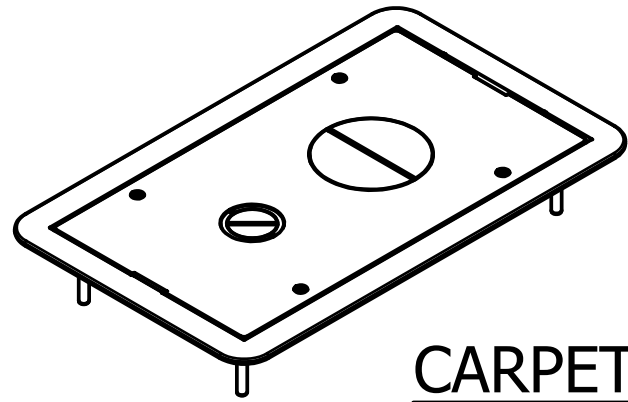
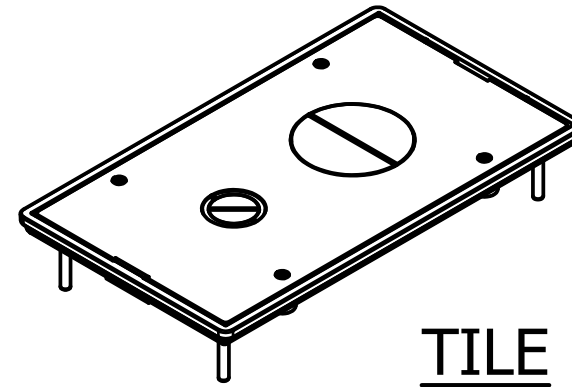


M-13405

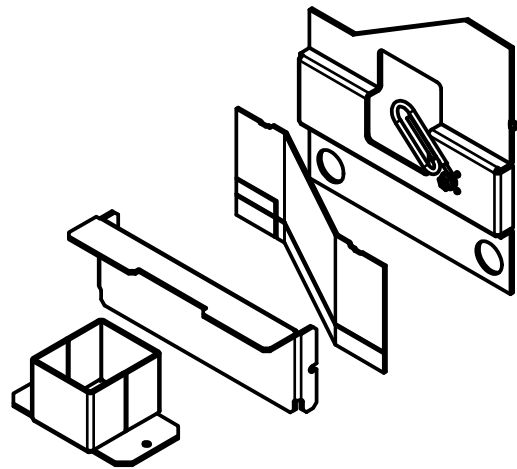
1



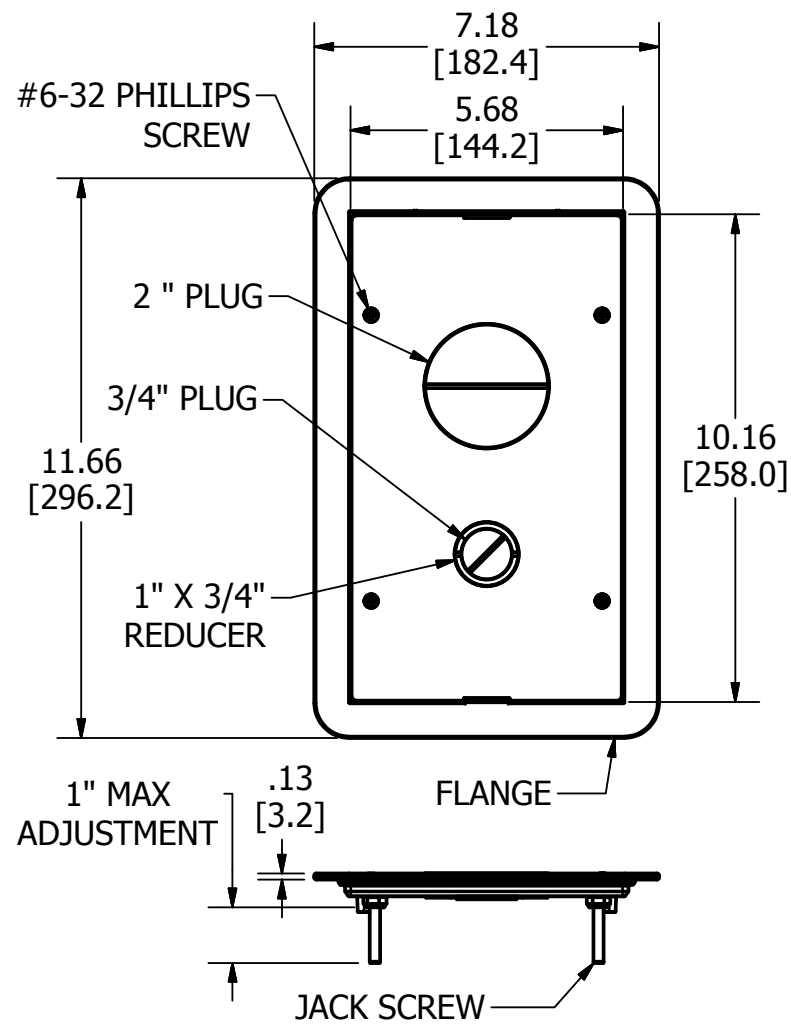
CARPET



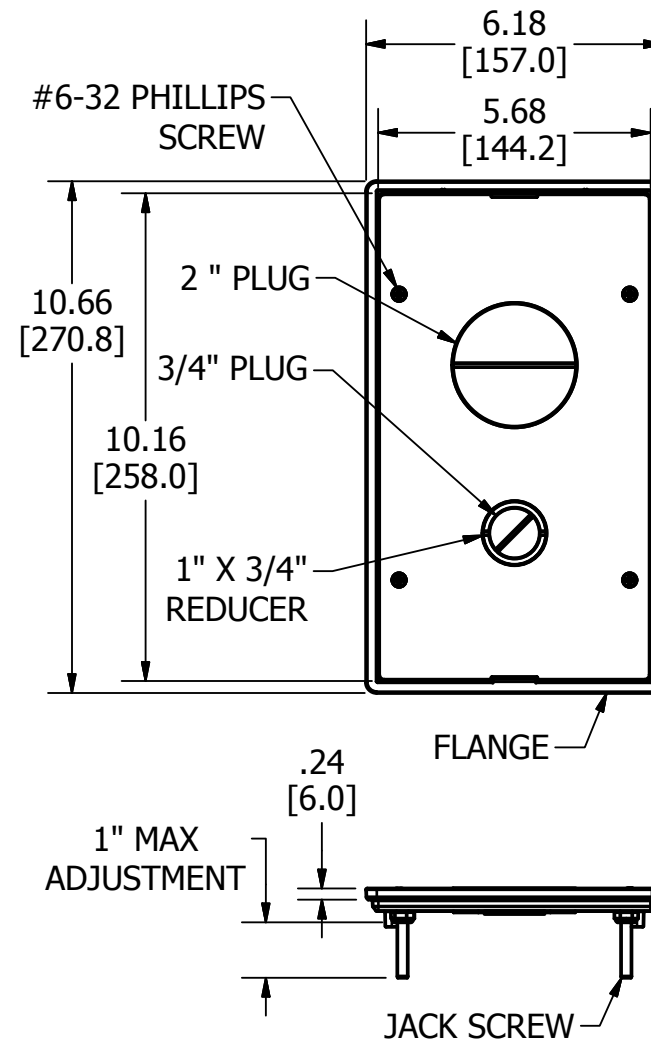
TILE



24GCFBFFDIV
LOW VOLTAGE FURNITURE FEED
DIVIDER KIT FOR 2 & 4 GANG
CONCRETE FLOOR BOX APPLICATIONS



CARPET	
CATALOG NO.	COLOR
24GCFFCVRNK	NICKEL
24GCFFCVRBK	BLACK
24GCFFCVRALU	ALUMINUM
24GCFFCVRBRS	BRASS
24GCFFCVRBRZ	BRONZE



TILE	
CATALOG NO.	COLOR
24GTFFCVRNK	NICKEL
24GTFFCVRBK	BLACK
24GTFFCVRALU	ALUMINUM
24GTFFCVRBRS	BRASS
24GTFFCVRBRZ	BRONZE

- NOTES:
- ALL DIMENSIONS ARE IN INCHES AND [MILLIMETERS].
 - ALL COVERS INCLUDE 24CFBFFDIV LOW VOLTAGE DIVIDER KITS

CODE 74545

LIST OF PARTS

DESCRIPTION	MATERIAL	FINISH
FLANGE	ALUMINUM	POWDER COAT
COVER	ALUMINUM	POWDER COAT
GASKETS	CLOSED CELL FOAM	
JACK SCREW	STEEL WIRE	ZINC PLATED
JACK SCREW NUT	CRS	ZINC PLATED
COVER SCREW	CRS	ZINC PLATED
2" PLUG	ALUMINUM	POWDER COAT
3/4"-1" PLUG	ALUMINUM	POWDER COAT
3/4" PLUG	ALUMINUM	POWDER COAT
2 GANG VERTICAL PARTITION	THERMOPLASTIC	NONE
4 GANG VERTICAL PARTITION	STEEL	ZINC PLATED
HORIZONTAL PARTITION	STEEL	ZINC PLATED
COVER PARTITION	STEEL	ZINC PLATED
GROUND WIRE	COPPER	

DIMENSION SHEET FOR CAT. NO. SEE TABLES

REPAIRABLE

NON-REPAIRABLE

B

M-13405

1

1	ORIGINAL RELEASE PER DCN 22262	SBW	8/19/2016
SYM	DESCRIPTION	APP	DATE

THE DESIGN AND DIMENSIONS OF THE PRODUCT SHOWN ON THIS DRAWING ARE SUBJECT TO CHANGE WITHOUT NOTICE

TITLE
2/4 GANG CONCRETE FLOOR BOX
FURNITURE FEED COVERS
CARPET / TILE

TOLERANCES UNLESS OTHERWISE SPECIFIED .XX = ± .01 .XXX = ± .005 ANGLES = ± 2°	WIRING DEVICE-KELLEMS HUBBELL INCORPORATED SHELTON, CT.		
	DR. BY	SBW	APP. BY
	TR. BY		SCALE 1:4
	CHK'D BY		DATE 8/8/2016