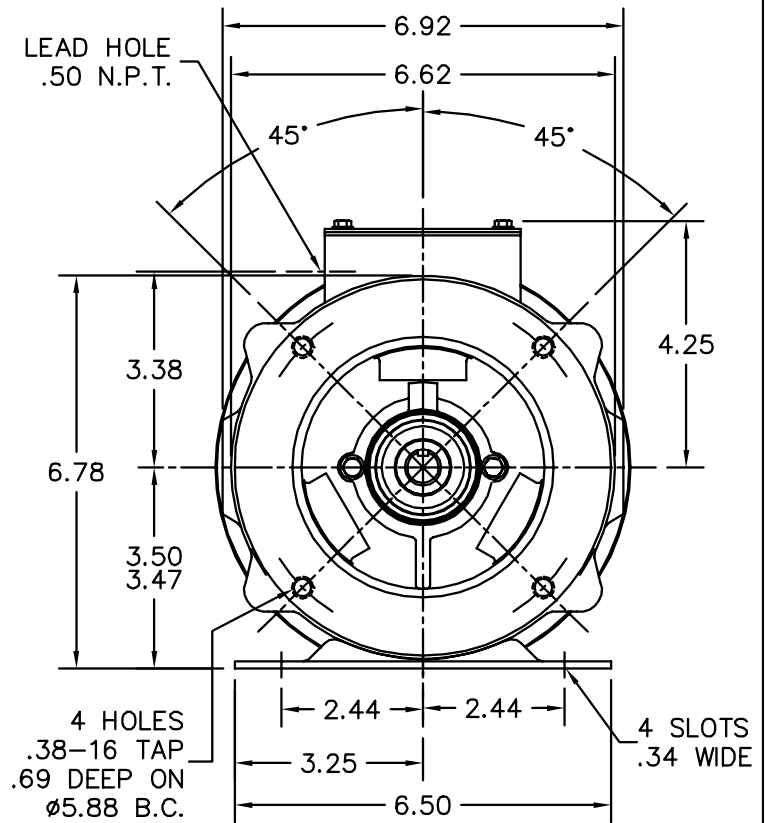
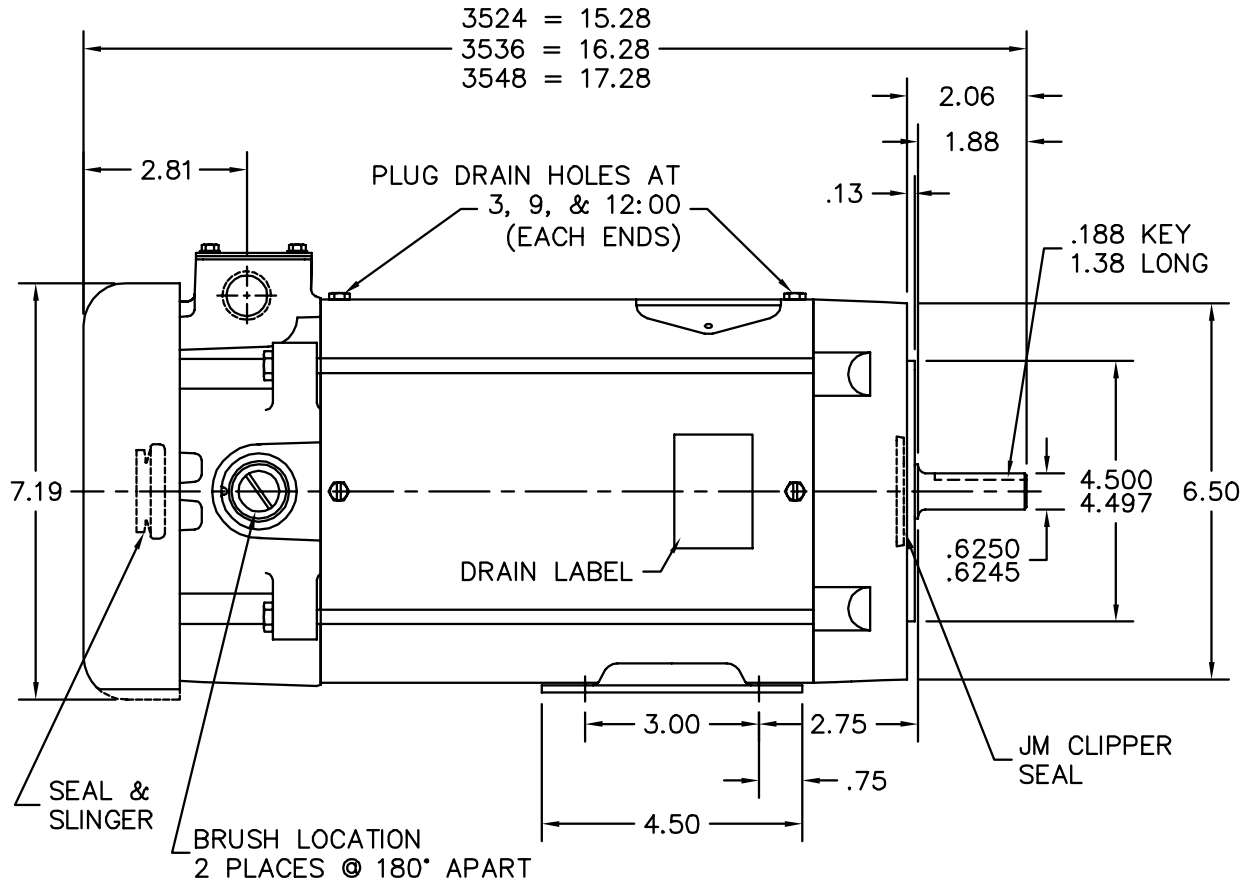
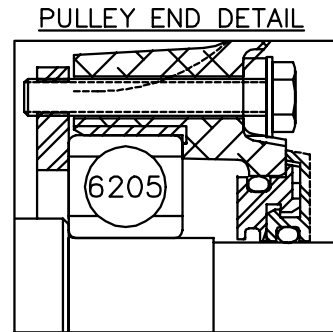
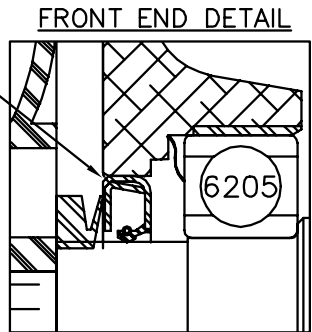


35LYP634



APPLY COAT OF SEALER TO HOUSING BEFORE PRESSING IN SEAL



CUSTOMER IS RESPONSIBLE FOR DETERMINING THAT BALDOR'S PRODUCT WILL PERFORM SUITABLY IN THE INTENDED APPLICATION.

REV. DESC: MOVE SLINGER/SEAL TO PROPER PLACE, ADD SEALER NOTE		
REV. LTR: F	VERSION: 03	TDR: 000001063500
FILE: \AAA\00043\269	REVISED: 01:38:34 03/08/2018	BY: ENFRAJO
MTL: -		

**BALDOR**

STD HORZ 35PM TEFC NEMA 56C WD PAINT FREE (S/P 9-2)

SH 1 of 1

35LYP634