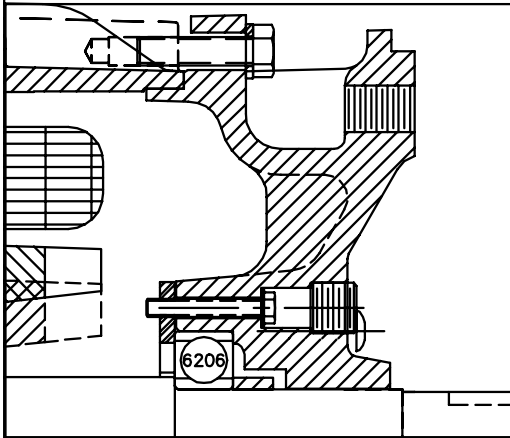
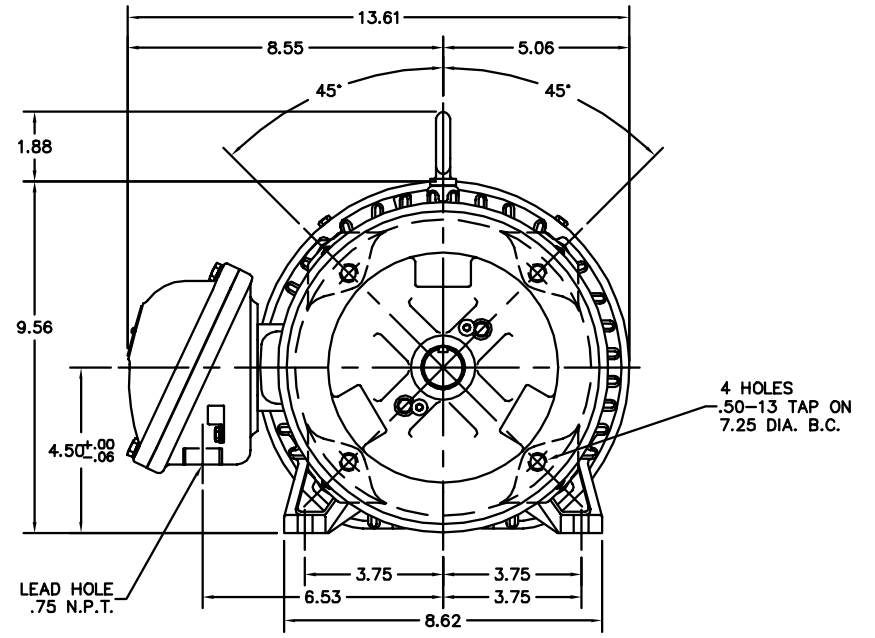
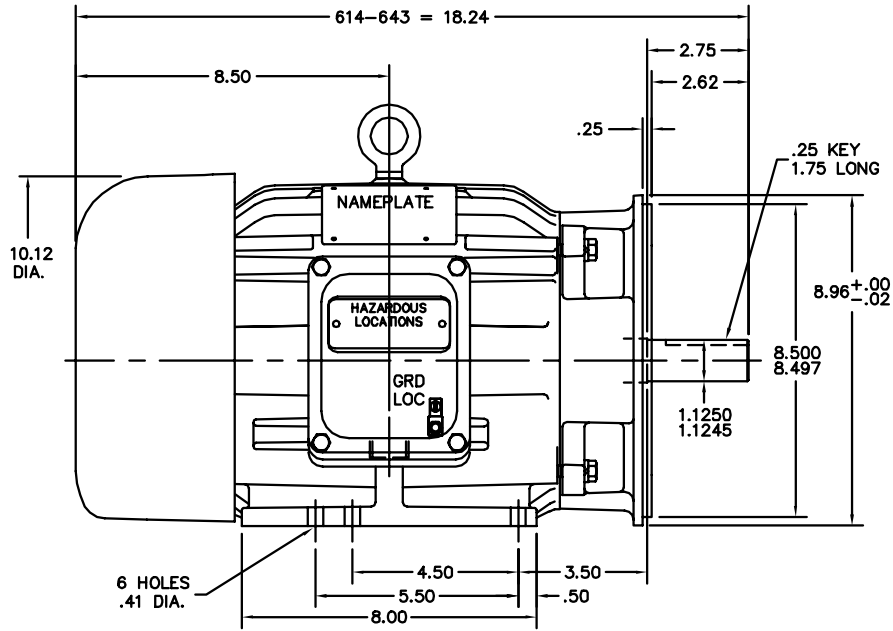


06LYJ010



PULLEY END DETAIL

CUSTOMER IS RESPONSIBLE FOR DETERMINING THAT BALDOR'S PRODUCT WILL PERFORM SUITABLY IN THE INTENDED APPLICATION.

|                           |                              |                  |
|---------------------------|------------------------------|------------------|
| REV. DESC: UPDATED STACKS |                              |                  |
| REV. LTR: E               | VERSION: 01                  | TDR: 00000578255 |
| FILE: \AAA\00027\975      | REVISED: 10:46:12 01/28/2011 | BY: ENBRAMO      |
| MTL: -                    |                              |                  |

**BALDOR**

HORZ 182-4TC XPFC 06M CL I GP-D (INVERTER DUTY)

SH 1 of 1

010P1790