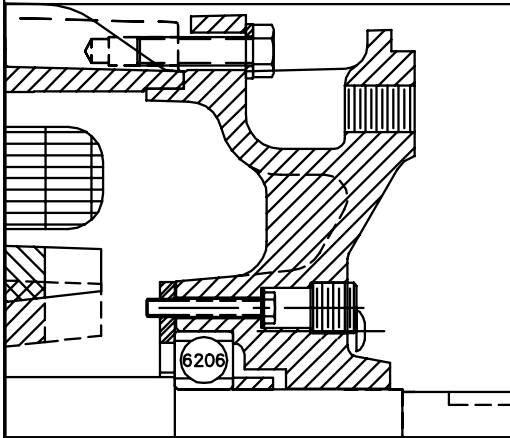
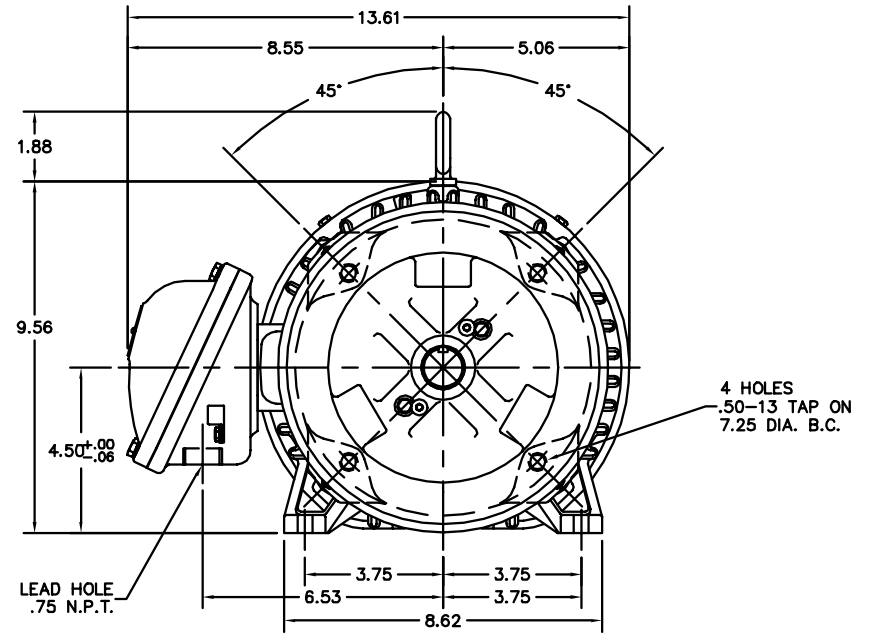
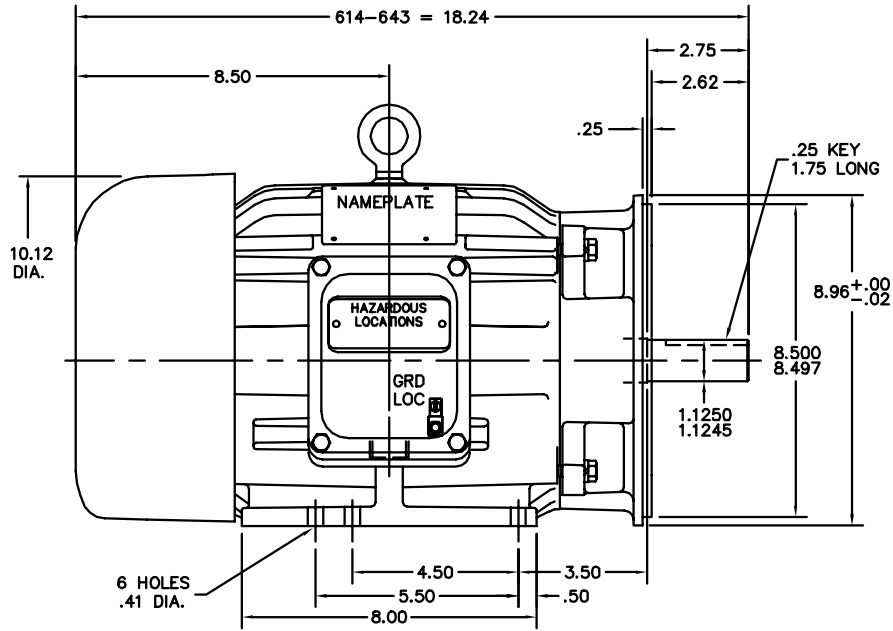


06LYJ010



PULLEY END DETAIL

CUSTOMER IS RESPONSIBLE FOR DETERMINING THAT BALDOR'S PRODUCT WILL PERFORM SUITABLY IN THE INTENDED APPLICATION.

REV. DESC: UPDATED STACKS		
REV. LTR: E	VERSION: 01	TDR: 000000578255
FILE: \AAA\00027\975	REVISED: 10:46:12 01/28/2011	BY: ENBRAMO
MTL: -		

BALDOR

HORZ 182-4TC XPFC 06M CL I GP-D (INVERTER DUTY)

SH 1 of 1

010P1790