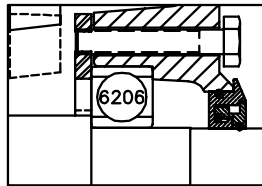
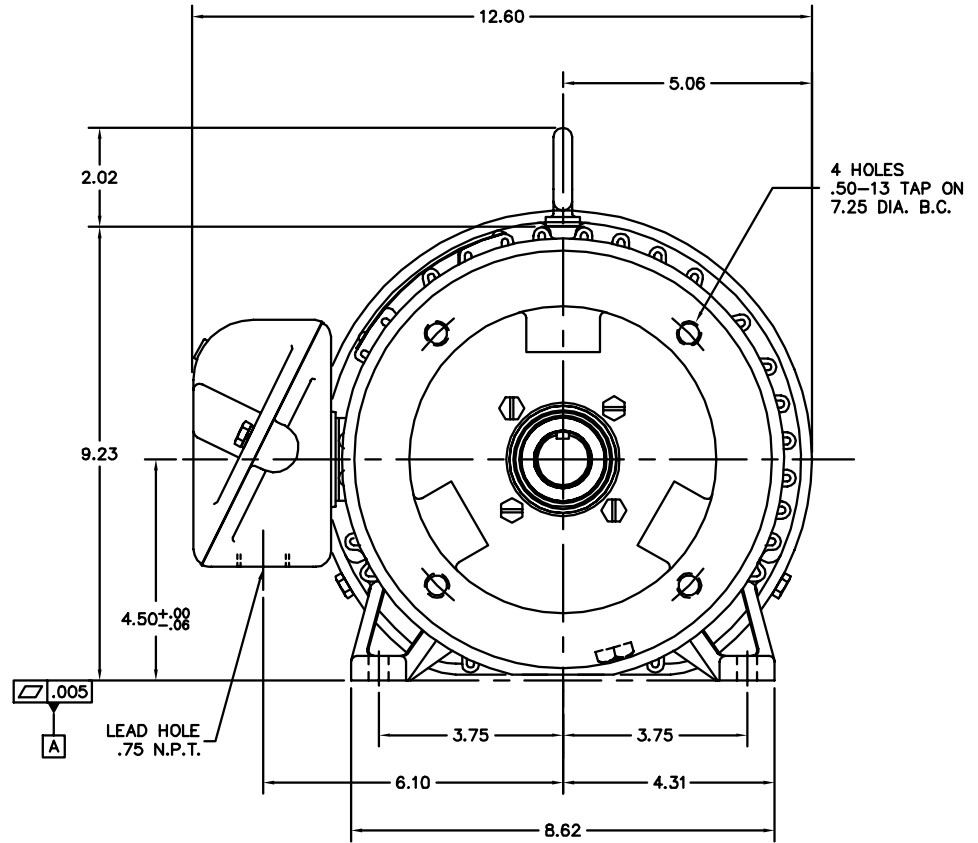


FRONT END DETAIL



PULLEY END DETAIL



CUSTOMER IS RESPONSIBLE FOR DETERMINING THAT BALDOR'S PRODUCT WILL PERFORM SUITABLY IN THE INTENDED APPLICATION.

REV. DESC: REVISE DESCRIPTION		
REV. LTR: C	VERSION: 03	TDR: 000000595245
FILE: \AAA\00123\150	REVISED: 08:30:13 05/18/2011	BY: ENBRAMO
MTL: -		

**BALDOR**

STD HORZ 182-4TC TEFC 06M ECP IEEE841 (614-643)

SH 1 of 1