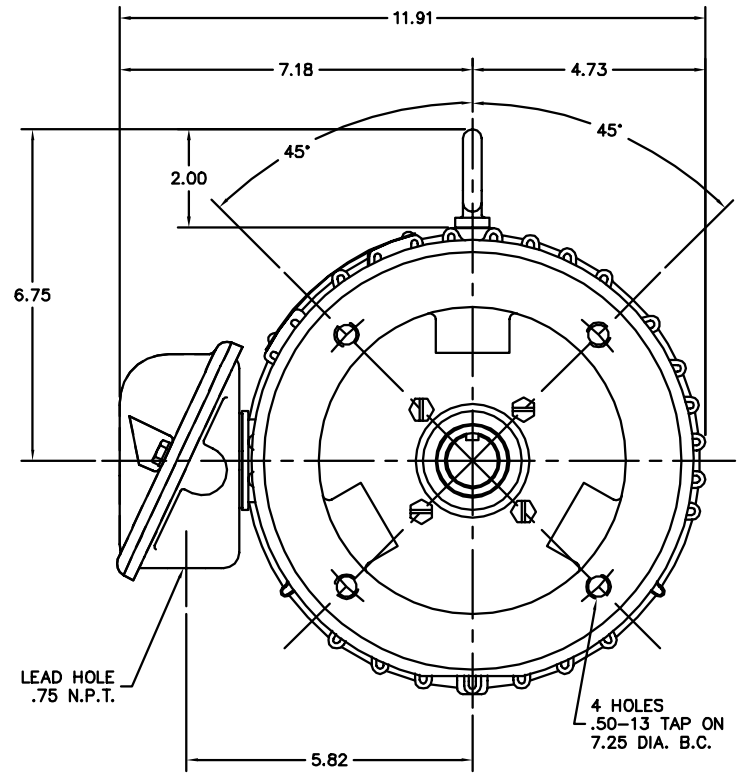


OMIT LOCKWASHER & USE RED SEALER UNDER RETAINER SCREW HEAD



CUSTOMER IS RESPONSIBLE FOR DETERMINING THAT BALDOR'S PRODUCT WILL PERFORM SUITABLY IN THE INTENDED APPLICATION.

REV. DESC: ADD "AUX" NP AND CALL-OUT	VERSION: 05	TDR: 000000869772
REV. LTR: E	REvised: 02:05:26 09/11/2014	BY: ENTROEO
FILE: \AAA\00138\658		
MTL: -		

BALDOR

STD VERT 182-4TC TEFC M CP W/6206 BRGS, LIPPED LID, DRIP COV

SH 1 of 1