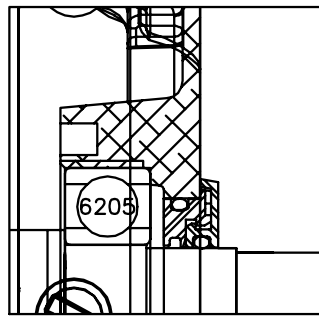


FRONT END DETAIL



PULLEY END DETAIL

CUSTOMER IS RESPONSIBLE FOR DETERMINING THAT BALDOR'S PRODUCT WILL PERFORM SUITABLY IN THE INTENDED APPLICATION.

REV. DESC: UPDATE ENDPLATES AND NOTES

REV. LTR: D

VERSION: 04

TDR: 000001072148

FILE: \AAA\00209\358

REVISED: 01:12:19 05/24/2018

BY: USJOBUR22

MTL: -



BALDOR - RELIANCE®

HOR 143-5T TEFC M WD F3 ENCAP W/JM CLIP SEAL

SH 1 of 1