

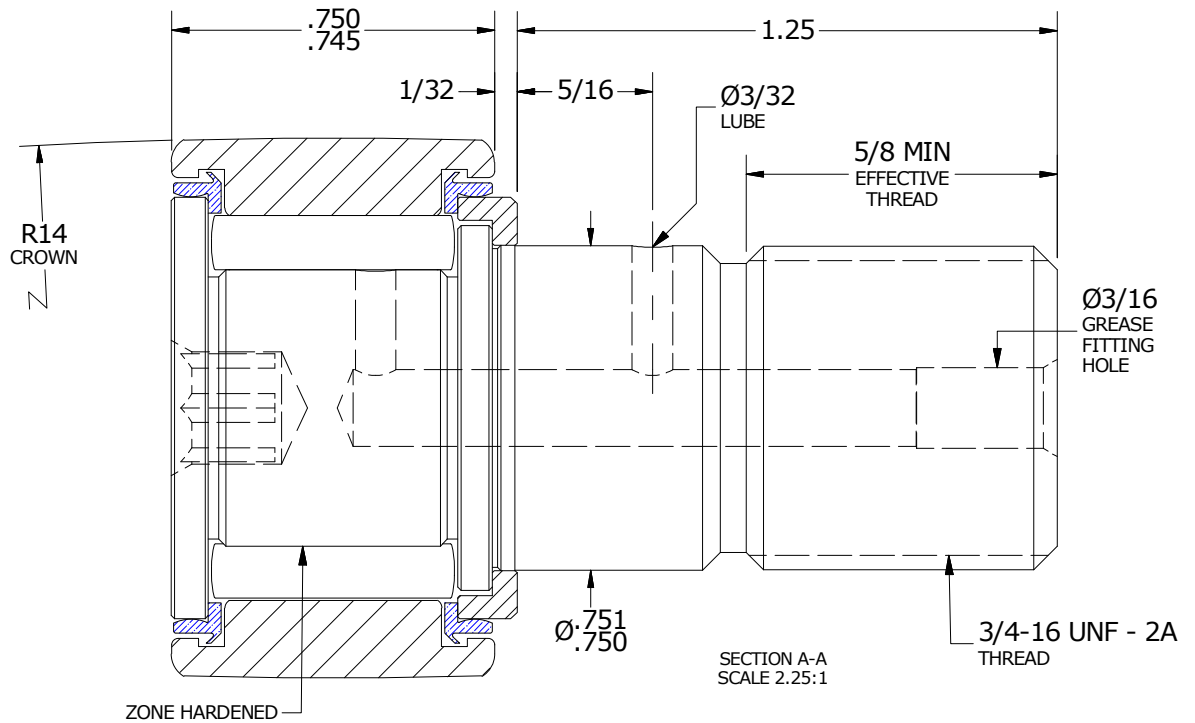
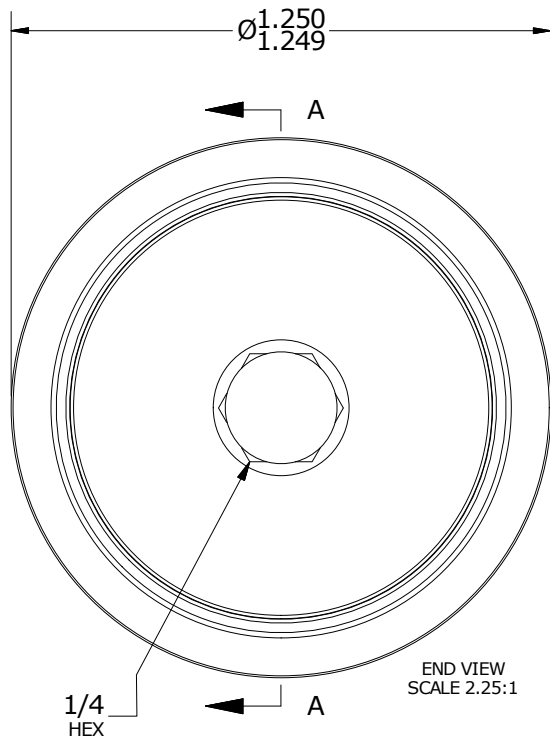
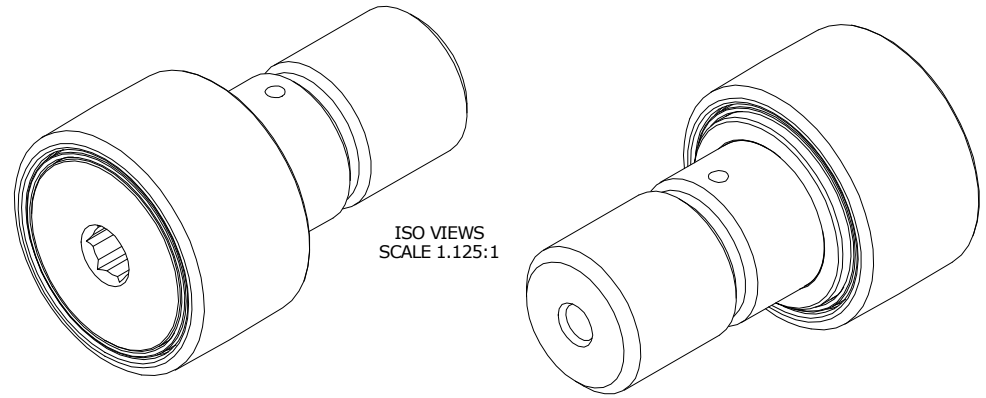
| LOAD RATINGS | | |
|-------------------------|-------|---------|
| RATING | lbf | Newtons |
| RADIAL BASIC DYNAMIC | 3,930 | 17,481 |
| MAXIMUM STATIC CAPACITY | 8,500 | 37,810 |

- NOTES:
1. BEARING IS PACKED WITH NLGI GRADE 2, LITHIUM BASED GREASE (UNLESS OTHERWISE SPECIFIED)
 2. ALL EXPOSED STEEL SURFACES HAVE BLACK OXIDE
 3. LIMITING SPEED:
A. GREASE = 3,100 RPM

| | | | |
|--------|---------|-------------|-------------|
| MS NO. | NSN NO. | DRAWING NO. | CCNBH-40-SB |
|--------|---------|-------------|-------------|

| RECOMMENDED MOUNTING HOLE Ø | | |
|-----------------------------|-------|---------|
| Limit | Inch | mm |
| MIN | .7500 | 19.0500 |
| MAX | .7505 | 19.0627 |

| MAXIMUM CLAMPING TORQUE | | |
|-------------------------|----------|------|
| Thread Type | Inch Lbs | Nm |
| DRY | 1,250 | 141 |
| LUBRICATED | 625 | 70.5 |



MATERIAL NOTES:

- OUTER RING - BEARING STEEL, HEAT TREATED
- STUD - BEARING STEEL, ZONE HARDENED
- NEEDLE ROLLER(S) - BEARING STEEL, HEAT TREATED
- WASHER - BEARING STEEL, HEAT TREATED
- SEAL(S) - SYNTHETIC

| | |
|-------------------------------|---|
| CUSTOMER PART# | XX = ± .01 XXX = ± .005 XXXX = ± .0005 ANGLES = ± 1' INCH [METRIC] FRACTION = ± 1/32 |
| ENGINEERING CHANGE ORDER NOTE | |

CARTER MANUFACTURING IS NOT RESPONSIBLE FOR TYPOGRAPHICAL ERRORS

CARTER MANUFACTURING CO., INC.
GRAND HAVEN, MICHIGAN 49417

| REVISION | | PART NAME: ASSEMBLY | | | PRODUCT TYPE: CNB | |
|--------------------|------------------|---------------------|------------------|-------------------|-------------------|--|
| D | AUTHOR BY MD | DRAWN BY KPR | CHK'D BY MD | SALES HG | MATERIAL NOTED | |
| REVISION BY SGW | DATE 6/7/2016 | DATE 11/3/1993 | DATE 6/2/2016 | DATE 6/13/2016 | SHEET 1 OF 2 | |