

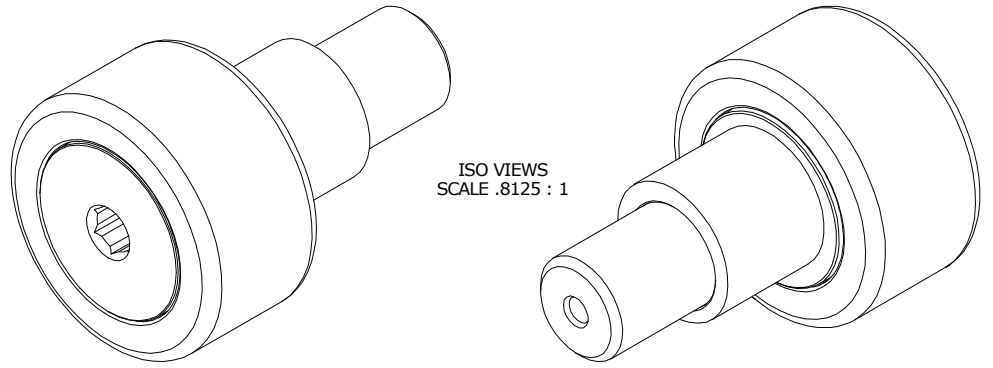
LOAD RATINGS		
RATING	lbf	Newtons
RADIAL BASIC DYNAMIC	6,385	28,402
MAXIMUM STATIC CAPACITY	7,920	35,230

RECOMMENDED MOUNTING HOLE Ø		
Limit	Inch	mm
MIN	1.002	25.451
MAX	1.004	25.502

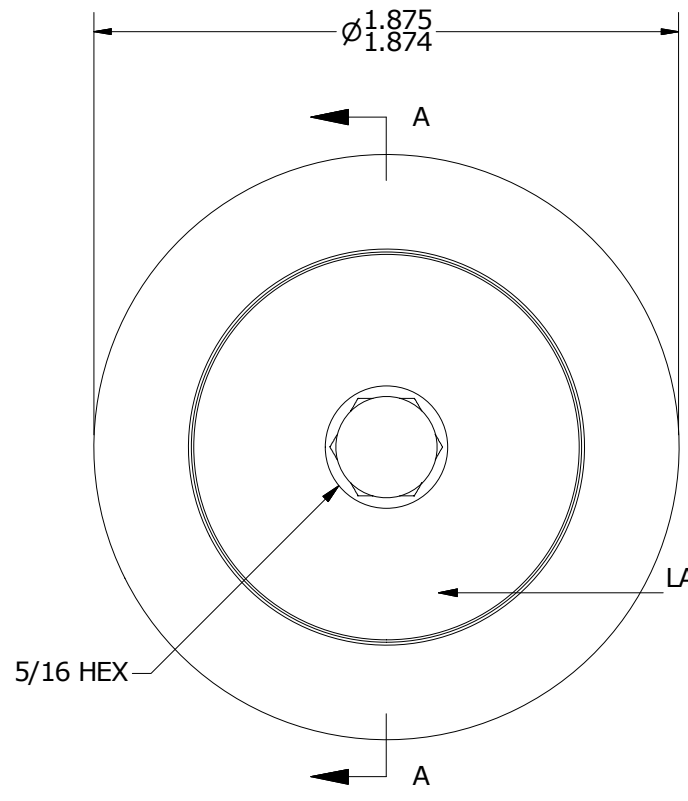
MAXIMUM CLAMPING TORQUE		
Thread Type	Inch lbf	Nm
DRY	1,250	141
LUBRICATED	625	70.5

- NOTES:
1. BEARING IS PACKED WITH NLGI GRADE 2, LITHIUM BASED GREASE UNLESS OTHERWISE SPECIFIED
 2. ALL EXPOSED SURFACES HAVE BLACK OXIDE
 3. CUSTOM LASER ETCHING AVAILABLE UPON REQUEST
 4. LIMITING SPEED:
 - A. GREASE = 2,000 RPM

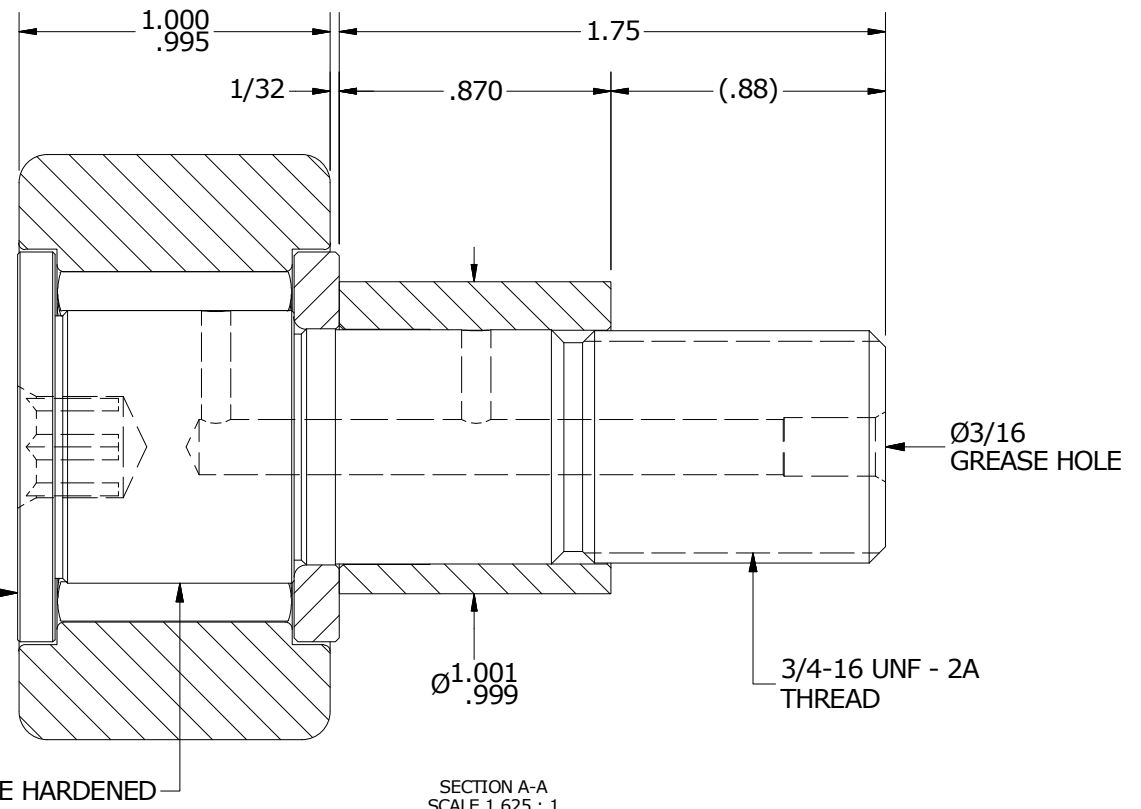
MS NO. _____ NSN NO. _____ DRAWING NO. _____



ISO VIEWS
SCALE .8125 : 1



END VIEW
SCALE 1.625 : 1



SECTION A-A
SCALE 1.625 : 1

MATERIAL NOTES:

- OUTER RING - BEARING STEEL, HEAT TREATED
- STUD - BEARING STEEL, ZONE HARDENED
- NEEDLE ROLLERS - BEARING STEEL, HEAT TREATED
- WASHER - BEARING STEEL, HEAT TREATED
- ECCENTRIC SLEEVE - STEEL

CUSTOMER PART# _____
 XX = ± .01
 XXX = ± .005
 XXXX = ± .0005
 ANGLES = ± 1'
 INCH [METRIC]
 FRACTION = ± 1/32

CARTER MANUFACTURING IS NOT RESPONSIBLE FOR TYPOGRAPHICAL ERRORS

CARTER MANUFACTURING CO., INC.
 GRAND HAVEN, MICHIGAN 49417

ENGINEERING CHANGE ORDER NOTE

REVISION		PART NAME: Assembly			PRODUCT TYPE: CNBE	
B	AUTHOR BY HG	DRAWN BY JAF	CHK'D BY SGW	SALES KPR	MATERIAL NOTED	
REVISION BY MD	DATE 8/13/2019	DATE 7/13/2006	DATE 8/12/2019	DATE 7/12/2006	SHEET 1 OF 2	