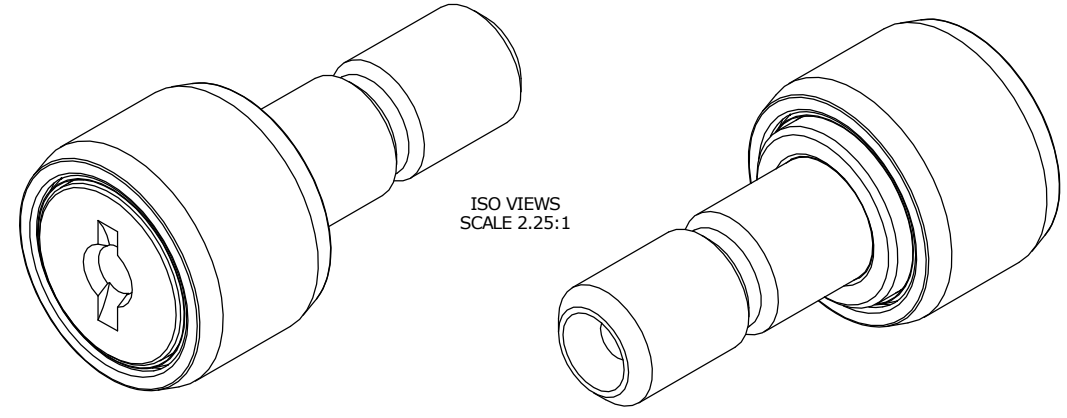


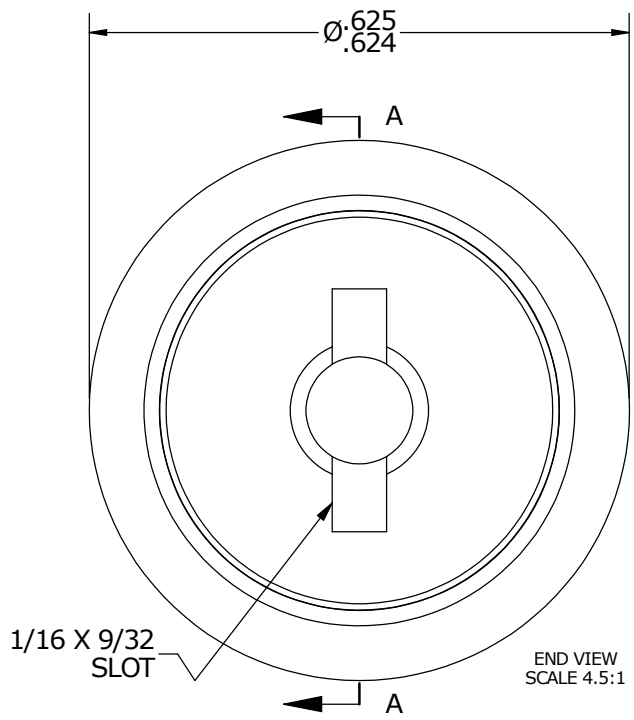
LOAD RATINGS	
RATING	Lbs
RADIAL BASIC DYNAMIC	955
MAXIMUM STATIC CAPACITY	2,480

NOTES:
 1. BEARING IS PACKED WITH NLGI GRADE 2, LITHIUM BASED GREASE
 2. ALL EXPOSED SURFACES HAVE BLACK OXIDE

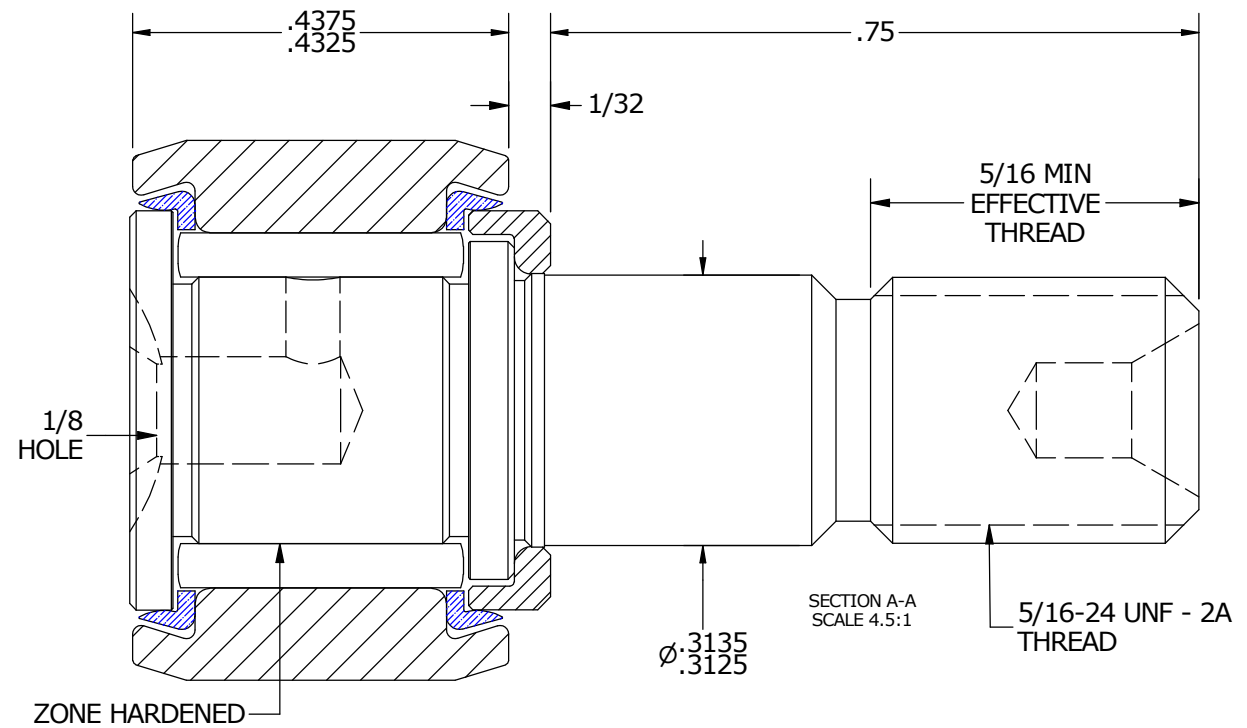
MS NO. _____ NSN NO. _____ DRAWING NO. CNBH-20-S



ISO VIEWS
SCALE 2.25:1



END VIEW
SCALE 4.5:1



SECTION A-A
SCALE 4.5:1

MATERIAL NOTES:
 OUTER RACE - BEARING STEEL, HEAT TREATED
 STUD - BEARING STEEL, ZONE HARDENED
 NEEDLE ROLLER - BEARING STEEL, HEAT TREATED
 WASHER - COLD ROLLED STEEL, HEAT TREATED
 SEAL - SYNTHETIC

CUSTOMER PART# _____
 XX = ± .01
 XXX = ± .005
 XXXX = ± .0005
 ANGLES = ± 1'
 INCH [METRIC]
 FRACTION = ± 1/32

CARTER MANUFACTURING IS NOT RESPONSIBLE FOR TYPOGRAPHICAL ERRORS

CARTER MANUFACTURING CO., INC.
 GRAND HAVEN, MICHIGAN 49417

ENGINEERING CHANGE ORDER NOTE	
B	
REVISION BY	DATE
SGW	5/12/2014

REVISION		PART NAME: ASSEMBLY					
AUTHOR BY	DRAWN BY	CHK'D BY	SALES	MATERIAL	DATE	SHEET	
HG	JAF	MD	KR	NOTED	5/12/2014	1 OF 2	
DATE	DATE	DATE	DATE	DATE	DATE	DATE	
5/12/2014	6/20/2006	5/12/2014	5/12/2014	5/12/2014	5/12/2014	1 OF 2	