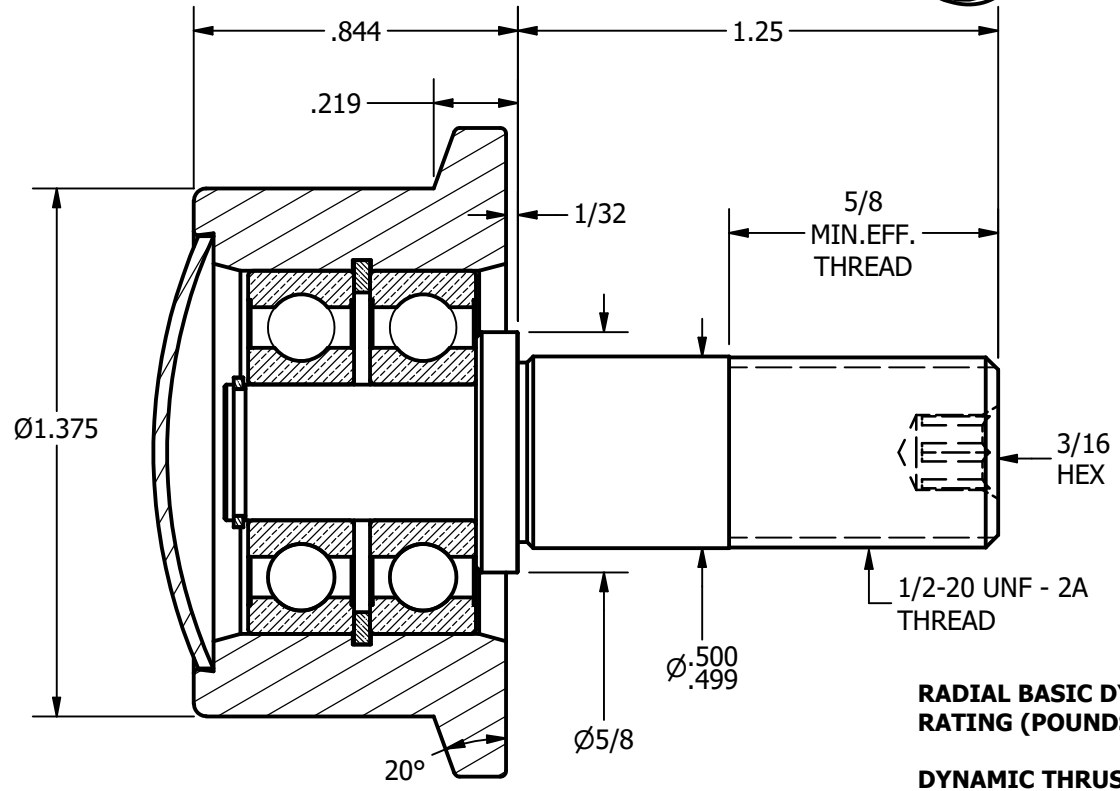
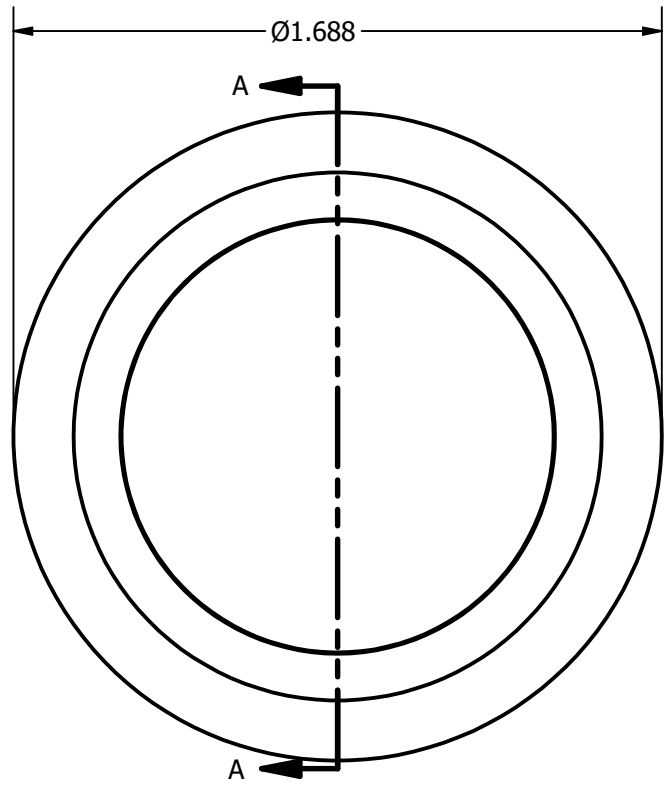
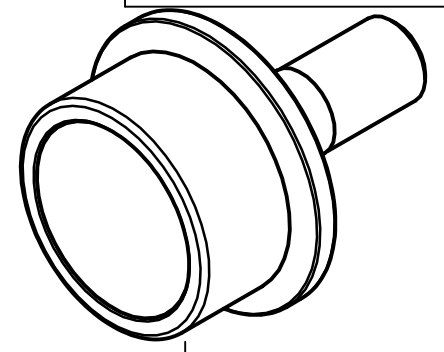


NOTES:
1. BEARING COMES PACKED WITH GREASE



RADIAL BASIC DYNAMIC RATING (POUNDS) 1,350

DYNAMIC THRUST LOAD RATING (POUNDS) 830

MAXIMUM STATIC CAPACITY (POUNDS) 600

MATERIAL NOTES:
OUTER - BEARING STEEL, HEAT TREATED
STUD - COLD ROLLED STEEL
BEARING ASSY. - 609.2RS
SNAP RINGS - SPRING STEEL
END CAP - COLD ROLLED STEEL

CUSTOMER PART#
 .XX = ± .01
 .XXX = ± .005
 .XXXX = ± .0005
 ANGLES = ± 1'
 INCH [METRIC]
 CHANGE NOTE:

CARTER MANUFACTURING IS NOT RESPONSIBLE FOR TYPOGRAPHICAL ERRORS

CARTER MANUFACTURING CO., INC.
 GRAND HAVEN, MICHIGAN 49417

REVISION		PART NAME: ASSEMBLY			SHEET 1 OF 2	
A	AUTHOR. BY	DRAWN BY	CHK'D BY	SALES	MATERIAL	
	DB	SGW	MD	KR	NOTED	
REV. BY	DATE	DATE	DATE	DATE	DRAWING NO.	
SGW	3/24/2009	2/20/2009	3/24/2009	3/16/2009	FHR-137-A	