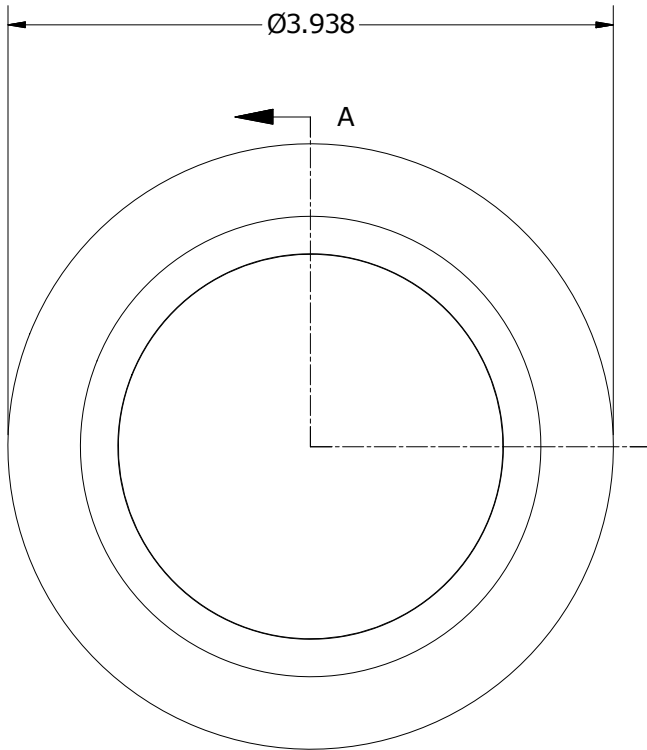
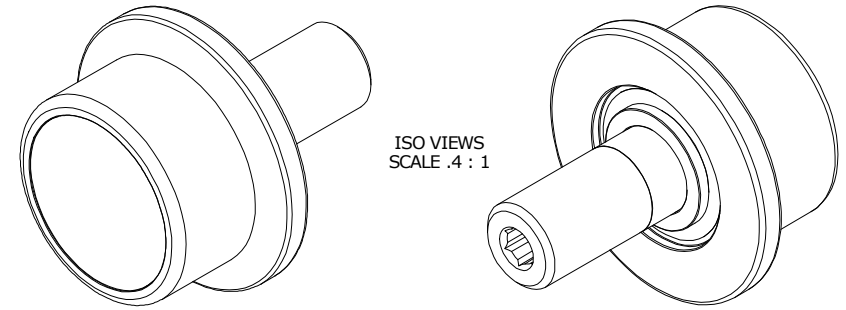
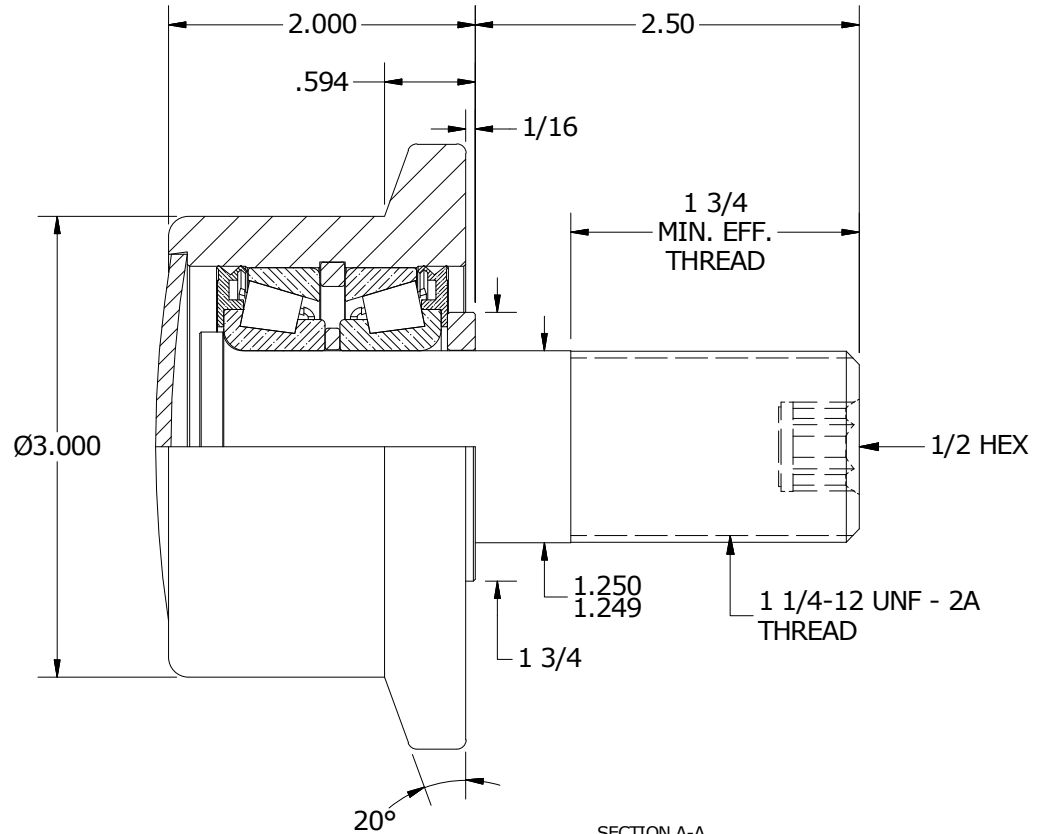


LOAD RATINGS	
RATING	Lbs
RADIAL BASIC DYNAMIC	14,200
DYNAMIC THRUST LOAD	13,000
MAXIMUM STATIC CAPACITY	26,000

- NOTES:
 1. BEARING IS PACKED WITH NLGI GRADE 2, LITHIUM BASED GREASE
 2. STUD, END CAP, & WASHER: ALL EXPOSED SURFACES HAVE BLACK OXIDE



END VIEW
SCALE .8 : 1



SECTION A-A
SCALE .8 : 1

MATERIAL NOTES:

- OUTER ROLLER - BEARING STEEL, HEAT TREATED
- STUD - COLD ROLLED STEEL
- BEARING ASSEMBLY - LM67000LA-902A2
- WASHER - COLD ROLLED STEEL
- END CAP - COLD ROLLED STEEL

CUSTOMER PART#

XX = ± .01
 XXX = ± .005
 XXXX = ± .0005
 ANGLES = ± 1'
 INCH [METRIC]
 FRACTION = ± 1/32

CARTER MANUFACTURING IS NOT RESPONSIBLE FOR TYPOGRAPHICAL ERRORS

CARTER MANUFACTURING CO., INC.
 GRAND HAVEN, MICHIGAN 49417

ENGINEERING CHANGE ORDER NOTE

REVISION

PART NAME: ASSEMBLY

D

AUTHOR BY
HG

DRAWN BY
GJP

CHK'D BY
SGW

SALES
SC

MATERIAL
NOTED

REVISION BY
MD

DATE
2/14/2017

DATE
3/16/2001

DATE
2/14/2017

DATE
4/18/2010

SHEET
1 OF 2