

LOAD RATINGS	
RATING	Lbs
RADIAL BASIC DYNAMIC	14,200
LOAD	
DYNAMIC THRUST LOAD	13,000
MAXIMUM STATIC CAPACITY	26,000

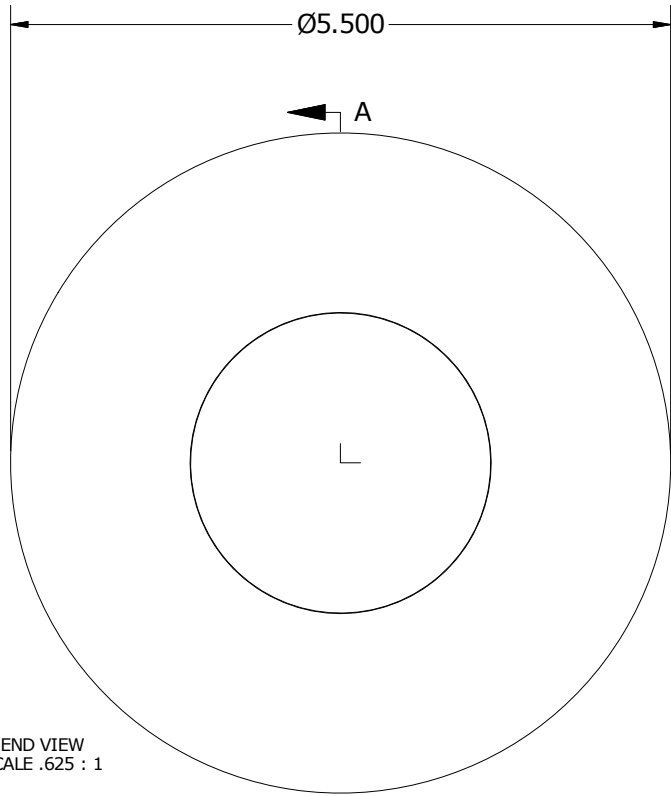
NOTES:

1. BEARING IS PACKED WITH NLGI GRADE 2, LITHIUM BASED GREASE (UNLESS OTHERWISE SPECIFIED)
2. STUD, END CAP, & WASHER: ALL EXPOSED SURFACES HAVE BLACK OXIDE

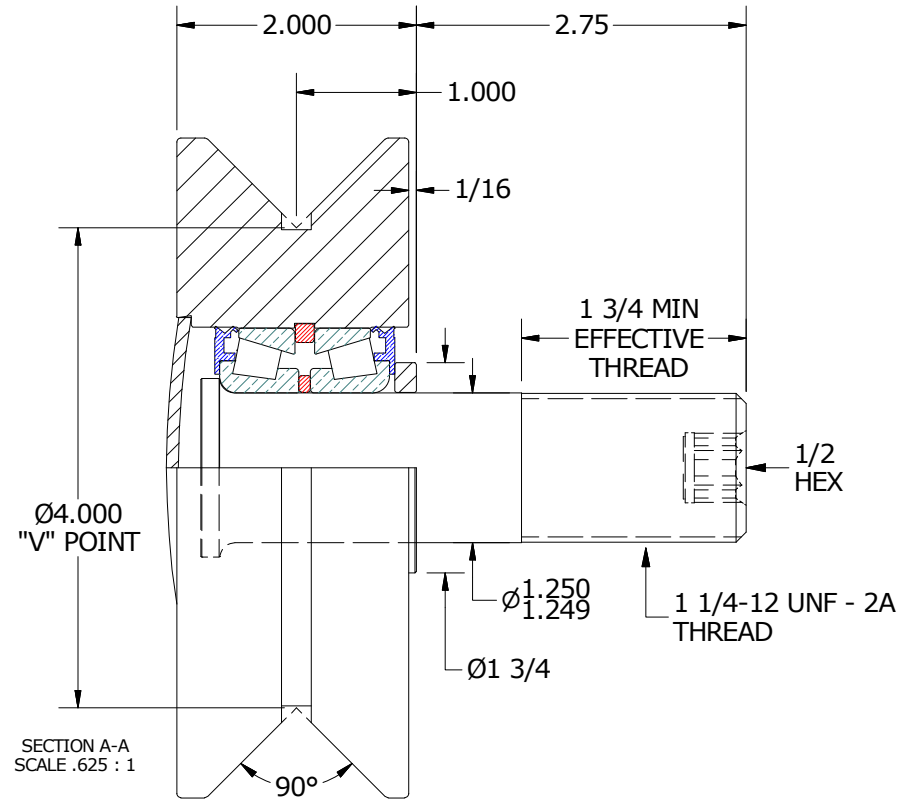
MS NO.	NSN NO.	DRAWING NO.	VHR-550-A
--------	---------	-------------	-----------



ISO VIEWS
SCALE .313:1



END VIEW
SCALE .625 : 1



SECTION A-A
SCALE .625 : 1

MATERIAL NOTES:

- OUTER ROLLER - BEARING STEEL, HEAT TREATED
- STUD - COLD ROLLED STEEL
- BEARING ASSEMBLY - LM67000LA-902A2
- WASHER - COLD ROLLED STEEL
- END CAP - COLD ROLLED STEEL

CUSTOMER PART#

XX = ± .01
XXX = ± .005
XXXX = ± .0005
ANGLES = ± 1'
INCH [METRIC]
FRACTION = ± 1/32

CARTER MANUFACTURING IS NOT RESPONSIBLE FOR TYPOGRAPHICAL ERRORS

CARTER MANUFACTURING CO., INC.

GRAND HAVEN, MICHIGAN 49417

ENGINEERING CHANGE ORDER NOTE

REVISION

PART NAME: ASSEMBLY

C

AUTHOR BY
HG

DRAWN BY
AJH

CHK'D BY
MD

SALES
KR

MATERIAL
NOTED

REVISION BY
SGW

DATE
3/31/2017

DATE
6/25/2002

DATE
3/31/2017

DATE
3/29/2017

SHEET
1 OF 2