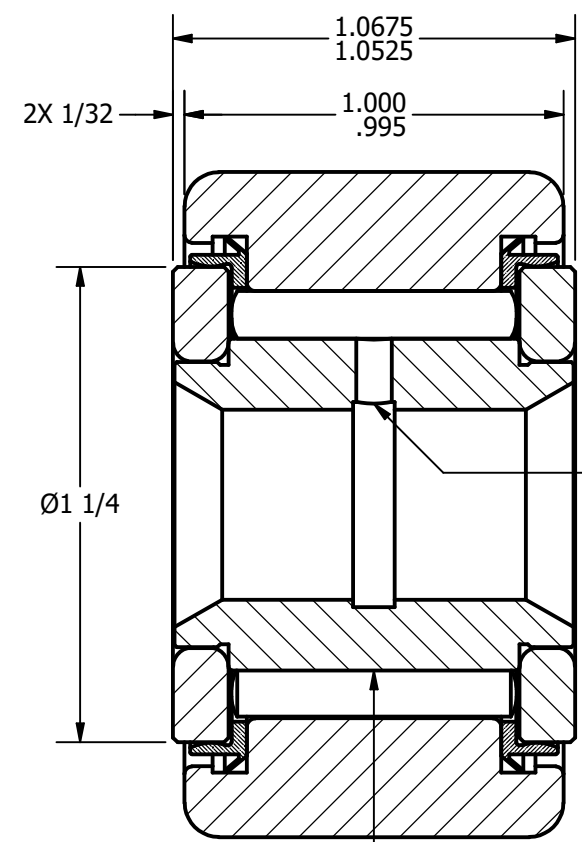
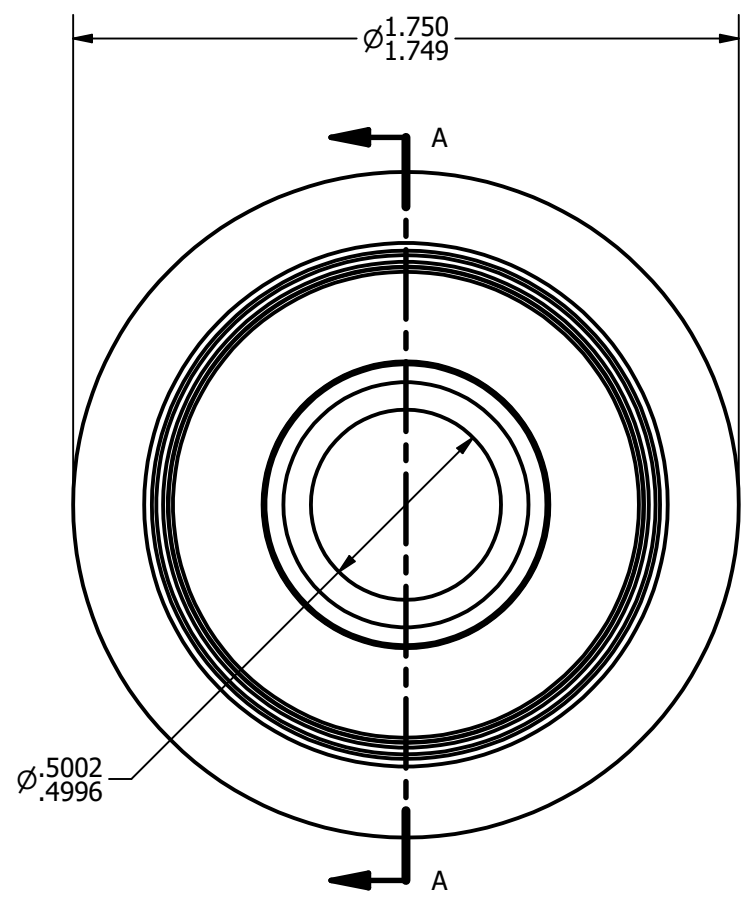
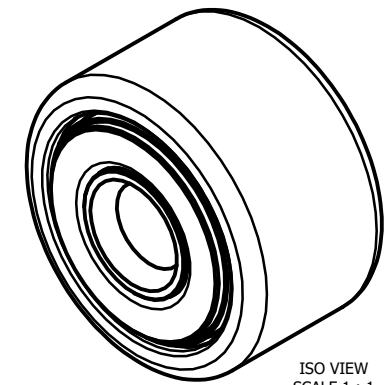


LOAD RATINGS	
RATING	Lbs
RADIAL BASIC DYNAMIC	6,385
MAXIMUM STATIC CAPACITY	15,840

- NOTES:
- BEARING IS PACKED WITH LITHIUM BASED #2 WEIGHT GREASE
  - ALL EXPOSED SURFACES HAVE BLACK OXIDE



SECTION A-A  
SCALE 2 : 1

MATERIAL NOTES:

OUTER RACE - BEARING STEEL, HEAT TREATED  
 STUD - BEARING STEEL, ZONE HARDENED  
 NEEDLE ROLLERS - BEARING STEEL, HEAT TREATED  
 WASHERS - COLD ROLLED STEEL, HEAT TREATED  
 SEALS - SYNTHETIC

CUSTOMER PART#	.XX = ± .01 .XXX = ± .005 .XXXX = ± .0005 ANGLES = ± 1' INCH [METRIC] FRACTION = ± 1/32
CHANGE NOTE:	

CARTER MANUFACTURING IS NOT RESPONSIBLE FOR TYPOGRAPHICAL ERRORS	
REVISION	
<b>B</b>	AUTHOR. BY
DB	GJP
REV. BY	DATE
MD	12/18/2012

<b>CARTER MANUFACTURING CO., INC.</b>					
GRAND HAVEN, MICHIGAN 49417					
PART NAME: ASSEMBLY			SHEET 1 OF 2		
	AUTHOR. BY	DRAWN BY	CHK'D BY	SALES	MATERIAL
	DB	GJP	SGW	KR	NOTED
	DATE	DATE	DATE	DATE	DRAWING NO.
	12/18/2012	11/16/1999	12/18/2012	11/14/1999	YNB-56-S