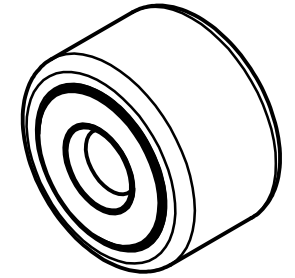
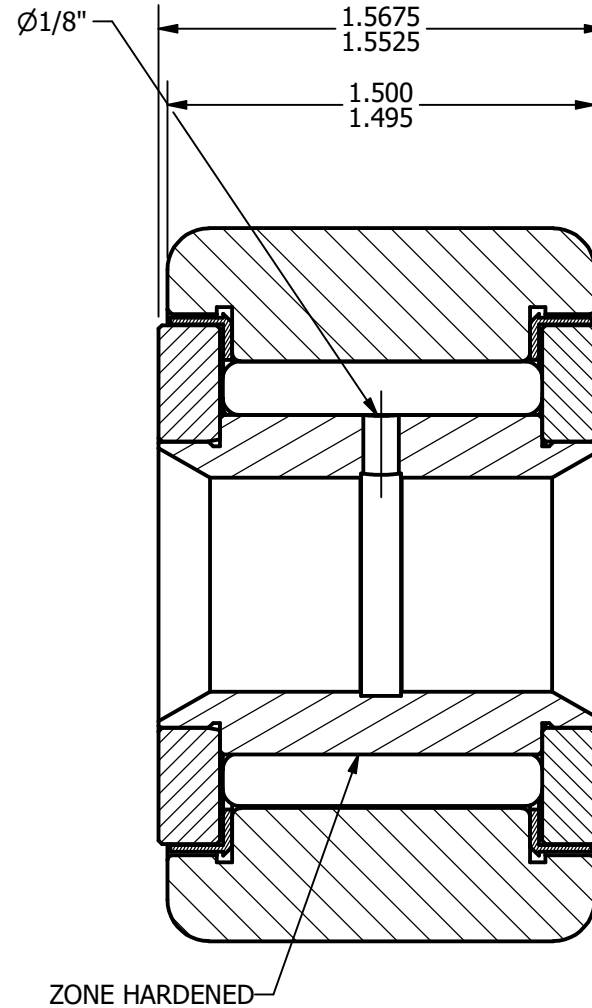
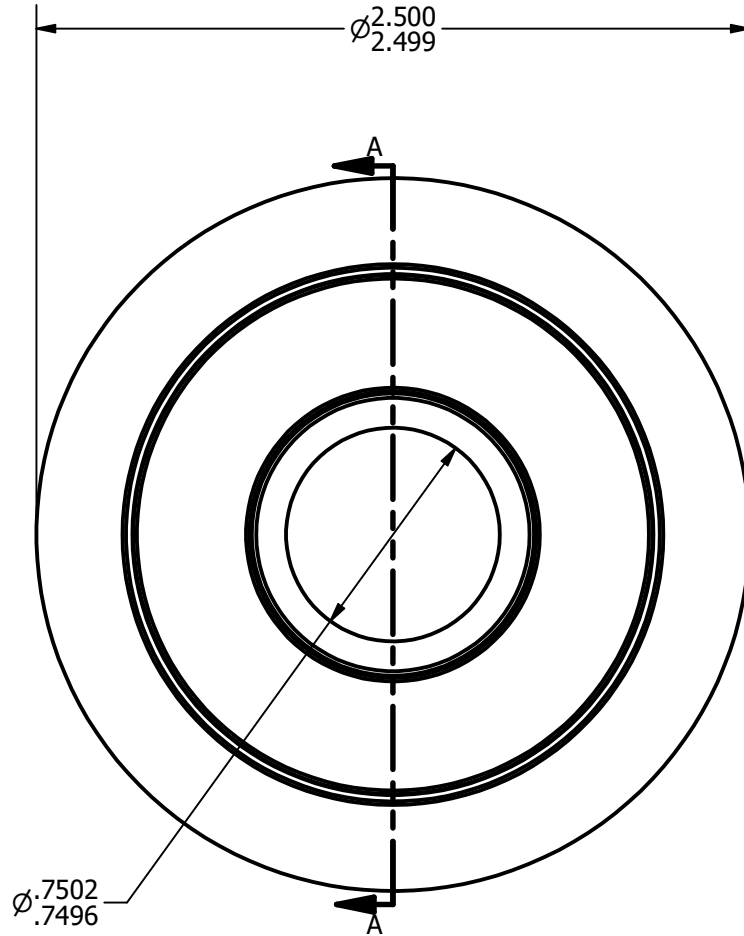


- NOTES:**
- 1. BEARING IS PACKED WITH GREASE**
 - 2. ALL EXPOSED SURFACES ARE BLACK OXIDED**



RADIAL BASIC DYNAMIC RATING (POUNDS) 11720

MAXIMUM STATIC CAPACITY (POUNDS) 32900

MATERIAL NOTES:

OUTER - BEARING STEEL, HEAT TREATED
STUD - BEARING STEEL, ZONE HARDENED
ROLLERS - BEARING STEEL, HEAT TREATED
WASHERS - COLD ROLLED STEEL, HEAT TREATED
SEALS - SYNTHETIC

CUSTOMER PART#

.XX = $\pm .01$
 .XXX = $\pm .005$
 .XXXX = $\pm .0005$
 ANGLES = $\pm 1'$
 INCH [METRIC]

CARTER MANUFACTURING IS NOT RESPONSIBLE FOR TYPOGRAPHICAL ERRORS

CARTER MANUFACTURING CO., INC.

GRAND HAVEN, MICHIGAN 49417

REVISION

PART NAME: ASSEMBLY

SHEET 1 OF 2

B

AUTHOR. BY

DRAWN BY

CHK'D BY

SALES

MATERIAL

DB

JAF

SGW

KPR

NOTED

REV. BY

DATE

DATE

DATE

DATE

DRAWING NO.

MD

1/30/2009

8/7/2006

1/30/2009

8/2/2006

YNB-80-S