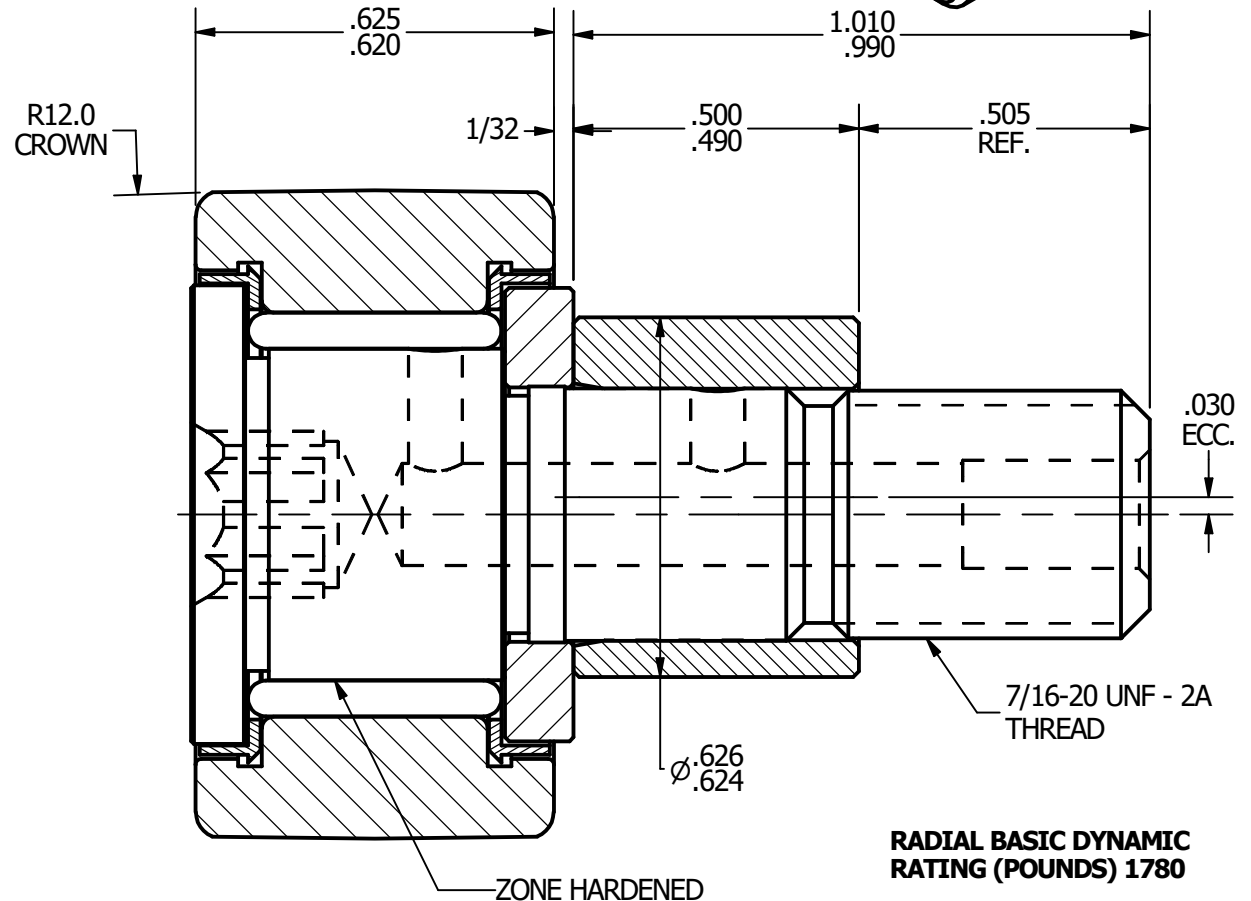
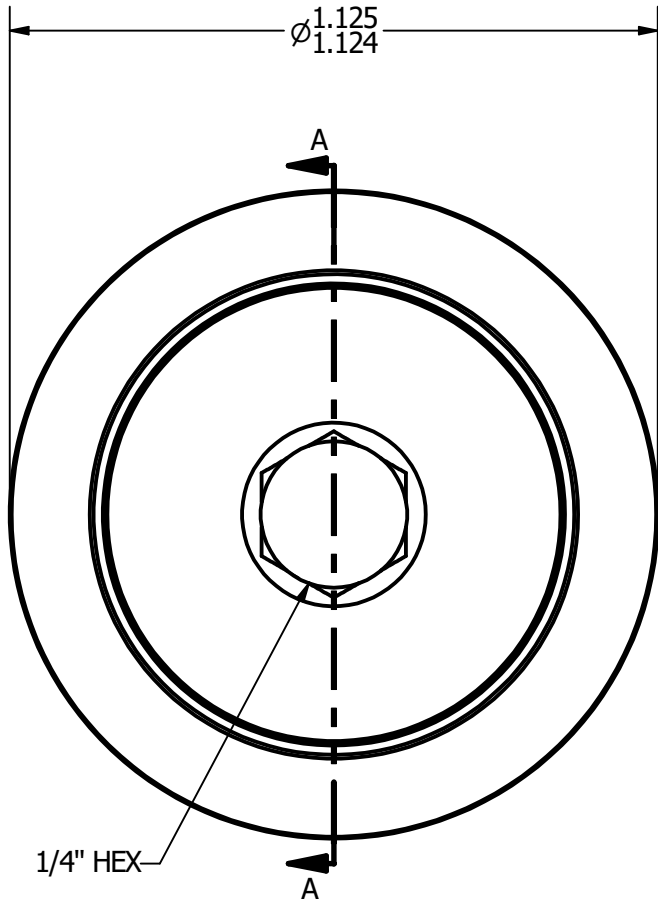
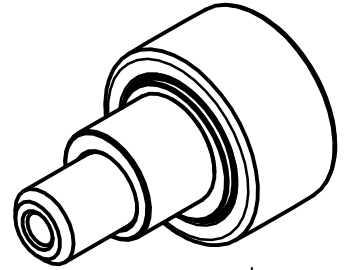


**NOTES:**  
**1. BEARING IS PACKED WITH LUBRIPLATE SFL-2 GREASE**



**RADIAL BASIC DYNAMIC RATING (POUNDS) 1780**

**MAXIMUM STATIC CAPACITY (POUNDS) 2448**

**MATERIAL NOTES:**

**OUTER - 440C STAINLESS STEEL, HEAT TREATED**  
**STUD - 440C STAINLESS STEEL, ZONE HARDENED**  
**ROLLER - 440C STAINLESS STEEL, HEAT TREATED**  
**WASHER - 440C STAINLESS STEEL, HEAT TREATED**  
**ECCENTRIC SLEEVE - 303 STAINLESS STEEL**  
**SEAL - SYNTHETIC**

CUSTOMER PART#

.XX = ± .01  
 .XXX = ± .005  
 .XXXX = ± .0005  
 ANGLES = ± 1°  
 INCH [METRIC]

CARTER MANUFACTURING IS NOT RESPONSIBLE FOR TYPOGRAPHICAL ERRORS

**CARTER MANUFACTURING CO., INC.**

GRAND HAVEN, MICHIGAN 49417

REVISION

PART NAME: ASSEMBLY

SHEET 1 OF 2

CHANGE NOTE:

**A**

REV. BY

AUTHOR. BY

DRAWN BY

CHK'D BY

SALES

MATERIAL

JGV

JAF

JGV

KPR

NOTED

DATE

DATE

DATE

DATE

DRAWING NO.

7/25/2006

7/25/2006

7/25/2006

7/25/2006

CSCE-36-SB