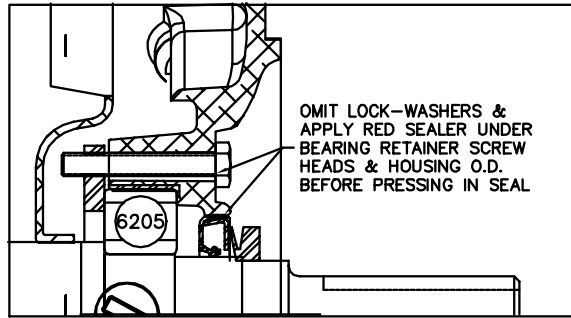


FRONT END DETAIL



PULLEY END DETAIL

CUSTOMER IS RESPONSIBLE FOR DETERMINING THAT BALDOR'S PRODUCT WILL PERFORM SUITABLY IN THE INTENDED APPLICATION.

REV. DESC: UPDATE ENDPLATES AND NOTES		
REV. LTR: F	VERSION: 06	TDR: 00001078879
FILE: \AAA\00111\603	REVISED: 11:37:17 07/23/2018	BY: FGCHAH1
MTL: -		

BALDOR - RELIANCE®

HOR 56C TEFC 35M WD (S/P #9) 2P

SH 1 of 1