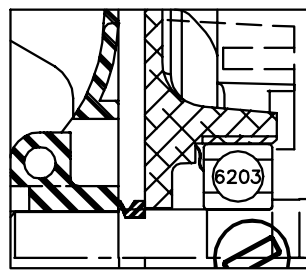
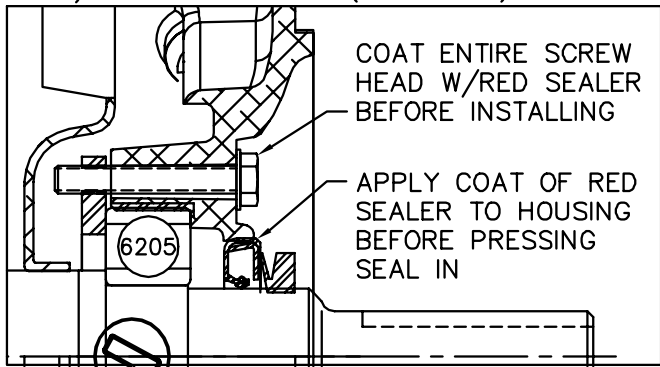


FORSHEDA  
 SLINGER  
 (EACH END)



FRONT END DETAIL



PULLEY END DETAIL

COAT ENTIRE SCREW  
 HEAD W/RED SEALER  
 BEFORE INSTALLING

APPLY COAT OF RED  
 SEALER TO HOUSING  
 BEFORE PRESSING  
 SEAL IN

CUSTOMER IS RESPONSIBLE FOR DETERMINING THAT BALDOR'S PRODUCT WILL PERFORM SUITABLY IN THE INTENDED APPLICATION.

REV. DESC: UPDATE ENDPLATES AND NOTES		
REV. LTR: C	VERSION: 03	TDR: 000001074419
FILE: \AAA\00092\899	REVISED: 10:06:03 06/12/2018	BY: FPJFQ
MTL: -		

**BALDOR - RELIANCE®**

VERT 56C TEFC 35LC S/P-9 (HOSE DOWN)

SH 1 of 1

35LYS582