

PRODUCT INFORMATION PACKET



Model No: A4C34DC8H

Catalog No: 100208.00

3/4HP..3450RPM.56.DP.115/208-230V.1PH.60HZ.CONT.AUTOMATIC.40C.1.5SF.ROUND.JET
PUMP.A4C34DC8H

Jet Pump



Regal and Leeson are trademarks of Regal Beloit Corporation or one of its affiliated companies.

©2018 Regal Beloit Corporation, All Rights Reserved. MC017097E





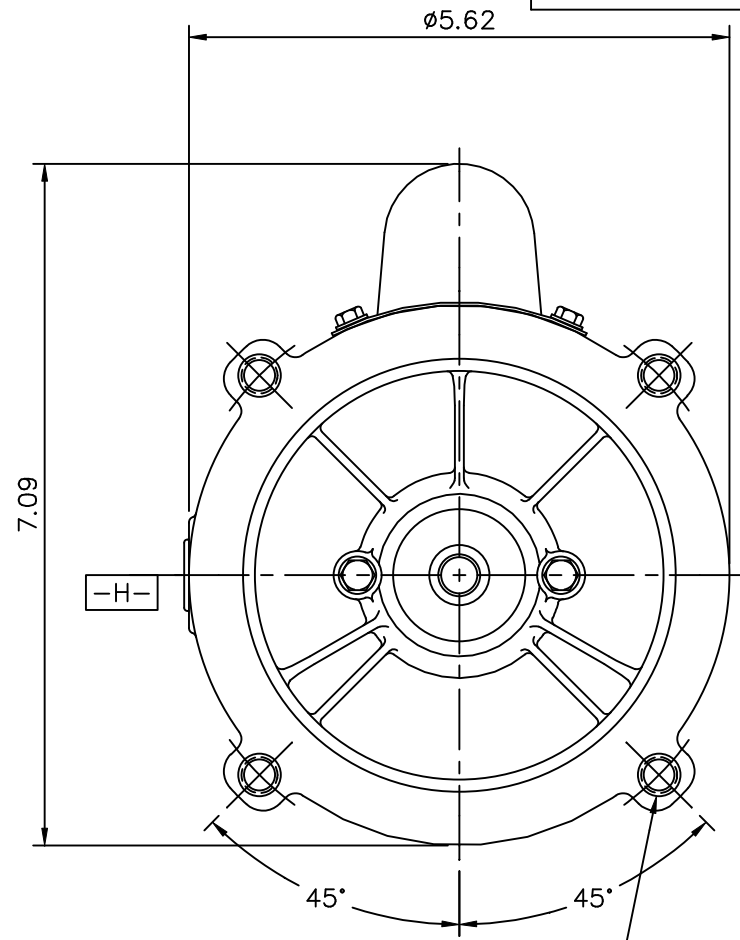
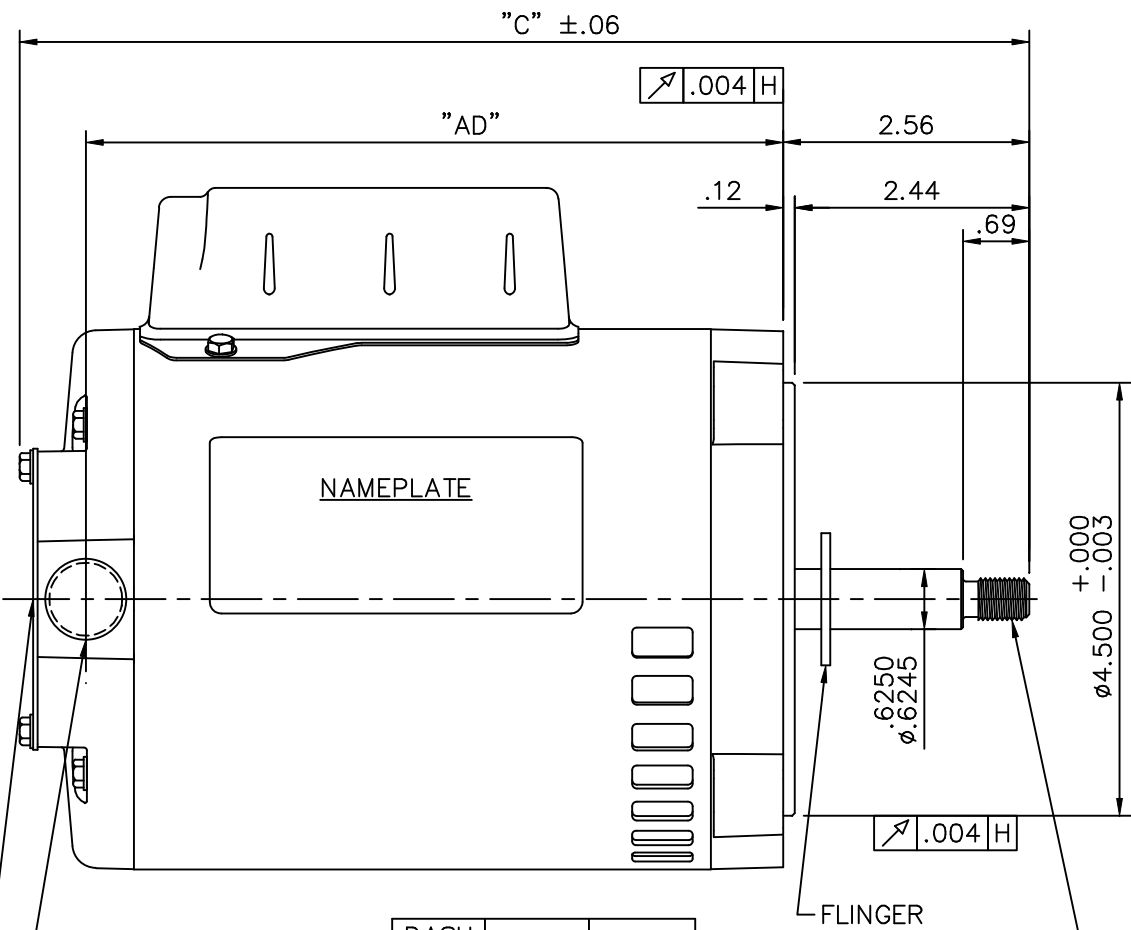
Nameplate Specifications

Output HP	0.75 Hp	Output KW	0.56 kW
Frequency	60 Hz	Voltage	115/208-230 V
Current	10.2/4.8-5.1 A	Speed	3450 rpm
Service Factor	1.5	Phase	1
Efficiency	66 %	Duty	Continuous
Insulation Class	B	Design Code	N
KVA Code	K	Frame	56J
Enclosure	Drip Proof	Overload Protector	Automatic
Ambient Temperature	40 °C	Drive End Bearing Size	6203
Opp Drive End Bearing Size	6203	UL	Recognized
CSA	Y	CE	N
IP Code	22		

Technical Specifications

Electrical Type	Capacitor Start Induction Run	Starting Method	Across The Line
Poles	2	Rotation	Fixed Clockwise
Mounting	Round	Motor Orientation	HORIZONTAL
Drive End Bearing	BALL	Opp Drive End Bearing	BALL
Frame Material	Rolled Steel	Shaft Type	J
Overall Length	10.50 in	Frame Length	6.00 in
Shaft Diameter	0.625 in	Shaft Extension	2.44 in
Assembly/Box Mounting	F1 ONLY		
Outline Drawing	031731-600	Connection Diagram	005049.17

031731



1/2-14 NPT CONDUIT HOLE
SCREWDRIVER SLOT IN SHAFT

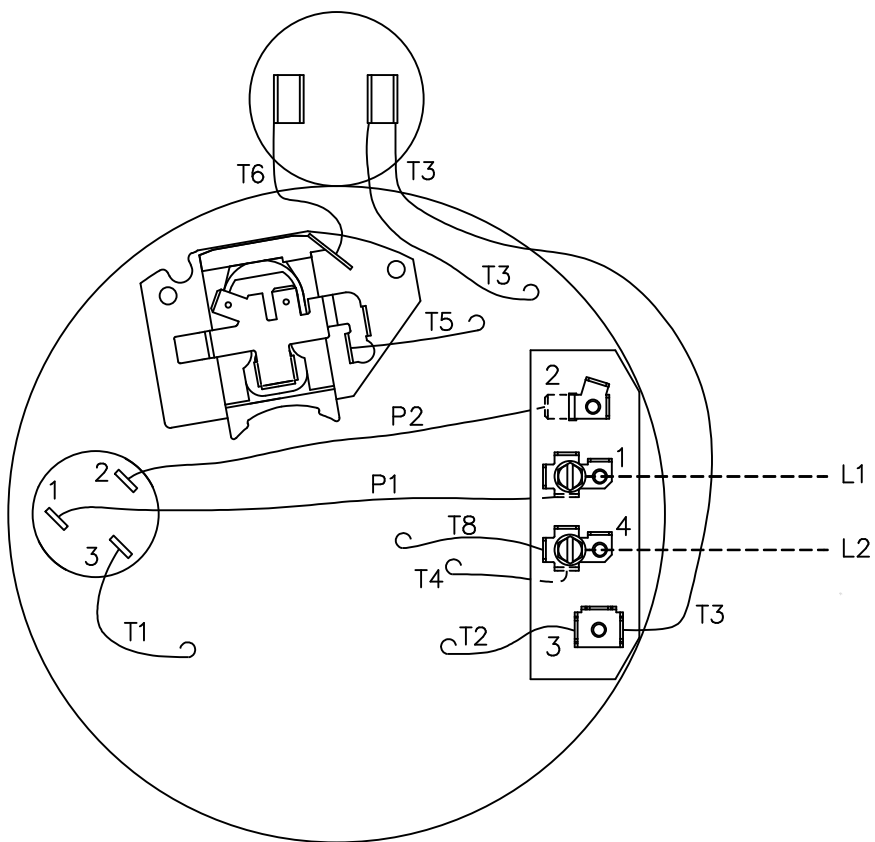
DASH NO.	"C"	"AD"
550	10.00	6.75
575	10.25	7.00
600	10.50	7.25
625	10.75	7.50
650	11.00	7.75
675	11.25	8.00
700	11.50	8.25

FLINGER
7/16-20 UNF 2A RIGHT HAND THREAD
.004 H

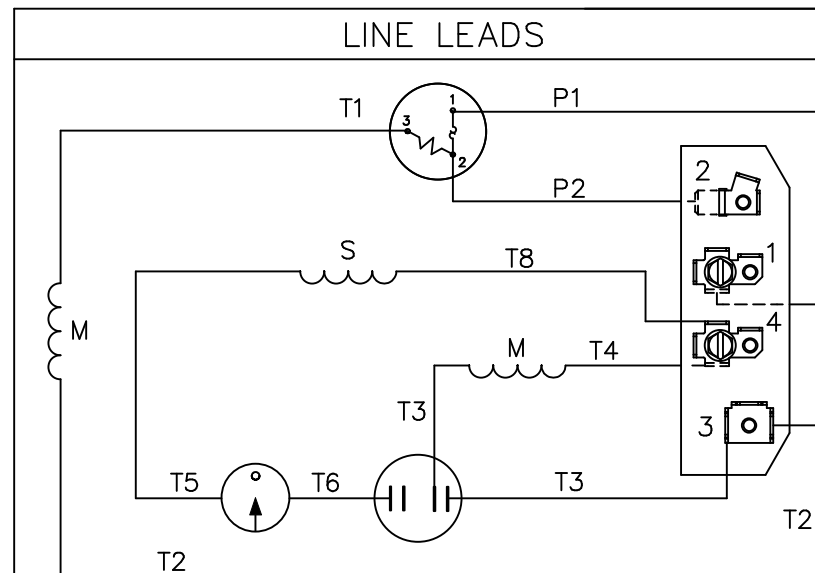
3/8-16 UNC 2B TAP x .56 DEEP
(4) REQ'D. ON A ø5.875 B.C.

		TOLERANCES UNLESS SPECIFIED		ELECTRIC MOTORS GEARMOTORS AND DRIVES	DRAWN KMM 04/04/03	
		DEC.	INCHES		CHK	
		.X	±.1		APPD	
		.XX	±.03		SCALE 1=2	
		.XXX	±.005		REF 031391	
		.XXXX	±.0005	TITLE	OUTLINE - S56J FRAME "C" FACE MOUNT - DRIP PROOF	
				MAT'L.	FMF 100208	
NO.	REVISION	BY & DATE	CHK	ANG	FINISH	PREV
THIS DRAWING IN DESIGN AND DETAIL IS OUR PROPERTY AND MUST NOT BE USED EXCEPT IN CONNECTION WITH OUR WORK ALL RIGHTS OF DESIGN AND INVENTION ARE RESERVED THIS IS AN ELECTRONICALLY GENERATED DOCUMENT - DO NOT SCALE THIS PRINT				RFP	CAD FILE 031731	SIZE A
				DIST	DRAWING NO. 031731	REV.

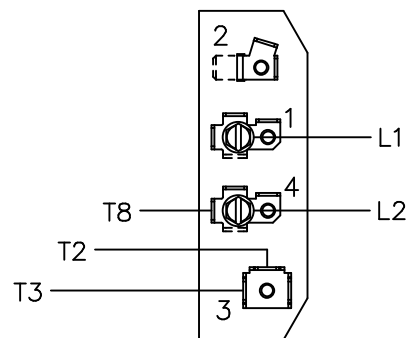
VIEW FROM OUTSIDE OF MOTOR AT SWITCH END.



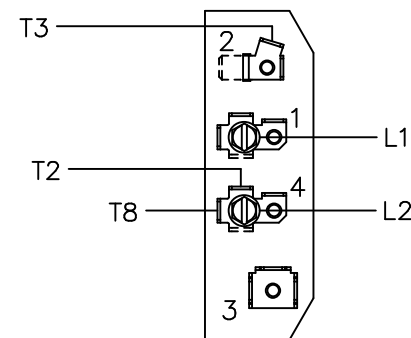
P1, P2, T4 TO GO TO
BACK SIDE OF TERMINAL BOARD



HIGH VOLTAGE
C.W.L.E. ROTATION



LOW VOLTAGE
C.W.L.E. ROTATION



NO.	REVISION	BY & DATE	CHK	TOLERANCES UNLESS SPECIFIED	
				DEC.	INCHES
				.X	±.1
				.XX	±.01
				.XXX	±.005
				.XXXX	±.0005
				ANG	±1/2°



ELECTRIC MOTORS
GEARMOTORS
AND DRIVES

DRAWN PG 1/31/03

CHK

APPD

SCALE 1=1

REF 005049-13

FMF 100207.00

PREV

TITLE
EXTERNAL WIRING DIAGRAM
TYPE "C" W/PROTECTOR

MAT'L. DUAL VOLTAGE - C.W.L.E. ROTATION

FINISH

RFP CAD FILE 00504917

DIST

SIZE DRAWING NO.

A 005049-17

REV.

