

PRODUCT INFORMATION PACKET



Model No: P4C17FZ6J

Catalog No: 101119.00

3/4HP..1725RPM.48.TEFC.115/208-230V.1PH.60HZ.CONT.MANUAL.40C.1.0SF.SPECIAL.AG - FEED-AUGER.P4C17FZ6J

Auger Drive



Regal and Leeson are trademarks of Regal Beloit Corporation or one of its affiliated companies.

©2018 Regal Beloit Corporation, All Rights Reserved. MC017097E



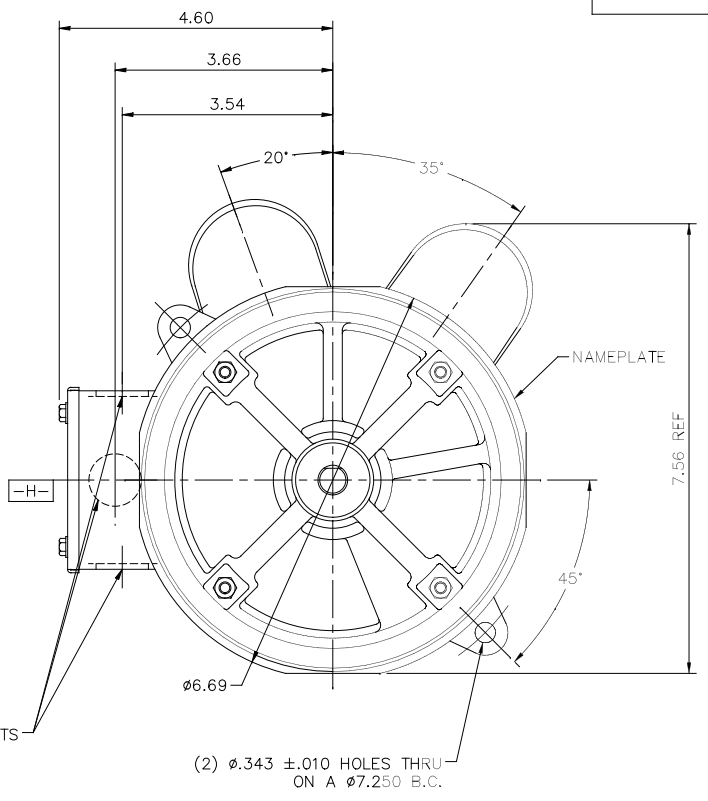
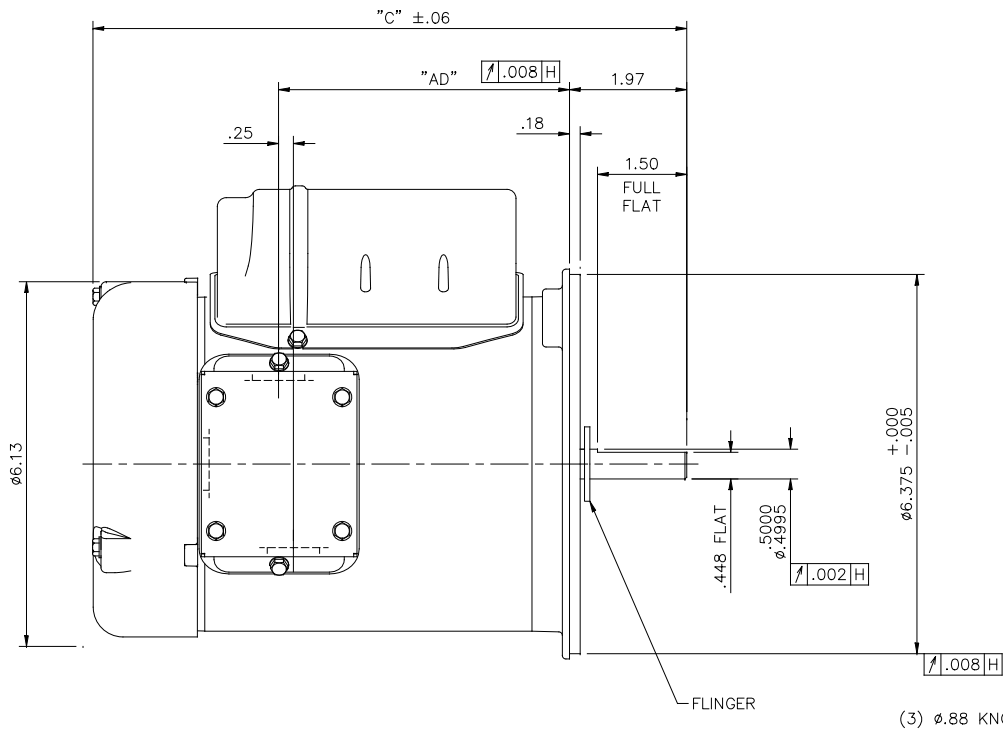


Nameplate Specifications

Output HP	0.75 Hp	Output KW	0.56 kW
Frequency	60 Hz	Voltage	115/208-230 V
Current	10.8/5.3-5.4 A	Speed	1725 rpm
Service Factor	1	Phase	1
Efficiency	70 %	Duty	Continuous
Insulation Class	F	Design Code	N
KVA Code	k	Frame	48Y
Enclosure	Totally Enclosed Fan Cooled	Overload Protector	Manual
Ambient Temperature	40 °C	Drive End Bearing Size	6203
Opp Drive End Bearing Size	6203	UL	Recognized (Not Protector)
CSA	Y	CE	N
IP Code	43		


Technical Specifications

Electrical Type	Capacitor Start Induction Run	Starting Method	Across The Line
Poles	4	Rotation	Selective Counterclockwise
Mounting	Round	Motor Orientation	HORIZONTAL
Drive End Bearing	BALL	Opp Drive End Bearing	BALL
Frame Material	Rolled Steel	Shaft Type	Single Special Extension
Overall Length	11.47 in	Frame Length	7.00 in
Shaft Diameter	0.500 in	Shaft Extension	1.5 in
Assembly/Box Mounting	F1 ONLY		
Outline Drawing	031648-700	Connection Diagram	005258.04

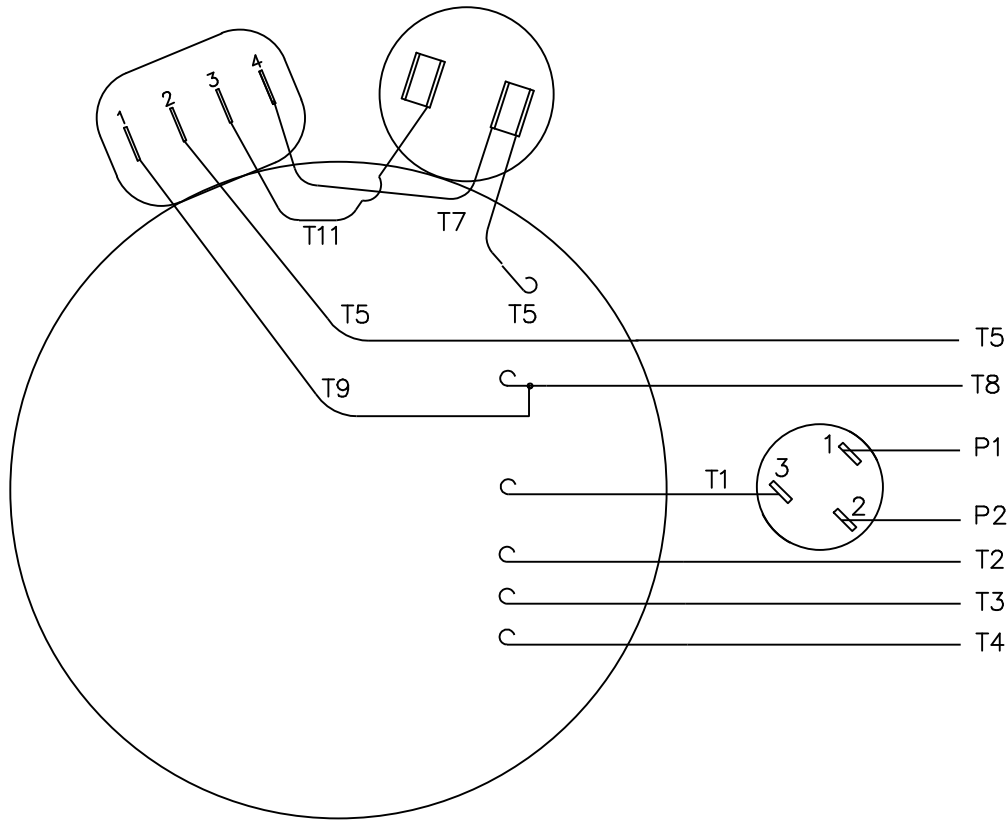


DASH NO.	"C"	"AD"
550	9.97	4.89
575	10.22	5.14
600	10.47	5.39
625	10.72	5.64
650	10.97	5.89
675	11.22	6.14
700	11.47	6.39
725	11.72	6.64
750	11.97	6.89

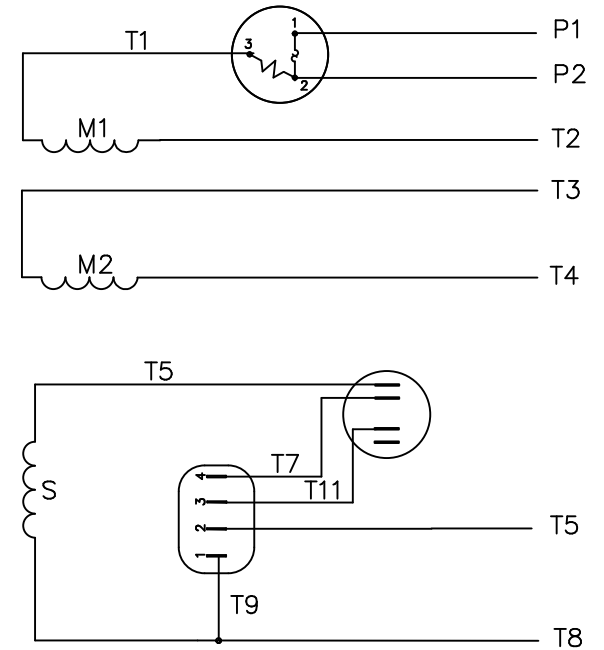
GASKETS THROUGHOUT

07	BIG CAPACITOR LOCATION WAS AT 40°	PST 06/18/15	SM	TOLERANCES UNLESS SPECIFIED	 Regal Beloit America, Inc.	DRAWN PG 9/13/01
06	ADDED TOLERANCE TO .343 CORED HOLES	KMM 5/7/03	DEC.	INCHES		CHK
05	ROTATED CAPACITORS 5° FOR CON. BOX CLEARANCE	KMM 2/6/03	.X	±.1	APPD	
04	REVISED CALLOUT FOR GD&T	KMM 6/6/02	.XX	±.03	TITLE	SCALE 1=2
03	REVERSED CAPACITOR LOCATIONS	PG 10/31/01	.XXX	±.005	OIL BURNER FLANGE MOUNT - TEFC	
K	ADDED LARGE CAP. CASE FOR NEW SWITCH	EL 3/31/2017	.XXXX	±.0005	MAT'L	1 PHASE
NO.	REVISION	BY & DATE	CHK	ANG	FINISH	PREV
THIS DRAWING IN DESIGN AND DETAIL IS OUR PROPERTY AND MUST NOT BE USED EXCEPT IN CONNECTION WITH OUR WORK ALL RIGHTS OF DESIGN AND INVENTION ARE RESERVED THIS IS AN ELECTRONICALLY GENERATED DOCUMENT - DO NOT SCALE THIS PRINT			RFP	±1/2"	FINISH	
				CHK	CAD FILE	031648
				DIST	SIZE	B
					DRAWING NO.	031648
					REV.	K

VIEW FROM OUTSIDE OF MOTOR AT SWITCH END.



LINE LEADS



	ROTATION FACING LEAD END	L1	L2	JOIN	INSULATE SEPARATELY
HIGH VOLT	C.C.W.	P1	T4 T5	T2,T3 T8	P2
	C.W.	P1	T4 T8	T2,T3 T5	P2
LOW VOLT	C.C.W.	P1	T2,T4 T5	P2,T3 T8	----
	C.W.	P1	T2,T4 T8	P2,T3 T5	----

				TOLERANCES UNLESS OTHERWISE SPECIFIED		
				DEC.	INCHES	METRIC
				.X	±.1	±2.5
				.XX	±.01	±.25
				.XXX	±.005	±.127
NO.	REVISION	BY & DATE	CH'K'D.	.XXXX	±.0005	±.0127

LEESON ELECTRIC CORPORATION

DRAWN PG 10/16/01	TITLE	EXTERNAL WIRING DIAGRAM TYPE "C" W/PROTECTOR
APPR.	MAT'L.	DECAL - 004011 SOLID STATE SWITCH
R.F.P.	SCALE	1=1

THIS DRAWING IN DESIGN AND DETAIL IS OUR PROPERTY AND MUST NOT BE USED EXCEPT IN CONNECTION WITH OUR WORK ALL RIGHTS OF DESIGN AND INVENTION ARE RESERVED THIS IS AN ELECTRONICALLY GENERATED DOCUMENT - DO NOT SCALE THIS PRINT				FRACTIONS	±1/64	REF.	PAGE 1	FINISH	REV.	DRAWING NO.
				ANGLES	±1/2'	FMF	101120	STANDARD		005258-04

