

PRODUCT INFORMATION PACKET



Model No: A4K17DR7F

Catalog No: 101602.00

1/4HP..1725RPM.48.DP./115V.1PH.60HZ.CONT.AUTOMATIC.40C.1.35SF.RESILIENT
BASE.WATTSAYER.A4K17DR7F

Single Phase



Regal and Leeson are trademarks of Regal Beloit Corporation or one of its affiliated companies.

©2018 Regal Beloit Corporation, All Rights Reserved. MC017097E





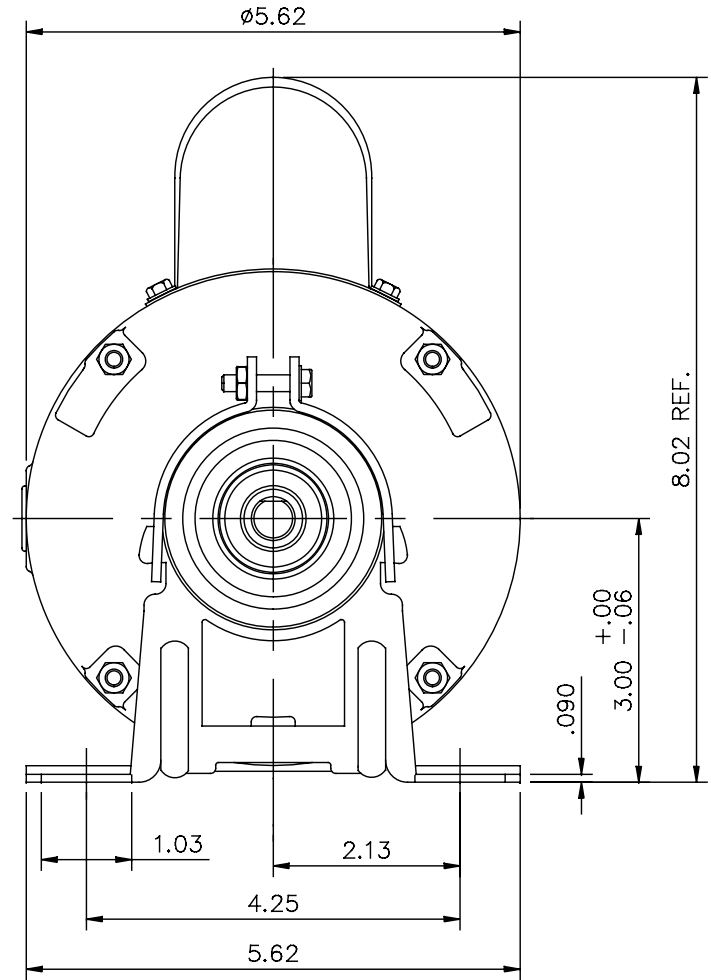
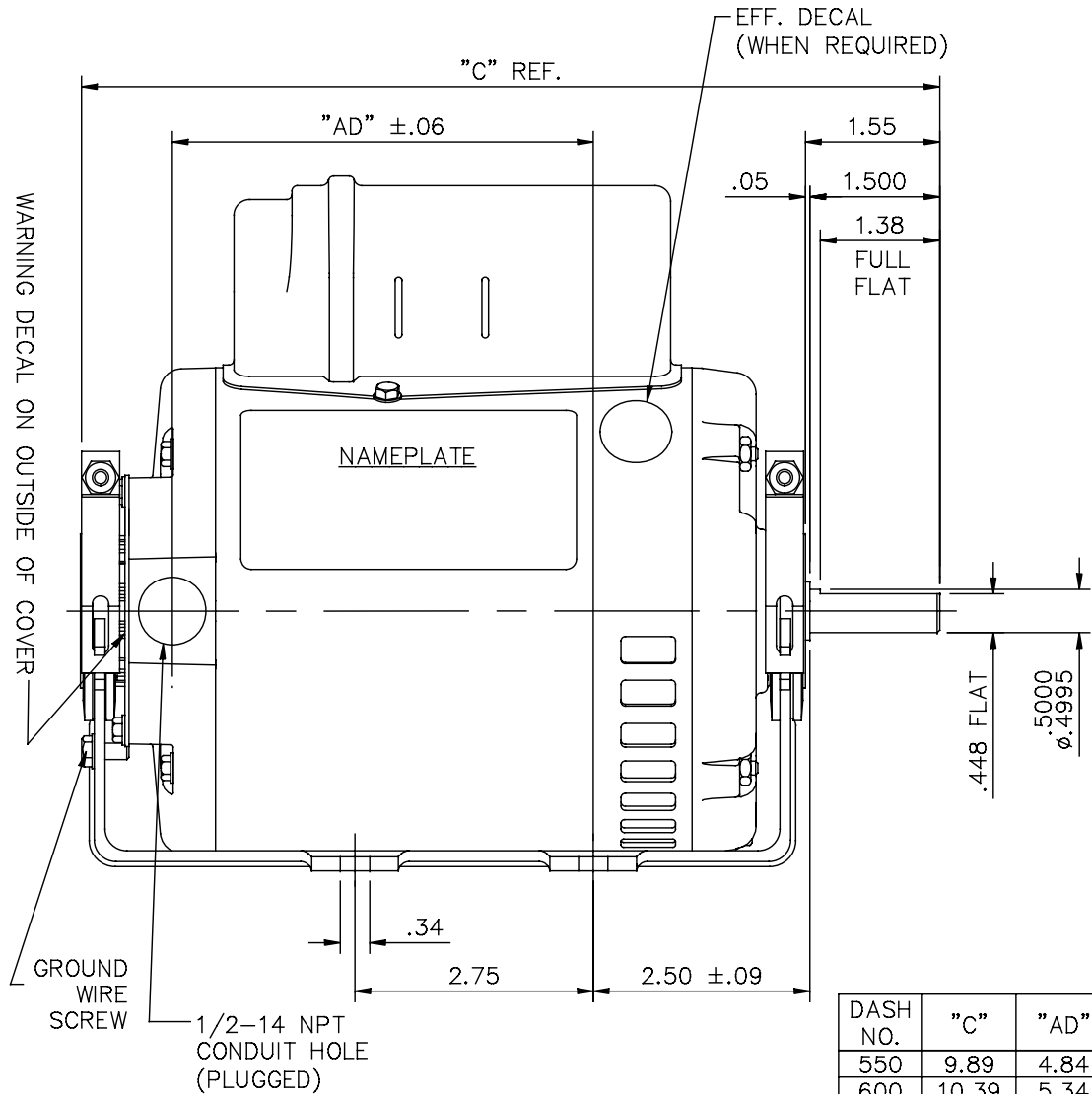
Nameplate Specifications

Output HP	0.25 Hp	Output KW	0.19 kW
Frequency	60 Hz	Voltage	115 V
Current	2.5 A	Speed	1725 rpm
Service Factor	1.35	Phase	1
Efficiency	71 %	Duty	Continuous
Insulation Class	F	Design Code	NO DESIGN CODE
KVA Code	M	Frame	48Z
Enclosure	Drip Proof	Overload Protector	Automatic
Ambient Temperature	40 °C	Drive End Bearing Size	6203
Opp Drive End Bearing Size	6203	UL	Recognized
CSA	Y	CE	N
IP Code	22		

Technical Specifications

Electrical Type	Split Phase Start Capacitor Run	Starting Method	Across The Line
Poles	4	Rotation	Selective Counterclockwise
Mounting	Resilient Base	Motor Orientation	HORIZONTAL
Drive End Bearing	BALL	Opp Drive End Bearing	BALL
Frame Material	Rolled Steel	Shaft Type	Single Special Extension
Overall Length	10.39 in	Frame Length	6.00 in
Shaft Diameter	0.500 in	Shaft Extension	1.5 in
Assembly/Box Mounting	F1 ONLY		
Outline Drawing	031760-600	Connection Diagram	005326.02

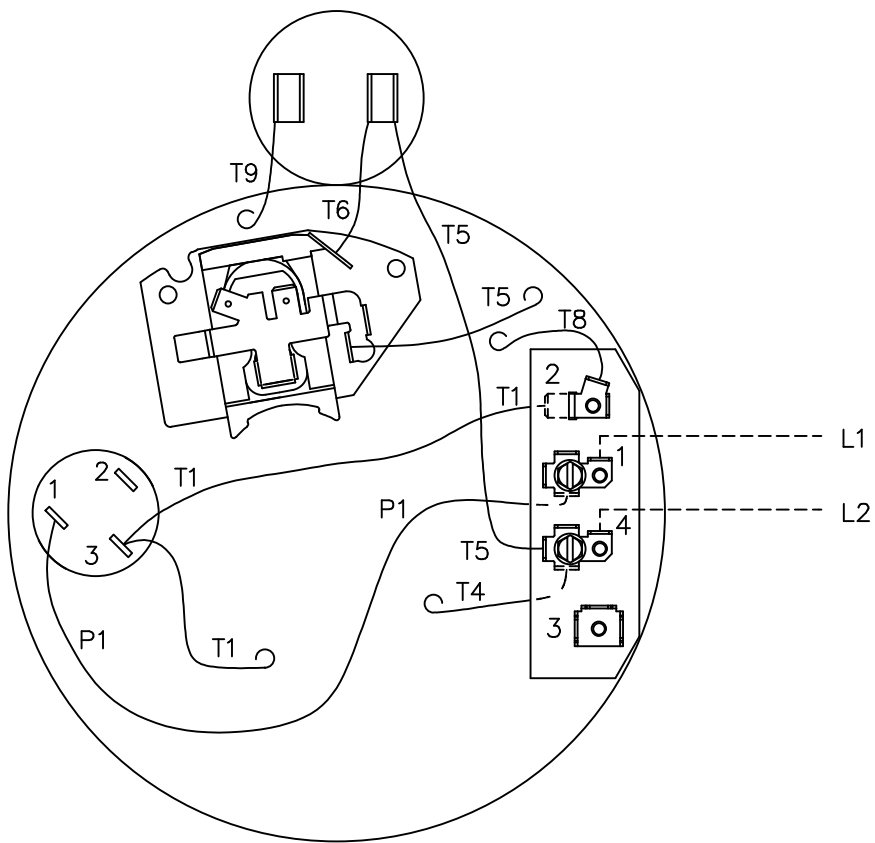
031760



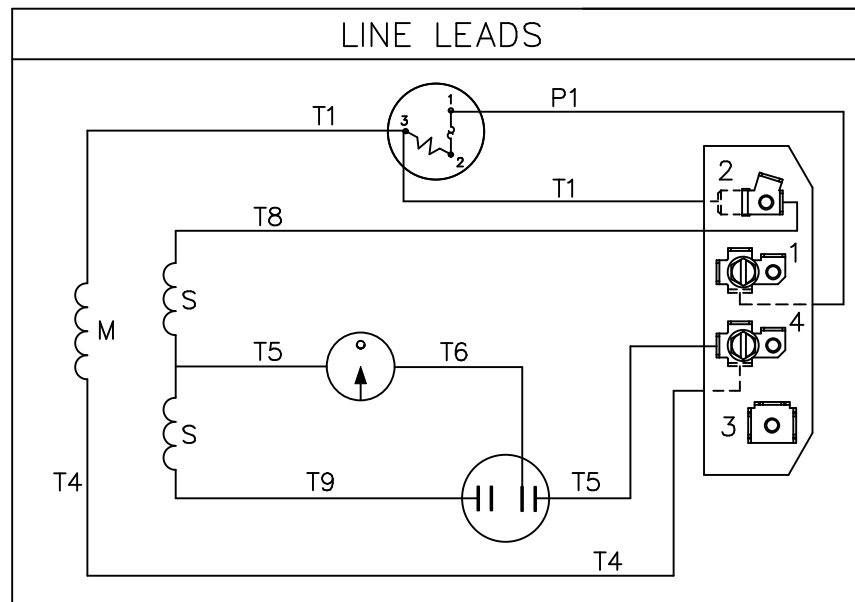
DASH NO.	"C"	"AD"
550	9.89	4.84
600	10.39	5.34
650	10.89	5.84

				TOLERANCES UNLESS SPECIFIED		REGAL-BELOIT <i>Motor Technologies Group</i>		DRAWN PG 2/20/04		
				DEC.	INCHES	TITLE OUTLINE - 48 FRAME RESILIENT MOUNT - DRIP PROOF		CHK		
				.X	±.1			APPD		
				.XX	±.03			SCALE 1=2		
				.XXX	±.005			REF 030761		
				.XXXX	±.0005	MAT'L 1 PHASE		FMF 101405.00		
				ANG	±1/2°	FINISH STANDARD		PREV		
01	UPDATED WITH OUTER COVER, GROUND SECREW AND EFF DECALS	SL	10/20/15	JD						
NO.	REVISION	BY & DATE	CHK	ANG	RFP	CAD FILE	031760	SIZE	DRAWING NO.	REV.
THIS DRAWING IN DESIGN AND DETAIL IS OUR PROPERTY AND MUST NOT BE USED EXCEPT IN CONNECTION WITH OUR WORK ALL RIGHTS OF DESIGN AND INVENTION ARE RESERVED THIS IS AN ELECTRONICALLY GENERATED DOCUMENT - DO NOT SCALE THIS PRINT						DIST		A	031760	

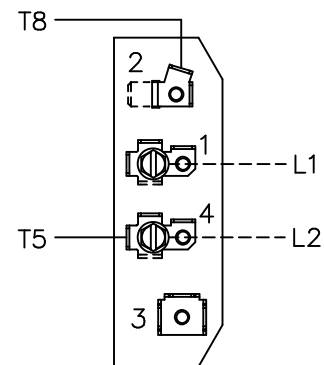
VIEW FROM OUTSIDE OF MOTOR AT SWITCH END.



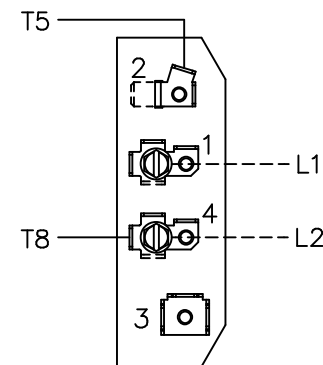
P1, T1, T4 TO GO TO
BACK SIDE OF TERMINAL BOARD



C.C.W.L.E. ROTATION



C.W.L.E. ROTATION



		TOLERANCES UNLESS SPECIFIED	
		DEC.	INCHES
		.X	±.1
		.XX	±.01
		.XXX	±.005
		.XXXX	±.0005
NO.	REVISION	BY & DATE	CHK

	ELECTRIC MOTORS GEARMOTORS AND DRIVES	DRAWN PG 2/23/04
		CHK
		APPD
	TITLE EXTERNAL WIRING DIAGRAM TYPE "K" W/PROTECTOR	SCALE 1=1
	MAT'L. SINGLE VOLTAGE - DUAL ROTATION	REF 005326-01
FINISH		FMF 101405.00
		PREV

THIS DRAWING IN DESIGN AND DETAIL IS OUR PROPERTY AND MUST NOT BE USED EXCEPT IN CONNECTION WITH OUR WORK ALL RIGHTS OF DESIGN AND INVENTION ARE RESERVED THIS IS AN ELECTRONICALLY GENERATED DOCUMENT - DO NOT SCALE THIS PRINT		RFP	CAD FILE 00532602	SIZE A	DRAWING NO. 005326-02	REV.
		DIST				

```
ERROR: undefined  
OFFENDING COMMAND: de
```

```
STACK:
```

```
{/@FL --where-- --not-- {--pop-- --end-- --end-- } {--pop-- } --ifelse-- }  
/suspend  
-dictionary-  
/pscript_WinNT_Compat  
-dictionary-
```