

# PRODUCT INFORMATION PACKET



Model No: A4T34DJ4D

Catalog No: 101639.00

1/3HP..3450/2850RPM.48.DP.230/460V.3PH.60/50HZ.CONT.AUTOMATIC.40C.1.35/1.35SF.RESIL.

Open Drip Proof (ODP)



Regal and Leeson are trademarks of Regal Beloit Corporation or one of its affiliated companies.

©2018 Regal Beloit Corporation, All Rights Reserved. MC017097E





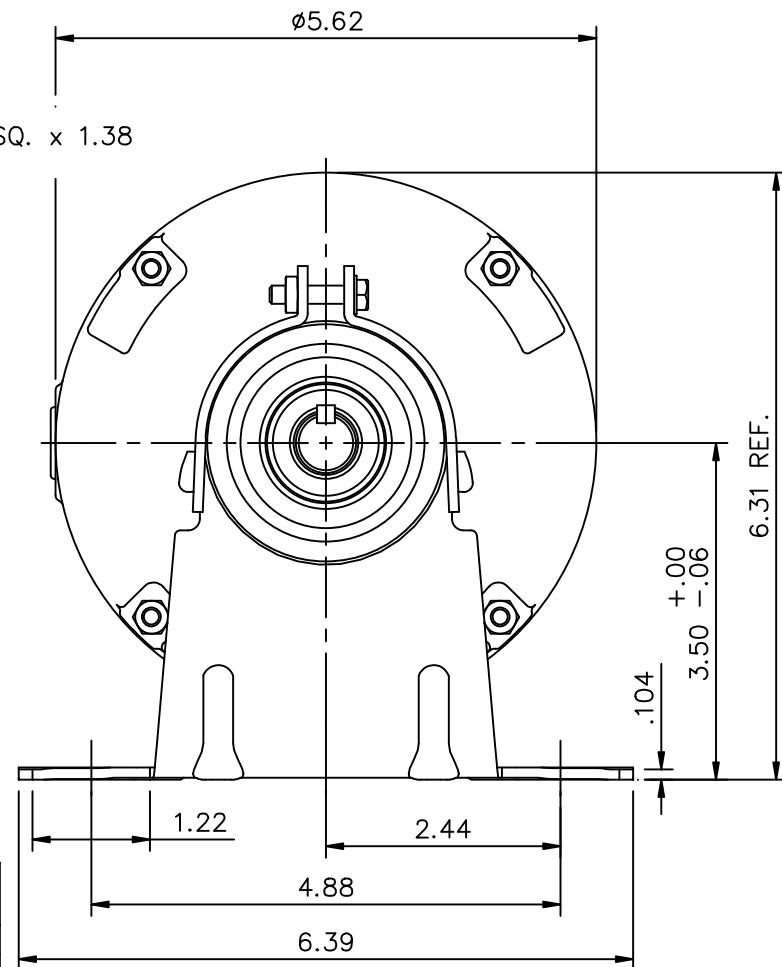
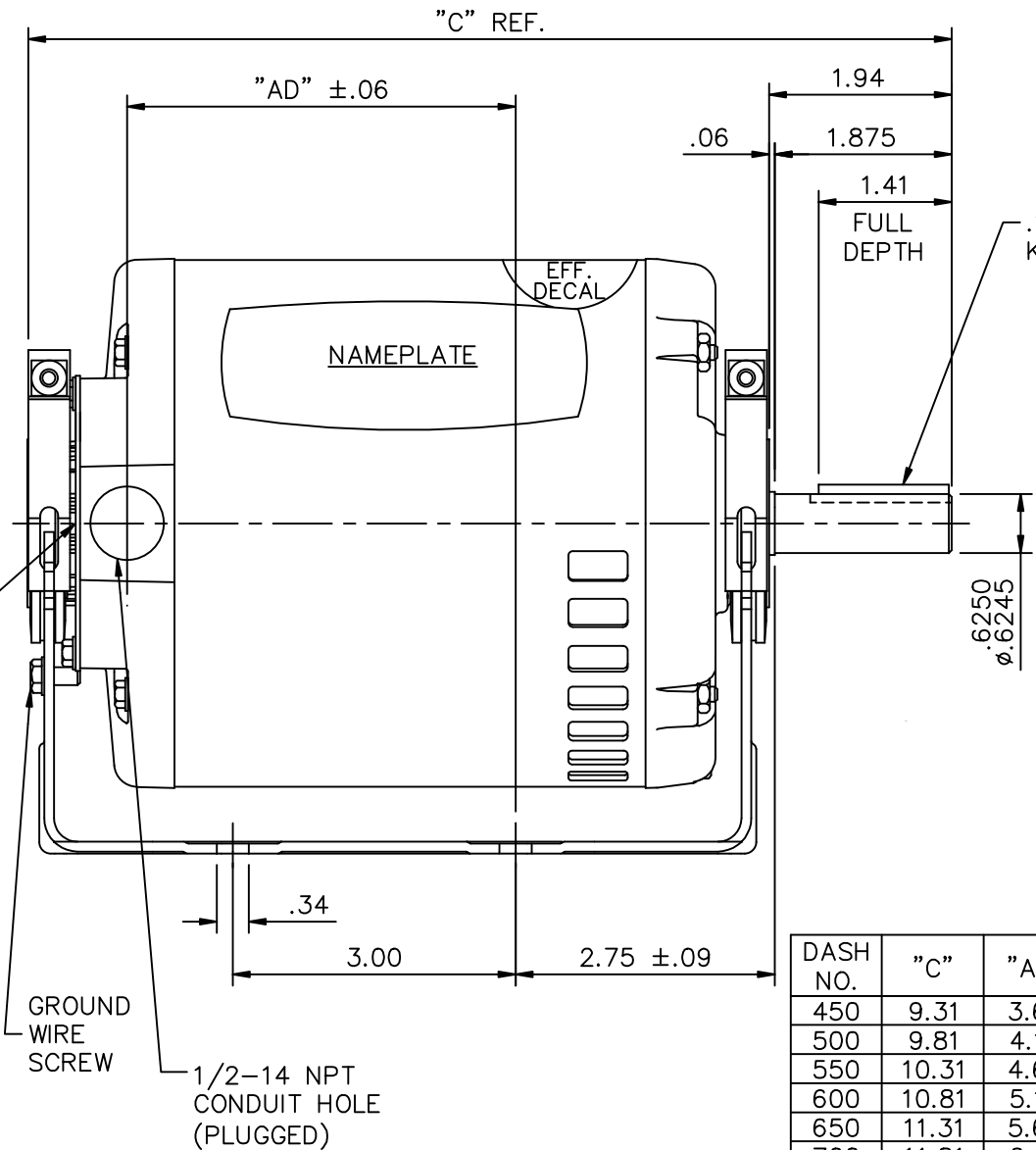
### Nameplate Specifications

Output HP	<b>0.33 Hp</b>	Output KW	<b>0.25 kW</b>
Frequency	<b>60 Hz</b>	Voltage	<b>208-230/460 V</b>
Current	<b>1.4/0.70 A</b>	Speed	<b>3450 rpm</b>
Service Factor	<b>1.35</b>	Phase	<b>3</b>
Efficiency	<b>61 %</b>	Duty	<b>Continuous</b>
Insulation Class	<b>B</b>	Design Code	<b>NO DESIGN CODE</b>
KVA Code	<b>L</b>	Frame	<b>S56</b>
Enclosure	<b>Drip Proof</b>	Overload Protector	<b>Automatic</b>
Ambient Temperature	<b>40 °C</b>	Drive End Bearing Size	<b>6203</b>
Opp Drive End Bearing Size	<b>6203</b>	UL	<b>Recognized</b>
CSA	<b>Y</b>	CE	<b>N</b>
IP Code	<b>22</b>		

### Technical Specifications

Electrical Type	<b>Squirrel Cage Induction Run</b>	Starting Method	<b>Across The Line</b>
Poles	<b>2</b>	Rotation	<b>Reversible</b>
Mounting	<b>Resilient Base</b>	Motor Orientation	<b>HORIZONTAL</b>
Drive End Bearing	<b>BALL</b>	Opp Drive End Bearing	<b>BALL</b>
Frame Material	<b>Rolled Steel</b>	Shaft Type	<b>NEMA 56</b>
Overall Length	<b>10.31 in</b>	Frame Length	<b>5.50 in</b>
Shaft Diameter	<b>0.625 in</b>	Shaft Extension	<b>1.88 in</b>
Assembly/Box Mounting	<b>F1 ONLY</b>		
Outline Drawing	<b>031807-550</b>	Connection Diagram	<b>005020.01</b>

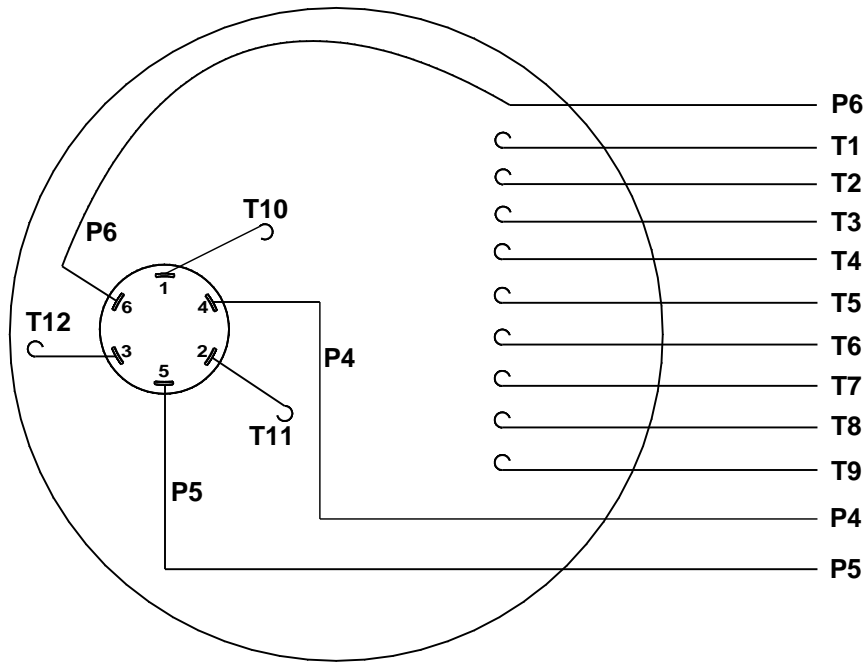
CONNECTION DECAL INSIDE COVER WHEN REQ'D  
WARNING DECAL ON OUTSIDE OF COVER



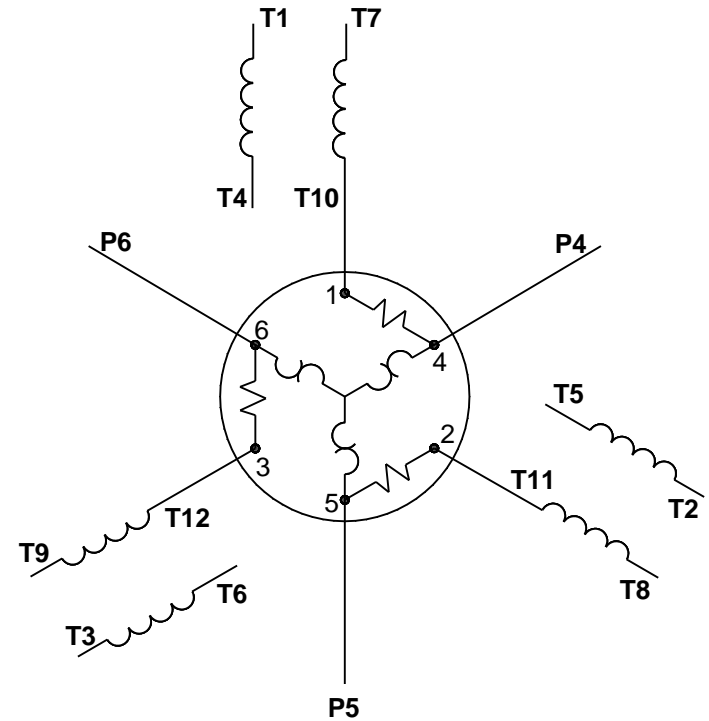
DASH NO.	"C"	"AD"
450	9.31	3.62
500	9.81	4.12
550	10.31	4.62
600	10.81	5.12
650	11.31	5.62
700	11.81	6.12

			TOLERANCES UNLESS SPECIFIED		<b>LEESON</b> ELECTRIC MOTORS GEARMOTORS AND DRIVES	DRAWN PG 02/18/05
			DEC.	INCHES		CHK
			.X	±.1		APPD PG 02/18/05
			.XX	±.03	TITLE	SCALE 1=2
02	ADDED DECAL NOTES PER ASSEMBLY	GWS 8/19/11	.XXX	±.005	OUTLINE - S56 FRAME RESILIENT MOUNT - DRIP PROOF	REF 030485
01	ADDED NOTE FOR GROUND WIRE SCREW	ARV 1/21/08	.XXXX	±.0005	MAT'L. 3 PHASE	FMF 101773.00
NO.	REVISION	BY & DATE	CHK	ANG ±1/2"	FINISH	PREV
THIS DRAWING IN DESIGN AND DETAIL IS OUR PROPERTY AND MUST NOT BE USED EXCEPT IN CONNECTION WITH OUR WORK ALL RIGHTS OF DESIGN AND INVENTION ARE RESERVED THIS IS AN ELECTRONICALLY GENERATED DOCUMENT - DO NOT SCALE THIS PRINT			RFP	CAD FILE	031807	SIZE A
			DIST			DRAWING NO. 031807
						REV. 02

VIEW FROM OUTSIDE OF MOTOR AT SWITCH END.



LINE LEADS



VOLTAGE	L1	L2	L3	JOIN	SEPARATE
HIGH	T1	T2	T3	(T4, T7) (T5, T8) (T6, T9)	(P4), (P5), (P6)
LOW	T1, T7	T2, T8	T3, T9	(T4, P4) (T5, P5) (T6, P6)	

DRAWING REVISION <b>D</b>	REVISION BY <b>SM</b>	DATE <b>9/26/2016</b>
ECO <b>ECO-0109970</b>	APPROVED BY <b>SM</b>	DATE <b>9/26/2016</b>
ECO DESCRIPTION <b>UPDATED TO NEW TEMPLATE</b>		
<small>COPYRIGHT REGAL BELOIT AMERICA, INC. ALL RIGHTS RESERVED.                  PROPRIETARY AND CONFIDENTIAL INFORMATION - THIS DOCUMENT IS THE PROPERTY OF                  REGAL BELOIT AMERICA, INC. ("OWNER") AND CONTAINS OWNER'S PROPRIETARY                  INFORMATION. ANY PERSON, CORPORATION OR OTHER FIRM RECEIVING IT IS DEEMED,                  BY RECEIVING IT, TO AGREE THAT IT, AND/OR ANY PART OF IT, SHALL NOT BE DISCLOSED                  TO ANY PERSON, CORPORATION OR OTHER ENTITY, DUPLICATED, AND/OR USED, EXCEPT                  AS EXPRESSLY APPROVED IN WRITING IN ADVANCE BY OWNER. THIS DOCUMENT SHALL                  BE RETURNED TO OWNER UPON REQUEST. IT MAY BE SUBJECT TO CERTAIN                  RESTRICTIONS UNDER APPLICABLE EXPORT CONTROL LAWS AND REGULATIONS.</small>		

TOLERANCES UNLESS OTHERWISE SPECIFIED:

DEC.	INCH	mm	ANGLE
.X	±0.1	[±2.5]	±0.5°
.XX	±0.01	[±0.25]	
.XXX	±0.005	[±0.127]	
.XXXX	±0.0005	[±0.0127]	

REMOVE BURRS & BREAK SHARP EDGES: .003/.015 [.076/.381] X 45°  
 CORNER FILLETS: R.02 [.51]  
 MACHINED SURFACES: 125/ INCH 3.2/ mm

mm SHOWN IN [BRACKETS]

DRAWN BY <b>ADH 02/25/74</b>
DATE
APPROVED BY <b>JCW 03/11/74</b>
DATE
REFERENCE
THIRD ANGLE PROJECTION

Regal Beloit America, Inc.		
DESCRIPTION <b>CONN DIAGRAM-EXTERNAL</b> TYPE "T" W/PROTECTOR		
MATERIAL <b>DECAL - 004023</b>	PROCESS/FINISH <b>ECO LAB</b>	
SIZE <b>A</b>	DRAWING NUMBER <b>00502001</b>	SHEET <b>1 OF 1</b>



**LEESON ELECTRIC CORPORATION**  
 TYPICAL PERFORMANCE CURVE for AC MOTOR

Model No 101639.00

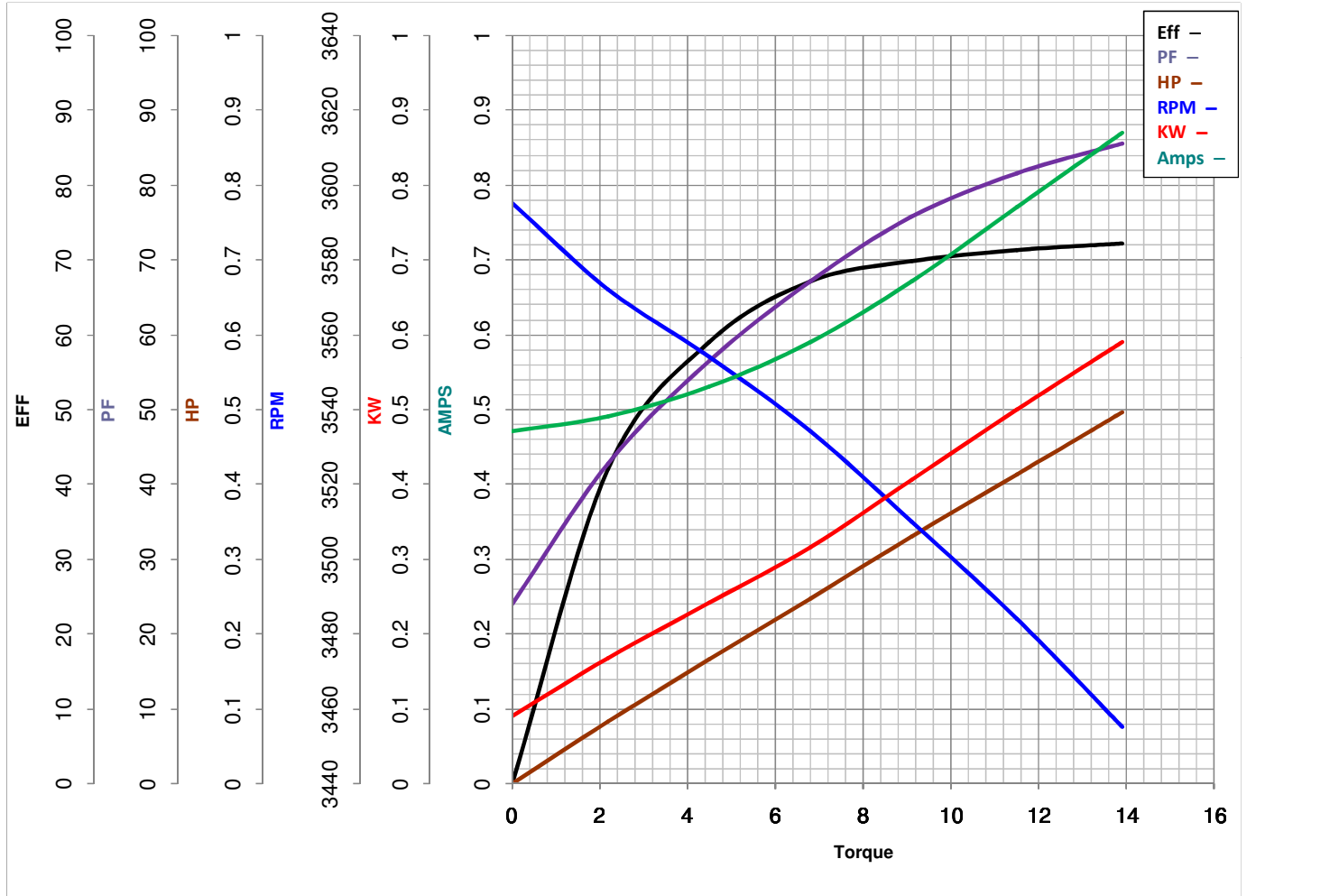
Catalog No 101639.00

Curve at 460 Volts  
60 HZ  
0.33 HP

HP 0.33&0.33 PHASE 3  
 VOLTS 208-230/460&208-230/460

HZ 60&50

RPM 3450&2850



FL TORQUE	<u>9.1</u>	Oz.Ft	FL AMPS	<u>1.4/7</u>	
BD TORQUE	<u>34.8</u>	Oz.Ft	PU TORQUE	<u>23.1</u>	Oz.Ft
LR TORQUE	<u>26.4</u>	Oz.Ft	LR AMPS	<u>4.7</u>	
WINDING	T5526-5		Date	5/22/2018	