

# PRODUCT INFORMATION PACKET



Model No: A4T34DJ5C

Catalog No: 101641.00

3/4HP..3450RPM.S56H.DP.230/460V.3PH.60HZ.Cont.40C.1.25SF.RESIL.A4T34DJ5C.....

Open Drip Proof (ODP)



Regal and Leeson are trademarks of Regal Beloit Corporation or one of its affiliated companies.

©2018 Regal Beloit Corporation, All Rights Reserved. MC017097E





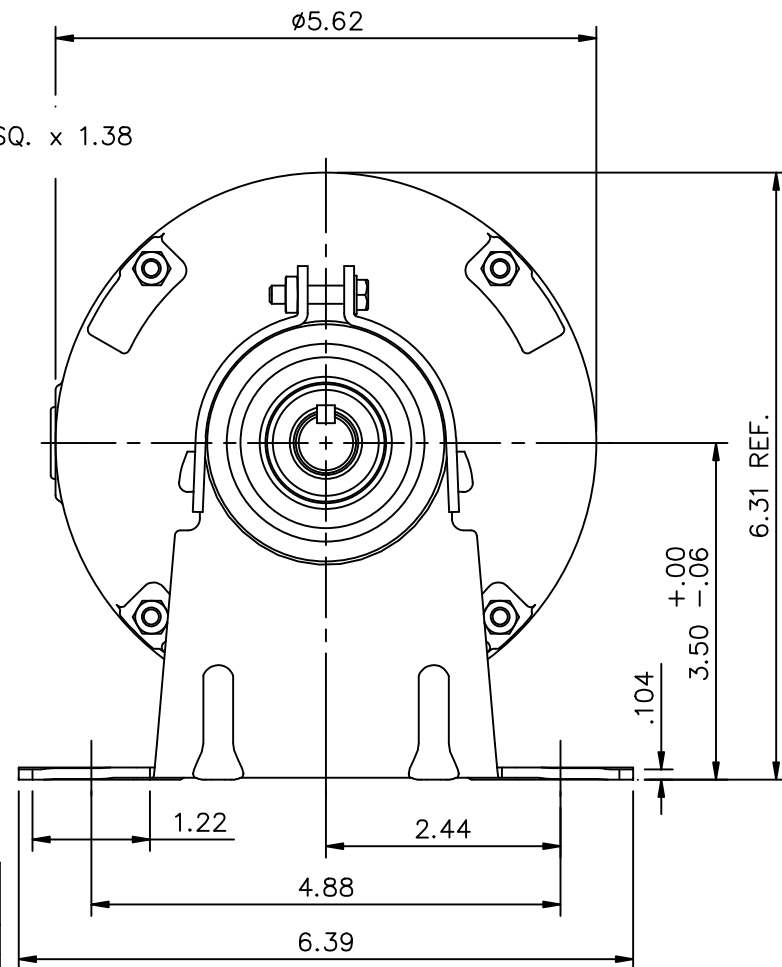
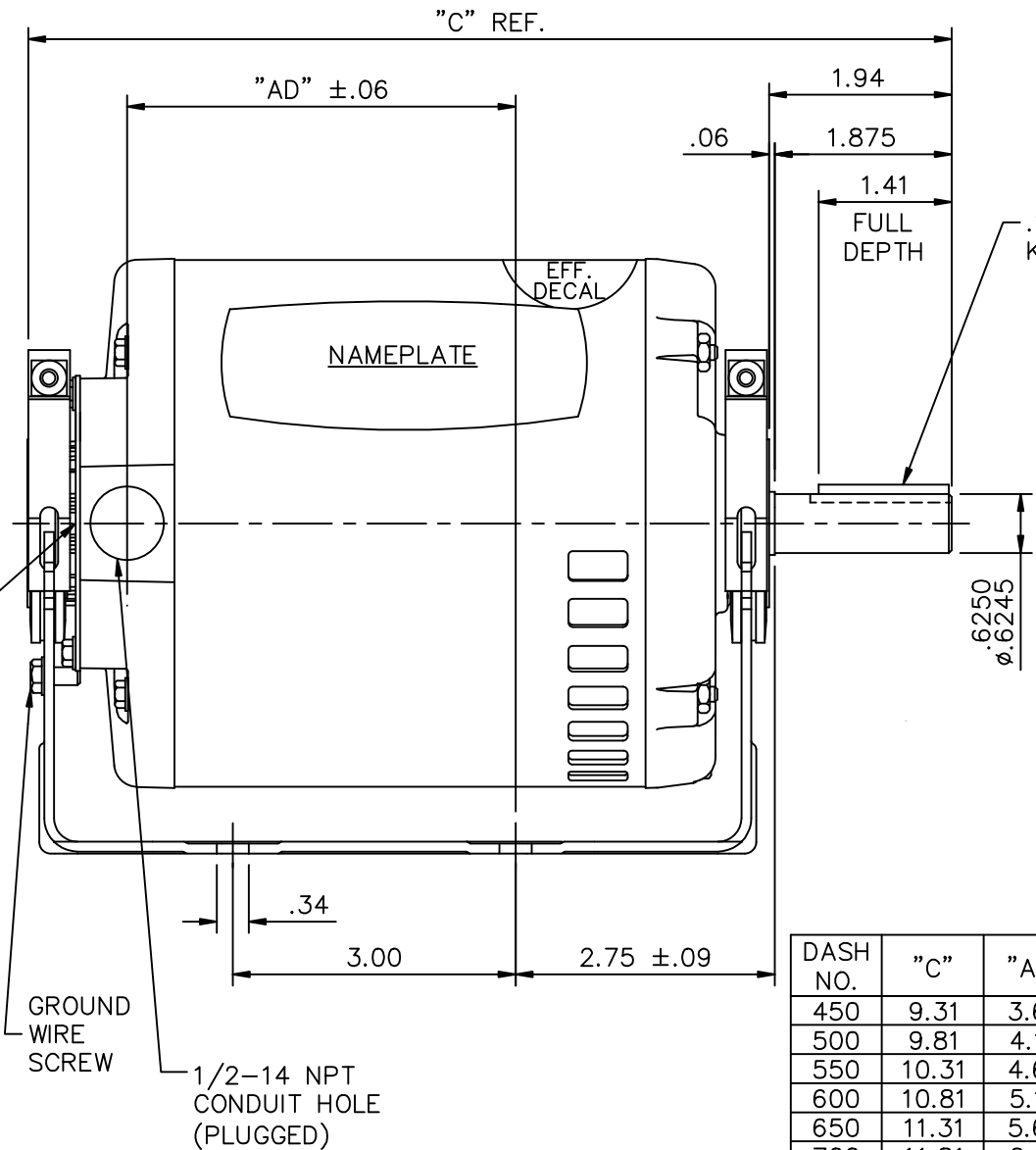
### Nameplate Specifications

Output HP	<b>0.75 Hp</b>	Output KW	<b>0.56 kW</b>
Frequency	<b>60 Hz</b>	Voltage	<b>230/460 V</b>
Current	<b>2.4/1.2 A</b>	Speed	<b>3450 rpm</b>
Service Factor	<b>1.25</b>	Phase	<b>3</b>
Efficiency	<b>79 %</b>	Duty	<b>Continuous</b>
Insulation Class	<b>B</b>	Design Code	<b>NO DESIGN CODE</b>
KVA Code	<b>K</b>	Frame	<b>56H</b>
Enclosure	<b>Drip Proof</b>	Overload Protector	<b>Automatic</b>
Ambient Temperature	<b>40 °C</b>	Drive End Bearing Size	<b>6203</b>
Opp Drive End Bearing Size	<b>6203</b>	UL	<b>Recognized</b>
CSA	<b>Y</b>	CE	<b>N</b>
IP Code	<b>22</b>		

### Technical Specifications

Electrical Type	<b>Squirrel Cage Induction Run</b>	Starting Method	<b>Across The Line</b>
Poles	<b>2</b>	Rotation	<b>Reversible</b>
Mounting	<b>Resilient Base</b>	Motor Orientation	<b>HORIZONTAL</b>
Drive End Bearing	<b>BALL</b>	Opp Drive End Bearing	<b>BALL</b>
Frame Material	<b>Rolled Steel</b>	Shaft Type	<b>NEMA 56</b>
Overall Length	<b>10.81 in</b>	Frame Length	<b>6.00 in</b>
Shaft Diameter	<b>0.625 in</b>	Shaft Extension	<b>1.88 in</b>
Assembly/Box Mounting	<b>F1 ONLY</b>		
Outline Drawing	<b>031807-600</b>	Connection Diagram	<b>005020.01</b>

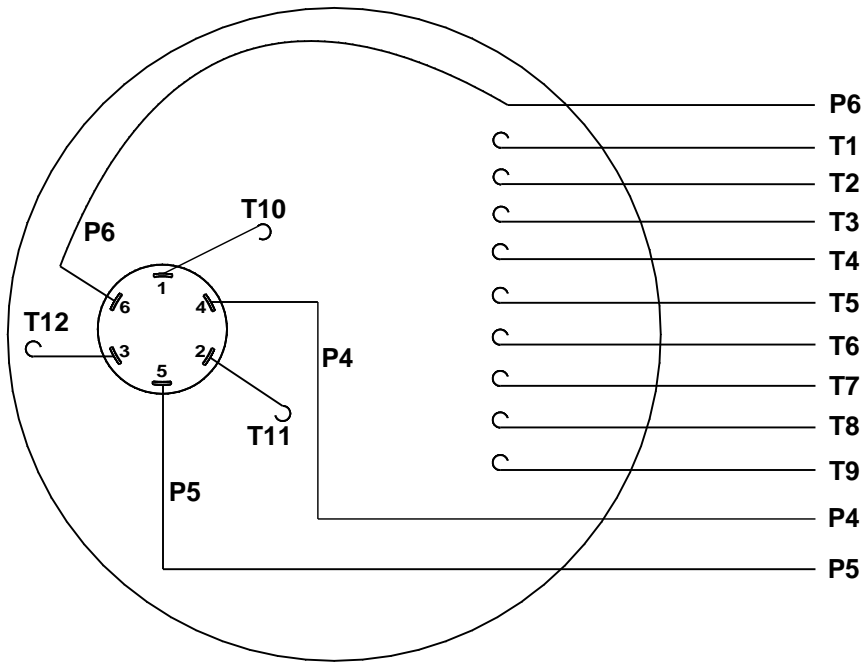
CONNECTION DECAL INSIDE COVER WHEN REQ'D  
WARNING DECAL ON OUTSIDE OF COVER



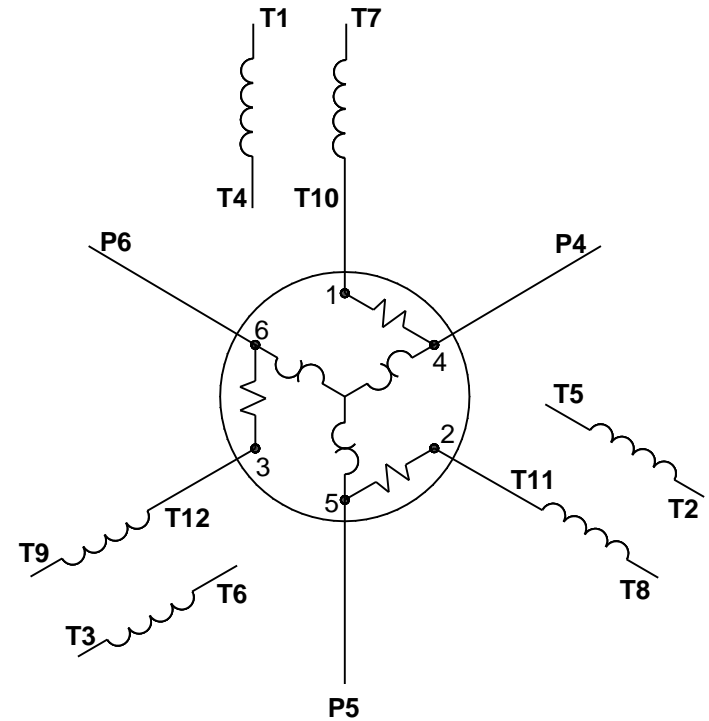
DASH NO.	"C"	"AD"
450	9.31	3.62
500	9.81	4.12
550	10.31	4.62
600	10.81	5.12
650	11.31	5.62
700	11.81	6.12

				TOLERANCES UNLESS SPECIFIED		<b>LEESON</b> ELECTRIC MOTORS GEARMOTORS AND DRIVES	DRAWN PG 02/18/05		
				DEC.	INCHES		CHK		
				.X	±.1	TITLE OUTLINE – S56 FRAME RESILIENT MOUNT – DRIP PROOF	APPD PG 02/18/05		
02	ADDED DECAL NOTES PER ASSEMBLY	GWS	8/19/11	.XXX	±.005		SCALE 1=2		
01	ADDED NOTE FOR GROUND WIRE SCREW	ARV	1/21/08	.XXXX	±.0005	MAT'L. 3 PHASE	REF 030485		
NO.	REVISION	BY & DATE	CHK	ANG	±1/2"		FINISH	FMF 101773.00	
THIS DRAWING IN DESIGN AND DETAIL IS OUR PROPERTY AND MUST NOT BE USED EXCEPT IN CONNECTION WITH OUR WORK ALL RIGHTS OF DESIGN AND INVENTION ARE RESERVED THIS IS AN ELECTRONICALLY GENERATED DOCUMENT – DO NOT SCALE THIS PRINT				RFP	CAD FILE	031807	SIZE	DRAWING NO.	REV.
				DIST	A	031807	02		

VIEW FROM OUTSIDE OF MOTOR AT SWITCH END.



LINE LEADS



VOLTAGE	L1	L2	L3	JOIN	SEPARATE
HIGH	T1	T2	T3	(T4, T7) (T5, T8) (T6, T9)	(P4), (P5), (P6)
LOW	T1, T7	T2, T8	T3, T9	(T4, P4) (T5, P5) (T6, P6)	

DRAWING REVISION D REVISION BY SM DATE 9/26/2016

ECO ECO-0109970 APPROVED BY SM DATE 9/26/2016

ECO DESCRIPTION UPDATED TO NEW TEMPLATE

COPYRIGHT REGAL BELOIT AMERICA, INC. ALL RIGHTS RESERVED. PROPRIETARY AND CONFIDENTIAL INFORMATION - THIS DOCUMENT IS THE PROPERTY OF REGAL BELOIT AMERICA, INC. ("OWNER") AND CONTAINS OWNER'S PROPRIETARY INFORMATION. ANY PERSON, CORPORATION OR OTHER FIRM RECEIVING IT IS DEEMED, BY RECEIVING IT, TO AGREE THAT IT, AND/OR ANY PART OF IT, SHALL NOT BE DISCLOSED TO ANY PERSON, CORPORATION OR OTHER ENTITY, DUPLICATED, AND/OR USED, EXCEPT AS EXPRESSLY APPROVED IN WRITING IN ADVANCE BY OWNER. THIS DOCUMENT SHALL BE RETURNED TO OWNER UPON REQUEST. IT MAY BE SUBJECT TO CERTAIN RESTRICTIONS UNDER APPLICABLE EXPORT CONTROL LAWS AND REGULATIONS.

TOLERANCES UNLESS OTHERWISE SPECIFIED:

DEC.	INCH	mm	ANGLE
.X	±0.1	[±2.5]	±0.5°
.XX	±0.01	[±0.25]	
.XXX	±0.005	[±0.127]	
.XXXX	±0.0005	[±0.0127]	

REMOVE BURRS & BREAK SHARP EDGES: .003/.015 [.076/.381] X 45°  
CORNER FILLETS: R.02 [.51]  
MACHINED SURFACES: 125/ INCH 3.2/ mm  
mm SHOWN IN [BRACKETS]

DRAWN BY ADH 02/25/74

DATE

APPROVED BY JCW 03/11/74

DATE

REFERENCE

THIRD ANGLE PROJECTION



Regal Beloit America, Inc.

DESCRIPTION  
**CONN DIAGRAM-EXTERNAL**  
TYPE "T" W/PROTECTOR

MATERIAL DECAL - 004023 PROCESS/FINISH ECO LAB

SIZE A DRAWING NUMBER 00502001 SHEET 1 OF 1



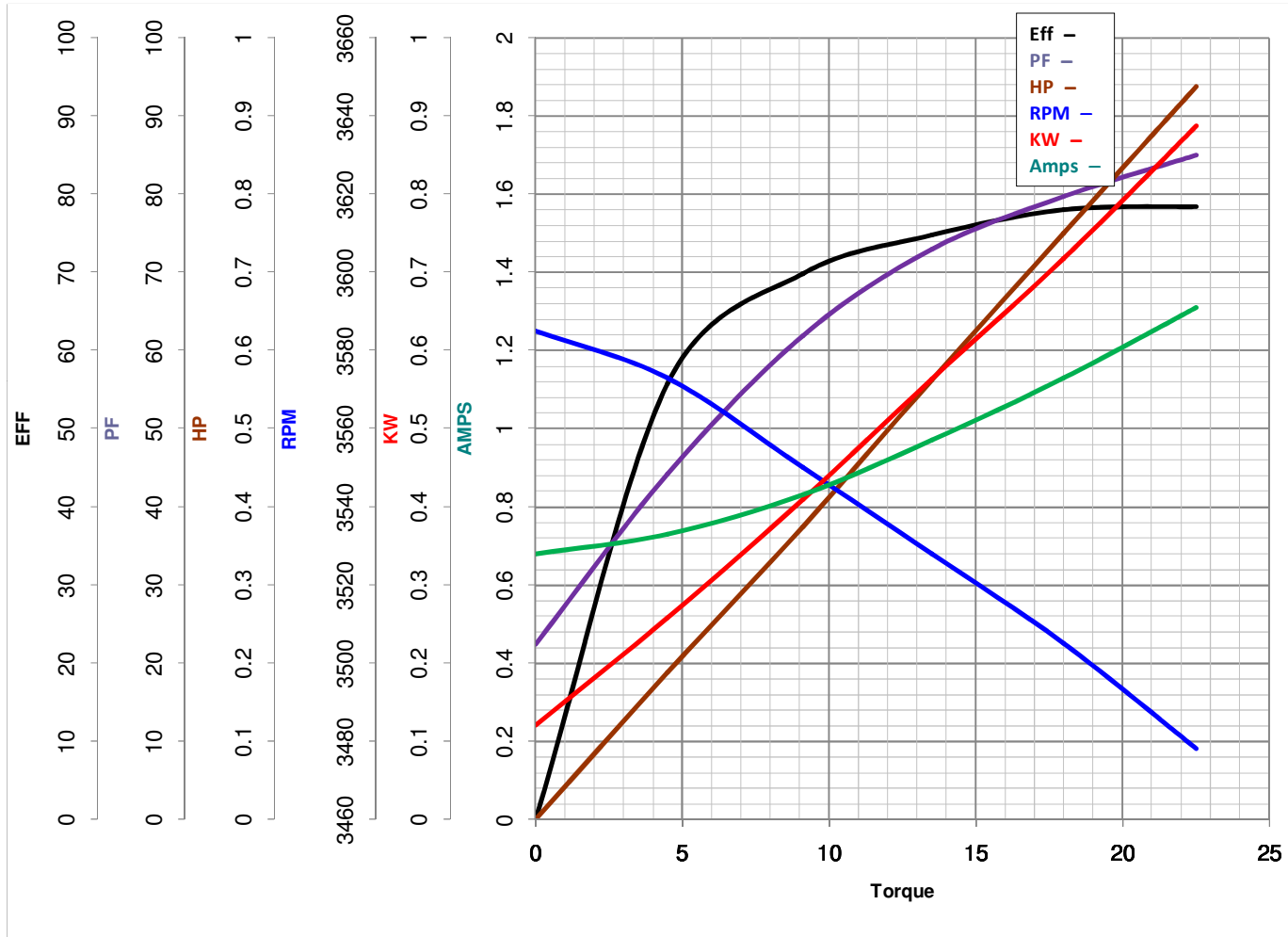
**LEESON ELECTRIC CORPORATION**  
 TYPICAL PERFORMANCE CURVE for AC MOTOR

Model No 101641.00

Catalog No 101641.00

Curve at 460 Volts      HP 0.75&0.75      PHASE 3  
60 HZ  
0.75 HP      VOLTS 230/460&208-230/460

HZ 60&50      RPM 3450&2850



Torque in Oz.Ft

FL TORQUE 18 Oz.Ft  
 BD TORQUE 73.3 Oz.Ft  
 LR TORQUE 53.6 Oz.Ft

FL AMPS 2.4/1.2  
 PU TORQUE 48.0 Oz.Ft  
 LR AMPS 8.54

WINDING T5527-6

Date 5/23/2018