

PRODUCT INFORMATION PACKET



Model No: C4C11FB5C

Catalog No: 102019.00

1/3HP..1140RPM.48.TEFC.115/208-230V.1PH.60HZ.CONT.NOT.40C.1.0SF.RIGID.GENERAL
PURPOSE.C4C11FB5C

Totally Enclosed Fan Cooled (TEFC)



Regal and Leeson are trademarks of Regal Beloit Corporation or one of its affiliated companies.

©2018 Regal Beloit Corporation, All Rights Reserved. MC017097E



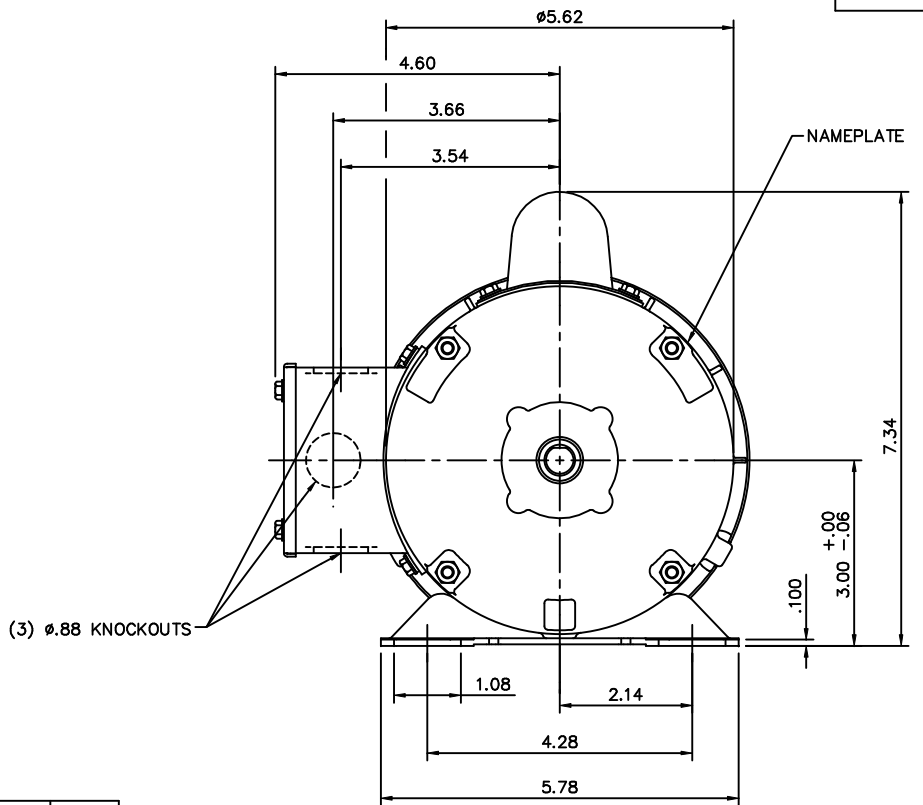
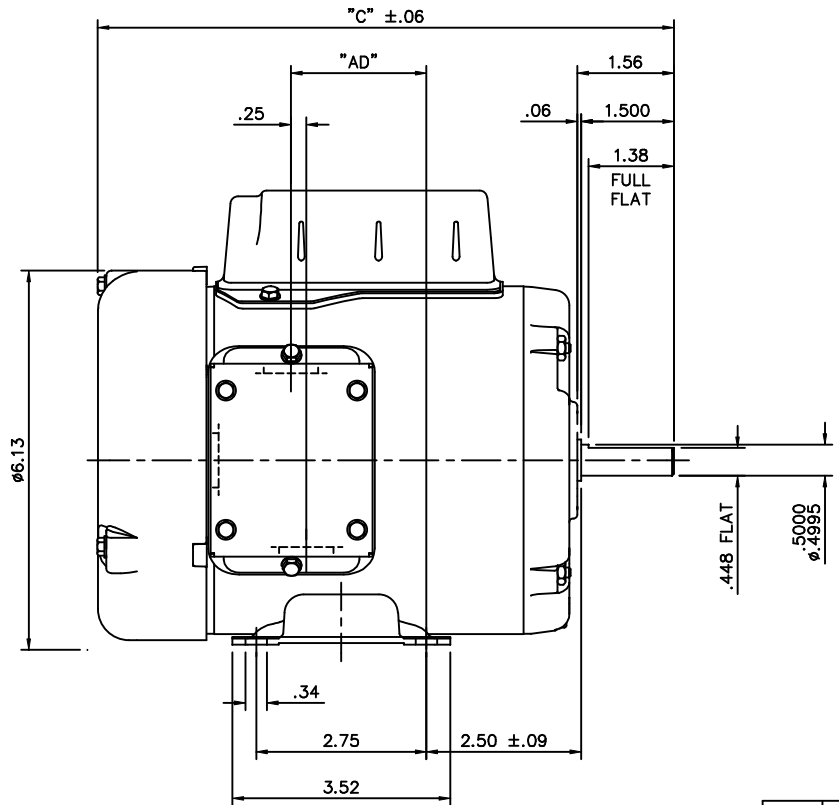


Nameplate Specifications

Output HP	0.33 Hp	Output KW	0.25 kW
Frequency	60 Hz	Voltage	115/208-230 V
Current	6.2/3.0-3.1 A	Speed	1140 rpm
Service Factor	1	Phase	1
Efficiency	59 %	Duty	Continuous
Insulation Class	F	Design Code	N
KVA Code	L	Frame	48
Enclosure	Totally Enclosed Fan Cooled	Overload Protector	No
Ambient Temperature	40 °C	Drive End Bearing Size	6203
Opp Drive End Bearing Size	6203	UL	Recognized
CSA	Y	CE	N
IP Code	43		

Technical Specifications

Electrical Type	Capacitor Start Induction Run	Starting Method	Across The Line
Poles	6	Rotation	Selective Counterclockwise
Mounting	Rigid base	Motor Orientation	HORIZONTAL
Drive End Bearing	BALL	Opp Drive End Bearing	BALL
Frame Material	Rolled Steel	Shaft Type	NEMA 48
Overall Length	11.56 in	Frame Length	7.25 in
Shaft Diameter	0.500 in	Shaft Extension	1.5 in
Assembly/Box Mounting	F1 ONLY		
Outline Drawing	031633-725	Connection Diagram	005005.44

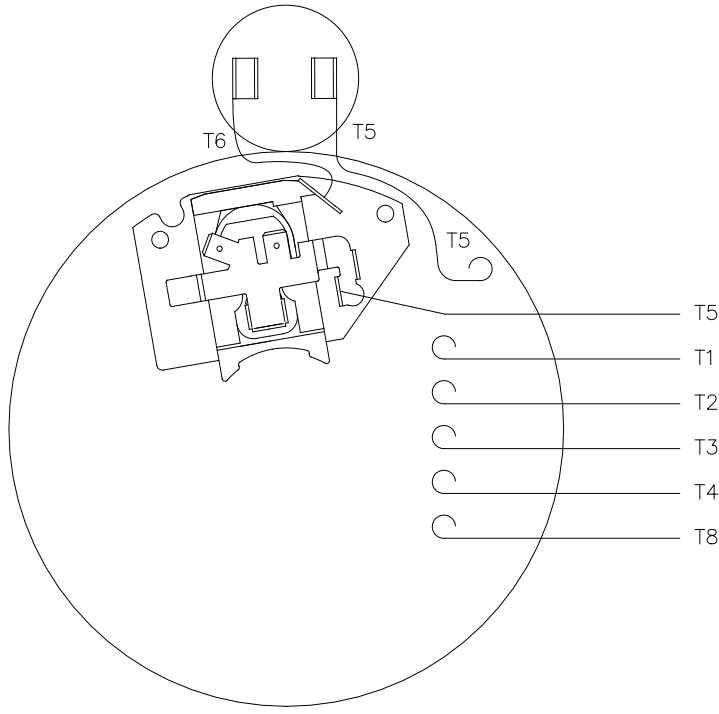


DASH NO.	"C"	"AD"
475	9.06	1.94
500	9.31	2.19
525	9.56	2.44
550	9.81	2.69
575	10.06	2.94
600	10.31	3.19
625	10.56	3.44
650	10.81	3.69
675	11.06	3.94
700	11.31	4.19
725	11.56	4.44

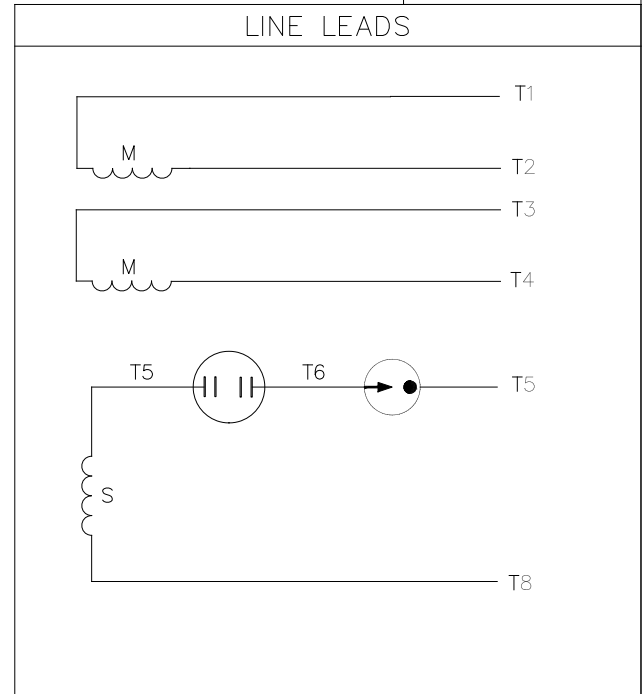
GASKETS THROUGHOUT

		TOLERANCES UNLESS SPECIFIED		LEESON ELECTRIC MOTORS GEARMOTORS AND DRIVES	DRAWN PG 5/30/01
		DEC.	INCHES		CHK
		.X	±.1	TITLE	APPD
		.XX	±.03	OUTLINE - 48 FRAME	SCALE 1=2
02	ADDED DASH NO. 725 (PR040408)	KMM	7/30/04	RIGID MOUNT - TEFC	REF 030391
01	ADDED DASH NO. 700 (PR030708)	PG	12/18/03	MAT'L 1 PHASE	FMF
NO.	REVISION	BY & DATE	CHK ANG	FINISH	PREV
THIS DRAWING IN DESIGN AND DETAIL IS OUR PROPERTY AND MUST NOT BE USED EXCEPT IN CONNECTION WITH OUR WORK ALL RIGHTS OF DESIGN AND INVENTION ARE RESERVED THIS IS AN ELECTRONICALLY GENERATED DOCUMENT - DO NOT SCALE THIS PRINT				RFP	CAD FILE 031633
				DIST	SIZE B DRAWING NO. 031633 REV. 02


005005-44



VIEW FROM OUTSIDE OF MOTOR AT SWITCH END



	ROTATION FACING LEAD END	L1	L2	JOIN
HIGH VOLT	C.C.W.	T1	T4, T5	T2, T3 T8
	C.W.	T1	T4, T8	T2, T3 T5
LOW VOLT	C.C.W.	T1 T3, T8	T2, T4 T5	
	C.W.	T1 T3, T5	T2, T4 T8	

				TOLERANCES UNLESS OTHERWISE SPECIFIED			 Regal Beloit America, Inc.	
				DEC.	INCHES	METRIC		
				.X	±.1	±2.5	DRAWN PG 5/7/01	TITLE EXTERNAL WIRING DIAGRAM TYPE "C" W/O PROTECTOR
				.XX	±.01	±.25	APPR.	MAT'L. DUAL VOLTAGE - DUAL ROTATION
01	MOVED T5 TO "INSIDE" SWITCH TERMINAL	PG 8/2/01		.XXX	±.005	±.127	R.F.P.	
NO.	REVISION	BY & DATE	CH'K'D.	.XXXX	±.0005	±.0127	SCALE 5=8	
THIS DRAWING IN DESIGN AND DETAIL IS OUR PROPERTY AND MUST NOT BE USED EXCEPT IN CONNECTION WITH OUR WORK ALL RIGHTS OF DESIGN AND INVENTION ARE RESERVED THIS IS AN ELECTRONICALLY GENERATED DOCUMENT - DO NOT SCALE THIS PRINT				FRACTIONS	±1/64		REF. 005005-01	FINISH
				ANGLES	±1/2"		FMF 100006	REV. 01



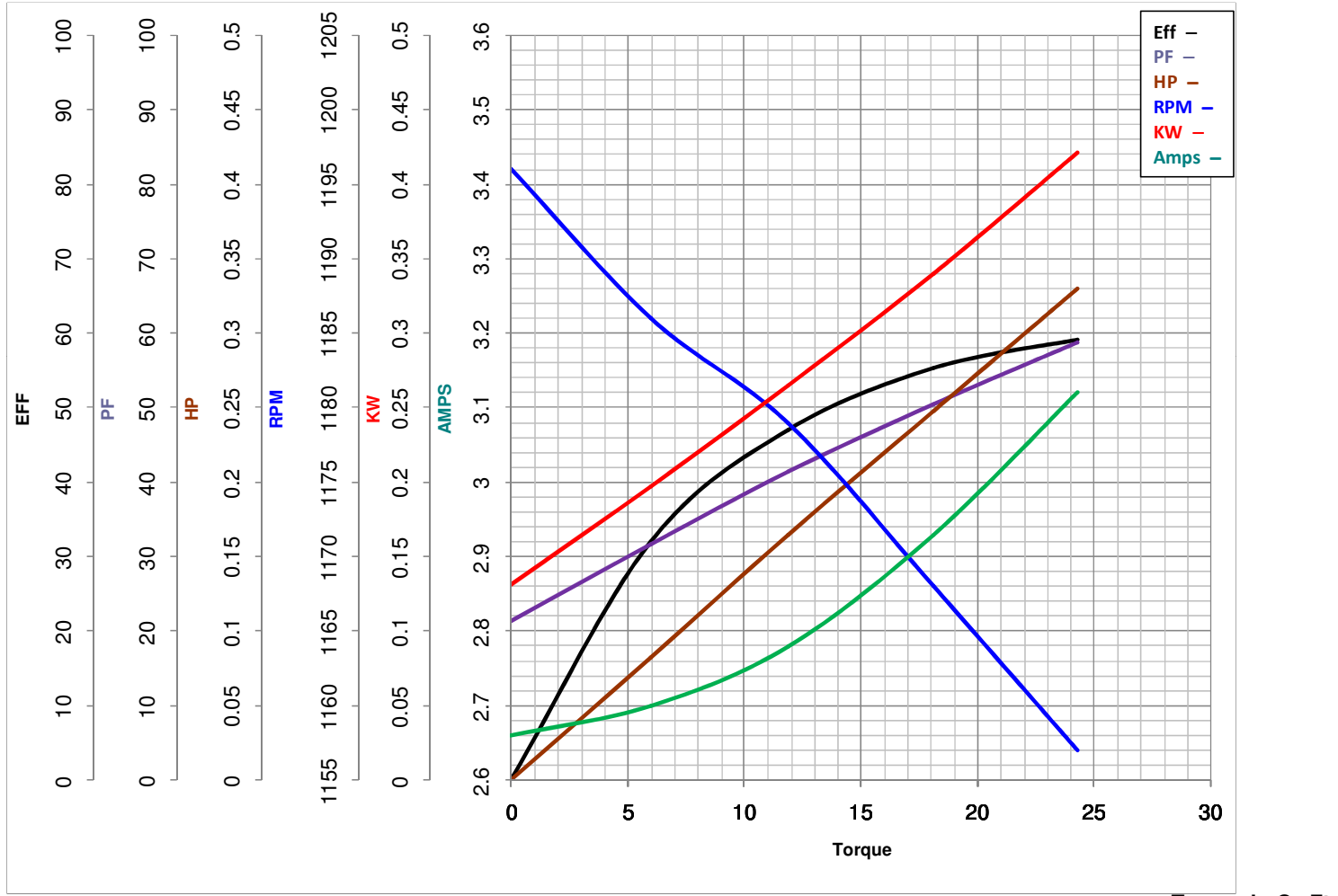
LEESON ELECTRIC CORPORATION
 TYPICAL PERFORMANCE CURVE for AC MOTOR

Model No 102019.00

Catalog No 102019.00

Curve at 230 Volts HP 0.33 PHASE 1
60 HZ
0.33 HP VOLTS 115/208-230

HZ 60 RPM 1140



FL TORQUE	<u>24.26</u> Oz.Ft	FL AMPS	<u>6.2/3-3.1</u>
BD TORQUE	<u>59.5</u> Oz.Ft	PU TORQUE	<u>41.1</u> Oz.Ft
LR TORQUE	<u>76.6</u> Oz.Ft	LR AMPS	<u>13.3</u>
WINDING	CE48617-3	Date	<u>4/11/2018</u>