

# PRODUCT INFORMATION PACKET



Model No: M4C17NC27B

Catalog No: 102869.00

..1/3HP..1725RPM.S56C.TENV.115/208-  
230V.1PH.60HZ.CONT.40C.1.15SF.ROUND.M4C17NC27B.....S56C Platform Model.MANUAL.....  
Totally Enclosed Non-Ventilated (TENV)



Regal and Leeson are trademarks of Regal Beloit Corporation or one of its affiliated companies.

©2018 Regal Beloit Corporation, All Rights Reserved. MC017097E





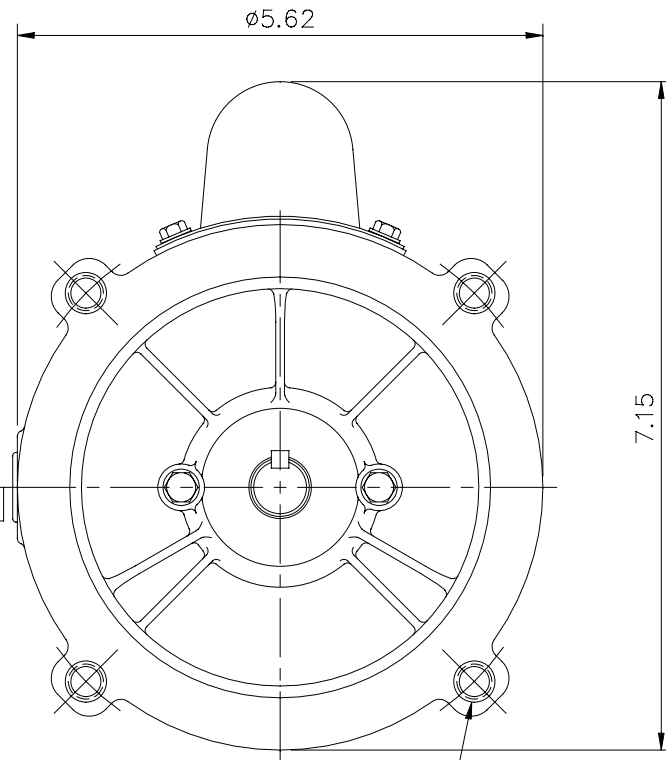
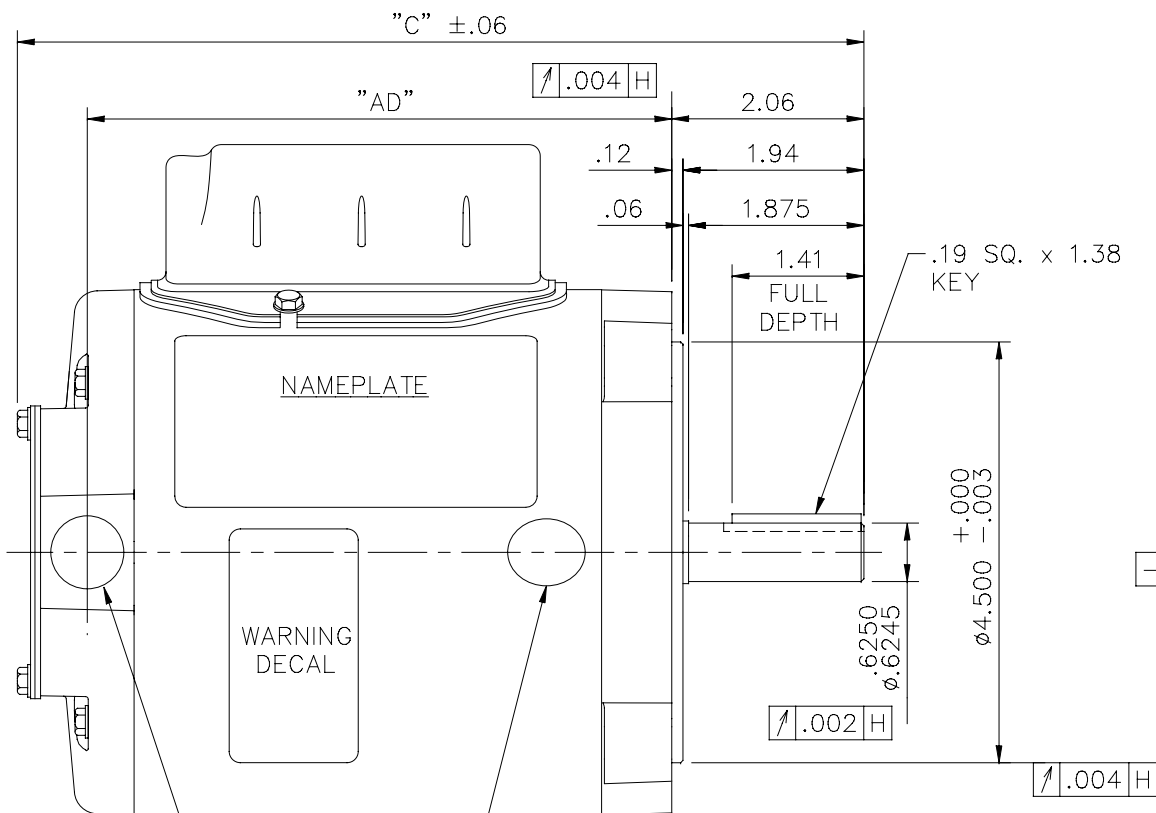
### Nameplate Specifications

Output HP	<b>0.33 Hp</b>	Output KW	<b>0.25 kW</b>
Frequency	<b>60 Hz</b>	Voltage	<b>115/208-230 V</b>
Current	<b>5.2/2.6-2.6 A</b>	Speed	<b>1725 rpm</b>
Service Factor	<b>1.15</b>	Phase	<b>1</b>
Efficiency	<b>65 %</b>	Duty	<b>Continuous</b>
Insulation Class	<b>F</b>	Design Code	<b>N</b>
KVA Code	<b>J</b>	Frame	<b>S56C</b>
Enclosure	<b>Totally Enclosed Non Ventilated</b>	Overload Protector	<b>Manual</b>
Ambient Temperature	<b>40 °C</b>	Drive End Bearing Size	<b>6203</b>
Opp Drive End Bearing Size	<b>6203</b>	UL	<b>Recognized</b>
CSA	<b>Y</b>	CE	<b>N</b>
IP Code	<b>43</b>		

### Technical Specifications

Electrical Type	<b>Capacitor Start Induction Run</b>	Starting Method	<b>Across The Line</b>
Poles	<b>4</b>	Rotation	<b>Selective Counterclockwise</b>
Mounting	<b>Round</b>	Motor Orientation	<b>HORIZONTAL</b>
Drive End Bearing	<b>BALL</b>	Opp Drive End Bearing	<b>BALL</b>
Frame Material	<b>Rolled Steel</b>	Shaft Type	<b>T</b>
Overall Length	<b>10.30 in</b>	Frame Length	<b>6.25 in</b>
Shaft Diameter	<b>0.625 in</b>	Shaft Extension	<b>1.88 in</b>
Assembly/Box Mounting	<b>F1 ONLY</b>		
Outline Drawing	<b>031754-625</b>	Connection Diagram	<b>005003.52</b>

031754




1/2-14 NPT  
CONDUIT HOLE  
(PLUGGED)

EFF. DECAL  
(WHEN REQUIRED)

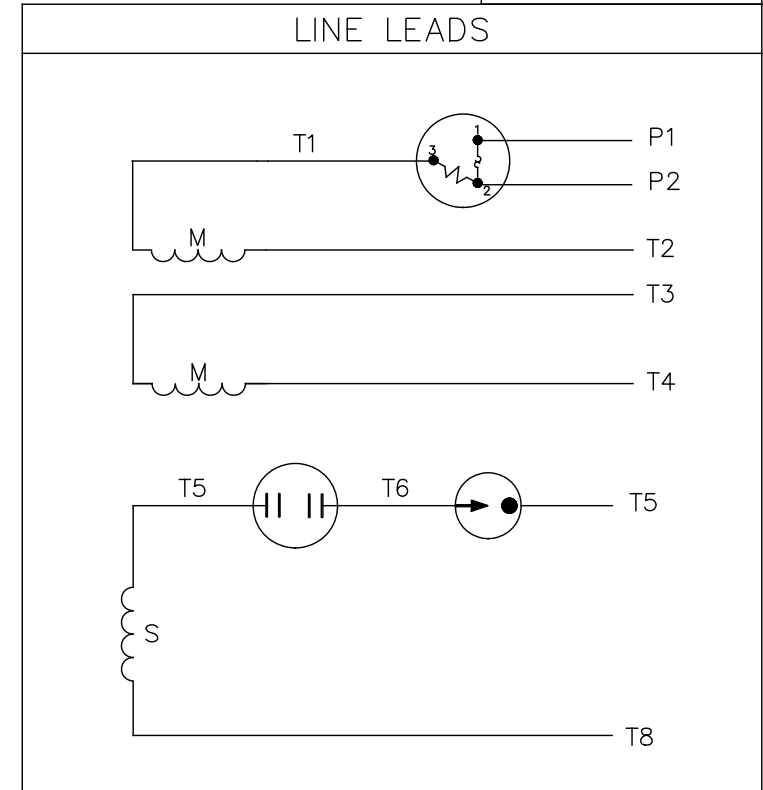
GASKETS THROUGHOUT

DASH NO.	"C"	"AD"
475	8.80	6.00
500	9.05	6.25
525	9.30	6.50
550	9.55	6.75
575	9.80	7.00
600	10.05	7.25
625	10.30	7.50
650	10.55	7.75
675	10.80	8.00
700	11.05	8.25

3/8-16 UNC 2B TAP x .56 DEEP  
(4) REQ'D. ON A 5.875 B.C.

				TOLERANCES UNLESS SPECIFIED		 ELECTRIC MOTORS GEARMOTORS AND DRIVES		DRAWN PG 10/27/03		
				DEC.	INCHES			CHK		
				.X	±.1	APPD				
				.XX	±.03	TITLE		SCALE	1=2	
				.XXX	±.005	OUTLINE - S56C FRAME "C" FACE MOUNT - ENCLOSED		REF	031727	
A	UPDATED WITH CAP BOX, WARNING DECAL & EFF DECAL	SL	10/08/15	VS	.XXXX	±.0005	MAT'L.	1 PHASE	FMF	110405.00
NO.	REVISION	BY & DATE	CHK	ANG	±1/2"	FINISH	STANDARD	PREV		
THIS DRAWING IN DESIGN AND DETAIL IS OUR PROPERTY AND MUST NOT BE USED EXCEPT IN CONNECTION WITH OUR WORK ALL RIGHTS OF DESIGN AND INVENTION ARE RESERVED THIS IS AN ELECTRONICALLY GENERATED DOCUMENT - DO NOT SCALE THIS PRINT				RFP	CAD FILE		031754	SIZE	DRAWING NO.	REV.
				DIST			A	031754		

VIEW FROM OUTSIDE OF MOTOR AT SWITCH END.



	ROTATION FACING LEAD END	L1	L2	JOIN	INSULATE SEPARATELY
HIGH VOLT	C.C.W.	P1	T4 T5	T2, T3 T8	P2
	C.W.	P1	T4 T8	T2, T3 T5	P2
LOW VOLT	C.C.W.	P1	T2, T4 T5	P2, T3 T8	--
	C.W.	P1	T2, T4 T8	P2, T3 T5	--

		TOLERANCES UNLESS SPECIFIED		REGAL™ Regal Beloit America, Inc.		DRAWN PG 6/8/01			
		DEC.	INCHES			CHK			
		.X	±.1			APPD			
		.XX	±.01	TITLE		SCALE 1=1			
02	CHANGED CAMPANY LOGO ONLY	AS	11/08/16	.XXX	±.005	REF 005003-01			
01	MOVED T5 TO "INSIDE" SWITCH TERMINAL	PG	8/2/01	CD	.XXXX ±.0005	MAT'L. DUAL VOLTAGE - DUAL ROTATION			
NO.	REVISION	BY & DATE	CHK	ANG	±1/2"	FINISH DECAL - 004011			
THIS DRAWING IN DESIGN AND DETAIL IS OUR PROPERTY AND MUST NOT BE USED EXCEPT IN CONNECTION WITH OUR WORK ALL RIGHTS OF DESIGN AND INVENTION ARE RESERVED THIS IS AN ELECTRONICALLY GENERATED DOCUMENT - DO NOT SCALE THIS PRINT				RFP	CAD FILE	00500352	SIZE A	DRAWING NO. 005003-52	REV. 02
				DIST					

