

PRODUCT INFORMATION PACKET



Model No: A4C17DJ74B
Catalog No: 102965.00
..1/2HP..1725RPM.S56.DP./277V.1PH.60HZ.CONT.40C.1.25SF.RESILIENT
BASE.A4C17DJ74B...AUTOMATIC.....
Fan and Blower



Regal and Leeson are trademarks of Regal Beloit Corporation or one of its affiliated companies.

©2018 Regal Beloit Corporation, All Rights Reserved. MC017097E





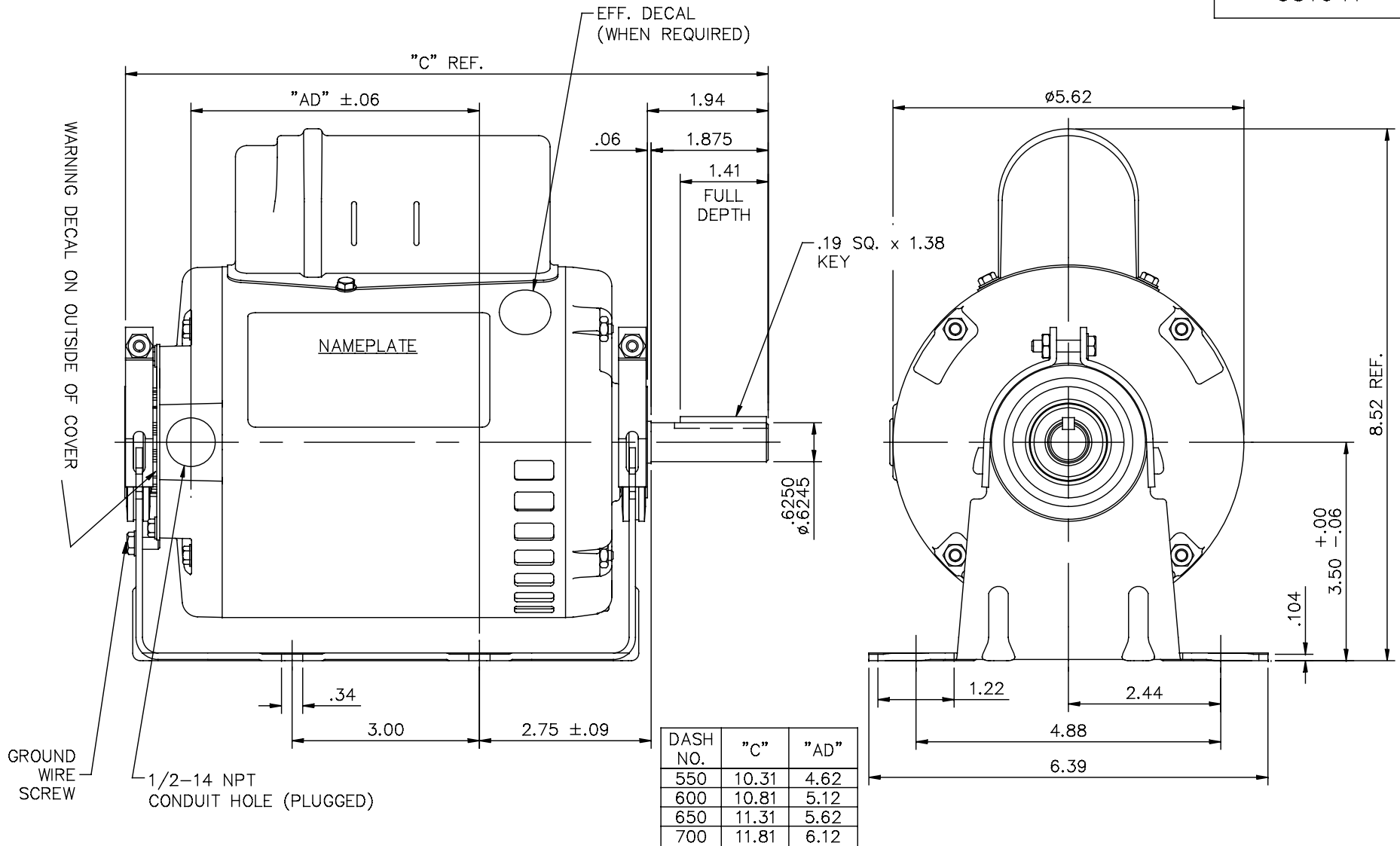
Nameplate Specifications

Output HP	0.50 Hp	Output KW	0.37 kW
Frequency	60 Hz	Voltage	277 V
Current	3.7 A	Speed	1725 rpm
Service Factor	1.25	Phase	1
Efficiency	62 %	Duty	Continuous
Insulation Class	B	Design Code	N
KVA Code	K	Frame	S56
Enclosure	Drip Proof	Overload Protector	Automatic
Ambient Temperature	40 °C	Drive End Bearing Size	6203
Opp Drive End Bearing Size	6203	UL	Recognized
CSA	Y	CE	N
IP Code	22		

Technical Specifications

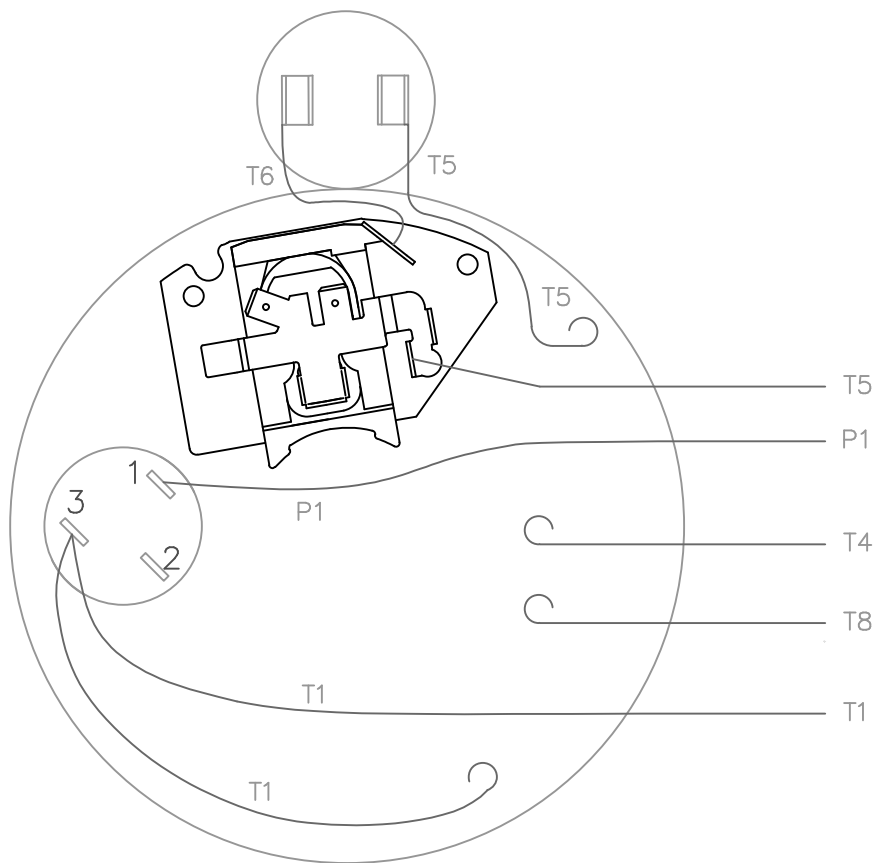
Electrical Type	Capacitor Start Induction Run	Starting Method	Across The Line
Poles	4	Rotation	Selective Counterclockwise
Mounting	Resilient Base	Motor Orientation	HORIZONTAL
Drive End Bearing	BALL	Opp Drive End Bearing	BALL
Frame Material	Rolled Steel	Shaft Type	NEMA 56
Overall Length	10.81 in	Frame Length	6.00 in
Shaft Diameter	0.625 in	Shaft Extension	1.88 in
Assembly/Box Mounting	F1 ONLY		
Outline Drawing	031641-600	Connection Diagram	005028.21

031641

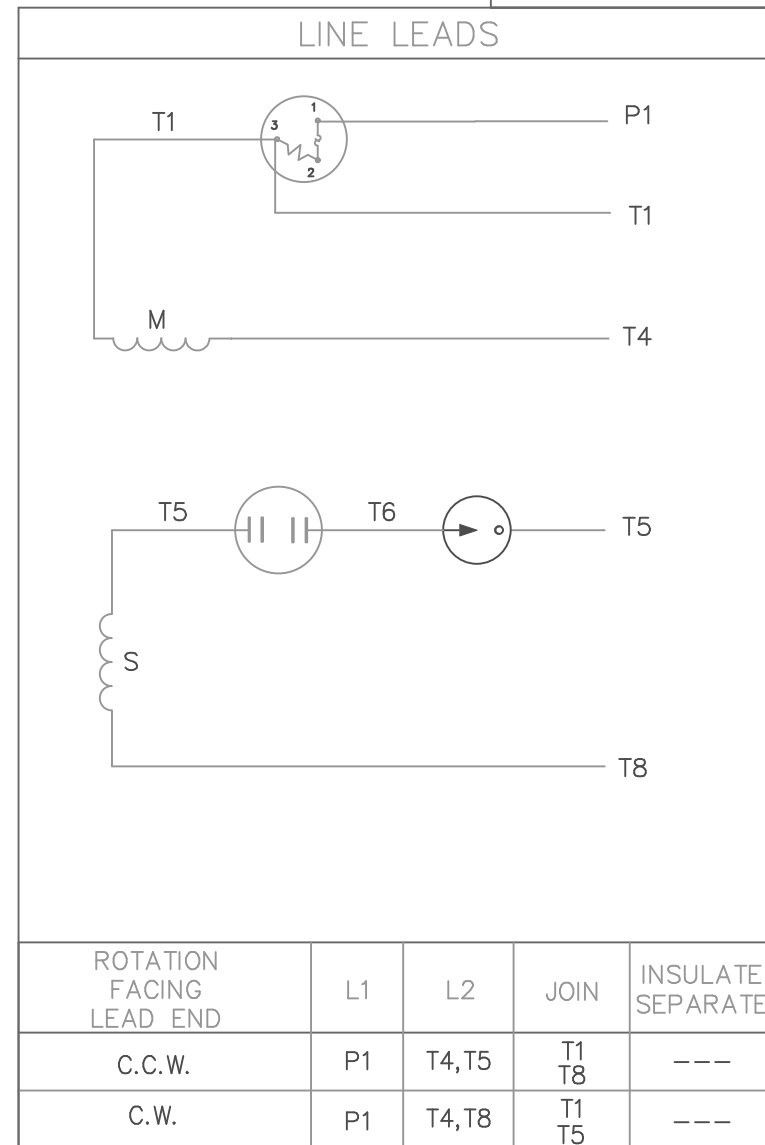


DASH NO.	"C"	"AD"
550	10.31	4.62
600	10.81	5.12
650	11.31	5.62
700	11.81	6.12

				TOLERANCES UNLESS OTHERWISE SPECIFIED			LEESON ELECTRIC CORPORATION				
				DEC.	INCHES	METRIC					
				.X	±.1	±2.5	DRAWN	PG 7/25/01	TITLE	OUTLINE - S56 FRAME	
A	UPDATED WITH GROUND SCREW, OUTSIDE COVER	SL	10/09/15	JD	.XX	±.03	±.76	APPR.		RESILIENT MOUNT - DRIP PROOF	
	& EFF DECAL				.XXX	±.005	±.127	R.F.P.		MAT'L.	
					.XXX	±.0005	±.0127	SCALE	1=2	1 PHASE	
NO.	REVISION	BY & DATE	CH'K'D.								
THIS DRAWING IN DESIGN AND DETAIL IS OUR PROPERTY AND MUST NOT BE USED EXCEPT IN CONNECTION WITH OUR WORK ALL RIGHTS OF DESIGN AND INVENTION ARE RESERVED THIS IS AN ELECTRONICALLY GENERATED DOCUMENT - DO NOT SCALE THIS PRINT				FRACTIONS	±1/64	REF.	030485	FINISH		REV.	DRAWING NO.
				ANGLES	±1/2°	FMF			A	031641	



VIEW FROM OUTSIDE OF MOTOR AT SWITCH END



				TOLERANCES UNLESS OTHERWISE SPECIFIED			LEESON ELECTRIC CORPORATION				
				DEC.	INCHES	METRIC					DRAWN
				.X	±.1	±2.5	APPR.		EXTERNAL WIRING DIAGRAM TYPE "C" W/PROTECTOR		
				.XX	±.01	±.25	R.F.P.		MAT'L. SINGLE VOLTAGE - DUAL ROTATION DECAL - 004015		
				.XXX	±.005	±.127	SCALE	5=8			
NO.	REVISION	BY & DATE	CH'K'D.	.XXXX	±.0005	±.0127	REF.	PAGE 1	FINISH	REV.	DRAWING NO.
				FRACTIONS	±1/64		FMF	101621			005028-21
				ANGLES	±1/2°						

