

PRODUCT INFORMATION PACKET



Model No: CZ4T17VZ15A

Catalog No: 103400.00

1/3HP..25KW.1800RPM.IEC 80.TENV.230/460V.3PH.60HZ.CONT.NOT.40C.1.15SF.B14.Stainless
Washdown.
Washguard



Regal and Leeson are trademarks of Regal Beloit Corporation or one of its affiliated companies.

©2018 Regal Beloit Corporation, All Rights Reserved. MC017097E



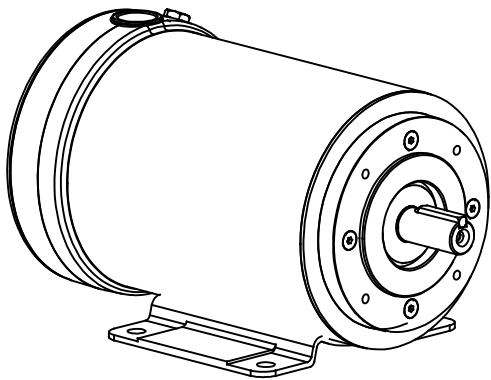
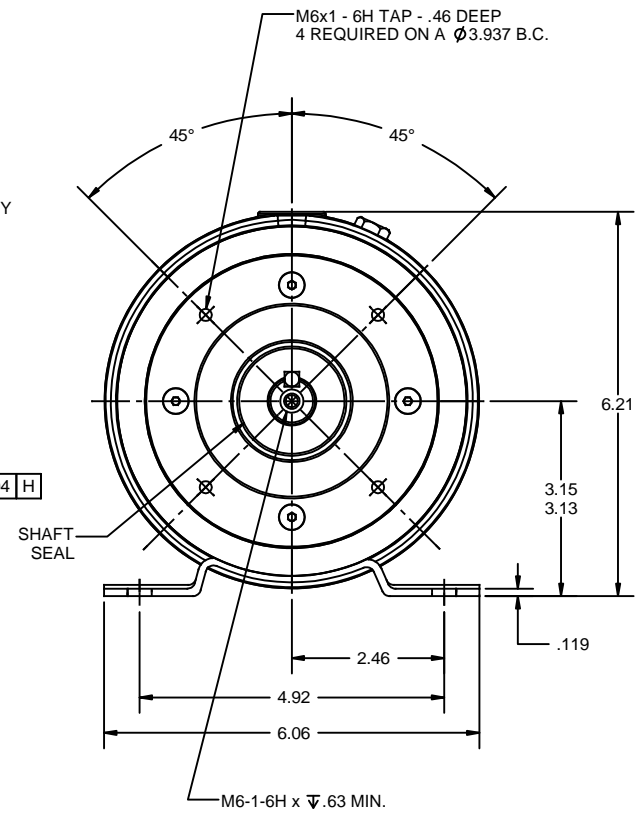
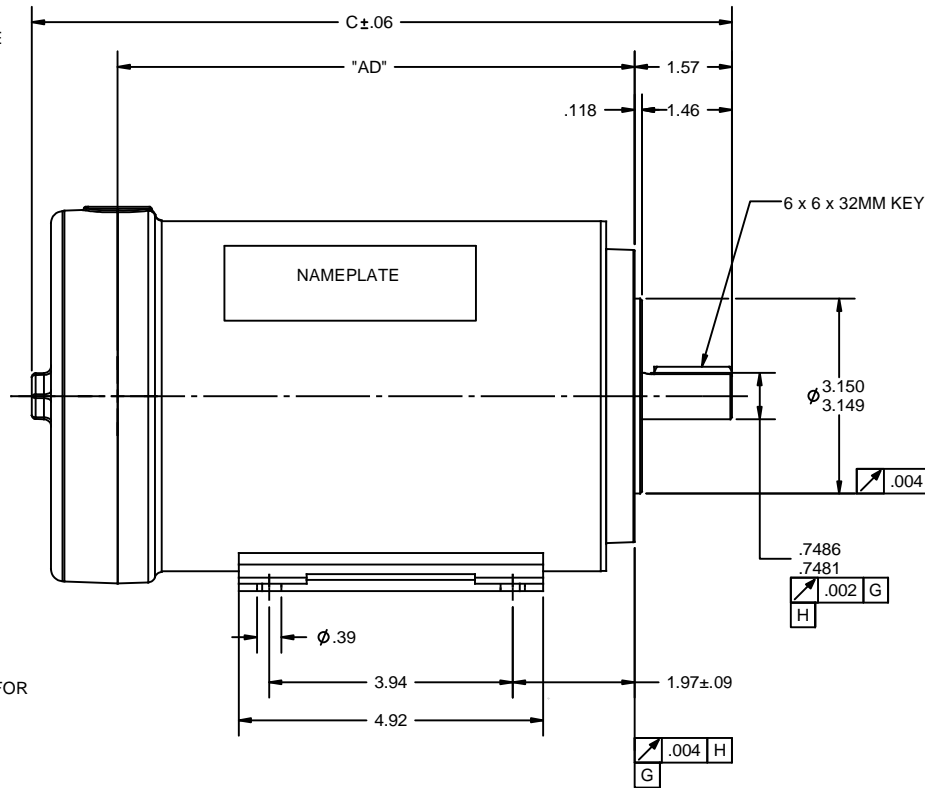
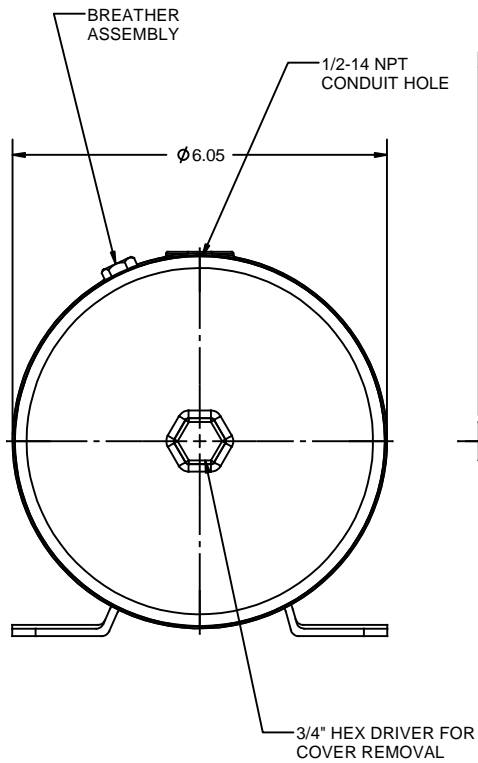


Nameplate Specifications

Output HP	0.33 Hp	Output KW	0.25 kW
Frequency	60 Hz	Voltage	208-230/460 V
Current	1.3-1.3/0.65 A	Speed	1725 rpm
Service Factor	1.15	Phase	3
Efficiency	70.5 %	Duty	Continuous
Insulation Class	F	Design Code	B
KVA Code	K	Frame	80
Enclosure	Totally Enclosed Non Ventilated	Overload Protector	No
Ambient Temperature	40 °C	Drive End Bearing Size	6204
Opp Drive End Bearing Size	6204	UL	Recognized
CSA	Y	CE	Y
IP Code	56		

Technical Specifications

Electrical Type	Squirrel Cage Induction Run	Starting Method	Across The Line
Poles	4	Rotation	Reversible
Mounting	Rigid base	Motor Orientation	HORIZONTAL
Drive End Bearing	BALL	Opp Drive End Bearing	BALL
Frame Material	Stainless Steel	Shaft Type	IEC
Overall Length	9.72 in	Frame Length	5.50 in
Shaft Diameter	0.750 in	Shaft Extension	1.57 in
Assembly/Box Mounting	F1 ONLY		
Outline Drawing	031995-625	Connection Diagram	005010-01

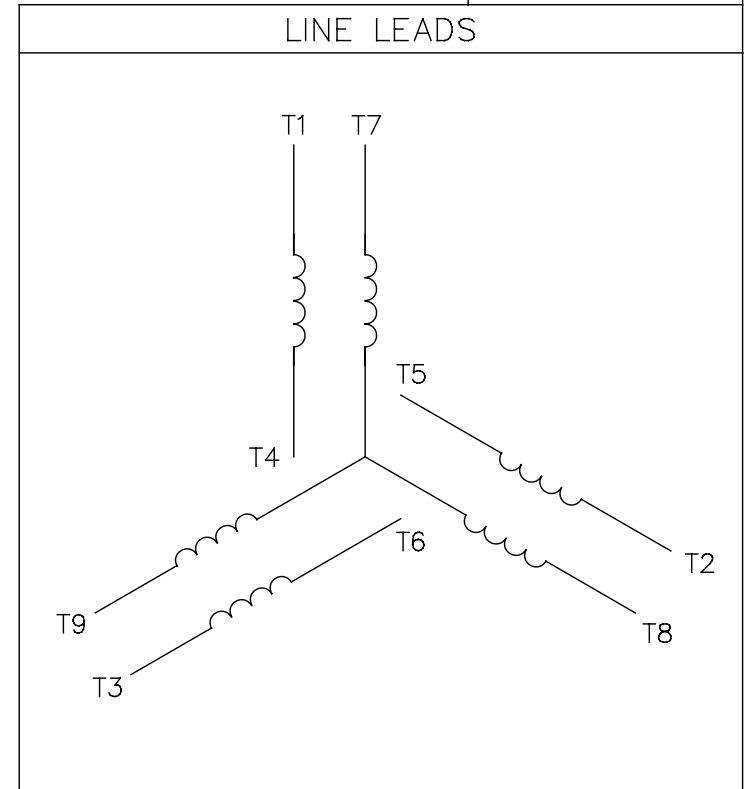


DASH NO.	"C"	"AD"
550	9.72	6.75
600	10.22	7.25
650	10.72	7.75
700	11.22	8.25
725	11.47	8.50
750	11.72	8.75

		TOLERANCES UNLESS SPECIFIED		LEESON ELECTRIC MOTORS GEARMOTORS AND DRIVES		DRAWN VV 12/25/09	
		DEC INCHES				CHK JJK 12/25/09	
		X ± 1				APPR	
03	ADDED BASE HT. DIMENSIONS	PG 6/17/2011	.XX ± 0.03	TITLE OUTLINE - PREMIUM DUCK		SCALE 1:2	
02	CORRECTED FACE MTG. HOLE B.C. TO MATCH ENDBELL.	PG 6/14/2011	.XXX ± 0.005	IEC 80- B14 FRAME- RIGID BASE		REF 031730	
01	LEAD EXIT WAS AT 9 O'CLOCK ISAAC 10-4197	SAD 10/12/2010	GWS XXXX ± 0.0005	MATL		FMF 103401	
NO	REVISION	BY & DATE	CHK ANG $\pm 1/2^\circ$	FINISH		PAGE 1 OF 1	
THIRD ANGLE PROJECTION			RFP	PREV	SIZE B	DRAWING NO 031995	REV 03
				NETWORK FILE NAME 031995			

005010-01

VIEW FROM OUTSIDE OF MOTOR AT SWITCH END.



VOLTAGE	L1	L2	L3	JOIN & INSULATE
HIGH	T1	T2	T3	(T4,T7) (T5,T8) (T6,T9)
LOW	T1,T7	T2,T8	T3,T9	T4,T5,T6

		TOLERANCES UNLESS SPECIFIED		REGAL™ Regal Beloit America, Inc.		DRAWN RDW 04/12/02				
		DEC.	INCHES	TITLE		CHK				
		.X	±.1	EXTERNAL WIRING DIAGRAM		APPD				
		.XX	±.01	3 PHASE W/O PROTECTOR		SCALE 1=1				
		.XXX	±.005	DECAL - 004014		REF FIG.2-51				
A	UPDATED TO REGAL LOGO	SAJ	06/26/15	AJY	.XXXX ±.0005	FMF				
NO.	REVISION	BY & DATE	CHK	ANG	±1/2"	PREV				
THIS DRAWING IN DESIGN AND DETAIL IS OUR PROPERTY AND MUST NOT BE USED EXCEPT IN CONNECTION WITH OUR WORK ALL RIGHTS OF DESIGN AND INVENTION ARE RESERVED THIS IS AN ELECTRONICALLY GENERATED DOCUMENT - DO NOT SCALE THIS PRINT				RFP	04/12/02	CAD FILE	00501001	SIZE	DRAWING NO.	REV.
				DIST	BRF-NLV	A		005010-01	A	



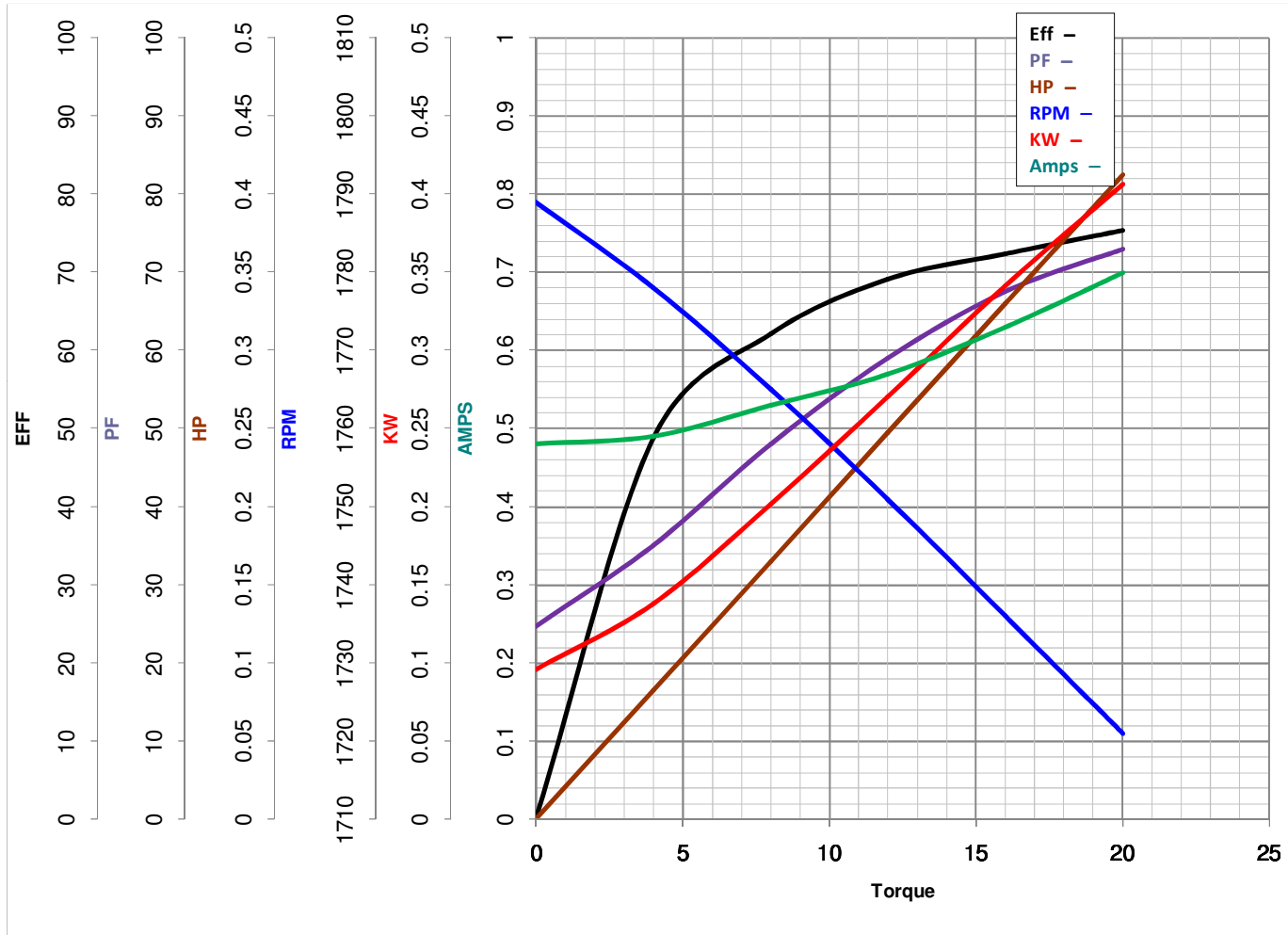
LEESON ELECTRIC CORPORATION
 TYPICAL PERFORMANCE CURVE for AC MOTOR

Model No 103400.00

Catalog No 103400.00

Curve at 460 Volts HP 0.34&0.34 PHASE 3
60 HZ
0.33 HP VOLTS 208-230/460&190/380

HZ 60&50 RPM 1725&1425



Torque in Oz.Ft

FL TORQUE 16 Oz.Ft
 BD TORQUE 79.6 Oz.Ft
 LR TORQUE 69.6 Oz.Ft

FL AMPS 1.3-1.3/65
 PU TORQUE 68.7 Oz.Ft
 LR AMPS 4.4

WINDING T5548-3

Date 5/22/2018