

PRODUCT INFORMATION PACKET



Model No: CZ4T17WZ9A

Catalog No: 103407.00

.3/4HP-.55KW..1800RPM.IEC 80.TEFC.230/460V.3PH.60HZ.CONT.40C.1.15SF.B5.....Washdown
Stainless.NOT.....55KW...

Washguard



Regal and Leeson are trademarks of Regal Beloit Corporation or one of its affiliated companies.

©2018 Regal Beloit Corporation, All Rights Reserved. MC017097E



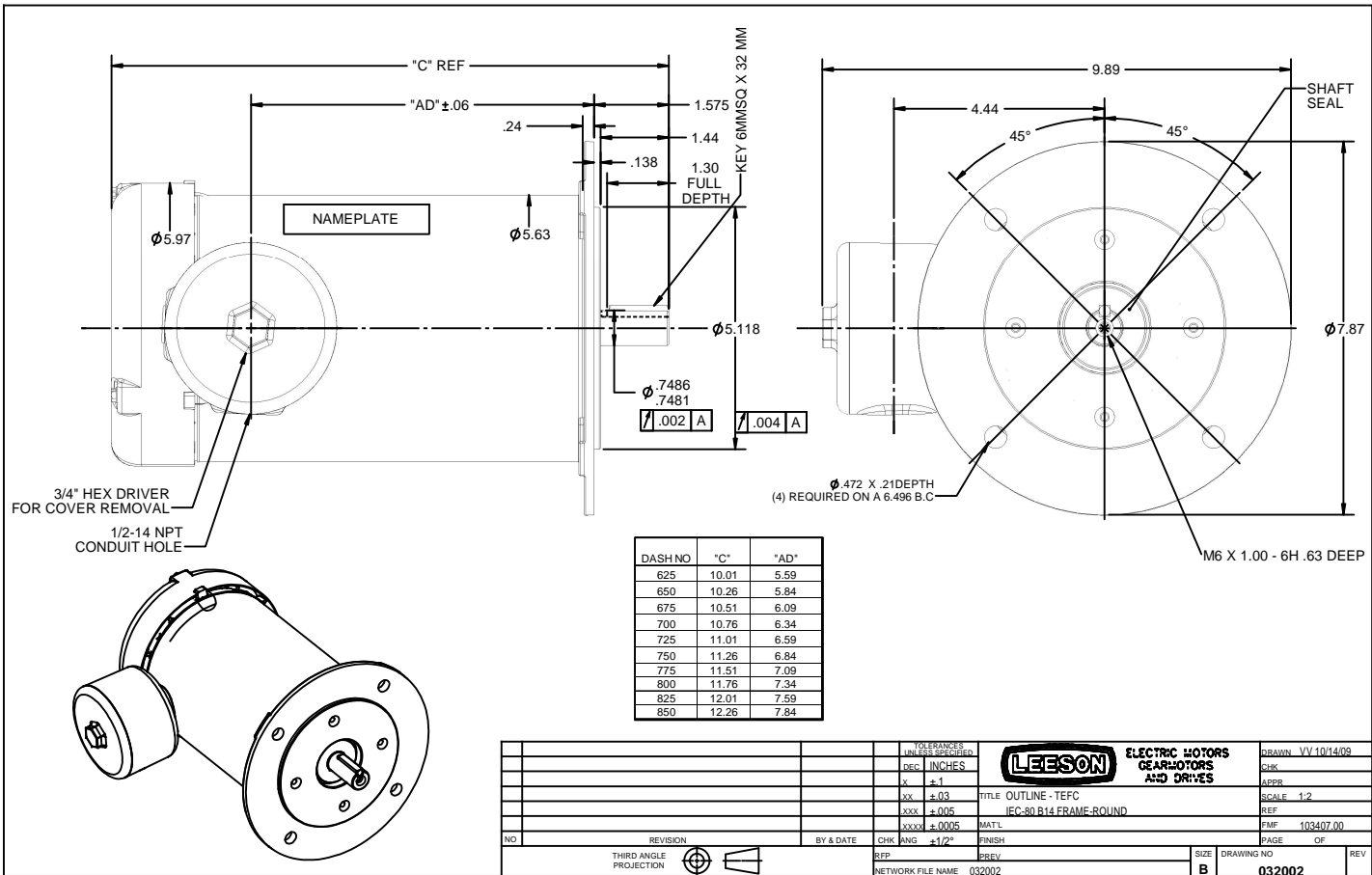


Nameplate Specifications

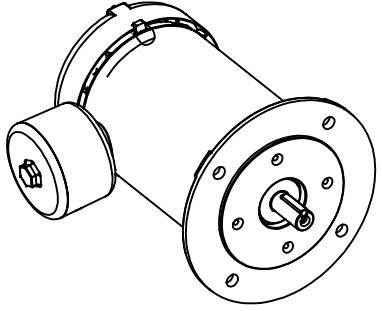
Output HP	0.75 Hp	Output KW	0.56 kW
Frequency	60 Hz	Voltage	208-230/460 V
Current	2.5-2.4/1.2 A	Speed	1725 rpm
Service Factor	1.15	Phase	3
Efficiency	78.5 %	Duty	Continuous
Insulation Class	F	Design Code	B
KVA Code	K	Frame	80
Enclosure	Totally Enclosed Fan Cooled	Overload Protector	No
Ambient Temperature	40 °C	Drive End Bearing Size	6204
Opp Drive End Bearing Size	6204	UL	Recognized
CSA	Y	CE	Y
IP Code	56		

Technical Specifications

Electrical Type	Squirrel Cage Induction Run	Starting Method	Across The Line
Poles	4	Rotation	Reversible
Mounting	Round	Motor Orientation	HORIZONTAL
Drive End Bearing	BALL	Opp Drive End Bearing	BALL
Frame Material	Stainless Steel	Shaft Type	IEC
Overall Length	12.26 in	Frame Length	8.50 in
Shaft Diameter	0.750 in	Shaft Extension	1.57 in
Assembly/Box Mounting	F1 ONLY		
Outline Drawing	032002-850	Connection Diagram	005010-01



3/4" HEX DRIVER FOR COVER REMOVAL
1/2-14 NPT CONDUIT HOLE



DASH NO	"C"	"AD"
625	10.01	5.59
650	10.26	5.84
675	10.51	6.09
700	10.76	6.34
725	11.01	6.59
750	11.26	6.84
775	11.51	7.09
800	11.76	7.34
825	12.01	7.59
850	12.26	7.84

NO		REVISION	BY & DATE	CHK	ANG	±1/2°	FINISH	ELECTRIC MOTORS GEARMOTORS AND DRIVES		DRAWN	VV 10/14/09
								TITLE OUTLINE - TEFC IEC-80 B14 FRAME-ROUND		CHK	
								MAT'L REF		APPR	
								PMP 103407.00 PAGE OF		SCALE	1:2
								RFP PREV NETWORK FILE NAME 032002		REV	
								SIZE B DRAWING NO 032002			

005010-01

VIEW FROM OUTSIDE OF MOTOR AT SWITCH END.



VOLTAGE	L1	L2	L3	JOIN & INSULATE
HIGH	T1	T2	T3	(T4,T7) (T5,T8) (T6,T9)
LOW	T1,T7	T2,T8	T3,T9	T4,T5,T6

				TOLERANCES UNLESS SPECIFIED		REGAL ™ Regal Beloit America, Inc.		DRAWN RDW 04/12/02		
				DEC.	INCHES			CHK		
				.X	±.1			APPD		
				.XX	±.01			SCALE 1=1		
				.XXX	±.005	TITLE		REF FIG.2-51		
A	UPDATED TO REGAL LOGO	SAJ 06/26/15	AJY	.XXXX	±.0005	MAT'L.		FMF		
NO.	REVISION	BY & DATE	CHK	ANG	±1/2"	FINISH		PREV		
THIS DRAWING IN DESIGN AND DETAIL IS OUR PROPERTY AND MUST NOT BE USED EXCEPT IN CONNECTION WITH OUR WORK ALL RIGHTS OF DESIGN AND INVENTION ARE RESERVED THIS IS AN ELECTRONICALLY GENERATED DOCUMENT - DO NOT SCALE THIS PRINT				RFP	04/12/02	CAD FILE		SIZE	DRAWING NO.	REV.
				DIST	BRF-NLV	00501001		A	005010-01	A



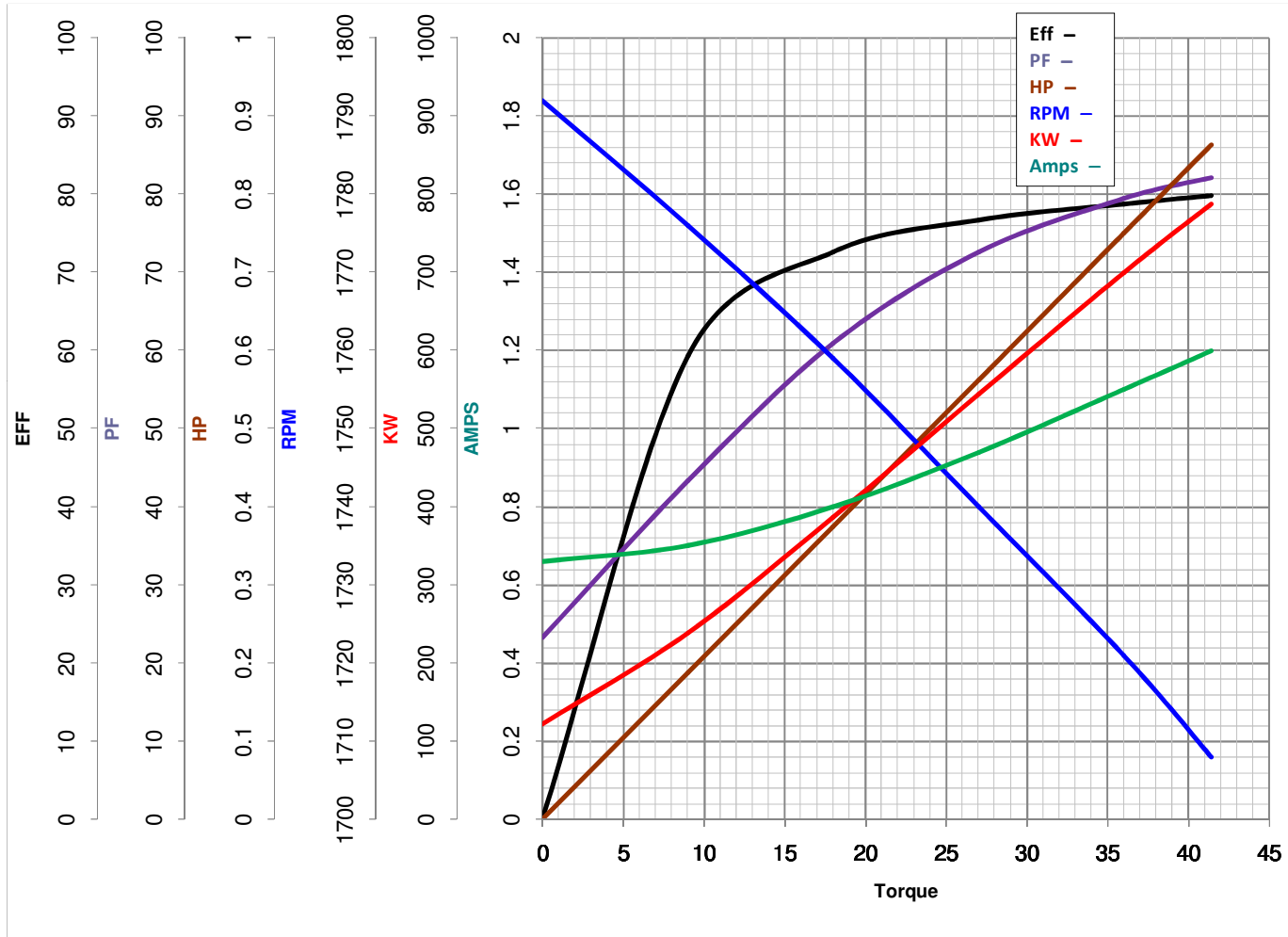
LEESON ELECTRIC CORPORATION
 TYPICAL PERFORMANCE CURVE for AC MOTOR

Model No 103407.00

Catalog No 103407.00

Curve at 460 Volts HP 0.75&0.75 PHASE 3
60 HZ
0.75 HP VOLTS 208-230/460&190/380

HZ 60&50 RPM 1725&1425



Torque in Oz.Ft

FL TORQUE 36 Oz.Ft
 BD TORQUE 145.0 Oz.Ft
 LR TORQUE 150 Oz.Ft

FL AMPS 2.5-2.4/1.2
 PU TORQUE 140.0 Oz.Ft
 LR AMPS 8

WINDING T55465-3

Date 5/28/2018