

PRODUCT INFORMATION PACKET



Model No: M4P17DJ29A

Catalog No: 103794.00

..1/3 HP..1625RPM.S56.ODP.115V.1PH.60HZ.CONT.40C.1.0SF.RESILIENT BASE.....GATE OPENER.....

Instant Reversing



Regal and Leeson are trademarks of Regal Beloit Corporation or one of its affiliated companies.

©2018 Regal Beloit Corporation, All Rights Reserved. MC017097E





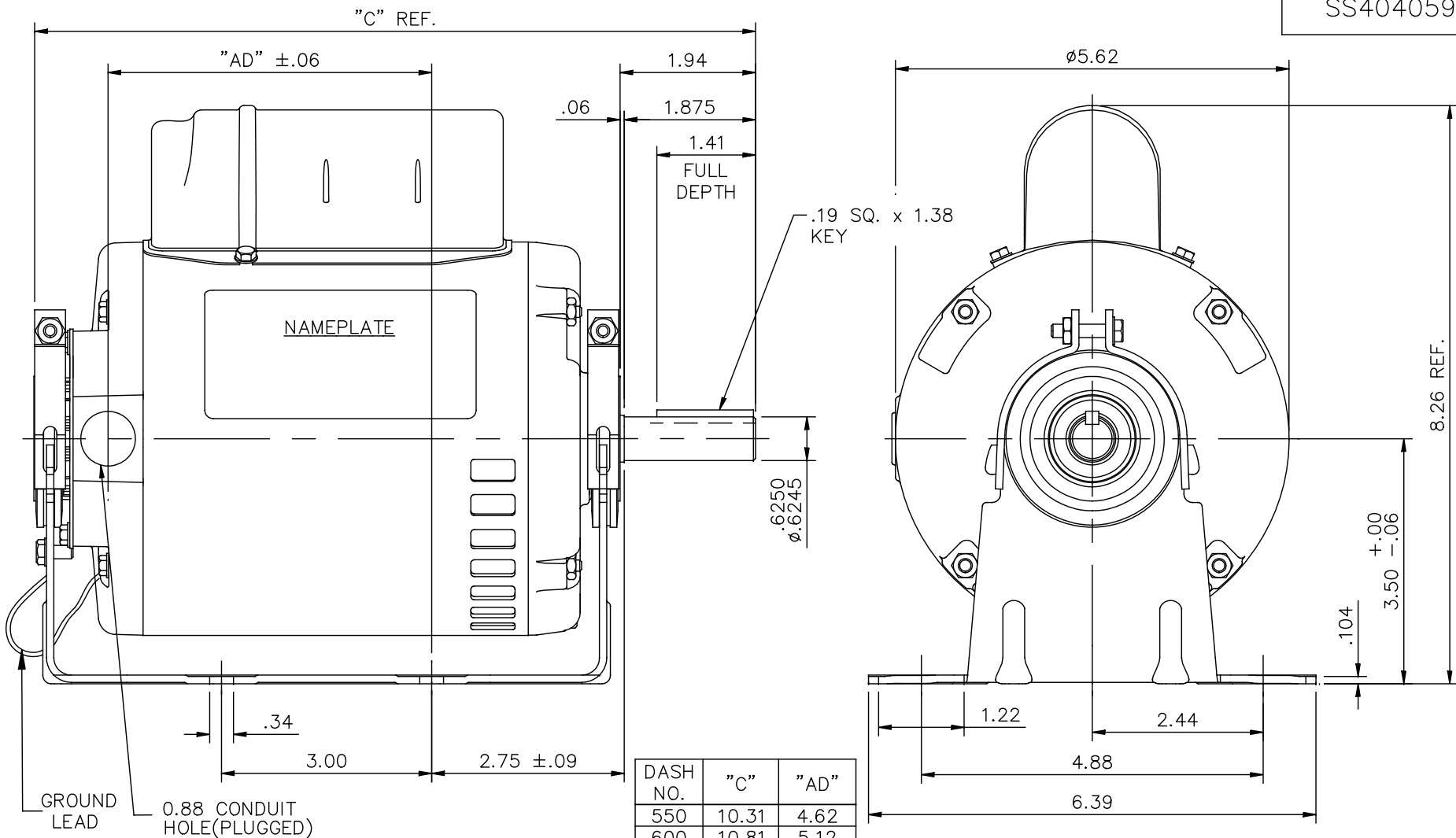
Nameplate Specifications

Output HP	0.33 Hp	Output KW	0.25 kW
Frequency	60 Hz	Voltage	115 V
Current	4.2 A	Speed	1625 rpm
Service Factor	1	Phase	1
Efficiency	53 %	Duty	60 Minute
Insulation Class	B	Design Code	N
KVA Code	A	Frame	S56
Enclosure	Drip Proof	Overload Protector	Manual
Ambient Temperature	40 °C	Drive End Bearing Size	6203
Opp Drive End Bearing Size	6203	UL	Recognized
CSA	Y	CE	N
IP Code	12		


Technical Specifications

Electrical Type	Permanent Split Capacitor	Starting Method	Across The Line
Poles	4	Rotation	Selective Counterclockwise
Mounting	Resilient Base	Motor Orientation	HORIZONTAL
Drive End Bearing	BALL	Opp Drive End Bearing	BALL
Frame Material	Rolled Steel	Shaft Type	NEMA 56
Overall Length	10.81 in	Frame Length	6.00 in
Shaft Diameter	0.625 in	Shaft Extension	1.88 in
Assembly/Box Mounting	F1 ONLY		
Outline Drawing	SS404059-600	Connection Diagram	A-005024-08

SS404059

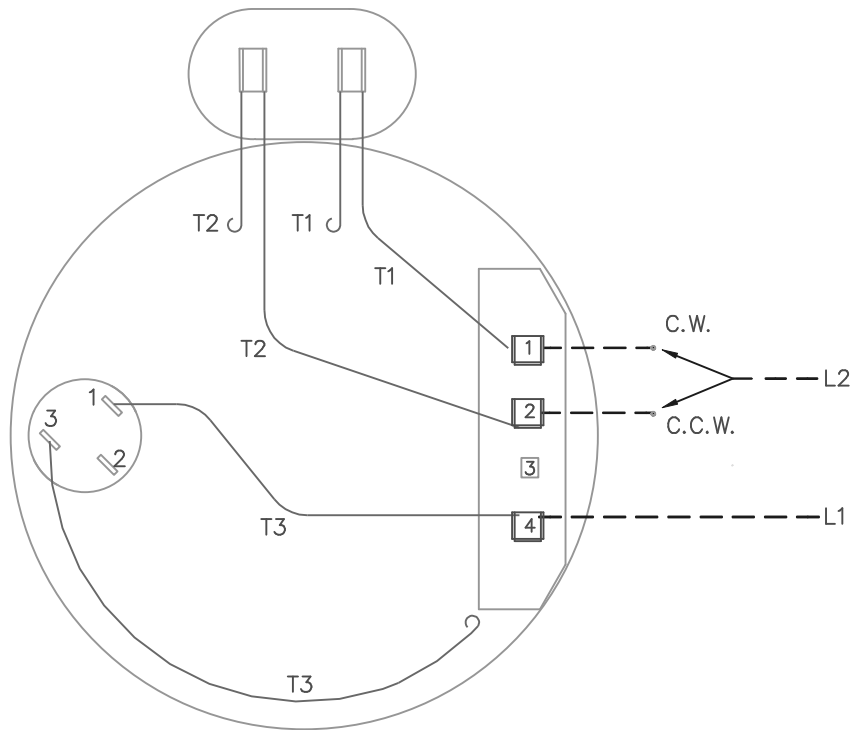


DASH NO.	"C"	"AD"
550	10.31	4.62
600	10.81	5.12
650	11.31	5.62
700	11.81	6.12

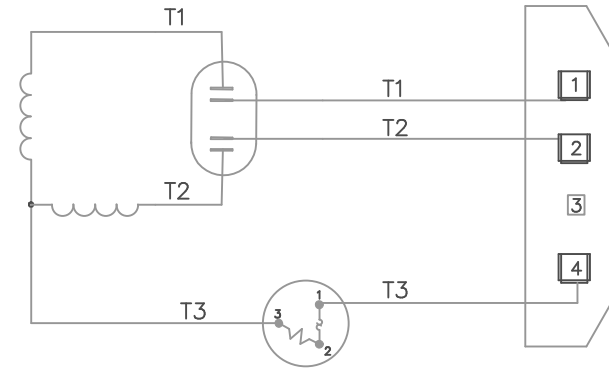
				TOLERANCES UNLESS SPECIFIED		 Regal Beloit America, Inc.		DRAWN PST 02/03/2014	
				DEC.	INCHES			CHK VS 02/03/2014	
				.X	±.1	TITLE		APPD	
				.XX	±.03			SCALE 1:1	
				.XXX	±.005			REF 031775	
B	ADDED GROUND LEAD	SL 04/19/2016	SM	.XXXX	±.0005	MAT'L. 1 PHASE		FMF 103821.00	
NO.	REVISION	BY & DATE	CHK	ANG	±1/2'	FINISH STANDARD		PREV	
THIS DRAWING IN DESIGN AND DETAIL IS OUR PROPERTY AND MUST NOT BE USED EXCEPT IN CONNECTION WITH OUR WORK ALL RIGHTS OF DESIGN AND INVENTION ARE RESERVED THIS IS AN ELECTRONICALLY GENERATED DOCUMENT - DO NOT SCALE THIS PRINT				RFP	CAD FILE SS404059		SIZE	DRAWING NO.	
				DIST			A	SS404059	
								REV. B	

005024-08

VIEW FROM OUTSIDE OF MOTOR AT SWITCH END.

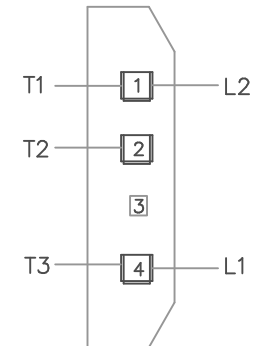
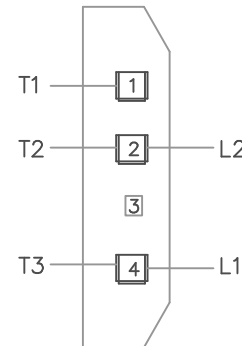


LINE LEADS



C.C.W. L.E.

C.W. L.E.



				TOLERANCES UNLESS OTHERWISE SPECIFIED		LEESON ELECTRIC CORPORATION			
				DECIMALS					
				.00	± .01	DRAWN DLL 11/30/82	TITLE EXTERNAL WIRING DIAGRAM		
				.000	± .005	CH'K'D. ADH 12/01/82	TYPE "P" W/PROTECTOR		
01	REDRAWN ON CAD	DBT	06/19/97	.0000	± .0005	APPR. JCW 12/01/82	MATL. DECAL - 080094		
NO.	REVISION	BY	DATE	FRACTIONS	± 1/64	SCALE 1=1	BRF		
THIS DRAWING IN DESIGN AND DETAIL IS OUR PROPERTY AND MUST NOT BE USED EXCEPT IN CONNECTION WITH OUR WORK ALL RIGHTS OF DESIGN AND INVENTION ARE RESERVED				ANGLES	± 1/2"	REF. PG.5			
				INCH/MM		FMF 4P17DJ5	PARKING DEV.		

