

PRODUCT INFORMATION PACKET



Model No: C4D17FK7G

Catalog No: 108048.00

..3/4HP..1800RPM.S56C.TEFC.12V...CONT.40C.1.0SF.RIGID C.C4D17FK7.....DC NEMA LOW VOLTAGE.....

Low Voltage



Regal and Leeson are trademarks of Regal Beloit Corporation or one of its affiliated companies.

©2018 Regal Beloit Corporation, All Rights Reserved. MC017097E





Nameplate Specifications

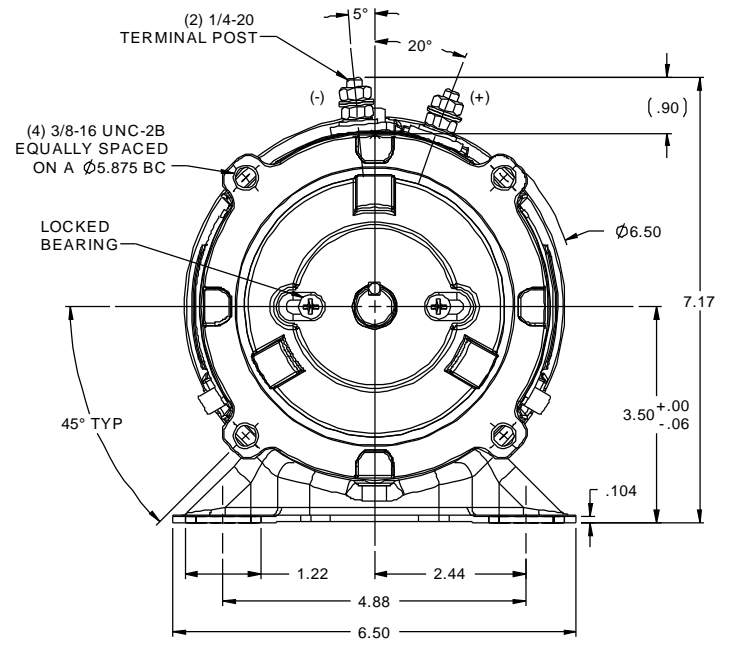
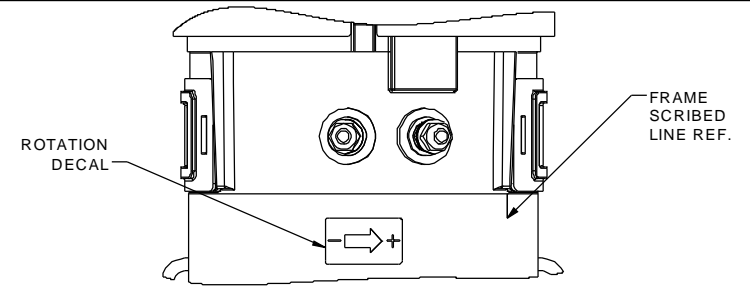
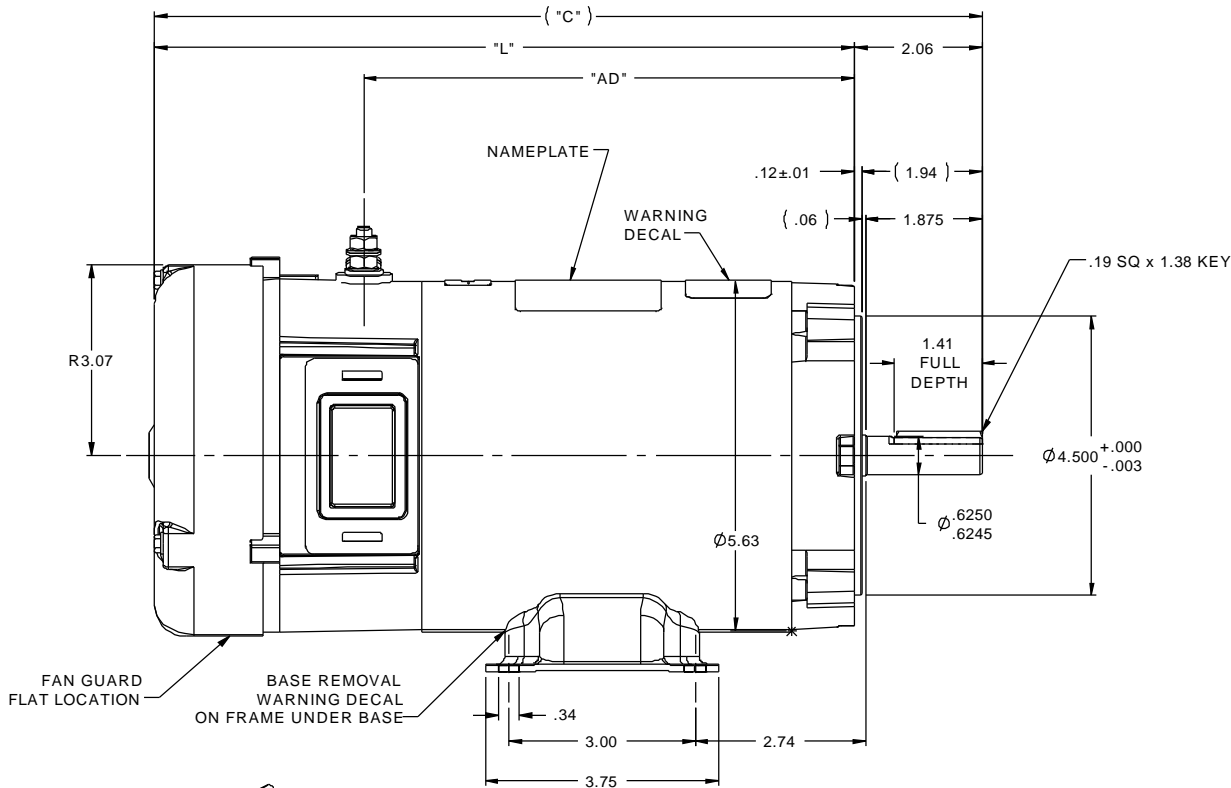
Output HP	0.75 Hp	Output KW	0.56 kW
Voltage	12 V	Current	58.0 A
Speed	1800 rpm	Service Factor	1
Efficiency	79.9 %	Duty	Continuous
Insulation Class	F	Frame	S56C
Enclosure	Totally Enclosed Fan Cooled	Overload Protector	No
Ambient Temperature	40 °C	Drive End Bearing Size	6203
Opp Drive End Bearing Size	6203	UL	Recognized
CSA	Y	CE	N

Technical Specifications

Rotation	Reversible	Mounting	Rigid C base
Overall Length	13.32 in	Frame Length	5.97 in
Shaft Diameter	0.625 in	Shaft Extension	2.06 in
Outline Drawing	031886-108048		

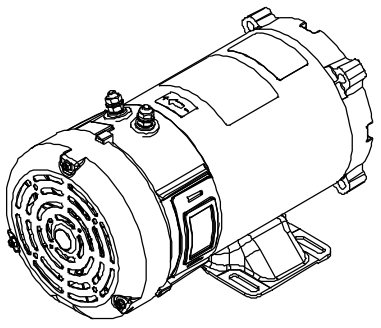
This is an uncontrolled document once printed or downloaded and is subject to change without notice. Date Created: 10/15/2018

RBC PROPRIETARY AND CONFIDENTIAL INFORMATION
 This document is the property of REGAL BELOIT CORPORATION ("RBC") including its subsidiaries and divisions and contains proprietary information of RBC. This document is loaned on the express condition that neither the information contained therein shall be disclosed to others without the express written consent of RBC, and that the information shall be used by the recipient only as approved expressly by RBC. This document shall be returned to RBC upon its request. This document may be subject to certain restrictions under U.S. export control laws and regulations.



- NOTES:
 1) MAXIMUM FACE RUNOUT .004 T.I.R.
 2) MAXIMUM PILOT ECCENTRICITY .004 T.I.R.
 3) PERMISSIBLE SHAFT RUNOUT .002 T.I.R.
 4) GASKETS THROUGHOUT.

108053.00	13.82	11.76	8.40	24	1	1800
108048.00	13.32	11.26	7.90	12	3/4	1800
CATALOG No.	"C"	"L"	"AD"	VOLTS	H.P.	RPM



TOLERANCES UNLESS SPECIFIED		DEC INCHES			ELECTRIC MOTORS GEARMOTORS AND DRIVES		DRAWN IPG 4/9/08 CHK BC 4/9/08 APPR	
02	ADDED EXTRA VIEW PER MFG REQUEST	JJM	9/18/2013		X	±.1		
01	ADDED NOTE ABOUT FAN GUARD FLAT LOCATION, ISAAC	IPG	12/4/2009	XX	±.03	TITLE OUTLINE	SCALE 1:2	
	09-4813			XXX	±.005	48 FRAME DC	REF 031186	
	RELEASED	IPG	4/9/2008	BC	XXXX ±.0005	MAT'L	FMF 108048.75	
NO	REVISION	BY & DATE	CHK	ANG	±1/2°	FINISH	PAGE OF	
	THIRD ANGLE PROJECTION					PREV	SIZE B DRAWING NO 031886 REV 02	
NETWORK FILE NAME 031886								