

PRODUCT INFORMATION PACKET



Model No: C4D17FZ24C

Catalog No: 108708.00

..1/2HP..33RPM.P1103-48.TEFC.90V..DC.....C4D17FZ24C.P1100...53:1.DC GEARMOTORS
FHP..822LBIN..TRIPLE....

P1100 Series



Regal and Leeson are trademarks of Regal Beloit Corporation or one of its affiliated companies.

©2018 Regal Beloit Corporation, All Rights Reserved. MC017097E





Nameplate Specifications

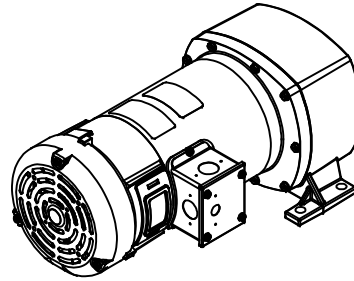
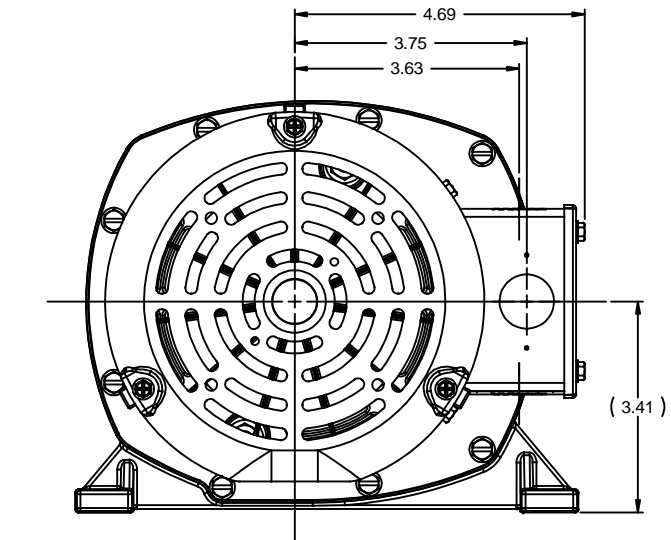
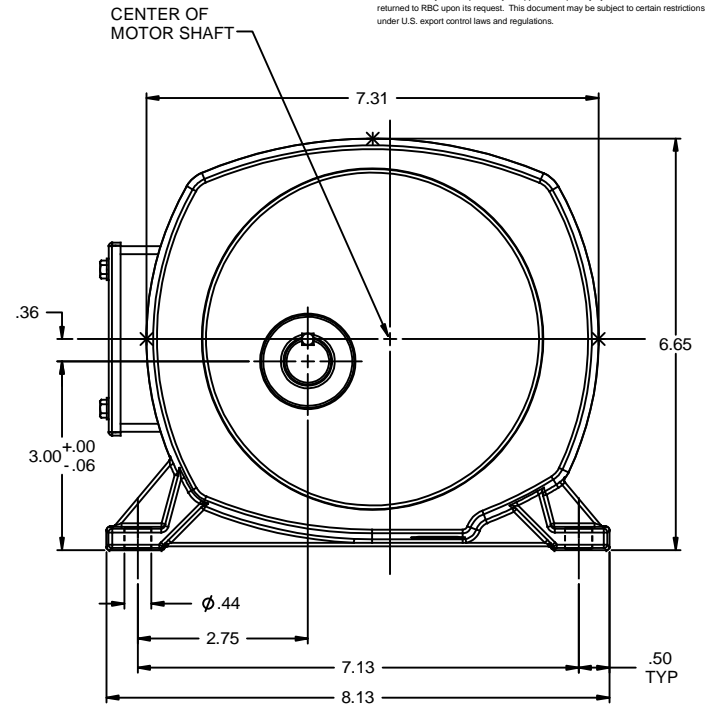
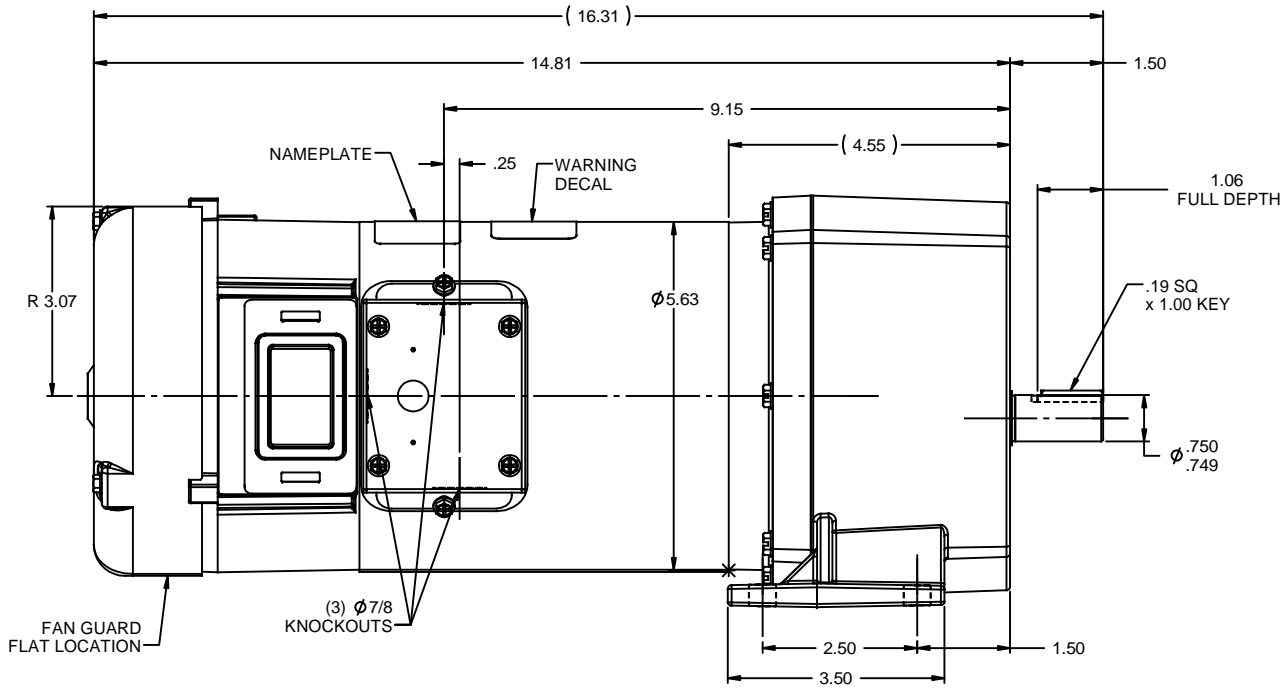
Output HP	0.50 Hp	Output KW	0.37 kW
Voltage	90 V	Current	5.0 A
Speed	33 rpm	Service Factor	1
Efficiency	68.3 %	Duty	Continuous
Insulation Class	F	Frame	48Y
Enclosure	Totally Enclosed Fan Cooled	Overload Protector	No
Ambient Temperature	40 °C	Drive End Bearing Size	6203
Opp Drive End Bearing Size	6203	UL	Recognized
CSA	Y	CE	N

Technical Specifications

Rotation	Reversible	Mounting	Special
Shaft Type	Parallel	Overall Length	16.31 in
Frame Length	5.97 in	Shaft Diameter	0.750 in
Shaft Extension	1.5 in		
Outline Drawing	032031-108708	Connection Diagram	NONE

This is an uncontrolled document once printed or downloaded and is subject to change without notice. Date Created: 10/15/2018

RBC PROPRIETARY AND CONFIDENTIAL INFORMATION
 This document is the property of REGAL BELOIT CORPORATION ("RBC") including its subsidiaries and divisions and contains proprietary information of RBC. This document is loaned on the express condition that neither it nor the information contained therein shall be disclosed to others without the express written consent of RBC, and that the information shall be used by the recipient only as approved expressly by RBC. This document shall be returned to RBC upon its request. This document may be subject to certain restrictions under U.S. export control laws and regulations.



NOTES:
 1) GEARBOX OIL: MOBIL-MOBIL GEAR 600XP-320

108712.00	90	1/2	13:1	135	210
108711.00	90	1/2	19:1	92	320
108710.00	90	1/2	29:1	60	476
108709.00	90	1/2	42:1	42	705
108708.00	90	1/2	53:1	33	822
108707.00	90	1/2	95:1	18	1112
CATALOG No.	VOLTS	INPUT HP	GEAR RATIO	RPM	F.L. TORQUE (LB-IN)

TOLERANCES UNLESS SPECIFIED			ELECTRIC MOTORS GEARMOTORS AND DRIVES		DRAWN	
DEC	INCHES		LEESON		IPG 6/2/10	
X	±.1				CHK PG 6/2/10	
.XX	±.03		TITLE OUTLINE		APPR	
.XXX	±.005		48 FRAME DC - P1100 GEARBOX		SCALE 1:2	
00	RELEASED: REF. 031211 & 031879	IPG 6/2/2010	PG. XXXX	±.0005	MATL	REF 031211
NO	REVISION	BY & DATE	CHK ANG	±1/2°	FINISH	FMF 108709.00
	THIRD ANGLE PROJECTION		RFP	PREV	FINISH	PAGE OF
			NETWORK FILE NAME	032031	SIZE	DRAWING NO
					B	032031
						REV 00