

# PRODUCT INFORMATION PACKET



Model No: C6C11FB1F

Catalog No: 110009.00

1/3HP..1140RPM.56.TEFC.115/208-230V.1PH.60HZ.CONT.NOT.40C.1.0SF.RIGID.GENERAL  
PURPOSE.C6C11FB1F

Totally Enclosed Fan Cooled (TEFC)



Regal and Leeson are trademarks of Regal Beloit Corporation or one of its affiliated companies.

©2018 Regal Beloit Corporation, All Rights Reserved. MC017097E



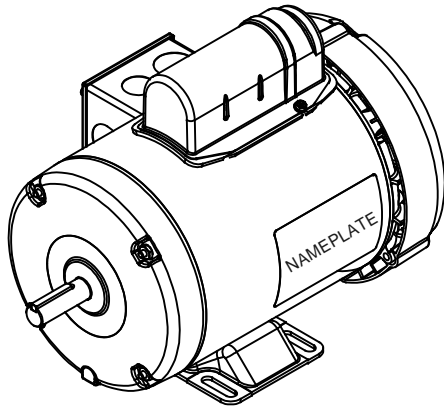
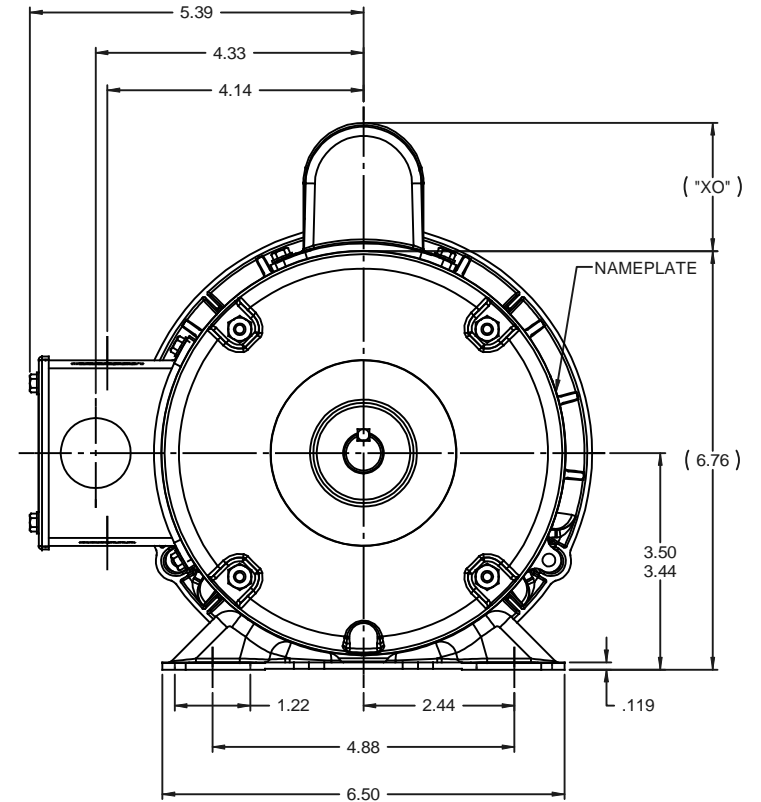
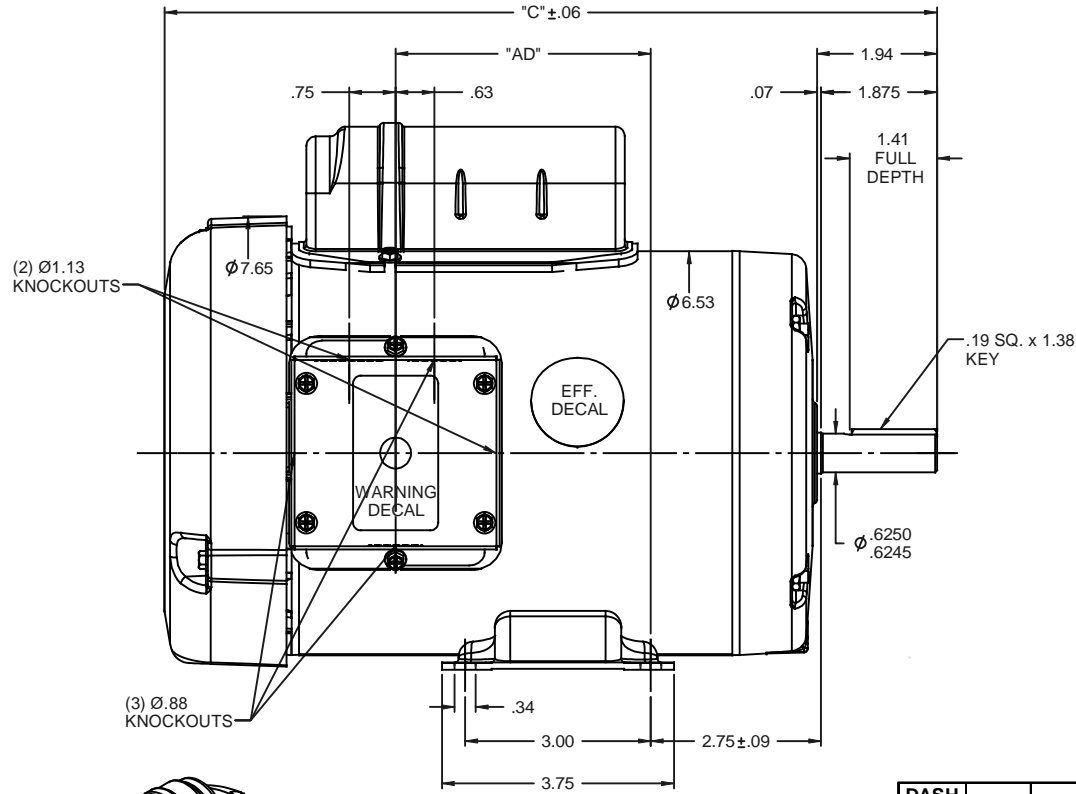


### Nameplate Specifications

Output HP	<b>0.33 Hp</b>	Output KW	<b>0.25 kW</b>
Frequency	<b>60 Hz</b>	Voltage	<b>115/208-230 V</b>
Current	<b>7.8/3.9 A</b>	Speed	<b>1140 rpm</b>
Service Factor	<b>1</b>	Phase	<b>1</b>
Efficiency	<b>55 %</b>	Duty	<b>Continuous</b>
Insulation Class	<b>B</b>	Design Code	<b>N</b>
KVA Code	<b>M</b>	Frame	<b>56</b>
Enclosure	<b>Totally Enclosed Fan Cooled</b>	Overload Protector	<b>No</b>
Ambient Temperature	<b>40 °C</b>	Drive End Bearing Size	<b>6203</b>
Opp Drive End Bearing Size	<b>6203</b>	UL	<b>Recognized</b>
CSA	<b>Y</b>	CE	<b>N</b>
IP Code	<b>43</b>		

### Technical Specifications

Electrical Type	<b>Capacitor Start Induction Run</b>	Starting Method	<b>Across The Line</b>
Poles	<b>6</b>	Rotation	<b>Selective Counterclockwise</b>
Mounting	<b>Rigid base</b>	Motor Orientation	<b>HORIZONTAL</b>
Drive End Bearing	<b>BALL</b>	Opp Drive End Bearing	<b>BALL</b>
Frame Material	<b>Rolled Steel</b>	Shaft Type	<b>NEMA 56</b>
Overall Length	<b>12.48 in</b>	Frame Length	<b>7.00 in</b>
Shaft Diameter	<b>0.625 in</b>	Shaft Extension	<b>1.88 in</b>
Assembly/Box Mounting	<b>F1 ONLY</b>		
Outline Drawing	<b>028797-700A</b>	Connection Diagram	<b>005005.01</b>



DASH NO.	"C"	"AD"	CAP DASH	"XO"
500	10.48	2.13	A	1.61
550	10.98	2.63	B	2.08
600	11.48	3.13	C	2.32
650	11.98	3.63		
700	12.48	4.13		
750	12.98	4.63		

NOTES:  
 1) GASKETS THROUGHOUT

REVISION		BY & DATE	CHK	ANG	FINISH	GENERAL PURPOSE	SCALE	PAGE	OF	REV
01	ADDED ISOMETRIC VIEW AS PER ISAAC #08-4017	GRB/9/5/2008	DJ	XXX	±.0005	MATL	1:2	1	1	01
THIRD ANGLE PROJECTION						PREV	SCALE	DRAWING NO		REV
						NETWORK FILE NAME	B	028797		



**ELECTRIC MOTORS  
 GEARMOTORS  
 AND DRIVES**

DRAWN: KMM 09/18/07

CHK

APPR

TITLE: OUTLINE - 56 FRAME

TEFC - RIGID

REF: 028612

FMF: 110094.00

FINISH: GENERAL PURPOSE

PREV

SIZE: B

DRAWING NO: 028797

REV: 01

VIEW FROM OUTSIDE OF MOTOR AT SWITCH END.



LINE LEADS



RBC PROPRIETARY AND CONFIDENTIAL INFORMATION  
 This document is the property of REGAL BELOIT CORPORATION ("RBC") including its subsidiaries and divisions and contains proprietary information of RBC. This document is loaned on the express condition that neither it nor the information contained therein shall be disclosed to others without the express written consent of RBC, and that the information shall be used by the recipient only as approved expressly by RBC. This document shall be returned to RBC upon its request. This document may be subject to certain restrictions under U.S. export control laws and regulations.

	ROTATION FACING LEAD END	L1	L2	JOIN
HIGH VOLT	C.C.W.	T1	T4, T5	T2, T3, T8
	C.W.	T1	T4, T8	T2, T3, T5
LOW VOLT	C.C.W.	T1, T3, T8	T2, T4, T5	-----
	C.W.	T1, T3, T5	T2, T4, T8	-----

NO	REVISION	BY & DATE	CHK	ANG	TOLERANCES UNLESS SPECIFIED
--	REDRAWN IN SOLIDWORKS	VJB 02/16/11			
27	UPDATED TO CURRENT STANDARDS	DBT 05/27/97			DEC INCHES
26	ADDED PAGE 32 (114787) & PAGE 33 (114788)	KAZ 12/20/95	PG	.X	±.1
25	ADDED PAGE 31	KAZ 04/19/95	DL	.XX	±.01
24	ADDED PAGES 29 & 30	KMM 03/30/95	DL	.XXX	±.005
23	ADDED PAGE 28	KMM 01/27/95		.XXXX	±.0005



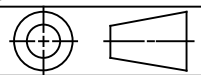
ELECTRIC MOTORS  
GEARMOTORS  
AND DRIVES

TITLE EXTERNAL WIRING DIAGRAM  
TYPE "C" W/O PROTECTOR

MAT'L DECAL - 004012

DRAWN	ADH 08/06/73
CHK	
APPR	JCW 03/09/79
SCALE	1:1
REF	FIG 2-23 C4A
FMF	MGI-2.4B
PAGE	OF

THIRD ANGLE PROJECTION



RFP  
PREV  
NETWORK FILE NAME 00500501

SIZE A  
DRAWING NO 005005-01  
REV --



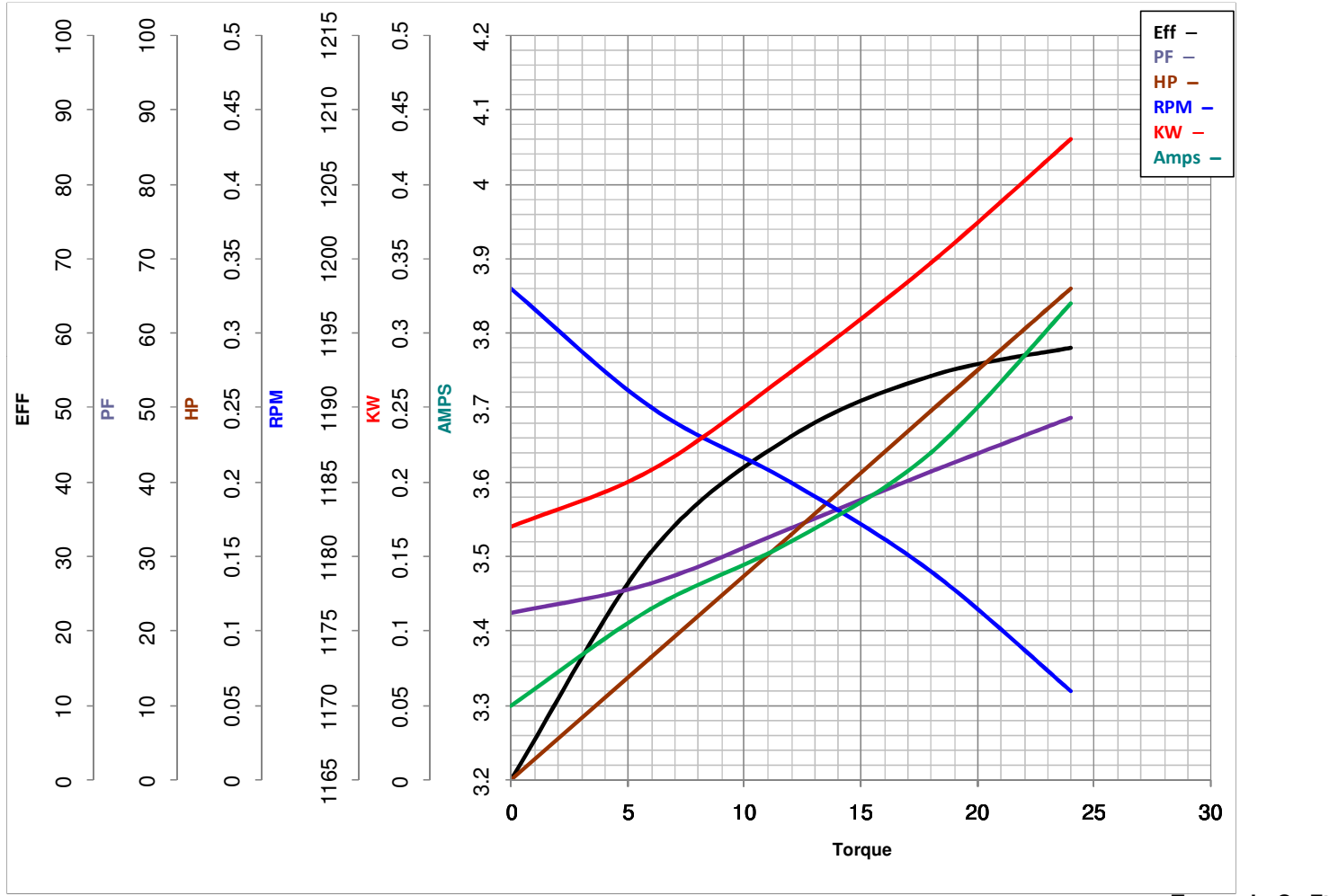
**LEESON ELECTRIC CORPORATION**  
 TYPICAL PERFORMANCE CURVE for AC MOTOR

Model No 110009.00

Catalog No 110009.00

Curve at 230 Volts      HP 0.33      PHASE 1  
60 HZ  
0.33 HP      VOLTS 115/208-230

HZ 60      RPM 1140



FL TORQUE	<u>24</u>	Oz.Ft	FL AMPS	<u>7.8/3.9</u>	
BD TORQUE	<u>60.0</u>	Oz.Ft	PU TORQUE	<u>48.0</u>	Oz.Ft
LR TORQUE	<u>88</u>	Oz.Ft	LR AMPS	<u>16</u>	
WINDING	C63637-3		Date	<u>4/11/2018</u>	