

# PRODUCT INFORMATION PACKET



Model No: C6C14DB7H

Catalog No: 110396.00

3/4HP..55kW.1425RPM.56.IP22./V.1PH.50HZ.CONT.NOT.40C.1.25SF.RIGID.50 HERTZ.C6C14DB7H  
50 Hz



Regal and Leeson are trademarks of Regal Beloit Corporation or one of its affiliated companies.

©2018 Regal Beloit Corporation, All Rights Reserved. MC017097E





### Nameplate Specifications

Output HP	<b>0.75 Hp</b>	Output KW	<b>0.56 kW</b>
Frequency	<b>50 Hz</b>	Voltage	<b>110/220 V</b>
Current	<b>11.8/5.9 A</b>	Speed	<b>1425 rpm</b>
Service Factor	<b>1.25</b>	Phase	<b>1</b>
Efficiency	<b>68 %</b>	Duty	<b>Continuous</b>
Insulation Class	<b>B</b>	Design Code	<b>NO DESIGN CODE</b>
KVA Code	<b>J</b>	Frame	<b>56</b>
Enclosure	<b>Drip Proof</b>	Overload Protector	<b>No</b>
Ambient Temperature	<b>40 °C</b>	Drive End Bearing Size	<b>6203</b>
Opp Drive End Bearing Size	<b>6203</b>	UL	<b>Recognized</b>
CSA	<b>Y</b>	CE	<b>Y</b>
IP Code	<b>22</b>		

### Technical Specifications

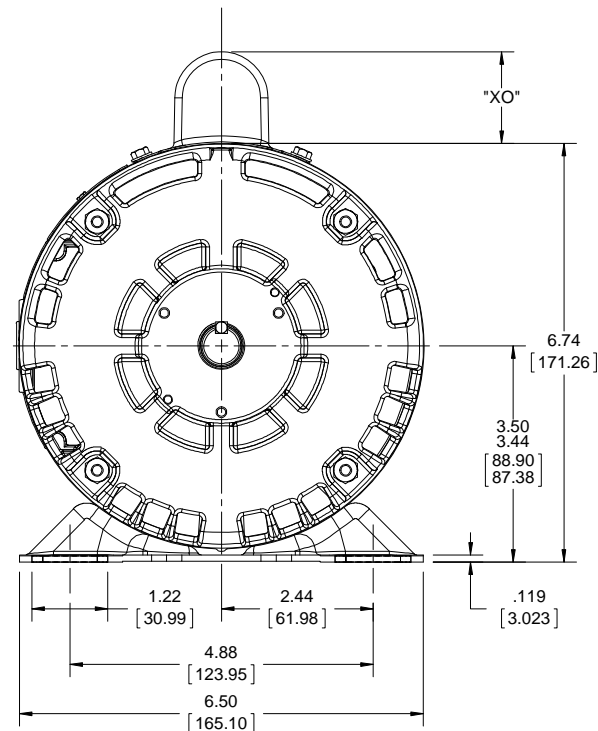
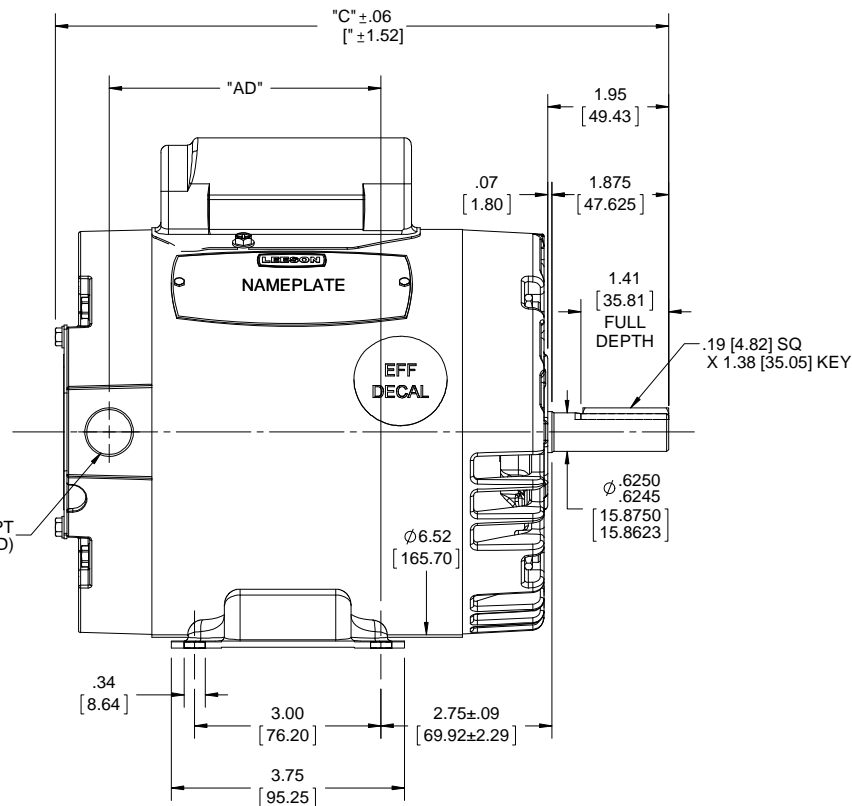
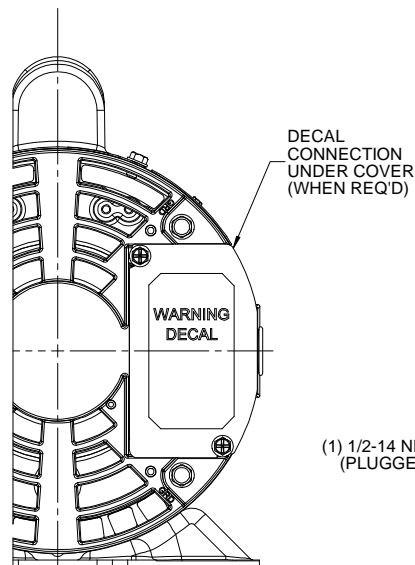
Electrical Type	<b>Capacitor Start Induction Run</b>	Starting Method	<b>Across The Line</b>
Poles	<b>4</b>	Rotation	<b>Selective Counterclockwise</b>
Mounting	<b>Rigid base</b>	Motor Orientation	<b>HORIZONTAL</b>
Drive End Bearing	<b>BALL</b>	Opp Drive End Bearing	<b>BALL</b>
Frame Material	<b>Rolled Steel</b>	Shaft Type	<b>NEMA 56</b>
Overall Length	<b>10.84 in</b>	Frame Length	<b>6.00 in</b>
Shaft Diameter	<b>0.625 in</b>	Shaft Extension	<b>1.88 in</b>
Assembly/Box Mounting	<b>F1 ONLY</b>		
Outline Drawing	<b>028601-600B</b>	Connection Diagram	<b>005390.01</b>

B

A

B

A



DASH NO.	"C"	"AD"	CAP DASH.	"XO"
500	9.87 [250.70]	4.38 [111.25]		
550	10.37 [263.40]	4.88 [123.95]	A	1.48 [37.59]
600	10.87 [276.10]	5.38 [136.65]	B	1.94 [49.28]
650	11.37 [288.80]	5.88 [149.35]	C	2.19 [55.62]
700	11.87 [301.50]	6.38 [162.05]		

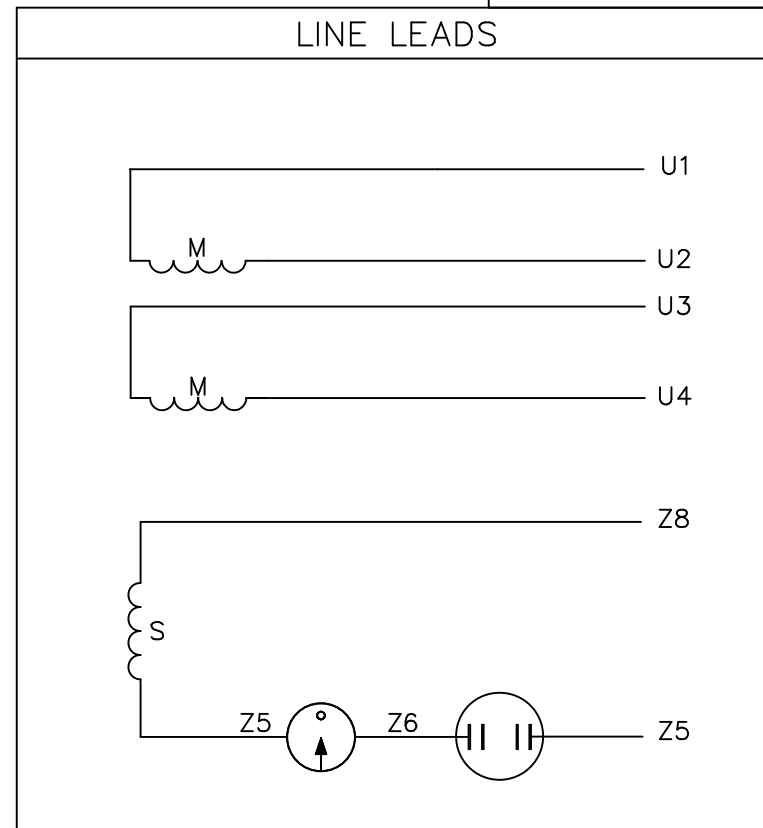
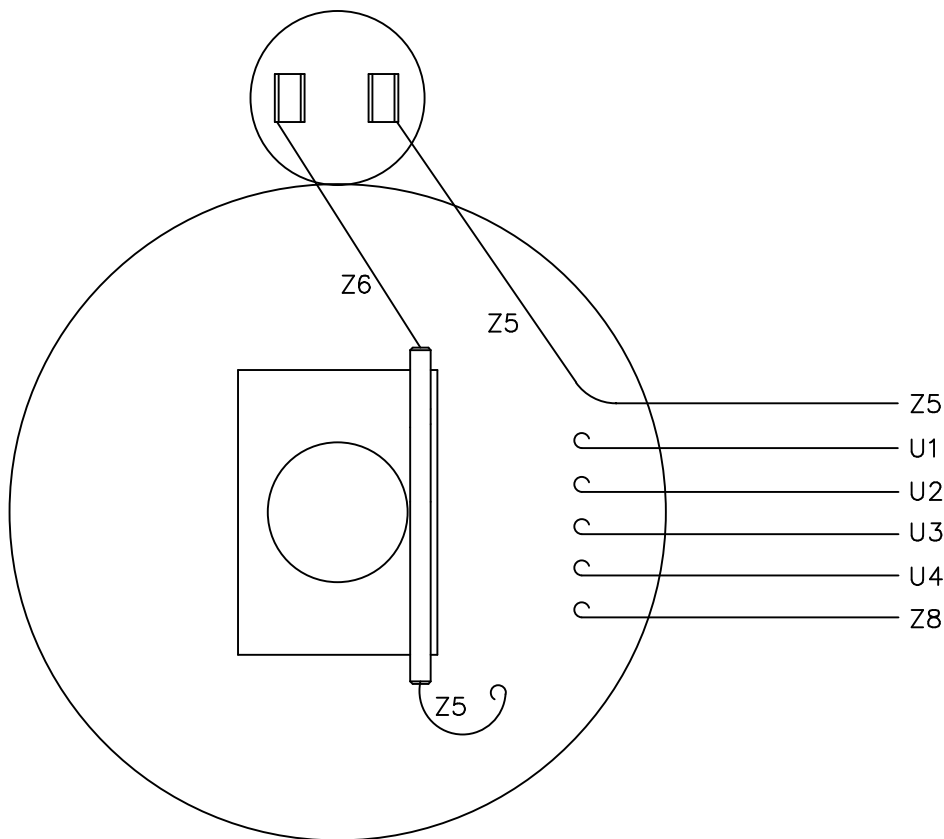
DRAWING REVISION C	REVISION BY A.SUPPANAVER	DATE 12/21/2017
ECO ECO-0143018	APPROVED BY PK	DATE 04/10/2018
ECO DESCRIPTION OUTLINE CONVERSION PROJECT		
<small>COPYRIGHT REGAL BELOIT AMERICA, INC. ALL RIGHTS RESERVED.          PROPRIETARY AND CONFIDENTIAL INFORMATION - THIS DOCUMENT IS THE PROPERTY OF          REGAL BELOIT AMERICA, INC. ("OWNER") AND CONTAINS OWNER'S PROPRIETARY          INFORMATION. ANY PERSON, CORPORATION OR OTHER FIRM RECEIVING IT IS DEEMED,          BY RECEIVING IT, TO AGREE THAT IT, AND/OR ANY PART OF IT, SHALL NOT BE DISCLOSED          TO ANY PERSON, CORPORATION OR OTHER ENTITY, DUPLICATED, AND/OR USED, EXCEPT          AS EXPRESSLY APPROVED IN WRITING IN ADVANCE BY OWNER. THIS DOCUMENT SHALL          BE RETURNED TO OWNER UPON REQUEST. IT MAY BE SUBJECT TO CERTAIN          RESTRICTIONS UNDER APPLICABLE EXPORT CONTROL LAWS AND REGULATIONS.</small>		

TOLERANCES UNLESS OTHERWISE SPECIFIED:			
DEC.	INCH	mm	ANGLE
.X	±0.1	[±2.5]	±0.5°
.XX	±0.03	[±0.76]	
.XXX	±0.005	[±0.127]	
.XXXX	±0.0005	[±0.0127]	
REMOVE BURRS & BREAK SHARP EDGES: .003/.015 [0.076/.381] X 45°			
CORNER FILLETS: R.02 [51]			
MACHINED SURFACES: 125/3.2			
mm SHOWN IN [BRACKETS]			

DRAWN BY RDW
DATE 7/1/04
APPROVED BY SW
DATE 7/1/04
REFERENCE 028601
THIRD ANGLE PROJECTION

Regal Beloit America, Inc.	
DESCRIPTION <b>OUTLINE</b> 56-FRAME DRIP PROOF -RIGID	
MATERIAL	PROCESS/FINISH
SIZE <b>B</b>	DRAWING NUMBER <b>028601</b>
	SHEET 1 OF 1

VIEW FROM OUTSIDE OF MOTOR AT SWITCH END.



	ROTATION FACING LEAD END	L1	L2	JOIN
HIGH VOLT	C.C.W.	U1	U4 Z5	U2,U3 Z8
	C.W.	U1	U4 Z8	U2,U3 Z5
LOW VOLT	C.C.W.	U1,U3 Z8	U2,U4 Z5	---
	C.W.	U1,U3 Z5	U2,U4 Z8	---

NO.	REVISION	BY & DATE	CHK	TOLERANCES UNLESS SPECIFIED	
				DEC.	INCHES
				.X	±.1
				.XX	±.01
				.XXX	±.005
				.XXXX	±.0005
				ANG	±1/2°



ELECTRIC MOTORS  
GEARMOTORS  
AND DRIVES

DRAWN	RSK 09/09/96
CHK	
APPD	
SCALE	1=1
REF	005005-01
FMF	114964.00
PREV	

TITLE	EXTERNAL WIRING DIAGRAM TYPE "C" W/O PROTECTOR
MAT'L.	DECAL - 080642
FINISH	LEESON CANADA
CAD FILE	00539001
SIZE	A
DRAWING NO.	005390-01

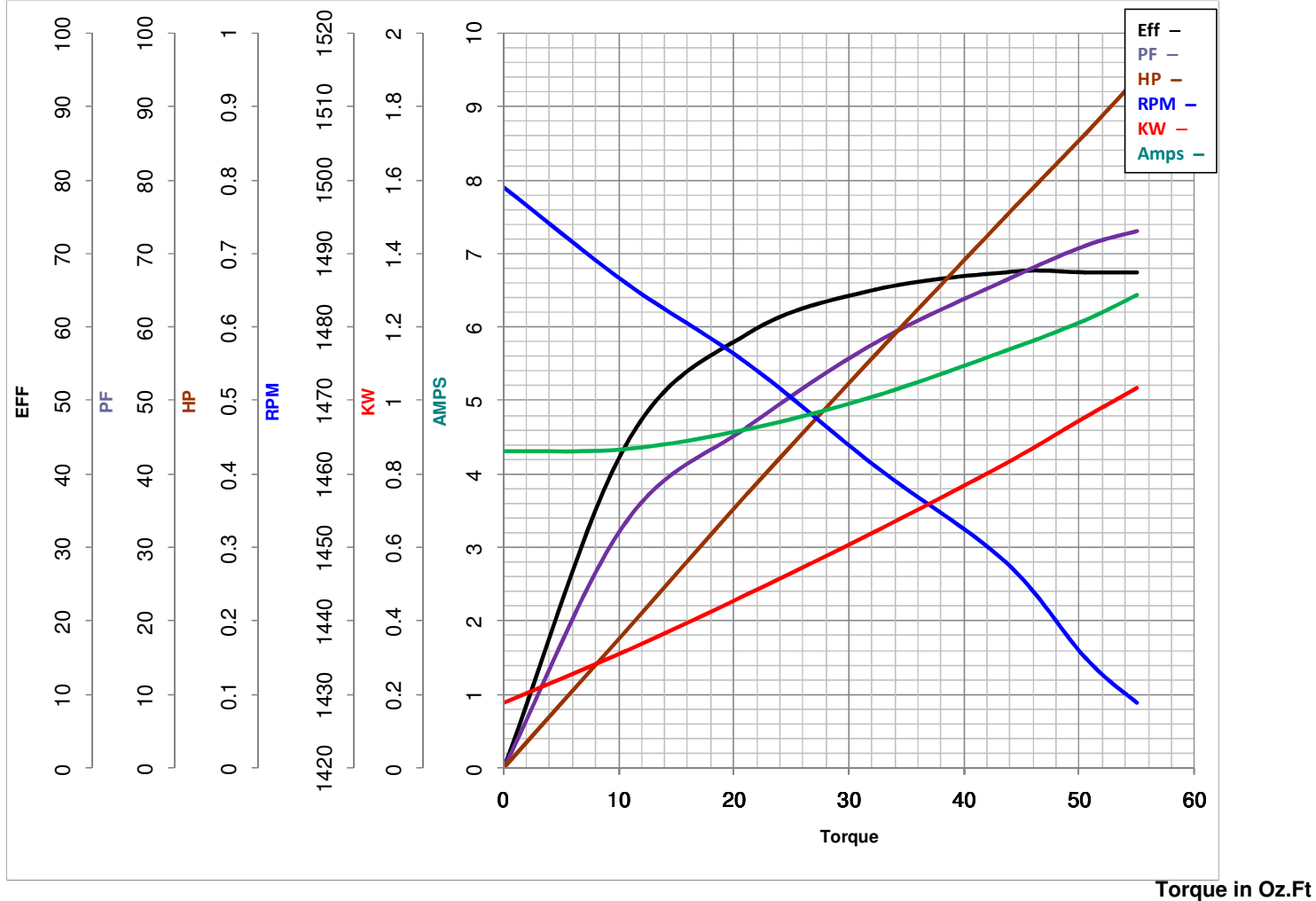


**LEESON ELECTRIC CORPORATION**  
 TYPICAL PERFORMANCE CURVE for AC MOTOR

Model No 110396.00

Catalog No 110396.00

Curve at 220 Volts      HP 0.75      PHASE 1  
50 HZ  
0.75 HP      VOLTS 110/220  
    HZ 50      RPM 1425



FL TORQUE	<u>43.6</u> Oz.Ft	FL AMPS	<u>11.8/5.9</u>
BD TORQUE	<u>107.1</u> Oz.Ft	PU TORQUE	<u>105.1</u> Oz.Ft
LR TORQUE	<u>144.8</u> Oz.Ft	LR AMPS	<u>26.7</u>
WINDING	C634265-6	Date	4/23/2018