

PRODUCT INFORMATION PACKET



Model No: C6C34FK19L

Catalog No: 110909.00

..1 1/2HP..3450RPM.56.TEFC.115/208-230V.1PH.60HZ.CONT.40C.1SF.RIGID
C.C6C34FK19L.....GENERAL PURPOSE.NOT....1.12KW...

Totally Enclosed Fan Cooled (TEFC)



Regal and Leeson are trademarks of Regal Beloit Corporation or one of its affiliated companies.

©2018 Regal Beloit Corporation, All Rights Reserved. MC017097E





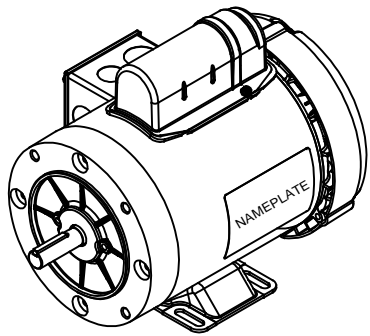
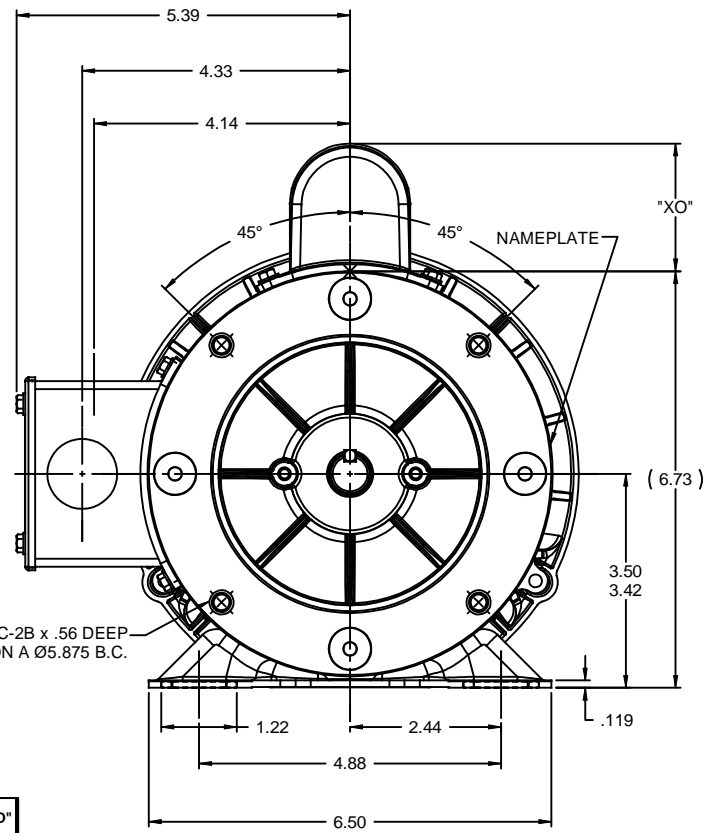
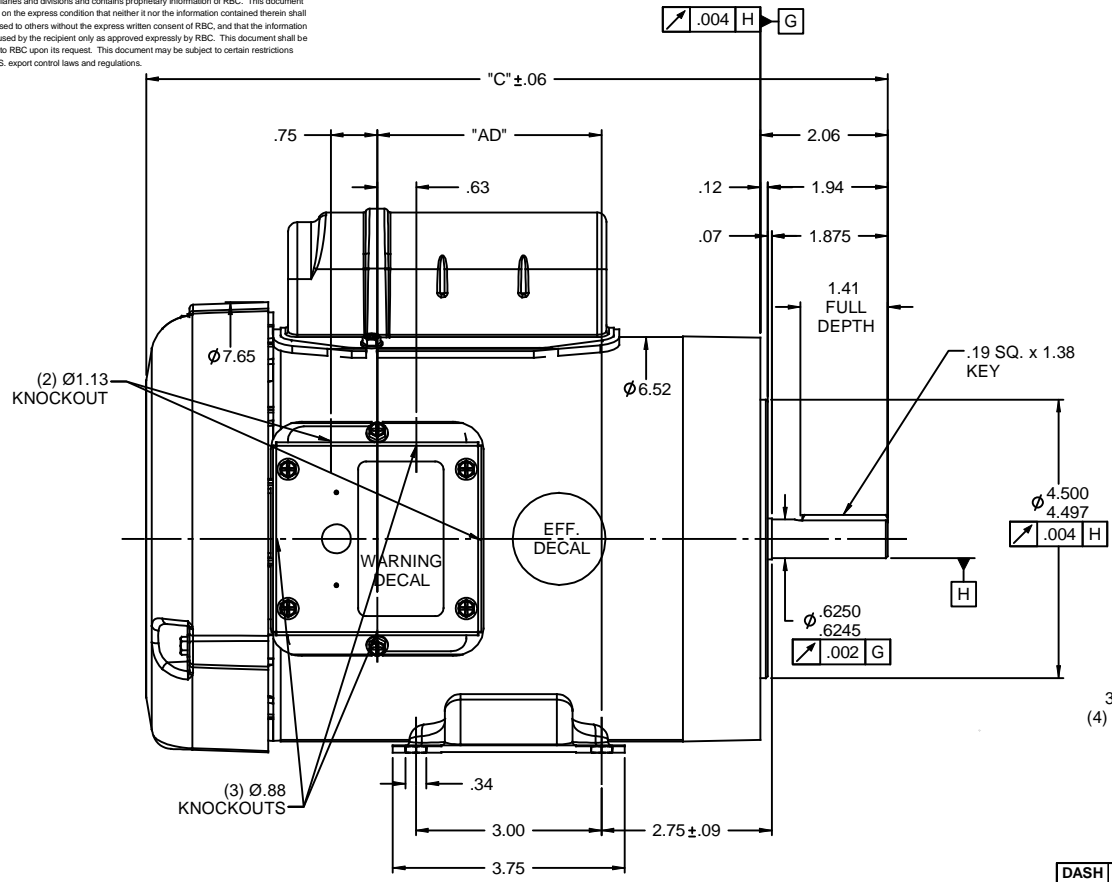
Nameplate Specifications

Output HP	1.50 Hp	Output KW	1.1 kW
Frequency	60 Hz	Voltage	115/208-230 V
Current	17.0/8.5 A	Speed	3450 rpm
Service Factor	1	Phase	1
Efficiency	72 %	Duty	Continuous
Insulation Class	B	Design Code	L
KVA Code	H	Frame	56C
Enclosure	Totally Enclosed Fan Cooled	Overload Protector	No
Ambient Temperature	40 °C	Drive End Bearing Size	6203
Opp Drive End Bearing Size	6203	UL	Recognized
CSA	Y	CE	N
IP Code	43		

Technical Specifications

Electrical Type	Capacitor Start Induction Run	Starting Method	Across The Line
Poles	2	Rotation	Selective Counterclockwise
Mounting	Rigid base	Motor Orientation	HORIZONTAL
Drive End Bearing	BALL	Opp Drive End Bearing	BALL
Frame Material	Rolled Steel	Shaft Type	NEMA 56
Overall Length	12.48 in	Frame Length	7.00 in
Shaft Diameter	0.625 in	Shaft Extension	1.88 in
Assembly/Box Mounting	F1 ONLY		
Outline Drawing	028857-700B	Connection Diagram	005005.01

RBC PROPRIETARY AND CONFIDENTIAL INFORMATION
 This document is the property of REGAL BELOIT CORPORATION ("RBC") including its subsidiaries and divisions and contains proprietary information of RBC. This document is loaned on the express condition that neither it nor the information contained therein shall be disclosed to others without the express written consent of RBC, and that the information shall be used by the recipient only as approved expressly by RBC. This document shall be returned to RBC upon its request. This document may be subject to certain restrictions under U.S. export control laws and regulations.



DASH NO.	"C"	"AD"	CAP. DASH	"XO"
500	10.48	2.12	A	1.61
550	10.98	2.62	B	2.08
600	11.48	3.12	C	2.32
650	11.98	3.62		
700	12.48	4.12		
750	12.98	4.62		
800	13.48	5.12		
850	13.98	5.62		

NOTES:
 1) GASKETS THROUGHOUT

		TOLERANCES UNLESS SPECIFIED:			ELECTRIC MOTORS GEARMOTORS AND DRIVES	DRAWN GRB 07/22/08
		DEC	INCHES			CHK DJ 07/22/08
		x	±.1	APPR		
		.xx	±.03	TITLE	OUTLINE - 56C FRAME	SCALE 1:2
		.xxx	±.005		TEFC - "C" FACE	REF 028851
01	ADDED FRAMES 500, 550 & 600	MBR 9/3/08	GWS xxxxx ±.0005	MATL		FMF 110180.00
NO	REVISION	BY & DATE	CHK ANG ±1/2°	FINISH		PAGE 1 OF 1
			RFP 07/22/08	PREV		
		THIRD ANGLE PROJECTION	NETWORK FILE NAME	SIZE	DRAWING NO	REV
				B	028857	01

VIEW FROM OUTSIDE OF MOTOR AT SWITCH END.



LINE LEADS



RBC PROPRIETARY AND CONFIDENTIAL INFORMATION
 This document is the property of REGAL BELOIT CORPORATION ("RBC") including its subsidiaries and divisions and contains proprietary information of RBC. This document is loaned on the express condition that neither it nor the information contained therein shall be disclosed to others without the express written consent of RBC, and that the information shall be used by the recipient only as approved expressly by RBC. This document shall be returned to RBC upon its request. This document may be subject to certain restrictions under U.S. export control laws and regulations.

	ROTATION FACING LEAD END	L1	L2	JOIN
HIGH VOLT	C.C.W.	T1	T4, T5	T2, T3, T8
	C.W.	T1	T4, T8	T2, T3, T5
LOW VOLT	C.C.W.	T1, T3, T8	T2, T4, T5	-----
	C.W.	T1, T3, T5	T2, T4, T8	-----

--	REDRAWN IN SOLIDWORKS	VJB 02/16/11	TOLERANCES UNLESS SPECIFIED		LEESON	ELECTRIC MOTORS GEARMOTORS AND DRIVES	DRAWN ADH 08/06/73	
27	UPDATED TO CURRENT STANDARDS	DBT 05/27/97	DEC	INCHES			CHK	
26	ADDED PAGE 32 (114787) & PAGE 33 (114788)	KAZ 12/20/95	PG	.X ±.1	TITLE EXTERNAL WIRING DIAGRAM TYPE "C" W/O PROTECTOR		APPR JCW 03/09/79	
25	ADDED PAGE 31	KAZ 04/19/95	DL	.XX ±.01			SCALE 1:1	
24	ADDED PAGES 29 & 30	KMM 03/30/95	DL	.XXX ±.005	MAT'L DECAL - 004012		REF FIG 2-23 C4A	
23	ADDED PAGE 28	KMM 01/27/95		.XXXX ±.0005			FMF MGI-2.4B	
NO	REVISION	BY & DATE	CHK	ANG ±1/2°	FINISH	PAGE	OF	
THIRD ANGLE PROJECTION			RFP	PREV	SIZE	DRAWING NO	REV	
				NETWORK FILE NAME	00500501	A	005005-01	--