

PRODUCT INFORMATION PACKET



Model No: C6K17FK2L

Catalog No: 110910.00

..1 1/2HP..1725RPM.56H.TEFC.115/208-230V.1PH.60HZ.CONT.40C.1SF.RIGID
C.C6K17FK2L.....GENERAL PURPOSE.NOT.....

Totally Enclosed Fan Cooled (TEFC)



Regal and Leeson are trademarks of Regal Beloit Corporation or one of its affiliated companies.

©2018 Regal Beloit Corporation, All Rights Reserved. MC017097E





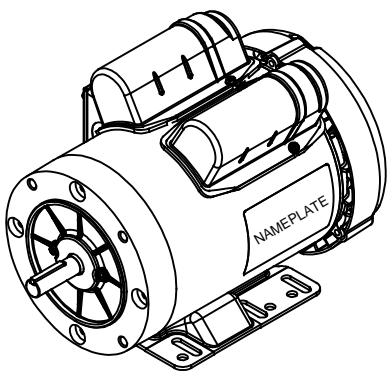
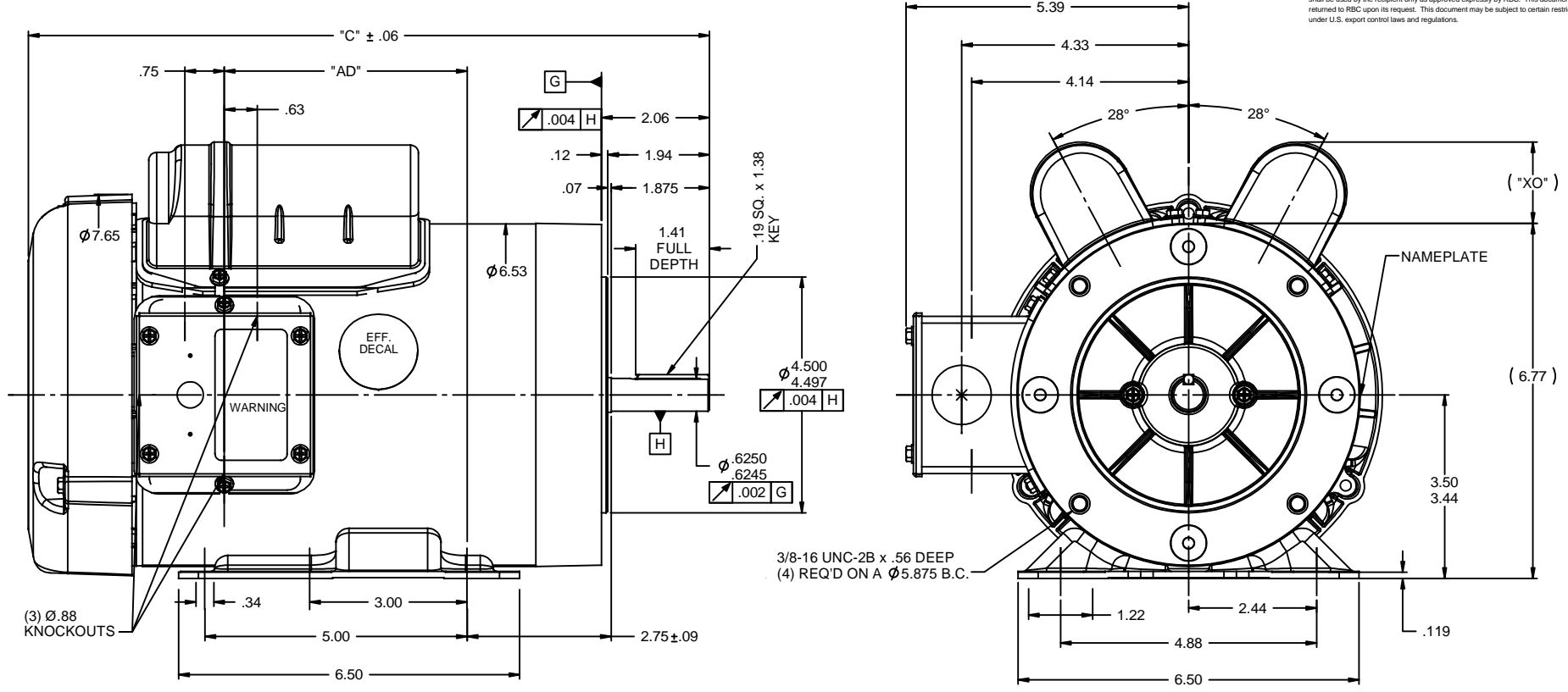
Nameplate Specifications

Output HP	1.50 Hp	Output KW	1.1 kW
Frequency	60 Hz	Voltage	115/208-230 V
Current	17.2/8.8-8.6 A	Speed	1725 rpm
Service Factor	1	Phase	1
Efficiency	79 %	Duty	Continuous
Insulation Class	B	Design Code	L
KVA Code	J	Frame	56HC
Enclosure	Totally Enclosed Fan Cooled	Overload Protector	No
Ambient Temperature	40 °C	Drive End Bearing Size	6203
Opp Drive End Bearing Size	6203	UL	Recognized
CSA	Y	CE	N
IP Code	43		

Technical Specifications

Electrical Type	Capacitor Start Capacitor Run	Starting Method	Across The Line
Poles	4	Rotation	Selective Counterclockwise
Mounting	Rigid base	Motor Orientation	HORIZONTAL
Drive End Bearing	BALL	Opp Drive End Bearing	BALL
Frame Material	Rolled Steel	Shaft Type	NEMA 56
Overall Length	12.98 in	Frame Length	7.50 in
Shaft Diameter	0.625 in	Shaft Extension	1.88 in
Assembly/Box Mounting	F1 ONLY		
Outline Drawing	028861-750B	Connection Diagram	005054.01

RBC PROPRIETARY AND CONFIDENTIAL INFORMATION
 This document is the property of REGAL BELOIT CORPORATION ("RBC") including its subsidiaries and divisions and contains proprietary information of RBC. This document is loaned on the express condition that neither it nor the information contained therein shall be disclosed to others without the express written consent of RBC, and that the information shall be used by the recipient only as approved expressly by RBC. This document shall be returned to RBC upon its request. This document may be subject to certain restrictions under U.S. export control laws and regulations.



DASH NO.	"C"	"AD"	CAP.	DASH	"XO"
700	12.48	4.13			
750	12.98	4.63	A		1.06
800	13.48	5.13	B		1.51
850	13.98	5.63	C		1.73

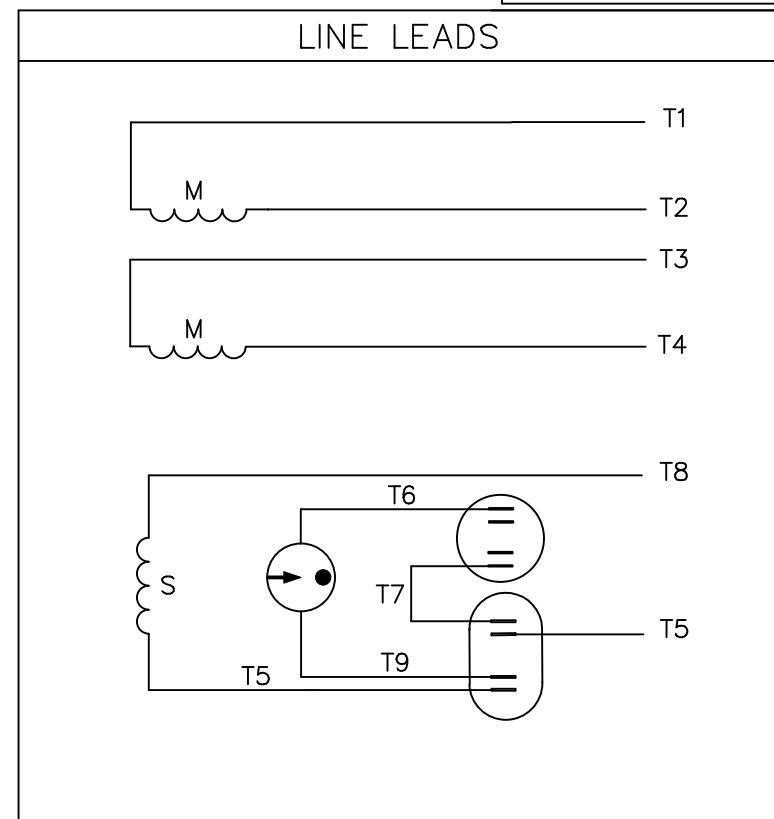
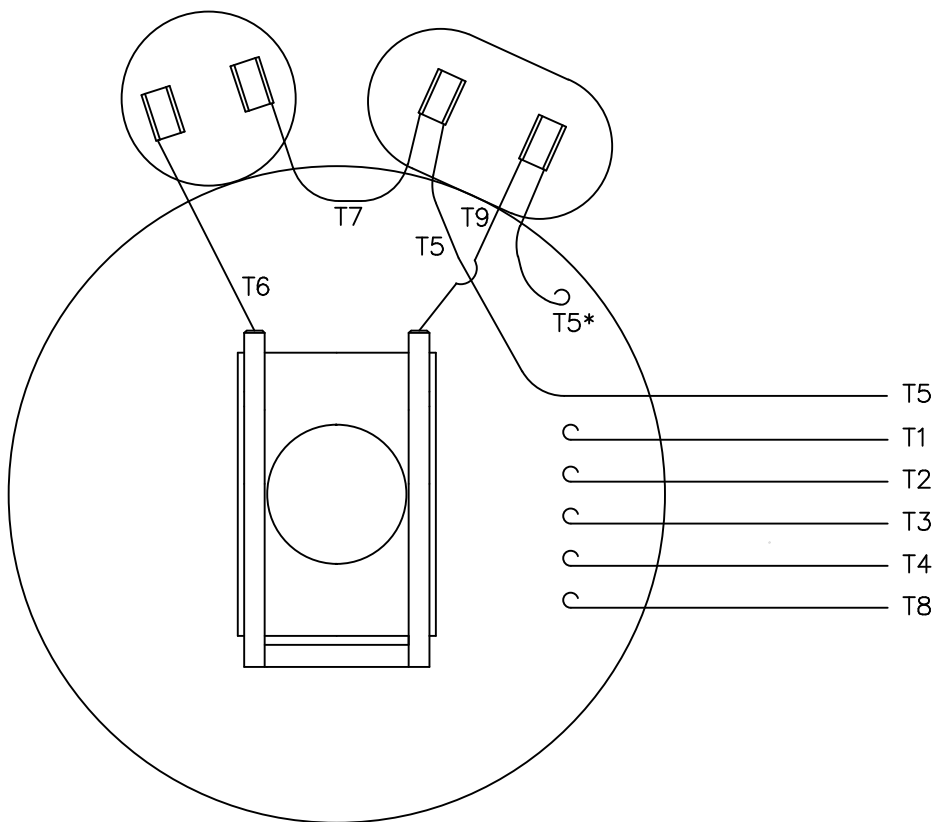
NOTES:
 1) GASKETS THROUGHOUT.

REVISION		BY & DATE	CHK	ANG	±1/2°	FINISH	PREV	SIZE	DRAWING NO	REV
			RFP					B	028861	

TOLERANCES UNLESS SPECIFIED		TITLE	
DEC	INCHES	OUTLINE - G56HC FRAME	
X	±.1	T.E.F.C. - RIGID "C"	
.XX	±.03	MAT'L	
.XXX	±.005		
.XXXX	±.0005		

DRAWN		ELECTRIC MOTORS		GSEAR MOTORS		AND DRIVES		DRAWN	
GRB 08/04/08		LEESON		ELECTRIC MOTORS		GSEAR MOTORS		GRB 08/04/08	
CHK		DASH		SCALE		REF		PAGE	
DJ 08/04/08		A		1:2		028802		1 OF 1	
APPR		B		110910.00					

VIEW FROM OUTSIDE OF MOTOR AT SWITCH END.



	ROTATION FACING LEAD END	L1	L2	JOIN
HIGH VOLT	C.C.W.	T1	T4 T5	T2,T3 T8
	C.W.	T1	T4 T8	T2,T3 T5
LOW VOLT	C.C.W.	T1 T3,T8	T2,T4 T5	
	C.W.	T1,T3 T5	T2,T4 T8	

* THIS LEAD MAY BE WHITE

		TOLERANCES UNLESS SPECIFIED		LEESON ELECTRIC MOTORS GEARMOTORS AND DRIVES		DRAWN JRW 09/27/74			
		DEC.	INCHES			CHK	TEM		
		.X	±.1			APPD	10/11/74		
11	ALTERNATE T5 LEAD MARKING WAS RED	RLW	8/6/02	.XX	±.01	TITLE	SCALE 1=1		
10	ADDED ALTERNATE T5 LEAD MARKING	RLW	6/5/02	KH	.XXX ±.005	EXT. WIRING DIAGRAM TYPE "K" W/O PROTECTOR	REF A-005053		
09	REDRAWN TO CAD	DBT	05/28/97		.XXXX ±.0005	MAT'L. DECAL-004012	FMF W-K6343		
NO.	REVISION	BY & DATE	CHK	ANG	±1/2"	FINISH	PREV		
THIS DRAWING IN DESIGN AND DETAIL IS OUR PROPERTY AND MUST NOT BE USED EXCEPT IN CONNECTION WITH OUR WORK ALL RIGHTS OF DESIGN AND INVENTION ARE RESERVED THIS IS AN ELECTRONICALLY GENERATED DOCUMENT - DO NOT SCALE THIS PRINT				RFP	CAD FILE	00505401	SIZE	DRAWING NO.	REV.
				DIST	BRF-NLV		A	005054-01	11



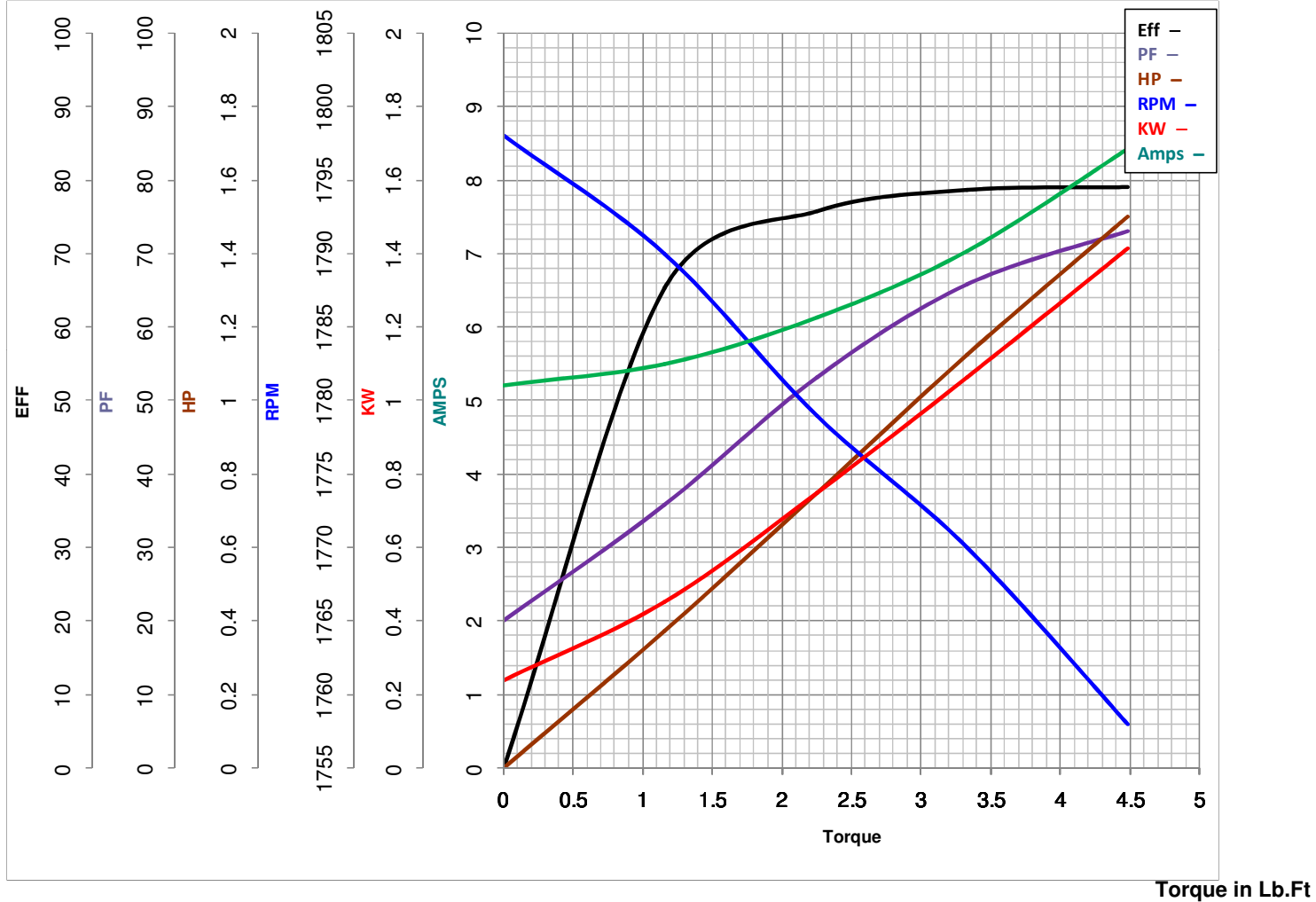
LEESON ELECTRIC CORPORATION
 TYPICAL PERFORMANCE CURVE for AC MOTOR

Model No 110910.00

Curve at 230 Volts HP 1.50 PHASE 1
60 HZ
1.5 HP VOLTS 115/208-230

Catalog No 110910.00

HZ 60 RPM 1725



FL TORQUE	<u>4.48</u>	Lb.Ft	FL AMPS	<u>17.2/8.8-8.6</u>
BD TORQUE	<u>10.7</u>	Lb.Ft	PU TORQUE	<u>9.3</u> Lb.Ft
LR TORQUE	<u>13</u>	Lb.Ft	LR AMPS	<u>50</u>
WINDING	K634119-3		Date	4/23/2018