



THOUSANDS OF SOLUTIONS.
ONE MATCHED **PERFECTLY**
TO YOUR NEEDS.



PRODUCT CATALOG

ELECTRIC MOTORS, GEARMOTORS AND DRIVES
SUB-FRACTIONAL TO 700 HP



What's New In This Catalog

Grain Dryer/Centrifugal Fan Motor
1 PHTEAO Rigid Base - pg 200

Grain Dryer/Centrifugal Fan Motor
15 HPTEFC - pg 199

Grain Dryer/Centrifugal Fan Motor
3 PHTEAO Rigid Base - pg 200

Grain Dryer/Centrifugal Fan Motor
3 PHTEFC Rigid Base - pg 201

IEC Brakemotors - pg 281 & 295

IEC 225M-315S Frame - B3 Flange -
Rigid Base Line Extension - pg 287

Higher Horse Power - SST - All stainless
Steel - pg 173

SGR Grounding Rings for Ultimate E®
series motors - pg 405

Platinum e™ Permanent Magnet
AC Motors - pg 92

Platinum Series AC Inverters - pages 373-376

What's Coming

Additional Agriculture Fan and Drying Motors

Extreme Duck® Ultra 180-210T Frame

Fire Pump Open Drip

Higher HP Stainless Steel Motors 250T-280T Frame

Vertical Hollow Shaft

Washguard Explosion Proof

Products listed in our L1050E comply with EISA, SMR and SMR2 mandate.

For a complete Terms & Conditions of Sale see the footer area on the home page of www.regalbeloit.com

Grain Dryer/Centrifugal Fan Motor



Page 199

IEC Brakemotor



Pages 281 & 295

Higher HP SST - All Stainless



Page 173

Table Of Contents

New Product	Page Number
Agricultural Duty Motors	192
AG - Pump Duty	202
Catfish Pond	202
Eco-AG Series / Premium Efficient 1 & 3 Phase	194
Extra High Torque 1 Phase	195
Fan Duty / Crop Dryer	198-200
Feather Picker	206
Feed Auger Duty	205
Grain Stirring/Crop Dryer	201
Hatchery / Fan Duty	206
High Torque 1-Phase	193 & 207
High Torque C Face 1-Phase	195
Milk Transfer Pump	203-204
Tobacco Barn Duty Fan Motors	201
Automotive Duty Motors	112
Brakemotors	278
Brakemotor Kits	283
General Purpose	273
High Cycle Brakemotors	277
IEC Brakemotors	281
Washdown Duty	276
Definite Purpose Motors	264
Boat Hoist Duty	273
Compressor Duty	249
Crusher / Quarry Duty	258
Elevator Duty	259
Export Only	269
Instant Reversing	255
Pressure Washer Duty	251
Two-Speed	257
Unit Handling	268
Woodworking Duty	253
Explosion Proof Motors	104
Single Phase	106
Three Phase - Higher HP ratings available	107
General Purpose Motors	
Single Phase Drip-Proof Motors	16
EcoSaver (Small Motor Rule)	17
Premium Efficient - Fan Duty	23
Resilient Base	24
Single Phase Totally Enclosed Motors	26
General Purpose	27
Premium Efficient	34
Pressure Washer	35
Resilient Base Mount	35
Single Phase C Face Motors	
General Purpose - Drip-Proof	20
General Purpose - TEFC	30
Pressure Washer - C-face - TEFC	36
Unit Handling - C-face - TEFC	37
Three Phase Drip-Proof Motors	40
General Purpose	41
Automatic Overload Protected	55
C-Face	46
Compressor Duty	53
F2 Mount	55

Resilient Base Mount	54
Ultimate e C-face	52
Ultimate e Rigid	50
Three Phase Totally Enclosed Motors	56
General Purpose	57
C-Face	64
Compressor Duty	79
F2 Mount	78
FHP For AC Drives	81
Resilient Base Mount	79
SUB-FHP Inverter Rated	80
TENV Enclosure	78
Ultimate e C-face	75
Ultimate e C-face with Roller Bearings	77
Ultimate e Rigid	73
HVAC / Fan Motors	212
Aeration Fan	219
AG Hatchery Duty	229
Agricultural Duty	229
Condenser Fan	221
Crop Dryer	228
Grain Dryer	227
Kiln Duty	234
Multi-Speed	217
Pedestal Fan	223
Premium Efficient - 1 Phase	215
Resilient Base - 1 Phase	214
Resilient Base - 3-Phase	216
Split Phase	222
TEAO Cooling Tower	233
Two-Speed	224
Ventilation Fan	220
IEC / Metric Motors	283
575 Volt - B3 Flange	292
B14 Flange	290
B3 Flange	286
B5 Flange	288
Commercial Duty	303
DC Metric	298
IEC Brakemotors	295
Metric Motor Flange Kits	294
Metric Stainless Washdown	296
Inverter / Vector Duty Motors	82
2000 : 1 With Encoder Feedback	87
2000 : 1 With Encoder Provision	83
4 : 1 Speed Ratio	88
Encoder Kits	85
SUB-FHP - 10 : 1 Speed Ratio	91
ODP - 10 : 1 Speed Ratio	90
Platinum e Permanent Magnet AC	92
Platinum e Series Permanent Magnet AC - Drives	373-376
Speedmaster Plus 1000:1 Constant Torque	86
Pump Motors	118
Carbonator Pump	124
EcoSaver Jet Pump - 2 speed - 1 PH	124
Explosion Proof Jet Pump	120 & 122
Fire Pump ODP & TEFC	135

Table of Contents (cont'd)

Hydraulic SAE Pump Motors - TEFC	141	Parallel Shaft, PZ SCR & Low Voltage	326
Jet Pump - Single & Three Phase	119	Right-Angle	336
JM Pump - ODP & TEFC	127	Right-Angle, Washdown Duty	344
JP Pump - ODP & TEFC	125	AC Gearmotors	
Washdown Duty Pump	123	Inverter Rated - PZ Series	358
Severe Duty Motors	94	Kits & Accessories	356
IEEE 841 Motors - Higher HP ratings available	95	Parallel Shaft P240	348
Multiguard Motors	101	Parallel Shaft PZ	346
WattSaver®e Plus - Mill & Chemical Duty	97	Parallel Shaft, P1100	352
WattSaver e Plus with C-face - Mill & Chemical Duty	99	Parallel Shaft, P240 Washdown Duty	349
Special Voltage	236	Parallel Shaft, PE350	350
200/400 Volt	242	Right Angle	354
50 Hz	243	Right-Angle Washdown Duty	355
575 Volt	237	AC & DC Controls	360
Medium Voltage	247	DC Drives	
Washdown Duty Motors	146	DC Dual Mode	365
575 Volt - Epoxy Painted	153	DC Low Voltage	364
Brakemotors - Epoxy Painted	155	DC PWM	363
Brakemotors - Stainless Steel	181	DC SCR Rated	362
DC Stainless	183	AC Drives	360
DC Washdown - Epoxy Painted	159	FHP Series	367
Extreme Duck Ultra Encapsulated Stainless	185	Inverter Kits and Accessories	386
Extreme Duck Ultra With Shaft Grounding Rings	189	Micro Series NEMA 1	368
Gearmotors - AC & DC Epoxy painted	162	Micro Series NEMA 4/12 & 4X	370
General Purpose Epoxy Painted -1 & 3 Phase	149	Platinum e VSD	373
IEC / Metric Stainless	182	Platinum e VSD Plus	375
Jet & JM Pump Motors - Epoxy Painted	153	SM Plus Series	382
JM Pump Motors - Stainless Steel	181	SM Series	384
Lincoln Wash-Thru™ Series	157	Vector Series NEMA 1	377
Premium Stainless 1 & 3 Phase	175	Vector Series NEMA 4/12	379
Premium Stainless with Shaft Grounding Rings	179	Motor Accessories / Kits	
SST Stainless - 1 & 3 Phase	171	Blower Kits	416
Washdown II Series / Paint Free	170	C Flange Kits	393-397
Stainless Steel Pedestal Fan	172	Cast Iron Fan Guard / Severe Duty Kits	398
Washguard® Brakekits™	156	CE Conversion Kits	404
Washguard Coupler Brakes	156	D Flange Kits	392
DC Motors	304	Drip-Cover Kits	399
Commercial Duty Low Voltage	320	Encoder Kits	401
Explosion Proof	308	Rodent Screen Kits	398
IEC / Metric	312	Shaft Grounding Kits	405
Low Voltage	316	Slide Base / Transition Bases	403
Low Voltage Metric	318	Terminal Block Kits	402
NEMA Frame SCR Rated	305	Conduit Box Kits	402
Stainless Washdown Duty	321	Motor Modifications, MOD-SQUAD	408
SUB-FHP Low Voltage	319	Factory Options	421
SUB-FHP Washdown Duty	311	General Information	
Sub-Fractional HP	310	Technical Information	6 & 480
Washdown Duty	309	Cross References	422
Gearmotors		Terms and Conditions	6
DC Gearmotors	324	Index	447
Parallel Shaft, OS300 - SCR & Low Voltage	330	Dimension Information	483
Parallel Shaft, P1100	334	Note Information	Inside back flap
Parallel Shaft, P300 - SCR & Low Voltage	328		
Parallel Shaft, P300 - Washdown Duty	340		
Parallel Shaft, PE350 Washdown Duty	342		
Parallel Shaft, PE350, SCR & Low Voltage	332		



New products and pricing are continually updated, for the latest real time product information please refer to leeson.com

The LEESON Mobile app puts all the product info you need at your fingertips



Available on Apple or Android
Scan this code to download app



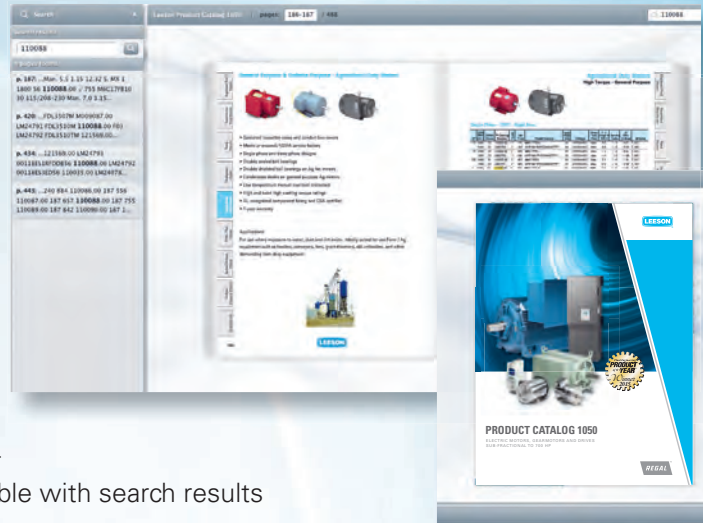
LEEBiz PLUS gives you real-time access to all of your most important account information.

- Real time inventory visibility
- Shipment tracking
- PDF product packet information
- Alternative product suggestions

www.leeson.com

Use our Easy Search Catalog available on leeson.com to help you easily search for products

- Search by product type
- Search by item number
- Engineering data available with search results



LEESON distributors use our interactive tool available to download and use on your laptop or mobile device to help you with your selling efforts

- Simple to use
- Touch screen friendly
- Contains LEESON product overview

Contact your local LEESON sales rep for more information



THOUSANDS OF MOTOR AND CONTROL SOLUTIONS. ONE MATCHED PERFECTLY TO YOUR NEEDS.

The LEESON brand spans more than 6,000 stock AC and DC motors, gearmotors and variable-speed control solutions. All are built for rugged commercial and industrial applications. Whether you need thousands of motors for OEM applications or a single replacement motor, count on our twenty-three stocking warehouses in the USA to get it there right when you need it. Whether you need a motor that withstands extreme temperatures, utilizes a unique mount or other requirement, we have solutions. Look to LEESON brand motors for innovative custom solutions, and personalized service through your local sales office.

To turn ideas into reality, contact your local LEESON sales office or visit leeson.com



AC & DC MOTORS OF ALL TYPES

- Sub-fractional to 5,000 HP
- Permanent Magnet AC & DC
- General Purpose 1 & 3 Phase
- Agricultural Duty
- Explosion Proof
- IEC Metric Motors
- Severe Duty and IEEE841
- Washdown Duty
- Inverter Duty
- HVAC—Fan Motors
- AC & DC Gearmotors
- Brakemotors
- Definite Purpose Motors
- Special Voltage

ADJUSTABLE SPEED DRIVES

SCR, PWM, Regenerative & Low Voltage DC Controls

AC Control Families include:

Micro Series

- 115 Volt, 230 Volt and 460 Volt input options
- 1/4 HP through 150 HP ratings
- IP20, IP31 & IP65 enclosure protection
- English readout display

SM & SM-Plus Series

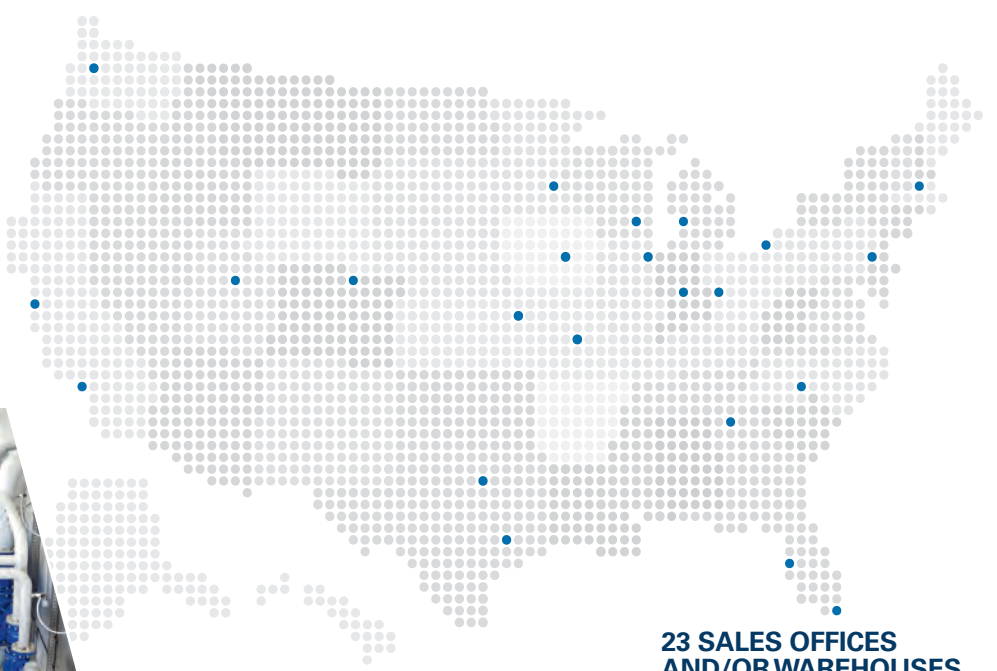
- 115 Volt, 230 Volt and 460 Volt input options
- 1/4 HP through 25 HP ratings
- IP20 enclosure protection
- Three digit LED display

SM2 & SM4 Vector Series

- 115 Volt, 230 Volt and 460 Volt input options
- 1/3 HP through 60 HP ratings
- IP31 and IP65 enclosure protection
- Four digit LED display

Platinum VSD & Platinum VSD-Plus Series

- 230 Volt and 460 Volt input options
- 1/3 HP through 30 HP ratings
- IP20 enclosure protection
- Permanent magnet AC & Induction AC motor capable



**23 SALES OFFICES
AND/OR WAREHOUSES
ACROSS THE U.S.**

ALLENTOWN, PA
ATLANTA, GA
BOSTON, MA
CHARLOTTE, NC
CHICAGO, IL
CINCINNATI, OH
CLEVELAND, OH
DALLAS, TX
DENVER, CO
DES MOINES, IA
GRAND RAPIDS, MI
HOUSTON, TX
INDIANAPOLIS, IN

KANSAS CITY, MO
LOS ANGELES, CA
MIAMI, FL
MILWAUKEE, WI
MINNEAPOLIS, MN
SALT LAKE CITY, UT
SAN FRANCISCO, CA
SEATTLE, WA
ST. LOUIS, MO
TAMPA, FL



Technical Information

Application Information

AGENCY LISTINGS

UL and CSA

LEESON® Electric and Lincoln motors fire pump and Explosion Proof motors are UL Listed. Other motor types are UL Recognized, including models with inherent overheating protection as noted (i.e. thermally protected models). LESSON and Lincoln motors are also CSA certified for both explosion proof and non-explosion proof enclosures.

AC Motors

Non-Explosion Proof	UL File No.	CSA File No.
NEMA 25-449 Frame	E49747	LR2025
NEMA 500 and 5000 Frame	—	LR2025*
IEC 63-90 Frame	E49747	LR2025
IEC 100-280 Frame	E49747	LR2025#
Thermally Protected motors	E6312	LR2025
Insulation Systems	E37900	LR2025

* Does not include coverage for use with VFD

Domestic product only

Explosion Proof	UL File No.	CSA File No.
NEMA® 56-326 Frame	E12044	LR47504
NEMA 364-449 Frame	E12044	LR21839

Fire Pump Motors	UL File No.	CSA File No.
NEMA 143-510	EX5190	LR2025

Class I, Division 2/Zone	UL File No.	CSA File No.
NEMA 48-449 5000 Frame	—	LR21839

European ATEX Zone 2	Intertek Certificate No..
NEMA 143-449, IEC 112-280	ITS06ATEX45370

Cast iron frame designs only

Non-Explosion Proof	UL File No.	CSA File No.
NEMA 25-145	E49747	LR2025
AC Inverters	E161242	#
SpeedMaster SCR Controls	E132235	LR41380
FHP Speed Drives	E132235	—

- UL Certified for Canada under UL File E 1.67242

PMDC Motors + Gear Motors

ATEX Directive (ATmospheres EXplosibles)

Mandatory by law, the European Union (EU) directive 94/9/EC requires that electric motors for use in explosive atmospheres carry the CE mark, notified body identifier, Ex symbol, equipment group and category, plus the date code. See "European Installations" for additional details, located on the next page.

NEMA (National Electrical Manufacturers Ass'n)

LEESON Electric and Lincoln motors' are manufactured in accordance with all applicable areas of NEMA standards in MG1-2006. When applied in accordance with the "Guidelines for Application of Three Phase Motors on Variable Frequency Drives," **LEESON Electric and Lincoln Motors' are in full compliance with NEMA MG1-2006, Part 31, Section 4.4.2**, as pertaining to voltage spikes. 460 volt motors must

withstand voltage spikes of up to 1426 volts; 575 volt motors must withstand spikes up to 1788 volts. See "Insulation Systems" for additional detail on this subject.

Website: www.nema.org

Commitment to RoHS and WEEE European Directives

European directive 2011/65/EU "Restriction of Use of Certain Hazardous Substances" (RoHS) and Directive 2012/19/EU "Directives on Waste Electrical and Electronic Equipment" (WEEE) were enacted to control the amount of certain hazardous substances contained in products shipped into the E.U. Restricted substances include lead, mercury, cadmium, hexavalent chromium, polybrominated biphenyls and polybrominated dipheynl ethers.

The scope of products covered, affecting motors, is:

- Large household appliances
- Small household appliances
- IT and telecommunications equipment
- Consumer equipment
- Electrical and electronic tools (except large scale stationary and industrial tools)
- Toys, leisure and sports equipment
- Automatic dispensers

The directives do not currently apply to medical devices, monitoring and control instruments, spare parts for the repair or reuse of electrical and electronic equipment placed on the market before July 1, 2006, and most military and state security equipment.

Regal Beloit America, Inc. (of which LEESON Electric is a business unit and which is an affiliate of Regal Beloit Corporation) worked closely with suppliers to assure that product falling within the scope of these directives meets the specified levels of these substances. The directives took affect July 1st, 2006 however many products were converted in May and June. The products converted are motors in NEMA frame size 145 and below, both AC and DC motors with the following exceptions:

- Brakemotors in 56-145 frame **will have to be ordered specifically as RoHS compliant.**
- Some motors with specialty electro-mechanical components.

ISO QUALITY CERTIFICATION

LEESON Electric is a business unit of Regal Beloit America, Inc., which is an affiliate of Regal Beloit Corporation. We are ISO 9001:2008 and our registrar is NSF-ISR. The certificate number for the corporation is C0026928-IS2. leeson.com/Technical Information

TERMS AND CONDITIONS

To view our complete set of Terms & Conditions visit www.regalbeloit.com
Terms & Conditions listed in the footer section.



LEESON® Electric and Lincoln Motors employ the use of Exxon POLYREX® EM grease, a specially formulated bearing grease designed for electric motors. POLYREX EM provides superior lubricity, durability and resists corrosion, rust and washout.

Maximum safe mechanical speed capability is a function of bearing size, type and grease selection, as well as rotor balance specifications. Consult the “Maximum Safe Mechanical Speed Limits” chart in the “Overspeed Capability” section.

Note that these values do not imply maximum constant horsepower RPM.

EFFICIENCY

The efficiency of a motor is the ratio of its useful power output to its total power input and is usually expressed in a percentage. LEESON Electric and Lincoln Motors offers standard, high efficient EAct, and NEMA® Premium efficient ratings. Standard efficiency motors may only be used on applications that are exempt from legislated efficiencies. The high efficient motor line is in compliance with the Energy Policy Act of 1992 (EAct) and/or Canadian efficiencies as set by NRCAN. The Energy Independence and Security Act of 2007 (EISA07) has become a law on December 19, 2010, requiring current EAct-compliant motors to meet NEMA Premium efficiencies, and most EAct-exempt motors to meet EAct levels. Premium efficient motors in this catalog meet NEMA Premium unless otherwise noted.

The LEESON WattSAVER®e and Lincoln Ultimate e® line is a premium efficiency line, which exceeds mandated efficiencies of EAct and /or NRCAN. Unless otherwise noted, premium efficient motors in this catalog meet NEMA Premium, the newly promoted efficiency levels by NEMA and the Consortium for Energy Efficiency (CEE).

ELECTRICAL TYPE/STARTING METHOD

Motors in this catalog are capacitor start, split phase, permanent split capacitor, or three phase. Capacitor Start motors have high starting torque, high breakdown torque, and relatively low starting current. Split phase motors have medium starting torque and medium starting current. Permanent split capacitor motors have low starting torque and low starting current. Three phase motors have high starting, extra breakdown torque, and typically very low starting current. Single phase motors cannot be applied on variable frequency drives with three phase output.

ENCLOSURE AND METHOD OF COOLING

LEESON Electric and Lincoln Motors are available in various enclosures; Drip-proof (DP), Drip-proof Force Ventilated (DPFV), Totally Enclosed Fan Cooled (TEFC), Totally Enclosed Non-Ventilated (TENV), Totally Enclosed (TEAO) and Totally Enclosed Blower Cooled (TEBC). Application conditions will determine the type of motor enclosure required.

Drip-proof motors have open enclosures and are suitable for indoor use and in relatively clean atmospheres. Drip-proof motors have ventilating openings constructed so that drops of liquid or solid particles falling on the machine at an angle of not greater than 15 degrees from the vertical cannot enter the machine.

Totally enclosed motors are suitable for use in humid environments or dusty, contaminated atmospheres. Totally enclosed non-ventilated motors are NOT cooled by external means. Totally enclosed fan cooled motors are cooled by external means that are part of the motor but not in the internal workings of the motor. Totally enclosed air over motors are sufficiently cooled by external means, provided by the customer.

HAZARDOUS DUTY

Hazardous Duty motors are totally enclosed (fan cooled or non-ventilated) motors designed for applications in hazardous atmospheres containing explosive gases and/or combustible dusts.

North American installations

North American standards for electric motors generally fall into one of two divisions. Division 1 Explosion Proof motors are UL Listed in accordance with NFPA Class I (Flammable Gases) or Class II (Combustible Dusts) and Groups (gases or dusts), depending upon the atmosphere. Division 2 motors are CSA Certified and are marked similarly to Division 1 equipment. Inverter Duty motors through 449T frames are CSA Certified for use in Division 2 locations.

European installations

Motors for hazardous locations in Europe must meet a different set of standards and require different markings than those of North America. CENELEC sets the standards for equipment in hazardous locations for Europe Motors for use in explosive atmospheres in Europe are often referred to as flameproof (Zone 1) or non-sparking (Zone 2) motors. These motors must comply with the ATEX Directive. The ATEX Directive covers all electrical equipment used in explosive atmospheres. To ensure compliance with the Directive, equipment must meet the essential ATEX requirements and carry the CE mark on the nameplate. Other information required on the nameplate includes the Ex symbol, group & category, Ex protection method, gas group, and temperature code, example (Ex) II 3 G Ex nA IIC T3).

The tables on the next page describe LEESON Electric and Lincoln Motors capabilities by Area Classification and by Temperature Code.

Single Phase ODP Motors

Single Phase TEFC Motors

Three Phase ODP Motors

Three Phase TEFC Motors

Inverter Duty Motors

Severe Duty Motors

Explosion Proof Motors

Automotive Duty Motors

Polyrex and Exxon are the trademarks or trade names of Exxon Mobil Corporation. All Rights Reserved.

NEMA is a trademark of National Electrical Manufacturers Corporation. All Rights Reserved.



Technical Information

Application Information

Single Phase
ODP Motors

Single Phase
TEFC Motors

Three Phase
ODP Motors

Three Phase
TEFC Motors

Inverter Duty
Motors

Severe Duty
Motors

Explosion Proof
Motors

Automotive
Duty Motors

LEESON® Electric and Lincoln Motors Hazardous Duty Motor Area Classification Chart

Class I Area Classification (Flammable Gases, Vapors or Mists)				Class II Area Classification (Combustible Dusts)			
North America		Europe - ATEX Ⓢ (Category G - Gases)		North America		Europe - ATEX Ⓢ (Category D - Dusts)	
Division 1 Explosion Proof	Division 2 TEFC & TENV	Zone1 Flameproof	Zone 2 Non-Sparking	Division 1 Explosion Proof	Division2	Zone 21 Flameproof	Zone 22 Non-Sparking
① Group A	Group A	N/A	N/A	-	-	-	-
② Group B	Group B	N/A	N/A	-	-	-	-
Group C	Group C	N/A	N/A	-	-	-	-
Group D	Group D	N/A	N/A	-	-	-	-
-	-	N/A	-	Group EⓈ	-	N/A	N/A
-	-	N/A	-	Group F	Group FⓈ	N/A	N/A
-	-	N/A	-	Group G	Group GⓈ	N/A	N/A

- Group is not applicable to that Division or Zone, or is not defined.
- ① Group is not available from LEESON Electric and Lincoln Motors.
- ② Contact factory representative for availability.
- Ⓢ Please contact your local LEESON sales office for ATEX certification

LEESON Electric and Lincoln Motors Hazardous Duty Motor Temperature Code Chart

TEMPERATURE CODES			Division 1 Explosion Proof / Flameproof		Division 2 / Non-Sparking
			Class I Area Classification (Flammable Gases, Vapors or Mists)	Class II Area Classification* (Combustible Dusts)	Class I Area Classification (Flammable Gases, Vapors or Mists)
Temp.	UL/CSA	ATEX	Division 1/Zone 1	Division 1/Zone 21	Division 2/Zone 2
280°C	T2A	T2(280)	Explosion Proof - Class I, Group D (Group C as noted)		
260°C	T2B	T2(260)			Severe Duty & IEEE-841 @ 1.15 S.F., Class I, Groups A,B,C,D (Sine wave power)
215°C	T2D	T2(215)			
200°C	T3	T3			
165°C	T3B	T3(165)	Explosion Proof - Class I, Group D (Group C as noted), Sine wave or PWM power	Explosion Proof - Class II, Groups F & G, Sine wave or PWM power	
160°C	T3C	T3(160)			
135°C	T4	T4			

* Class II, Division 2 motors are not available from LEESON Electric and Lincoln Motors.

Division I & II ambient range is -25°C to +40°C



Technical Information

Application Information

Guidelines for application of general purpose, three phase single phase motors on variable frequency drives to meet NEMA® MG - 2006 Part 30 and Part 31, Section 4.4.2.
Unless stated otherwise, motor nameplates do NOT include listed speed range.

ENCLOSURE	EFFICIENCY	VARIABLE TORQUE	CONSTANT TORQUE								
		ALL FRAMES	56	143-215		254-286		324-365		404-449	
NEMA Motors		ALL POLES	ALL POLES	2-Pole	4 & 6 Pole	2-Pole	4 & 6 Pole	2-Pole	4 & 6 Pole	2-Pole	4 & 6 Pole
ODP	Standard (EPAAct exempt)	10:1	2:1	2:1	2:1	Contact Engineering					
	EPAAct compliant	10:1	n/a	10:1	2:1	2:1	2:1	Contact Engineering			
	NEMA Premium	10:1	n/a	2:1	10:1	10:1	10:1				
TEFC	Standard (EPAAct exempt)	10:1	2:1	2:1	2:1	Contact Engineering					
	EPAAct compliant	10:1	n/a	2:1	10:1	2:1	10:1	2:1	2:1	2:1	2:1
	NEMA Premium	10:1	n/a	2:1	20:1	2:1	20:1	2:1	20:1	2:1	20:1
TENV	EPAAct compliant	10:1	n/a	1000:1	1000:1	1000:1	1000:1	1000:1	1000:1	1000:1	1000:1
	NEMA Premium	10:1	1000:1	1000:1	1000:1	1000:1	1000:1	1000:1	1000:1	1000:1	1000:1
Washdown TEFC	Standard (EPAAct exempt)	10:1	10:1 (2)	10:1 (2)	10:1 (2)	n/a	n/a	n/a	n/a	n/a	n/a
	EPAAct compliant	10:1	10:1 (2)	10:1 (2)	10:1 (2)	n/a	n/a	n/a	n/a	n/a	n/a
	NEMA Premium	10:1	10:1 (2)	10:1 (2)	10:1 (2)	n/a	n/a	n/a	n/a	n/a	n/a
Washdown TENV	Standard (EPAAct exempt)	10:1	1000:1	1000:1	1000:1	n/a	n/a	n/a	n/a	n/a	n/a
	EPAAct compliant	10:1	1000:1	1000:1	1000:1	n/a	n/a	n/a	n/a	n/a	n/a
	NEMA Premium	10:1	1000:1	1000:1	1000:1	n/a	n/a	n/a	n/a	n/a	n/a
Explosion Proof	All efficiency levels	Explosion proof motors must be properly nameplated with inverter duty information prior to use on VFD. Motors with automatic overload protectors cannot be used on VFDs.									
IEC Motors		ALL FRAMES	63-90		100-225		250-315				
All enclosures	All efficiency levels	10:1	20:1		Up to 20:1		Up to 2:1				

Note (2) - Washdown TEFC motors are rated for 10:1 C.T. 60 minute duty or 2:1 C.T. continuous duty at lowest RPM
 Lincoln rolled steel - ODP - 280-360 frame - 2:1 Constant torque

280 Frame and higher - TEFC -280-360 frame- 2:1 Constant torque
 400 Frame and higher - Contact local sales office
 Stock 90 VDC and 180 VDC Motors 30:1 of rated torque

Application Notes

Bearing currents: LEESON Electric recommends that any motors used with variable frequency drives be equipped with suitable means to protect the motor bearings from shaft currents caused by common mode voltages inherent with operation on a non-sinusoidal power supply. LEESON Electric offers several options for motors in non-classified (non-hazardous) locations, including ground brushes, insulated bearings and non-contact shaft grounding rings. For more information on ground brushes and bearing currents, see the VARIABLE SPEED OPERATION section. For installation cost and available options, see the MOD Squad section.

Restricted use: DO NOT APPLY THE FOLLOWING MOTORS ON VARIABLE FREQUENCY DRIVES:

Single Phase motors: motors with inherent overload protection, multi-speed motors, motors with 1.0 service Factor on sine wave power. Fire pump motors should not be used with variable frequency power supplies, due to the critical nature of these applications.

Hazardous locations: Consult with LEESON Electric when applying motors and drives into hazardous locations, either Division/Zone 1 or Division/Zone 2 areas. UL and CSA policies prohibit the installation of bearing protection devices, such as shaft grounding brushes, rings or insulated bearings on motors in hazardous locations.

Maximum Cable Lengths from the Motor to Drive

* Higher carrier frequencies require shorter cable length to obtain normal (50Khrs) insulation life.

Standard Motor Insulation Systems

PRODUCT DESCRIPTION	3 kHz CARRIER FREQUENCY (PHASE TO PHASE)*		
	230 VOLT	460 VOLT	575 VOLT
56-326 NEMA, 100-225 IEC Frames	600 ft.	125 ft.	40 ft.
364-5013 NEMA, 250-315 IEC Frames	1000 ft.	225 ft.	60 ft.
Motors with Corona Resistant Magnet Wire	1500 ft.	475 ft.	140 ft.
Motors with IRIS® or Ultimate e® Spike Defense™	Unlimited	Unlimited	650 ft.
Form-wound low voltage motors	Unlimited	Unlimited	650 ft.
Standard Motor Insulation Systems			
IRIS® INSULATION SYSTEM	ULTIMATE SPIKE DEFENSE™		
All LEESON 3-Phase Motors 1HP and above	Lincoln Premium Efficient Motors		
All LEESON Premium Efficient Motors	Lincoln Inverter Duty Motors		
All LEESON Inverter Duty Motors	Lincoln CTAC® Motors		



Technical Information

Application Information

VARIABLE SPEED INFORMATION

LEESON® Electric and Lincoln Motors Vector-Duty and Inverter Duty Motors, unless otherwise stated, are rated for continuous operation in a 40°C ambient and for altitudes up to 3300 feet (1000 meters) above sea level. Special application considerations, such as high or low ambient, intermittent ratings, high altitude, duty cycle rated, extended constant horsepower range, special base speed, voltage or frequency, or any other special requirements, should be reviewed by a factory representative.

It is the responsibility of the startup personnel during commissioning of the VFD/motor system to properly tune the drive to the motor for the specific application. The correct voltage boost and volts/hertz settings are application dependent and unique to each motor design. Procedures for these adjustments should be in your VFD user manual. Many vector duty and inverter duty motors in this catalog are equipped with thermostats; warranty coverage may be denied if they are not properly utilized.

WARNING! *Power factor correction capacitors should never be installed between the drive and the motor.*

INVERTER DUTY OR INVERTER RATED

“Inverter Duty” (often called “Inverter Rated”) motors are suitable for use with Variable Frequency Drives, as long as operation is within the application guidelines published in this catalog. In general, LEESON Electric and Lincoln Motors’ three phase, general purpose, NEMA® Design B motors are considered “Inverter Duty”, and meet or exceed the requirements of NEMA MG1, Part 30. As required under federal law, these motors comply with EISA2007 efficiencies when operating from utility power.

Inverter Duty (Rated) motors are most often used in 10:1 speed range, variable torque or constant torque applications. A vector control is usually required for operation beyond 10:1 CT.

Additional detail regarding a specific product’s capabilities is available on its catalog page, or by consulting your application engineer.

VECTOR DUTY

“Vector Duty” describes a class of motors that are used in conjunction with Open- (without encoder) or Closed-Loop (with encoder) Vector controls, that provide enhanced performance under low speed operating conditions, or in cases where torque (rather than speed) must be controlled. “Vector Duty” motors can be applied to Volts/Hertz (scalar) drives, as well.

LEESON Electric’s Speedmaster® motors and Lincoln motors’ CTAC motors, have been specifically designed for optimal operation on vector or volts/hertz controls. These motors feature a wide constant torque (up to 2000:1) and/or constant horsepower (up to 4:1) speed range and are performance-matched to all current technology IGBT drives. Vector duty motors meet or exceed the requirements of NEMA MG1, Part 31, and are equipped with an enhanced insulation system (IRIS® or Ultimate Spike Defense™) to provide many years of trouble-free service. Consult the catalog page for each product’s capabilities and features. As these

motors are specifically designed for operation through an inverter, they are exempt from EISA2007.

VARIABLE TORQUE LOADS

Applications include fans, blowers and centrifugal pumps. Torque varies as the square of the speed, and horsepower as the cube of the speed. Operation below base speed significantly lightens the load on the motor. While most variable torque applications do not require the motor to operate below half speed, the motor is fully capable of operation to zero speed. Operation above base speed significantly adds to the load on the motor; therefore, a factory representative must review applications requiring variable torque above base speed. Refer to the application chart found on page 9 for use of general purpose three phase motors on variable frequency drives. A bypass circuit is often employed in variable torque applications. If this device is intended to be used, selection of a NEMA Design B motor is recommended, to withstand the inrush current during across-the-line starting.

CONSTANT TORQUE LOADS

Applications include conveyors, elevators, hoists, extruders, positive displacement pumps, mixers and converting equipment. Torque remains constant throughout the range of operation, and extra care should be taken in the proper application of motors, especially at very low speeds. Most constant torque applications don’t require operation below 10:1 (i.e. 6 Hz operation on a 60 Hz motor), but an increasing number of applications historically reserved for servo and/or stepper systems are being served with motors capable of operation beyond 20:1...even up to 2000:1 (zero speed, constant torque). Refer to the application chart found on page 9 for use of general purpose three phase motors on variable frequency drives.

Applications requiring greater than 20:1 C.T. are ideal for LEESON Speedmaster® Inverter Duty/Vector Duty and Lincoln Vector Duty CTAC® motors. These motors provide full rated torque within their listed speed range, without exceeding a Class F temperature rating while under inverter power (many operate at Class B). Ratings in this catalog have been developed, based on extensive testing on IGBT inverters, set at a minimum 3 KHz (or equivalent) carrier frequency.

Vector Duty and Inverter Duty motors from LEESON Electric and Lincoln Motors are designed for operation at 150% of rated load for one minute, up to the base speed of the motor (overload capability declines to 100% as the motor reaches maximum constant HP speed). These motors accommodate constant horsepower operation to 1-1/2 to 2 times base speed, subject to the motor’s maximum safe mechanical speed limit. Refer to the Maximum Safe Mechanical Speed Chart, as well as the performance section for each motor’s capability.

Motors rated for zero RPM continuous duty (1000:1 or 2000:1) must be powered by vector drives to produce rated torque without overheating. Optimum zero speed and low-speed full torque performance may require a closed loop vector drive (with encoder feedback).

Continued on next page

Single Phase
ODP MotorsSingle Phase
TEFC MotorsThree Phase
ODP MotorsThree Phase
TEFC MotorsInverter Duty
MotorsSevere Duty
MotorsExplosion Proof
MotorsAutomotive
Duty Motors

CONSTANT HORSEPOWER LOADS

Applications include coil winders, band saws, grinders, and turret lathes. Operation requires the motor to deliver the same horsepower rating, regardless of shaft speed. Torque increases at low speed and decreases at higher speed. Most general purpose motors can deliver constant horsepower up to 1 1/2 times base speed (consult a factory representative to verify performance). However, many constant HP applications require operation to twice base speed, and some, such as coil winders, up to 4 times base speed.

MOTOR GROUNDING

Frames and accessories of all motors must be grounded in accordance with the National Electric Code (NEC) Article 430. Refer to NEC Article 250 for general information on grounding. Proper grounding of inverter-driven motors is essential to protect personnel and livestock from inverter-sourced common mode voltages, which may reach hazardous levels on the frame of ungrounded or poorly grounded motors.

LOW INPUT VOLTAGE

If, due to lower utility supply voltage, the input voltage from the VFD to the motor is lower than the motor's rated voltage, de-rating of the motor's base frequency, horsepower, full load RPM, and constant HP RPM is required. The revised values can be calculated by multiplying by the ratio of the voltage change. For example, to operate a 460 volt motor from an inverter fed by 50 or 60 HZ, 400 volt utility power, the multiplier is 400/460 or 0.87.

The VFD can be reprogrammed to match the new base point values, allowing the motor to provide rated torque at rated current from the new base speed down to its original minimum Constant torque speed. The motor's CHP range will begin at the new base frequency and will be shortened by the same ratio as described above.

OVERSPEED CAPABILITY

Maximum safe mechanical speed capability is a function of bearing size and type, lubrication, rotor balancing technique and specifications, air gap, enclosure, frame construction and connection to the driven load. In addition, consideration must be given to ambient noise levels, as operation above base speed will increase motor noise and vibration, and reduce bearing life. Under no circumstances should bearing hub temperature exceed 100° C. Belted loads should not exceed 60 Hz operating RPM by more than 25% (NEMA® "TS" shafts are not suitable for belted loads). Due to external cooling fans, TEFC (and Explosion Proof Fan Cooled) motors are limited to 4000 RPM maximum speed.

Maximum Safe Mechanical Speed Limits (ODP, TENV, DPFV OR TEBC ENCLOSURES)

60 Hz base frequency

Frame Size	2-Pole	4, 6 or 8-Pole
56-184	7200	5400
213-256	5400	4200
284-286	5400	3600
324-326	4000	3600
364-365	4000	2800
404-449	3600	2800
5000 Fr	N/A	CALL
6800 Fr	N/A	CALL

Single Phase
ODP Motors

Single Phase
TEFC Motors

Three Phase
ODP Motors

Three Phase
TEFC Motors

Inverter Duty
Motors

Severe Duty
Motors

Explosion Proof
Motors

Automotive
Duty Motors

Technical Information

Variable Speed Operation

OTHER APPLICATION CONSIDERATIONS –

For proper selection, the following should be considered:

- Horsepower or torque requirements at various speeds.
- Desired speed range of the load and motor.
- Acceleration and deceleration rate requirements of the process being controlled.
- Starting requirements including the frequency of starting and a description of the load (reflected inertia at the motor, load torque during starting).
- Whether the application is a continuous process or duty cycle of starts, stops and speed changes.
- A general description of the type of application including the environment in which the VFD system components must operate (determines motor enclosure and/or explosion proof classification)
- Description of the available electrical power supply and wiring.
- Special performance requirements, if any.
- Whether the drive will be configured with a by-pass circuit. In case of its deployment, the motor will operate like its fixed speed counterpart and may require a NEMA® B design which limits in-rush current, or selection of a larger motor starter or other protective circuitry.
- Load sharing
- Mounting and other mechanical considerations.

Single Phase ODP Motors

Single Phase TEFC Motors

Three Phase ODP Motors

Three Phase TEFC Motors

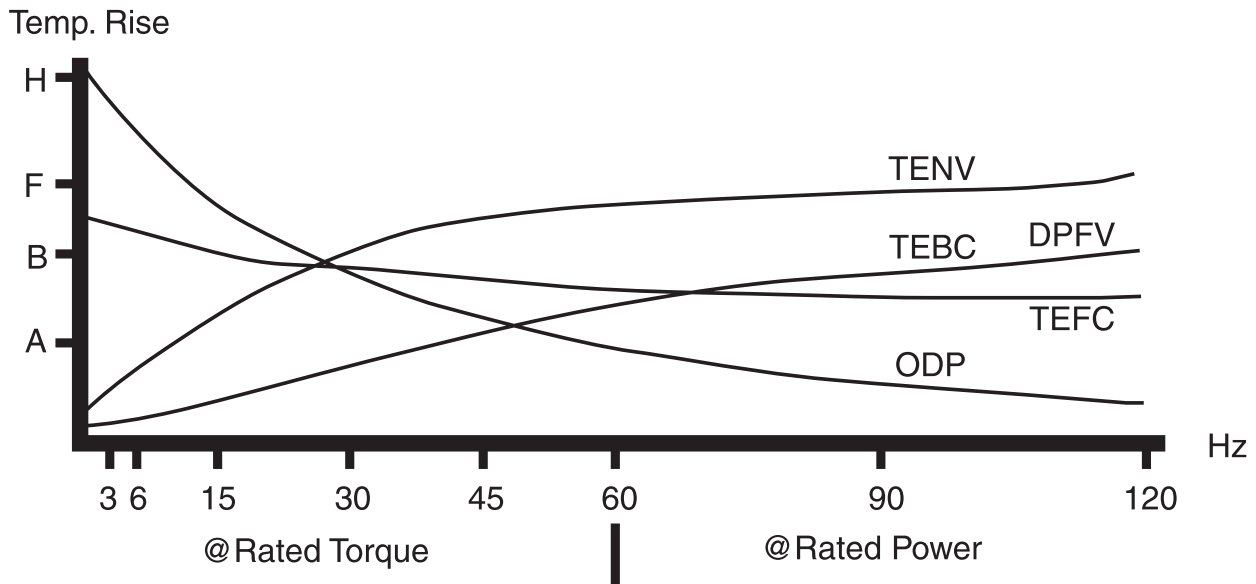
Inverter Duty Motors

Severe Duty Motors

Explosion Proof Motors

Automotive Duty Motors

Typical Temperature Rise Of Various Enclosures



Technical Information

LEESON® Model Number Nomenclature

LEESON MOTOR MODEL NUMBER NOMENCLATURE

All LEESON motors, both stock and custom, have a catalog number and a model number. The model number appears on the motor's nameplate and describes pertinent electrical and mechanical features of the motor. An example follows along with a listing of the various letters and positions used.

POSITION 1: U.L. PREFIX

- A = Auto protector. UL recognized for locked rotor plus run, also recognized construction (UL 1004)*.
- M = Manual protector. UL recognized for locked rotor plus run, also recognized construction (UL 1004)*.
- C = Component recognition. (UL 1004) No protector.
- U = Auto protector. UL recognized construction (UL1004).
Motor/protector combination not UL recognized.
- P = Manual protector. UL recognized construction (UL1004).
Motor/protector combination not UL recognized.
- T = Thermostat, not UL recognized.
- N = No overload protection.

*This applies only to 48, S56, and 56 frame designs through 1 HP, Open & TENV.

POSITION 2: FRAME

- | | | |
|-------------------|---------------|---------------|
| 4 = 48 Frame | 24 = 24 Frame | 40 = 40 Frame |
| 6 = 56 Frame | 25 = 25 Frame | 43 = 43 Frame |
| 42 = 42 Frame | 30 = 30 Frame | 44 = 44 Frame |
| 143 = 143T Frame | 31 = 31 Frame | |
| 145 = 145T Frame | 32 = 32 Frame | |
| 182 = 182T Frame | 34 = 34 Frame | |
| 184 = 184T Frame | 38 = 38 Frame | |
| 213 = 213T Frame | | |
| 215 = 215T Frame | | |
| 254 = 254T Frame | | |
| 256 = 256T Frame | | |
| 284 = 284T Frame | | |
| 286 = 286T Frame | | |
| 324 = 324T Frame | | |
| 326 = 326T Frame | | |
| 364 = 364T Frame | | |
| 365 = 365T Frame | | |
| 404 = 404T Frame | | |
| 405 = 405 T Frame | | |
| 444 = 444T Frame | | |
| 447 = 447T Frame | | |
| 449 = 449T Frame | | |

POSITION 3: MOTOR TYPE

- | | |
|------------------------|---------------------------|
| C =Cap. Start/Ind. Run | T =Three Phase |
| D =Direct Current | B =Brushless DC |
| K =Cap. Start/Cap. Run | H =Inverter Rated/IEEE841 |
| P =Permanent Split | S =Split Phase |

Odd frequencies other than 50 Hz show synchronous speed code. DC and special motors may have one, two, or three digits indicating motor speed rounded to the nearest hundred RPM.

EXAMPLE:

Position No. **1 2 3 4 5 6 7 8**
 Sample Model No. **A 4 C 17 D B 1 A**

POSITION 4: RPM

RPM-Single Speed

- 34 = 3450 RPM 60 Hz 2 Pole
- 28 = 2850 RPM 50 Hz 2 Pole
- 17 = 1725 RPM 60 Hz 4 Pole
- 14 = 1425 RPM 50 Hz 4 Pole
- 11 = 1140 RPM 60 Hz 6 Pole
- 9 = 950 RPM 50 Hz 6 Pole
- 8 = 960 RPM 60 Hz 8 Pole
- 7 = 720 RPM 50 Hz 8 Pole
- 7 = 795 RPM 60 Hz 10 Pole
- 6 = 580 RPM 50 Hz 10 Pole
- 6 = 580 RPM 60 Hz 12 Pole

RPM-Multi-Speed

- 24 = 2 and 4 Poles
- 26 = 2 and 6 Poles
- 82 = 2 and 8 Poles
- 212 = 2 and 12 Poles
- 46 = 4 and 6 Poles
- 48 = 4 and 8 Poles
- 410 = 4 and 10 Poles
- 412 = 4 and 12 Poles
- 68 = 6 and 8 Poles

POSITION 5: ENCLOSURE

- D = Drip-Proof
- E = Explosion-Proof TENV
- F = Fan Cooled
- N = TENV
- O = Open
- S = Splashproof
- W = Weatherproof, Severe Duty, Chemical Duty, WASHGUARD® - TEFC
- X = Explosion-Proof TEFC
- V = Weatherproof, Severe Duty, Chemical Duty, WASHGUARD - TENV

POSITION 6: MOUNTING

- B = Rigid base standard
- C = "C" face - no base - NEMA
- D = "D" flange - no base - NEMA
- H = 48 frame - 56 frame mounting/shaft rigid
- J = 48 frame - 56 frame mounting/shaft resilient
- K = Rigid mount with "C" flange
- M = Motor parts - rotor and stator
- R = Resilient base
- S = Shell motor
- T = Round body
- Z = Special mounting

POSITION 7: SEQUENCE NUMBER

Number assigned as required when new designs with new characteristics are needed.

POSITION 8: MODIFICATION LETTER

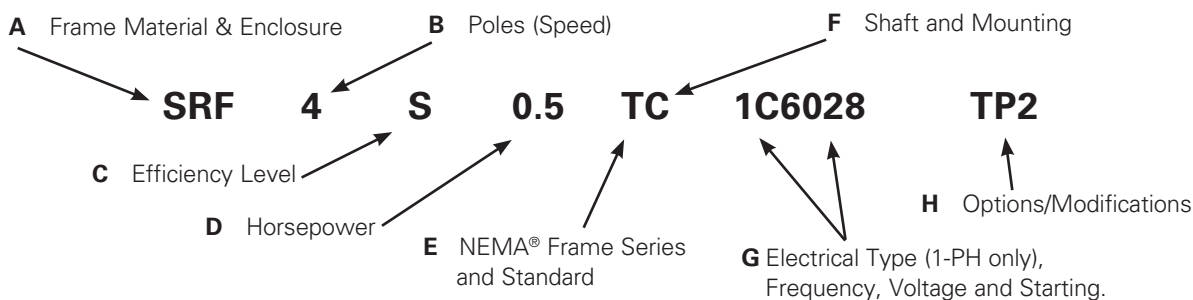
Major modification letter. Used when revisions made in existing model will affect service parts.



Technical Information

Lincoln Motors Model Number Defined

A Typical Single Phase Motor Model Number



A Typical Three Phase Motor Model Number

EXAMPLE:

Position No.	A	B	C	D	E,F	G	H
Sample Three Phase Model No. SF2P50TSC619	SF	2	P	50	TSC	61Y	Options/Modifications
Sample One Phase Model No. SF2P50TSC619	SRF	4	S	0.5	TC	1C6028	

- AP20 Division 2 Hazardous location Class 1, DIV2, Groups A,B,C,D
- AP25 China sourced Ultimate E® brand
- AP26 MT2 plant sourced
- CRI Crusher Duty

A Frame Material:

- A, AA = Extruded aluminum
- AV = Alum 63 frame
- AP = Alum 71 frame
- AR = Alum 80 frame
- C = Cast iron
- M = Steel (encapsulated windings, 284T-445T frames)
- S = Steel (143T-449T frames)

Signature Series Motors

- SP = Steel (48 frames)
- SR = Steel (56 frames)
- SS = Steel (143T-215T frames)
- CC = Cast iron (143T and larger)

Enclosure (follows Frame Material):

- A = TEAO
- B = TEBC
- D = ODP
- E = ODP-Encapsulated
- EW = Wash-Thru™ Motor
- F = TEFC
- RN = Steel TENV 48 frame
- N = TENV
- P = Severe Duty IEEE 841
- S = Severe Duty
- FW = TEFC, Washdown
- FX = TE, Explosion-proof
- NW = TENV, Washdown
- RA = TEAO, Steel
- NX = XP, TENV
- YF = TEFC, Metric
- PA = Steel 48 frame
- PN = Steel TENV 48 frame
- RN = Steel TENV 48 frame

B Number of Magnetic Poles: this leads to motor synchronous speed (rpm).

Poles	Speed 60 Hz	Speed 50 Hz
2	3600 RPM	3000 RPM
4	1800	1500
6	1200	1000
8	900	750

Single speed motors:
4 = 1800 (60 Hz) or 1500 (50 Hz)

Two speed motors:
2/4/1 = 3600 and 1800 (60 Hz), one winding
4/8/2 = 1800 and 900 (60 Hz), two windings

C Efficiency Level:

- B = Exceeds NEMA MG-1 Table 12-12
- G = Below NEMA MG-1 Table 12-11, GM7EQ
- P = Meets EPCAct, NEMA MG-1 Table 12-11 and GM-7EH.
- S, H = Below NEMA MG-1 Tables 12-11 and 12-12

D Horsepower:

Single speed motor examples: 0.25, 0.5, 1.5, 75, 800
Horsepower range example: 5-7 = 5 to 7
Two speed motor example:
10/2.5 = 10 HP high speed, 2.5 HP low speed



Technical Information

Lincoln Motors Model Number Defined

E NEMA® Frame Series and Dimensions:

T or U = sets frame number and dimensions in accordance with NEMA T or U design standards for the motor's HP, speed and enclosure.
E = Metric design IEC

F Shaft and Mounting:

AD = Auger drive	R = Resilient mount
C = C-Face, B14	S = NEMA short shaft
D = D-Flange, B5	Y = special mounting
J = Jet Pump	(ie. extended thru-bolts)
JM = JM Pump Mount	Z = non-standard shaft
JP = JP Pump Mount	dimensions (-1, -2, -3, etc.
L = Locked bearing	will appear at the end of
N = No feet	the Model Number)

Double shaft motors are identified by two symbols, the first for the "normal drive end" and the second for the "opposite normal drive end": SD4B30TTM61Y and SD4P75TSTS61Y

Each end of the double shaft can have its own mounting: MD4S125TSCTSC61 and CS6P15TTMC61Y

Mounting symbols are listed in alphabetical order when more than one is specified: SSD2S25TJMN61

G Electrical Type (Single Phase Only):

1A = permanent split capacitor
 1B = capacitor start, capacitor run
 1C = capacitor start, induction run
 1N = split phase start, capacitor run
 1S = split phase

Frequency:

6_ = 60 Hz and 5_ = 50 Hz

Voltage:

The specific number has no significance. Lincoln will assign the next number in sequence to a new, previously unmanufactured voltage when it is ordered.

Commonly used voltage codes:

60 Hz		50 Hz
61 = 230/460 V	6026 = 208-230/460	51 = 220/380 V
62 = 200/400	6027 = 115/230	52 = 240/415
63 = 208	6028 = 115/208-230	53 = 230/400
64 = 460	6029 = 208-220/440	54 = 200/400
65 = 575		55 = 380
67 = 440		56 = 400
68 = 380		57 = 415
69 = 480		58 = 440
6003 = 220/380		59 = 220/440
6004 = 220/440		5001 = 190/380
6020 = 2300		5007 = 346
6021 = 4000		5012 = 550
6024 = 2300/4000		5014 = 380-415

Reduced Voltage Start Capability:

P = Part winding start (PWS)
 Y = Wye-delta start (YDS)
 PY = PWS and YDS

H OPTIONS/MODIFICATIONS:

If a motor has more than one Option / Modification, the symbols will appear in alphabetical order.

AP1	CE Compliant Motor
AP5	Fire Pump certified
AP7	Farm Duty, High Torque
AP8	Farm Duty, Extra High Torque
AP9	Grain Stirring
AP10	PSC Variable Speed
AP11	PSC Variable Speed, expanded speed range
AP13	UL Listed Class 1 Groups C & D and Class 2 Groups F & G, thermostats
AP14	UL Listed Class 1 Groups C & D and Class 2 Groups F & G, auto reset thermal protector
AP15	UL Listed Class 1 Group D and Class 2 Groups F & G, thermostats
AP21	China Sourced
AP25	China Sourced Ultimate E®
B	F-2 Mount
C_	Ceiling Mount - NEMA position follows "C"; 1-2
E3	Class H Insulation
E5	Class H Insulation & High Temperature Grease
F	Fungus Proofing (Tropicalization)
H4	Leads exit motor at 12 o'clock position
HS	Precision Dynamic Balance
HT1	Space Heater, 120V
HT2	Space Heater, 240 V
K	Omit Terminal Box
L_	Additional Lead Length - "L" followed by additional length in inches
MB3	Insulated bearings, both ends
MB6	Double sealed bearings, both ends
MK_	Brake installed on motor
Q1	VTAC Inverter Duty Motor
Q10	CTAC® Inverter Duty Motor with provision for mounting feedback device
Q15	CTAC Inverter Duty Motor with factory installed Dynapar 625 1024 ppr encoder
Q15_	CTAC Inverter Duty Motor with factory installed encoder - letter following "Q15" represents brand and ppr rating of encoder, A through S.
Q20	CTAC Inverter Duty motor without provision for mounting feedback device
Q40	CTAC Inverter Duty Motor without provision for mounting feedback device
QS10	Crop dryer (single phase, auto reset)
QS11	Crop dryer (single phase, thermostats)
QS12	Crop dryer (three phase, thermostats)
RB	Roller bearing on drive end
T1	Thermostats, Class F, 3 in series
TD1,2	RTD - Winding, 100 Ω platinum
TD4	RTD - Winding, 10 Ω copper
TD6	RTD - Winding, 120 Ω nickel
TP1	Overload protection, manual reset
TP2	Overload protection, auto reset
TX1	Thermistors, 3 in series
W_	Wall Mount - W followed by NEMA position number, 1-8
X_	Paint color deviation



Dynapar is a trademark of Dynapar Corporation.

NEMA is a trademark of National Electrical Manufacturers Corporation. All Rights Reserved.

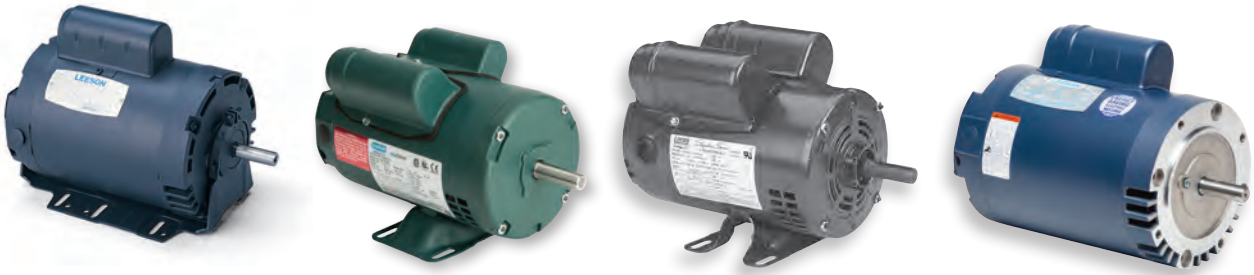
Single Phase ODP Motors

Single Phase Motors – General Purpose – Drip-Proof – 115/208-230V

Rigid Mount – 1/4 HP – 10 HP – Frame sizes - 48 – 215T

C Face Mount – 1/4 HP – 7 1/2 HP – Frame sizes 56C – 215TC

Resilient Base Mount – 1/4 HP – 2 HP – Frame sizes – 48 – 56



- Durable rolled steel construction
- NEMA® design B performance
- Meets or exceeds NEMA service factors
- Double shielded ball bearings
- Continuous duty
- Thermally protected ratings
- UL recognized component listing and CSA certified
- 1-year warranty on general purpose motors
- 3-year warranty on premium efficient motors

Applications:

For use where water and dust exposure is minimal. Ideally suited for use on pumps, compressors, blowers, fans and other standard industrial applications



Single Phase – Drip-Proof – Rigid Base

HP	SYN RPM 60 Hz	NEMA Frame	▼ Catalog Number	Stock	List Price	Model Number	App. Wgt. (lbs)	Voltage	Over-load Prot.	F. L. Amps @ 230 V	Service Factor	“C” Dim. (Inches)	♥ Notes
1/4	1800	48	E101423.00	√	466	M4K17DB13	19	115/208-230	Man.	1.2	1.35	10.37	S, MX, 53
1/4	1800	48	E100115.00	√	466	A4K17D11	16	115/208-230	Auto.	1.2	1.35	10.12	S, MX, 53
1/4	1800	S56	100000.00	D	386	A4C17DH1	17	115/208-230	Auto.	2.7	1.35	9.24	S, MX
1/4	1800	S56	E100000.00	√	482	A4K17DH17	20	115/208-230	Auto.	1.2	1.35	10.49	S, MX, 53
1/3	3600	S56	100336.00	D	316	C4C34DH11	26	115/208-230	None	2.8	1.35	8.99	S, MX
1/3	3600	S56	E100336.00	√	405	C4K34DH6	29	115/208-230	None	1.5	1.35	10.49	S, MX, 53
1/3	1800	48	100116.00	D	386	A4C17DB2	17	115/208-230	Auto.	3.3	1.35	8.87	S, MX
1/3	1800	48	E100116.00	√	418	A4K17DB12	16	115/208-230	Auto.	1.9	1.35	10.62	S, MX, 53
1/3	1800	S56	E100006.00	√	515	C4K17DH5	19	115/208-230	None	1.9	1.35	10.99	S, MX, 53
1/3	1800	S56	E100588.00	√	531	M4K17DH17	21	115/208-230	Man.	1.9	1.35	10.99	S, MX, 53
1/3	1800	S56	LM24550	D	475	SRD4S0.33T1C6028TP1	18	115/208-230	Man.	3.2	1.35	10.22	S, MX
1/3	1800	S56	LM34481	√	542	SRD40.33T16027TP1	18	115/208-230	Man.	2.3	1.35	10.97	S, MX, 53
1/3	1800	S56	E100001.00	√	534	A4K17DH8	16	115/208-230	Auto.	1.9	1.35	10.99	S, MX, 53
1/3	1200	56	E104018.00	√	700	C4K11DH1	32	115/208-230	None	1.7	1.35	11.99	S, MX, 53
1/2	3600	48	E100184.00	√	436	C4K34DB1	29	115/208-230	None	2.2	1.25	10.37	S, MX, 53
1/2	3600	S56	E100337.00	√	447	C4K34DH5	21	115/208-230	None	2.2	1.25	10.99	S, MX, 53
1/2	3600	S56	100052.00	D	377	M4C34DH2	21	115/208-230	Man.	3.4	1.25	9.99	S, MX
1/2	3600	S56	E100052.00	√	471	M4K34DH12	19	115/208-230	Man.	2.2	1.25	10.99	S, MX, 53
1/2	1800	48	E100338.00	√	565	C4K17DB5	30	115/208-230	None	2.3	1.25	11.12	S, MX, 53
1/2	1800	S56	E100007.00	√	565	C4K17DH6	30	115/208-230	None	2.3	1.25	11.49	S, MX, 53
1/2	1800	S56	E100004.00	√	587	M4K17DH21	23	115/208-230	Man.	2.3	1.25	11.49	S, MX, 53
1/2	1800	S56	E100002.00	√	582	A4K17DH19	23	115/208-230	Auto.	2.3	1.25	11.49	S, MX, 53
1/2	1200	56	E110002.00	√	1,059	C6K11DB5	33	115/208-230	None	2.6	1.25	12.37	S, MX, 53
3/4	3600	S56	E100340.00	√	535	C4K34DH4	31	115/208-230	None	3.6	1.25	11.49	S, MX, 53
3/4	3600	S56	100053.00	D	475	M4C34DH3	24	115/208-230	Man.	4.9	1.25	10.49	S, MX
3/4	3600	S56	E100053.00	√	549	M4K34DH13	28	115/208-230	Man.	3.6	1.25	11.49	S, MX, 53
3/4	1800	56	E119348.00	√	652	C6K17DB51	27	115/208-230	None	3.3	1.25	13.15	S, MX, 53
3/4	1800	56	E119855.00	√	686	M05617DRR70014A3		115/208-230	Man.	—	—	—	S, MX, 53
3/4	1800	S56	100003.00	D	625	A4C17DH4	25	115/208-230	Auto.	5.4	1.25	10.99	S, MX
3/4	1800	56	E119854.00	√	674	_____		115/208-230	Auto.	—	—	—	S, MX, 53
3/4	1200	56H	E110003.00	√	1,073	C6K11DB6	45	115/208-230	None	3.3	1.15	13.62	S, MX, 53

Green items are Premium Efficient

“E” prefix items comply with SMR 2015

▼ LM Numbers are Lincoln Models

D - Item to be discontinued once inventory is depleted

Continued on next page

♥ Note listing on inside back flap
Specifications are subject to change without notice

Single Phase ODP Motors

ecoSaver™

Capacitor Start – General Purpose

Single Phase – Drip-Proof – Rigid Base

HP	SYN RPM 60 Hz	NEMA Frame	▼ Catalog Number	Stock	List Price	Model Number	App. Wgt. (lbs)	Voltage	Over-load Prot.	F. L. Amps @ 230 V	Service Factor	"C" Dim. (Inches)	♥ Notes
1	3600	56	E110360.00	✓	575	C6K34DB31	29	115/208-230	None	3.9	1.25	11.37	S, US, 53
1	3600	56	E110097.00	✓	590	M6K34DB37	30	115/208-230	Man.	3.9	1.25	11.37	S, US, 53
1	1800	56	110004.00	D	591	C6C17DB2	28	115/208-230	None	6.4	1.15	11.87	S, US
1	1800	56	E110004.00	✓	749	C6K17DB52	29	115/208-230	None	4.2	1.15	11.44	S, US, 53
1	1800	56	110167.00	D	695	M6C17DB7	30	115/208-230	Man.	6.4	1.15	10.84	S, US
1	1800	56	E110167.00	✓	772	M6K17DB54	33	115/208-230	Man.	4.2	1.15	11.87	S, US, 53
1	1800	56	110000.00	D	669	A6C17DB1	28	115/208-230	Auto.	6.4	1.15	10.88	S, US
1	1800	56	E110000.00	✓	759	A6K17DB56	31	—————	Auto.	4.2	1.15	11.87	S, US, 53
1	1800	143T	120044.00	✓	660	C143C17DB3	38	115/208-230	None	6.4	1.15	11.28	S, US
1	1800	143T	120003.00	✓	695	M143C17DB2	33	115/208-230	Man.	6.4	1.15	11.31	S, US
1	1800	143T	120000.00	✓	694	A143C17DB1	32	115/208-230	Auto.	6.4	1.15	11.33	S, US
1 1/2	3600	56	E110361.00	✓	801	C6K34DB32	30	115/208-230	None	6.1	1.15	11.87	S, US, 53
1 1/2	3600	56	113631.00	D	651	M6K34D15	36	115/208-230	Man.	6.2	1.15	11.34	S, US, 53
1 1/2	3600	56	E113631.00	✓	801	M6K34DB35	39	115/208-230	Man.	6.1	1.15	12.37	S, US, 53
1 1/2	3600	143T	120107.00	C/A	633	C143C34D1	32	115/208-230	None	8.2	1.15	11.28	S, US
1 1/2	1800	56H	E110005.00	✓	853	C6K17DB53	38	115/208-230	None	6.5	1.15	12.87	S, US, 53
1 1/2	1800	56H	113266.00	D	868	M6K17DB30	42	115/208-230	Man.	6.7	1.15	12.38	S, US, 53
1 1/2	1800	56H	E113266.00	✓	879	M6K17DB55	45	115/208-230	Man.	4.2	1.15	12.87	S, US, 53
1 1/2	1800	145T	120042.00	✓	730	C145K17DB5	38	115/208-230	None	8.6	1.15	12.28	S, US, 53
1 1/2	1800	145T	LM24687	✓	766	SSD4S1.5T1C6028	41	115/208-230	None	9.0	1.15	12.49	S, MX
1 1/2	1800	145T	120004.00	✓	927	P145K17DB3	40	115/208-230	Man.	8.6	1.15	12.28	S, US, 53
1 1/2	1800	145T	120001.00	✓	927	U145K17DB1	40	115/208-230	Auto.	8.6	1.15	12.28	S, US, 53
2	3600	56	110363.00	D	838	C6C34DB22	37	115/208-230	None	10.0	1.15	11.84	S, US
2	3600	56	E110363.00	✓	910	C6K34DB33	38	115/208-230	None	8.0	1.15	11.87	S, US, 53
2	3600	56	110362.00	D	873	P6C34DB21	38	115/208-230	Man.	10.0	1.15	12.34	S, US
2	3600	56	E113632.00	✓	929	—————	—————	115/208-230	Man.	—————	—————	—————	S, US, 53
2	3600	145T	120106.00	✓	902	C145C34DB3	40	115/208-230	None	10.0	1.15	12.28	S, US
2	1800	56H	116704.00	D	927	P6K17DB47	45	115/208-230	Man.	8.6	1.15	12.88	S, US, 53
2	1800	56H	E116704.00	✓	982	—————	45	115/208-230	Man.	8.6	1.15	12.88	S, US, 53
2	1800	145T	120067.00	✓	871	C145K17DB9	42	115/208-230	None	10.5	1.15	13.28	S, US, 53
2	1800	145T	LM24677	✓	911	SSD4S2T16028	49	115/208-230	None	10.5	1.15	13.49	S, MX, 53
2	1800	145T	120879.00	✓	975	P145K17DB38	51	115/208-230	Man.	8.6	1.15	12.45	S, US, 53
2	1800	182T	131515.00	✓	902	C182C17DB8	56	115/208-230	None	12.4	1.15	13.19	S, MX
2	1800	182T	131536.00	✓	965	P182C17DB10	63	115/208-230	Man.	12.4	1.15	13.19	S, MX
2	1800	182T	131535.00	✓	960	U182C17DB9	63	115/208-230	Auto.	12.4	1.15	13.19	S, MX

Green items are Premium Efficient

"E" prefix items comply with SMR 2015

▼ LM Numbers are Lincoln Models

D - Item to be discontinued once inventory is depleted

C/A - Check Availability

Continued on next page

♥ Note listing on inside back flap
Specifications are subject to change without notice

Single Phase – Drip-Proof – Rigid Base

HP	SYN RPM 60 Hz	NEMA Frame	▼ Catalog Number	Stock	List Price	Model Number	App. Wgt. (lbs)	Voltage	Over-load Prot.	F. L. Amps @ 230 V	Service Factor	"C" Dim. (Inches)	♥ Notes
3	3600	56H	116706.00	D	935	M6C34DB75	39	208-230	Man.	15.0	1.0	12.38	S, US
3	3600	56H	E116706.00	√	975	_____	_____	208-230	Man.	_____	1.0	_____	S, US, 53
3	3600	182T	131636.00	√	1,037	C182K34DB3	74	115/208-230	None	14.0	1.15	14.18	S, MX, 53
3	1800	184T	131534.00	√	976	C184C17DB19	69	115/208-230	None	16.9	1.15	14.19	S, MX
3	1800	184T	131561.00	√	1,155	P184C17DB21	76	115/208-230	Man.	16.9	1.15	14.19	S, MX
3	1800	184T	131851.00	C/A	1,153	C184K17DB40	72	208-230	Man.	13.7	1.15	15.22	S, MX, 53
3	1800	184T	131530.00	√	1,155	U184C17DB20	69	115/208-230	Auto.	16.9	1.15	14.19	S, MX
5	3600	56H	116708.00	√	956	P6K34DB26	45	208-230	Man.	20.8	1.0	13.34	S, MX, 53
5	3600	184T	131616.00	√	1,234	C184K34DB3	84	208-230	None	22.0	1.15	14.69	S, MX, 53
5	3600	184T	LM24681	C/A	1,265	SS184D2S5T1C6008	78	208-230	None	24.0	1.15	14.72	S, MX, 53
5	1800	184T	131537.00	√	1,171	C184K17DB31	83	208-230	None	21.0	1.15	14.69	S, MX, 53
5	1800	184T	LM24682	√	1,197	SSD4S5T16008	87	208-230	None	21.0	1.15	15.72	S, MX, 53
5	1800	184T	131560.00	√	1,171	C184K17DB32	82	208	None	23.2*	1.15	14.69	S, MX, 53
5	1800	184T	131622.00	√	1,400	P184K17DB33	82	208-230	Man.	21.0	1.15	14.69	S, MX, 53
7 1/2	3600	184T	132044.00	√	1,128	C184K34DB8	110	208-230	Tstat	31.0	1.15	16.69	S, MX, 53
7 1/2	3600	213T	140680.00	√	1,905	C213K34DB1	112	208-230	None	29.5	1.15	18.04	S, MX, 53
7 1/2	1800	215T	140155.00	√	1,663	C215K17DB2	113	208-230	None	36.0	1.15	17.26	S, MX, 53
7 1/2	1800	215T	LM24683	√	1,754	SS15D4S75T16008	118	208-230	None	34.5	1.15	18.05	S, MX, 53
10	3600	215T	140681.00	√	2,409	C215K34DB1	135	208-230	None	37.0	1.15	18.05	S, MX, 53
10	1800	215TZ	140311.00	√	2,430	C215K17DB4	140	208-230	None	43.0	1.25	19.76	S, MX, 53
10	1800	215T	LM24684	√	2,490	SSD4S10T16008	140	208-230	None	44.0	1.15	19.29	S, MX, 53

* F.L. Amps at 208V

▼ LM Numbers are Lincoln Models

D - Item to be discontinued once inventory is depleted

C/A - Check Availability

♥ Note listing on inside back flap
Specifications are subject to change without notice

Single Phase - C Face Motors



**Drip-Proof - Capacitor Start
General Purpose - C Face Less Base**



Single Phase - Drip-Proof - C Face Less Base

HP	SYN RPM 60 Hz	NEMA Frame	▼ Catalog Number	Stock	List Price	Model Number	App. Wgt. (lbs)	Voltage	Over-load Prot.	F. L. Amps @ 230 V	Service Factor	"C" Dim. (Inches)	♥ Notes
1/4	1800	S56C	100023.00	D	377	C4C17DC7	17	115/208-230	None	2.7	1.35	9.24	S,MX
1/4	1800	S56C	E100023.00	√	485	C4K17DC13	18	115/208-230	None	1.2	1.35	10.74	S,MX,53
1/4	1800	S56C	E101521.00	√	495	A4K17DC19	18	115/208-230	Auto.	1.2	1.35	10.74	S,MX,53
1/3	3600	S56C	E100354.00	√	426	C4K34DC4	29	115/208-230	None	1.5	1.35	10.24	S,MX,53
1/3	3600	S56C	100355.00	D	349	A4C34DC12	17	115/208-230	Auto.	2.8	1.35	8.99	S,MX
1/3	3600	S56C	E100355.00	√	441	A4K34DC6A	18	115/208-230	Auto.	1.5	1.35	10.49	S,MX,53
1/3	1800	S56C	E100024.00	√	542	C4K17DC12	19	115/208-230	None	1.9	1.35	10.99	S,MX,53
1/3	1800	S56C	LM34059	C/A	544	SRD40.33TLCN1C6028	19	115/208-230	None	1.9	1.35	10.94	S,MX,53
1/3	1800	S56C	E100018.00	√	559	M4K17DC20	18	115/208-230	Man.	1.9	1.35	10.99	S,MX,53
1/3	1800	S56C	E101522.00	√	550	A4K17DC21	20	115/208-230	Auto.	1.9	1.35	10.99	S,MX,53
1/2	3600	S56C	E100356.00	√	463	C4K34DC3	29	115/208-230	None	2.2	1.25	10.74	S,MX,53
1/2	3600	S56C	100054.00	D	375	A4C34DC1	18	115/208-230	Auto.	3.4	1.25	9.99	S,MX
1/2	3600	S56C	E100054.00	√	481	A4K34DC7	21	115/208-230	Auto.	2.2	1.25	10.99	S,MX,53
1/2	1800	S56C	E100025.00	√	583	C4K17DC14	30	115/208-230	None	2.3	1.25	11.49	S,MX,53
1/2	1800	S56C	100019.00	D	536	M4C17DC3	21	115/208-230	Man.	4.4	1.25	9.99	S,MX
1/2	1800	S56C	E100019.00	√	600	M4K17DC23	24	115/208-230	Man.	2.3	1.25	11.49	S,MX,53
1/2	1800	S56C	100020.00	D	523	A4C17DC4	20	115/208-230	Auto.	4.4	1.25	9.99	S,MX
1/2	1800	S56C	E100020.00	√	589	A4K17DC22	23	115/208-230	Auto.	2.3	1.25	—	S,MX,53
1/2	1200	56C	E110381.00	√	1,083	C6K11DC5	33	115/208-230	None	2.6	1.25	12.37	S,US
3/4	3600	S56C	E100357.00	√	565	C4K34DC5	24	115/208-230	None	3.6	1.25	11.49	S,MX,53
3/4	3600	S56C	E100055.00	√	562	A4K34DC8	27	115/208-230	Auto.	3.6	1.25	11.49	S,MX,53
3/4	1800	56C	E119349.00	√	674	C6K17DC50	25	115/208-230	None	3.3	1.25	13.15	S,MX
3/4	1800	56C	E119857.00	√	704	M05617DRC70004A3	24	115/208-230	Man.	3.2	1.25	12.31	S,MX,53
3/4	1800	56C	E119862.00	√	697	A6K17DC49	29	115/208-230	Auto.	3.2	1.25	10.99	S,MX,53
3/4	1200	56C	E110382.00	√	1,164	C6K11DC6	47	115/208-230	None	3.3	1.15	13.62	S,US,53
1	3600	56C	E110384.00	√	615	C6K34DC25	29	115/208-230	None	3.9	1.25	11.37	S, US, 53
1	3600	56C	E113337.00	√	633	A6K34DC31	31	115/208-230	Auto.	3.9	1.25	11.87	S,MX,53
1	1800	56C	E110220.00	√	759	C6K17DC51	31	115/208-230	None	4.2	1.15	11.87	S,US,53
1	1800	56C	E110036.00	√	788	M6K17DC57	30	115/208-230	Man.	4.2	1.15	11.87	S,MX,53
1	1800	143TC	121002.00	√	688	C143C17DC2	31	115/208-230	None	6.4	1.15	11.28	S,US

Green items are Premium Efficient

"E" prefix items comply with SMR 2015

▼ LM Numbers are Lincoln Models

D - Item to be discontinued once inventory is depleted

C/A - Check Availability

Continued on next page

♥ Note listing on inside back flap
Specifications are subject to change without notice



Single Phase - C Face Motors



**Drip-Proof - Capacitor Start
General Purpose - C Face Less Base**

Tech Information

Single Phase
ODP Motors

Single Phase
TEFC Motors

Three Phase
ODP Motors

Three Phase
TEFC Motors

Inverter Duty
Motors

Severe Duty
Motors

Explosion Proof
Motors

Automotive
Duty Motors

Single Phase - Drip-Proof - C Face Less Base

HP	SYN RPM 60 Hz	NEMA Frame	▼ Catalog Number	Stock	List Price	Model Number	App. Wgt. (lbs)	Voltage	Over-load Prot.	F. L. Amps @ 230 V	Service Factor	"C" Dim. (Inches)	♥ Notes
1 1/2	3600	56C	E110387.00	√	835	C6K34DC26	29	115/208-230	None	6.1	1.15	11.87	S,US,53
1 1/2	3600	56C	113336.00	D	699	A6C34DC52	28	115/208-230	Auto.	8.2	1.15	10.84	S,US
1 1/2	3600	56C	E113336.00	√	853	A6K34DC28	31	115/208-230	Auto.	6.1	1.15	12.37	S,US,53
1 1/2	1800	56C	110388.00	D	769	C6K17DC4	38	115/208-230	None	8.6	1.15	11.84	S,US,53
1 1/2	1800	56C	E110388.00	√	867	C6K17DC52	39	115/208-230	None	6.5	1.15	12.87	S,US,53
1 1/2	1800	56C	E110037.00	√	888	M6K17DC55A	42	115/208-230	Man.	6.5	1.15	12.87	S,US,53
2	3600	56C	E110390.00	√	900	C6K34DC27	38	115/208-230	None	8.0	1.15	11.87	S,US,53
2	3600	56C	113335.00	D	903	U6C34DC51	36	115/208-230	Auto.	10.0	1.15	11.84	S,US
2	3600	56C	E113335.00	√	946	A6K34DC29A	39	115/208-230	Auto.	8.0	1.15	11.87	S,US,53
2	3600	145TC	121184.00	C/A	880	C145C34DC4	37	115/208-230	None	10.0	1.15	12.28	S,US
2	1800	56C	LM34060	√	934	SRD42TLCN16028	49	115/208-230	None	6.3	1.15	14.10	S,MX,53
2	1800	145TC	120073.00	√	873	C145K17DC4	49	115/208-230	None	10.5	1.15	13.28	S,US,53
3	3600	56C	113334.00	D	920	P6C34DC50	36	230	Auto.	15.0	1.00	11.84	S,US
3	3600	56C	E113334.00	√	988	_____	_____	_____	_____	_____	_____	_____	S,US,53
3	1800	184TC	131544.00	√	1015	C184C17DC5	73	115/208-230	None	16.9	1.15	14.20	S,MX
5	3600	184TC	131777.00	C/A	1,359	C184K34DC2	70	230	None	22.2	1.15	14.70	S,MX,53
5	1800	184TC	131539.00	C/A	1,414	C184K17DC6	81	230	None	21.0	1.15	14.70	S,MX,53

Green items are Premium Efficient

"E" prefix items comply with SMR 2015

▼ LM Numbers are Lincoln Models

D - Item to be discontinued once inventory is depleted

C/A - Check Availability

♥ Note listing on inside back flap
Specifications are subject to change without notice



Single Phase - C Face Motors

ecoSaver™

Drip-Proof - Capacitor Start

Single Phase - Drip-Proof - C Face With Base

HP	SYN RPM 60 Hz	NEMA Frame	Catalog Number	Stock	List Price	Model Number	App. Wgt. (lbs)	Voltage	Over-load Prot.	F. L. Amps @ 230 V	Service Factor	"C" Dim. (Inches)	♥ Notes
1/3	1800	S56C	E103023.00	√	553	C4K17DK2	19	115/208-230	None	1.9	1.35	10.74	S,MX,53
1/3	1800	S56C	E103083.00	C/A	575	M4K17DH18A	18	115/208-230	Man.	1.9	1.35	10.99	S,MX,53
1/2	3600	S56C	E103024.00	√	470	C4K34DK3	29	115/208-230	None	2.2	1.25	10.74	S,MX,53
1/2	1800	S56C	E101651.00	√	605	C4K17DK5	30	115/208-230	None	2.3	1.25	11.49	S,MX,53
1/2	1800	S56C	E103084.00	√	606	M4K17DH20A	21	115/208-230	Man.	2.3	1.25	11.49	S,MX,53
3/4	3600	S56C	E103025.00	√	567	C4K34DK4	29	115/208-230	None	2.2	1.25	11.49	S,MX,53
3/4	1800	56C	E119350.00	√	671	C6K17DK44	28	115/208-230	None	3.3	1.25	13.08	S,MX,53
3/4	1800	56C	E119863.00	√	712	M05617DRR70016A3	27	115/208-230	Man.	3.2	1.25	12.31	S,MX,53
1	3600	56C	116769.00	D	508	C6K34DK6	28	115/208-230	None	6.0	1.25	10.87	S,US
1	3600	56C	E116769.00	√	617	C6K34DK23	29	115/208-230	None	3.9	1.25	11.37	S,US,53
1	1800	56C	E113930.00	√	770	C6K17DK45	35	115/208-230	None	4.2	1.15	11.87	S,US,53
1 1/2	3600	56C	E116770.00	C/A	834	C6K34DK24	36	115/208-230	None	6.1	1.15	11.87	S,US,53
1 1/2	3600	56C	114214.00	D	694	M6K34DK8	35	115/208-230	Man.	6.2	1.15	11.34	S,US,53
1 1/2	3600	56C	E114214.00	√	881	M6K34DK263	38	115/208-230	Man.	6.1	1.15	12.37	S,US,53
1 1/2	1800	56HC	E113932.00	√	877	C6K17DK46	40	115/208-230	None	6.5	1.15	12.87	S,US,53
1 1/2	1800	56HC	113700.00	D	916	M6K17DK15	38	115/208-230	Man.	7.2	1.15	11.84	S,US,53
1 1/2	1800	56HC	E113700.00	√	916	M6K17DK47	41	115/208-230	Man.	6.5	1.15	12.87	S,US,53
2	3600	56C	E116771.00	√	944	C6K34DK25	36	115/208-230	None	8.0	1.15	11.87	S,US,53
2	3600	56C	114215.00	D	880	P6K34DK9	35	115/208-230	Man.	8.6	1.15	11.34	S,US,53
2	3600	56C	E114215.00	√	968	M6K34DK27	38	115/208-230	Man.	8.0	1.00	12.37	S,US,53
2	1800	56HC	113281.00	D	948	P6K17DK12	45	115/208-230	Man.	8.6	1.15	12.87	S,US,53
2	1800	56HC	E113281.00	√	993	M05617DRR70030A3	—	115/208-230	Man.	—	1.15	—	S,MX,53
2	1800	145TC	120992.00	√	830	C145K17DK7	45	115/208-230	None	10.5	1.15	13.28	S,US,53
3	3600	56HC	116707.00	D	961	M6C34DK5	41	230	Man.	15.0	1.00	12.84	S,US
3	3600	56HC	E116707.00	√	1,019	—	—	115/208-230	Man.	—	1.00	—	S,MX,53
3	3600	182TC	132083.00	C/A	1,083	C182K34DK2	74	115/208-230	None	14.0	1.15	14.20	S,MX,53
3	1800	184TC	131629.00	√	1,155	P184C17DK3	70	115/208-230	Man.	16.9	1.15	14.20	S,MX
3	1800	184TC	131853.00	√	1,153	C184K17DK18	87	230	Man.	15.4	1.15	13.20	S,MX,53
5	3600	56HC	116709.00	√	983	P6K34DK18	46	230	Man.	20.8	1.00	13.84	S,US,53
5	3600	184TC	131781.00	√	1,364	C184K34DK4	70	230	None	22.2	1.15	14.70	S,MX,53
5	1800	184TC	131630.00	√	1,418	M184K17DK13	77	230	Man.	21.0	1.15	14.70	S,MX,53
7 1/2	3600	184TC	132043.00	√	1,415	C184K34DK8	112	230	T-stats	31.0	1.15	16.70	S,MX,53
7 1/2	1800	215TC	140806.00	√	1,457	C215K17D5	120	230	None	36.0	1.15	17.26	S,MX,53

Green items are Premium Efficient

"E" prefix items comply with SMR 2015

D - Item to be discontinued once inventory is depleted

C/A - Check Availability

♥ Note listing on inside back flap

Specifications are subject to change without notice

Single Phase ODP Motors

WATTSaver® e Premium Efficiency Fan Motors

Features Include:

- Premium efficient
- Class F insulation
- Terminal boards
- Shielded ball bearings



Single Phase – Drip-Proof – Resilient Base

HP	SYN RPM 60 Hz	NEMA Frame	Catalog Number	Stock	List Price	Model Number	App. Wgt. (lbs)	Voltage	Over-load Prot.	F. L. Amps @ 115 V	Service Factor	% F. L. Eff.	"C" Dim. (Inches)	♥ Notes
1/4	1800	48	101602.00	√	443	A4K17DR7	19	115	Auto.	2.5	1.35	71.0	10.39	S, MX, 32, 53
1/3	1800	48	101405.00	√	523	A4K17DR5	19	115	Auto.	3.2	1.35	75.0	10.39	S, MX, 32, 53
1/2	1800	48	101585.00	√	599	A4K17DR6	25	115	Auto.	4.6	1.35	76.0	11.39	S, MX, 32, 53

Green items are Premium Efficient

♥ Note listing on inside back flap
Specifications are subject to change without notice



Tech Information

Single Phase ODP Motors

Single Phase TEFC Motors

Three Phase ODP Motors

Three Phase TEFC Motors

Inverter Duty Motors

Severe Duty Motors

Explosion Proof Motors

Automotive Duty Motors

Single Phase ODP Motors

ecoSaver™

Resilient Base Motors – General Purpose or Fan Duty

General Specifications:

- Industrial quality resilient base
- Belt driven fans or fan on shaft applications
- Moderate starting torque
- Self ventilated designs



Drip-Proof – Single Phase – Resilient Base

HP	SYN RPM 60 Hz	NEMA Frame	Catalog Number	Stock	List Price	Model Number	App. Wgt. (lbs)	Voltage	Over-load Prot.	F. L. Amps @ 230 V	Service Factor	"C" Dim. (Inches)	♥ Notes
1/4	3600	48	101434.00	√	340	A4C34DR8	16	115/208-230	Auto.	2.0	1.00	9.39	S, MX
1/4	3600	48	E101434.00	√	438	A4K34DR4	19	115/208-230	Auto.	2.0	1.00	9.39	S, MX, 53
1/4	1800	48	100109.00	√	399	A4C17DR1	17	115/208-230	Auto.	2.7	1.35	9.89	S, MX
1/4	1800	48	E100109.00	√	470	A4K17DR18	16	115/208-230	Auto.	1.2	1.35	11.14	S, MX, 53
1/4	1800	48	100111.00	√	345	A4C17DR3	17	115/208-230	Auto.	2.7	1.00	9.89	S, MX
1/4	1800	48	E100111.00	√	447	A4K17DR17	15	115/208-230	Auto.	1.2	1.00	11.14	S, MX, 53
1/3	3600	48	101431.00	√	350	A4C34DR11	17	115/208-230	Auto.	2.3	1.00	9.39	S, MX
1/3	3600	48	E101431.00	√	501	A4K34DR1	20	115/208-230	Auto.	1.5	1.00	11.14	S, MX, 53
1/3	1800	48	100110.00	√	487	A4C17DR2	18	115/208-230	Auto.	3.3	1.35	9.89	S, MX
1/3	1800	48	E100110.00	√	534	A4K17DR19	21	115/208-230	Auto.	1.9	1.35	11.14	S, MX, 53
1/3	1800	48	101015.00	√	399	A4C17DR31	18	115/208-230	Auto.	3.3	1.00	9.89	S, MX
1/3	1800	48	E101015.00	√	437	A4K17DR20	21	115/208-230	Auto.	1.9	1.00	11.14	S, MX, 53
1/3	1800	S56	E100014.00	√	446	C4K17DJ9	20	115/208-230	None	1.9	1.35	10.97	S, MX, 53
1/3	1800	S56	100010.00	√	523	A4C17DJ2	18	115/208-230	Auto.	3.3	1.35	10.31	S, MX
1/3	1800	S56	E100010.00	√	487	A4K17DJ11	18	115/208-230	Auto.	1.9	1.35	11.81	S, MX, 53
1/3	1800	S56	100063.00	√	539	A4C17DJ9	19	115/208-230	Auto.	3.3	1.00	10.31	S, MX
1/3	1800	S56	E100063.00	√	399	A4K17DJ12	22	115/208-230	Auto.	1.9	1.00	11.81	S, MX, 53
1/2	3600	48	101432.00	√	513	A4C34DR10	20	115/208-230	Auto.	3.4	1.00	9.89	S, MX
1/2	3600	48	E101432.00	√	386	A4K34DR2	23	115/208-230	Auto.	2.2	1.00	11.39	S, MX, 53
1/2	1800	S56	100015.00	√	505	C4C17DJ6	21	115/208-230	None	4.4	1.25	10.81	S, MX
1/2	1800	S56	E100015.00	√	495	C4K17DJ10	22	115/208-230	None	2.3	1.25	11.47	S, MX, 53
1/2	1800	S56	100045.00	√	592	M4C17DJ17	20	115/208-230	Man.	4.4	1.00	10.81	S, MX
1/2	1800	S56	E100045.00	√	475	M4K17DJ13	24	115/208-230	Man.	2.3	1.00	12.31	S, MX, 53
1/2	1800	S56	101611.00	√	585	A4C17DJ57	22	115/208-230	Auto.	4.4	1.25	10.81	S, MX, 32
1/2	1800	S56	E101611.00	√	524	A4K17DJ14	25	115/208-230	Auto.	2.3	1.25	12.31	S, MX, 32, 53
1/2	1800	S56	100011.00	√	595	A4C17DJ3	22	115/208-230	Auto.	4.4	1.25	10.81	S, MX
1/2	1800	S56	E100011.00	√	524	A4K17DJ13	25	115/208-230	Auto.	2.3	1.25	12.31	S, MX, 53
1/2	1800	S56	100064.00	√	595	A4C17DJ10	20	115/208-230	Auto.	4.4	1.00	10.81	S, MX
1/2	1800	S56	E100064.00	√	477	A4K17DJ79	24	115/208-230	Auto.	2.3	1.00	12.31	S, MX, 53

Green items are Premium Efficient
 "E" prefix items comply with SMR 2015

D-Item to be discontinued once inventory is depleted

Continued on next page

♥ Note listing on inside back flap
 Specifications are subject to change without notice

Drip-Proof – Single Phase – Resilient Base

HP	SYN RPM 60 Hz	NEMA Frame	Catalog Number	Stock	List Price	Model Number	App. Wgt. (lbs)	Voltage	Over-load Prot.	F. L. Amps @ 230 V	Service Factor	"C" Dim. (Inches)	♥ Notes
3/4	3600	48	101433.00	√	453	A4C34DR9	22	115/208-230	Auto.	4.8	1.00	10.39	S, MX
3/4	3600	48	E101433.00	√	562	A4K34DR3	25	115/230	Auto.	3.6	1.00	11.89	S, MX, 53
3/4	3600	S56H	100603.00	√	483	A4C34DJ7	26	115/208-230	Auto.	4.9	1.25	11.31	S, MX
3/4	3600	S56H	E100603.00	√	573	A4K34DJ1	28	115/230	Auto.	3.6	1.25	12.31	S, MX, 53
3/4	1800	S56H	100016.00	√	604	C6K17DJ7	26	115/230	None	5.4	1.25	11.81	S, MX, 53
3/4	1800	56H	E119362.00	√	683	C6K17DR44	27	115/230	None	3.3	1.25	13.21	S, MX, 53
3/4	1800	S56H	100046.00	√	649	M4C17DJ18	26	115/208-230	Man.	5.4	1.25	11.81	S, MX
3/4	1800	56	E119858.00	√	699	M6K17DR1	29	115/208-230	Man.	3.2	1.25	11.81	S, MX, 53
3/4	1800	S56H	100047.00	√	543	M4C17DJ19	25	115/208-230	Man.	5.5	1.00	11.81	S, MX
3/4	1800	56	E119859.00	√	681	56B17DRS70006A3	27	115/208-230	Man.	3.2	1.00	11.81	S, MX, 53
3/4	1800	S56H	101839.00	√	649	A4C17DJ67	28	115/208-230	Auto.	5.4	1.25	11.81	S, MX, 32
3/4	1800	56	E119864.00	√	695	56B17DRS70003A3	25	115/208-230	Auto.	3.2	1.25	11.81	S, MX, 53
3/4	1800	S56H	100012.00	√	649	A4C17DJ4	26	115/208-230	Auto.	5.4	1.25	11.81	S, MX
3/4	1800	56	E119856.00	√	704	56B17DRS70004A3	29	115/208-230	Auto.	3.2	1.25	11.81	S, MX, 53
3/4	1800	S56H	100065.00	√	538	A4C17DJ11	25	115/208-230	Auto.	5.5	1.00	11.81	S, MX
3/4	1800	56	E119860.00	√	668	56B17DRS70005A3	27	115/208-230	Auto.	3.2	1.00	11.81	S, MX, 53
1	3600	56H	110478.00	√	557	A6C34DR6	28	115/208-230	Auto.	6.0	1.25	11.85	S, US
1	3600	56H	E110478.00	√	609	A6K34DR6	31	115/230	Auto.	3.9	1.25	12.82	S, US, 53
1	1800	56H	113027.00	√	657	C6K17DR37	31	115/230	None	4.2	1.15	12.88	S, US, 53
1	1800	56H	E113027.00	√	736	C6K17DR43	31	115/230	None	4.2	1.15	12.88	S, US, 53
1	1800	56H	110007.00	√	703	A6C17DR1	29	115/208-230	Auto.	6.4	1.15	11.81	S, US
1	1800	56	E110007.00	√	774	A6K17DR50	32	115/230	Auto.	4.2	1.15	12.82	S, US, 53
1	1800	56H	110054.00	√	687	A6C17DR2	32	115/208-230	Auto.	6.4	1.00	11.81	S, US
1	1800	56H	E110054.00	√	751	A6K17DR49	35	115/230	Auto.	4.5	1.00	12.82	S, US, 53
1 1/2	3600	56H	110479.00	√	717	A6C34DR7	30	115/208-230	Auto.	8.2	1.15	11.82	S, US
1 1/2	3600	56H	E110479.00	√	821	A6K34DR7	33	115/230	Auto.	7.1	1.15	13.32	S, US, 53
1 1/2	1800	56H	110579.00	√	850	A6K17DR6	38	115/208-230	Auto.	7.2	1.15	12.82	S, US, 6
1 1/2	1800	56H	E110579.00	√	896	U6K17DR48	41	115/230	Auto.	6.5	1.15	13.82	S, US, 53
2	3600	56H	113633.00	√	898	U6C34DR21	38	115/208-230	Auto.	10.0	1.15	13.82	S, US
2	3600	56H	E113633.00	√	952	U6K34DR8	41	115/230	Auto.	8.0	1.15	12.82	S, US, 53
2	1800	56H	113608.00	√	906	A6K17DR28	45	115/208-230	Auto.	10.0	1.15	13.81	S, US, 6
2	1800	56H	E113608.00	√	978	56B17DRS70010A3	45	115/208-230	Auto.	9.2	1.15	13.82	S, US, 6, 53

Green items are Premium Efficient
 "E" prefix items comply with SMR 2015

D-Item to be discontinued once inventory is depleted

♥ Note listing on inside back flap
 Specifications are subject to change without notice

Single Phase TEFC Motors

Standard and Premium Efficiency –

General Purpose – 115/208-230 Volt

Rigid Mount – 1/12 HP – 15 HP – 42 through 215T frame

Resilient Mount – 1/2 HP – 1 HP – 56 frame

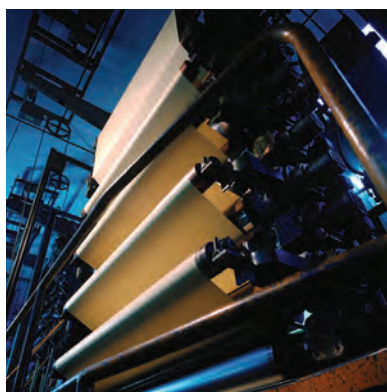
C Face Motors - 1/6 HP - 10 HP - 48C through 215TC



- Durable rolled steel construction
- NEMA® Design B performance
- Meets or exceed NEMA service factors
- Double shielded ball bearings
- Continuous duty
- Thermally protected ratings
- 1-year warranty on general purpose motors
- 3-year warranty on premium efficient motors
- UL recognized component listing and CSA certified

Applications:

For use where exposure to water, dust and dirt exists. Ideally suited for use on pumps, compressors, fans, conveyors and other industrial equipment.



Single Phase TEFC Motors

Capacitor Start – General Purpose

Tech Information

Single Phase – TEFC – Rigid Base

HP	SYN RPM 60 Hz	NEMA Frame	▼Catalog Number	Stock	List Price	Model Number	App. Wgt. (lbs)	Voltage	Over-load Prot.	F. L. Amps @ 230 V	Service Factor	"C" Dim. (Inches)	♥Notes
1/12	1800	42	092111.00	√	349	C42C17FB3	14	115/208-230	None	1.1	1.15	8.94	S, US
1/8	1800	42	092114.00	√	361	C42C17FB2	16	115/208-230	None	1.6	1.15	9.44	S, US
1/6	1800	42	092116.00	√	396	C42C17FB1	17	115/208-230	None	2.1	1.15	9.44	S, US
1/6	1800	48	102012.00	√	393	C4C17FB23	17	115/208-230	None	2.0	1.15	9.06	S, MX
1/6	1200	48	102013.00	√	557	C4C11FB3	23	115/208-230	None	1.9	1.15	10.31	S, MX
1/4	3600	42	092112.00	√	401	C42C34FB3	19	115/208-230	None	2.1	1.15	9.94	S, US
1/4	1800	48	102014.00	√	386	C4C17FB21	20	115/208-230	None	2.7	1.15	9.06	S, MX
1/4	1800	48	101446.00	√	444	M4C17FB10	18	115/208-230	Man.	2.7	1.15	9.06	S, MX
1/4	1800	S56	LM24606	C/A	524	SRF4S0.25T1C6028	18	115/208-230	None	2.1	1.15	10.22	S, MX
1/4	1200	48	102015.00	√	593	C4C11FB4	23	115/208-230	None	3.2	1.15	11.31	S, MX
1/4	1200	56	114617.00	√	625	C6C11FB7	30	115/208-230	None	2.8	1.15	11.81	S, US
1/3	3600	48	102016.00	√	368	C4C34FB10	21	115/208-230	None	2.8	1.15	9.06	S, MX
1/3	1800	48	100955.00	√	427	C4C17FB3	19	115/208-230	None	3.3	1.15	9.56	S, MX
1/3	1800	48	102018.00	√	489	M4C17FB22	20	115/208-230	Man.	3.3	1.15	9.56	S, MX
1/3	1800	S56	102931.00	√	425	C4C17FH31	23	115/208-230	None	3.1	1.15	10.44	S, MX
1/3	1800	56	LM24597	√	448	SRF4S0.33T1C6028	19	115/208-230	None	3.1	1.15	10.44	S, MX
1/3	1800	S56	102933.00	√	485	M4C17FH33	23	115/208-230	Man.	3.1	1.15	10.44	S, MX
1/3	1800	S56	LM24602	C/A	512	SRF3S0.33T1C6028TP1	20	115/208-230	Man.	3.0	1.15	10.47	S, MX
1/3	1800	S56	102932.00	√	502	A4C17FH32	23	115/208-230	Auto.	3.1	1.15	10.44	S, MX
1/3	1800	56	113765.00	√	589	M6K17FB33	27	115/208-230	Man.	1.7	1.15	10.81	S, US, 53
1/3	1200	48	102019.00	√	654	C4C11FB5	28	115/208-230	None	3.1	1.00	11.56	S, MX
1/3	1200	56	110009.00	√	654	C6C11FB1	34	115/208-230	None	3.6	1.00	12.31	S, US
1/3	1200	56	LM24546	√	686	SRF6S0.33T1C6028	28	115/208-230	None	3.9	1.15	12.32	S, MX
1/2	3600	48	102020.00	√	420	C4C34FB9	27	115/208-230	None	3.5	1.15	9.31	S, MX
1/2	3600	S56	102905.00	√	418	C4C34FH8	22	115/208-230	None	3.5	1.15	9.94	S, MX
1/2	3600	56	LM24706	C/A	440	SRF2S0.5T1C6028	23	115/208-230	None	4.2	1.15	11.82	S, MX
1/2	3600	S56	102904.00	√	448	M4C34FH7	25	115/208-230	Man.	3.5	1.15	9.94	S, MX
1/2	3600	56	LM24743	√	471	SRF2S0.5T1C6028TP1	23	115/208-230	Man.	4.2	1.15	11.82	S, MX
1/2	1800	48	100956.00	√	489	C4C17FB4	22	115/208-230	None	4.0	1.15	10.31	S, MX
1/2	1800	S56	102906.00	√	485	C4C17FH28	22	115/208-230	None	4.0	1.15	10.69	S, MX
1/2	1800	S56	LM24627	√	512	SRF4S0.5T1C6028	24	115/208-230	None	4.0	1.15	11.22	S, MX
1/2	1800	S56	102909.00	√	569	M4C17FH30	22	115/208-230	Man.	4.0	1.15	10.69	S, MX
1/2	1800	S56	LM24604	C/A	601	SRF2S0.5T1C6028TP1	24	115/208-230	Man.	4.0	1.15	11.22	S, MX
1/2	1800	S56	102908.00	√	582	A4C17FH29	25	115/208-230	Auto.	4.0	1.15	10.69	S, MX
1/2	1800	56	113766.00	√	654	M6K17FB34	30	115/208-230	Man.	2.5	1.15	11.31	S, US, 53
1/2	1200	56	110011.00	√	931	C6C11FB2	38	115/208-230	None	4.9	1.00	12.81	S, US

Continued on next page

Green items are Premium Efficient

▼ LM Numbers are Lincoln Models
C/A - Check Availability

♥ Note listing on inside back flap
Specifications are subject to change without notice

Single Phase
ODP Motors

Single Phase
TEFC Motors

Three Phase
ODP Motors

Three Phase
TEFC Motors

Inverter Duty
Motors

Severe Duty
Motors

Explosion Proof
Motors

Automotive
Duty Motors



Single Phase TEFC Motors

Capacitor Start – General Purpose

Single Phase - TEFC - Rigid Base

HP	SYN RPM 60 Hz	NEMA Frame	▼ Catalog Number	Stock	List Price	Model Number	App. Wgt. (lbs)	Voltage	Over-load Prot.	F. L. Amps @ 230 V	Service Factor	"C" Dim. (Inches)	♥Notes
3/4	3600	56	110276.00	√	471	C6C34FB15	26	115/208-230	None	5.0	1.15	11.31	S, US
3/4	3600	56	110108.00	√	501	M6C34FB7	26	115/208-230	Man.	5.0	1.15	11.31	S, US
3/4	3600	56	LM24744	√	520	SRF2S0.75T1C6028TP1	26	115/208-230	Man.	5.3	1.15	12.32	S, MX
3/4	1800	56	110013.00	√	582	C6C17FB2	29	115/208-230	None	5.4	1.15	11.31	S, US
3/4	1800	56	LM24607	C/A	608	SRF4S0.75T1C6028	30	115/208-230	None	5.5	1.15	12.32	S, MX
3/4	1800	56	110022.00	√	680	M6C17FB7	29	115/208-230	Man.	5.4	1.15	11.31	S, US
3/4	1800	56	110017.00	√	710	A6C17FB4	26	115/208-230	Auto.	5.4	1.15	11.31	S, US
3/4	1800	56	113767.00	√	772	M6K17FB35	35	115/208-230	Man.	3.2	1.15	11.81	S, US, 53
3/4	1200	56H	110400.00	√	1,077	C6K11FB1	43	115/208-230	None	5.3	1.00	13.31	S, US, 53
3/4	1200	56	LM24497	√	1,128	SRF6S0.75T1B6028	41	115/208-230	None	5.7	1.15	13.82	S, MX, 53
1	3600	56	110059.00	√	548	C6C34FB5	28	115/208-230	None	6.0	1.15	11.81	S, US
1	3600	56	110142.00	√	612	M6C34FB2	28	115/208-230	Man.	6.0	1.15	11.81	S, US
1	3600	56	LM24745	√	644	SRF2S1T1C6028TP1	31	115/208-230	Man.	6.2	1.15	12.32	S, MX
1	1800	56H	110209.00	√	668	C6C17FB17	30	115/208-230	None	7.0	1.15	11.81	S, US
1	1800	56	LM24610	√	701	SRF4S1T1C6028	32	115/208-230	None	6.7	1.15	12.82	S, MX
1	1800	56	110023.00	√	769	M6C17FB8	29	115/208-230	Man.	6.4	1.15	11.81	S, US
1	1800	56	110018.00	√	795	A6C17FB5	29	115/208-230	Auto.	6.4	1.15	12.31	S, US
1	1800	56	113768.00	√	885	M6K17FB36	37	115/208-230	Man.	4.2	1.15	12.31	S, US, 53
1	1800	143T	120025.00	√	736	C143C17FB3	34	115/208-230	None	6.4	1.15	12.75	S, US
1	1800	143T	LM24709	C/A	771	SSF4S1T1C6028	34	115/208-230	None	6.7	1.15	12.87	S, MX
1	1800	143T	120008.00	√	769	M143C17FB2	31	115/208-230	Man.	6.4	1.15	12.75	S, US
1	1200	145T	120043.00	√	1,234	C145K11FB1	49	115/208-230	None	6.7	1.00	14.25	S, US, 53
1 1/2	3600	56	110094.00	√	719	C6C34FB6	32	115/208-230	None	8.5	1.00	12.31	S, US
1 1/2	3600	56H	LM24531	√	751	SRF2S1.5T1B6028	35	115/208-230	None	7.1	1.15	12.82	S, MX, 53
1 1/2	3600	56	110109.00	√	842	M6C34FB8	31	115/208-230	Man.	8.5	1.00	12.31	S, US
1 1/2	3600	56H	LM24532	√	880	SRF2S1.51B6028TP1	35	115/208-230	Man.	7.1	1.15	12.82	S, MX, 53
1 1/2	3600	143T	120130.00	√	719	C143C34FB1	36	115/208-230	None	8.5	1.00	13.25	S, US
1 1/2	3600	143T	LM24710	C/A	751	SRF4S1.5T1B6028	39	115/208-230	None	7.1	1.15	12.87	S, MX, 53
1 1/2	1800	56H	110253.00	√	759	C6K17FB9	38	115/208-230	None	8.6	1.00	12.81	S, US, 53
1 1/2	1800	56H	LM24513	√	793	SSF4S1.5T1B6028	41	115/208-230	None	7.6	1.15	13.82	S, MX, 53
1 1/2	1800	56H	113333.00	√	871	M6K17FB32	38	115/208-230	Man.	8.6	1.00	12.81	S, US, 53
1 1/2	1800	56H	LM24515	C/A	911	SRF3S1.5T1B6028TP1	41	115/208-230	Man.	7.6	1.15	13.82	S, MX, 53
1 1/2	1800	56H	110019.00	√	944	U6K17FB1	38	115/208-230	Auto.	8.6	1.00	12.81	S, US, 53
1 1/2	1800	56H	113769.00	√	1,006	M6K17FB37	43	115/208-230	Man.	6.5	1.15	13.31	S, US, 53
1 1/2	1800	145T	120026.00	√	759	C145K17FB3	44	115/208-230	None	8.6	1.00	13.25	S, US, 53
1 1/2	1800	145T	LM24711	C/A	793	SSF4S1.5T1B6028	42	115/208-230	None	7.6	1.15	13.87	S, MX, 53
1 1/2	1800	145T	120009.00	√	871	M145K17FB2	42	115/208-230	Man.	8.6	1.00	13.25	S, US, 53
1 1/2	1800	145T	LM24746	C/A	911	SSF4S1.5T1B6028TP1	43	115/208-230	Man.	7.6	1.15	13.87	S, MX, 53
1 1/2	1200	184T	131526.00	√	2,001	C184C11FB2	69	115/208-230	None	11.0	1.00	15.46	S, MX

Continued on next page

Green items are Premium Efficient

▼ LM Numbers are Lincoln Models
C/A - Check Availability

♥ Note listing on inside back flap
Specifications are subject to change without notice



Single Phase TEFC Motors

Capacitor Start – General Purpose

Tech Information

Single Phase
ODP Motors

Single Phase
TEFC Motors

Three Phase
ODP Motors

Three Phase
TEFC Motors

Inverter Duty
Motors

Severe Duty
Motors

Explosion Proof
Motors

Automotive
Duty Motors

Single Phase - TEFC - Rigid Base

HP	SYN RPM 60 Hz	NEMA Frame	▼ Catalog Number	Stock	List Price	Model Number	App. Wgt. (lbs)	Voltage	Over-load Prot.	F. L. Amps @ 230 V	Service Factor	"C" Dim. (Inches)	♥Notes
2	3600	56H	110352.00	✓	938	C6C34FB21	41	115/208-230	None	10.0	1.00	13.31	S, US
2	3600	56H	110402.00	✓	982	P6C34FB23	41	115/208-230	Man.	10.0	1.00	13.31	S, US
2	3600	145T	120036.00	✓	944	C145C34FB1	42	115/208-230	None	10.0	1.00	13.75	S, US
2	3600	145T	LM24712	C/A	980	SRF2ST1B6028	54	115/208-230	None	9.0	1.15	13.37	S, MX, 53
2	3600	145T	120395.00	✓	993	P145C34FB5	44	115/208-230	Man.	10.0	1.00	13.75	S, US
2	1800	56HZ	113770.00	✓	1,384	M6K17FB38	49	230	Man.	8.2	1.15	14.25	S, US ,3, 53
2	1800	145T	121507.00	✓	1,239	C145K17FB24	48	115/208-230	None	9.2	1.15	13.75	S, US, 53
2	1800	145T	120867.00	✓	1,249	P145K17FB22	48	115/208-230	Man.	9.2	1.00	13.75	S, US, 53
2	1800	182T	131509.00	✓	1,087	C182C17FB11	65	115/208-230	None	12.4	1.00	14.46	S, MX
2	1800	182T	LM24713	✓	1,124	SS18F4S21B028	54	115/208-230	None	12.4	1.15	14.46	S, MX, 53
2	1200	215T	140747.00	C/A	2,966	C215K11FB3	118	115/208-230	None	11.2	1.15	18.71	S, MX, 53
3	3600	56H	116705.00	✓	1,024	P6K34FB31	53	230	Man.	14.0	1.00	13.81	S, US, 53
3	3600	145T	120341.00	✓	1,019	C145K34FB3	46	230	None	13.0	1.00	14.25	S, US, 53
3	3600	145T	LM24714	✓	1,056	SS14F2S3T1B6008	48	208-230	None	11.8	1.15	14.87	S, MX, 53
3	3600	182T	131637.00	✓	1,122	C182K34FB2	78	115/208-230	None	13.4	1.15	14.96	S, MX, 53
3	1800	184T	131533.00	✓	1,282	C184C17FB12	83	115/208-230	None	16.8	1.00	16.46	S, MX
3	1800	184T	LM24716	C/A	1,314	SS184F4S3T1C6028	99	115/208-230	None	16.8	1.00	16.46	S, MX
3	1800	184T	131855.00	✓	1,384	P184K17FB26	88	208-230	Man.	13.6	1.15	14.96	S, MX, 53
5	3600	184T	131549.00	✓	1,550	C184K34FB6	93	230	None	19.8	1.15	16.96	S, MX, 53
5	3600	184T	132042.00	✓	1,730	P184K34FB9	103	230	Man.	19.8	1.15	16.97	S, MX, 53
5	1800	184T	131538.00	✓	1,559	C184K17FB15	95	230	None	23.0	1.00	17.46	S, MX, 53
5	1800	184T	LM24718	C/A	1,568	SSF4S5T1B6008	98	230	None	21.7	1.00	17.46	S, MX, 53
5	1800	184T	131856.00	✓	1,609	P184K17FB25	95	208-230	Man.	21.0	1.00	15.96	S, MX, 53
7 1/2	3600	213T	140684.00	✓	1,992	C213K34FB1	120	208-230	None	32.0	1.00	18.34	S, MX, 53
7 1/2	3600	213T	LM24719	✓	2,147	DDF2S751B6008	120	208-230	None	32.0	1.00	18.73	S, MX, 53
7 1/2	1800	215T	140120.00	✓	2,022	N215K17FB1	169	230	None	33.6	1.15	20.21	S, MX, 53
7 1/2	1800	215T	LM24720	✓	2,072	SS215F4S75T1B6008	133	208-230	None	30.0	1.00	21.09	S, MX, 53
10	3600	215T	140685.00	✓	2,445	C215K34FB1	138	208-230	None	41.5	1.00	19.84	S, MX, 53
10	3600	215T	LM24721	✓	2,634	SSF2S10T1B6008	138	208-230	None	41.5	1.00	20.23	S, MX, 53
10	1800	215T	140581.00	✓	2,320	C215K17FB12	202	230	None	40.0	1.15	20.71	S, MX, 53
10	1800	215T	LM24722	✓	2,689	SSF4S10T1B66	155	230	None	41.5	1.00	21.09	S, MX, 53
15	1800	256TZ	851150.00	✓	3,219	C256K17FB1	309	208-230	None	58.0	1.00	28.65	S, MX

Green items are Premium Efficient

▼ LM Numbers are Lincoln Models
C/A - Check Availability

♥ Note listing on inside back flap
Specifications are subject to change without notice



Single Phase - C Face Motors

Totally Enclosed - Capacitor Start - General Purpose

Single Phase - Totally Enclosed - C Face Less Base

HP	SYN RPM 60 Hz	NEMA Frame	▼ Catalog Number	Stock	List Price	Model Number	App. Wgt. (lbs)	Voltage	Over-load Prot.	F. L. Amps @ 230 V	Service Factor	"C" Dim. (Inches)	♥Notes
1/6	1800	48CZ	102661.00	√	386	C4C17FC25	14	115/208-230	None	2.0	1.15	9.19	S, MX, 25
1/4	1800	48CZ	101765.00	√	440	C4C17FC10	18	115/208-230	None	2.7	1.15	9.19	S, MX, 25
1/4	1800	S56C	102868.00	√	438	C4C17NC26	22	115/208-230	None	2.3	1.15	9.80	S, MX, 25
1/4	1800	S56C	LM24733	√	418	SRN4S0.25TLCN1C6028	18	115/208-230	None	2.1	1.00	9.94	S, MX, 12
1/4	1800	S56C	102866.00	√	438	C4C17FC34	18	115/208-230	None	2.7	1.15	9.44	S, MX
1/3	3600	S56C	102870.00	√	375	C4C34FC13	20	115/208-230	None	2.8	1.15	9.44	S, MX
1/3	3600	S56C	102873.00	√	375	C4C34NC15	24	115/208-230	None	1.9	1.00	9.30	S, MX
1/3	3600	S56C	LM24734	√	416	SRN2S0.33TLCN1C6028	20	115/208-230	None	2.2	1.15	10.19	S, MX
1/3	1800	48CZ	102663.00	√	454	C4C17FC26	19	115/208-230	None	3.3	1.15	9.69	S, MX
1/3	1800	S56C	101766.00	√	474	C4C17FC9	22	115/208-230	None	3.3	1.15	9.94	S, MX, 25
1/3	1800	S56C	102867.00	√	471	C4C17NC25	23	115/208-230	None	2.6	1.15	10.30	S, MX
1/3	1800	S56C	LM24598	√	454	SRF4S0.33TLCN1C6028	19	115/208-230	None	3.9	1.15	12.32	S, MX, 12
1/3	1800	S56C	102869.00	√	495	M4C17NC27	25	115/208-230	Man.	2.6	1.15	10.30	S, MX
1/3	1200	56C	LM24735	C/A	695	SRF6S0.33TLCN1C6028	28	115/208-230	None	3.9	1.15	12.32	S, MX, 12
1/2	3600	S56C	102864.00	√	422	C4C34FC12	22	115/208-230	None	3.5	1.15	9.94	S, MX
1/2	3600	56C	LM24736	C/A	474	SRF2S0.5TLCN1C6028	23	115/208-230	None	4.2	1.15	11.82	S, MX
1/2	3600	S56C	102872.00	√	449	M4C34FC14	25	115/208-230	Man.	3.5	1.15	9.94	S, MX
1/2	1800	48CZ	102665.00	C/A	529	C4C17FC27	22	115/208-230	None	4.0	1.00	10.44	S, MX
1/2	1800	S56C	102862.00	√	543	C4C17FC32	21	115/208-230	None	4.0	1.15	10.69	S, MX, 25
1/2	1800	56C	LM24599	√	540	SRF4S0.5TLCN1C6028	24	115/208-230	None	4.4	1.15	11.19	S, MX
1/2	1800	S56C	102865.00	√	575	M4C17FC33	22	115/208-230	Man.	4.0	1.15	10.69	S, MX
1/2	1800	S56C	102871.00	√	567	A4C17FC35	24	115/208-230	Auto.	4.0	1.15	10.69	S, MX
1/2	1200	56C	110411.00	√	957	C6C11FC1	37	115/208-230	None	4.9	1.00	12.81	S, MX
3/4	3600	56C	110413.00	√	495	C6C34FC8	26	115/208-230	None	5.0	1.15	11.31	S, US
3/4	3600	56C	LM24738	C/A	495	SRF2S0.75TLCN1C5028	30	115/208-230	None	5.3	1.15	12.32	S, US
3/4	3600	56C	110412.00	√	515	M6C34FC7	28	115/208-230	Man.	5.0	1.15	11.31	S, MX
3/4	1800	56C	110057.00	√	646	C6C17FC6	25	115/208-230	None	5.4	1.15	11.31	S, US
3/4	1800	56C	LM24613	√	576	SRF4S0.75TLCN1C6028	30	115/208-230	None	5.5	1.15	12.32	S, US
3/4	1800	56C	110040.00	√	681	M6C17FC2	26	115/208-230	Man.	5.4	1.15	11.31	S, MX
3/4	1800	56C	110308.00	√	671	A6C17FC8	28	115/208-230	Auto.	5.4	1.15	11.31	S, US
3/4	1200	56C	110414.00	√	1,077	C6K11FC2	42	115/208-230	None	5.3	1.00	13.31	S, US
3/4	1200	56C	LM24739	C/A	783	SRF60.75TLCN1B6028	41	115/208-230	None	5.7	1.15	13.82	S, US, 53

Continued on next page

▼ LM Numbers are Lincoln Models
C/A - Check Availability

♥ Note listing on inside back flap
Specifications are subject to change without notice



Single Phase - C Face Motors

Totally Enclosed - Capacitor Start - General Purpose

Tech Information

Single Phase - Totally Enclosed - C Face Less Base

HP	SYN RPM 60 Hz	NEMA Frame	▼ Catalog Number	Stock	List Price	Model Number	App. Wgt. (lbs)	Voltage	Over-load Prot.	F. L. Amps @ 230 V	Service Factor	"C" Dim. (Inches)	♥ Notes
1	3600	56C	110416.00	√	580	C6C34FC10	28	115/208-230	None	6.0	1.15	11.81	S, US
1	3600	56C	LM24740	√	587	SRF2S1TLCN1C6028	31	115/208-230	None	6.2	1.15	12.32	S, MX
1	3600	56C	110415.00	√	636	M6C34FC9	28	115/208-230	Man.	6.0	1.15	11.81	S, US
1	1800	56C	110058.00	√	743	C6C17FC7	33	115/208-230	None	6.4	1.15	11.81	S, US
1	1800	56C	LM24614	√	615	SRF4S1TLCN1C6028	32	115/208-230	None	6.7	1.15	12.82	S, MX
1	1800	56C	110041.00	√	776	M6C17FC3	29	115/208-230	Man.	6.4	1.15	11.81	S, US
1	1800	143TC	121001.00	√	843	C143C17FC2	32	115/208-230	None	6.4	1.15	12.25	S, US
1 1/2	3600	56C	110419.00	√	745	C6C34FC12	31	115/208-230	None	8.5	1.00	12.31	S, US
1 1/2	3600	56C	LM24535	C/A	644	SRF2S1.5TLCN1B6028	35	115/208-230	None	7.1	1.15	12.82	S, MX, 53
1 1/2	3600	56C	110418.00	√	781	M6C34FC11	31	115/208-230	Man.	8.5	1.00	12.31	S, US
1 1/2	3600	143TC	120101.00	√	843	C143C34FC1	36	115/208-230	None	8.5	1.00	12.75	S, US
1 1/2	1800	56C	110420.00	√	838	C6K17FC2	37	115/208-230	None	8.6	1.00	12.81	S, US, 53
1 1/2	1800	56C	LM24622	√	652	SRF4S1.5TLCN1B6028	41	115/208-230	None	7.6	1.15	13.82	S, MX, 53
1 1/2	1800	56C	110042.00	√	873	M6K17FC1	40	115/208-230	Man.	8.6	1.00	12.81	S, US
1 1/2	1800	145TC	120017.00	√	954	C145K17FC3	40	115/208-230	None	8.6	1.00	13.75	S, US, 53
2	3600	56C	110422.00	√	948	C6C34FC14	40	115/208-230	None	10.0	1.00	13.31	S, US
2	3600	56C	LM24530	√	734	SRF2S2TLCNB6038	40	115/208-230	None	9.0	1.15	13.32	S, MX, 53
2	3600	56C	110421.00	√	982	P6C34FC13	41	115/208-230	Man.	10.0	1.00	13.31	S, US
2	3600	145TC	120102.00	√	983	C145C34FC2	43	115/208-230	None	10.0	1.00	13.75	S, US
2	1800	56C	112136.00	√	1,122	C6K17FC9	41	115/230	None	9.2	1.00	13.31	S, US, 53
2	1800	145TC	120060.00	√	1,147	P145K17FC2	45	115/230	Man.	10.0	1.00	14.25	S, US, 53
2	1800	182TC	131516.00	C/A	1,494	C182C17FC3	64	115/208-230	None	12.4	1.00	14.47	S, MX
3	3600	145TC	120824.00	√	1,101	P145K34FC6	56	230	Man.	13.0	1.00	14.25	S, US, 53
3	1800	184TC	131545.00	√	1,761	C184C17FC4	82	115/208-230	None	16.8	1.00	16.47	S, MX
5	3600	184TC	131778.00	√	1,767	C184K34FC2	81	230	None	19.8	1.15	16.97	S, MX, 53
5	1800	184TC	131540.00	√	1,833	C184K17FC6	104	230	None	23.0	1.00	17.47	S, MX, 53

▼ LM Numbers are Lincoln Models
C/A - Check Availability

♥ Note listing on inside back flap
Specifications are subject to change without notice

Single Phase
ODP Motors

Single Phase
TEFC Motors

Three Phase
ODP Motors

Three Phase
TEFC Motors

Inverter Duty
Motors

Severe Duty
Motors

Explosion Proof
Motors

Automotive
Duty Motors



Single Phase C Face Motors

Totally Enclosed - Capacitor Start - General Purpose



Single Phase - Totally Enclosed - C Face With Base

HP	SYN RPM 60 Hz	NEMA Frame	▼ Catalog Number	Stock	List Price	Model Number	App. Wgt. (lbs)	Voltage	Over- load Prot.	F. L. Amps @ 230 V	Service Factor	"C" Dim. (Inches)	♥Notes
1/4	1800	S56C	102916.00	√	447	C4C17FK4	22	115/208-230	None	2.7	1.15	9.69	S, MX
1/4	1800	S56C	LM24723	√	470	SRF4S0.25TLC6028	17	115/208-230	None	2.1	1.15	10.19	S, MX
1/3	3600	S56C	102929.00	√	444	C4C34FK16	22	115/208-230	None	2.8	1.15	9.69	S, MX
1/3	1800	S56C	102930.00	√	475	C4C17FK6	24	115/208-230	None	3.1	1.15	10.44	S, MX
1/3	1800	S56C	LM24600	√	496	SRF4S0.33TLC1C6028	23	115/208-230	None	3.0	1.15	10.44	S, MX
1/3	1800	S56C	103082.00	√	475	M4C17FK7	24	115/208-230	Man.	3.1	1.15	10.31	S, MX
1/3	1800	S56C	102910.00	√	475	C4C17NK2	25	115/208-230	None	2.6	1.15	10.31	S, MX
1/2	3600	S56C	102903.00	√	445	C4C34FK17	25	115/208-230	None	3.5	1.15	9.94	S, MX
1/2	3600	56C	LM24725	√	471	SRF2S0.5TLC1C6028	23	115/208-230	None	4.2	1.15	11.82	S, MX
1/2	1800	S56C	102907.00	√	571	C4C17FK5	22	115/208-230	None	4.0	1.15	10.69	S, MX
1/2	1800	S56C	LM24628	√	602	SRF4S0.5TLC6028	24	115/208-230	None	4.0	1.15	11.19	S, MX
1/2	1800	S56C	103085.00	√	571	M4C17FK8	22	115/208-230	Man.	4.0	1.15	10.69	S, MX
3/4	3600	56C	112135.00	√	508	C6C34FK36	26	115/208-230	None	5.0	1.15	11.31	S, US
3/4	3600	56C	LM24726	√	528	SRF2S0.75TLC1C6028	30	115/208-230	None	5.3	1.15	12.32	S, MX
3/4	1800	56C	110905.00	√	688	C6C17FK4	26	115/208-230	None	5.4	1.15	11.31	S, US
3/4	1800	56C	LM24615	C/A	722	SRF2S0.75TLC1C6028	30	115/208-230	None	5.5	1.15	12.32	S, MX
3/4	1800	56C	116922.00	√	688	M6C17FK86	26	115/208-230	Man.	5.4	1.15	11.31	S, US
1	3600	56C	110180.00	√	584	C6C34FK1	28	115/208-230	None	6.0	1.15	11.81	S, US
1	3600	56C	LM24727	√	609	SRF2S1TLC1C6028	32	115/208-230	None	6.2	1.15	12.32	S, MX
1	3600	56C	115877.00	√	584	M6C34FK78	28	115/208-230	Man.	6.0	1.15	11.81	S, US
1	1800	56C	110908.00	√	779	C6C17FK5	30	115/208-230	None	6.4	1.15	11.81	S, US
1	1800	56C	LM24616	√	815	SRF4S1TLC6028	35	115/208-230	None	6.7	1.15	12.82	S, MX
1	1800	56C	115879.00	√	779	M6C17FK80	32	115/208-230	Man.	6.4	1.15	11.81	S, US
1	1800	143TC	121680.00	√	779	C143C17FK1	32	115/208-230	None	6.4	1.15	12.25	S, US
1 1/2	3600	56C	110909.00	√	757	C6C34FK19	34	115/208-230	None	8.5	1.00	12.31	S, US
1 1/2	3600	56HC	LM24539	√	792	SRF2S1.5TLC1B6028	35	115/208-230	None	7.1	1.15	12.82	S, MX
1 1/2	3600	56C	115024.00	√	795	M6K34FK16	35	115/208-230	Man.	6.2	1.15	12.31	S, US
1 1/2	1800	56HC	110910.00	√	926	C6K17FK2	39	115/208-230	None	8.6	1.00	12.81	S, US
1 1/2	1800	56HC	LM24728	√	964	SRF2S1.5TLC1B6028	41	115/208-230	None	7.6	1.15	13.82	S, MX
1 1/2	1800	56HC	116703.00	√	931	M6K17FK50	42	115/208-230	Man.	8.6	1.15	12.81	S, US
1 1/2	1800	145TC	121681.00	√	926	C145K17FK13	40	115/208-230	None	8.6	1.00	13.75	S, US

Continued on next page

▼ LM Numbers are Lincoln Models
C/A - Check Availability

♥ Note listing on inside back flap
Specifications are subject to change without notice

Single Phase C Face Motors

Totally Enclosed - Capacitor Start - General Purpose

Tech Information

Single Phase
ODP Motors

Single Phase
TEFC Motors

Three Phase
ODP Motors

Three Phase
TEFC Motors

Inverter Duty
Motors

Severe Duty
Motors

Explosion Proof
Motors

Automotive
Duty Motors

Single Phase - Totally Enclosed - C Face With Base

HP	SYN RPM 60 Hz	NEMA Frame	▼ Catalog Number	Stock	List Price	Model Number	App. Wgt. (lbs)	Voltage	Over-load Prot.	F. L. Amps @ 230 V	Service Factor	"C" Dim. (Inches)	♥Notes
2	3600	56HC	113931.00	√	992	C6C34FK52	46	115/208-230	None	10.0	1.00	13.31	S, US
2	3600	56HC	LM24729	√	1,038	SRF2S2TLC1B6028	40	115/208-230	None	9.0	1.15	13.32	S, MX, 53
2	3600	56HC	114995.00	√	945	P6K34FK15	42	115/230	Man.	9.2	1.15	13.31	S, US, 53
2	3600	56HC	115878.00	C/A	992	P6C34FK79	43	115/208-230	Man.	10.0	1.00	13.31	S, US
2	3600	145TC	121008.00	√	992	C145C34FK2	43	115/208-230	None	10.0	1.00	13.75	S, US
2	1800	145TC	120274.00	√	1,249	C145K17FK2	49	115/208-230	None	9.2	1.00	14.25	S, US, 53
2	1800	145TC	LM24731	C/A	1,308	SSF4S2TLC1B6028	52	115/230	None	9.5	1.15	14.87	S, MX, 53
2	1800	145TC	121465.00	√	1,249	P145K17FK10	44	115/208-230	Man.	9.2	1.00	13.75	S, US, 53
3	3600	145TC	121825.00	√	1,047	C145K34FK9	47	230	None	13.0	1.00	14.43	S, US, 53
3	3600	56HC	115048.00	√	1,034	P6K34FK17	53	208-230	Man.	14.0	1.00	13.31	S, US, 53
3	3600	145TC	121060.00	√	1,111	P145K34FK4	51	230	Man.	13.0	1.00	14.25	S, US, 53
3	1800	184TC	131631.00	√	1,765	P184C17FK9	84	115/208-230	Man.	16.8	1.00	16.47	S, MX
3	1800	184TC	131857.00	√	1,765	P184K17FK14	104	230	Man.	13.7	1.15	17.61	S, MX, 53
5	3600	184TC	131632.00	√	1,773	P184K34FK2	103	230	Man.	19.8	1.15	16.97	S, MX, 53
5	1800	184TC	131633.00	√	1,847	P184K17FK11	86	230	Man.	23.0	1.00	16.97	S, MX, 53
7 1/2	3600	213TC	140694.00	√	2,082	C213K34FK1	120	208-230	None	32.0	1.00	19.07	S, MX, 53
7 1/2	1800	215TC	140807.00	√	2,126	C215K17FK6	171	230	None	33.6	1.15	20.21	S, MX, 53
10	3600	215TC	140695.00	√	2,483	C215K34FK1	138	208-230	None	41.5	1.00	20.57	S, MX, 53
10	1800	215TC	140678.00	√	2,406	C215K17FK4	152	230	None	40.0	1.15	20.71	S, MX, 53

▼ LM Numbers are Lincoln Models
C/A - Check Availability

♥ Note listing on inside back flap
Specifications are subject to change without notice



Single Phase TEFC Motors

WATSAVER® Premium Efficiency Motors

Features:

- High starting torque
- Capacitor start / capacitor run designs for higher efficiency
- Reduced running amps
- Energy saving designs



Single Phase - TEFC - Rigid Base

HP	SYN RPM 60 Hz	NEMA Frame	Catalog Number	Stock	List Price	Model Number	App. Wgt. (lbs)	Voltage	Over-load Prot.	F. L. Amps @ 230 V	Service Factor	% F.L.Eff.	"C" Dim. (Inches)	♥Notes
1/3	1800	56	113765.00	√	589	M6K17FB33	27	115/208-230	Man.	1.7	1.15	76	10.81	S, US
1/2	1800	56	113766.00	√	654	M6K17FB34	30	115/208-230	Man.	2.5	1.15	78	11.31	S, US
3/4	1800	56	113767.00	√	772	M6K17FB35	35	115/208-230	Man.	3.2	1.15	82	11.81	S, US
1	1800	56	113768.00	√	885	M6K17FB36	37	115/208-230	Man.	4.2	1.15	83	12.31	S, US
1	1800	56H	113769.00	√	1,006	M6K17FB37	43	115/208-230	Man.	6.5	1.15	84	13.31	S, US
2	1800	56HZ	113770.00	√	1,384	M6K17FB38	49	230	Man.	8.2	1.15	85	14.25	S, US

Green items are Premium Efficient

♥ Note listing on inside back flap
Specifications are subject to change without notice

Single Phase - TENV - General Purpose



Single Phase - TENV - Rigid Base

HP	SYN RPM 60 Hz	NEMA Frame	Catalog Number	Stock	List Price	Model Number	App. Wgt. (lbs)	Voltage	Over-load Prot.	F. L. Amps @ 230 V	Service Factor	"C" Dim. (Inches)	♥Notes
1/6	3600	42	092011.00	C/A	375	C42C34NB1	16	115/208-230	None	1.0	1.00	9.56	S, US
1/6	1800	42	092012.00	C/A	397	C42C17NB1	21	115/208-230	None	1.8	1.00	10.56	S, US
1/4	3600	42	092013.00	C/A	402	C42C34NB2	21	115/208-230	None	1.7	1.00	10.56	S, US
1/4	1800	48	100361.00	√	386	C4C17NB4	17	115/208-230	None	2.2	1.15	9.43	S, MX
1/4	1800	S56	102914.00	√	390	C4C17NH9	24	115/208-230	None	2.3	1.15	9.81	S, MX
1/4	1800	S56	102915.00	√	440	A4C17NH10	23	115/208-230	Auto.	2.3	1.15	9.81	S, MX
1/3	3600	48	100362.00	√	370	C4C34NB2	24	115/208-230	None	2.0	1.00	9.93	S, MX
1/3	1800	S56	102912.00	√	427	C4C17NH7	25	115/208-230	None	2.6	1.15	10.81	S, MX
1/3	1800	S56	102913.00	C/A	488	M4C17NH8	25	115/208-230	Man.	2.6	1.15	10.31	S, MX
1/3	1800	S56	102911.00	√	484	A4C17NH6	24	115/208-230	Auto.	2.6	1.15	10.31	S, MX
1/2	3600	48	100366.00	√	425	C4C34NB3	27	115/208-230	None	2.9	1.00	10.43	S, MX

C/A - Check Availability

♥ Note listing on inside back flap
Specifications are subject to change without notice

Single Phase TEFC Motors

Pressure Washer Pump Motors & Resilient Base Motors

Tech Information

Single Phase
ODP Motors

Single Phase
TEFC Motors

Three Phase
ODP Motors

Three Phase
TEFC Motors

Inverter Duty
Motors

Severe Duty
Motors

Explosion Proof
Motors

Automotive
Duty Motors

General Specifications:

Motors specially suited for hot or cold pressure washer applications and other single phase installations requiring minimum starting and running amperages.



Mechanical Features:

- Double shielded ball bearings
- Dynamically balanced rotors

Electrical Features:

- Windings dipped in heavy duty varnish system
- Capacitor start / capacitor run designs to reduce amp draw
- Manual reset overload protection

Single Phase - TEFC - Rigid Base

HP	SYN RPM 60 Hz	NEMA Frame	Catalog Number	Stock	List Price	Model Number	App. Wgt. (lbs)	Voltage	Over-load Prot.	F. L. Amps @ 230 V	Service Factor	"C" Dim. (Inches)	♥Notes
3/4	3600	56	110108.00	√	501	M6C34FB7	26	115/208-230	Man.	5.0	1.15	11.31	S, US
3/4	1800	56	110022.00	√	680	M6C17FB7	29	115/208-230	Man.	5.4	1.15	11.31	S, US
1	3600	56	110142.00	√	612	M6C34FB2	28	115/208-230	Man.	6.0	1.15	11.81	S, US
1	1800	56	110023.00	√	769	M6C17FB8	29	115/208-230	Man.	6.4	1.15	11.81	S, US
1	1800	143T	120008.00	√	769	M143C17FB2	31	115/208-230	Man.	6.4	1.15	12.75	S, US
1 1/2	3600	56	110109.00	√	842	M6C34FB8	31	115/208-230	Man.	8.5	1.00	12.31	S, US
1 1/2	1800	56H	113333.00	√	871	M6K17FB32	38	115/208-230	Man.	8.6	1.00	12.81	S, US, 6, 53
1 1/2	1800	145T	120009.00	√	871	M145K17FB2	42	115/208-230	Man.	8.6	1.00	13.25	S, US, 53
2	3600	56H	110402.00	√	982	P6C34FB23	41	115/208-230	Man.	10.0	1.00	13.31	S, US, 6, 53
2	3600	145T	120395.00	√	993	P145C34FB5	44	115/208-230	Man.	10.0	1.00	13.75	S, US
2	1800	145T	120867.00	√	1,249	P145K17FB22	48	115/208-230	Man.	9.2	1.00	13.75	S, US, 53
3	3600	56H	116705.00	√	1,024	P6K34FB31	53	230	Man.	14.0	1.00	13.81	S, US, 6, 53
3	1800	184T	131855.00	√	1,384	P184K17FB26	88	208-230	Man.	13.7	1.15	16.86	S, MX, 53
5	3600	184T	132042.00	√	1,730	P184K34FB9	103	230	Man.	19.8	1.15	16.97	S, MX, 53
5	1800	184T	131856.00	√	1,609	P184K17FB25	95	208-230	Man.	21.0	1.00	17.86	S, MX, 53

♥ Note listing on inside back flap
Specifications are subject to change without notice

Resilient Base Motors - Single Phase - General Purpose or Fan Duty

General Specifications:

- Industrial quality resilient base
- Moderate starting torque
- Belt driven fans or fan on shaft applications
- Capacitor start designs



Single Phase - TEFC - Resilient Base

HP	SYN RPM 60 Hz	NEMA Frame	Catalog Number	Stock	List Price	Model Number	App. Wgt. (lbs)	Voltage	Over-load Prot.	F. L. Amps @ 230 V	Service Factor	"C" Dim. (Inches)	♥Notes
1/2	1725	56	110025.00	√	594	A6C17FR1	26	115/208-230	Auto.	4.4	1.15	11.96	S, US
3/4	1725	56	110026.00	√	712	A6C17FR2	28	115/208-230	Auto.	5.4	1.15	12.46	S, US, 6
1	1725	56H	111915.00	√	809	A6C17FR10	31	115/208-230	Auto.	6.4	1.15	12.96	S, US, 6

♥ Note listing on inside back flap
Specifications are subject to change without notice



Single Phase - C Face Motors

Pressure Washer Pump Motors

Application Information:

Motors specially suited for hot or cold pressure washer applications and other single phase installations requiring minimum starting and running amperages.



Mechanical Features:

- Double shielded ball bearings
- Dynamically balanced rotors

Electrical Features:

- Windings dipped in heavy duty varnish system
- Capacitor start / capacitor run designs to reduce amp draw
- Manual reset overload protection
- High service factor

Single Phase - TEFC - C Face With Base

HP	SYN RPM 60 Hz	NEMA Frame	Catalog Number	Stock	List Price	Model Number	App. Wgt. (lbs)	Voltage	Over- load Prot.	F. L. Amps @ 230 V	Service Factor	"C" Dim. (Inches)	♥Notes
1/3	1800	56C	116485.00	C/A	695	M6C17FK81	29	115/208-230	Man.	3.2	1.15	10.81	S, US, 57
1/2	1800	56C	116486.00	√	798	M6C17FK80	23	115/208-230	Man.	4.4	1.15	10.81	S, US, 57
3/4	1800	56C	116487.00	√	927	M6C17FK79	30	115/208-230	Man.	5.4	1.15	11.31	S, US, 57
1	3600	56C	115877.00	√	584	M6C34FK78	28	115/208-230	Man.	6.0	1.15	11.81	S, US
1	1800	56C	115879.00	√	779	M6C17FK80	32	115/208-230	Man.	6.4	1.15	11.81	S, US
1 1/2	3600	56C	115024.00	√	795	M6K34FK16	35	115/208-230	Man.	6.2	1.15	12.31	S, US, 53
1 1/2	1800	56HC	116703.00	√	931	M6K17FK50	39	115/208-230	Man.	8.6	1.15	12.81	S, US, 53
2	3600	56HC	114995.00	√	945	P6K34FK15	42	115/208-230	Man.	9.2	1.15	13.31	S, US, 53
2	1800	145TC	121465.00	√	1,249	P145K17FK10	44	115/208-230	Man.	9.2	1.00	13.75	S, US, 53
3	3600	56HC	115048.00	√	1,034	P6K34FK17	53	115/208-230	Man.	14.0	1.00	13.81	S, US, 53
3	1800	184TC	131857.00	√	1,765	P14K17FK14	104	208-230	Man.	13.7	1.15	17.61	S, MX, 53
5	3600	184TC	131632.00	√	1,773	P184K34FK2	106	208-230	Man.	19.8	1.15	16.97	S, MX, 53
5	1800	184TC	131633.00	√	1,847	P184K17FK11	107	208-230	Man.	23.0	1.00	16.97	S, MX, 53

C/A - Check Availability

♥ Note listing on inside back flap
Specifications are subject to change without notice

Single Phase C Face Motors Unit Handling Motors

Tech Information

Single Phase
ODP Motors

Single Phase
TEFC Motors

Three Phase
ODP Motors

Three Phase
TEFC Motors

Inverter Duty
Motors

Severe Duty
Motors

Explosion Proof
Motors

Automotive
Duty Motors

Applications Include:

Unit and baggage handling, conveyors, packaging equipment, machine tools, elevators and door openers where a conduit box at 12:00 position is needed due to mounting size restrictions



Features include:

- Low profile conduit box at the 12:00 position
- Base includes both 56H and 143-5T mounting holes and slots

Single Phase - TEFC - C Face With Base

HP	SYN RPM 60 Hz	Frame	Catalog Number	Stock	List Price	Model Number	App. Wgt. (lbs)	Voltage	F. L. Amps @ 230 V	Service Factor	"C" Dim. (Inches)	♥ Notes
1/2	1800	56C	117701.00	√	571	C6C17FK92	22	115/208-230	4.4	1.2	12.48	S, US
3/4	1800	56C	117702.00	√	620	C6C17FK94	26	115/208-230	5.4	1.2	12.98	S, US
1	1800	56C	117703.00	√	673	C6C17FK93	30	115/208-230	6.4	1.2	12.98	S, US

♥ Note listing on inside back flap
Specifications are subject to change without notice

Single Phase - TEFC - C Face Less Base

HP	SYN RPM 60 Hz	Frame	Catalog Number	Stock	List Price	Model Number	App. Wgt. (lbs)	Voltage	F. L. Amps @ 230 V	Service Factor	"C" Dim. (Inches)	♥ Notes
1/2	1800	56C	117704.00	√	548	C6C17FC175	21	115/208-230	4.4	1.2	10.98	S, US
3/4	1800	56C	117705.00	√	599	C6C17FC176	25	115/208-230	5.4	1.2	11.48	S, US
1	1800	56C	117706.00	√	644	C6C17FC177	29	115/208-230	6.4	1.2	11.48	S, US

♥ Note listing on inside back flap
Specifications are subject to change without notice

Three Phase - Cast Iron

150 & 170 Series - Rigid Base - General Purpose

**NEMA
Premium**

For reliable performance in heavy-duty industrial applications, nothing beats the LEESON® Heavyweights. With their cast iron construction and 1.15 Service Factor, they are ideal for “tough to handle” applications.

But that’s only part of the story. LEESON 150 and 170-series cast iron motors are extremely versatile and can be field converted in minutes to a number of different configurations, including:

- Severe Duty TEFC (using cast iron fan guard kit)
- F2 mounting 180 frame or larger (by re-assembly)
- C face with rigid base (from stock or using C face kit)
- D flange with base (using D flange kit)

UL recognized and CSA certified.

IRIS® Inverter Rated Insulation System from LEESON

provides superior motor protection against voltage spikes induced by variable frequency drives. This total insulation system protects better than spike-resistant magnet wire alone. Specially formed phase insulation, cushioned and sleeved connections (from the leads all the way into the turns), and deep-penetrating, non-hygroscopic, high temperature varnish are just a few features contributing to the extra protection. All this plus second generation, spike-resistant magnet wire. The IRIS total insulation system is standard at no extra cost in all LEESON stock NEMA three-phase motors, 1 HP and larger. The LEESON Ultimate E® “199” Series motors have our standard insulation system.



Stainless steel “full fact” nameplate with information on motor efficiency and power factor. Includes wiring diagram, bearing sizes, and motor weight.

Heavy-duty cast iron frame, endbells and conduit box.

High torques for hard-to-start loads. Torques exceed NEMA performance standards. Energy performance verified by LEESON’s NVLAP-Certified testing laboratory.

Lubrication fittings on each end of motor (254T frame and larger). New Exxon POLYREX® EM lubricant for extended bearing life. Oversized bearings. Slotted-head pipe plug reliefs. Bearing caps protect against entry of grease into the motor.

Non-sparking fan. Small size reduces noise and enhances efficiency. Fan keyed to shaft.

100% copper-wound Inverter Rated Insulation System is double-dipped and baked. Stator press-fitted and pinned to housing. 1.15 Service Factor provides extra margin of power. Class F insulation system with Class B or lower temperature rise. Many suitable for 50 Hz operation at 1.0 service factor. Contact factory for details.

Dynamically balanced rotor assembly is keyed to shaft.

Cast iron endplates for maximum rigidity and long bearing life.

Steel fan cover for optimum strength. Cast iron cover available for severe service.

Oversized cast iron conduit box is gasketed and may be rotated in 90° increments. NPT threaded entrance.

Internal caps on shaft-end and lead-end bearings 254T frame and larger. 182T through 215T frame motors with C-faces have locked bearing on the shaft end only. Motors are suitable for all mounting positions.

One-way, corrosion resistant condensate drains. (TEFC models) release condensation and moisture.

Neoprene shaft slinger protects bearings by repelling moisture and other contaminants. Internal protection against rust and corrosion.

12-Lead Delta windings (254T to 405T frame and larger) for across-the-line or wye delta starts. (182T & 215T frame motors are dual voltage with nine leads. Motors above 405T frame are single voltage with six leads. 575V motors have six leads, except 213T-215T which have three leads) Permanently marked leads with lugs for easy connection. Normally-closed thermostat standard on WATTSaver® e designs.

Cast iron mounting feet. Precision-machined for accurate alignment. Dual mounting provisions (six mounting holes) on 184T, 215T, 256T, 286T, 326T, 365T, 405T, 445T, 447T and 449T frames.

The WATTSaver® e line of premium efficiency motors is LEESON's unique IRIS® voltage-spike-resistant insulation system, included at no extra cost. WATTSaver e motors carry a three-year warranty in general purpose and inverter fed applications. These motors meet or exceed most utility rebate programs and the EPA's federally mandated efficiency levels. The efficiency ratings have been verified to IEEE 112B test standards by LEESON's NVLAP-Certified lab.

Cast iron 170 series motors can be field modified for forced ventilation service to extend the inverter-fed operating range and an encoder package is stocked for closed-loop vector inverter systems. These motors can be converted to IEEE841 compliant using the Custom PDQ Program. Contact LEESON.

Efficiencies meet or exceed NEMA Premium on all WATTSaver e motors.

Both 3/4 and full load efficiencies are listed on the stainless steel nameplate for your convenience in calculating realistic energy savings. Unique serial number identifies each motor and is stamped clearly on the metal nameplate.

Independently verified efficiencies by the Canadian Standards Association, an internationally recognized testing laboratory. CSA Report Number EEV78720-1.

Premium efficiency motors finished with primer and chemical resistant green acrylic matte enamel. IP43 enclosure protection.

Modification to meet IEEE 841 available through Custom PDQ. Includes addition of watertight Inpro shaft seals, two-part epoxy finish, and plated hardware.

One-way, corrosion resistant condensate drains. (TEFC models) release condensation and moisture.

Second-generation, high temperature, spike-resistant magnet wire for extended motor life. Stator impregnated with extra-heavy varnish system. 1.15 Service Factor. All WATTSaver e motors have Class F insulation with a Class B rise. Motors rated at 40 degrees C ambient.

Rugged cast iron construction on three phase, 1-350 HP models. These motors share features with normal efficiency 150 Series motors detailed on page 38. Add an optional cast iron fan guard for severe duty applications.

Three phase models suitable for inverter duty, as well as both 50 Hz and 60 Hz operation.

Meets or exceeds the 1997 mandated efficiency standards of the Energy Policy Act of 1992. Also meets or exceeds efficiency requirements of most electric utility rebate programs.

WATTSaver e motors comply with EISA 2007



UL and CSA Recognition

IRIS® Inverter Rated Insulation System from LEESON provides superior protection against voltage spikes induced by variable frequency drives. This protects better than spike-resistant magnet wire alone. Specially formed phase insulation, cushioned and sleeved connections (from the leads all the way into the turns), and deep-penetrating, non-hygroscopic,

high temperature varnish are just a few features contributing to extra protection. All this plus second generation spike-resistant magnet wire. In all LEESON stock NEMA three-phase motors, 1 HP and larger, the Inverter Rated Insulation System is standard at no extra cost. The LEESON Ultimate E®, "199" Series motors have our standard insulation system.

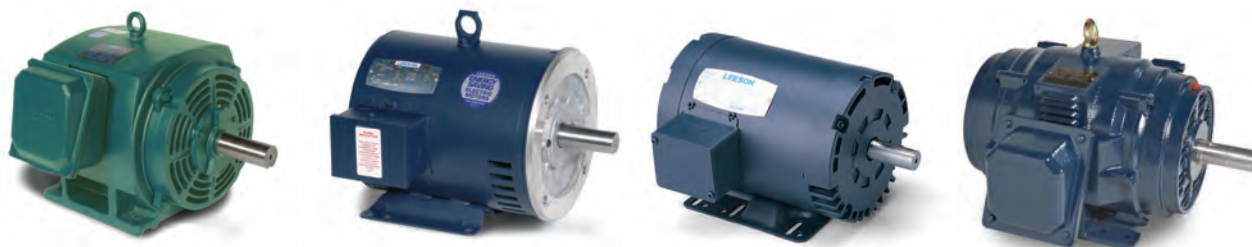
Three Phase ODP Motors

General Purpose – Drip-Proof –

208-230/460V & 460V Rigid Mount – 1/4 HP – 500 HP

C Face motors – 1/4 HP – 200 HP

Ultimate e[®] Motors
see pages 50-52



- Standard, EAct and premium efficient ratings
- Inverter-rated
- Nameplated for 50 Hz operation
- 1-year warranty on standard efficient motors
- 2-year warranty on EAct efficient motors
- 3-year warranty on premium efficient motors
- Class B insulation systems, Class F 140 frame and higher
- Shielded ball bearings for direct coupled applications
contact your local sales office for belted load applications
- Rolled steel and cast iron designs
- UL recognized and CSA certified
- WATTSaver[®] e Premium efficient motors
- Ultimate e Premium efficient motors



Applications:

For use where water and dust exposure is minimal. Ideally suited for use on pumps, compressors, blowers, fans and other standard industrial applications.

LEESON Cast Iron WATTSaver e Motors	LEESON Ultimate e Motors
Standard Features	
3 HP - 250 HP	1.5 HP - 200 HP
N/C Thermostats	N/A
3-Year Warranty	3-Year Warranty
IRIS Inverter Insulation System	Standard Insulation System
10:1 Constant Torque Operation	10:1 Constant Torque Operation
Ring Terminals on Leads	N/A
TEFC Enclosure	TEFC Enclosure
ODP Enclosure	ODP Enclosure
Chemical Resistant Paint	Enamel Paint
Cast Iron Conduit Box	Stamped Steel Conduit Box
Options	
C-Face Kits	C-Face Kits
D-Flange Kits	N/A
Encoder Mounting Provisions	N/A
Blower Kit Option	N/A
F-2 Mounting by re-assembly	F-2 Mounting by re-assembly
213-5T and 254-6T Frame Brake Kits	N/A
Cast Iron Fan Guards	N/A
SGR mounting provisions	SGR mounting provisions



Three Phase ODP Motors

General Purpose - Standard, EAct and Premium Efficient Motors

Tech Information

Single Phase ODP Motors

Single Phase TEFC Motors

Three Phase ODP Motors

Three Phase TEFC Motors

Inverter Duty Motors

Severe Duty Motors

Explosion Proof Motors

Automotive Duty Motors

Three Phase - Drip-Proof - Rigid Base

HP	SYN RPM 60 Hz	NEMA Frame	▼ Catalog Number	Stock	List Price	Model Number	App. Wgt. (lbs)	Voltage	F. L. Amps @ 230 V.	% F.L. Eff.	Service Factor	"C" Dim. (Inches)	♥Notes
1/4	1800	S56	E100027.00	√	438	C4T17DH45	20	230/460	1.0	69.5	1.35	10.74	S, MX
1/4	1800	48	LM34048	√	453	SPD4B0.25T61	19	230/460	1.0	69.5	1.35	10.34	S, MX
1/3	3600	48	E101447.00	√	449	C4T34DB7	40	230/460	1.4	69.5	1.35	10.51	S, US
1/3	1800	48	E100446.00	√	471	C4T17DB17	22	230/460	1.2	73.4	1.35	11.12	S, MX
1/3	1800	S56	E103017.00	√	477	C4T17DH39	22	230/460	1.2	73.4	1.25	11.49	S, MX
1/3	1800	S56	LM34049	√	487	SRD4B0.33T61	23	230/460	1.2	73.4	1.25	11.22	S, MX
1/3	1200	56	E110425.00	√	745	C6T11DH2	23	230/460	1.6	71.4	1.15	10.37	S, US
1/2	3600	S56	E101448.00	√	483	C4T34DH7	30	230/460	1.8	73.4	1.25	10.89	S, US
1/2	1800	56	LM34050	√	516	SRD4B0.5T61	30	230/460	1.7	78.2	1.25	11.32	S, MX
1/2	1800	56	E119351.00	√	512	C6T17DB113	23	208-230/460	2.0	78.2	1.25	9.87	S, US
1/2	1200	56	E110027.00	√	786	C6T11DB22	21	230/460	2.2	75.3	1.15	10.87	S, US
3/4	3600	S56	E101449.00	√	492	C4T34DH8	20	230/460	2.4	76.8	1.25	9.74	S, US
3/4	1800	S56	LM34051	√	528	SRD4B0.75T61	30	230/460	2.6	81.1	1.25	11.32	S, MX
3/4	1800	56	E116738.00	√	518	C6T17DB95	27	208-230/460	2.4	81.5	1.25	10.87	S, US
3/4	1200	56	E110028.00	√	823	C6T11DB23	36	230/460	2.8	81.7	1.15	11.87	S, US
1	3600	56	116128.00	D	633	C6T34DB30	27	230/460	2.8	80.0	1.25	10.18	S, US
1	3600	56	E110426.00	√	501	C6T34DB1	21	230/460	3.2	77.0	1.25	9.87	S, US
1	1800	56	LM34052	√	616	SRD4B1T61	30	230/460	3.0	83.5	1.15	11.72	S, MX
1	1800	56HZ	115827.00	√	489	C6T17DB77	27	208-230/460	4.2	78.5	1.15	11.19	S, US, 5
1	1800	56HZ	E115827.00	√	634	C6T17DB117	37	230/460	3.2	83.5	1.15	12.19	S, US, 5
1	1800	56	E116752.00	√	711	C6T17DB92	35	230/460	3.2	83.5	1.25	12.12	S, US
1	1800	143T	121003.00	√	711	C143T17DB10	40	208-230/460	3.2	85.5	1.25	12.19	S, US
1	1800	143T	LM24871	√	587	SSD4B1T61	35	230/460	3.2	85.5	1.15	11.99	S, MX
1	1200	145T	121517.00	√	828	C145T11DB7	44	230/460	3.8	82.5	1.25	12.69	S, US
1 1/2	3600	56	E116753.00	√	704	C6T34DB31	36	230/460	4.0	84.0	1.25	11.87	S, US
1 1/2	3600	143T	121514.00	√	704	C143T34DB4	39	230/460	4.0	84.0	1.25	12.19	S, US
1 1/2	1800	56H	LM34053	√	753	SRD4B1.5T61	45	230/460	4.6	86.5	1.15	14.07	S, MX, 6
1 1/2	1800	56HZ	E115825.00	√	742	C6T17DB114	42	230/460	4.8	86.5	1.15	13.19	S, US, 5
1 1/2	1800	56	E116754.00	√	742	C6T17DB91	40	230/460	4.8	86.5	1.25	12.87	S, US
1 1/2	1800	145T	121004.00	√	742	C145T17DB32	44	208-230/460	4.8	86.5	1.25	12.69	S, US
1 1/2	1800	145T	LM24875	√	614	SSD4B1.5T61	45	230/460	4.4	86.5	1.15	12.99	S, MX
1 1/2	1200	182T	131971.00	√	975	C182T11DB9	70	230/460	6.2	86.5	1.15	13.19	S, MX

Green items are Premium Efficient
 "E" prefix items comply with SMR 2015

▼ LM Numbers are Lincoln Models
 D - Item to be discontinued once inventory is depleted

Continued on next page

♥ Note listing on inside back flap
 Specifications are subject to change without notice



Three Phase ODP Motors

General Purpose - Standard,
EPAAct and Premium Efficient Motors

Ultimate e[®] Motors
see pages 50-52

Three Phase - Drip-Proof - Rigid Base

HP	SYN RPM 60 Hz	NEMA Frame	▼ Catalog Number	Stock	List Price	Model Number	App. Wgt. (lbs)	Voltage	F. L. Amps @ 230 V.	% FL. Eff.	Service Factor	"C" Dim. (Inches)	♥Notes
2	3600	56H	LM24877	D	686	SRD2S2T61	25	230/460	6.2	80.0	1.15	10.44	S, US, 6
2	3600	56	E116755.00	√	830	C6T34DB32	41	230/460	4.8	85.5	1.25	12.87	S, US
2	3600	145T	121515.00	√	830	C145T34DB15	45	230/460	4.8	85.5	1.25	12.69	S, US
2	1800	56H	LM34054	C/A	856	SRD4B2T61	46	230/460	6.0	86.5	1.15	13.44	S, MX, 47
2	1800	56HZ	115826.00	√	562	C6T17DB78	36	230/460	6.2	78.5	1.15	11.63	S, US, 5
2	1800	56HZ	E115826.00	√	841	C6T17DB115	46	230/460	5.8	86.5	1.25	13.69	S, US, 5
2	1800	56H	111310.00	D	859	A6T17DB124	39	230/460	5.8	78.7	1.15	13.34	S, US, 6, 33
2	1800	56H	E111310.00	C/A	859	A6T17DB124	39	230/460	5.8	86.5	1.15	13.34	S, US, 6, 33
2	1800	56H	E116756.00	√	841	C6T17DB96	47	230/460	5.8	86.5	1.25	13.37	S, US, 6
2	1800	145T	121005.00	√	841	C145T17DB33	48	208-230/460	5.8	86.5	1.25	13.69	S, US
2	1800	145T	LM24169	√	680	SSD4BT61	48	230/460	6.0	86.5	1.25	13.00	S, MX
2	1200	184T	131972.00	√	991	C184T11DB9	81	230/460	6.8	87.5	1.15	14.19	S, MX
3	3600	56H	E113293.00	√	862	C6T34DB37	44	230/460	7.2	86.5	1.15	12.87	S, US, 6
3	3600	145T	121516.00	√	840	C145T34DB16	46	230/460	7.2	86.5	1.25	12.69	S, US
3	3600	145T	LM32731	√	765	SSD2B3T61	42	230/460	7.2	85.5	1.25	12.70	S, US
3	1800	56HZ	116595.00	√	671	C6T17DB90	47	208-230/460	8.6	82.5	1.15	13.13	S, US, 5
3	1800	182T	131519.00	√	860	C182T17DB37	77	208-230/460	8.0	89.5	1.25	13.19	S, MX
3	1800	182T	LM24222	√	885	SSD4B3T61	89	230/460	8.0	89.5	1.25	13.19	S, MX
3	1200	213T	171574.60	√	1,286	C213T11DB2	156	208-230/460	10.2	88.5	1.15	16.38	C, CN
5	3600	184T	131986.00	√	921	C184T34DB11	86	230/460	12.0	86.5	1.15	15.19	S, MX
5	1800	184T	131520.00	√	969	C184T17DB44	95	230/460	12.6	89.5	1.25	14.19	S, MX
5	1800	184T	LM24202	√	993	SSD4BT61	89	230/460	12.6	89.5	1.25	14.19	S, MX
5	1200	215T	171575.60	√	1,625	C215T11DB6	188	208-230/460	15.7	90.2	1.15	16.38	C, CN
7 1/2	3600	184T	131988.00	√	1,331	C184T34DB12	106	230/460	17.6	88.5	1.15	16.19	S, MX
7 1/2	1800	213T	140470.00	√	1,216	C213T17DB2	133	230/460	20.8	91.0	1.25	16.25	S, MX
7 1/2	1800	213T	LM24194	√	1,398	SSD4B7.5T61	158	230/460	19.2	91.0	1.25	18.54	S, US
7 1/2	1800	213T	170142.60	√	1,290	C213T17DB44	163	208-230/460	20.6	91.0	1.15	16.38	C, CN
7 1/2	1200	254T	170145.60	√	2,036	C254T11DB43	291	208-230/460	23.4	91.7	1.15	20.94	C, CN

Shaded model numbers are cast iron frame

Continued on next page

Green items are Premium Efficient
"E" prefix items comply with SMR 2015

♥ Note listing on inside back flap
Specifications are subject to change without notice

▼ LM Numbers are Lincoln Models
D - Item to be discontinued once inventory is depleted
C/A - Check Availability

Three Phase - Drip-Proof - Rigid Base

HP	SYN RPM 60 Hz	NEMA Frame	▼ Catalog Number	Stock	List Price	Model Number	App. Wgt. (lbs)	Voltage	F. L. Amps @ 230 V.	% FL. Eff.	Service Factor	"C" Dim. (Inches)	♥Notes
10	3600	213T	140753.00	√	1,402	C213T34DB4	160	230/460	23.4	89.5	1.15	17.30	S, MX
10	3600	213T	LM32740	√	1,482	SSD2B10T61	162	230/460	24.0	89.5	1.25	17.30	S, US
10	3600	213T	170143.60	√	1,492	C213T34DB45	153	208-230/460	23.6	91.0	1.15	16.38	C, CN
10	1800	215T	140472.00	√	1,437	C215T17DB15	144	230/460	26.8	91.7	1.25	17.25	S, MX
10	1800	215T	LM24193	√	1,562	SSDB10T61	156	230/460	25.0	91.7	1.25	18.54	S, US
10	1800	215T	170144.60	√	1,522	C215T17DB49	203	208-230/460	25.6	91.7	1.15	17.87	C, CN
10	1200	256T	170146.60	√	2,537	C256T11DB45	305	208-230/460	29.6	91.7	1.15	22.60	C, CN
15	3600	215T	140754.00	√	1,864	C215T34DB4	170	230/460	35.0	91.0	1.15	18.55	S, MX
15	3600	215T	LM32743	√	1,980	SSD2B15T61	170	230/460	35.0	90.2	1.25	18.54	S, MX
15	3600	215T	170064.60	√	2,005	C215T34DB3	178	208-230/460	34.6	91.0	1.15	17.87	C, CN
15	1800	254T	170065.60	√	2,026	C254T17DB9	289	208-230/460	37.0	93.0	1.15	20.94	C, CN
15	1800	254T	LM24190	√	2,330	CCD4B15T61	300	230/460	37.0	93.0	1.25	22.87	C, US
15	1200	284T	170067.60	√	3,341	C284T11DB7	445	208-230/460	39.4	92.4	1.25	23.54	C, CN
20	3600	254T	170032.60	√	2,517	C254T34DB5	285	208-230/460	46.0	93.0	1.15	20.94	C, CN
20	1800	256T	170006.60	√	2,475	C256T17DB5	334	208-230/460	51.0	93.0	1.15	22.60	C, CN
20	1800	256T	LM24199	√	2,687	CCD4B20T61	350	230/460	48.0	93.0	1.25	24.37	C, US
20	1800	286T	LM32746	√	3,681	SSD4B20T61	233	230/460	48.0	93.0	1.25	25.18	S, US
20	1200	286T	170000.60	√	4,125	C286T11DB1	467	208-230/460	55.0	92.4	1.15	25.00	C, CN
25	3600	256T	170034.60	√	3,124	C256T34DB5	325	208-230/460	52.4	93.0	1.15	22.60	C, CN
25	1800	284T	170009.60	√	3,124	C284T17DB7	414	208-230/460	59.6	93.6	1.15	23.50	C, CN
25	1800	284T	LM29576	√	3,477	CCD4B25T61Y	435	230/460	64.0	93.6	1.25	24.94	C, US
25	1800	284TS	LM32748	C/A	3,477	CCD4B25TS61Y	435	230/460	64.0	93.6	1.25	23.57	C, US
25	1200	324T	170002.60	√	4,912	C324T11DB5	670	208-230/460	67.0	93.0	1.15	26.02	C, CN
30	3600	284TS	170036.60	√	3,627	C284T34DB4	406	208-230/460	67.0	94.1	1.15	22.17	C, CN
30	3600	284T	LM32687	C/A	6,737	SD2B30T61Y	365	230/460	67.0	91.7	1.25	23.00	S, US
30	1800	286T	170013.60	√	3,386	C286T17DB8	490	230/460	71.0	94.1	1.15	25.00	C, CN
30	1800	286T	LM29577	√	4,030	CCD4B30T61Y	491	230/460	74.0	94.1	1.25	26.81	C, US
30	1800	286TS	LM32749	C/A	4,030	CCD4B39TS61Y	423	230/460	73.0	94.1	1.25	25.44	C, US
30	1200	326T	170004.60	√	5,123	C326T11DB1	760	208-230/460	78.0	93.6	1.15	27.52	C, CN

Shaded model numbers are cast iron frame

Continued on next page

Green items are Premium Efficient

▼ LM Numbers are Lincoln Models

C/A - Check Availability

♥ Note listing on inside back flap
Specifications are subject to change without notice



Three Phase ODP Motors

General Purpose - Standard,
EPAAct and Premium Efficient Motors

Ultimate e[®] Motors
see pages 50-52

Three Phase - Drip-Proof - Rigid Base

HP	SYN RPM 60 Hz	NEMA Frame	▼ Catalog Number	Stock	List Price	Model Number	App. Wgt. (lbs)	Voltage	F. L. Amps @ 230 V.	% FL. Eff.	Service Factor	"C" Dim. (Inches)	♥Notes
40	3600	286TS	170038.60	√	4,773	C286T34DB3	451	208-230/460	91.0	93.6	1.15	23.62	C, CN
40	3600	286TS	LM13969	C/A	8,108	SD2B40TS61Y	389	230/460	90.0	93.6	1.25	23.25	S, US
40	3600	286T	LM32750	√	8,108	SD2B40T61Y	389	230/460	90.0	92.4	1.25	24.54	S, US
40	1800	324T	170017.60	√	4,461	C324T17DB8	591	208-230/460	96.0	94.1	1.15	26.02	C, CN
40	1800	324T	LM13811	√	8,601	SD4B40T61Y	469	230/460	104.0	94.1	1.25	25.82	S, US
40	1800	324TS	LM32751	C/A	8,601	SD4B40TS61Y	469	230/460	103.0	94.1	1.25	24.32	S, US
40	1200	364T	170147.60	√	7,304	C364T11DB1	892	208-230/460	100.0	94.1	1.15	28.00	C, CN
50	3600	324TS	170040.60	√	5,823	C324T34DB3	558	208-230/460	112.0	94.1	1.15	24.53	C, CN
50	3600	324T	LM32752	C/A	8,167	SD2B50T61Y	469	230/460	110.0	93.0	1.25	25.82	S, US
50	1800	326T	170021.60	√	5,389	C326T17DB5	660	208-230/460	118.0	94.5	1.15	27.52	C, CN
50	1800	326T	LM13813	√	8,707	SD4B50T61Y	522	230/460	131.0	95.0	1.25	27.32	S, US
50	1800	326TS	LM32674	√	8,707	SD4B50TS61Y	522	230/460	131.0	94.5	1.25	25.82	S, US
50	1200	365T	170148.60	√	8,355	C365T11DB1	918	208-230/460	128.0	94.5	1.15	32.72	C, CN
60	3600	326TS	170042.60	√	6,963	C326T34DB5	600	208-230/460	136.0	94.1	1.25	26.02	C, CN
60	3600	326TS	LM13814	C/A	7,932	SD2B60TS61Y	522	230/460	136.0	94.5	1.25	25.82	S, US
60	3600	326T	LM32682	C/A	7,932	SD2B60T61Y	522	230/460	136.0	93.6	1.25	27.32	S, US
60	1800	364T	170025.60	√	5,934	C364T17DB7	1115	208-230/460	139.0	94.1	1.15	31.54	C, CN
60	1800	364T	LM14813	√	11,783	SD4B60T61Y	712	230/460	140.0	95.0	1.25	28.40	S, US
60	1800	364TS	LM32753	C/A	11,783	SD4B60TS61Y	712	230/460	140.0	95.0	1.25	26.27	S, US
60	1200	404T	170149.60	√	9,249	C404T11DB5	1226	208-230/460	159.0	94.5	1.25	32.76	C, CN
75	3600	364TS	170044.60	√	9,200	C364T34DB3	1005	208-230/460	170.0	94.1	1.15	29.41	C, CN
75	3600	364TS	LM14812	C/A	12,809	SD2B75TS61Y	712	230/460	164.0	94.5	1.25	29.77	S, US
75	3600	364T	LM32754	C/A	12,809	SD2B75T61Y	712	230/460	164.0	93.6	1.25	28.40	S, US
75	1800	365T	170029.60	√	7,317	C365T17DB5	1093	208-230/460	174.0	94.5	1.15	31.54	C, CN
75	1800	365T	LM14815	C/A	11,994	SD4B75T61Y	763	230/460	176.0	95.0	1.25	29.40	S, US
75	1800	365TS	LM32755	√	11,994	SD4B75TS61Y	763	230/460	180.0	95.0	1.25	27.27	S, US
75	1200	405T	170150.60	√	10,961	C405T11DB6	1275	208-230/460	199.0	94.5	1.15	34.25	C, CN
100	3600	365TS	170151.60	√	10,400	C365T34DB4	1078	208-230/460	226.0	94.5	1.15	29.10	C, CN
100	3600	365TS	LM14814	C/A	11,583	SD2B100TS61Y	763	230/460	220.0	95.0	1.25	27.27	S, US
100	3600	365T	LM32756	C/A	11,583	SD2B100T61Y	763	230/460	220.0	93.6	1.25	29.40	S, US
100	1800	404T	170152.60	√	10,011	C404T17DB5	1183	208-230/460	225.0	95.4	1.15	36.42	C, CN
100	1800	405T	LM13943	√	13,209	SD4B100T61Y	882	230/460	244.0	95.4	1.25	33.31	S, US
100	1800	404TS	LM32757	√	13,209	SD4B100TS61Y	882	230/460	260.0	95.4	1.25	29.18	S, US
100	1200	444T	170269.60	√	12,947	C444T11DB4	2604	460	118 *	95.4	1.15	40.00	C, CN

Shaded model numbers are cast iron frame

Continued on next page

Green items are Premium Efficient

▼ LM Numbers are Lincoln Models

C/A - Check Availability

*Amps at 460 volts

♥ Note listing on inside back flap
Specifications are subject to change without notice

Single Phase
ODP MotorsSingle Phase
TEFC MotorsThree Phase
ODP MotorsThree Phase
TEFC MotorsInverter Duty
MotorsSevere Duty
MotorsExplosion Proof
MotorsAutomotive
Duty Motors

Three Phase - Drip-Proof - Rigid Base

HP	SYN RPM 60 Hz	NEMA Frame	▼ Catalog Number	Stock	List Price	Model Number	App. Wgt. (lbs)	Voltage	F. L. Amps @ 230 V.	% F.L. Eff.	Service Factor	"C" Dim. (Inches)	♥Notes
125	3600	404TS	170154.60	√	12,023	C404T34DB1	1585	230/460	284	94.5	1.15	29.80	C, CN
125	3600	404TS	LM13942	C/A	14,067	SD2B125TS61Y	882	230/460	276	95.0	1.25	29.20	S, US
125	3600	404T	LM32758	C/A	14,067	SD2B125T61Y	882	230/460	276	94.1	1.25	32.00	S, US
125	1800	405T	170155.60	√	12,670	C405T17DB6	1292	208-230/460	280	95.4	1.15	34.30	C, CN
125	1800	405TS	LM32759	C/A	13,360	SD4B125TS61Y	958	230/460	306	95.4	1.25	30.70	S, US
125	1200	445T	170259.60	√	16,830	C445T11DB4	2200	460	148 *	95.8	1.25	40.00	C, CN
150	3600	405TS	171449.60	√	14,833	C405T34DB2	1173	460	169 *	94.5	1.15	31.30	C, CN
150	1800	444T	171522.60	√	14,962	C444T17DB2	2150	460	164 *	95.8	1.15	40.00	C, CN
150	1800	444T	LM13817	√	17,117	SD4B150T64Y	1277	460	170 *	95.8	1.25	37.40	S, US
150	1800	444TS	LM32760	√	17,117	SD4B150TS64Y	277	460	170 *	95.8	1.25	33.50	S, US
150	1200	445T	171576.60	√	18,055	C445T11DB5	2153	460	178 *	95.8	1.15	40.00	C, CN
200	3600	444TS	171573.60	√	19,727	C444T35DB1	1765	460	216 *	95.4	1.25	36.30	C, CN
200	1800	445T	171523.60	√	17,255	C445T17DB14	2037	460	220 *	95.8	1.15	40.00	C, CN
200	1800	445T	LM13820	√	21,052	SD4B200T64Y	1438	460	233 *	96.2	1.25	39.40	S, US
200	1800	445TS	LM32761	C/A	21,052	SD4B200TS64Y	1449	460	233 *	96.2	1.25	35.50	S, US
200	1200	447T	171577.60	√	23,734	C447T11DB1	2750	460	239 *	96.2	1.15	48.50	C, CN
200	1200	449T	LM16239	√	23,603	SDB200T64Y	2112	460	255 *	95.8	1.15	47.90	S, US
250	3600	445TS	LM13822	√	30,730	SD2B250TS64Y	1438	460	267 *	95.8	1.15	35.50	S, US
250	1800	445T	171524.60	√	19,368	C445T17DB19	1940	460	284 *	95.8	1.15	40.00	C, CN
250	1800	447T	LM16235	C/A	29,261	SD4B250T64Y	1745	460	284 *	95.8	1.15	42.93	S, US
300	3600	447TS	LM13825	C/A	36,202	SD2B300TS64Y	1745	460	316 *	96.2	1.15	39.00	S, US
300	3600	447TS	LM13764	C/A	28,669	SD2P300TS64Y	1745	460	316 *	95.4	1.15	39.00	S, US
300	1800	447T	LM13826	√	30,510	SD4B300T64Y	1745	460	348 *	95.8	1.15	42.90	S, US
300	1800	447TS	LM32143	C/A	26,906	SD4B300TS64Y	1775	460	348 *	95.8	1.15	39.00	S, US
300	1800	445T	171525.60	√	22,219	C445T17DB20	2345	460	329 *	95.8	1.15	40.00	C, CN
350	3600	447TS	LM13767	√	32,450	SD2P350TS64Y	1745	460	369 *	95.4	1.15	39.00	S, US
350	3600	449TS	LM16237	C/A	43,027	SD2B350TS64Y	2112	460	368 *	95.8	1.15	44.00	S, US
350	1800	447TS	LM34097	√	33,191	SD4B350TS64Y		460	405 *	95.8	1.00	39.00	S, US
350	1800	447T	171518.60	√	24,522	C447T17DB10	2041	460	392 *	95.8	1.15	40.00	C, CN
400	3600	449TS	LM13831	C/A	47,368	SD2B400TS64Y	2112	460	430 *	95.8	1.15	44.00	S, US
400	1800	449T	LM13832	C/A	45,965	SD4B400T64Y	2112	460	445 *	96.2	1.15	47.90	S, US
400	1800	449TS	LM22759	C/A	34,405	SD4B400TS64Y	2112	460	460 *	95.8	1.15	44.00	S, US

Shaded model numbers are cast iron frame

♥ Note listing on inside back flap
Specifications are subject to change without notice

Green items are Premium Efficient

- ▼ LM Numbers are Lincoln Models
- D - Item to be discontinued once inventory is depleted
- C/A - Check Availability
- *Amps at 460 volts

Tech Information

Single Phase ODP Motors

Single Phase TEFC Motors

Three Phase ODP Motors

Three Phase TEFC Motors

Inverter Duty Motors

Severe Duty Motors

Explosion Proof Motors

Automotive Duty Motors



Three Phase C Face Motors

Drip-Proof - General Purpose

Ultimate e[®] Motors
see pages 50-52

Three Phase - Drip-Proof - C Face Less Base

HP	SYN RPM 60 Hz	NEMA Frame	Catalog Number	Stock	List Price	Model Number	App. Wgt. (lbs)	Voltage	F. L. Amps @ 230 V.	% FL. Eff.	Service Factor	"C" Dim. (Inches)	♥Notes
1/3	1800	S56C	E103014.00	√	440	C4T17DC55	20	230/460	1.0	69.5	1.35	10.74	S, MX
1/3	3600	S56C	E100375.00	√	456	C4T34DC45	19	230/460	1.4	69.5	1.35	11.04	S, US
1/3	1800	S56C	100048.00	D	374	C4T17DC1	17	230/460	1.6	64.3	1.35	9.49	S, MX
1/3	1800	S56C	102695.00	D	471	C4T17DC45	22	230/460	1.3	77.0	1.25	11.49	S, MX
1/3	1800	S56C	E102695.00	√	471	C4T17DC45	22	230/460	1.2	77.0	1.25	11.49	S, MX
1/2	3600	S56C	E100056.00	√	492	C4T34DC46	19	230/460	1.8	73.4	1.25	11.04	S, US
1/2	1800	56C	E119352.00	√	531	C6T17DC97	29	230/460	2.0	78.2	1.25	9.87	S, US
1/2	1200	56C	E110434.00	√	802	C6T11DC12	29	230/460	2.2	75.3	1.15	10.87	S, US
3/4	3600	S56C	E100378.00	√	497	C4T34DC3	20	230/460	2.4	79.0	1.25	9.74	S, US
3/4	1800	56C	E114934.00	√	539	C6T17DC68	29	230/460	2.4	81.5	1.25	10.87	S, US
3/4	1200	143TC	120063.00	√	692	C143T11DC1	20	208-230/460	3.4	80.0	1.15	12.12	S, US
3/4	1200	56C	E116728.00	√	840	C6T11DC13	36	230/460	2.8	81.7	1.15	11.87	S, US
1	3600	56C	E110111.00	√	508	C6T34DC7	22	230/460	3.2	77.0	1.25	9.87	S, US
1	1800	143TC	121064.00	C/A	781	C143T17DC12	32	230/460	3.2	85.5	1.25	12.12	S, US
1	1800	56C	E116740.00	√	781	C6T17DC80	32	230/460	3.2	85.5	1.25	12.12	S, US
1	1200	145TC	122162.00	C/A	834	C145T11DC6	41	208-230/460	3.9	82.5	1.15	9.87	S, US
1 1/2	3600	143TC	G121668.00	D	646	C143T34DC5	35	208-230/460	4.4	82.5	1.50	11.78	S, US
1 1/2	3600	143TC	122214.00	√	770	C143T34DC10	41	208-230/460	4.4	84.0	1.15	10.19	S, US
1 1/2	3600	56C	E110437.00	√	761	C4T34DC48	35	230/460	4.0	84.0	1.25	11.87	S, US
1 1/2	1800	145TC	121063.00	C/A	815	C145T17DC30	36	230/460	4.8	86.5	1.25	13.12	S, US
1 1/2	1800	56C	E116741.00	√	815	C6T17DC81	36	230/460	4.8	86.5	1.25	12.87	S, US

Green items are Premium Efficient

"E" prefix items comply with SMR 2015

D - Item to be discontinued once inventory is depleted

C/A - Check Availability

Continued on next page

♥ Note listing on inside back flap
Specifications are subject to change without notice

Three Phase - Drip-Proof - C Face Less Base

HP	SYN RPM 60 Hz	NEMA Frame	▼ Catalog Number	Stock	List Price	Model Number	App. Wgt. (lbs)	Voltage	F. L. Amps @ 230 V.	% FL. Eff.	Service Factor	"C" Dim. (Inches)	♥Notes
2	3600	143TC	122164.00	√	845	C143T34DC9	47	208-230/460	4.8	85.5	1.15	12.69	S, US
2	3600	56C	E113894.00	√	845	C6T34DC104	41	230/460	4.8	85.5	1.25	12.87	S, US
2	1800	145TC	121071.00	√	930	C145T17DC31	41	230/460	5.8	86.5	1.25	13.62	S, US
2	1800	56C	116742.00	D	917	C6T17DC82	41	208-230/460	5.8	86.5	1.25	13.18	S, US
2	1800	56C	E116742.00	√	917	C6T17DC82	41	230/460	5.8	86.5	1.25	13.37	S, US
2	1200	184TC	132427.00	C/A	991	C182T11DC112	85	230/460	7.2	88.5	1.15	15.20	S, MX
3	3600	145TC	LM32793	D	864	SSD2P3TCN61	33	230/460	7.6	84.0	1.15	11.99	S, US
3	3600	145TC	122163.00	√	886	C145T34DC17	49	208-230/460	7.2	85.5	1.15	12.69	S, US
3	3600	56C	E114420.00	√	878	C6T34DC105	45	230/460	7.2	85.5	1.25	12.87	S, US
3	1800	182TC	G131489.00	D	804	C182T17DC28	57	230/460	8.4	86.5	1.15	12.69	S, MX
3	1800	182TC	131518.00	C/A	983	C182T17DC20	75	230/460	7.8	89.5	1.25	13.20	S, MX
5	3600	182TC	132426.00	√	905	C182T34DC111	67	230/460	12.4	86.5	1.15	13.20	S, MX
5	1800	184TC	G131490.00	D	845	C184T17DC27	69	230/460	13.2	87.5	1.15	13.69	S, MX
5	1800	184TC	131517.00	√	1,156	C184T17DC16	96	230/460	12.8	89.5	1.25	15.20	S, MX
7 1/2	3600	184TC	G131780.00	D	1,206	C184T34DC9	78	230/460	17.6	87.5	1.15	14.70	S, MX
7 1/2	3600	184TC	132425.00	√	1,362	C184T34DC110	85	230/460	17.8	88.5	1.15	14.70	S, MX
7 1/2	1800	213TC	140483.00	√	1,280	C213T17DC7	132	230/460	20.6	91.0	1.25	16.25	S, MX
10	3600	213TC	G140688.00	D	1,376	C213T34DC1	138	230/460	23.4	88.5	1.15	16.53	S, MX
10	3600	213TC	141228.00	√	1,499	C215T34DC69	145	230/460	24.2	90.2	1.15	18.03	S, MX
10	1800	215TC	G140108.00	D	1,377	C215T17DC8	132	230/460	28.0	89.5	1.15	16.75	S, MX
10	1800	215TC	140485.00	C/A	1,446	C213T17DC5	144	208-230/460	26.8	91.9	1.25	17.25	S, MX
15	3600	215TC	141229.00	√	1,936	C215T34DC70	148	230/460	36.5	91.0	1.15	19.28	S, MX
15	1800	254TC	G151682.60	D	2,015	C254T17DC7	265	208-230/460	37.6	91.0	1.15	21.32	C, CN
15	1800	254TC	171682.60	√	2,182	C254T17DC8	280	208-230/460	37.0	93.0	1.15	20.94	C, CN
20	3600	254TC	171683.60	√	2,732	C254T34DC4	280	208-230/460	46.6	91.0	1.15	20.94	C, CN
20	1800	256TC	G151684.60	D	2,462	C256T17DC5	307	208-230/460	48.0	91.0	1.15	23.03	C, CN
20	1800	256TC	171684.60	√	2,723	C256T17DC6	340	208-230/460	51.0	93.0	1.15	22.60	C, CN
25	3600	256TC	G151685.60	D	2,818	C256T34DC2	292	208-230/460	57.0	91.0	1.15	22.60	C, CN
25	3600	256TC	171685.60	√	3,350	C256T34DC3	383	208-230/460	57.0	92.5	1.15	23.03	C, CN
25	1800	284TC	G151686.60	D	3,001	C284T17DC2	388	208-230/460	59.6	91.7	1.15	23.54	C, CN
25	1800	284TC	171686.60	√	3,406	C284T17DC3	404	208-230/460	59.6	93.6	1.15	23.54	C, CN
30	3600	284TSC	G151687.60	D	3,287	C284T34DC2	373	230/460	70.4	91.0	1.15	25.00	C, CN
30	3600	284TSC	171687.60	√	3,692	C284T34DC3	406	230/460	67.0	94.1	1.15	25.00	C, CN

Shaded model numbers are cast iron frame

Green items are Premium Efficient
"E" prefix items comply with SMR 2015

▼ LM Numbers are Lincoln Models
D - Item to be discontinued once inventory is depleted
C/A - Check Availability

♥ Note listing on inside back flap
Specifications are subject to change without notice

Tech Information

Single Phase ODP Motors

Single Phase TEFC Motors

Three Phase ODP Motors

Three Phase TEFC Motors

Inverter Duty Motors

Severe Duty Motors

Explosion Proof Motors

Automotive Duty Motors



Three Phase C Face Motors

Drip-Proof - General Purpose

Ultimate e[®] Motors
see pages 50-52

Three Phase - Drip-Proof - C Face With Base

HP	SYN RPM 60 Hz	NEMA Frame	▼ Catalog Number	Stock	List Price	Model Number	App. Wgt. (lbs)	Voltage	F. L. Amps @ 230 V.	% FL. Eff.	Service Factor	"C" Dim. (Inches)	♥Notes
1/3	1800	S56C	LM24277	D	405	SRDAS0.33TC61	15	230/460	2.2	67.0	1.35	9.80	S, MX
1/3	1800	S56C	E103021.00	C/A	493	C4T17DK9	23	230/460	1.3	77.0	1.25	11.49	S, MX
1/2	3600	S56C	E100600.00	√	523	C4T34DK18	27	230/460	0.9	78.2	1.25	11.04	S, US
1/2	1800	56C	E119353.00	√	546	C6T17DK40	26	230/460	1.0	78.2	1.25	9.87	S, US
3/4	3600	S56C	E102971.00	√	527	C4T34DK9	21	230/460	2.4	79.0	1.25	9.74	S, US
3/4	1800	S56C	LM34055	√	550	SRD4B0.75TC61	29	230/460	1.3	81.1	1.25	11.55	S, MX
3/4	1800	56C	E116762.00	√	552	C6T17DK30	30	230/460	2.4	81.5	1.25	10.87	S, US
1	3600	56C	E116784.00	C/A	533	C6T34DK16	23	230/460	3.2	77.0	1.15	9.87	S, US
1	1800	S56C	LM34056	√	802	SRD4B1TC61	34	230/460	1.5	83.5	1.15	12.19	S, MX
1	1800	56C	E116763.00	√	791	C6T17DK33	33	230/460	3.4	85.5	1.25	12.12	S, US
1	1800	143TC	121935.00	C/A	727	C143T17DK6	34	230/460	3.2	85.5	1.25	12.12	S, US
1 1/2	3600	56C	116785.00	D	630	C6T34DK17	28	208-230/460	4.2	81.5	1.15	10.84	S, US
1 1/2	3600	56C	E116785.00	√	776	C6T34DK20	35	230/460	4.0	84.0	1.25	11.87	S, US
1 1/2	1800	56HC	LM34057	√	835	SRD4B1.5TC61	34	230/460	2.3	86.5	1.15	13.50	S, US, 6
1 1/2	1800	56C	E116764.00	C/A	817	C6T17DK32	37	230/460	5.6	86.5	1.15	12.87	S, US
1 1/2	1800	145TC	121675.00	C/A	817	C145T17DK22	37	208-230/460	5.6	86.5	1.25	13.12	S, US
2	3600	56C	E114218.00	√	858	C6T34DK25	41	230/460	4.8	85.5	1.15	12.87	S, US
2	1800	56HC	LM34058	√	933	SRD4B2TC61	42	230/460	3.0	86.5	1.25	13.44	S, US, 6
2	1800	56HC	E116765.00	√	925	C6T17DK31	42	230/460	5.8	86.5	1.25	13.37	S, US, 6
2	1800	145TC	121676.00	√	925	C145T17DK21	42	230/460	5.8	86.5	1.25	13.62	S, US
3	3600	145TC	121928.00	C/A	851	C145T34DK16	45	230/460	7.2	85.5	1.25	13.76	S, US
3	1800	182TC	132081.00	√	1001	C182T17DK17	76	230/460	7.8	89.5	1.25	14.20	S, MX
5	3600	182TC	132242.00	√	921	C184T34DK20	92	230/460	12.2	86.5	1.15	15.19	S, MX
5	1800	184TC	132082.00	√	1,173	C184T17DK26	97	230/460	12.8	89.5	1.25	15.20	S, MX
7 1/2	3600	184TC	132244.00	√	1,390	C184T34DK21	106	230/460	17.6	88.5	1.15	16.19	S, MX
7 1/2	1800	213TC	140767.00	C/A	1,290	C213T17DK7	132	230/460	20.8	91.0	1.25	16.25	S, MX
7 1/2	1800	213TC	170170.60	√	1,253	C213T17DK15	165	208-230/460	19.8	91.0	1.15	16.38	C, CN

Shaded model numbers are cast iron frame

Continued on next page

Green items are Premium Efficient
"E" prefix items comply with SMR 2015

♥ Note listing on inside back flap
Specifications are subject to change without notice

▼ LM Numbers are Lincoln Models

D - Item to be discontinued once inventory is depleted

C/A - Check Availability

Three Phase - Drip-Proof - C Face With Base

HP	SYN RPM 60 Hz	NEMA Frame	▼ Catalog Number	Stock	List Price	Model Number	App. Wgt. (lbs)	Voltage	F. L. Amps @ 230 V.	% F.L. Eff.	Service Factor	"C" Dim. (Inches)	♥Notes
10	3600	213TC	141111.00	√	1,542	C213T34DK6	160	230/460	23.4	89.5	1.15	17.30	S, MX
10	3600	213TC	LM32778	C/A	1,623	SSD2B10TC61	138	230/460	26.8	89.5	1.25	17.25	S, MX
10	3600	213TC	170171.60	√	1,673	C213T3DK7	195	208-230/460	27.6	89.5	1.15	16.38	C, CN
10	1800	215TC	140768.00	√	1,463	C215T17DK6	144	230/460	26.8	91.9	1.25	17.25	S, MX
10	1800	215TC	LM32649	√	1,687	SSD4B10TC61	138	230/460	25.0	91.7	1.25	19.28	S, MX
10	1800	215TC	170172.60	√	1,638	C215T17DK13	200	208-230/460	25.6	91.7	1.15	18.62	C, CN
15	3600	215TC	170173.60	√	2,311	C215T34DK9	200	208-230/460	34.6	90.2	1.15	17.87	C, CN
15	3600	215TC	141119.00	√	1,992	C215T34DK3	170	230/460	35.0	91.0	1.15	18.55	S, MX
15	1800	254TC	170175.60	√	2,339	C254T17DK7	280	208-230/460	37.0	93.0	1.15	20.94	C, CN
15	1800	254TC	LM32781	C/A	2,651	CCD4B15TC61	326	230/460	37.0	93.6	1.25	23.31	C, US
20	3600	254TC	170070.60	√	2,794	C254T34DK6	280	208-230/460	46.6	91.0	1.15	20.94	C, CN
20	1800	256TC	170071.60	√	2,845	C256T17DK6	340	208-230/460	51.0	93.0	1.15	22.60	C, CN
20	1800	286TC	LM32783	√	3,934	SSD4B20TC61	233	230/460	48.0	93.0	1.25	29.19	S, US
25	3600	256TC	171688.60	√	3,496	C256T34DK6	383	208-230/460	57	92.5	1.15	23.03	C, CN
25	1800	284TC	170073.60	√	3,594	C284T17DK4	404	208-230/460	59.6	93.6	1.15	23.54	C, CN
25	1800	284TSC	LM32785	√	3,811	CCD4B25TSC61Y	447	230/460	62	93.6	1.25	23.57	C, US
25	1200	324TC	LM14535	C/A	6,123	SD6B25TC61Y	479	230/460	65	93.0	1.25	28.00	S, US
30	3600	284TSC	LM17382	√	6,256	SD2B30TSC61Y	355	230/460	67	93.0	1.25	21.78	S, US
30	1800	286TC	171377.60	√	4,115	C286T17DK5	471	208-230/460	71	94.1	1.15	25.00	C, CN
30	1800	286TSC	LM32786	C/A	4,415	CCD4B30TSC61Y	400	230/460	74	94.1	1.25	25.44	C, US
40	3600	286TSC	LM17384	C/A	8,176	SD2B40TSC61Y	406	230/460	90	93.6	1.25	23.28	S, US
40	1800	324TC	170378.60	√	5,215	C324T17DK10	560	208-230/460	96	94.1	1.15	26.02	C, CN
40	1800	324TC	LM13837	C/A	8,892	SD4B40TC61Y	479	230/460	103	94.1	1.25	25.91	S, US
50	3600	324TSC	LM13838	√	8,218	SD2B50TSC61Y	479	230/460	110	94.1	1.25	24.41	S, US
50	1800	326TC	170379.60	√	6,177	C326T17DK4	614	208-230/460	118	94.5	1.15	27.52	C, CN
50	1800	326TC	LM13839	√	8,896	SD4B50TC61Y	479	230/460	130	94.5	1.25	27.41	S, US
50	1800	326TSC	LM32655	√	8,896	SD4B50TSC61Y	532	230/460	131	94.5	1.25	25.91	S, US
60	3600	326TSC	LM13840	C/A	7,915	SD2B60TSC61Y	535	230/460	136	93.6	1.25	25.91	S, US
60	1800	364TC	171689.60	√	7,752	C364T17DK2	716	208-230/460	139	95.0	1.15	28.01	C, CN
60	1800	364TSC	LM32787	√	11,917	SD4B60TSC61Y	724	230/460	140	94.5	1.25	28.35	S, US
60	1800	364TC	LM15570	C/A	11,917	SD4B60TC61Y	724	230/460	140	95.0	1.25	28.35	S, US
75	3600	364TSC	LM15569	√	12,632	SD2B75TSC61Y	724	230/460	164	95.0	1.25	26.27	S, US
75	1800	365TC	171690.60	√	9,415	C365T17BK2	766	208-230/460	172	95.0	1.15	31.18	C, CN
75	1800	365TSC	LM32656	√	11,877	SD4B75TSC61Y	775	230/460	176	95.0	1.25	27.27	S, US
100	3600	365TSC	LM15572	C/A	12,976	SD2B100TSC61Y	775	230/460	110	95.4	1.25	27.27	S, US
100	1800	404TC	171691.60	√	11,984	C404T17DK2	1141	208-230/460	225	95.4	1.15	32.76	C, CN
100	1800	404TSC	LM32788	√	12,818	SD4B100TSC1Y	898	230/460	130	95.4	1.25	29.16	S, US
125	3600	404TSC	LM17388	C/A	16,616	SD2B125TSC61Y	898	230/460	138	95.0	1.25	29.16	S, US
125	1800	405TSC	LM32657	√	13,382	SD4B125TSC61Y	974	230/460	153	95.4	1.25	30.66	S, US
125	1800	405TC	LM17389	C/A	13,382	SD4B125TC61Y	974	230/460	153	95.4	1.25	33.66	S, US
150	3600	405TSC	LM17390	C/A	19,556	SD2B150TSC61Y	974	230/460	169	94.1	1.25	30.66	S, US
150	1800	444TSC	LM32789	√	17,146	SD4B150TSC64Y	1298	460	170 *	95.8	1.25	33.50	S, US
200	3600	444TSC	LM13795	C/A	23,969	SD2B200TSC64Y	1298	460	216 *	95.8	1.25	33.50	S, US
200	1800	445TSC	LM32677	√	21,097	SD4B200TSC64Y	1470	460	233 *	96.2	1.25	35.50	S, US

Shaded model numbers are cast iron frame

♥ Note listing on inside back flap
Specifications are subject to change without notice

Green items are Premium Efficient

▼ LM Numbers are Lincoln Models

*FL. Amps at 460V

C/A - Check Availability



Tech Information

Single Phase
ODP Motors

Single Phase
TEFC Motors

Three Phase
ODP Motors

Three Phase
TEFC Motors

Inverter Duty
Motors

Severe Duty
Motors

Explosion Proof
Motors

Automotive
Duty Motors

Ultimate e® Series General Purpose Motors

Drip-Proof - General Purpose

Features:

- Meets or exceeds NEMA® Premium efficiencies
- 182T - 215T Models are rolled steel frame - also available through 286T frame
- Class F insulation
- Standard assembly F1, reversible to F2 by reassembly, 213T frame and higher
- UL Recognized, CSA Certified, CE Mark
- Three year warranty



Three Phase - Drip-Proof - Rigid Base

HP	SYN RPM 60 Hz	NEMA Frame	Catalog Number	Stock	List Price	Model Number	App. Wgt. (lbs)	Voltage	F. L. Amps @ 230 V	% F.L. Eff.	Service Factor	"C" Dim. (Inches)	♥ Notes
1 1/2	1200	182T	199685.00	√	794	C182T11DB10	70	230/460	4.4	86.5	1.15	13.72	S, CN
2	1200	184T	199686.00	√	807	C184T11DB10	82	230/460	5.8	87.5	1.15	14.72	S, CN
3	1800	182T	199687.00	√	701	C182T17DB62	76	230/460	7.6	90.2	1.15	13.72	S, CN
3	1200	213T	199688.00	D	1,106	C213T11DB12	135	230/460	8.8	87.5	1.15	17.52	S, CN
3	1200	213T	B199688.00	√	1,106	C213T11DB13	130	230/460	8.6	87.5	1.15	17.52	S, CN
5	3600	182T	199689.00	√	739	C182T34DB8	68	230/460	12.4	87.5	1.15	13.72	S, CN
5	1800	184T	199690.00	√	789	C184T17DB84	86	230/460	12.8	89.5	1.15	14.72	S, CN
5	1200	215T	199691.00	D	1,288	C215T11DB10	195	230/460	14.0	89.5	1.15	17.52	S, CN
5	1200	215T	B199691.00	√	1,288	C215T11DB11	193	230/460	14.0	89.5	1.15	17.52	S, CN
7 1/2	3600	184T	199692.00	√	909	C184T34DB17	87	230/460	18.0	88.5	1.15	14.72	S, CN
7 1/2	1800	213T	199693.00	D	1021	C213T17DB49	128	230/460	19.0	91.7	1.15	17.52	S, CN
7 1/2	1800	213T	B199693.00	√	1021	C213T17DB50	128	230/460	19.3	91.7	1.15	17.52	S, CN
7 1/2	1200	254T	B199694.00	√	1,611	C254T11DB47	230	230/460	20.2	90.2	1.15	22.64	S, CN
10	3600	213T	199695.00	D	1,166	C213T34DB48	125	230/460	23.0	89.5	1.15	17.52	S, CN
10	3600	213T	B199695.00	√	1,166	C213T34DB49	125	230/460	24.0	89.5	1.15	17.52	S, CN
10	1800	215T	199696.00	D	1,205	C215T17DB58	150	230/460	25.6	91.7	1.15	17.52	S, CN
10	1800	215T	B199696.00	√	1,205	C215T17DB59	210	230/460	24.9	91.7	1.15	17.52	S, CN
10	1200	256T	199697.00	D	2,008	C256T11DB48	305	230/460	27.6	91.7	1.15	24.22	C, CN
10	1200	256T	B199697.00	√	1,907	C256T11DB49	285	230/460	25.5	91.7	1.15	24.22	S, CN
15	3600	215T	199698.00	D	1,708	C215T34DB6	184	230/460	35.0	91.0	1.15	17.52	S, CN
15	3600	215T	B199698.00	√	1,708	C215T34DB7	184	230/460	35.8	91.0	1.15	17.52	S, CN
15	1800	254T	199699.00	D	1,954	C254T17DB46	310	230/460	36.5	93.0	1.15	22.64	C, CN
15	1800	254T	B199699.00	√	1,857	C254T17DB47	285	230/460	36.8	93.0	1.15	22.64	S, CN
15	1200	284T	B199700.00	√	2,513	C284T11DB10	395	230/460	40.3	91.7	1.15	22.64	S, CN
20	3600	254T	199701.00	D	1,968	C254T34DB6	300	230/460	45.0	91.7	1.15	22.64	C, CN
20	3600	254T	B199701.00	√	1,869	C254T34DB7	280	230/460	48.4	91.7	1.15	22.64	S, CN
20	1800	256T	199702.00	D	2,065	C256T17DB12	360	230/460	48.0	93.0	1.15	24.22	C, CN
20	1800	256T	B199702.00	√	1,963	C256T17DB13	340	230/460	48.0	93.0	1.15	24.22	S, CN
20	1200	286T	199703.00	D	3,222	C286T11DB7	457	230/460	54.0	92.4	1.15	27.09	C, CN
20	1200	286T	B199703.00	√	3,061	C286T11DB8A	425	230/460	52.0	92.4	1.15	27.09	S, CN

Shaded model numbers are cast iron frame

Continued on next page

Green items are Premium Efficient

D - Item to be discontinued once inventory is depleted

*Amps at 460 volts

♥ Note listing on inside back flap
Specifications are subject to change without notice



Ultimate e® Series General Purpose Motors

Drip-Proof - General Purpose

Tech Information

Single Phase
ODP Motors

Single Phase
TEFC Motors

Three Phase
ODP Motors

Three Phase
TEFC Motors

Inverter Duty
Motors

Severe Duty
Motors

Explosion Proof
Motors

Automotive
Duty Motors

Three Phase - Drip-Proof - Rigid Base

HP	SYN RPM 60 Hz	NEMA Frame	Catalog Number	Stock	List Price	Model Number	App. Wgt. (lbs)	Voltage	F. L. Amps @ 230 V	% FL. Eff.	Service Factor	"C" Dim. (Inches)	♥Notes
25	3600	256T	199704.00	D	2,505	C256T34DB10	315	230/460	55.0	91.7	1.15	24.22	C, CN
25	3600	256T	B199704.00	√	2,380	C256T34DB11	295	230/460	59.4	91.7	1.15	24.22	S, CN
25	1800	284T	199705.00	D	2,438	C284T17DB11	424	230/460	62.0	93.6	1.15	25.71	C, CN
25	1800	284T	B199705.00	√	2,315	C284T17DB12	400	230/460	70.5	93.6	1.15	25.71	S, CN
25	1200	324T	199706.00	D	3,838	C324T11DB7	695	230/460	68.0	93.0	1.15	28.55	C, CN
25	1200	324T	B199706.00	√	3,838	C324T11DB8		230/460	65.0	93.0	1.15	28.55	S, CN
30	3600	284TS	199707.00	D	3,099	C284T34DB9	396	230/460	66.5	91.7	1.15	24.41	C, CN
30	3600	284TS	B199707.00	√	2,943	C284T34DB10	370	230/460	71.0	91.7	1.15	24.41	S, CN
30	1800	286T	199708.00	D	2,812	C286T17DB14	483	230/460	74.0	94.1	1.15	27.09	C, CN
30	1800	286T	B199708.00	√	2,672	C286T17DB15	460	230/460	71.9	94.1	1.15	27.09	S, CN
30	1200	326T	199709.00	D	4,498	C326T11DB7	760	230/460	81.0	93.6	1.15	29.73	C, CN
30	1200	326T	B199709.00	√	4,498	C326T11DB8		230/460	75.0	93.6	1.15	29.73	S, CN
40	3600	286TS	199710.00	D	3,730	C286T34DB6	452	230/460	89.0	92.4	1.15	25.79	C, CN
40	3600	286TS	B199710.00	√	3,632	C286T34DB7	425	230/460	93.2	92.4	1.15	25.79	S, CN
40	1800	324T	199711.00	√	3,535	C324T17DB12	615	230/460	95.0	94.5	1.15	28.55	C, CN
40	1200	364T	199712.00	√	5,774	C364T11DB8	540	230/460	97.0	94.1	1.15	31.69	C, CN
50	3600	324TS	199713.00	√	4,546	C324T34DB6	644	230/460	114.0	93.0	1.15	27.05	C, CN
50	1800	326T	199714.00	√	4,212	C326T17DB9	556	230/460	118.0	94.5	1.15	29.73	C, CN
50	1200	365T	199715.00	√	6,647	C365T11DB6	754	230/460	120.0	94.1	1.15	33.27	C, CN
60	3600	326TS	199716.00	√	5,441	C326T34DB8	556	230/460	134.0	93.6	1.15	28.23	C, CN
60	1800	364T	199717.00	√	5,007	C364T17DB8	595	230/460	139.0	95.0	1.15	31.69	C, CN
60	1200	404T	199718.00	√	7,998	C404T11DB7	838	230/460	144.0	94.5	1.15	37.20	C, CN
75	3600	364TS	199719.00	√	7,187	C364T34DB5	617	230/460	166.0	93.6	1.15	29.57	C, CN
75	1800	365T	199720.00	√	5,997	C365T17DB8	805	230/460	174.0	95.0	1.15	33.27	C, CN
75	1200	405T	199721.00	√	9,831	C405T11DB8	1102	230/460	180.0	94.5	1.15	38.78	C, CN
100	3600	365TS	199722.00	√	8,795	C365T34DB7	760	230/460	222.0	93.6	1.15	31.14	C, CN
100	1800	404T	199723.00	√	7,819	C404T17DB8	940	230/460	226.0	95.4	1.15	37.20	C, CN
100	1200	444T	199724.00	√	12,204	C444T11DB6	1190	230/460	232.0	95.0	1.15	44.57	C, CN
125	3600	404TS	199725.00	√	10,522	C404T34DB5	866	460	138*	94.1	1.15	35.45	C, CN
125	1800	405T	199726.00	√	9,897	C405T17DB8	1179	460	140*	95.4	1.15	38.78	C, CN
125	1200	445T	199727.00	√	16,015	C445T11DB8	1666	460	145*	95.0	1.15	44.57	C, CN
150	3600	405TS	199728.00	√	12,312	C405T34DB4	1058	460	164*	94.1	1.15	35.45	C, CN
150	1800	444T	199729.00	√	13,287	C444T17DB7	1274	460	168*	95.8	1.15	44.57	C, CN
150	1200	447T	199730.00	√	16,468	C447T11DB3	1815	460	172*	95.4	1.15	49.69	C, CN
200	3600	444TS	199731.00	√	19,152	C444T34DB2	1146	460	215*	95.0	1.15	40.83	C, CN
200	1800	445T	199732.00	√	16,672	C445T17DB18	1843	460	220*	95.8	1.15	44.57	C, CN
200	1200	449T	199733.00	√	20,997	C449T11DB1	2021	460	228*	95.4	1.15	49.96	C, CN

Shaded model numbers are cast iron frame

Continued on next page

Green items are Premium Efficient

D - Item to be discontinued once inventory is depleted

*Amps at 460 volts

♥ Note listing on inside back flap
Specifications are subject to change without notice



Ultimate e® Series General Purpose Motors

Drip-Proof - General Purpose

Three Phase - Drip-Proof - C Face With Base

HP	SYN RPM 60 Hz	NEMA Frame	Catalog Number	Stock	List Price	Model Number	App. Wgt. (lbs)	Voltage	F. L. Amps @ 230 V	% F.L. Eff.	Service Factor	"C" Dim. (Inches)	Notes
3	1800	182TC	199735.00	✓	812	C182T17DK42	77	230/460	76	90.2	1.15	14.45	S, CN
5	3600	182TC	199736.00	✓	853	C182T34DK18	128	230/460	12.4	87.5	1.15	14.45	S, CN
5	1800	184TC	199737.00	✓	955	C184T17DK42	88	230/460	12.8	89.5	1.15	15.46	S, CN
7 1/2	3600	184TC	199738.00	✓	1,036	C184T34DK26	145	230/460	18.0	88.5	1.15	15.46	S, CN
7 1/2	1800	213TC	199739.00	D	1,195	C213T17DK45	162	230/460	19.0	91.7	1.15	18.10	S, CN
7 1/2	1800	213TC	B199739.00	✓	1,195	C213T17DK45	152	230/460	19.3	91.7	1.15	18.10	S, CN
10	3600	213TC	199740.00	D	1,383	C213T34DK47	152	230/460	23.0	89.5	1.15	18.10	S, CN
10	3600	213TC	B199740.00	✓	1,383	C213T34DK47	140	230/460	24.0	89.5	1.15	18.10	S, CN
10	1800	215TC	199741.00	D	1,401	C215T17DK45	223	230/460	25.6	91.7	1.15	18.10	S, CN
10	1800	215TC	B199741.00	✓	1,401	C215T17DK45	205	230/460	24.9	91.7	1.15	17.52	S, CN
15	3600	215TC	199742.00	D	1,955	C215T34DK46	187	230/460	35.0	91.0	1.15	18.10	S, CN
15	3600	215TC	B199742.00	✓	1,955	C215T34DK46	175	230/460	35.8	91.0	1.15	18.10	S, CN
15	1800	254TC	199743.00	D	2,279	C254T17DK11	314	230/460	36.5	93.0	1.15	23.00	C, CN
15	1800	254TC	B199743.00	✓	2,165	C254T17DK11	285	230/460	36.8	93.0	1.15	23.14	S, CN
20	3600	254TC	199744.00	D	2,466	C254T34DK8	305	230/460	45.0	91.7	1.15	23.00	C, CN
20	3600	254TC	B199744.00	✓	2,344	C254T34DK8	280	230/460	48.4	91.7	1.15	23.14	S, CN
20	1800	256TC	199745.00	D	2,737	C256T17DK7	365	230/460	48.0	93.0	1.15	24.60	C, CN
20	1800	256TC	B199745.00	✓	2,600	C256T17DK7	340	230/460	48.0	93.0	1.15	24.72	S, CN
25	3600	256TC	199746.00	D	2,893	C256T34DK7	321	230/460	55.0	91.7	1.15	24.60	C, CN
25	3600	256TC	B199746.00	✓	2,748	C256T34DK7	295	230/460	59.4	91.7	1.15	24.72	S, CN
25	1800	284TC	199747.00	D	3,182	C284T17DK5	430	230/460	62.0	93.6	1.15	25.71	C, CN
25	1800	284TC	B199747.00	✓	3,023	C284T17DK5	400	230/460	61.7	93.6	1.15	25.71	S, CN
30	3600	284TSC	199748.00	D	3,558	C284T34DK3	401	230/460	66.5	91.7	1.15	24.41	C, CN
30	3600	284TSC	B199748.00	✓	3,380	C284T34DK3	370	230/460	71.0	91.7	1.15	24.34	S, CN
30	1800	286TC	199749.00	D	3,843	C286T17DK6	488	230/460	74.0	94.1	1.15	27.09	C, CN
30	1800	286TC	B199749.00	✓	3,651	C286T17DK6	460	230/460	74.0	94.1	1.15	27.09	S, CN
40	3600	286TSC	199750.00	D	4,271	C286T34DK3	456	230/460	89.0	92.4	1.15	25.79	C, CN
40	3600	286TSC	B199750.00	✓	4,135	C286T34DK3	xxxx	230/460	xxxx	92.4	1.15	xxxx	S, CN
40	1800	324TC	199751.00	✓	4,475	C324T17DK11	595	230/460	95	94.5	1.15	28.55	C, CN
50	3600	324TSC	199752.00	✓	5,197	C324T34DK3	595	230/460	114	93.0	1.15	27.05	C, CN
50	1800	326TC	199753.00	✓	5,147	C326T17DK5	628	230/460	118	94.5	1.15	29.73	C, CN
60	3600	326TSC	199754.00	✓	6,228	C326T34DK1	650	230/460	134	93.6	1.15	28.23	C, CN
60	1800	364TC	199755.00	✓	6,905	C364T17DK5	849	230/460	139	95.0	1.15	31.69	C, CN
75	3600	364TSC	199756.00	✓	8,189	C364T34DK1	798	230/460	166	93.6	1.15	29.57	C, CN
75	1800	365TC	199816.00	✓	7,275	C365T17DK3	970	230/460	174	95.0	1.15	33.27	C, CN
100	3600	365TSC	199758.00	✓	10,018	C365T34DK1	915	230/460	222	93.6	1.15	31.14	C, CN
100	1800	404TC	199759.00	✓	9,844	C404T17DK3	1239	230/460	226	95.4	1.15	37.20	C, CN

Shaded model numbers are cast iron frame

♥ Note listing on inside back flap
Specifications are subject to change without notice

Green items are Premium Efficient

D - Item to be discontinued once inventory is depleted



Three Phase ODP Motors

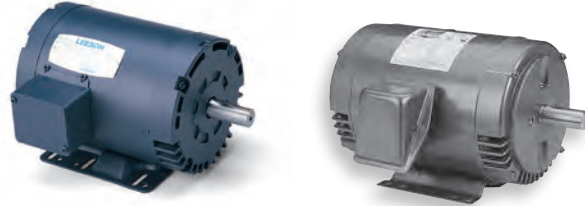
Compressor, Pump and Fan & Blower Duty

General Specifications:

Motors designed for air compressor, pump, fan and blower duty applications which require high breakdown torque and rugged mechanical construction.

Mechanical Features:

- Double shielded ball bearings
- Designed for belted loads
- Class F Insulation



Three Phase - Drip-Proof - Rigid Base

HP	RPM 60 Hz	NEMA Frame	▼ Catalog Number	Stock	List Price	Model Number	App. Wgt. (lbs)	Voltage	F. L. Amps @ 230 V	% FL. Eff.	Service Factor	"C" Dim. (Inches)	♥Notes
1	1800	143T	121003.00	√	711	C143T17DB10	36	208-230/460	3.2	85.5	1.25	12.10	S, US
1	1800	143T	LM24871	√	587	SSD4B1T6	35	230/460	3.2	85.5	1.25	12.00	S, MX
1 1/2	1800	145T	121004.00	√	742	C145T17DB32	35	208-230/460	4.8	86.5	1.25	12.60	S, US
1 1/2	1800	145T	LM24875	√	614	SSD4B1.5T6	45	230/460	4.4	86.5	1.25	13.00	S, MX
2	1800	145T	121005.00	√	841	C145T17DB33	37	208-230/460	5.8	86.5	1.25	13.60	S, US
2	1800	145T	LM24169	√	680	SSD4B2T6	48	230/460	6.0	86.5	1.25	11.50	S, MX
3	1800	182T	131519.00	√	860	C182T17DB37	75	208-230/460	7.8	89.5	1.25	13.70	S, MX
3	1800	182T	LM24222	√	885	SSD4B3T61	75	230/460	8.0	89.5	1.25	13.20	S, MX
5	1800	184T	131520.00	√	969	C184T17DB44	86	230/460	12.8	89.5	1.25	14.70	S, MX
5	1800	184T	LM24202	√	993	SSD4B5T61	91	230/460	12.6	89.5	1.25	14.20	S, MX
7 1/2	1800	213T	140470.00	√	1,216	C213T17DB2	133	230/460	20.6	91.0	1.25	16.30	S, MX
7 1/2	1800	213T	LM24194	√	1,398	SSD4B7.5T6	125	230/460	19.2	91.0	1.25	18.50	S, US
10	1800	215T	140472.00	√	1,437	C215T17DB15	144	230/460	26.8	91.7	1.25	17.30	S, MX
10	1800	215T	LM24193	√	1,562	SSD4B10T6	155	230/460	25.0	91.7	1.25	18.50	S, MX
20	1800	256T	170006.60	√	2,475	C256T17DB5	324	208-230/460	51.0	93.0	1.25	22.60	C, CN
20	1800	256T	LM24199	√	2,687	CCD4B20T6	350	230/460	48.0	93.0	1.25	24.40	C, US

Shaded model numbers are cast iron frame

Green items are Premium Efficient

▼ LM Numbers are Lincoln Models

♥ Note listing on inside back flap
Specifications are subject to change without notice



Tech Information

Single Phase
ODP Motors

Single Phase
TEFC Motors

Three Phase
ODP Motors

Three Phase
TEFC Motors

Inverter Duty
Motors

Severe Duty
Motors

Explosion Proof
Motors

Automotive
Duty Motors

Three Phase ODP Motors

F2 Conduit Box Mount Motors - General Purpose

Tech Information

Single Phase ODP Motors

Single Phase TEFC Motors

Three Phase ODP Motors

Three Phase TEFC Motors

Inverter Duty Motors

Severe Duty Motors

Explosion Proof Motors

Automotive Duty Motors

Three Phase - ODP - Rigid Base

HP	SYN RPM 60 Hz	NEMA Frame	Catalog Number	Stock	List Price	Model Number	App. Wgt. (lbs)	Voltage	Over-load Prot.	F. L. Amps @ 230 V	Service Factor	"C" Dim. (Inches)	♥Notes
3	1800	182T	132232.00	√	873	C182T17DB57	75	230/460	7.2	1.15	89.5	13.70	S, MX
5	1800	184T	132233.00	C/A	969	C184T17DB77	86	230/460	12.8	1.15	89.5	14.70	S, MX
7 1/2	1800	213T	140831.00	C/A	1,216	C213T17DB14	133	230/460	20.6	1.15	91.0	16.30	S, MX

Green items are Premium Efficient

C/A - Check Availability

♥ Note listing on inside back flap Specifications are subject to change without notice

Three Phase - Automatic Overload Protected Motors

General Specifications:

- General purpose
- Automatic reset protection
- Not for use with variable frequency inverters



Three Phase - Drip-Proof - Rigid Base

HP	SYN RPM 60 Hz	NEMA Frame	Catalog Number	Stock	List Price	Model Number	App. Wgt. (lbs)	Voltage	Over-load Prot.	F. L. Amps @ 230 V	Service Factor	% FL. Eff.	"C" Dim. (Inches)	♥Notes
3	1800	182T	132234.00	√	1,036	U182T17DB61	58	230/460	Auto	8.4	1.15	86.5	12.69	S, MX
5	1800	184T	132235.00	C/A	1,163	U184T17DB82	78	230/460	Auto	13.2	1.15	87.5	13.69	S, MX

Green items are Premium Efficient

C/A - Check Availability

♥ Note listing on inside back flap Specifications are subject to change without notice



Three Phase Motors Totally Enclosed

Three Phase Motors – General Purpose – Totally Enclosed –
208-230/460V & 460V Rigid Mount – 1/4 HP – 400 HP
Steel Frame – Cast Iron Frame – Aluminum Frame

Ultimate e[®] Motors
see pages 73-77



- Standard, EPC and premium efficient ratings
- Inverter-rated
- Class B insulation systems – 42, 48 and 56 frames
- Class F insulation system – 140 frame and higher
- Shielded ball bearings for direct coupled applications
Contact your local sales office for belted load applications
- Continuous duty
- Dynamically balanced rotors
- 1-year warranty on standard efficient motors
- 2-year warranty on EPC efficient motors
- 3-year warranty on Premium efficient motors
- Torques exceed NEMA performance standards
- UL recognized and CSA certified
- WATTSaver[®]e Premium efficient motors
- Ultimate e Premium efficient motors



Applications:

For use where exposure to water, dust and corrosives exists. Ideally suited for use on pumps, compressors, fans, blowers, conveyors, machine tools and other industrial applications.

LEESON [®] Cast Iron WATTSaver e Motors	LEESON Ultimate e Motors
Standard Features	
3 HP - 250 HP	1.5 HP - 200 HP
N/C Thermostats	N/A
3-Year Warranty	3-Year Warranty
IRIS [®] Inverter Insulation System	Standard Insulation System
10:1 Constant Torque Operation	10:1 Constant Torque Operation
Ring Terminals on Leads	N/A
TEFC Enclosure	TEFC Enclosure
ODP Enclosure	ODP Enclosure
Chemical Resistant Paint	Enamel Paint
Cast Iron Conduit Box	Stamped Steel Conduit Box
Options	
C-Face Kits	C-Face Kits
D-Flange Kits	N/A
Encoder Mounting Provisions	N/A
Blower Kit Option	N/A
F-2 Mounting by re-assembly	F-2 Mounting by re-assembly
213-5T and 254-6T Frame Brake Kits	N/A
Cast Iron Fan Guards	N/A
SGR mounting provisions	SGR mounting provisions

Three Phase - TEFC - Rigid Base

HP	SYN RPM 60 Hz	NEMA Frame	▼ Catalog Number	Stock	List Price	Model Number	App. Wgt. (lbs)	Voltage	F. L. Amps @ 230 V	% FL. Eff.	Service Factor	"C" Dim. (Inches)	♥Notes
1/4	1800	48	101646.00	√	368	C4T17FB9	18	208-230/460	1.4	58.0	1.15	9.31	S, MX
1/4	1800	48	LM24929	√	388	SPF4S0.25T61	17	208-230/460	1.3	62.5	1.15	9.59	S, MX
1/3	3600	48	102684.00	√	370	C4T34FB5	18	208-230/460	1.4	68.0	1.00	8.81	S, US
1/3	1800	48	101647.00	√	441	C4T17FB10	21	208-230/460	1.6	64.3	1.15	9.31	S, MX
1/3	1800	S56	101079.00	√	405	C4T17FH6	22	208-230/460	1.6	64.3	1.15	9.69	S, MX
1/3	1800	S56	LM24107	C/A	433	SRF4S0.33T61	16	208-230/460	1.6	65.5	1.15	10.22	S, MX
1/3	1800	S56	103019.00	√	591	C4T17FH12	24	208-230/460	1.3	77.0	1.25	10.19	S, MX
1/3	1200	56	110441.00	√	636	C6T11FB5	23	208-230/460	1.6	65.0	1.15	10.81	S, US
1/2	3600	48	100905.00	√	434	C4T34FB2	18	208-230/460	1.8	69.0	1.00	9.94	S, US
1/2	3600	56	LM24165	C/A	448	SRF2S0.5T61	22	208-230/460	2.2	69.0	1.15	11.82	S, US
1/2	1800	48	100961.00	√	517	C4T17FB4	21	208-230/460	2.0	73.0	1.15	9.56	S, MX
1/2	1800	S56	100913.00	√	463	C4T17FH1	24	208-230/460	2.0	73.0	1.15	9.94	S, MX
1/2	1800	S56	LM24073	√	495	SRF4S0.5T61	18	208-230/460	2.2	70.0	1.15	10.72	S, MX
1/2	1800	S56	103020.00	√	627	C4T17FH13	27	208-230/460	1.8	77.0	1.25	10.69	S, MX
1/2	1200	56	110353.00	√	686	C6T11FB2	26	208-230/460	2.4	70.0	1.15	11.31	S, US
1/2	1200	56	LM24105	√	717	SRF6S0.5T61	24	208-230/460	2.7	68.0	1.15	11.82	S, MX
1/2	900	56	114618.00	√	1,023	C6T8FB11	31	208-230/460	2.4	69.0	1.15	11.81	S, US
1/2	900	143T	LM24291	C/A	1,067	SSF8S0.5T61	31	208-230/460	2.6	66.0	1.15	13.37	S, US
3/4	3600	48	100960.00	√	477	C4T34FB3	21	208-230/460	2.4	79.0	1.00	10.44	S, US
3/4	3600	56	110313.00	√	477	C6T34FB2	22	208-230/460	2.4	75.5	1.15	10.81	S, US
3/4	3600	56	LM24133	√	495	SRF2S0.75T61	23	208-230/460	3.2	74.0	1.15	11.82	S, US
3/4	1800	56	110034.00	√	493	C6T17FB1	22	208-230/460	2.8	77.0	1.15	10.81	S, US
3/4	1800	S56	LM24075	√	533	SRF4S0.75T61	30	208-230/460	2.8	75.5	1.15	11.22	S, MX
3/4	1800	56	116739.00	√	658	C6T17FB152	31	208-230/460	2.4	81.5	1.25	11.31	S, US
3/4	1200	56	110275.00	√	686	C6T11FB3	33	208-230/460	3.0	75.5	1.15	11.81	S, US
3/4	1200	56	LM24136	C/A	734	SRF6S0.75T61	28	208-230/460	3.2	74.0	1.15	12.32	S, MX
3/4	1200	143T	121009.00	√	700	C143T11FB2	34	208-230/460	3.0	75.5	1.15	12.75	S, US
3/4	1200	143T	LM24103	√	734	SSF6S0.75T61	29	208-230/460	3.2	74.0	1.15	12.37	S, MX
3/4	900	145T	121199.00	√	1,179	C145T8FB5	21	208-230/460	3.1	70.0	1.15	12.75	S, US
3/4	900	145T	LM24276	√	1,222	SSF8S0.75T61	49	208-230/460	4.8	70.0	1.15	14.87	S, US

Continued on next page

Green items are Premium Efficient

▼ LM Numbers are Lincoln Models
C/A - Check Availability

♥ Note listing on inside back flap
Specifications are subject to change without notice



Three Phase Motors

Totally Enclosed Fan Cooled

General Purpose - Standard,
EPA and Premium Efficient - Three Phase Motors

Ultimate e[®] Motors
see pages 73-77

Three Phase - TEFC - Rigid Base

HP	SYN RPM 60 Hz	NEMA Frame	▼Catalog Number	Stock	List Price	Model Number	App. Wgt. (lbs)	Voltage	F. L. Amps @ 230 V	% F.L. Eff.	Service Factor	"C" Dim. (Inches)	♥Notes
1	3600	56	110145.00	√	557	C6T34FB1	24	208-230/460	3.2	77.0	1.15	10.81	S, US
1	3600	56	116129.00	√	738	C6T34FB49	24	208-230/460	2.8	80.0	1.25	11.31	S, US
1	3600	56	LM34141	√	620	SRF2B1T61	27	208-230/460	3.0	77.0	1.15	11.82	S, US
1	1800	56H	116757.00	√	809	C6T17FB151	32	208-230/460	3.2	85.5	1.25	12.81	S, US
1	1800	56	LM34139	√	809	SRF4B1T61	32	208-230/460	3.3	85.5	1.15	14.33	S, MX
1	1800	143T	120921.00	√	809	C143T17FB13	32	208-230/460	3.2	85.5	1.25	13.25	S, US
1	1800	143T	LM32796	√	800	SSF4B1T61	41	208-230/460	3.2	85.5	1.25	12.93	S, MX
1	1800	143T	171640.60	√	868	C145T17FB25	61	208-230/460	3.2	85.5	1.15	13.46	C, CN
1	1800	143T	LM24102	√	889	CCN4BIT61	56	208-230/460	3.0	85.5	1.25	10.43	C, US
1	1200	56	119395.00	√	797	C6T11FB28	38	208-230/460	3.8	82.5	1.15	12.98	S, US
1	1200	56H	LM34140	√	797	SRF6B1T61	39	208-230/460	3.8	82.5	1.15	15.33	S, MX
1	1200	145T	121520.00	√	957	C145T11FB20	47	208-230/460	3.8	82.5	1.25	13.75	S, US
1	1200	145T	LM33121	√	917	SSF6B1T61	35	208-230/460	3.8	82.5	1.15	14.87	S, MX
1	1200	145T	171643.60	√	1,022	C145T11FB25	58	208-230/460	3.8	82.5	1.25	13.46	C, CN
1	900	182T	132428.00	√	1,525	C182T8FB14	70	208-230/460	4.2	82.5	1.15	—	S, MX
1 1/2	3600	56	116758.00	√	838	C6T34FB50B	33	208-230/460	4.0	84.0	1.25	12.81	S, US
1 1/2	3600	143T	121518.00	√	838	C143T34FB1	33	208-230/460	4.0	84.0	1.25	13.25	S, US
1 1/2	3600	143T	LM33122	√	838	SSF2B1.5T61	32	208-230/460	4.0	84.0	1.25	13.37	S, US
1 1/2	3600	143T	171642.60	√	898	C143T34FB5	49	208-230/460	4.0	84.0	1.15	13.46	C, CN
1 1/2	1800	56	116759.00	√	826	C6T17FB150	34	208-230/460	4.8	86.5	1.25	13.31	S, US
1 1/2	1800	56H	LM34142	√	826	SRF4B1.5T61	35	208-230/460	—	86.5	1.15	—	S, MX
1 1/2	1800	145T	120922.00	√	840	C145T17FB33	34	208-230/460	4.8	86.5	1.15	13.75	S, US
1 1/2	1800	145T	LM33123	√	840	SSF4B1.5T61	45	208-230/460	4.8	86.5	1.25	13.43	S, MX
1 1/2	1800	145T	171646.60	√	896	C145T17FB78	69	208-230/460	4.8	86.5	1.15	13.46	C, CN
1 1/2	1800	145T	LM25637	D	948	CCN4B1.5T61	62	208-230/460	4.4	84.0	1.25	11.43	C, US
1 1/2	1800	145T	LM34263	√	997	CCF4B1.5T61	67	208-230/460	4.6	86.5	1.00	13.99	C, US
1 1/2	1200	182T	131980.00	√	1,394	C182T11FB9	89	208-230/460	5.6	87.5	1.15	15.96	S, MX
1 1/2	1200	182T	LM33561	√	1,176	AAF6B1.5T61AP26	83	208-230/460	4.4	87.7	1.25	14.96	A, MX
1 1/2	900	184T	132429.00	√	1,813	C184T8FB7	72	208-230/460	5.7	78.9	1.15	14.96	S, MX
1 1/2	900	184T	LM33562	√	1,720	AAF8P1.5T61AP26	80	208-230/460	—	78.5	1.15	—	A, MX

Shaded model numbers are cast iron frame

Continued on next page

Green items are Premium Efficient

▼ LM Numbers are Lincoln Models

D - Item to be discontinued once inventory is depleted

♥ Note listing on inside back flap
Specifications are subject to change without notice

Three Phase - TEFC - Rigid Base

HP	SYN RPM 60 Hz	NEMA Frame	▼ Catalog Number	Stock	List Price	Model Number	App. Wgt. (lbs)	Voltage	F. L. Amps @ 230 V	% F.L. Eff.	Service Factor	"C" Dim. (Inches)	♥Notes
2	3600	56	116760.00	√	916	C6T34FB51	44	208-230/460	4.8	85.5	1.25	13.31	S, US
2	3600	145T	121519.00	√	916	C145T34FB33	44	208-230/460	4.8	85.5	1.25	13.75	S, US
2	3600	145T	LM33124	√	916	SSF2BT61	31	208-230/460	4.8	85.5	1.25	13.43	S, US
2	3600	145T	171648.60	√	979	C145T34FB37	56	208-230/460	4.8	85.5	1.25	13.46	C, CN
2	1800	56H	LM34144	√	874	SRF4B2T61	45	208-230/460	6.0	86.5	1.15	—	S, MX
2	1800	56H	116761.00	√	874	C6T17FB154	45	208-230/460	5.8	86.5	1.25	14.32	S, US
2	1800	145T	120923.00	√	874	C145T17FB32	45	208-230/460	5.8	86.5	1.25	14.76	S, US
2	1800	145T	LM33125	√	756	SSF4B2T61	41	208-230/460	6.5	86.5	1.25	13.93	S, MX
2	1800	145T	171647.60	√	933	C145T17FB79	68	208-230/460	5.8	86.5	1.15	13.46	C, CN
2	1800	145T	LM34264	√	998	CCF4B2T61	68	208-230/460	6.0	86.5	1.15	13.99	C, US
2	1200	184T	131981.00	√	1,419	C184T11FB20	89	208-230/460	7.2	88.5	1.15	15.96	S, MX
2	1200	184T	LM33563	√	1,219	AAF6B2T61AP26	92	208-230/460	6.0	88.5	1.25	14.96	A, MX
2	900	213T	141312.00	C/A	2,384	C213T8FB4	121	208-230/460	—	84.0	1.15	—	S, MX
2	900	213T	LM34145	√	2,416	AF8B2T61	108	208-230/460	—	84.0	1.15	—	A, US
3	3600	56H	119396.00	√	980	C6T34FB54	43	208-230/460	8.0	86.5	1.15	13.48	S, US, 6
3	3600	145T	121968.00	√	1,057	C145T34FB49	48	208-230/460	8.0	86.5	1.15	13.93	S, US
3	3600	182T	131985.00	√	1,137	C182T34FB72	66	208-230/460	7.6	86.5	1.25	13.96	S, MX
3	3600	182T	LM33564	√	1,448	AAF2B3T61AP26	83	208-230/460	7.6	87.5	1.25	14.96	A, MX
3	3600	182T	LM33262	C/A	1,137	SSF2B3T61	75	208-230/460	7.6	87.5	1.15	13.46	S, MX
3	1800	182T	131463.00	√	988	C182T17FB32	80	208-230/460	7.8	89.5	1.15	13.96	S, MX
3	1800	182T	LM33486	√	1,047	AAF4B3T61AP26	83	208-230/460	8.0	89.5	1.25	14.96	A, MX
3	1800	182T	LM32741	√	988	SSF4B3T61	77	208-230/460	7.8	89.5	1.15	13.96	S, MX
3	1800	182T	171320.60	√	1,108	C182T17FB42	108	208-230/460	7.8	89.5	1.15	15.89	C, CN
3	1200	213T	171378.60	√	1,570	C213T11FB1	166	208-230/460	9.4	89.5	1.15	18.19	C, CN
3	1200	213T	LM16030	√	1,729	AF6B3T61	127	208-230/460	9.0	89.5	1.15	17.20	A, US
3	1200	213T	LM34006	C/A	1,333	SSF6P3T61	113	208-230/460	8.8	89.5	1.15	18.73	S, MX
3	900	215T	825403.00	C/A	3,869	215TTFN16085	217	208-230/460	10	85.5	1.15	19.63	C, US

Shaded model numbers are cast iron frame

Continued on next page

Green items are Premium Efficient

▼ LM Numbers are Lincoln Models

C/A - Check Availability

♥ Note listing on inside back flap
Specifications are subject to change without notice



Three Phase Motors

Totally Enclosed Fan Cooled

Ultimate e[®] Motors
see pages 73-77

**General Purpose - Standard,
EPA and Premium Efficient - Three Phase Motors**

Three Phase - TEFC - Rigid Base

HP	SYN RPM 60 Hz	NEMA Frame	▼ Catalog Number	Stock	List Price	Model Number	App. Wgt. (lbs)	Voltage	F. L. Amps @ 230 V	% F.L. Eff.	Service Factor	"C" Dim. (Inches)	♥Notes
5	3600	184T	131987.00	√	1,271	C184T34FB20	88	208-230/460	12.0	88.5	1.25	16.46	S, MX
5	3600	184T	LM33565	√	1,551	AAF2BT61AP26	89	208-230/460	11.8	89.5	1.25	14.96	A, MX
5	3600	184T	LM15869	C/A	1,620	CCF2BT61	108	208-230/460	11.8	88.5	1.15	15.81	C, US
5	1800	184T	131464.00	√	1,087	C184T17FB42	87	208-230/460	12.8	89.5	1.15	14.96	S, MX
5	1800	184T	LM33487	√	1,224	AAF4B5T61AP26	87	208-230/460	12.4	90.2	1.25	14.96	A, MX
5	1800	184T	171322.60	√	1,153	C184T17FB43	112	208-230/460	12.8	89.5	1.25	16.80	C, CN
5	1200	215T	171379.60	√	1,749	C215T11FB1	176	208-230/460	14.4	89.5	1.25	19.61	C, CN
5	1200	215T	LM16033	√	2,005	AF6B5T61	138	208-230/460	13.8	89.5	1.15	18.70	A, US
5	1200	215T	LM32802	√	1,727	SSF6BT61	140	208-230/460	14.0	90.2	1.15	20.23	S, US
5	900	254T	G151355.22	√	4,163	C254T8FB5	188	208-230/460	14.4	88.3	1.15	23.23	C, CA
5	900	254T	LM32803	√	2,843	AF8P5T61	159	208-230/460	15.0	87.5	1.15	23.40	A, US
7 1/2	3600	213T	170158.60	√	1,621	C213T34FB42	156	208-230/460	18.0	91.0	1.25	18.19	C, CN
7 1/2	3600	213T	LM28968	√	1,833	AF2B75T61	127	208-230/460	17.8	91.7	1.25	20.65	A, US
7 1/2	3600	213T	140756.00	√	1,533	C213T34FB1	156	208-230/460	17.8	90.2	1.15	19.84	S, MX
7 1/2	1800	213T	140450.00	√	1,396	C213T17FB6	153	208-230/460	21.4	91.7	1.25	18.70	S, MX
7 1/2	1800	213T	LM32805	√	1,289	SSF4B75T61	144	208-230/460	19.4	91.7	1.15	20.23	S, US
7 1/2	1800	213T	LM16029	√	1,926	AF4B75T61	127	208-230/460	19.2	91.1	1.25	18.70	A, US
7 1/2	1800	213T	170157.60	√	1,541	C213T17FB43	158	208-230/460	18.6	91.7	1.25	18.19	C, CN
7 1/2	1800	213T	LM24209	√	1,644	CCF4B75T61	180	208-230/460	19.2	91.7	1.25	19.70	C, US
7 1/2	1200	254T	170122.60	√	2,279	C254T11FB3	259	208-230/460	22.2	91.7	1.25	23.19	C, CN
7 1/2	1200	254T	LM15672	√	2,945	AF6B75T61	209	208-230/460	19.8	91.0	1.25	23.40	A, US
7 1/2	900	256T	G151356.22	√	4,961	C256T8FB42	300	208-230/460	20.0	87.7	1.15	24.96	C, CA
7 1/2	900	256T	LM32807	√	3,364	AF8B75T61	195	208-230/460	23.0	86.5	1.15	25.15	A, US

Shaded model numbers are cast iron frame

Continued on next page

Green items are Premium Efficient

▼ LM Numbers are Lincoln Models
C/A - Check Availability

♥ Note listing on inside back flap
Specifications are subject to change without notice

Three Phase - TEFC - Rigid Base

HP	SYN RPM 60 Hz	NEMA Frame	▼ Catalog Number	Stock	List Price	Model Number	App. Wgt. (lbs)	Voltage	F. L. Amps @ 230 V	% F.L. Eff.	Service Factor	"C" Dim. (Inches)	♥ Notes
10	3600	215T	140755.00	√	1,779	C215T34FB11	170	208-230/460	23.6	91.7	1.15	21.09	S, MX
10	3600	215T	LM32808	√	1,929	SSF2B10T61	172	208-230/460	23.6	91.7	1.15	21.48	S,US
10	3600	215T	170159.60	√	1,921	C215T34FB47	181	208-230/460	23.4	91.7	1.25	19.61	C, CN
10	3600	215T	LM16031	√	2,029	AF2B10T61	185	208-230/460	23.6	91.7	1.25	19.70	A, US
10	1800	215T	140451.00	√	1,688	C215T17FB18	161	208-230/460	26.6	91.7	1.25	19.70	S, MX
10	1800	215T	LM32809	√	1,591	SSF4B10T61	168	208-230/460	26.0	91.7	1.25	21.48	S, US
10	1800	215T	170140.60	√	1,840	C215T17FB43	196	208-230/460	25.0	91.7	1.25	19.61	C, CN
10	1800	215T	LM16032	√	2,042	AF4B10T61	160	208-230/460	26.9	91.7	1.25	18.70	A, US
10	1200	256T	170123.60	√	3,260	C256T11FB4	310	208-230/460	29.0	91.7	1.25	24.92	C, CN
10	1200	256T	LM15675	√	3,462	AF6B10T61	236	208-230/460	26.2	91.0	1.25	25.15	A, US
10	900	284T	G150282.22	√	5,763	C284T8FB2	346	208-230/460	26.0	90.2	1.15	26.26	C, CA
15	3600	215T	170615.60	√	2,415	C215T34FB13	223	208-230/460	35.0	92.4	1.15	19.61	C, CN
15	3600	254T	170062.60	√	2,609	C254T34FB4	292	208-230/460	35.0	92.4	1.25	23.19	C, CN
15	3600	254T	LM15670	√	2,782	AAF2B15T61	215	208-230/460	35.0	91.7	1.25	23.40	A, US
15	1800	254T	170066.60	√	2,490	C254T17FB10	290	208-230/460	36.0	92.4	1.25	23.19	C, CN
15	1800	254T	LM15671	√	2,460	AAF4B15T61	209	208-230/460	37.5	92.4	1.25	23.40	A, US
15	1800	254T	LM24208	√	2,781	CCF4B15T61	322	208-230/460	37.5	92.4	1.25	23.52	C, US
15	1200	284T	170068.60	√	4,473	C284T11FB4	380	208-230/460	40.6	92.4	1.25	26.26	C, CN
15	900	286T	G150261.22	√	6,331	G150261.22	480	208-230/460	40.0	91.0	1.15	27.83	C, CA
20	3600	256T	170033.60	√	3,190	C256T34FB10	332	208-230/460	46.0	92.4	1.15	24.92	C, CN
20	3600	256T	LM15673	√	3,244	AF2B0T61	325	208-230/460	47.0	92.4	1.25	25.15	A, US
20	1800	256T	170007.60	√	3,115	C256T17FB4	332	208-230/460	49.0	93.0	1.15	24.92	C, CN
20	1800	256T	LM15674	√	3,087	AAF4B20T61	295	208-230/460	48.0	93.0	1.25	25.15	A, US
20	1200	286T	170001.60	√	5,593	C286T11FB6	406	208-230/460	54.0	91.7	1.15	27.83	C, CN
20	900	324T	G150263.22	C/A	7,613	C324T8FB3	640	208-230/460	54.0	91.0	1.15	29.53	C, CA
25	3600	284TS	170035.60	√	4,148	C284T34FB5	393	208-230/460	56.8	93.0	1.15	24.88	C,CN
25	3600	284TS	LM13960	√	4,926	AF2B25TS61Y	385	208-230/460	56.0	92.4	1.25	25.25	A,US
25	3600	284T	LM32811	C/A	4,926	AF2B25T61Y	433	208-230/460	56.0	92.4	1.25	26.62	A,US
25	1800	284T	170011.60	√	3,917	C284T17FB5	395	208-230/460	59.0	93.6	1.15	26.26	C,CN
25	1800	284T	LM13961	√	4,188	AF4B25T61Y	495	208-230/460	64.0	93.6	1.25	26.62	A,US
25	1200	324T	170003.60	√	6,546	C324T11FB3	555	208-230/460	66.0	93.0	1.15	29.53	C,CN
25	900	326T	G150265.22	C/A	8,877	C326T8FB2	700	208-230/460	63.0	90.2	1.15	31.02	C,CA
30	3600	286TS	170037.60	√	4,896	C286T34FB4	423	208-230/460	67.0	93.0	1.15	26.46	C,CN
30	3600	286T	LM32813	√	5,376	AF2B30T61Y	438	208-230/460	66.0	92.4	1.25	28.12	A,US
30	1800	286T	170015.60	√	4,564	C286T17FB5	442	208-230/460	70.0	94.1	1.15	27.83	C,CN
30	1800	286T	LM13964	√	4,807	AF4B30T61Y	426	208-230/460	75.0	93.6	1.25	28.12	A,US
30	1200	326T	170005.60	√	7,347	C326T11FB3	624	208-230/460	77.0	93.6	1.15	31.02	C,CN

Shaded model numbers are cast iron frame

Continued on next page

Green items are Premium Efficient

▼ LM Numbers are Lincoln Models

C/A - Check Availability

♥ Note listing on inside back flap
Specifications are subject to change without notice



Three Phase Motors Totally Enclosed Fan Cooled

Ultimate e[®] Motors
see pages 73-77

**General Purpose - Standard,
EPAct and Premium Efficient - Three Phase Motors**

Three Phase - TEFC - Rigid Base

HP	SYN RPM 60 Hz	NEMA Frame	▼ Catalog Number	Stock	List Price	Model Number	App. Wgt. (lbs)	Voltage	F. L. Amps @ 230 V	% F.L. Eff.	Service Factor	"C" Dim. (Inches)	♥Notes
40	3600	324TS	170039.60	√	6,106	C324T34FB3	510	208-230/460	89.0	93.6	1.25	28.03	C, CN
40	3600	324T	LM32671	C/A	7,935	SF2B40T61Y	535	208-230/460	88.0	93.6	1.25	28.50	S, US
40	1800	324T	170019.60	√	6,062	C324T17FB5	539	208-230/460	92.0	94.1	1.15	29.53	C, CN
40	1800	324T	LM13699	√	9,529	SF4B40T61Y	504	208-230/460	101.0	94.1	1.25	28.50	S, US
40	1800	324TS	LM32686	C/A	9,529	SF4B40TS61Y	504	208-230/460	101.0	94.1	1.25	27.00	S, US
40	1200	364T	170096.60	√	10,070	C364T11FB4	788	208-230/460	102.0	94.1	1.15	32.64	C, CN
50	3600	326TS	170041.60	√	7,416	C326T34FB4	564	208-230/460	111.0	94.5	1.25	29.53	C, CN
50	3600	326T	LM32669	C/A	9,468	SF2B50T61Y	558	208-230/460	111.0	94.1	1.25	30.00	S, US
50	1800	326T	170023.60	√	7,321	C326T17FB7	587	208-230/460	117.0	94.5	1.15	31.02	C, CN
50	1800	326T	LM13701	√	9,413	SF4B50T61Y	585	208-230/460	127.0	94.5	1.25	36.00	S, US
50	1800	326TS	LM32815	C/A	9,413	SF4B50TS61Y	558	208-230/460	127.0	94.5	1.25	34.50	S, US
50	1200	365T	170097.60	√	12,086	C365T11FB5	682	208-230/460	124.0	94.1	1.15	33.62	C, CN
60	3600	364TS	170043.60	√	10,999	C364T34FB3	758	208-230/460	136.0	94.1	1.15	30.51	C, CN
60	1800	364T	170027.60	√	10,413	C364T17FB6	899	208-230/460	137.0	95.4	1.15	32.64	C, CN
60	1800	364T	LM14809	√	12,720	SF4B60T61Y	765	208-230/460	144.0	95.0	1.25	31.90	S, US
60	1200	404T	170098.60	√	14,255	C404T11FB3	1035	208-230/460	142.0	94.5	1.25	36.42	C, CN
75	3600	365TS	170045.60	√	13,474	C365T34FB3	800	208-230/460	169.0	94.5	1.15	31.50	C, CN
75	1800	365T	170031.60	√	12,995	C365T17FB4	1028	208-230/460	171.0	95.8	1.15	33.62	C, CN
75	1800	365T	LM14811	√	12,738	SF4B75T61Y	822	208-230/460	178.0	95.4	1.15	32.90	S, US
75	1800	365TS	LM32672	√	12,738	SF4B75TS61Y	822	208-230/460	178.0	95.4	1.25	30.77	S, US
75	1200	405T	170099.60	√	15,026	C405T11FB5	995	208-230/460	176.0	95.0	1.25	37.91	C, CN
100	3600	405TS	170160.60	√	16,590	C449T11FB1	975	208-230/460	218.0	95.0	1.25	34.92	C, CN
100	1800	405T	170087.60	√	16,159	C405T17FB4	1090	208-230/460	225.0	95.4	1.15	37.91	C, CN
100	1800	405T	LM13940	√	15,388	SF4B100T61Y	1052	208-230/460	244.0	95.4	1.15	38.40	S, US
100	1800	405TS	LM32819	√	15,388	SF4B100TS61Y	1052	208-230/460	244.0	95.4	1.15	35.40	S, US
100	1200	444T	170256.60	√	21,389	C444T11FB6	1457	460	121.0*	95.0	1.25	42.87	C, CN
125	3600	444TS	171580.60	√	19,808	C444T34FB8	1373	460	132.0*	95.0	1.25	39.10	C, CN
125	1800	444T	170369.60	√	21,454	C444T17FB5	1576	460	137.0*	95.4	1.15	42.87	C, CN
125	1800	444T	LM13704	√	20,571	SF4B125T64Y	1351	460	146.0*	96.2	1.15	41.58	S, US
125	1800	444TS	LM32820	C/A	20,571	SF4B125TS64Y	1351	460	146.0*	96.2	1.15	37.83	S, US
125	1200	445T	170260.60	√	24,167	C445T11FB5	1596	460	155.0*	95.4	1.25	44.88	C, CN

Shaded model numbers are cast iron frame

Continued on next page

Green items are Premium Efficient

▼ LM Numbers are Lincoln Models

C/A - Check Availability

*Amps at 460 volts

♥ Note listing on inside back flap
Specifications are subject to change without notice



Three Phase - TEFC - Rigid Base

HP	SYN RPM 60 Hz	NEMA Frame	▼ Catalog Number	Stock	List Price	Model Number	App. Wgt. (lbs)	Voltage	F. L. Amps @ 460 V	% FL. Eff.	Service Factor	"C" Dim. (Inches)	♥Notes
150	3600	445TS	171578.60	√	24,448	C445T34FB3	1445	460	163.0	95.0	1.15	41.11	C, CN
150	1800	445T	170371.60	√	24,547	C445T17FB8	1627	460	163.0	95.8	1.15	44.88	C, CN
150	1800	445T	LM13707	√	23,861	SF4B150T64Y	1531	460	168.0	96.2	1.15	43.58	S, US
150	1800	445TS	LM32679	C/A	23,861	SF4B150TS64Y	1504	460	168.0	96.2	1.15	39.49	S, US
150	1200	447T	171315.60	√	27,252	C447T11FB1	2230	460	185.0	95.8	1.25	48.00	C, CN
200	3600	447TS	171579.60	√	28,157	C447T34FB3	2100	460	216.0	95.4	1.25	48.00	C, CN
200	3600	445TS	LM13709	C/A	37,405	SF2B200TS64Y	1531	460	211.0	95.4	1.15	39.49	S, US
200	1800	447T	170352.60	√	28,114	C447T17FB8	2785	460	216.0	96.2	1.15	48.00	C, CN
200	1800	445T	LM13710	√	29,509	SF4B200T64Y	1531	460	227.0	95.0	1.15	43.58	S, US
200	1200	449T	171316.60	√	35,696	C449T11FB1	2542	460	241.0	96.2	1.25	52.80	C, CN
200	1200	449T	LM13711	C/A	34,206	SF6B200T64Y	1812	460	260	95.8	1.15	52.08	S, US
250	3600	449TS	LM16222	C/A	37,572	SF2P250TS64Y	2185	460	263.0	95.8	1.15	47.99	S, US
250	3600	447TS	LM13712	C/A	37,572	SF2B250TS64Y	1812	460	263.0	95.8	1.15	42.99	S, US
250	1800	449T	171516.60	√	32,520	C449T17FB11	—	460	274.0	96.2	1.15	—	C, CN
250	1800	447T	LM13713	C/A	37,152	SF4B250T64Y	1812	460	282.0	95.4	1.15	47.08	S, US
250	1200	449T	LM34573	C/A	39,968	CC6B250T64Y	3350	460	300	95.8	1.15	51.69	C, US
300	3600	449TS	LM13715	C/A	56,255	SF2B300TS64Y	2185	460	314	95.8	1.15	47.99	S, US
300	1800	449T	171529.60	√	36,610	C449T17FB12	—	460	—	96.2	1.15	—	C, CN
300	1800	447/449T	LM17956	√	40,670	S449F4B300T64Y	2185	460	337	96.2	1.15	—	S, US
350	3600	449TS	LM13719	C/A	61,256	SFB350TS64Y	2185	460	370	95.8	1.15	47.99	S, US
350	1800	449T	171530.60	√	37,756	C449T17FB13	—	460	—	96.2	1.15	—	C, CN
350	1800	449T	LM34528	C/A	41,978	CCF4B350T64PYGB	3400	460	395	96.2	1.15	52.07	C, US
400	3600	449TS	LM34555	C/A	47,930	CCF2B400TS64YE3	2733	460	420	95.8	1.00	52.96	C, US
400	1800	449T	LM33803	C/A	55,069	CCF4B400T64YE3	3558	460	460	96.5	1.15	56.71	C, US

Shaded model numbers are cast iron frame

Green items are Premium Efficient

▼ LM Numbers are Lincoln Models

C/A - Check Availability

♥ Note listing on inside back flap
Specifications are subject to change without notice



Three Phase - Totally Enclosed - C Face Less Base

HP	SYN RPM 60 Hz	NEMA Frame	▼ Catalog Number	Stock	List Price	Model Number	App. Wgt. (lbs)	Voltage	F. L. Amps @ 230 V	% F.L. Eff.	Service Factor	"C" Dim. (Inches)	♥Notes
1/6	1800	48CZ	102662.00	√	353	C4T17FC31	15	208-230/460	0.7	71.0	1.00	9.44	S, MX
1/4	3600	48CZ	101965.00	√	462	C4T34NC11	15	208-230/460	1.0	67.0	1.00	9.03	S, US 12
1/4	1800	48CZ	101966.00	√	399	C4T17NC35	18	208-230/460	1.0	78.0	1.15	9.31	S, MX 12
1/4	1800	48CZ	101981.00	√	399	C4T17FC19	17	208-230/460	1.4	58.0	1.15	8.94	S, MX
1/4	1800	S56C	101648.00	√	392	C4T17NC28	17	208-230/460	1.0	78.0	1.15	9.56	S, MX 12
1/4	1800	S56C	101767.00	√	392	C4T17FC9	19	208-230/460	1.4	58.0	1.15	9.69	S, MX
1/4	1800	56C	LM24964	√	415	SRF4S0.25TCN61	14	208-230/460	1.1	71.0	1.15	11.32	S, US
1/3	3600	56C	110446.00	√	390	C6T34NC2	20	208-230/460	1.2	77.0	1.15	9.90	S, US 12
1/3	1800	48CZ	102664.00	√	407	C4T17FC30	20	208-230/460	1.6	64.3	1.15	9.19	S, MX
1/3	1800	S56C	101769.00	√	420	C4T17FC10	20	208-230/460	1.6	64.3	1.15	9.69	S, MX
1/3	1800	S56C	LM24093	√	449	SRF4S0.33TCN61	15	208-230/460	1.6	65.5	1.15	10.19	S, MX
1/3	1800	S56C	102863.00	√	431	C4T17NC47	19	208-230/460	1.3	77.0	1.15	9.56	S, MX 12
1/3	1800	S56C	102696.00	√	589	C4T17FC33	22	208-230/460	1.3	77.0	1.25	10.19	S, MX
1/3	1200	48C	101291.00	√	655	C4T11NC1	20	208-230/460	1.8	73.0	1.00	9.56	S, MX
1/3	1200	56C	113311.00	√	655	C6T11FC16	22	208-230/460	1.6	65.0	1.15	10.81	S, US
1/3	1200	56C	LM24858	√	686	SRF6S0.33TCN61	21	208-230/460	2.2	62.0	1.15	11.32	S, MX
1/2	3600	48C	100449.00	√	454	C4T34NC4	23	208-230/460	1.6	67.0	1.00	10.06	S, US 12
1/2	3600	56C	101144.00	√	454	C6T34NC1	25	208-230/460	1.6	82.5	1.15	10.40	S, US 12
1/2	3600	56C	114176.00	√	454	C6T34FC42	19	208-230/460	2.0	72.0	1.15	10.31	S, US
1/2	1800	48CZ	100486.00	√	513	C4T17NC11	24	208-230/460	1.6	78.0	1.00	10.31	S, MX 12
1/2	1800	48CZ	102666.00	√	490	C4T17FC32	24	208-230/460	2.0	73.0	1.15	9.69	S, MX
1/2	1800	S56C	102861.00	√	511	C4T17NC46	23	208-230/460	1.8	77.0	1.15	10.06	S, MX 12
1/2	1800	S56C	102860.00	√	490	C4T17FC40	19	208-230/460	2.0	73.0	1.15	10.19	S, MX
1/2	1800	S56C	LM24083	√	548	SRF4S0.5TCN61	17	208-230/460	2.2	70.0	1.15	10.69	S, MX
1/2	1800	S56C	101780.00	√	632	C4T17FC12	25	208-230/460	1.8	77.0	1.15	10.69	S, MX
1/2	1200	56C	110163.00	√	709	C6T11FC1	25	208-230/460	2.4	70.0	1.15	11.31	S, US
1/2	1200	56C	LM24128	√	738	SRF6S0.5TCN61	23	208-230/460	2.7	68.0	1.15	11.82	S, MX
1/2	900	143TC	LM24965	C/A	1,124	SSF8S0.5TCN61	31	208-230/460	2.6	66.0	1.15	13.37	S, US
3/4	3600	56C	110448.00	√	477	C6T34FC9	21	208-230/460	2.4	75.5	1.15	10.81	S, US
3/4	3600	56C	LM24151	C/A	495	SRF2S0.75TCN61	22	208-230/460	3.2	74.0	1.15	11.82	S, US
3/4	1800	56C	110047.00	√	531	C6T17FC1	22	208-230/460	2.8	77.0	1.15	10.81	S, US
3/4	1800	S56C	LM24077	√	569	SRF4S0.75TCN61	21	208-230/460	2.8	75.5	1.15	11.19	S, MX
3/4	1800	56C	114213.00	√	680	C6T17FC114	27	208-230/460	2.7	81.5	1.15	11.31	S, US
3/4	1200	143TC	120097.00	√	742	C143T11FC1	32	208-230/460	3.0	80.0	1.15	10.88	S, US
3/4	1200	56C	112378.00	√	742	C6T11FC10	29	208-230/460	3.0	75.5	1.15	11.81	S, US
3/4	900	145TC	LM24967	C/A	1,280	SSF8S0.75TCN61	49	208-230/460	4.2	70.0	1.15	14.87	S, US

Continued on next page

Green items are Premium Efficient

▼ LM Numbers are Lincoln Models
C/A - Check Availability
Note 12 - TENV

♥ Note listing on inside back flap
Specifications are subject to change without notice



Tech Information

Single Phase ODP Motors

Single Phase TEFC Motors

Three Phase ODP Motors

Three Phase TEFC Motors

Inverter Duty Motors

Severe Duty Motors

Explosion Proof Motors

Automotive Duty Motors

Three Phase - Totally Enclosed - C Face Less Base

HP	SYN RPM 60 Hz	NEMA Frame	▼ Catalog Number	Stock	List Price	Model Number	App. Wgt. (lbs)	Voltage	F. L. Amps @ 230 V	% F.L. Eff.	Service Factor	"C" Dim. (Inches)	♥Notes
1	3600	56C	110112.00	√	559	C6T34FC6	21	230/460	3.2	77.0	1.15	10.81	S, US
1	3600	56C	116748.00	√	756	C6T34FC97	29	230/460	2.8	80.0	1.25	11.31	S, US
1	1800	56C	LM34158	√	944	SRF3B1TCN61	34	230/460		85.5	1.15		S, MX
1	1800	56C	114638.00	√	944	C6T17FC132	34	230/460	3.4	85.5	1.15	12.81	S, US
1	1800	143TC	LM34159	C/A	944	SSF4B1TCN61	34	230/460		85.5	1.25		S, MX
1	1800	143TC	121067.00	√	944	C143T17FC16	36	230/460	3.4	85.5	1.15	13.25	S, US
1	1200	56C	116749.00	√	993	C6T11FC29	39	230/460	3.8	82.5	1.25	13.75	S, US
1	1200	56C	LM24130	D	762	SRF6S1TCN61	33	230/460	4.0	78.5	1.15	12.82	S, MX
1	1200	56C	LM34162	√	993	SRF6B1TCN61	39	230/460		82.5	1.15		S, MX
1	1200	145TC	122165.00	√	993	C145T11FC12	39	208-230/460	3.8	82.5	1.15		S, US
1	1200	145TC	LM32846	C/A	872	SSF6B1TCN61	33	230/460	3.6	82.5	1.15	12.50	S, US
1 1/2	3600	56C	116750.00	√	858	C6T34FC98C	33	230/460	4.0	84.0	1.25	11.98	S, US
1 1/2	3600	143TC	122166.00	√	858	C143T34FC22	32	208-230/460	4.0	84.0	1.15		S, US
1 1/2	1800	56C	116743.00	√	996	C6T17FC209	41	230/460	4.8	86.5	1.25	13.31	S, US
1 1/2	1800	56C	LM34161	√	996	SRF4B1.5TCN61	33	230/460	4.6	86.5	1.15		S, MX
1 1/2	1800	145TC	121066.00	√	996	C145T17FC37	41	230/460	4.8	86.5	1.15	13.75	S, US
1 1/2	1800	145TC	LM34154	√	996	SSF4B1.5TCN61	37	230/460	4.4	86.5	1.25	14.37	S, MX
1 1/2	1200	56C	132596.00	√	1,460	C182T11FC7	86	230/460	5.2	87.5	1.15	15.09	S, MX, ♦
1 1/2	1200	182TC	G132249.00	D	933	C182T11FC4	82	230/460	5.6	85.5	1.15	14.96	S, MX
1 1/2	1200	182TC	132431.00	√	1,460	C182T11FC113	87	208-230/460	5.2	87.5	1.15	15.96	S, MX

Green items are Premium Efficient

▼ LM Numbers are Lincoln Models

D - Item to be discontinued once inventory is depleted

C/A - Check Availability

♦ Note: Motor 132596.00 mounts like a NEMA 56 frame, having a barrel diameter of a 180 frame motor

Continued on next page

♥ Note listing on inside back flap
Specifications are subject to change without notice



Tech Information

Single Phase
ODP Motors

Single Phase
TEFC Motors

Three Phase
ODP Motors

Three Phase
TEFC Motors

Inverter Duty
Motors

Severe Duty
Motors

Explosion Proof
Motors

Automotive
Duty Motors

Three Phase - Totally Enclosed - C Face Less Base

HP	SYN RPM 60 Hz	NEMA Frame	▼ Catalog Number	Stock	List Price	Model Number	App. Wgt. (lbs)	Voltage	F. L. Amps @ 230 V	% F.L. Eff.	Service Factor	"C" Dim. (Inches)	♥Notes
2	3600	56C	116751.00	√	993	C6T34FC94	44	230/460	4.8	85.5	1.25	14.25	S, US
2	3600	56C	LM34163	√	993	SRF2B2TCN61	44	230/460	6.0	85.5	1.15		S, US
2	3600	145TC	122167.00	√	993	C145T34FC44	48	208-230/460	4.8	85.5	1.15	13.42	S, US
2	3600	145TC	LM34160	√	993	SSF2B2TCN61	48	230/460	5.2	85.5	1.15	14.37	S, US
2	1800	56C	116744.00	√	1,046	C6T17FC210	45	230/460	5.8	86.5	1.25	13.82	S, US
2	1800	56C	LM34155	√	1,046	SRF4B2TCN61	45	230/460		86.5	1.15	15.10	S, MX
2	1800	145TC	121065.00	√	1,046	C145T17FC38	45	230/460	5.8	86.5	1.25	14.26	S, US
2	1800	145TC	LM34153	√	1,046	SSF4B2TCN61	45	230/460	5.6	86.5	1.25		S, MX
2	1200	184TC	132430.00	√	1,481	C184T11FC112	80	230/460	6.4	88.5	1.15	14.97	S, MX
3	3600	56C	119414.00	√	1,087	C6T34FC123	44	208-230/460	8.0	86.5	1.15	13.86	S, US
3	3600	145TC	122171.00	√	1,087	C145T34FC45	49	208-230/460	8.0	86.5	1.15	13.92	S, US
3	3600	145TC	LM34165	√	1,087	SSF2B3TCN61	49	230/460	7.6	85.5	1.15	13.42	S, US
3	3600	182TC	132433.00	√	1,234	C182T34FC7	60	208-230/460	7.8	86.5	1.15	12.97	S, MX
3	1800	56C	132595.00	√	1,122	C182T17FC47	72	230/460	7.8	89.5	1.15	12.52	S, MX, ♣
3	1800	182TC	131503.00	√	1,122	C182T17FC26	72	230/460	7.8	89.5	1.15	14.96	S, MX
3	1800	182TC	LM33574	D	916	AAF4P3TCN61AP26	91	230/460	8.4	87.5	1.25	14.96	A, MX
3	1800	182TC	LM33573	√	1,122	AAF4B3TCN61AP26	95	230/460	8.0	89.5	1.25	14.96	A, MX
3	1800	182TC	LM33337	D	857	SSF4P3TCN61	67	230/460	8.2	87.5	1.15	13.96	S, MX
3	1800	182TC	LM34353	√	1,122	SSF4B3TCN61	72	230/460	7.8	89.5	1.15	13.97	S, MX
3	1200	213TC	141231.00	√	1,573	C215T11FC4	145	230/460	8.8	89.5	1.15	20.96	S, MX

Continued on next page

Green items are Premium Efficient

▼ LM Numbers are Lincoln Models

D - Item to be discontinued once inventory is depleted

♣ Note: Motor 132595.00 mounts like a NEMA 56 frame, having a barrel diameter of a 180 frame motor

♥ Note listing on inside back flap
Specifications are subject to change without notice

Tech Information

Single Phase ODP Motors

Single Phase TEFC Motors

Three Phase ODP Motors

Three Phase TEFC Motors

Inverter Duty Motors

Severe Duty Motors

Explosion Proof Motors

Automotive Duty Motors



Three Phase - Totally Enclosed - C Face Less Base

HP	SYN RPM 60 Hz	NEMA Frame	▼ Catalog Number	Stock	List Price	Model Number	App. Wgt. (lbs)	Voltage	F. L. Amps @ 230 V	% F.L. Eff.	Service Factor	"C" Dim. (Inches)	♥Notes
5	3600	184TC	132434.00	√	1,280	C184T34FC28	99	208-230/460	12.0	88.5	1.15	14.97	S, MX
5	1800	184TC	131501.00	√	1,211	C184T17FC29	90	230/460	12.8	89.5	1.15	15.97	S, MX
5	1800	184TC	LM33575	√	1,283	AAF4B5TCN61AP26	115	208-230/460	12.6	89.5	1.25	14.96	A, MX
5	1200	215TC	141232.00	√	1,799	C215T11FC5	156	230/460	14.0	89.5	1.15	20.96	S, MX
7 1/2	3600	184TC	132561.00	√	1,379	C184T34FC32	102	230/460	16.8	89.5	1.00	15.97	S, MX
7 1/2	3600	213TC	141234.00	√	1,566	C213T34FC1	158	230/460	18.6	89.5	1.00	19.46	S, MX
7 1/2	3600	213TC	171852.60	√	1,557	C213T34FC44	157	230/460	18.0	89.5	1.15	18.86	C, CN
7 1/2	1800	213TC	140486.00	√	1,408	C213T17FC7	144	230/460	21.4	91.7	1.25	18.70	S, MX
7 1/2	1800	213TC	171851.60	√	1,472	C213T17FC43	148	230/460	18.6	91.7	1.15	18.86	C, CN
10	3600	215TC	141233.00	√	1,587	215T34FC7	112	230/460	23.6	90.2	1.15	20.57	S, MX
10	3600	215TC	171854.60	√	1,620	C215T34FC43	153	230/460	23.6	90.2	1.15	20.36	C, CN
10	1800	215TC	140484.00	√	1,699	C215T17FC4	160	230/460	26.6	91.7	1.25	19.70	S, MX
10	1800	215TC	171853.60	√	1,507	C215T17FC42	173	230/460	25.2	91.7	1.15	20.36	C, CN
10	1800	215TC	LM34166	√	2,041	AF4B10TCN61	155	230/460	26.6	91.7	1.25	19.63	A, US
15	3600	215TC	141235.00	√	2,257	C215T34FC8	165	230/460	35.0	91.0	1.15	20.96	S, MX
15	3600	215TC	171349.60	√	2,795	C215T34FC45	182	230/460	34.6	91.0	1.15	23.19	C, CN
15	1800	254TC	171479.60	√	2,899	C254T17FC6	284	230/460	36.0	92.4	1.25	23.19	C, CN
15	1800	254TC	LM16828	C/A	2,878	AF4B15TCN61	210	230/460	37.5	92.4	1.25	24.02	A, US
20	3600	256TC	171480.60	√	3,409	C256T34FC7	326	230/460	46.0	91.0	1.15	24.92	C, CN
20	1800	256TC	171352.60	√	3,480	C256T17FC5	325	230/460	49.0	93.0	1.15	24.92	C, CN
25	1800	284TC	G151507.60	D	3,438	C284T17FC5	355	208-230/460	58.8	92.4	1.15	26.26	C, CN
25	1800	284TC	171507.60	√	4,446	C284T17FC6	388	230/460	59.0	93.6	1.15	26.26	C, CN
30	1800	286TC	171508.60	√	5,301	C286T17FC6	436	230/460	70.0	93.6	1.15	27.83	C, CN
40	1800	324TC	G151509.60	D	5,236	C324T17FC5	562	208-230/460	94.0	93.0	1.15	29.53	C, CN
40	1800	324TC	171509.60	√	6,988	C324T17FC6	575	230/460	92.0	94.1	1.15	29.53	C, CN
50	1800	326TC	171510.60	√	7,662	C326T17FC6	635	230/460	117.0	94.5	1.15	31.02	C, CN
60	1800	364TC	171519.60	√	9,139	C364T17FC10	689	208-230/460	138.0	95.4	1.15	32.64	C, CN

Shaded model numbers are cast iron frame

♥ Note listing on inside back flap
Specifications are subject to change without notice

Green items are Premium Efficient

▼ LM Numbers are Lincoln Models
D - Item to be discontinued once inventory is depleted
C/A - Check Availability



Three Phase - Totally Enclosed - C Face With Base

HP	SYN RPM 60 Hz	NEMA Frame	▼ Catalog Number	Stock	List Price	Model Number	App. Wgt. (lbs)	Voltage	F. L. Amps @ 230 V	% F.L. Eff.	Service Factor	"C" Dim. (Inches)	♥Notes
1/4	1800	S56C	LM24946	C/A	442	SRF4S0.25TC61	21	230/460	1.3	62.5	1.15	9.94	S, US
1/3	1800	S56C	102921.00	√	471	C4T17NK3	18	208-230/460	1.3	77.0	1.15	9.56	S, MX, 12
1/3	1800	S56C	102922.00	√	469	C4T17FK11	19	208-230/460	1.3	77.0	1.15	10.19	S, MX
1/3	1800	S56C	LM24114	C/A	488	SRF4S0.33TC61	21	230/460	1.6	65.5	1.15	10.1	S, MX
1/3	1800	S56C	102697.00	√	600	C4T17FK5	22	208-230/460	1.3	77.0	1.25	10.19	S, MX
1/2	3600	56C	110182.00	C/A	472	C6T344NK1	26	208-230/460	1.6	82.5	1.15	10.4	S, MX, 12
1/2	3600	56C	114142.00	√	472	C6T34FK46	21	208-230/460	2.6	68.0	1.15	10.81	S, US
1/2	3600	56C	LM24129	√	506	SRF2S0.5TC61	22	230/460	2.2	69.0	1.15	11.81	S, US
1/2	1800	S56C	102919.00	√	542	C4T17NK2	22	208-230/460	2.0	77.0	1.15	10.06	S, MX, 12
1/2	1800	S56C	102917.00	√	542	C4T17FK10	19	208-230/460	2.0	73.0	1.15	10.19	S, MX
1/2	1800	S56C	LM24074	√	550	SRF4S0.5TC61	18	230/460	2.2	70.0	1.15	10.69	S, MX
1/2	1800	S56C	102024.00	√	646	C4T17FK2	23	208-230/460	1.8	77.0	1.15	10.69	S, MX
1/2	1200	56C	110914.00	√	730	C6T11FK1	25	208-230/460	2.4	70.0	1.15	11.31	S, US
1/2	1200	56C	LM24104	C/A	772	SRF6S0.5TC61	24	230/460	2.7	68.0	1.15	11.81	S, MX
1/2	900	143TC	LM24949	√	1,124	SSF8S0.5TC61	31	230/460	2.6	66.0	1.15	13.37	S, US
3/4	3600	56C	110915.00	√	510	C6T34FK6	23	208-230/460	2.4	75.5	1.15	10.81	S, US
3/4	3600	56C	LM24134	√	554	SRF2S0.75TC61	22	230/460	3.2	74.0	1.15	11.81	S, US
3/4	1800	56C	110916.00	√	583	C6T17FK5	22	208-230/460	2.8	77.0	1.15	10.81	S, US
3/4	1800	S56C	LM24076	√	587	SRF4S0.75TC61	20	230/460	2.8	75.5	1.15	11.19	S, MX
3/4	1800	56C	114624.00	√	694	C6T17FK58	25	208-230/460	2.7	81.5	1.25	11.31	S, US
3/4	1200	56C	116340.00	√	764	C6T11FK12	29	208-230/460	3.0	75.5	1.15	11.81	S, US
3/4	1200	56C	LM24140	√	791	SRF6S0.75TC61	26	230/460	3.2	74.0	1.15	12.31	S, MX
3/4	1200	143TC	120485.00	√	764	C143T11FK2	34	208-230/460	3.0	75.5	1.15	13.25	S, US
3/4	1200	143TC	LM24273	C/A	791	SSF6S0.75TC61	28	230/460	3.2	74.0	1.15	12.37	S, MX
3/4	900	145TC	LM24265	√	1,280	SSF8S0.75TC61	49	230/460	4.8	70.0	1.15	14.87	S, US
1	3600	56C	110181.00	√	605	C6T34FK1	24	230/460	3.2	77.0	1.15	10.81	S, US
1	3600	56C	LM34169	√	684	SRF2B1TC61	27	230/460	3.0	77.0	1.15	11.81	S, US
1	1800	56C	116745.00	√	977	C6T17FK98	34	230/460	3.4	85.5	1.25	12.81	S, US
1	1800	56C	LM34167	√	977	SRF4B1TC61	34	230/460	3.3	85.5	1.15	14.15	S, MX
1	1800	143TC	121179.00	√	977	C143T17FK9	34	230/460	3.4	85.5	1.15	13.25	S, US
1	1800	143TC	LM32822	√	825	SSF4B1TC61	41	230/460	3.2	85.5	1.25	12.93	S, US
1	1200	145TC	121936.00	√	957	C145T11FK7	47	230/460	3.8	81.5	1.25	13.75	S, US
1	1200	56HC	LM34168	√	983	SRF6B1TC61	42	230/460	3.8	82.5	1.15	15.15	S, MX
1	1200	145TC	LM32823	√	983	SSF6B1TC61	47	230/460	3.8	82.5	1.25	14.87	S, US
1	900	182TC	LM33566	C/A	1,575	AAF8B1TC61AP26	77	230/460	4.4	82.5	1.15	14.96	A, MX

Continued on next page

Green items are Premium Efficient

▼ LM Numbers are Lincoln Models

C/A - Check Availability

♥ Note listing on inside back flap
Specifications are subject to change without notice





Tech Information

Single Phase
ODP Motors

Single Phase
TEFC Motors

Three Phase
ODP Motors

Three Phase
TEFC Motors

Inverter Duty
Motors

Severe Duty
Motors

Explosion Proof
Motors

Automotive
Duty Motors

Three Phase - Totally Enclosed - C Face With Base

HP	SYN RPM 60 Hz	NEMA Frame	▼ Catalog Number	Stock	List Price	Model Number	App. Wgt. (lbs)	Voltage	F. L. Amps @ 230 V	% F.L. Eff.	Service Factor	"C" Dim. (Inches)	♥Notes
1 1/2	3600	56C	119416.00	√	873	C6T34FK131	32	208-230/460	4.0	84.0	1.15	11.98	S, US
1 1/2	3600	56C	LM34171	√	873	SRF2B1.5TC61	44	208-230/460	4.2	84.0	1.15	13.32	S, US
1 1/2	3600	143TC	121672.00	√	894	C143T34FK15	33	230/460	3.6	84.0	1.25	13.25	S, US
1 1/2	1800	56C	116746.00	√	1,013	C6T17FK96	37	230/460	5.6	86.5	1.25	13.31	S, US
1 1/2	1800	56HC	LM34170	√	1,013	SRF4B1.5TC61	37	230/460	4.6	86.5	1.15	14.65	S, MX
1 1/2	1800	145TC	121180.00	√	1,013	C145T17FK26	37	230/460	5.6	86.5	1.15	13.75	S, US
1 1/2	1800	145TC	LM32825	√	863	SSF4B1.5TC61	44	230/460	4.6	86.5	1.15	14.37	S, US
1 1/2	1200	182TC	132435.00	√	1,481	C182T11FC5	89	230/460	5.2	87.5	1.15	15.96	S, MX
1 1/2	1200	182TC	LM33567	√	1,166	AAF6B1.5TC61AP26	95	230/460	4.4	87.5	1.25	14.97	A, MX
2	3600	56C	119417.00	√	878	C6T34FK132	39	208-230/460	4.8	85.5	1.15	12.98	S, US
2	3600	56HC	LM34173	√	878	SRF2B2TC61	42	230/460	5.0	85.5	1.15	14.32	S, US
2	3600	145TC	121673.00	√	916	C145T34FK39	44	230/460	4.8	85.5	1.25	13.75	S, US
2	3600	145TC	LM32828	√	958	SSF2B2TC61	40	230/460	4.8	85.5	1.25	13.43	S, US
2	1800	56HC	116747.00	√	1,059	C6T17FK97	43	230/460	5.8	86.5	1.25	13.82	S, US
2	1800	56HC	LM34172	√	1,059	SRF4B2TC61	54	230/460	6.0	86.5	1.15	15.15	S, US
2	1800	145TC	121181.00	√	1,059	C145T17FK27	43	230/460	5.8	86.5	1.25	14.26	S, US
2	1800	145TC	LM32829	√	936	SSF4B2TC61	46	230/460	6.0	86.5	1.15	14.87	S, MX
2	1200	184TC	132243.00	√	1,208	C184T11FK6	93	230/460	7.2	88.5	1.15	15.96	S, MX
2	1200	184TC	LM33569	√	1,289	AAF6B2TC61AP26	88	230/460	6.0	88.5	1.25	14.97	A, MX
2	900	213TC	LM34174	C/A	2,480	AAF8B2TC61	113	230/460	10.0	86.5	1.15		A, US

Continued on next page

Green items are Premium Efficient

▼ LM Numbers are Lincoln Models
C/A - Check Availability

♥ Note listing on inside back flap
Specifications are subject to change without notice



Three Phase - Totally Enclosed - C Face With Base

HP	SYN RPM 60 Hz	NEMA Frame	▼ Catalog Number	Stock	List Price	Model Number	App. Wgt. (lbs)	Voltage	F. L. Amps @ 230 V	% F.L. Eff.	Service Factor	"C" Dim. (Inches)	♥Notes
3	3600	56HC	119418.00	√	1,074	C6T34FK133	43	230/460	8.0	86.5	1.15	13.48	S, US
3	3600	145TC	121929.00	√	1,125	C145T34FK43	45	230/460	7.6	86.5	1.15	13.76	S, US
3	3600	182TC	132079.00	√	1,269	C182T34FK10	70	230/460	7.6	86.5	1.25	13.96	S, MX
3	3600	182TC	171564.60	C/A	1,312	C182T34FK14	66	208-230/460	7.2	86.5	1.15	16.76	C, CN
3	3600	182TC	LM33570	√	1,293	AAF2B3TC61AP26	95	230/460	7.6	87.5	1.25	14.97	A, MX
3	1800	182TC	131504.00	√	1,142	C182T17FK14	75	230/460	7.8	89.5	1.15	14.96	S, MX
3	1800	182TC	LM33485	√	1,136	AAF4B3TC61AP26	75	230/460	8.0	89.5	1.25	14.97	A, MX
3	1800	182TC	171565.60	√	1,273	C182T17FK27	125	208-230/460	7.8	89.5	1.15	15.89	C, CN
3	1200	215TC	140834.00	√	1,633	C215T11FK9	170	230/460	9.4	89.5	1.15	18.21	S, MX
3	1200	213TC	LM16744	√	1,833	AF6B3TC61	131	230/460	8.8	89.5	1.25	19.45	S, MX
5	3600	184TC	171446.60	√	1,364	C184T34FK44	111	208-230/460	12.0	88.5	1.15	16.80	C, CN
5	3600	184TC	132080.00	√	1,308	C184T34FK32	100	230/460	12.0	88.5	1.25	16.46	S, MX
5	3600	184TC	LM16745	D	1,680	AAF2B5TC61	104	230/460	11.8	89.5	1.25	16.83	A, US
5	3600	184TC	LM33571	√	1,680	AAF2B5TC61AP26	104	230/460	11.8	89.5	1.25	14.97	A, MX
5	1800	184TC	171566.60	√	1,321	C184T17FK35	109	208-230/460	12.8	89.5	1.15	16.80	C, CN
5	1800	184TC	131502.00	√	1,238	C184T17FK15	99	230/460	12.8	89.5	1.15	15.97	S, MX
5	1800	184TC	LM33484	√	1,317	AAF4B5TC61AP26	104	230/460	12.4	90.2	1.25	16.83	A, MX
5	1200	215TC	171116.60	√	2,033	C215T11FB11	180	208-230/460	14.4	89.5	1.15	19.61	C, CN
5	1200	215TC	LM16748	√	2,101	AF6B5TC61	149	230/460	13.8	89.5	1.25	19.45	A, US
5	1200	215TC	LM32835	√	1,845	SSF6B5TC61	149	230/460	14.0	89.5	1.15	20.97	S, MX
5	900	254TC	LM32836	√	3,006	AF8B5TC61	244	230/460	15.0	87.5	1.15	23.40	A, US
7 1/2	3600	184TC	132313.00	√	1,421	C184T34FK48	103	230/460	17.6	89.5	1.15	15.97	S, MX
7 1/2	3600	213TC	140770.00	√	1,614	C215T34FK11	160	230/460	17.8	90.2	1.15	19.64	S, MX
7 1/2	3600	213TC	170166.60	√	1,607	C213T34FK5	147	208-230/460	18.0	89.5	1.15	18.19	C, CN
7 1/2	1800	213TC	140521.00	√	1,415	C213T17FK7	144	230/460	21.4	91.7	1.25	18.70	S, MX
7 1/2	1800	213TC	170165.60	√	1,518	C286T17DK5	155	230/460	18.6	91.7	1.15	18.19	C, CN
7 1/2	1800	213TC	LM16752	√	1,987	AF4B7.5TC61	138	230/460	19.2	91.6	1.25	19.45	A, US
7 1/2	1200	254TC	170138.60	√	2,927	C254T11FB9	249	208-230/460	22.2	91.0	1.15	23.19	C, CN
7 1/2	1200	254TC	LM16753	√	2,876	AAF6B7.5TC61	221	230/460	19.8	91.0	1.25	23.40	A, US
7 1/2	900	256TC	LM32839	C/A	3,533	AF8B7.5TC61	203	230/460	23.0	86.5	1.15	25.15	A, US

Shaded model numbers are cast iron frame

Continued on next page

Green items are Premium Efficient

♥ Note listing on inside back flap

▼ LM Numbers are Lincoln Models

Specifications are subject to change without notice

D - Item to be discontinued once inventory is depleted

C/A - Check Availability

Three Phase - Totally Enclosed - C Face With Base

HP	SYN RPM 60 Hz	NEMA Frame	▼ Catalog Number	Stock	List Price	Model Number	App. Wgt. (lbs)	Voltage	F. L. Amps @ 230 V	% FL. Eff.	Service Factor	"C" Dim. (Inches)	♥Notes
10	3600	215TC	140769.00	√	1,769	C213T34FK1	175	230/460	23.6	91.7	1.15	21.09	S, MX
10	3600	215TC	LM32840	C/A	1,986	SSF2B10TC1	125	230/460	23.6	91.7	1.25	22.22	S, MX
10	3600	215TC	170168.60	√	1,823	C215T34FK15	181	208-230/460	23.4	90.2	1.15	19.61	C, CN
10	3600	215TC	LM16755	√	2,065	AF2B10TC61	149	230/460	23.6	91.7	1.25	20.45	A, US
10	1800	215TC	140522.00	√	1,655	C215T17FK3	160	230/460	26.6	91.7	1.25	19.70	S, MX
10	1800	215TC	LM32841	√	1,641	SSF4B10TC61	135	230/460	25.6	91.7	1.25	20.97	S, MX
10	1800	215TC	170167.60	√	1,737	C215T17FK20	177	208-230/460	25.0	91.7	1.15	19.61	C, CN
10	1800	215TC	LM16757	√	2,100	AF4B10TC61	149	230/460	25.0	91.7	1.25	19.45	A, US
10	1200	256TC	170139.60	√	3,262	C256T11FB11	300	208-230/460	29.0	91.0	1.15	24.92	C, CN
10	1200	256TC	LM16759	√	3,594	AF6B10TC61	248	230/460	26.2	91.0	1.25	25.15	A, US
15	3600	254TC	171586.60	√	2,888	C254T34FK8	292	208-230/460	34.6	91.7	1.25	23.19	C, CN
15	1800	254TC	171587.60	√	2,986	C254T17FK8	284	208-230/460	36.0	92.4	1.25	23.19	C, CN
15	1800	254TC	LM16762	√	2,960	AF4B15TC61	221	230/460	37.5	92.4	1.25	23.40	A, US
15	1200	284TC	170104.60	√	4,860	C284T11FB9	333	208-230/460	40.6	91.7	1.15	26.26	C, CN
20	3600	256TC	171588.60	√	3,547	C256T34FK3	326	208-230/460	46.0	92.4	1.15	24.92	C, CN
20	1800	256TC	171589.60	√	3,565	C256T17FK8	325	208-230/460	49.0	93.0	1.15	24.92	C, CN
20	1800	256TC	LM16767	√	3,218	AF4B20TC61	248	230/460	48.0	93.0	1.25	25.15	A, US
20	1200	286TC	LM16769	√	6,397	AF6B20TC61Y	415	230/460	61.0	91.7	1.25	28.01	A, US
25	3600	284TC	170619.60	√	3,912	C284T34FK8	393	208-230/460	56.8	93.0	1.15	24.88	C, CN
25	3600	284TSC	171590.60	√	4,457	C284T34FK5	290	208-230/460	56.8	93.0	1.15	25.88	C, CN
25	1800	284TC	171591.60	√	4,612	C284T17FK5	388	208-230/460	59.0	94.0	1.25	26.26	C, CN
25	1800	284TC	LM16772	√	4,373	AF4B25TC61Y	370	230/460	64.0	93.6	1.25	26.51	A, US
25	1800	284TSC	LM32654	√	4,349	AF4B25TSC61Y	370	230/460	65.0	93.6	1.25	25.13	A, US
30	3600	286TSC	170108.60	√	4,616	C286T34FK14	400	208-230/460	69.2	93.0	1.15	27.83	C, CN
30	3600	286TC	170620.60	√	4,616	C286T34FK11	400	208-230/460	69.2	93.0	1.15	26.46	C, CN
30	1800	286TC	171592.60	√	5,557	C286T17FK4	436	208-230/460	70.0	93.6	1.15	27.83	C, CN
30	1800	286TC	LM16774	√	5,683	AF4B30TC61Y	415	230/460	75.0	93.6	1.25	28.01	A, US
30	1800	286TSC	LM32842	√	5,683	AF430TSC61Y	415	230/460	75.0	93.6	1.25	26.63	A, US
30	1200	326TC	LM13724	C/A	9,171	SF6B30TC61Y	568	230/460	76.0	93.0	1.25	30.44	S, US

Shaded model numbers are cast iron frame

Continued on next page

Green items are Premium Efficient

▼ LM Numbers are Lincoln Models
C/A - Check Availability

♥ Note listing on inside back flap
Specifications are subject to change without notice



Three Phase - Totally Enclosed - C Face With Base

HP	SYN RPM 60 Hz	NEMA Frame	▼ Catalog Number	Stock	List Price	Model Number	App. Wgt. (lbs)	Voltage	F. L. Amps @ 230 V	% F.L. Eff.	Service Factor	"C" Dim. (Inches)	♥Notes
40	3600	324TSC	170110.60	√	6,808	C324T34FK8	574	208-230/460	89	93.6	1.15	28.03	C, CN
40	1800	324TC	171593.60	√	7,183	C324T17FK5	532	208-230/460	92	94.1	1.15	29.53	C, CN
40	1800	324TC	LM13726	√	9,745	SF4B40TC61Y	514	230/460	101	94.1	1.25	28.94	S, US
40	1800	324TSC	LM32652	√	9,745	SF4B40TSC61Y	574	230/460	102	94.1	1.25	27.44	S, US
40	1200	364TC	LM15565	√	10,773	SF6B40TC61Y	777	230/460	112	93.6	1.25	31.89	S, US
50	3600	326TSC	170112.60	√	7,005	C326T34FK5	604	208-230/460	112	93.0	1.15	29.53	C, CN
50	1800	326TC	171594.60	√	7,890	C326T17FK5	592	208-230/460	117	94.5	1.25	31.02	C, CN
50	1800	326TC	LM13728	√	9,787	SF4B59TC61Y	568	230/460	127	94.5	1.25	30.44	S, US
50	1800	326TSC	LM32843	√	9,787	SF4B50TSC61Y	568	230/460	122	94.5	1.25	28.94	S, US
50	1200	365TC	LM15568	C/A	12,909	SF6B50TC61Y	834	230/460	138	94.1	1.25	32.89	S, US
60	3600	364TSC	170114.60	√	11,452	C364T34FK3	860	208-230/460	139	93.6	1.15	30.51	C, CN
60	1800	364TC	171595.60	√	12,513	C364T17FK5	670	208-230/460	137	95.4	1.25	32.64	C, CN
60	1800	364TC	LM15563	√	12,854	SF4B60TC61Y	777	230/460	145	95.0	1.25	31.89	S, US
60	1800	364TSC	LM32665	√	12,854	SF4B60TSC61Y	777	230/460	145	95.0	1.25	29.77	S, US
75	3600	365TSC	171115.60	√	13,748	C365T34FK3	773	208-230/460	172	93.6	1.15	31.49	C, CN
75	1800	365TC	171596.60	√	14,396	C365T17FK6	739	208-230/460	170	95.8	1.15	33.62	C, CN
75	1800	365TC	LM15567	√	13,442	SF4B75TC61Y	834	230/460	178	95.4	1.15	32.89	S, US
75	1800	365TSC	LM32653	√	13,442	SF4B75TSC61Y	834	230/460	178	95.4	1.15	30.77	S, US
100	3600	405TSC	LM16719	C/A	19,329	SF2B100TSC61Y	1018	230/460	210	94.5	1.15	33.87	S, US
100	1800	405TC	171597.60	√	17,628	C405T17FK2	1076	208-230/460	225	95.4	1.15	37.91	C, CN
100	1800	405TC	LM15263	C/A	16,247	SF4B100TC61Y	1018	230/460	244	95.4	1.15	36.87	S, US
100	1800	405TSC	LM32659	√	16,247	SF4B100TSC61Y	1372	230/460	244	95.4	1.15	33.87	S, US
125	3600	444TSC	LM13730	C/A	24,755	SF2B125TSC64Y	1372	460	133*	95.0	1.15	37.74	S, US
125	1800	444TC	LM13731	C/A	21,634	SF4B125TC64Y	1372	460	146*	96.2	1.15	41.49	S, US
125	1800	444TSC	LM32844	√	21,634	SF4B125TSC64Y	1372	460	146*	96.2	1.15	37.74	S, US
150	3600	445TSC	LM13733	C/A	30,554	SF2B150TSC64Y	1552	460	163*	95.8	1.15	39.74	S, US
150	1800	445TC	LM13734	C/A	24,914	SF4B150TC64Y	1552	460	168*	96.2	1.15	39.74	S, US
150	1800	445TSC	LM32845	√	24,914	SF4B150TSC64Y	1525	460	168*	96.2	1.15	39.74	S, US
200	3600	445TSC	LM13736	C/A	38,310	SF2B200TSC64Y	1552	460	212*	96.2	1.15	39.74	S, US
200	1800	445TC	LM13737	C/A	30,592	SF4B200TC64Y	1525	460	227*	96.2	1.15	43.49	S, US
200	1800	445TSC	LM32660	√	30,592	SF4B200TSC64Y	1525	460	227*	96.2	1.15	39.74	S, US

Shaded model numbers are cast iron frame

♥ Note listing on inside back flap
Specifications are subject to change without notice

Green items are Premium Efficient

▼ LM Numbers are Lincoln Models

C/A - Check Availability

*Amps at 460 volts



Three Phase Totally Enclosed Fan Cooled Ultimate e® Series General Purpose Motors

Tech Information

Single Phase
ODP Motors

Single Phase
TEFC Motors

Three Phase
ODP Motors

Three Phase
TEFC Motors

Inverter Duty
Motors

Severe Duty
Motors

Explosion Proof
Motors

Automotive
Duty Motors



Features:

- Meets or exceeds NEMA® premium efficiencies
- Class F insulation
- Stamped steel conduit box
- Standard assembly F1, reversible to F2 by reassembly
- UL Recognized, CSA Certified, CE Mark

Three Phase - TEFC - Rigid Base

HP	SYN RPM 60 Hz	NEMA Frame	Catalog Number	Stock	List Price	Model Number	App. Wgt. (lbs)	Voltage	F. L. Amps @ 230 V	% FL. Eff.	Service Factor	"C" Dim. (Inches)	♥Notes
1 1/2	1200	182T	199001.00	√	813	C182T11FB1	95	208-230/460	4.8	87.5	1.15	14.80	C, CN
2	1200	184T	199002.00	√	980	C184T11FB1	113	208-230/460	6.0	88.5	1.15	15.81	C, CN
3	3600	182T	199003.00	√	864	C182T34FB1	86	208-230/460	7.6	86.5	1.15	14.80	C, CN
3	1800	182T	199004.00	√	813	C182T17FB1	102	208-230/460	7.8	89.5	1.15	14.80	C, CN
3	1200	213T	199005.00	D	1,333	C213T11FB1	173	208-230/460	8.6	89.5	1.15	18.23	C, CN
3	1200	213T	B199005.00	√	1,285	C213T11FB7	160	208-230/460	8.7	89.5	1.15	18.35	S, CN
5	3600	184T	199006.00	√	1,001	C184T34FB1	109	208-230/460	12.0	88.5	1.15	15.81	C, CN
5	1800	184T	199007.00	√	905	C184T17FB1	117	208-230/460	12.4	90.2	1.15	15.81	C, CN
5	1200	215T	199008.00	D	1,655	C215T11FB1	190	208-230/460	14.0	90.2	1.15	19.73	C, CN
5	1200	215T	B199008.00	√	1,563	C215T11FB13	195	208-230/460	13.8	90.2	1.15	19.95	S, CN
7 1/2	3600	213T	B199009.00	√	1,189	C213T34FB46	165	208-230/460	18.0	89.5	1.15	18.35	S, CN
7 1/2	1800	213T	199010.00	D	1,173	C213T17FB1	176	208-230/460	18.6	91.7	1.15	18.23	C, CN
7 1/2	1800	213T	B199010.00	√	1,150	C213T17FB47	175	208-230/460	19.1	91.7	1.15	18.35	S, CN
7 1/2	1200	254T	199011.00	D	2,190	C254T11FB1	298	208-230/460	20.4	91.0	1.15	23.70	C, CN
7 1/2	1200	254T	B199011.00	√	2,169	D254T11FB7	210	208-230/460	19.8	91.0	1.15	24.15	C, CN
10	3600	215T	199012.00	D	1,376	C215T34FB1	198	208-230/460	22.8	90.2	1.15	19.73	C, CN
10	3600	215T	B199012.00	√	1,339	C215T34FB52	198	208-230/460	23.1	90.2	1.15	20.03	S, CN
10	1800	215T	199013.00	D	1,333	C215T17FB1	210	208-230/460	24.4	91.7	1.15	19.73	C, CN
10	1800	215T	B199013.00	√	1,310	C215T17FB52	201	208-230/460	25.2	91.7	1.15	19.95	S, CN
10	1200	256T	199014.00	D	2,674	C256T11FB1	335	208-230/460	26.8	91.0	1.15	25.43	C, CN
10	1200	256T	B199014.00	√	2,639	D256T11FB8	350	208-230/460	25.7	91.0	1.15	25.89	C, CN
15	3600	254T	199015.00	D	2,164	C254T34FB1	290	208-230/460	34.0	91.0	1.15	23.70	C, CN
15	3600	254T	B199015.00	√	2,077	D254T34FB11	335	208-230/460	35.1	91.0	1.15	24.15	C, CN
15	1800	254T	199016.00	D	2,033	C254T17FB1	348	208-230/460	37.0	92.4	1.15	23.70	C, CN
15	1800	254T	B199016.00	√	1,985	D254T17FB14	355	208-230/460	37.0	92.4	1.15	24.15	C, CN
15	1200	284T	199017.00	D	3,480	C284T11FB1	445	208-230/460	39.5	91.7	1.15	27.83	C, CN
15	1200	284T	B199017.00	√	3,480	D284T11FB10	360	208-230/460	40.0	91.7	1.15	26.65	C, CN

Shaded model numbers are cast iron frame

Green items are Premium Efficient

D - Item to be discontinued once inventory is depleted

Continued on next page

♥ Note listing on inside back flap
Specifications are subject to change without notice

Three Phase Totally Enclosed Fan Cooled Ultimate e® Series General Purpose Motors

Features:

- Meets or exceeds NEMA® premium efficiencies
- 182T - 215T models are rolled steel frame
- Class F insulation
- Standard assembly F1, reversible to F2 by reassembly
- UL Recognized, CSA Certified, CE Mark

Three Phase - TEFC - Rigid Base

HP	SYN RPM 60 Hz	NEMA Frame	Catalog Number	Stock	List Price	Model Number	App. Wgt. (lbs)	Voltage	F. L. Amps @ 230 V	% F.L. Eff.	Service Factor	"C" Dim. (Inches)	♥Notes
20	3600	256T	199018.00	D	2,630	C256T34FB1	370	230/460	46.0	91.0	1.15	27.80	C, CN
20	3600	256T	B199018.00	√	2,529	D256T34FB21	355	230/460	46.8	91.0	1.15	25.89	C, CN
20	1800	256T	199019.00	D	2,555	C256T17FB1	385	230/460	48.0	93.0	1.15	27.80	C, CN
20	1800	256T	B199019.00	√	2,483	D256T17FB8	405	230/460	48.0	93.0	1.15	25.89	C, CN
20	1200	286T	199020.00	D	3,986	C286T11FB1	475	230/460	52.0	91.7	1.15	31.34	C, CN
20	1200	286T	B199020.00	√	3,894	D286T11FB10	470	230/460	52.4	91.7	1.15	28.14	C, CN
25	3600	284TS	199021.00	D	3,239	C284T34FB1	475	230/460	55.5	91.7	1.15	28.82	C, CN
25	3600	284TS	B199021.00	√	3,127	D284T34FB13	460	230/460	58.7	91.7	1.15	25.28	C, CN
25	1800	284T	199022.00	D	2,986	C284T17FB1	475	230/460	62.0	93.6	1.15	30.16	C, CN
25	1800	284T	B199022.00	√	2,904	D284T17FB9	470	230/460	61.0	93.6	1.15	26.65	C, CN
25	1200	324T	199023.00	√	5,242	C324T11FB1	495	230/460	66.0	93.0	1.15	32.68	C, CN
30	3600	286TS	199024.00	D	3,783	C286T34FB1	500	230/460	66.0	91.7	1.15	30.00	C, CN
30	3600	286TS	B199024.00	√	3,698	D286T34FB8	485	230/460	70.4	91.7	1.15	26.77	C, CN
30	1800	286T	199025.00	D	3,473	C286T17FB1	525	230/460	73.0	93.6	1.15	31.34	C, CN
30	1800	286T	B199025.00	√	3,396	D286T17FB9	505	230/460	72.3	93.6	1.15	28.14	C, CN
30	1200	326T	199026.00	√	5,623	C326T11FB1	648	230/460	80.0	93.0	1.15	33.86	C, CN
40	3600	324TS	199027.00	√	4,991	C324T34FB1	884	230/460	88.0	92.4	1.15	31.26	C, CN
40	1800	324T	199028.00	√	4,568	C324T17FB1	772	230/460	94.0	94.1	1.15	32.68	C, CN
40	1200	364T	199029.00	√	7,779	C364T11FB1	904	230/460	94.0	94.1	1.15	36.61	C, CN
50	3600	326TS	199030.00	√	5,697	C326T34FB1	606	230/460	108.0	93.0	1.15	32.44	C, CN
50	1800	326T	199031.00	√	5,607	C326T17FB1	633	230/460	116.0	94.5	1.15	33.86	C, CN
50	1200	365T	199032.00	√	8,842	C365T11FB1	970	230/460	117.0	94.1	1.15	38.39	C, CN
60	3600	364TS	199033.00	√	7,744	C364T34FB1	886	230/460	135.0	93.6	1.15	34.57	C, CN
60	1800	364T	199034.00	√	7,651	C364T17FB1	937	230/460	138.0	95.0	1.15	36.61	C, CN
60	1200	404T	199035.00	√	10,360	C404T11FB1	1250	230/460	143.0	94.5	1.15	42.72	C, CN
75	3600	365TS	199036.00	√	9,619	C365T34FB1	992	230/460	167.0	94.1	1.15	36.34	C, CN
75	1800	365T	199037.00	√	9,400	C365T17FB1	1025	230/460	173.0	95.4	1.15	38.39	C, CN
75	1200	405T	199038.00	√	12,196	C405T11FB1	1344	230/460	178.0	94.5	1.15	42.72	C, CN
100	3600	405TS	199039.00	√	11,670	C405T34FB1	1093	230/460	216.0	94.5	1.15	39.76	C, CN
100	1800	405T	199040.00	√	11,489	C405T17FB1	1345	230/460	224.0	95.4	1.15	42.72	C, CN
100	1200	444T	199041.00	√	17,985	C444T11FB1	1958	230/460	228.0	95.0	1.15	50.79	C, CN
125	3600	444TS	199042.00	√	16,300	C444T34FB1	1850	460	136*	95.0	1.15	47.05	C, CN
125	1800	444T	199043.00	√	16,102	C444T17FB1	1885	460	140*	95.4	1.15	50.79	C, CN
125	1200	445T	199044.00	√	18,768	C445T11FB1	2081	460	142*	95.0	1.15	50.79	C, CN
150	3600	445TS	199045.00	√	20,023	C445T34FB1	2004	460	162*	95.0	1.15	47.05	C, CN
150	1800	445T	199046.00	√	18,907	C445T17FB1	2088	460	165*	95.8	1.15	50.79	C, CN
150	1200	447T	199047.00	√	23,863	C447T11FB1	2550	460	170*	95.8	1.15	55.91	C, CN
200	3600	447TS	199048.00	√	23,380	C447T34FB1	2450	460	215*	95.4	1.15	52.17	C, CN
200	1800	447T	199049.00	√	22,996	C447T17FB1	2376	460	224*	96.2	1.15	55.91	C, CN
200	1200	449T	199050.00	√	25,414	C449T11FB1	2600	460	228*	95.8	1.15	55.91	C, CN

Shaded model numbers are cast iron frame

♥ Note listing on inside back flap

Specifications are subject to change without notice

Green items are Premium Efficient

D - Item to be discontinued once inventory is depleted

* amps at 460 volts



Three Phase C Face Motors

Ultimate e® Series General Purpose Motors

Tech Information

Single Phase
ODP Motors

Single Phase
TEFC Motors

Three Phase
ODP Motors

Three Phase
TEFC Motors

Inverter Duty
Motors

Severe Duty
Motors

Explosion Proof
Motors

Automotive
Duty Motors

Three Phase - Totally Enclosed - C Face Less Base

HP	SYN RPM 60 Hz	NEMA Frame	Catalog Number	Stock	List Price	Model Number	App. Wgt. (lbs)	Voltage	F. L. Amps @ 230 V	% FL. Eff.	Service Factor	"C" Dim. (Inches)	♥Notes
3	3600	182TC	199082.00	√	941	C182T34FC1	90	208-230/460	7.6	86.5	1.15	15.75	C, CN
3	1800	182TC	199083.00	√	930	C182T17FC1	100	208-230/460	7.8	89.5	1.15	15.75	C, CN
5	3600	184TC	199084.00	√	1,044	C184T34FC1	95	208-230/460	13.4	88.5	1.15	16.73	C, CN
5	1800	184TC	199085.00	√	1,014	C184T17FC1	112	208-230/460	12.4	89.5	1.15	16.73	C, CN
7 1/2	3600	213TC	199086.00	D	1,469	C213T34FC1	150	208-230/460	17.8	89.5	1.15	19.53	C, CN
7 1/2	3600	213TC	B199086.00	√	1,375	C213T34FC1	140	208-230/460	18.0	89.5	1.15	19.10	S, CN
7 1/2	1800	213TC	199087.00	D	1,285	C213T17FC1	150	208-230/460	18.6	91.7	1.15	19.53	C, CN
7 1/2	1800	213TC	B199087.00	√	1,201	C213T17FC1	143	208-230/460	19.1	91.7	1.15	19.10	S, CN
10	3600	215TC	199088.00	D	1,551	C215T34FC1	137	208-230/460	22.8	90.2	1.15	21.02	C, CN
10	3600	215TC	B199088.00	√	1,449	C215T34FC1	135	208-230/460	23.1	90.2	1.15	20.70	S, CN
10	1800	215TC	199089.00	D	1,511	C215T17FC1	170	208-230/460	24.4	91.7	1.15	21.02	C, CN
10	1800	215TC	B199089.00	√	1,412	C215T17FC1	162	208-230/460	25.2	91.7	1.15	20.70	S, CN

Shaded model numbers are cast iron frame

Green items are Premium Efficient

D - Item to be discontinued once inventory is depleted

♥ Note listing on inside back flap
Specifications are subject to change without notice



Three Phase C Face Motors

Ultimate e® Series General Purpose Motors

Three Phase - Totally Enclosed - C Face With Base

HP	SYN RPM 60 Hz	NEMA Frame	Catalog Number	Stock	List Price	Model Number	App. Wgt. (lbs)	Voltage	F. L. Amps @ 230 V	% FL. Eff.	Service Factor	"C" Dim. (Inches)	Notes
3	3600	182TC	199051.00	√	950	C182T34FK1	92	230/460	7.6	86.5	1.15	15.75	S, CN
3	1800	182TC	199052.00	√	939	C182T17FK1	95	230/460	7.8	89.5	1.15	15.75	S, CN
5	3600	184TC	199053.00	√	1,057	C184T34FK1	110	230/460	13.4	88.5	1.15	16.73	S, CN
5	1800	184TC	199054.00	√	905	C184T17FK1	110	230/460	12.4	89.5	1.15	16.73	S, CN
7 1/2	3600	213TC	199055.00	D	1,385	C213T34FK1	170	230/460	17.8	89.5	1.15	19.53	C, CN
7 1/2	3600	213TC	B199055.00	√	1,360	C213T34FK1	165	230/460	18.0	89.5	1.15	19.10	S, CN
7 1/2	1800	213TC	199056.00	D	1,315	C213T17FK1	155	230/460	19.2	91.7	1.15	19.53	C, CN
7 1/2	1800	213TC	B199056.00	√	1,288	C213T17FK1	160	230/460	19.1	91.7	1.15	19.10	S, CN
10	3600	215TC	199057.00	D	1,616	C215T34FK1	170	230/460	22.8	90.2	1.15	21.02	C, CN
10	3600	215TC	B199057.00	√	1,565	C215T34FK1	149	230/460	23.1	90.2	1.15	20.70	S, CN
10	1800	215TC	199058.00	D	1,582	C215T17FK1	175	230/460	24.4	91.7	1.15	21.02	C, CN
10	1800	215TC	B199058.00	√	1,546	C215T17FK1	165	230/460	25.2	91.7	1.15	20.70	S, CN
15	3600	254TC	199059.00	D	2,275	C254T34FK1	350	230/460	34.0	91.0	1.15	26.60	C, CN
15	3600	254TC	B199059.00	√	2,248	D254T34FK1	335	230/460	35.1	91.0	1.15	24.65	C, CN
15	3600	215TC	194128.00	D	2,096	C215T34FK2	185	230/460	35.0	93.0	1.15	21.62	S, CN
15	3600	215TC	B194128.00	√	2,096	C215T34FK49	185	230/460		93.0	1.15		S, CN
15	1800	254TC	199060.00	√	2,164	D254T17FK1	345	230/460	37.0	92.4	1.15	24.65	C, CN
20	3600	256TC	199061.00	√	2,644	D256T34FK1	355	230/460	46.8	91.0	1.15	26.39	C, CN
20	1800	256TC	199062.00	D	2,621	C256T17FK1	425	230/460	49.0	93.0	1.15	27.80	C, CN
20	1800	256TC	B199062.00	√	2,586	D256T17FK1	405	230/460	48.0	93.0	1.15	26.39	C, CN
25	3600	284TSC	199063.00	√	3,343	D284T34FK1	460	230/460	58.7	91.7	1.15	25.28	C, CN
25	1800	284TC	199064.00	D	3,120	C284T17FK1	500	230/460	61.0	93.6	1.15	30.16	C, CN
25	1800	284TC	B199064.00	√	3,079	D284T17FK1	485	230/460	61.0	93.6	1.15	26.65	C, CN
30	3600	286TSC	199065.00	D	3,893	C286T34FK1	500	230/460	68.0	91.7	1.15	39.97	C, CN
30	3600	286TSC	B199065.00	√	3,857	D286T34FK1	485	230/460	70.4	91.7	1.15	26.77	C, CN
30	1800	286TC	199066.00	D	3,747	C286T17FK1	525	230/460	73.0	93.6	1.15	31.34	C, CN
30	1800	286TC	B199066.00	√	3,711	D286T17FK1	505	230/460	72.3	93.6	1.15	28.14	C, CN
40	3600	324TSC	199067.00	√	5,177	C324T34FK1	884	230/460	90.5	92.4	1.15	31.18	C, CN
40	1800	324TC	199068.00	√	4,781	C324T17FK1	613	230/460	94.0	94.1	1.15	32.68	C, CN
50	3600	326TSC	199069.00	√	6,348	C326T34FK1	672	230/460	111.0	93.0	1.15	32.36	C, CN
50	1800	326TC	199070.00	√	5,869	C326T17FK1	686	230/460	116.0	94.5	1.15	33.86	C, CN
60	3600	364TSC	199071.00	√	8,418	C364T34FK1	900	230/460	135.0	93.6	1.15	34.48	C, CN
60	1800	364TC	199072.00	√	8,013	C364T17FK1	937	230/460	138.0	95.0	1.15	36.61	C, CN
75	3600	365TSC	199073.00	√	9,849	C365T34FK1	992	230/460	167.0	93.6	1.15	36.26	C, CN
75	1800	365TC	199074.00	√	9,655	C365T17FK1	1024	230/460	173.0	95.4	1.15	38.39	C, CN
100	3600	405TSC	199075.00	√	12,739	C405T34FK1	1400	230/460	216.0	94.5	1.15	39.76	C, CN
100	1800	405TC	199076.00	√	11,595	C405T17FK1	1430	230/460	224.0	95.4	1.15	42.76	C, CN

Shaded model numbers are cast iron frame

♥ Note listing on inside back flap
Specifications are subject to change without notice**Green items are Premium Efficient**

D - Item to be discontinued once inventory is depleted

Three Phase Motors Totally Enclosed

Ultimate e® Series General Purpose Motors With Roller Bearings

Features:

- Meets or exceeds NEMA® premium efficiencies
- Cast iron frame construction
- Class F insulation
- UL Recognized, CSA Certified, CE Mark
- **Roller bearing at the drive end only for belted load operation only**



Three Phase - TEFC - Rigid Base

HP	SYN RPM 60 Hz	NEMA Frame	Catalog Number	Stock	List Price	Model Number	App. Wgt. (lbs)	Voltage	F. L. Amps @ 230 V	% FL. Eff.	Service Factor	"C" Dim. (Inches)	♥Notes
25	1800	284T	194228.00	√	3,074	C284T17FB9	500	230/460	61.0	93.6	1.15	26.65	C, CN
25	1200	324T	194229.00	√	5,399	C324T11FB7	555	230/460	66.0	93.0	1.15	32.68	C, CN
30	1800	286T	194230.00	√	3,577	C286T17FB9	525	230/460	72.5	93.6	1.15	28.14	C, CN
30	1200	326T	194231.00	√	5,792	C326T11FB7	725	230/460	80.0	93.0	1.15	33.86	C, CN
40	1800	324T	194232.00	√	4,705	C324T17FB10	750	230/460	94.0	94.1	1.15	32.68	C, CN
40	1200	364T	194233.00	√	8,013	C364T11FB8	950	230/460	94.0	94.1	1.15	36.61	C, CN
50	1800	326T	194234.00	√	5,775	C326T17FB11	775	230/460	119.0	94.5	1.15	33.86	C, CN
50	1200	365T	194235.00	√	9,108	C365T11FB11	1000	230/460	117.0	94.1	1.15	38.39	C, CN
60	1800	364T	194236.00	√	7,880	C364T17FB13	1000	230/460	138.0	95.0	1.15	36.61	C, CN
60	1200	404T	194237.00	√	10,671	C404T11FB8	1200	230/460	140.0	94.5	1.15	42.72	C, CN
75	1800	365T	194238.00	√	9,682	C365T17FB13	1100	230/460	170.0	95.4	1.15	38.39	C, CN
75	1200	405T	194239.00	√	12,563	C405T11FB9	1300	230/460	174.0	94.5	1.15	42.72	C, CN
100	1800	405T	194240.00	√	11,834	C405T17FB11	1375	230/460	224.0	95.4	1.15	42.72	C, CN
100	1200	444T	194241.00	√	18,524	C444T11FB9	2000	230/460	228.0	95.0	1.15	50.79	C, CN
125	1800	444T	194242.00	√	16,585	C444T17FB13	1850	460	140.0*	95.4	1.15	50.79	C, CN
125	1200	445T	194243.00	√	19,330	C445T11FB7	2050	460	142.0*	95.0	1.15	50.79	C, CN
150	1800	445T	194244.00	√	19,475	C445T17FB16	2050	460	165.0*	95.8	1.15	50.79	C, CN
150	1200	447T	194245.00	√	24,578	C447T11FB5	2500	460	170.0*	95.8	1.15	55.91	C, CN
200	1800	447T	194246.00	√	23,685	C447T17FB9	2350	460	225.0*	96.2	1.15	55.91	C, CN
200	1200	449T	194247.00	√	26,177	C449T11FB5	2900	460	228.0*	95.8	1.15	55.91	C, CN

Shaded model numbers are cast iron frame

Green items are Premium Efficient

* amps at 460 volts

♥ Note listing on inside back flap
Specifications are subject to change without notice

Tech Information

Single Phase
ODP Motors

Single Phase
TEFC Motors

Three Phase
ODP Motors

Three Phase
TEFC Motors

Inverter Duty
Motors

Severe Duty
Motors

Explosion Proof
Motors

Automotive
Duty Motors

Three Phase Motors Totally Enclosed

TENV Motors - Three Phase - Rigid Base



Three Phase - TENV - Rigid Base

HP	SYN RPM 60 Hz	NEMA Frame	Catalog Number	Stock	List Price	Model Number	App. Wgt. (lbs)	Voltage	F. L. Amps @ 230 V	% FL. Eff.	Service Factor	"C" Dim. (Inches)	♥Notes
1/6	3600	42	092014.00	C/A	456	C42T34NB2	13	208-230/460	0.7	65.0	1.00	7.56	S, US
1/6	1800	42	092015.00	√	499	C42T17NB1	14	208-230/460	0.9	61.0	1.00	7.81	S, US
1/4	3600	42	092016.00	C/A	483	C42T34NB3	15	208-230/460	0.9	62.0	1.00	8.06	S, US
1/4	1800	48	100123.00	√	379	C4T17NB3	16	208-230/460	1.0	78.0	1.15	9.18	S, MX
1/4	1800	S56	101649.00	√	379	C4T17NH8	16	208-230/460	1.0	78.0	1.15	9.56	S, MX
1/3	3600	48	101013.00	√	363	C4T34NB3	17	208-230/460	1.2	72.0	1.15	9.06	S, US
1/3	1800	48	100443.00	√	420	C4T17NB5	19	208-230/460	1.4	78.0	1.15	9.56	S, MX
1/3	1800	S56	102920.00	√	418	C4T17NH13	20	208-230/460	1.3	77.0	1.15	9.56	S, MX
1/2	3600	56	110143.00	√	420	C6T34NB1	25	208-230/460	1.5	67.0	1.15	10.38	S, US
1/2	1800	S56	102918.00	√	488	C4T17NH12	21	208-230/460	1.8	77.0	1.15	10.06	S, MX
3/4	1800	56	114309.00	√	531	C6T17NB53	30	208-230/460	2.5	80.0	1.15	10.89	S, US

Note - Motors 121098.00 and 121099.00 moved to TEFC designs to meet EISA regulations
 D - Item to be discontinued once inventory is depleted
 C/A - Check Availability

♥ Note listing on inside back flap
 Specifications are subject to change without notice

Three Phase Motors Totally Enclosed

F2 Conduit Box Mount Motors - TEFC - Three Phase

General Purpose Applications



Three Phase - TEFC - Rigid Base

HP	SYN RPM 60 Hz	NEMA Frame	Catalog Number	Stock	List Price	Model Number	App. Wgt. (lbs)	Voltage	F. L. Amps @ 230 V	% FL. Eff.	Service Factor	"C" Dim. (Inches)	♥Notes
3	1800	182T	132237.00	C/A	988	C182T17FB50	80	208-230/460	7.8	89.5	1.15	14.96	S, MX
5	1800	184T	132236.00	√	1,087	C184T17FB62	94	208-230/460	12.8	89.5	1.15	15.96	S, MX
7	1800	213T	140832.00	C/A	1,396	C213T17FB18	154	208-230/460	21.4	91.7	1.25	18.70	S, MX

Green items are Premium Efficient

C/A - Check Availability

Note: For larger F2 mount motors, G150 & 170 Series cast iron motors may be converted to F2 by reassembly. Contact factory for F2 mounting for Lincoln Brand motors

♥ Note listing on inside back flap
 Specifications are subject to change without notice

Three Phase Motors Totally Enclosed Compressor Duty

Tech Information

Single Phase
ODP Motors

Single Phase
TEFC Motors

Three Phase
ODP Motors

Three Phase
TEFC Motors

Inverter Duty
Motors

Severe Duty
Motors

Explosion Proof
Motors

Automotive
Duty Motors

General Specifications:

Motors designed for air compressor, pump, fan and blower duty applications which require high breakdown torque and rugged mechanical construction.

Mechanical Features:

- Double shielded ball bearings
- Designed for belted loads
- Class F insulation



Three Phase - TEFC - Rigid Base

HP	SYN RPM 60 Hz	NEMA Frame	Catalog Number	Stock	List Price	Model Number	App. Wgt. (lbs)	Voltage	F. L. Amps @ 230 V	% F.L. Eff.	Service Factor	"C" Dim. (Inches)	♥Notes
3	1800	182T	131463.00	√	988	C182T17FB32	80	208-230/460	7.8	89.5	1.15	13.96	S, MX
3	1800	182T	LM32741	√	988	SSF4B3T61	77	208-230/460	7.8	89.5	1.15	13.96	S, MX
5	1800	182T	131464.00	√	1,087	C184T17FB42	94	208-230/460	12.8	89.5	1.15	15.96	S, MX
5	1800	182T	LM33266	√	1,087	SSF4B5T61	85	208-230/460	12.6	89.5	1.15	14.96	S, MX
7 1/2	1800	213T	140450.00	√	1,396	C213T17FB6	144	208-230/460	21.4	91.7	1.25	18.70	S, MX
7 1/2	1800	213T	LM32805	√	1,289	SSF4B7.5T6	115	208-230/460	19.4	91.7	1.25	20.23	S, MX
10	1800	215T	140451.00	√	1,688	C215T17FB18	161	208-230/460	26.6	91.7	1.25	19.70	S, MX
10	1800	215T	LM32809	√	1,591	SSF4B10T6	135	208-230/460	26.0	91.7	1.25	21.48	S, MX
15	1800	254T	170066.60	√	2,490	C254T17FB10	280	208-230/460	36.0	92.4	1.25	23.19	C, CN
15	1800	254T	LM24208	√	2,781	CCF4B15T6	322	208-230/460	37.5	92.4	1.25	25.27	C, US
20	1800	256T	170007.60	√	3,115	C256T17FB4	322	208-230/460	49.0	93.0	1.15	24.92	C, CN

Shaded model numbers are cast iron frame

Green items are Premium Efficient

♥ Note listing on inside back flap
Specifications are subject to change without notice

Three Phase Motors Totally Enclosed Resilient Base Motors - Three Phase General Purpose or Fan & Blower Service

Mechanical Features:

- Industrial duty designs
- Suitable for belt driven or fan-on-shaft applications
- Ball bearings



Three Phase - Totally Enclosed - Resilient Base

HP	SYN RPM 60 Hz	NEMA Frame	Catalog Number	Stock	List Price	Model Number	App. Wgt. (lbs)	Voltage	F. L. Amps @ 230 V	% F.L. Eff.	Service Factor	"C" Dim. (Inches)	♥Notes
1/2	1800	56	111917.00	√	558	C6T17NR1	25	208-230/460	1.8	78.5	1.15	11.31	S, US, 12
1	1800	56H	119419.00	√	809	C6T17FR3	33	208-230/460	3.2	85.5	1.15	13.84	S, US, 6, 13

Green items are Premium Efficient

♥ Note listing on inside back flap
Specifications are subject to change without notice



Three Phase Motors Totally Enclosed

Sub-FHP Motors - Inverter Rated - Three Phase

Features:

- Designed with the exclusive IRIS® inverter rated insulation system
- Provides superior protection against voltage spikes induced by variable frequency drives
- Double shielded motor ball bearings
- Needle bearings in the parallel shaft gearboxes
- Ball bearings in the right angle (worm) gearboxes
- Steel conduit box provided as standard
- Finished in high gloss hardened black enamel paint

Application Notes:

- Designed with high temperature insulation (Class F) to prevent overheating when operated with a PWM inverter down to a 10:1 speed range from the printed motor's speed range



Three Phase - 230 Volt - Totally Enclosed - C Face With Base

HP	SYN RPM 60 Hz	NEMA Frame	Catalog Number	Stock	List Price	Model Number	App. Wgt. (lbs)	F. L. Amps @ 230 V	♥Notes
1/15	1725	38	M1140171.00	√	384	CM38T17NK1	7	0.4	S, US, 12
1/6	1725	38	M1140173.00	C/A	414	CM38T17NK2	8	0.7	S, US, 13
1/4	1725	38	M1140172.00	C/A	445	CM38T17FK3	9	1.1	S, US, 13

C/A - Check Availability
Note 12 - TENV
Note 13 - TEFC

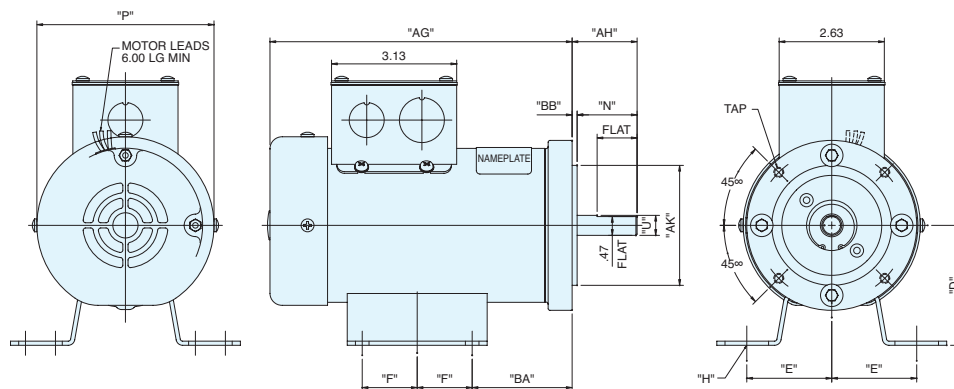
♥ Note listing on inside back flap
Specifications are subject to change without notice

38 Frame NEMA® C Face With Base Dimensions

Catalog Number	AG	P	U	AH	BB	AJ	TAP	R	AK	BB	D	BA	E	F	H
M1140171.00	5.14	3.85	0.5	1.63	1	3.75	1/3/16	4.25	3.0	0.1	3.00	1.50	2.125	1.375	11/32 Slot
M1140173.00	6.14	3.85	0.5	1.63	1	3.75	1/3/16	4.25	3.0	0.1	3.00	1.50	2.125	1.375	11/32 Slot
M1140172.00	7.56	4.43	0.5	1.63	1	3.75	1/3/16	4.25	3.0	0.1	3.00	1.50	2.125	1.375	11/32 Slot

Specifications are subject to change without notice

AC 38 48C ALL DIMENSIONS IN INCHES



Both motors only and gearmotors will have inverter rated printed on the nameplate.
UL and CSA recognition for both motors only and gearmotors

Three Phase C Face Motors

Inverter Duty - FHP™ Motors

Tech Information

Single Phase
ODP Motors

Single Phase
TEFC Motors

Three Phase
ODP Motors

Three Phase
TEFC Motors

Inverter Duty
Motors

Severe Duty
Motors

Explosion Proof
Motors

Automotive
Duty Motors

Features:

- Compact 48-frame design with keyed shaft
- Class F insulation
- 20:1 constant torque rated
- Inverter IRIS® insulation system
- 1/2" diameter keyed shaft with 48-C Face
- 115/230V three phase design optimized for FHP drives
- Designed to be used with FHP AC Drives



Three Phase - TEFC - C Face With Base

HP	SYN RPM 60 Hz	NEMA Frame	Catalog Number	Stock	List Price	Model Number	App. Wgt. (lbs)	Voltage	F. L. Amps @ 230 V	% F.L. Eff.	Service Factor	"C" Dim. (Inches)	♥Notes
1/6	1800	48CZ	102792.00	√	379	C4T17FK7	25	115/230	1.3	56.0	1.15	8.94	S, MX
1/4	1800	48CZ	102793.00	C/A	430	C4T17FK8	26	115/230	1.4	58.0	1.15	8.94	S, MX
1/3	1800	48CZ	102794.00	C/A	471	C4T17FK6	28	115/230	1.6	64.3	1.15	9.19	S, MX
1/2	1800	48CZ	102795.00	C/A	525	C4T17FK9	30	115/230	1.8	77.0	1.15	10.19	S, MX

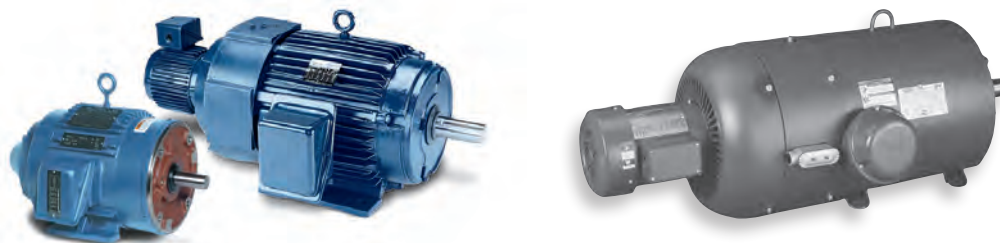
Green items are Premium Efficient

C/A - Check Availability

♥ Note listing on inside back flap
Specifications are subject to change without notice



Inverter Duty Motors

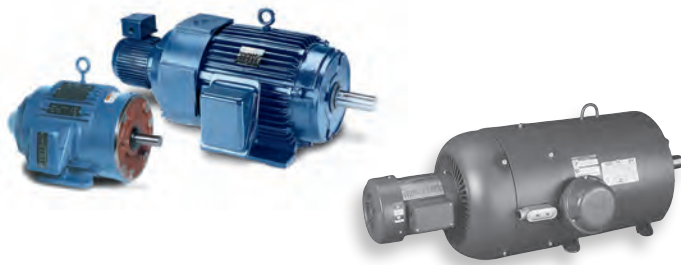


- Ideally suited for IGBT inverters
- Inverter duty insulation system
- Over temperature protection
- Speedmaster® and CTAC® models – 2000 : 1 speed range
- Provisions for encoder mounting
- Lincoln Vector duty CTAC models include 1024 ppr encoder
- Drip-proof and totally enclosed models available
- Precision balanced rotor assemblies
- Made in the U.S.A.
- 3-year warranty
- Speedmaster Plus Inverter Duty Motors
- Platinum e™ Permanent Magnet AC Motors [NEW page 92](#)

Applications:

For use in constant torque (conveyors and machine tools) or variable torque (pumps and fans) variable speed applications within the stated speed range of the motor.





Inverter Duty Motors

Inverter Duty Motors / Vector Duty Motors

2000:1 Speed Range

With Encoder Mounting Provisions



Features:

- Class H inverter insulation system on LEESON® models, Class F on Lincoln models
- No blower needed on 256T frame and smaller motors
- Constant torque operation from 0 to base RPM rating with vector drives
- C Face with rigid base through 100 HP on LEESON models, Lincoln models through 5 HP
- TEBC designs utilize 3-phase blower motors
- Normally closed thermostats
- Cast iron, Steel and Aluminum frame construction - see Notes
- Provisions for Encoder feedback devices - all LEESON models and Lincoln Q10 models
- LEESON models, 180 frame and higher, include internal shaft grounding rings (SGRs)
- Precision balanced rotors
- UL recognized and CSA certified
- 3-year warranty

Three Phase - Totally Enclosed - Rigid Base & Rigid C Face

For use with inverters only

HP	SYN RPM 60 Hz	NEMA Frame	▼ Catalog Number	Stock	List Price	Model Number	App. Wgt. (lbs)	Voltage	F. L. Amps @ 230 V	Max. RPM	Service Factor	"C" Dim. (Inches)	Inverter Speed Range	♥Notes
1/3	1800	56C	LM10336	√	617	SRF4S0.33TC61Q20	26	230/460	1.6	4000	1.0	11.31	10:1	S, US, 13
1/2	1800	56C	LM24264	C/A	711	SRF4S0.5TC61Q20	24	230/460	2.4	4000	1.0	11.81	10:1	S, US, 13
1/2	1200	56HC	LM10338	C/A	844	SRF6S0.5TC61Q20	41	230/460	2.6	4000	1.0	12.32	10:1	S, US, 13
3/4	1800	56HC	LM10339	√	802	SRF4S0.75TC61Q20	25	230/460	3.0	4000	1.0	11.82	10:1	S, US, 13
1	1800	56HC	LM10340	√	1,542	SRF4S1TC61Q20	62	230/460	3.6	4000	1.0	12.32	10:1	S, US, 13
1	1800	143TC	810548.00	√	1,631	143THTN8037	61	230/460	3.0	5400	1.0	13.68	2000:1	C, US, 12
1	1800	145TC	LM26359	√	1,562	SSN4S1TC61Q10	62	230/460	4.0	5000	1.0	15.39	2000:1	S, US, 12
1	1200	182TC	LM06103	√	1,768	AAN6S1TC61Q10	78	230/460	3.6	4800	1.0	12.94	2000:1	A, US, 12
1	900	184TC	LM06105	C/A	2,205	AAN8S1TC61Q10	100	230/460	5.0	4800	1.2	16.57	2000:1	A, US, 12
1 1/2	1800	145TC	810547.00	√	1,796	145THTN8044	68	230/460	4.6	5400	1.0	14.68	2000:1	C, US, 12
1 1/2	1800	145TC	LM26233	C/A	1,734	SSN4S1.5TC61Q10	65	230/460	4.8	5000	1.0	15.39	2000:1	S, US, 12
1 1/2	1200	56HC	119796.00	√	898	C6T11FK18	45	230/460	5.7	4000	1.0	13.31	2:1	S, US, 13
1 1/2	1200	145TC	122337.00	√	905	C145T11FK11	46	230/460	5.7	4000	1.0	13.76	2:1	S, US, 13
2	1800	145TC	810546.00	√	1,875	145THTN8045	70	230/460	6.0	5400	1.0	14.68	2000:1	C, US, 12
2	1800	182TC	LM33591	C/A	1,882	AAN4S2TC61Q10AP26	74	230/460	8.2	4800	1.0	15.88	2000:1	A, MX, 12
3	1800	182TC	811320.00	√	2,240	182THTS8051	110	230/460	8.0	5400	1.0	16.68	2000:1	C, US, 12
3	1800	56HC	119797.00	√	968	C6T17FK116	45	230/460	8.6	4000	1.0	12.81	2:1	S, US, 13
3	1800	145TC	122338.00	√	982	C145T17FK84	46	230/460	8.6	4000	1.0	13.76	2:1	S, US, 13
3	1800	184TC	LM33492	C/A	2,189	AAN4S3TC61Q10AP26	94	230/460	8.4	4800	1.0	16.57	2000:1	A, MX, 12
3	1200	215TC	LM06121	C/A	3,491	AN5S3TC61Q10	135	230/460	12.0	4600	1.0	18.56	2000:1	A, US, 12

Shaded model numbers are cast iron frame

Continued on next page

▼ LM Numbers are Lincoln Models
 C/A - Check Availability
 Note 12 - TENV
 Note 13 - TEFC

♥ Note listing on inside back flap
 Specifications are subject to change without notice



Inverter Duty Motors

Inverter Duty Motors / Vector Duty Motors - 2000:1 Speed Range

With Encoder Mounting Provisions

Three Phase - Totally Enclosed - Rigid Base & Rigid C Face

For use with inverters only

HP	SYN RPM 60 Hz	NEMA Frame	▼ Catalog Number	Stock	List Price	Model Number	App. Wgt. (lbs)	Voltage	F. L. Amps @ 230 V	Max. RPM	Service Factor	"C" Dim. (Inches)	Inverter Speed Range	♥Notes
5	1800	184TC	811322.00	√	2,483	184THS8058	118	230/460	13.4	5400	1.0	17.69	2000:1	C, US, 12
5	1800	213TC	LM06125	√	2,512	AN4S5TC61Q10	115	230/460	15.6	4600	1.0	17.94	2000:1	A, US, 12
7 1/2	1800	213TC	810157.00	√	3,340	213THS8070	180	230/460	21.0	4200	1.0	20.56	2000:1	C, US, 12
10	1800	215TC	810140.00	√	3,946	215THS8070	290	230/460	26.0	4200	1.0	22.74	2000:1	C, US, 12
15	1800	254TC	810066.00	√	4,731	254THNA8060	320	230/460	39.0	4200	1.0	25.12	2000 : 1	C, US, 12
15	1200	284TC	810068.00	C/A	9,992	284THPA7090	440	230/460	40.0	3600	1.0	37.48	2000 : 1	C, US, 11
20	1800	256TC	810007.00	√	6,447	256THNA8070	435	230/460	52.0	4200	1.0	27.13	2000 : 1	C, US, 12
20	1200	286TC	810001.00	C/A	11,970	286THFPA8090	450	230/460	52.4	3600	1.0	37.48	2000 : 1	C, US, 11
25	1800	284TC	810011.00	C/A	8,034	284THFPA8060	438	230/460	65.0	3600	1.0	37.48	2000 : 1	C, US, 11
25	1200	324TC	810003.00	C/A	14,083	324THFPA8090	620	230/460	67.0	3600	1.0	40.41	2000 : 1	C, US, 11
30	1800	286TC	810015.00	√	8,847	286THFPA8040	520	230/460	74.0	4200	1.0	38.98	2000 : 1	C, US, 11
30	1200	326TC	810005.00	C/A	15,498	326THFPA8090	700	230/460	82.0	3600	1.0	41.91	2000 : 1	C, US, 11
40	1800	324TC	810019.00	C/A	11,190	324THFPA8050	620	230/460	100.0	3600	1.0	40.41	2000 : 1	C, US, 11
40	1200	364TC	810096.00	√	18,688	364THFS18079	975	230/460	104.0	2700	1.0	42.78	2000 : 1	C, US, 11
50	1800	326TC	810023.00	C/A	13,198	326THFPA8040	640	230/460	120.0	3600	1.0	41.91	2000 : 1	C, US, 11
50	1200	365TC	810097.00	C/A	22,404	365THFS8397	1029	230/460	180.0	2700	1.0	43.78	2000 : 1	C, US, 11
60	1800	364TC	810027.00	√	16,988	364THFS8059	975	230/460	147.0	2700	1.0	42.78	2000 : 1	C, US, 11
60	1200	404TC	810098.00	C/A	24,855	404THFS8378	1322	230/460	142.0	2700	1.0	46.72	2000 : 1	C, US, 11
75	1800	365TC	810031.00	√	20,370	365THFS8074	1050	230/460	180.0	2700	1.0	43.78	2000 : 1	C, US, 11
75	1200	405TC	810099.00	C/A	30,283	405THFS8386	1350	230/460	180.0	2700	1.0	49.28	2000 : 1	C, US, 11
100	1800	405TC	810087.00	C/A	24,817	405THFS8329	1400	230/460	230.0	2700	1.0	49.28	2000 : 1	C, US, 11
100	1200	444TC	811367.00	C/A	34,430	444THFN8389	2050	230/460	250.0	2700	1.0	52.72	2000 : 1	C, US, 11
125	1800	444T	811369.00	C/A	31,296	444THFN8050	2000	460	138*	2700	1.0	52.72	2000 : 1	C, US, 11
150	1800	445T	811371.00	C/A	35,508	445THFN8334	2321	460	170*	2700	1.0	54.72	2000 : 1	C, US, 11
200	1800	445T	810503.00	C/A	42,031	445THFN8335	2450	460	230*	2700	1.0	54.72	2000 : 1	C, US, 11
250	1800	449T	811516.00	C/A	55,686	449THFS8328	3210	460	295*	2700	1.0	63.21	2000 : 1	C, US, 11
300	1800	449T	811529.00	C/A	70,588	449THFS8329	3410	460	330*	2700	1.0	63.21	2000 : 1	C, US, 11
350	1800	449T	811530.00	C/A	86,100	449THFS8330	3520	460	385*	2700	1.0	63.21	2000 : 1	C, US, 11

Shaded model numbers are cast iron frame

♥ Note listing on inside back flap
Specifications are subject to change without notice

*FL. Amps at 460 Volts
▼ LM Numbers are Lincoln Models
C/A - Check Availability
Note 11 - TEBC
Note 12 - TENV

Encoder Kits For Speedmaster® 81,000 Series 2000:1 Motors

Description	Enclosure	Frame	Brand/Model	PPR	Catalog Number	List Price
Encoders						
Modular Mount, 5-15 VDC, with EPIC connector	TENV	143-256T	Northstar* SL56	1024	E175927.00	3,617
Shaft Mount, 5-26 VDC, with 10 pin connector	TENV	143-256T	Dynapar* HS35	1024	E175928.00	2,323
Shaft Mount, 5-26 VDC, with 10 pin connector	TENV	143-256T	BEI* HS35	1024	E175929.00	2,323
Shaft Mount, 5-26 VDC, with 10 pin connector	TENV	143-256T	Dynapar HS35	2048	E175930.00	2,323
Shaft Mount, 5-26 VDC, with 10 pin connector	TENV	143-256T	BEI HS35	2048	E175931.00	2,323
Modular Mount, 5-15 VDC (Encoder Conduit Box Required)	TEBC	284-449T	Northstar SL56	1024	E175921.00	3,617
Shaft Mount, 5-26 VDC (Encoder Conduit Box Required)	TEBC	284-449T	Dynapar HS35	1024	E175922.00	2,323
Shaft Mount, 5-26 VDC (Encoder Conduit Box Required)	TEBC	284-449T	BEI HS35	1024	E175923.00	2,323
Shaft Mount, 5-26 VDC (Encoder Conduit Box Required)	TEBC	284-449T	Dynapar HS35	2048	E175924.00	2,323
Shaft Mount, 5-26 VDC (Encoder Conduit Box Required)	TEBC	284-449T	BEI HS35	2048	E175925.00	2,323
Conduit Box Required for all TEBC Units	—	—	—	—	ECB175926.00	258

All Encoders are shipped separate for field installation.

 Single Phase
ODP Motors

 Single Phase
TEFC Motors

 Three Phase
ODP Motors

 Three Phase
TEFC Motors

 Inverter Duty
Motors

 Severe Duty
Motors

 Explosion Proof
Motors

 Automotive
Duty Motors


LEESON Speedmaster® Plus Inverter Duty Motors

1000:1 Constant Torque

Applications:

Designed for inverter or vector duty applications where up to a 1000:1 constant torque speed range is required. Typical applications would include: conveyors, machine tools, metal processing, pumping equipment and compressors.

Features:

- IRIS® Inverter duty insulation system
- Constant torque operation from 0 to base speed on vector drive
- Constant horsepower operation up to twice base RPM
- Normally closed thermostats (one per phase, Class F)
- Ball bearings
- Encoder provisions included on opposite drive end
- UL Recognized, CSA Certified, and CE Mark
- 3-year warranty

Three Phase - TENV - C Face With Base

For use with inverters only

HP	SYN RPM 60 Hz	NEMA Frame	Catalog Number	Stock	List Price	Model Number	App. Wgt. (lbs)	Voltage	F. L. Amps @ 230 V	Service Factor	"C" Dim. (Inches)	♥Notes
1/4	1800	56C	119286.00	√	628	C6T17NK49	19	230/460	1.2	1.0	11.88	S, MX
1/2	1800	56C	119287.00	√	787	C6T17NK51	27	230/460	1.6	1.0	13.48	S, MX
1	1800	56C	119289.00	√	939	C6T17NK50	39	230/460	3.0	1.0	14.98	S, MX
1	1800	143TC	122129.00	√	965	C143T17NK4	48	230/460	3.0	1.0	15.04	S, MX
1	1200	145TC	122130.00	√	1,118	C143T11NK3	49	230/460	3.8	1.0	16.04	S, MX
1.5	1800	145TC	122131.00	√	1,171	C145T17NK6	50	230/460	4.8	1.0	16.04	S, MX
2	1800	145TC	122132.00	√	1,509	C145T17NK5	65	230/460	6.0	1.0	16.04	S, MX
2	1200	184TC	811618.00	√	2,315	184THTL17079	88	230/460	6.6	1.0	16.94	A, MX
3	1800	182TC	811619.00	√	2,006	182THTY17054	95	230/460	8.4	1.0	17.39	A, MX
3	1200	213TC	811621.00	√	2,851	213THTL17081	105	230/460	9.4	1.0	19.94	A, US
5	1800	184TC	811625.00	√	2,396	184THTY17045	146	230/460	14.0	1.0	20.54	A, MX
5	1200	215TC	811624.00	√	3,469	215THTL17086	105	230/460	15.4	1.0	19.94	A, US
7 1/2	1800	213TC	811622.00	√	3,145	213THTL17044	110	230/460	21.0	1.0	18.94	A, US
7 1/2	1200	254TC	811627.00	√	4,666	254THTL17081	223	230/460	22.0	1.0	25.37	A, US
10	1800	215TC	811628.00	√	3,762	215THTL17047	219	230/460	27.0	1.0	23.04	A, US
10	1200	256TC	811630.00	√	5,281	256THTL17083	229	230/460	28.0	1.0	26.87	A, US
15	1800	254TC	811631.00	√	4,477	254THTL17049	260	230/460	40.0	1.0	26.87	A, US
20	1800	256TC	811633.00	√	6,535	256HTNA16034	300	230/460	52.0	1.0	27.13	C, US
25	1800	284TC	811635.00	√	7,108	284HTNA16039	379	230/460	62.0	1.0	27.08	C, US
30	1800	286TC	811637.00	√	8,016	286HTNA17042	575	230/460	74.0	1.0	28.58	C, US

Shaded model numbers are cast iron frame

♥ Note listing on inside back flap
Specifications are subject to change without notice



Inverter Duty Motors

Vector Duty Motors - 2000:1 Speed Range

With 1024 ppr Encoder

Tech Information

Single Phase
ODP Motors

Single Phase
TEFC Motors

Three Phase
ODP Motors

Three Phase
TEFC Motors

Inverter Duty
Motors

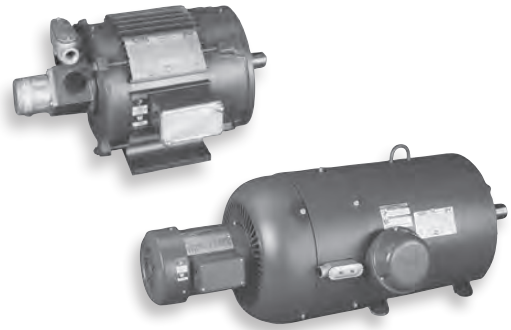
Severe Duty
Motors

Explosion Proof
Motors

Automotive
Duty Motors

Features:

- Inverter duty insulation system
- Constant HP range at 2x base speed 56 - 256T frames
- Constant HP range at 1.5x base speed 284T - 445T frames
- Includes 1024 ppr encoder with differential line driver
- Normally closed thermostats
- Steel and aluminum frame construction - see notes
- C Face designs through 10 HP
- Precision balanced rotors



Three Phase - Totally Enclosed - Rigid Base & Rigid C Face

For use with inverters only

HP	SYN RPM 60 Hz	NEMA Frame	▼ Catalog Number	Stock	List Price	Model Number	App. Wgt. (lbs)	Voltage	F. L. Amps @ 230 V	Max. RPM	Service Factor	"C" Dim. (Inches)	Inverter Speed Range	♥ Notes
1/3	1800	56C	LM10346	√	2,330	SRN4S0.33TC61Q15	43	208-230/460	1.0	5000	1.00	14.47	2000 : 1	S, US, 12
1/2	1800	56C	LM10347	√	2,432	SRN4S0.5TC61Q15	43	208-230/460	1.6	5000	1.00	14.47	2000 : 1	S, US, 12
3/4	1800	56HC	LM10349	C/A	2,516	SRN4S0.75TC61Q15	54	208-230/460	2.6	5000	1.00	15.97	2000 : 1	S, US, 12
1	1800	56HC	LM10350	C/A	3,431	SRN4S1TC61Q15	54	208-230/460	3.2	5000	1.00	15.97	2000 : 1	S, US, 12
1	1800	145TC	LM26109	C/A	3,431	SSN4S1TC61Q15	82	208-230/460	3.0	5000	1.00	16.03	2000 : 1	S, US, 12
1.5	1800	145TC	LM26278	C/A	3,686	SSN4S1.5TC61Q15	85	208-230/460	4.8	5000	1.00	17.03	2000 : 1	S, US, 12
2	1800	182TC	LM33595	√	3,798	AAN4S2TC61Q15AP26	98	208-230/460	6.6	5400	1.00	19.84	2000 : 1	A, US, 12
3	1800	184TC	LM33491	√	3,993	AANS3TC61Q15AP26	92	208-230/460	8.2	5400	1.00	19.84	2000 : 1	A, MX, 12
5	1800	213TC	LM04003	C/A	4,431	AAN4S5TC61Q15	115	208-230/460	15.6	4600	1.00	21.14	2000 : 1	A, US, 12
7.5	1800	215TC	LM31463	C/A	5,266	AN4S7.5TC61Q15	155	208-230/460	21.0	4600	1.00	23.48	2000 : 1	A, US, 12
10	1800	256TC	LM30572	C/A	5,542	AN4S10TC61Q15	235	208-230/460	27.0	4400	1.00	—	2000 : 1	A, US, 12
25	1800	284T	811639.00	C/A	8,173	284THFPA17034	438	208-230/460	65.0	3600	1.00	37.48	2000 : 1	C, US, 11
30	1800	286T	811640.00	C/A	9,115	286THFPA18043	520	208-230/460	74.0	4200	1.00	38.98	2000 : 1	C, US, 11
40	1800	324T	LM03285	C/A	11,624	SB4H40T61Q15	550	208-230/460	98.0	4000	1.00	43.41	2000 : 1	S, US, 11
50	1800	326T	LM03333	C/A	12,823	SB4H50T61Q15	550	208-230/460	—	4000	1.00	—	2000 : 1	S, US, 11
60	1800	364T	LM03377	C/A	14,712	SB4H60T61YQ15	690	208-230/460	146	3800	1.00	48.29	2000 : 1	S, US, 11
75	1800	365T	LM03425	C/A	17,002	SB4P75T61YQ15	740	208-230/460	180.0	3800	1.00	49.29	2000 : 1	S, US, 11
100	1800	405T	LM03473	C/A	24,738	SB4H100T61YQ15	1000	208-230/460	240.0	3600	1.00	53.23	2000 : 1	S, US, 11
125	1800	444T	LM03517	C/A	32,273	SB4H125T64YQ15	1290	460	146 *	3000	1.00	58.28	2000 : 1	S, US, 11

Shaded model numbers are cast iron frame

♥ Note listing on inside back flap
Specifications are subject to change without notice

*FL. Amps at 460 Volts
▼ LM Numbers are Lincoln Models
C/A - Check Availability
Note 11 - TEBC
Note 12 - TENV



Inverter Duty Motors

Lincoln Inverter Duty Motors - 4:1 Speed Range - Totally Enclosed

Features:

- Inverter duty insulation system
- Constant HP range at 2x base speed 56 - 256T frames
- Constant HP range at 1.5x base speed 284T - 445T frames
- No mounting available for encoder devices
- Normally closed thermostats
- Steel and aluminum frame construction - see notes
- Precision balanced rotors



Three Phase - Totally Enclosed - Rigid Base

For use with inverters only

HP	SYN RPM 60 Hz	NEMA Frame	▼ Catalog Number	Stock	List Price	Model Number	App. Wgt. (lbs)	Voltage	F. L. Amps @ 230 V	Max. RPM	Service Factor	% F.L. Eff.	"C" Dim. (Inches)	Inverter Speed Range	♥Notes
1	1800	56	LM22660	√	767	SRF4S1T61Q40	28	230/460	3.6	4000	1.00	78.5	12.32	4:1	S, US
1	1800	143T	LM226097	C/A	860	SSF4P1T61Q40	46	230/460	3.0	4000	1.00	82.5	12.87	4:1	S, US
1 1/2	1800	56H	LM22664	C/A	845	SRF4S1.5T61Q40	28	230/460	5.0	4000	1.00	80	13.52	4:1	S, US
1 1/2	1800	145T	LM26098	C/A	871	SSF4P1.5T61Q40	51	230/460	5.0	4000	1.00	84	13.87	4:1	S, US
2	1800	145T	LM25991	C/A	906	SSF4P2T61Q40	51	230/460	6.0	4000	1.00	84	14.37	4:1	S, US
3	3600	182T	LM21189	C/A	1,193	AAF4P3T61Q40	83	230/460	7.4	4000	1.00	85.5	14.19	4:1	A, US
3	1800	182T	LM21190	C/A	1,100	AAF4P3T61Q40	83	230/460	8.4	4000	1.00	87.5	14.19	4:1	A, US
5	3600	184T	LM21192	C/A	1,386	AAF2P5T61Q40	92	230/460	12.4	4000	1.00	87.5	15.19	4:1	A, US
5	1800	184T	LM21193	√	1,224	AAF4P5T61Q40	92	230/460	13.4	4000	1.00	87.5	16.19	4:1	A, US
7 1/2	3600	213T	LM21195	C/A	1,873	AF2P75T61Q40	127	230/460	18.0	4600	1.00	88.5	18.30	4:1	A, US
7 1/2	1800	213T	LM21196	√	1,737	AF4P75T61Q40	127	230/460	20.0	4600	1.00	89.5	17.20	4:1	A, US
10	3600	215T	LM21198	C/A	2,051	AF2P10T61Q40	138	230/460	24.0	4600	1.00	89.5	18.25	4:1	A, US
10	1800	215T	LM21199	√	1,908	AF4P10T61Q40	138	230/460	25.4	4600	1.00	89.5	18.70	4:1	A, US
15	3600	254T	LM21201	C/A	2,738	AAF2P15T61Q40	209	230/460	35.0	4400	1.00	90.2	23.40	4:1	A, US
15	1800	254T	LM21202	√	2,594	AF4P15T61Q40	209	230/460	39.0	4400	1.00	91.0	23.40	4:1	A, US
20	3600	256T	LM21204	C/A	3,141	AF2P20T61Q40	236	230/460	47.0	4400	1.00	90.2	26.10	4:1	A, US
20	1800	256T	LM21205	C/A	3,005	AF4P20T61Q40	236	230/460	50.0	4400	1.00	91.0	25.15	4:1	A, US
25	1800	284T	LM21208	C/A	4,171	AF4P25T61YQ40	363	230/460	66.0	4200	1.00	92.4	26.62	4:1	A, US
30	1800	286T	LM21211	C/A	4,617	AF4P30T61YQ40	408	230/460	76.0	4200	1.00	92.4	28.12	4:1	A, US
40	1800	324T	LM21214	√	6,368	SF4P40T61YQ40	504	230/460	106.0	4000	1.00	93.0	28.50	4:1	S, US
50	1800	326T	LM21217	C/A	6,971	SF4P50T61YQ40	558	230/460	129.0	4000	1.00	93.0	30.00	4:1	S, US
60	1800	364T	LM21220	C/A	9,308	SF4P60T61YQ40	765	230/460	145.0	3800	1.00	93.6	31.90	4:1	S, US
75	1800	365T	LM21223	C/A	11,825	SF4P75T61YQ40	822	230/460	187.0	3800	1.00	94.1	32.90	4:1	S, US
100	1800	405T	LM21227	C/A	15,316	SF4P100T61YQ40	1002	230/460	244.0	3600	1.00	94.5	38.40	4:1	S, US
125	1800	444T	LM21230	C/A	19,028	SF4P125T64YQ40	1351	460	146.0*	3000	1.00	94.5	41.58	4:1	S, US
150	1800	445T	LM21233	C/A	22,012	SF4P150T64YQ40	1504	460	168.0*	3000	1.00	95.0	43.58	4:1	S, US
200	1800	445T	LM21236	C/A	26,185	SF4P200T64YQ40	1504	460	228.0*	3000	1.00	95.0	43.58	4:1	S, US
250	1800	447T	LM21238	C/A	31,512	SF4P250T64YQ40	1812	460	283.0*	2800	1.00	95.0	47.08	4:1	S, US
300	1800	449T	LM21239	C/A	34,105	SF4P300T64YQ40	2315	460	349.0*	2800	1.00	95.4	52.08	4:1	S, US

▼ LM Numbers are Lincoln Models

C/A - Check Availability

* F.L. Amps at 460 V

♥ Note listing on inside back flap
Specifications are subject to change without notice

Inverter Duty Motors

Lincoln Inverter Duty Motors - 4:1 Speed Range - Totally Enclosed

Three Phase - Totally Enclosed - Rigid C Face

For use with inverters only

HP	SYN RPM 60 Hz	NEMA Frame	▼ Catalog Number	Stock	List Price	Model Number	App. Wgt. (lbs)	Voltage	F. L. Amps @ 230 V	Max. RPM	Service Factor	% F.L. Eff.	"C" Dim. (Inches)	Inverter Speed Range	♥Notes
1/3	1800	56C	LM22645	√	691	SRF4S0.33TC61Q40	33	230/460	1.6	4000	1.0	72.0	11.31	4:01	S, US
1/2	1800	56C	LM22649	√	789	SRF4S0.5TC61Q40	33	230/460	2.4	4000	1.0	74.0	11.81	4:01	S, US
3/4	3600	56C	LM22653	C/A	709	SRF2S0.75TC61Q40	33	230/460	3.4	4000	1.0	74.0	11.81	4:01	S, US
3/4	1800	56C	LM22655	C/A	801	SRF4S0.75TC61Q40	33	230/460	3.0	4000	1.0	77.0	11.81	4:01	S, US
3/4	1200	56C	LM22657	C/A	940	SRF6S0.75TC61Q40	28	230/460	3.4	4000	1.0	72.0	12.81	4:01	S, US
1	3600	56C	LM22659	C/A	801	SRF2S1TC61Q40	33	230/460	3.7	4000	1.0	75.5	11.81	4:01	S, US
1	1800	56C	LM22661	√	821	SRF4S1TC61Q40	28	230/460	3.0	4000	1.0	78.5	11.81	4:01	S, US
1	1800	143TC	LM26081	C/A	920	SSF4P1TC61Q40	52	230/460	3.0	4000	1.0	82.5	12.87	4:01	S, US
1	1200	145TC	LM26323	C/A	1,097	SSF6P1TC61Q40	57	230/460	3.8	4000	1.0	80.0	14.87	4:01	S, US
1 1/2	1800	56HC	LM22665	C/A	902	SRF4S1.5TC61Q40	36	230/460	5.0	4000	1.0	80.0	13.32	4:01	S, US
1 1/2	1800	145TC	LM26008	C/A	926	SSF4P1.5TC61Q40	57	230/460	4.8	4000	1.0	84.0	13.87	4:01	S, US
2	1800	145TC	LM25962	√	986	SSF4P2TC61Q40	57	230/460	6.0	4000	1.0	84.0	14.37	4:01	S, US
3	3600	182TC	LM22826	C/A	1,281	AAF2P3TC61Q40	95	230/460	7.4	4000	1.0	85.5	14.83	4:01	A, US
3	1800	182TC	LM22827	√	1,188	AAF4P3TC61Q40	95	230/460	8.4	4000	1.0	87.5	14.83	4:01	A, US
5	1800	184TC	LM22830	C/A	1,317	AAF4P5TC61Q40	104	230/460	13.4	4000	1.0	87.5	16.83	4:01	A, US
7 1/2	1800	213TC	LM22833	C/A	1,647	AAF4P7.5TC61Q40	138	230/460	20.0	4600	1.0	89.5	17.95	4:01	A, US
10	1800	215TC	LM22836	C/A	1,908	AF4P10TC61Q40	149	230/460	25.4	4600	1.0	89.5	19.45	4:01	A, US
15	1800	254TC	LM22839	C/A	2,731	AF4P15TC61Q40	221	230/460	39.0	4400	1.0	91.0	23.4	4:01	A, US
20	1800	256TC	LM22841	√	3,142	AF4P20TC61Q40	248	230/460	50.0	4400	1.0	91.0	25.15	4:01	A, US

▼ LM Numbers are Lincoln Models
C/A - Check Availability

♥ Note listing on inside back flap
Specifications are subject to change without notice



Tech Information

Single Phase
ODP Motors

Single Phase
TEFC Motors

Three Phase
ODP Motors

Three Phase
TEFC Motors

Inverter Duty
Motors

Severe Duty
Motors

Explosion Proof
Motors

Automotive
Duty Motors

Inverter Duty Motors

Lincoln Inverter Duty Motors - 10:1 Speed Range - Drip-Proof

Features:

- Variable torque speed range with open loop drive of 0-60 Hz
- Constant horsepower speed range of 2x base speed
- Ultimate Spike Defense Insulation System
- 1.00 service factor on PWM waveform,
- 1.15 service factor or better on sine-wave power
- Precision dynamic balanced rotor assembly
- Thermal overload protection (Class F thermostats)

Three Phase - Drip-Proof - Rigid Base

For use with inverters only

HP	SYN RPM 60 Hz	NEMA Frame	▼ Catalog Number	Stock	List Price	Model Number	App. Wgt. (lbs)	Voltage	F. L. Amps @ 230 V	Max. RPM	Service Factor	% F.L. Eff.	"C" Dim. (Inches)	Inverter Speed Range	♥Notes
1	1800	143T	LM21148	C/A	793	SSD4P1T61Q40	55	208-230/460	3.1	5000	1.0	82.5	12.49	10:1	S, US
1 1/2	1800	145T	LM21151	C/A	827	SSD4P1.5T61Q40	68	208-230/460	4.4	5000	1.0	84.0	12.49	10:1	S, US
2	1800	145T	LM21153	C/A	873	SSD4P2T61Q40	68	208-230/460	5.8	5000	1.0	84.0	12.49	10:1	S, US
3	1800	182T	LM21157	C/A	989	SSD4P3T61Q40	82	208-230/460	8.6	4800	1.0	86.5	13.72	10:1	S, US
5	1800	184T	LM21159	C/A	1,265	SSD4P5T61Q40	71	208-230/460	13.2	4800	1.0	87.5	13.19	10:1	S, US
7 1/2	1800	213T	LM21162	C/A	1,452	SSD4P7.5T61Q40	141	208-230/460	19.4	4600	1.0	88.5	17.29	10:1	S, US
10	1800	215T	LM21165	√	1,707	SSD4P10T61Q40	168	208-230/460	25.0	4600	1.0	89.5	17.29	10:1	S, US
15	1800	254T	LM21168	√	2,437	SSD4P15T61Q40	245	208-230/460	41.0	4400	1.0	91.0	22.32	10:1	S, US
20	1800	256T	LM21171	C/A	2,697	SSD4P20T61Q40	255	208-230/460	52.0	4400	1.0	91.0	22.32	10:1	S, US
25	1800	284T	LM29579	C/A	3,542	CCD4P25T61YQ40	350	208-230/460	61.0	4000	1.0	91.7	23.49	10:1	C, US
30	1800	286T	LM29936	C/A	4,030	CCD4P30T61YQ40	400	208-230/460	72.0	4000	1.0	92.4	24.99	10:1	C, US
40	1800	324T	LM21180	√	5,479	SD4P40T61YQ40	469	208-230/460	106	4000	1.0	93.0	25.82	10:1	S, US
50	1800	326T	LM21118	C/A	6,119	SD4P50T61YQ40	522	208-230/460	130	4000	1.0	93.0	27.32	10:1	S, US
60	1800	364T	LM21121	C/A	7,901	SD4P60T61YQ40	595	208-230/460	145	3600	1.0	94.0	28.40	10:1	S, US
75	1800	365T	LM21124	C/A	11,085	SD4P75T61YQ40	763	208-230/460	176	3800	1.0	94.1	32.90	10:1	S, US
100	1800	404T	LM21127	C/A	11,130	SD4P100T61YQ40	882	208-230/460	244	3600	1.0	94.1	31.81	10:1	S, US
125	1800	405T	LM30727	C/A	11,287	SD4P125T61YQ40	958	208-230/460	304	3600	1.0	94.5	33.31	10:1	S, US

Shaded model numbers are cast iron frame

♥ Note listing on inside back flap
Specifications are subject to change without notice

▼ LM Numbers are Lincoln Models
C/A - Check Availability

Inverter Duty Motors

Sub-FHP Motors - Inverter Rated - Three Phase

Tech Information

Single Phase
ODP Motors

Single Phase
TEFC Motors

Three Phase
ODP Motors

Three Phase
TEFC Motors

Inverter Duty
Motors

Severe Duty
Motors

Explosion Proof
Motors

Automotive
Duty Motors

Features:

- Designed with exclusive IRIS® inverter rated insulation system
- Provides superior protection against voltage spikes induced by variable frequency drives
- Double shielded motor ball bearings
- Steel conduit box provided as standard
- Finished in high gloss hardened black enamel paint

Application Notes:

- Designed with high temperature insulation (Class F) to prevent overheating when operated with a PWM inverter down to a 10:1 speed range from the printed motor's speed range

Three Phase - Totally Enclosed - Rigid Base - C Face With Base

HP	SYN RPM 60 Hz	NEMA Frame	Catalog Number	Stock	List Price	Model Number	App. Wgt. (lbs)	F. L. Amps @ 230 V	♥Notes
1/15	1725	38	M1140171.00	√	384	CM38T17NK1	230	0.4	S, US, 12
1/6	1725	38	M1140173.00	C/A	414	CM38T17NK2	230	0.7	S, US, 12
1/4	1725	38	M1140172.00	√	445	CM38T17FK3	230	1.1	S, US, 13

C/A - Check Availability
Note 12 - TENV

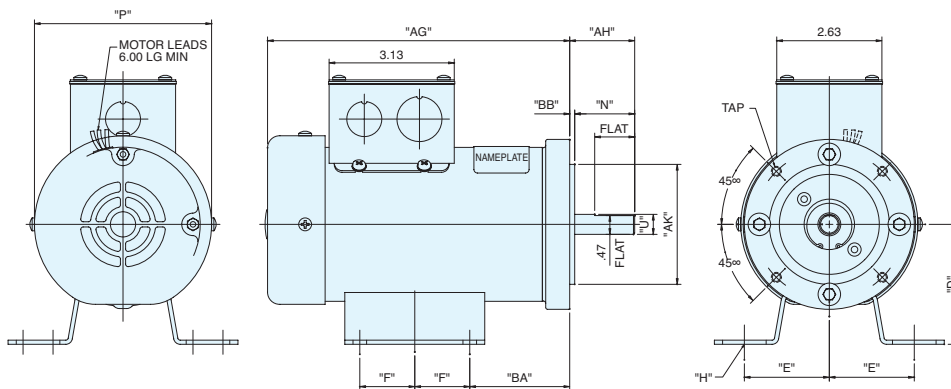
♥ Note listing on inside back flap
Specifications are subject to change without notice

38 Frame NEMA C Face With Base Dimensions

Catalog Number	AG	P	U	AH	BB	AJ	TAP	R	AK	BB	D	BA	E	F	H
M1140171.00	5.14	3.85	0.5	1.63	1	3.75	1/4-20	4.3	3.0	0.13	3.0	2.50	2.125	1.375	11/32 Slot
M1140173.00	6.14	3.85	0.5	1.63	1	3.75	1/4-20	4.3	3.0	0.13	3.0	2.50	2.125	1.375	11/32 Slot
M1140172.00	7.56	4.43	0.5	1.63	1	3.75	1/4-20	4.3	3.0	0.13	3.0	2.50	2.125	1.375	11/32 Slot

Specifications are subject to change without notice

AC 38 48C ALL DIMENSIONS IN INCHES



Both motors only and gearmotors will have inverter rated printed on the nameplate.
UL and CSA recognition for both motors only and gearmotors



NEW!

Inverter Duty Motors Platinum e™ Permanent Magnet AC Motors

Commercial, Rolled Steel Frame (NEMA® S56C frame models)

Features:

- Meets or exceeds NEMA Premium (IE3)
- Class F IRIS® insulation system
- 20:1 Constant Torque open-loop (1000:1 closed-loop)
- IP43 enclosure (IP54 and IP55 available)
- Totally enclosed non-ventilated
- Sealed ball bearing
- High power density, low weight design
- Provisions for optional shaft grounding ring
- 3-year warranty
- Requires an AC inverter for operation



Industrial, Cast Iron Frame (NEMA 182-286 frame models)

Features:

- Ultra Efficient™ Premium-Plus exceeds NEMA Premium (IE4)
- Class H IRIS insulation system
- Cast iron construction for rigidity and reduced vibration
- Severe Duty, TEFC
- Normally closed thermostats (One per phase, Class F)
- High power density, low weight design
- UL, CSA and CE
- Optional terminal block
- Provisions for shaft grounding ring
- 3-year warranty
- Requires a PMAC inverter for operation

TENV and TEFC Three Phase C Face With Base

HP	SYN RPM 60 Hz	NEMA Frame	Catalog Number	Stock	List Price	Model Number	App. Wgt. (lbs)	Voltage	Hertz	F. L. Amps	Nominal EFF	Torque (LB-FT)	"C" Dim. (Inches)	♥Notes
1/4	1800	S56C	103756.00	√	514	48PNRA20202	13	230/460	90	.8/.4	82.5	0.729	7.82	S, MX
1/3	1800	S56C	103757.00	√	607	48PNRA20203	13	230/460	90	1.2/.6	84.0	0.963	7.82	S, MX
1/2	1800	S56C	103758.00	√	730	48PNRA20204	13	230/460	90	1.5/.75	83.5	1.5	7.82	S, MX
3/4	1800	S56C	103759.00	√	780	48PNRA20205	16	230/460	90	1.9/.94	85.5	2.2	8.82	S, MX
1	1800	S56C	103760.00	√	846	48PNRA20206	18	230/460	90	3.44/1.71	85.3	2.9	8.82	S, MX
1.5	1800	S56C	104008.00	√	1,029	48PNRA20207	23	230/460	90	5.4/2.7	86.1	4.4	9.68	S, MX
2	1800	S56C	103761.00	√	1,362	48PNRA20208	28	230/460	90	6.32/3.16	86.5	5.8	10.68	S, MX
3	1800	182TC	132293.00	√	3,216	182TPFSA20017	99	460	150	3.9	91.7	8.8	16.63	S, MX
5	1800	184TC	132294.00	C/A	4,106	184TPFSA20018	108	460	150	6.4	91.7	14.6	16.63	C, US
7.5	1800	213TC	140840.00	√	4,979	213TPFSA20027	152	460	150	9.4	93.0	21.9	20.16	C, US
10	1800	215TC	140841.00	√	5,203	215TPFSA20028	166	460	150	11.7	93.6	29.2	20.16	C, US
15	1800	254TC	825201.00	√	5,960	254TPFSA20057	204	460	120	18.0	94.5	43.8	25.77	C, US
20	1800	256TC	825202.00	√	6,342	256TPFSA20058	253	460	120	24.0	95.0	58.3	25.77	C, US
25	1800	284TC	825203.00	√	7,610	284TPFSA20059	396	460	120	30.0	95.0	72.9	26.21	C, US
30	1800	286TC	825204.00	√	7,785	286TPFSA20060	416	460	120	35.5	95.4	87.5	27.71	C, US
40	1800	286TC	825387.00	√	9,463	286TPFSA20125	490	460	120	47.5	95.8	116.7	27.71	C, US

Shaded model numbers are cast iron frame

C/A - Check Availability

♥ Note listing on inside back flap
Specifications are subject to change without notice



Tech Information

Single Phase ODP Motors

Single Phase TEFC Motors

Three Phase ODP Motors

Three Phase TEFC Motors

Inverter Duty Motors

Severe Duty Motors

Explosion Proof Motors

Automotive Duty Motors

NEW!

LEESON® VSD Series Inverters At A Glance

For use with PMAC or AC induction motors



For more information, please see pages 389-392 of this catalog.

	VSD	VSD - Plus
Power Range	1/3 - 3 HP	1/3 - 30 HP
Voltages	230/240 Volts 1 or 3 phase / 400/480 Volts	230/240 Volts 1 or 3 phase / 400/480 Volts
Hardware	<ul style="list-style-type: none"> • Memory module • IT-Grid compatible • Integrated EMC filters • Zero clearance mounting • Form "C" relay 	In addition to VSD <ul style="list-style-type: none"> • Brake chopper • DC bus sharing • Safety torque off (optional) • Dedicated PTC
I/O	Basic -I/O	Standard-I/O
Communication	<ul style="list-style-type: none"> • Spring loaded control terminals (fixed) 	<ul style="list-style-type: none"> • Pluggable control terminal Bipolar speed reference 24V keep alive Selectable PHP or NPN logic Application-I/O (optional) Additional I/Os
Fieldbus	CANopen/Modbus (optional)	CANopen, Modbus, Profibus, Profinet, EtherNet-I/P
Diagnostics	Hot-swappable options: keypad, USB module, WLAN module, Remote keypad	

Tech Information

Single Phase
ODP Motors

Single Phase
TEFC Motors

Three Phase
ODP Motors

Three Phase
TEFC Motors

Inverter Duty
Motors

Severe Duty
Motors

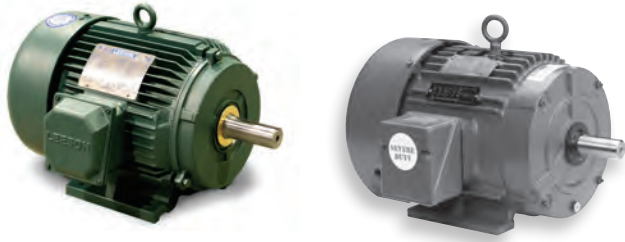
Explosion Proof
Motors

Automotive
Duty Motors



Severe Duty Motors

Premium Efficient IEEE 841 Severe Duty Motors & Lincoln Encapsulated Multiguard® Motors



- IEEE-841 motors available – 5-year warranty
- 3-year warranty on premium efficient models
- Dual voltage designs
- 1.15 or 1.25 service factors
- Epoxy painted ratings
- Cast iron and steel frame construction
- Internal corrosion protection
- Inverter rated
- Shaft seals where applicable
- UL and CSA recognized

Applications:

Used in severe duty environments that you may find in foundries, pulp, paper mills, waste management facilities, above ground mines, refineries or other applications that demand corrosion protection for long motor life and dependability.



Severe Duty Motors

IEEE 841 Premium Efficient Motors

Tech Information

Single Phase
ODP Motors

Single Phase
TEFC Motors

Three Phase
ODP Motors

Three Phase
TEFC Motors

Inverter Duty
Motors

Severe Duty
Motors

Explosion Proof
Motors

Automotive
Duty Motors

General Specifications:

Designed for harsh environments that you may find in refineries, above-ground mines, foundries, paper and pulp mills, cement plants or other severe duty applications.

Features:

- Inpro* shaft seals
- Inverter rated insulation system
- Re-greasable bearings
- Epoxy paint
- Test data supplied with each motor
- IP 56 enclosure protection
- Tested to IEEE45 USCG Marine Duty, API RP14F for offshore platforms
- Division 2 CSA certification for hazardous locations, Class 1 Groups A, B, C, D, temperature Code T2B
- 5-year warranty



Three Phase - Totally Enclosed - Rigid Base

HP	SYN RPM 60 Hz	NEMA Frame	Catalog Number	Stock	List Price	Model Number	App. Wgt. (lbs)	Voltage	F. L. Amps @ 460 V	% F.L. Eff.	Service Factor	"C" Dim. (Inches)	♥Notes
1	1800	143T	811541.00	C/A	974	143THTN9026	55	460	1.5	85.5	1.15	10.43	C, US, 12
1	1200	145T	811646.00	√	1,298	145THTN9076	60	460	1.7	80.0	1.15	11.43	C, US, 12
1 1/2	3600	143T	811542.00	C/A	1,207	145THTN9005	58	460	2.0	86.5	1.15	10.43	C, US, 12
1 1/2	1800	145T	811643.00	C/A	1,213	145TTN16627	68	460	2.3	86.5	1.15	11.43	C, US, 12
1 1/2	1200	182T	811647.00	√	1,662	182THTS9076	100	460	2.2	87.5	1.15	12.71	C, US, 12
2	3600	145T	811544.00	√	1,267	145THTN9001	68	460	2.5	85.5	1.15	11.43	C, US, 12
2	1800	145T	811644.00	C/A	1,249	145TTN16626	72	460	3.0	86.5	1.15	11.43	C, US, 12
2	1200	184T	811648.00	√	2,052	184THTS9076	112	460	3.0	88.5	1.15	13.71	C, US, 12
3	3600	182T	811546.00	C/A	1,835	182THTS19005	105	460	3.8	87.5	1.15	12.71	C, US, 12
3	1800	182T	811547.00	√	1,556	182THTS19041	100	460	4.0	90.2	1.15	12.71	C, US, 12
3	1200	213T	811649.00	√	2,528	184THTS9076	176	460	4.4	89.5	1.15	18.22	C, US, 12
5	3600	184T	811548.00	√	1,971	184THFS19010	142	460	5.9	89.5	1.15	16.19	C, US
5	1800	184T	811549.00	√	1,816	184THFS19045	130	460	6.2	90.2	1.15	16.19	C, US
5	1200	215T	811650.00	√	3,102	215THFS9076	202	460	6.9	89.5	1.15	19.72	C, US
7 1/2	3600	213T	811550.00	C/A	2,327	213THTS19008	200	460	8.9	91.7	1.15	17.18	C, US, 12
7 1/2	1800	213T	811551.00	√	2,203	213THFS19044	200	460	9.6	91.7	1.15	19.72	C, US
7 1/2	1200	254T	811651.00	√	3,724	254THFNA9076	326	460	9.9	91.0	1.15	23.52	C, US
10	3600	215T	811552.00	√	2,720	215THFS19011	218	460	11.2	91.7	1.15	21.00	C, US
10	1800	215T	811553.00	√	2,668	215THFS19051	225	460	12.5	91.7	1.15	19.72	C, US
10	1200	256T	811652.00	√	4,548	256THFNA9076	405	460	13.1	91.0	1.15	25.27	C, US
15	3600	254T	811554.00	√	3,372	254THFNA19014	345	460	17.5	91.7	1.15	23.52	C, US
15	1800	254T	811555.00	√	3,205	254THFNA19052	350	460	18.8	92.4	1.15	23.52	C, US
15	1200	284T	811653.00	√	6,038	284THFNA9076	479	460	20.4	91.7	1.15	27.88	C, US
20	3600	256T	811556.00	C/A	4,165	256THFNA19004	375	460	23.4	92.4	1.15	25.27	C, US
20	1800	256T	811557.00	√	3,986	256THFNA19050	425	460	24.1	93.0	1.15	25.27	C, US
20	1200	286T	811654.00	√	7,356	286THFNA9076	550	460	26.8	91.7	1.15	27.84	C, US
25	3600	284TS	811558.00	C/A	5,170	284TSHFNA19009	481	460	28.1	93.6	1.15	25.27	C, US
25	1800	284T	811559.00	√	4,722	284THFNA19043	478	460	31.0	93.6	1.15	26.46	C, US
25	1200	324T	811655.00	√	8,732	324THFS9076	675	460	32.5	93.0	1.15	28.87	C, US

Shaded model numbers are cast iron frame

Continued on next page

Green items are Premium Efficient

Note - 12 - TENV

C/A - Check Availability

♥ Note listing on inside back flap
Specifications are subject to change without notice



*Inpro is believed to be the trademark or trade name of INPRO/SEAL LLC and is not controlled by Regal Beloit Corporation.

Severe Duty Motors

IEEE 841 Premium Efficient Motors

Three Phase - Totally Enclosed - Rigid Base

HP	SYN RPM 60 Hz	NEMA Frame	Catalog Number	Stock	List Price	Model Number	App. Wgt. (lbs)	Voltage	F. L. Amps @ 460 V	% F.L. Eff.	Service Factor	"C" Dim. (Inches)	♥Notes
30	3600	286TS	811560.00	C/A	6,348	286TSHFNA19002	500	460	33.8	93.6	1.15	26.46	C, US
30	1800	286T	811561.00	√	5,753	286THFNA19051	525	460	36.5	94.1	1.15	27.84	C, US
30	1200	326T	811656.00	√	10,270	326THFS9076	725	460	38.5	93.0	1.15	30.37	C, US
40	3600	324TS	811562.00	√	8,429	324THFS19007	656	460	47.0	93.6	1.15	27.37	C, US
40	1800	324T	811563.00	√	7,876	324THFS19045	700	460	47.5	94.1	1.15	28.90	C, US
40	1200	364T	811657.00	√	12,806	364THFS19087	950	460	50.0	94.1	1.15	31.50	C, US
50	3600	326TS	811564.00	√	10,862	326TSHFS19005	725	460	58.0	93.6	1.15	28.90	C, US
50	1800	326T	811565.00	√	9,430	326THFS19057	775	460	60.0	94.5	1.15	30.37	C, US
50	1200	365T	811658.00	√	15,708	365THFS19086	942	460	61.5	94.5	1.15	32.50	C, US
60	3600	364TS	811566.00	C/A	13,064	364TSHFS19006	925	460	67.0	94.5	1.15	29.38	C, US
60	1800	364T	811567.00	C/A	12,433	364THFS19047	1000	460	69.0	95.0	1.15	31.50	C, US
60	1200	404T	811659.00	√	17,232	404THFS9086	1156	460	72.0	94.5	1.15	35.62	C, US
75	3600	365TS	811568.00	√	16,474	365TSHFS19005	1002	460	84.0	94.5	1.15	30.38	C, US
75	1800	365T	811569.00	√	15,973	365THFS19052	1100	460	86.0	95.4	1.15	32.50	C, US
75	1200	405T	811660.00	√	20,190	405THFS9086	1280	460	90.0	95.0	1.15	37.12	C, US
100	3600	405TS	811570.00	C/A	22,313	405TSHFS19006	1295	460	108.0	95.0	1.15	34.10	C, US
100	1800	405T	811571.00	√	19,481	405THFS19060	1330	460	113.0	95.4	1.15	37.10	C, US
100	1200	444T	811661.00	√	29,922	444THFN19081	2100	460	142.0	94.1	1.15	43.27	C, US
125	3600	444TS	811586.00	√	25,402	444TSHFN19003	1682	460	142.0	95.0	1.15	39.64	C, US
125	1800	444T	811587.00	√	23,651	444THFN19055	1725	460	141.0	95.4	1.15	41.25	C, US
125	1200	445T	811662.00	C/A	34,050	445THFN9086	2000	460	155.0	95.0	1.15	43.35	C, US
150	3600	445TS	811588.00	√	30,513	445TSHFN19005	2187	460	165.0	95.8	1.15	39.37	C, US
150	1800	445T	811589.00	√	26,222	445THFN19072	2070	460	172.0	95.8	1.15	43.19	C, US
150	1200	445T	811663.00	C/A	38,099	445THFN9087	2500	460	181.0	95.8	1.15	43.35	C, US
200	3600	445TS	811590.00	√	38,600	445TSHFN19006	2300	460	223.0	95.8	1.15	39.37	C, US
200	1800	445T	811591.00	√	31,891	445THFN19074	2437	460	226.0	96.2	1.15	43.19	C, US
200	1200	447/9T	811664.00	C/A	46,637	449THFS19092	2927	460	225.0	95.8	1.15	51.84	C, US
250	3600	447/9TS	811592.00	C/A	48,680	449TSHFS19008	2635	460	270.0	96.5	1.15	47.94	C, US
250	1800	447/9T	811593.00	C/A	46,013	449THFS19344	2834	460	285.0	96.5	1.15	51.69	C, US
300	1800	447/9T	811594.00	C/A	46,934	449THFS19345	3039	460	390.0	96.5	1.15	51.84	C, US
350	3600	447/9TS	811595.00	C/A	72,360	449TSHFS19009	2888	460	380.0	96.2	1.15	47.94	C, US
350	1800	447/9T	811596.00	C/A	59,661	449THFS19346	3082	460	450.0	96.2	1.15	51.84	C, US

Shaded model numbers are cast iron frame

♥ Note listing on inside back flap
Specifications are subject to change without notice

Green items are Premium Efficient

C/A - Check Availability



Severe Duty Motors

Premium Efficient Severe Duty - WATTSaver® e Plus

Tech Information

Single Phase
ODP Motors

Single Phase
TEFC Motors

Three Phase
ODP Motors

Three Phase
TEFC Motors

Inverter Duty
Motors

Severe Duty
Motors

Explosion Proof
Motors

Automotive
Duty Motors

General Specifications:

Designed specifically to meet severe duty environments that you may find in applications such as chemical plants, foundries, pulp and paper mills, waste management facilities and above ground mines.



Features:

- Full cast iron construction
- Inverter rated insulation system
- Epoxy painted
- Shaft seals both ends
- Internal corrosion protection
- IP 55 enclosure protection
- Division 2 CSA certification for hazardous locations, Class 1 Groups A, B, C, D, temperature Code T2B
- 3-year warranty

Three Phase - TEFC - Rigid Base

HP	SYN RPM 60 Hz	NEMA Frame	Catalog Number	Stock	List Price	Model Number	App. Wgt. (lbs)	Voltage	F. L. Amps @ 230 V	% F.L. Eff.	Service Factor	"C" Dim. (Inches)	♥Notes
3	1800	182T	171623.60	√	1,226	C184T17FB1	112	208-230/460	7.8	90.2	1.25	16.60	C, CN
3	1200	213T	171634.60	√	1,730	C213T11FW1	133	208-230/460	9.4	89.5	1.25	18.70	C, CN
5	1800	184T	171630.60	√	1,269	C184T17FB1	120	230/460	12.8	89.5	1.15	17.30	C, CN
5	1200	215T	171635.60	√	1,935	C215T11FW1	186	208-230/460	14.4	89.5	1.25	20.10	C, CN
7 1/2	3600	213T	171616.60	√	1,763	C213T34FW1	155	208-230/460	18.0	91.0	1.25	18.70	C, CN
7 1/2	1800	213T	171622.60	√	1,701	C213T17FW1	165	208-230/460	18.6	91.7	1.25	18.70	C, CN
7 1/2	1200	254T	171636.60	√	2,516	C254T11FW1	263	208-230/460	22.2	91.7	1.25	23.70	C, CN
10	3600	215T	171617.60	√	2,091	C215T34FW1	190	208-230/460	23.0	91.7	1.25	20.10	C, CN
10	1800	215T	171631.60	√	2,028	C215T17FB1	187	208-230/460	25.0	91.7	1.25	20.10	C, CN
10	1200	256T	171637.60	√	3,598	C256T11FB1	312	208-230/460	29.0	91.7	1.25	25.40	C, CN
15	3600	254T	171620.60	√	2,842	C254T34FW1	294	208-230/460	34.6	92.4	1.25	23.70	C, CN
15	1800	254T	171632.60	√	2,749	C254T17W1	294	208-230/460	36.0	92.4	1.25	23.70	C, CN
15	1200	284T	171638.60	√	4,870	C284T11FW1	346	208-230/460	40.6	92.4	1.25	26.80	C, CN
20	3600	256T	171621.60	√	3,473	C256T34FW1	330	208-230/460	46.0	92.4	1.25	25.40	C, CN
20	1800	256T	171633.60	√	3,432	C256T17FW1	335	208-230/460	49.0	93.0	1.15	25.40	C, CN
20	1200	286T	171639.60	√	6,085	C286T11FW1	405	208-230/460	54.0	92.4	1.25	28.30	C, CN
25	3600	284TS	171778.60	√	4,239	C284T34FB11	403	208-230/460	56.8	93.0	1.15	24.88	C, CN
25	1800	284T	171779.60	√	4,004	C284T17FB14	405	208-230/460	59.0	93.6	1.15	26.26	C, CN
25	1200	324T	171780.60	√	6,690	C324T11FB16	566	208-230/460	66.0	93.6	1.15	29.53	C, CN
30	3600	286TS	171781.60	√	5,004	C286T34FB10	435	208-230/460	67.0	93.0	1.15	26.46	C, CN
30	1800	286T	171782.60	√	4,665	C286T17FB12	455	208-230/460	70.0	94.1	1.15	27.83	C, CN
30	1200	326T	171783.60	√	7,510	C326T11FB12	636	230/460	77.0	93.6	1.15	31.02	C, CN
40	3600	324TS	171784.60	√	6,242	C324T34FB9	522	208-230/460	89.0	93.6	1.25	28.03	C, CN
40	1800	324T	171785.60	√	6,197	C324T17FB12	553	208-230/460	92.0	94.1	1.15	29.53	C, CN
40	1200	364T	171786.60	√	10,295	C364T11FB14	803	208-230/460	102.0	94.1	1.15	32.64	C, CN

Shaded model numbers are cast iron frame

Continued on next page

Green items are Premium Efficient

♥ Note listing on inside back flap
Specifications are subject to change without notice



Severe Duty Motors

Premium Efficient Severe Duty - WATTSaver® e Plus

Three Phase - TEFC - Rigid Base

HP	SYN RPM 60 Hz	NEMA Frame	Catalog Number	Stock	List Price	Model Number	App. Wgt. (lbs)	Voltage	F. L. Amps @ 230 V	% F.L. Eff.	Service Factor	"C" Dim. (Inches)	♥Notes
50	3600	326TS	171787.60	√	7,580	C326T34FB10	578	208-230/460	111	94.5	1.25	29.53	C, CN
50	1800	326T	171788.60	√	7,485	C326T17FB13	612	208-230/460	117	94.5	1.15	31.02	C, CN
50	1200	365T	171789.60	√	12,356	C365T11FB14	698	208-230/460	124	94.1	1.15	33.62	C, CN
60	3600	364TS	171790.60	√	11,245	C364T34FW1	770	208-230/460	136	94.1	1.15	30.51	C, CN
60	1800	364T	171791.60	√	10,645	C364T17FB12	903	208-230/460	137	95.4	1.15	32.64	C, CN
60	1200	404T	171792.60	√	14,573	C404T11FB11	1050	208-230/460	142	94.5	1.25	36.42	C, CN
75	3600	365TS	171793.60	√	13,774	C365T34FB9	822	208-230/460	169	94.5	1.15	31.50	C, CN
75	1800	365T	171794.60	√	13,284	C365T17FB11	1050	208-230/460	171	95.8	1.15	33.62	C, CN
75	1200	405T	171795.60	√	15,360	C405T11FB12	1020	208-230/460	176	95.0	1.15	38.91	C, CN
100	3600	405TS	171796.60	√	16,960	C405T34FB11	1018	208-230/460	218	95.0	1.15	35.92	C, CN
100	1800	405T	171797.60	√	16,520	C405T17FB10	1121	208-230/460	225	95.4	1.15	39.40	C, CN
100	1200	444T	171798.60	√	21,867	C444T11FB11	1480	460	121*	95.0	1.15	43.87	C, CN
125	3600	444TS	171799.60	√	20,251	C444T34FB12	1405	460	132*	95.0	1.15	41.10	C, CN
125	1800	444T	171800.60	√	21,934	C444T17FB12	1605	460	137*	95.4	1.15	43.87	C, CN
125	1200	445T	171801.60	√	24,707	C445T11FB9	1630	460	155*	95.4	1.15	45.88	C, CN
150	3600	445TS	171802.60	√	24,994	C445T34FB7	1560	460	161*	95.0	1.15	45.88	C, CN
150	1800	445T	171803.60	√	25,094	C445T17FB14	1670	460	163*	95.8	1.15	45.88	C, CN
150	1200	447T	171804.60	√	27,861	C447T11FB7	2270	460	185*	95.8	1.15	49.00	C, CN
200	3600	447TS	171805.60	√	28,786	C447T34FB7	2135	460	216*	95.4	1.15	49.00	C, CN
200	1800	447T	171806.60	√	28,741	C447T17FB11	2820	460	216*	96.2	1.15	49.00	C, CN
200	1200	449T	171807.60	√	36,493	C449T11FB7	2590	460	241*	96.2	1.15	53.80	C, CN

Shaded model numbers are cast iron frame

♥ Note listing on inside back flap
Specifications are subject to change without notice

Green items are Premium Efficient

*FL. Amps @ 460 volts



Severe Duty Motors

Premium Efficient Severe Duty - WATTSaver® e Plus

Tech Information

Three Phase - TEFC - Rigid C Face

HP	SYN RPM 60 Hz	NEMA Frame	Catalog Number	Stock	List Price	Model Number	App. Wgt. (lbs)	Voltage	F. L. Amps @ 230 V	% FL. Eff.	Service Factor	"C" Dim. (Inches)	♥Notes
3	1800	182TC	171815.60	√	1,314	182T17WK1	125	208-230/460	7.8	90.2	1.15	15.89	C, CN
3	1200	213TC	171816.60	√	1,854	213T11WK1	142	208-230/460	9.4	89.5	1.15	18.19	C, CN
5	1800	184TC	171817.60	√	1,361	184T17WK1	131	208-230/460	12.8	89.5	1.15	16.80	C, CN
5	1200	215TC	171818.60	√	2,074	215T11WK1	180	230/460	14.4	89.5	1.15	19.61	C, CN
7 1/2	1800	213TC	171819.60	√	1,823	213T17WK1	155	230/460	18.6	91.7	1.15	18.19	C, CN
7 1/2	1200	254TC	171820.60	√	2,697	254T11WK1	249	208-230/460	22.2	91.7	1.15	23.19	C, CN
10	1800	215TC	171821.60	√	2,174	215T17WK1	177	208-230/460	25.0	91.7	1.15	19.61	C, CN
10	1200	256TC	171822.60	√	3,857	256T11WK1	300	208-230/460	29.0	91.7	1.15	24.92	C, CN
15	1800	254TC	171823.60	√	2,947	254T17WK1	284	230/460	36.0	92.4	1.15	23.19	C, CN
15	1200	284TC	171824.60	√	5,221	284T11WK1	333	208-230/460	40.6	92.4	1.15	26.26	C, CN
20	1800	256TC	171825.60	√	3,680	256T17WK1	325	230/460	49.0	93.0	1.15	24.92	C, CN
20	1200	286TC	171826.60	√	6,523	286T11WK1	423	208-230/460	54.0	92.4	1.15	27.83	C, CN
25	1800	284TC	171827.60	√	4,292	284T17WK1	388	230/460	59.0	93.6	1.15	26.26	C, CN
25	1200	324TC	171828.60	√	7,172	324T11WK1	578	208-230/460	66.0	93.6	1.15	29.53	C, CN
30	1800	286TC	171829.60	√	5,000	286T17WK1	436	230/460	70.0	94.1	1.15	27.83	C, CN
30	1200	326TC	171830.60	√	8,051	326T11WK1	646	208-230/460	77.0	93.6	1.15	31.02	C, CN
40	1800	324TC	171831.60	√	6,643	324T17WK1	532	230/460	92.0	94.1	1.15	29.53	C, CN
40	1200	364TC	171832.60	√	11,036	364T11WK1	816	208-230/460	102	94.1	1.15	32.64	C, CN
50	1800	326TC	171833.60	√	8,024	326T17WK1	592	230/460	117	94.5	1.15	31.02	C, CN
50	1200	365TC	171834.60	√	13,246	365T11WK1	712	208-230/460	124	94.1	1.15	33.62	C, CN
60	1800	364TC	171835.60	√	11,412	364T17WK1	670	230/460	137	95.4	1.15	32.64	C, CN
60	1200	404TC	171836.60	√	15,622	404T11WK1	1062	208-230/460	142	94.5	1.15	36.42	C, CN
75	1800	365TC	171837.60	√	14,240	365T17WK1	739	230/460	171	95.8	1.15	33.62	C, CN
75	1200	405TC	171838.60	√	16,466	405T11WK1	1066	208-230/460	176	95.0	1.15	37.91	C, CN
100	1800	405TC	171839.60	√	17,710	405T17WK1	1076	230/460	225	95.4	1.15	37.91	C, CN
100	1200	444TC	171840.60	√	23,441	444T11WK1	1492	460	121*	95.0	1.15	42.87	C, CN

Shaded model numbers are cast iron frame

♥ Note listing on inside back flap
Specifications are subject to change without notice

Green items are Premium Efficient

*FL. Amps @ 460 volts

Single Phase
ODP Motors

Single Phase
TEFC Motors

Three Phase
ODP Motors

Three Phase
TEFC Motors

Inverter Duty
Motors

Severe Duty
Motors

Explosion Proof
Motors

Automotive
Duty Motors



Severe Duty Motors

Lincoln Severe Duty

General Specifications:

Cast iron designed motors that are designed for use in pulp and paper mills, foundries, chemical plants or any severe duty application.

Features:

- Meets Ford* EM1-1996 Spec.
- 460 volt - 3 lead designs
- Full cast iron construction
- Class F insulation
- Shielded ball bearing construction



Three Phase - TEFC - Rigid Base

HP	SYN RPM 60 Hz	NEMA Frame	▼ Catalog Number	Stock	List Price	Model Number	App. Wgt. (lbs)	Voltage	F. L. Amps @ 230 V	% FL. Eff.	Service Factor	"C" Dim. (Inches)	♥Notes
1	1800	143T	LM32856	C/A	946	CCS4B1T61	59	208-230/460	3.3	84.0	1.15	14.17	C, US
1	1200	145T	LM32857	C/A	1,179	CCS6B1T61	57	208-230/460	3.6	82.5	1.15	14.29	C, US
2	1800	145T	LM32862	√	1,054	CCS4B2T61	64	208-230/460	6.0	86.5	1.25	14.30	C, US
3	1800	182T	LM16644	C/A	1,281	CCS4B3T61T5	104	208-230/460	8.0	90.2	1.25	15.20	C, US
5	1800	184T	LM16650	C/A	1,400	CCS4B5T61T5	138	208-230/460	12.4	90.2	1.15	16.20	C, US
7 1/2	1800	213T	LM32869	C/A	1,827	CCS4B75T61	223	208-230/460	19.4	91.7	1.15	19.70	C, US
10	1800	215T	LM16919	C/A	2,308	CCS4B10T61	213	208-230/460	25.0	91.7	1.25	19.63	C, US
15	1800	254T	LM32873	C/A	2,891	CCS4B15T61	322	208-230/460	37.5	92.4	1.15	23.52	C, US
20	1800	256T	LM32876	C/A	3,727	CCS4B20T61	368	208-230/460	48.0	93.0	1.15	25.30	C, US
25	1800	284T	LM32879	C/A	4,387	CCS4B25T61Y	495	208-230/460	62.0	93.6	1.25	26.30	C, US
30	1800	286T	LM32882	C/A	5,183	CCS4B30T61Y	519	208-230/460	73.0	94.1	1.15	27.84	C, US
40	1800	324T	LM32885	C/A	6,843	CCS4B40T61Y	835	208-230/460	—	94.1	1.15	—	C, US
50	1800	326T	LM32887	C/A	7,970	CCS4B50T61Y	692	208-230/460	120	94.5	1.15	30.40	C, US
60	1800	364T	LM32890	C/A	12,886	CCS4B60T61Y	980	208-230/460	—	95.0	1.15	—	C, US
75	1800	365T	LM32893	C/A	14,619	CCS4B75T61Y	1018	208-230/460	172	95.4	1.15	32.50	C, US
100	1800	405T	LM32896	C/A	17,681	CCS4B100T61Y	1338	208-230/460	226	95.4	1.15	37.10	C, US
125	1800	444T	LM32899	C/A	22,516	CCS4B125T64Y	1874	460	*	95.4	1.15	—	C, US
150	1800	445T	LM32902	C/A	29,231	CCS4B150T64Y	2070	460	*	95.8	1.15	—	C, US
200	1800	449T	LM32905	C/A	33,257	CCS4B200T64Y	2305	460	224*	96.2	1.15	51.80	C, US
250	1800	449T	LM34101	C/A	37,616	CCS4B250T64Y	2572	460	285*	96.5	1.15	51.80	C, US
300	1800	449T	LM14642	C/A	38,142	CCS4B300T64Y	2572	460	341*	96.2	1.15	51.80	C, US
300	1800	449T	LM22909	C/A	38,142	CCS4B300T64	2572	460	341*	96.2	1.15	51.84	C, US

Shaded model numbers are cast iron frame

Green items are Premium Efficient

▼ LM Numbers are Lincoln Models

C/A - Check Availability

*FL. Amps @ 460 volts

♥ Note listing on inside back flap
Specifications are subject to change without notice



*Ford is believed to be the trademark or trade name of Ford Motor Company and is not controlled by Regal Beloit Corporation.

Severe Duty Motors

Lincoln ODP-Encapsulated Multiguard® Motors

Tech Information

Single Phase
ODP Motors

Single Phase
TEFC Motors

Three Phase
ODP Motors

Three Phase
TEFC Motors

Inverter Duty
Motors

Severe Duty
Motors

Explosion Proof
Motors

Automotive
Duty Motors

General Specifications:

Multiguard motors utilize an ODP enclosure utilizing an impregnated and encapsulated process to seal the winding endcoils from contamination. This process protects the windings from moisture, vibration, and some chemical actions.

Features:

- Encapsulated windings
- Durable steel frame construction
- NEMA® design B performance
- 284T - 405T: Y-delta start on either voltage
- 444T - 445T: Y-delta start and part-winding start
- 3-year warranty
- Made in the U.S.A.
- NOT FOR USE WITH VFDs
- Contact sales office for 50HZ ratings as the frame sizes will change from 60HZ



Three Phase - Drip-Proof - Rigid Base

HP	SYN RPM 60 Hz	NEMA Frame	▼ Catalog Number	Stock	List Price	Model Number	App. Wgt. (lbs)	Voltage	F. L. Amps @ 230 V	% F.L. Eff.	Service Factor	"C" Dim. (Inches)	♥Notes
40	1800	324T	LM34365	√	10,004	MD4B40T61	431	230/460	101.0	94.1	1.0	26.01	S, US
40	1800	324TS	LM34366	C/A	9,989	MD4B40TS61		230/460		94.1	1.0		S, US
50	1800	326T	LM34368	√	11,280	MD4B50T61	488	230/460	132.0	94.5	1.0	27.32	S, US
60	1800	364T	LM34370	C/A	13,235	MD4B60T61	660	230/460	141.0	94.5	1.0	28.40	S, US
75	1800	365T	LM34371	√	13,974	MD4B75T61	644	230/460	177.0	95.0	1.0	29.40	S, US
75	1200	405T	LM34373	C/A	19,855	MD6B75T61		230/460		91.7	1.0		S, US
100	1800	404T	LM34375	C/A	14,054	MD4B100T61	887	230/460	246.0	95.4	1.0	31.81	S, US
125	1800	405T	LM34377	√	15,375	MD4B125T61	987	230/460	298.0	95.4	1.0	33.31	S, US
125	1800	405TS	LM34378	C/A	15,375	MD4B125TS61	972	230/460	298	95.4	1.0	30.68	S, US
150	1800	444T	LM34380	√	18,029	MD4B150T64PY	1253	460	171*	95.8	1.0	37.43	S, US
200	1800	445T	LM34381	C/A	22,002	MD4B200T64PY	1422	460	228*	95.8	1.0	39.43	S, US
250	1800	447T	LM34382	C/A	22,997	MD4B250T64PY	1436	460	284*	95.8	1.0	42.93	S, US

Green items are Premium Efficient

▼ LM Numbers are Lincoln Models
 D - Item to be discontinued once inventory is depleted
 C/A - Check Availability
 *F.L. Amps @ 460 volts

Continued on next page

♥ Note listing on inside back flap
 Specifications are subject to change without notice

Severe Duty Motors

Lincoln ODP-Encapsulated Multiguard® Motors

Three Phase - Drip-Proof - Rigid Base

HP	SYN RPM 60 Hz	NEMA Frame	▼ Catalog Number	Stock	List Price	Model Number	App. Wgt. (lbs)	Voltage	F. L. Amps @ 230 V	% F.L. Eff.	Service Factor	"C" Dim. (Inches)	♥Notes
40	1800	324TC	LM34389	C/A	10,132	MDBS40TC61	496	230/460	101	94.1	1.0		S, US
50	1800	326TC	LM34390	C/A	11,094	MD4B50TC61		230/460		94.5	1.0		S, US
60	1800	364TC	LM34391	C/A	14,399	MD4S60TC61		230/460		95.0	1.0		S, US
60	1800	364TSC	LM34392	C/A	14,399	MD4B60TSC61	654	230/460	141	95.0	1.0	26.27	S, US
75	1800	365TC	LM34393	C/A	14,949	MD4B75TC61	709	230/460	177	95.0	1.0	29.35	S, US
75	1800	365TSC	LM34394	C/A	14,949	MD4B75TSC61	729	230/460	177	95.0	1.0	27.27	S, US
100	1800	404TC	LM34395	C/A	15,284	MD4B100TC61	881	230/460	246	95.4	1.0	32.16	S, US
100	1800	404TSC	LM34396	C/A	15,284	MD4B100TSC61	897	230/460	246	95.4	1.0	29.16	S, US
125	1800	405TC	LM34397	C/A	15,642	MD4B125TC61		230/460		95.4	1.0		S, US
125	1800	405TSC	LM34398	C/A	14,462	MD4B125TSC61	988	230/460	298	95.4	1.0	30.66	S, US
150	1800	444TSC	LM34399	C/A	19,025	MD4B150TSC64PY		460		95.8	1.0		S, US
200	1800	445TSC	LM34400	C/A	22,996	MD4B200TSC64PY	1435	460	222*	95.8	1.0	35.00	S, US

Green items are Premium Efficient

▼ LM Numbers are Lincoln Models

D - Item to be discontinued once inventory is depleted

C/A - Check Availability

*F.L. Amps @ 460 volts

♥ Note listing on inside back flap
Specifications are subject to change without notice

Lincoln ODP-Encapsulated Multiguard® Motors

Three Phase - Drip-Proof - Double C Face/Double Shaft - With Base

HP	SYN RPM 60 Hz	NEMA Frame	▼ Catalog Number	Stock	List Price	Model Number	App. Wgt. (lbs)	Voltage	F. L. Amps @ 230 V	% F.L. Eff.	Service Factor	"C" Dim. (Inches)	♥Notes
40	1800	324TC	LM34403	C/A	11,721	MD4B40TCTMC61Y	462	230/460	101	94.1	1.0	30.88	S, US
40	1800	324TSC	LM34404	C/A	11,107	MD4B40TSTSC61		230/460	101	94.1	1.0	28.50	S, US
50	1800	326TC	LM34405	C/A	13,006	MD4B50TCTMC61		230/460		94.5	1.0		S, US
50	1800	326TSC	LM34406	C/A	13,006	MD4B50TSTSC61Y		230/460		94.5	1.0		S, US
60	1800	364TC	LM34407	C/A	15,701	MD4B60TCTMC61		230/460		95.0	1.0		S, US
60	1800	364TSC	LM34408	C/A	15,701	MD4B60TSTSC61		230/460		95.0	1.0		S, US
75	1800	365TC	LM34409	C/A	16,481	MD4B75TCTMC61		230/460		95.0	1.0		S, US
75	1800	365TSC	LM34410	C/A	16,481	MD4B75TSTSC61Y	732	230/460	177	95.0	1.0	31.41	S, US
100	1800	404TSC	LM34411	C/A	15,416	MD4B100TSTSC61		230/460	246	95.4	1.0	34.00	S, US
125	1800	405TSC	LM34412	C/A	15,877	MD4B125TSTSC61		230/460		95.4	1.0		S, US
150	1800	444TSC	LM34414	C/A	20,127	MD4B150TSTSC64PY	1272	460		95.8	1.0		S, US

Green items are Premium Efficient

▼ LM Numbers are Lincoln Models

C/A - Check Availability

*F.L. Amps @ 460 volts

♥ Note listing on inside back flap
Specifications are subject to change without notice

CUSTOMIZED AND MODIFIED PRODUCTS



Custom Motors, Gearboxes & Gearmotors

LEESON is a leading designer and manufacturer of application-specific AC and DC motors and gearmotors in sub-fractional, fractional and integral horsepower sizes. We offer a database of over 30,000 custom designs, experienced application and design engineering teams to ensure the best, most cost-effective custom motor solution.

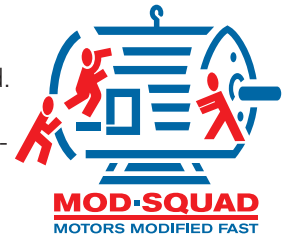
Custom Multi-Speed & Low-Speed Motors

LEESON's PDQ Modular Production Program utilizes specially designed and standard components to make almost any imaginable NEMA® frame multi-speed or low-speed motor available when you need it. We pride ourselves on fast turnaround times on highly customized motors.

Custom motors include two, three and four-speed motors and speed ranges of 900, 720, 600, 450 and 300 RPMs. We also specialize in non-standard shaft designs. For quotations, availability and application assistance, contact your local LEESON sales office.

Mod-Squad Program

Quick-turnaround stock motor modifications are available through the LEESON Motor Mod-Squad. Adding cords or switches, changing mountings, extending leads and incorporating various severe-duty features are among the many standard modifications offered.



For complete stock products information, visit our online technical database at www.leeson.com/findaproduct.



Explosion Proof Motors

Tech Information

Single Phase
ODP Motors

Single Phase
TEFC Motors

Three Phase
ODP Motors

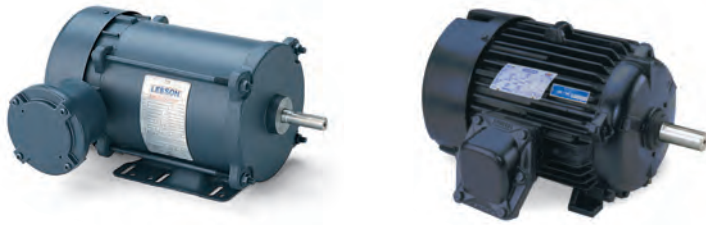
Three Phase
TEFC Motors

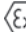
Inverter Duty
Motors

Severe Duty
Motors

Explosion Proof
Motors

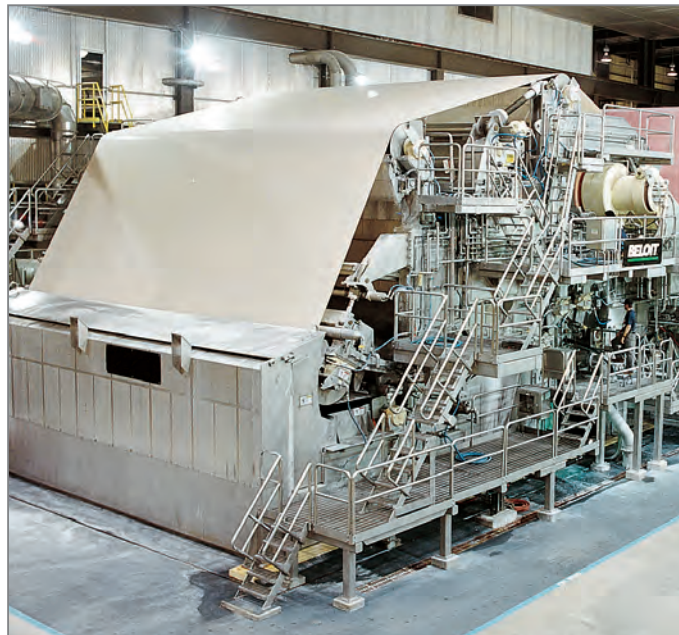
Automotive
Duty Motors



- Meets all UL and CSA safety requirements
- Single and three phase motors
- Double shielded ball bearings
- Automatic overload protection or thermostat protected
- Includes explosion proof conduit box
- NEMA® 1.0 or 1.15 service factor
- 1-year warranty
- 3-year warranty on premium efficient models
- ATEX  Zone 2 & 22 ratings available

Applications:

These motors must be applied in accordance with the National Electrical Code, Article #500. Consult NFPA Publication 497M for a complete listing of explosive agents that are typically found in the environments that these motors are exposed to.



Application Notes:

These motors must be applied in accordance with the National Electrical Code, Article #500. A partial listing of explosive agents is noted below. Consult NFPA Publication 497M for a complete listing. Please note subheads above each column for qualifications of LEESON® motors.

Features:

- Meets UL and CSA safety requirements
- Automatic overload or thermostat protected
- Explosion rated conduit box included
- Internal mounted capacitors
- Double shielded ball bearings
- Meets temperature code T3B

Rating Information:

According to UL Division I areas are environments where a hazard is present continuously or would be subject to fire or explosion if the hazard was present as a result of an accident or uncommon occurrence.

Division II areas are environments where the threat of fire or explosion is not normally present and not likely to result in the event of an abnormal occurrence.

Application Notes:

Class I

Group A: Acetylene

Group B: Butadiene, ethylene oxide, hydrogen, propylene oxide, manufactured gases containing more than 30% hydrogen by volume.

Group C: Acetaldehyde, cyclopropane, diethyl ether, ethylene.

Group D: Acetone, acrylonitrile, ammonia, benzene, butane, ethanol, ethylene dichloride, gasoline, hexane, isoprene, methane (natural gas), methanol, naphtha, propane, propylene, styrene, toluene, vinyl acetate, vinyl chloride, xylene.

Class II

Group E: Aluminum, magnesium and other metal dusts with similar characteristics.

Group F: Carbon black, coke or coal dust.

Group G: Flour, starch or grain dust.

Note: No LEESON motors are listed for Class I, Group A or B for Division I.

Please contact your local LEESON sales office for ATEX certified motors, zone 2 and 22.



Explosion-Proof Motors

Single Phase - Rigid Base

Division I, Class I, Groups C&D - Class II, Groups F&G - W/Conduit Box

HP	SYN RPM 60 Hz	NEMA Frame	Catalog Number	Stock	List Price	Model Number	App. Wgt. (lbs)	Voltage	Over-load Prot.	F. L. Amps @ 230 V	Service Factor	"C" Dim. (Inches)	♥Notes
1/3	1800	56	111074.00	√	845	A6C17EB20	35	115/230	Auto.	2.9	1.00	12.97	S, US, 12
1/2	1800	56H	111084.00	√	932	A6C17XB22	41	115/230	Auto.	4.4	1.00	13.58	S, US, 6, 13
3/4	1800	56H	110934.00	√	1,100	A6C17XB21	46	115/230	Auto.	5.5	1.00	14.08	S, US, 6, 13
1	1800	56H	110961.00	√	1,249	A6C17XB20	47	115/230	Auto.	6.7	1.00	14.08	S, US, 6, 13

Note 12 - TENV
Note 13 - TEFC

♥ Note listing on inside back flap
Specifications are subject to change without notice

Single Phase - C Face Less Base

Division I, Class I, Groups C&D - Class II, Groups F&G - W/Conduit Box

HP	SYN RPM 60 Hz	NEMA Frame	Catalog Number	Stock	List Price	Model Number	App. Wgt. (lbs)	Voltage	Over-load Prot.	F. L. Amps @ 230 V	Service Factor	"C" Dim. (Inches)	♥Notes
3-Jan	3600	56C	111095.00	√	889	A6C34EC20	38	115/230	Auto.	2.2	1.00	13.44	S, US, 13
1/3	1800	56C	111075.00	√	932	A6C17EC20	41	115/230	Auto.	2.9	1.00	12.97	S, US, 12
1/2	3600	56C	111098.00	√	899	A6C34XC22	35	115/230	Auto.	4.2	1.00	13.44	S, US, 13
1/2	3600	56J	116188.00	√	848	A6C34XC31	35	115/230	Auto.	3.8	1.00	13.96	S, US, 13
1/2	1800	56C	111085.00	√	1,034	A6C17XC22	45	115/230	Auto.	4.4	1.00	13.94	S, US, 13
3/4	3600	56C	111097.00	√	964	A6C34XC21	40	115/230	Auto.	5.0	1.00	13.96	S, US, 13
3/4	3600	56J	116186.00	√	956	A6C34XC32	40	115/230	Auto.	5.0	1.00	14.46	S, US, 13
3/4	1800	56C	111086.00	√	1,147	A6C17XC21	50	115/230	Auto.	5.5	1.00	14.44	S, US, 13
1	3600	56C	111096.00	√	1,034	A6C34XC20	49	115/230	Auto.	6.2	1.00	14.44	S, US, 13
1	3600	56J	116185.00	√	1,025	A6C34XC33	49	115/230	Auto.	6.0	1.00	14.96	S, US, 13
1	1800	56C	110852.00	√	1,309	A6C17XC20	53	115/230	Auto.	6.7	1.00	14.44	S, US, 13
1 1/2	3600	56C	114424.00	√	1,281	A6C34XC26	44	115/230	Auto.	8.5	1.00	14.96	S, US, 13
1 1/2	3600	56J	116183.00	√	1,314	A6C34XC34	54	115/230	Auto.	8.5	1.00	14.95	S, US, 13
2	3600	56C	114425.00	√	1,405	A6C34XC27	54	115/230	Auto.	10.5	1.00	14.94	S, US, 13
2	3600	56J	116181.00	√	1,429	A6C34XC35	54	115/230	Auto.	10.5	1.00	15.45	S, US, 13

Note 12 - TENV
Note 13 - TEFC

♥ Note listing on inside back flap
Specifications are subject to change without notice

Single Phase - C Face With Base

Division I, Class I, Groups C&D - Class II, Groups F&G - W/Conduit Box

HP	SYN RPM 60 Hz	NEMA Frame	Catalog Number	Stock	List Price	Model Number	App. Wgt. (lbs)	Voltage	Over-load Prot.	F. L. Amps @ 230 V	Service Factor	"C" Dim. (Inches)	♥Notes
3-Jan	3600	56C	116605.00	√	891	A6C34XK7	39	115/230	Auto.	2.6	1.00	13.44	S, US, 13
1/3	1800	56C	116606.00	√	931	A6C17XK33	42	115/230	Auto.	3.3	1.00	13.44	S, US, 13
1/3	1200	56C	116607.00	√	1,066	A6C17XK31	45	115/230	Auto.	3.9	1.00	13.94	S, US, 6, 13
1/2	3600	56C	116608.00	√	898	A6C34XK6	36	115/230	Auto.	3.8	1.00	13.44	S, US, 6, 13
1/2	1800	56C	116609.00	√	1,032	A6C17XK32	46	115/230	Auto.	4.4	1.00	13.94	S, US, 6, 13
1/2	1200	56HC	116610.00	√	1,156	A6C17XK34	56	115/230	Auto.	4.7	1.00	14.94	S, US, 6, 13
3/4	3600	56C	116611.00	√	961	A6C34XK5	41	115/230	Auto.	5.3	1.00	13.94	S, US, 6, 13
3/4	1800	56C	116612.00	√	1,141	A6C17XK30	51	115/230	Auto.	5.5	1.00	14.44	S, US, 6, 13
1	3600	56C	116613.00	√	1,032	A6C34XK4	50	115/230	Auto.	6.3	1.00	14.44	S, US, 6, 13
1	1800	56C	116614.00	√	1,257	A6C17XK29	54	115/230	Auto.	6.7	1.00	14.44	S, US, 6, 13
1 1/2	3600	56C	116615.00	√	1,463	A6C34XK3	45	115/230	Auto.	8.5	1.00	14.44	S, US, 6, 13
2	3600	56C	116616.00	√	1,793	A6C34XK2	58	115/230	Auto.	10.5	1.00	14.94	S, US, 6, 13

Note 13 - TEFC

♥ Note listing on inside back flap
Specifications are subject to change without notice



Explosion-Proof Motors

Three Phase - Rigid Base

Division I, Division II, Class I, Groups C&D - Class II, Groups F&G - W/Conduit Box

HP	SYN RPM 60 Hz	NEMA Frame	Catalog Number	Stock	List Price	Model Number	App. Wgt. (lbs)	Voltage	Over-load Prot.	F. L. Amps @ 230 V	% F.L. Eff	Service Factor	"C" Dim. (Inches)	♥Notes
25	3600	284TS	825096.00	√	5,573	284TSGN16505	413	230/460	T-Stat	56.2	91.7	1.15	25.44	C, US
25	1800	284T	825097.00	√	5,006	284TTGN16538	374	230/460	T-Stat	62.0	93.6	1.15	26.80	C, US
25	1200	324T	825412.00	√	9,815	324TTGS16584	681	230/460	T-Stat	65.0	93.0	1.00	28.87	C, US
30	3600	286TS	825098.00	√	5,686	286TSTN16504	464	230/460	T-Stat	67.6	91.7	1.15	26.94	C, US
30	1800	286T	825099.00	√	5,640	286TTGN16033	464	230/460	T-Stat	73.0	93.6	1.15	28.30	C, US
30	1200	326T	825413.00	√	10,671	326TTGS16581	900	230/460	T-Stat	77.0	93.0	1.00	30.37	C, US
40	3600	324TS	825100.00	√	7,864	324TSTGS16002	515	230/460	T-Stat	94.0	92.4	1.15	27.87	C, US
40	1800	324T	825101.00	√	7,576	324TTGS16037	535	230/460	T-Stat	95.0	94.1	1.15	29.37	C, US
40	1200	364T	825414.00	√	12,832	364TTGS16581	1151	230/460	T-Stat	100	93.6	1.00	31.50	C, US
50	3600	326TS	825102.00	√	9,893	326TSTGS16503	585	230/460	T-Stat	116	93.0	1.15	29.37	C, US
50	1800	326T	825103.00	√	9,829	326TTGS16540	585	230/460	T-Stat	120	94.5	1.00	30.57	C, US
50	1200	365T	825415.00	√	13,884	365TTGS16587	1099	230/460	T-Stat	123	94.5	1.00	32.50	C, US
60	3600	364TS	825104.00	C/A	14,134	364TSTGS16504	890	230/460	T-Stat	134	93.6	1.15	29.88	C, US
60	1800	364T	825105.00	√	13,534	364TTGS16035	992	230/460	T-Stat	138	95.0	1.15	32.00	C, US
60	1200	404T	825416.00	√	17,337	404TTGS16581	1295	230/460	T-Stat	144	94.5	1.00	35.62	C, US
75	3600	365TS	825106.00	√	16,333	365TSTGS16507	1025	230/460	T-Stat	168	93.6	1.15	30.88	C, US
75	1800	365T	825107.00	√	16,124	365TTGS16541	1053	230/460	T-Stat	172	95.4	1.15	33.00	C, US
75	1200	405T	825417.00	√	20,188	405TTGS16585	1388	230/460	T-Stat	180	94.5	1.00	37.12	C, US
100	3600	405TS	825108.00	C/A	22,095	405TSTGS16002	1168	230/460	T-Stat	216	94.1	1.15	34.62	C, US
100	1800	405T	825109.00	C/A	19,646	405TTGS16034	1322	230/460	T-Stat	226	95.4	1.15	37.62	C, US
100	1200	444T	825418.00	√	28,847	444TTGN16585	1813	230/460	T-Stat	248	95.0	1.00	41.35	C, US
125	3600	444TS	825110.00	C/A	30,501	444TSGN16503	1768	230/460	T-Stat	136	95.0	1.15	38.00	C, US
125	1800	444T	825111.00	C/A	25,629	444TTGN16032	1822	460	T-Stat	141*	95.4	1.15	41.75	C, US
125	1200	445T	825419.00	√	33,163	445TTGN16596	2200	460	T-Stat	155*	95.0	1.00	43.25	C, US
150	3600	445TS	825112.00	C/A	35,699	445TSTGN16002	2072	460	T-Stat	165*	95.0	1.15	38.00	C, US
150	1800	445T	825113.00	C/A	29,869	445TTGN16035	2072	460	T-Stat	172*	95.8	1.15	43.69	C, US
150	1200	445T	825420.00	√	35,647	445TTGN16595	2384	460	T-Stat	181*	95.8	1.00	43.35	C, US
200	3600	445TS	825114.00	C/A	43,564	445TSTGN16003	2332	460	T-Stat	222*	95.4	1.15	38.00	C, US
200	1800	445T	825115.00	C/A	35,303	445TTGN16036	2275	460	T-Stat	226*	96.2	1.15	43.69	C, US
200	1200	449T	825421.00	√	50,686	449TTGS16598	2878	460	T-Stat	240*	95.8	1.00	51.85	C, US
250	1800	447/449T	825339.00	C/A	41,861	449TTGS16045		460	T-Stat	285*	96.5	1.00	51.85	C, US
300	1800	449T	825431.00	C/A	44,649			460	T-Stat		96.2	1.00		C, US
350	1800	449T	825432.00	C/A	49,075			460	T-Stat		96.2	1.00		C, US

Shaded model numbers are cast iron frame

♥ Note listing on inside back flap

Specifications are subject to change without notice

Green items are Premium Efficient

Explosion proof motors having T-Stats are inverter rated

D - Item to be discontinued once inventory is depleted

C/A - Check Availability

* F.L. Amps @ 460 Volts



Explosion-Proof Motors

Three Phase - C Face Less Base

Division I, Division II, Class I, Groups C&D - Class II, Groups F&G - W/Conduit Box

HP	SYN RPM 60 Hz	NEMA Frame	Catalog Number	Stock	List Price	Model Number	App. Wgt. (lbs)	Voltage	Over-load Prot.	F. L. Amps @ 230 V	% FL. Eff	Service Factor	"C" Dim. (Inches)	♥Notes
1/3	3600	56C	111944.00	√	1,031	A6T34EC23	36	208-230/460	Auto	1.2	77.0	1.00	11.97	S, US, 12
1/3	1800	56C	111931.00	√	1,106	A6T17EC23	29	208-230/460	Auto	1.2	76.0	1.00	11.97	S, US, 12
1/3	1800	56C	117860.00	√	1,090	C6T17EC30	29	208-230/460	T-Stat	1.2	76.0	1.00	11.97	S, US, 12
1/2	3600	56C	111933.00	√	1,073	A6T34EC22	33	208-230/460	Auto	1.6	82.5	1.00	12.47	S, US, 12
1/2	3600	56J	116187.00	√	1,049	A6T34EC28	33	208-230/460	Auto	1.6	82.5	1.00	12.98	S, US, 12
1/2	1800	56C	111930.00	√	1,172	A6T17EC22	34	208-230/460	Auto	1.7	75.0	1.00	12.47	S, US, 12
1/2	1800	56C	117852.00	√	1,156	C6T17XC29	34	208-230/460	T-Stat	1.7	75.0	1.00	12.47	S, US, 12
3/4	3600	56C	111936.00	√	1,106	A6T34XC21	27	208-230/460	Auto	2.4	75.5	1.00	13.44	S, US, 13
3/4	1800	56C	111935.00	√	1,191	A6T17XC23	36	208-230/460	Auto	3.0	75.0	1.00	13.94	S, US, 13
3/4	1800	56C	117853.00	√	1,174	C6T17XC30	36	208-230/460	T-Stat	3.0	75.0	1.00	13.94	S, US, 13
1	3600	56C	119422.00	√	1,270	A6T17XC47	35	230/460	Auto	3.0	80.0	1.00	14.45	S, US, 13
1	3600	56J	116184.00	D	1,128	A6T34XC31	33	230/460	Auto	3.2	72.5	1.00	13.95	S, US, 13
1	3600	56J	119424.00	√	1,280	A6T34XC49	36	230/460	Auto	3.2	80.0	1.00	14.45	S, US, 13
1	1800	56C	111926.00	D	1,249	A6T17XC22	46	230/460	Auto	3.6	78.0	1.00	13.94	S, US, 13
1	1800	56C	119420.00	√	1,396	A6T17XC52	49	230/460	Auto	3.3	85.5	1.00	15.94	S, US, 13
1	1800	56C	119423.00	√	1,379	C6T17XC51	49	230/460	T-Stat	3.3	85.5	1.00	15.94	S, US, 13
1 1/2	3600	56C	111939.00	D	1,318	A6T34XC25	48	230/460	Auto	4.2	81.5	1.00	13.94	S, US, 13
1 1/2	3600	56C	119428.00	√	1,318	A6T34XC48	49	208-230/460	Auto	4.0	84.0	1.00	15.94	S, US, 13
1 1/2	3600	56J	119429.00	√	1,284	A6T34XC50	52	208-230/460	Auto	4.0	84.0	1.00	15.94	S, US, 13
1 1/2	1800	56C	119427.00	√	1,413	A6T17XC49	51	230/460	Auto	4.6	86.5	1.00	15.94	S, US, 13
1 1/2	1800	56C	117855.00	D	1,324	C6T17XC32	46	230/460	T-Stat	4.4	80.0	1.00	15.94	S, US, 13
1 1/2	1800	56C	119430.00	√	1,396	C6T17XC50	51	230/460	T-Stat	4.8	86.5	1.00	15.94	S, US, 13
2	3600	56C	113971.00	D	1,272	A6T34XC26	50	230/460	Auto	5.6	82.5	1.15	13.94	S, US, 13
2	3600	56C	119431.00	√	1,311	A6T34XC51	55	230/460	Auto	6.0	85.5	1.15	16.44	S, US, 13
2	3600	56J	119434.00	√	1,321	A6T34XC52	50	230/460	Auto	5.6	82.5	1.00	14.45	S, US, 13
2	1800	145TC	122174.00	√	1,529	A145T17XC9	60	230/460	Auto	6.0	86.5	1.00	16.50	S, US, 13
2	1800	145TC	122175.00	√	1,514	C145T17XC10	60	230/460	T-Stat	6.0	86.5	1.00	16.50	S, US, 13

Green items are Premium Efficient

D - Item to be discontinued once inventory is depleted
 Note 12 - TENV
 Note 13 - TEFC
 Explosion proof motors having T-Stats are inverter rated

Continued on next page

♥ Note listing on inside back flap
 Specifications are subject to change without notice



Tech Information

Single Phase
ODP Motors

Single Phase
TEFC Motors

Three Phase
ODP Motors

Three Phase
TEFC Motors

Inverter Duty
Motors

Severe Duty
Motors

Explosion Proof
Motors

Automotive
Duty Motors

Explosion-Proof Motors

Three Phase - C Face Less Base

Division I, Division II, Class I, Groups C&D - Class II, Groups F&G - W/Conduit Box

HP	SYN RPM 60 Hz	NEMA Frame	Catalog Number	Stock	List Price	Model Number	App. Wgt. (lbs)	Voltage	Over-load Prot.	F. L. Amps @ 230 V	% FL. Eff	Service Factor	"C" Dim. (Inches)	♥Notes
3	3600	56C	114419.00	D	1,641	A6T34XC28	54	230/460	Auto	7.6	84.0	1.00	15.44	S, US, 13
3	3600	56C	119435.00	√	1,641	A6T34XC53	59	208-230/460	Auto	7.6	86.5	1.00	15.94	S, US, 13
3	1800	182TC	825116.00	√	1,878	182TTGN16026	107	230/460	T-Stat	8.0	90.2	1.00	18.62	C, US, 13
5	3600	184TC	G825190.00	D	1,970	184TTGN4013	133	230/460	T-Stat	11.8	87.5	1.00	18.62	C, US, 13, †
5	3600	184TC	825190.00	C/A	2,014	184TTGN16003	170	230/460	T-Stat	11.8	88.5	1.00	18.62	C, US, 13
5	1800	184TC	825128.00	√	2,014	184TTGN16026	176	230/460	T-Stat	12.4	90.2	1.00	18.62	C, US, 13
7 1/2	3600	213TC	825348.00	C/A	3,024	213TTGN16510	258	230/460	T-Stat	19.0	90.2	1.15	23.45	C, US, 13
7 1/2	1800	213TC	825192.00	C/A	2,998	213TTGN16026	279	230/460	T-Stat	19.2	91.7	1.00	23.45	C, US, 13
10	3600	215TC	825193.00	C/A	3,179	215TTGN16005		230/460	T-Stat	24.0	90.2	1.00	23.45	C, US, 13
10	1800	215TC	825194.00	C/A	3,154	215TTGN16026	304	230/460	T-Stat	25.0	91.7	1.00	23.45	C, US, 13
15	1800	254TC	825196.00	C/A	4,718	254TTGN16033	416	230/460	T-Stat	92.4	92.4	1.00	25.77	C, US, 13
20	1800	256TC	825198.00	C/A	5,385	256TTGN16033		230/460	T-Stat	48.0	93.0	1.00	25.77	C, US, 13

Shaded model numbers are cast iron frame

♥ Note listing on inside back flap
Specifications are subject to change without notice

Green items are Premium Efficient

Note † - Explosion-proof motors are Class I, Group D – Class II, Groups F & G

D - Item to be discontinued once inventory is depleted

C/A - Check Availability

Note 13 - TEFC

Explosion proof motors having T-Stats are inverter rated

Tech Information

Single Phase ODP Motors

Single Phase TEFC Motors

Three Phase ODP Motors

Three Phase TEFC Motors

Inverter Duty Motors

Severe Duty Motors

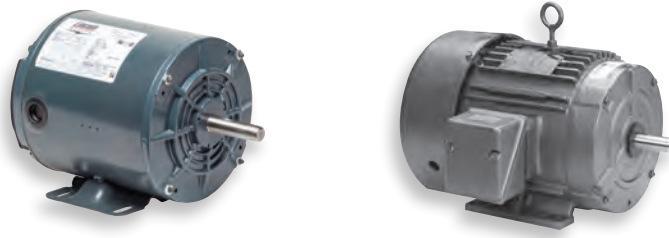
Explosion Proof Motors

Automotive Duty Motors



Automotive Duty Motors

Lincoln Automotive Duty Motors



- Meets NEMA® U-frame dimensions and performance
- Meets or exceeds General Motors GM-7EH, and -7EQ, Ford Emi and Chrysler NPEM-100 specifications
- NEMA design B performance
- Inverter rated
- Oversized cast iron conduit box with threaded conduit holes
- Lower noise designs
- Shielded ball bearing construction
- UL recognized component listing and CSA approved
- Nameplated 1.15 service factor, 40° ambient and 1.00 service factor, 65° ambient

Applications:

Ideally suited for a wide variety of tough applications found in automotive manufacturing facilities and other industries utilizing U-Frame motors, which would include pumps, conveyors and fans.



Automotive Duty Motors

Lincoln Automotive Duty Motors

Totally Enclosed - 56 Frame - 1/4 HP - 1 HP

Tech Information

Single Phase
ODP Motors

Single Phase
TEFC Motors

Three Phase
ODP Motors

Three Phase
TEFC Motors

Inverter Duty
Motors

Severe Duty
Motors

Explosion Proof
Motors

Automotive
Duty Motors

Features:

- NEMA® Design B Performance
- Steel frame/cast aluminum end brackets
- Premium Class F Insulation system
- Continuous Duty

Application Notes:

Ideally suited for use on pumps, fans, conveyors, gear boxes and other equipment located in automotive manufacturing facilities.



Three Phase - TEFC - Rigid Base

HP	SYN RPM 60 Hz	NEMA Frame	▼ Catalog Number	Stock	List Price	Model Number	App. Wgt. (lbs)	Voltage	F. L. Amps @ 460 V	% FL. Eff.	Service Factor	"C" Dim. (Inches)	♥ Notes
1/4	1800	56	LM25123	√	601	SRN4H0.25T61	22	230/460	1.1	68.0	1.00	9.94	S, MX
1/4	1200	56	LM25127	C/A	857	SRN6H0.25T61	28	230/460	1.2	73.4	1.00	10.94	S, MX
1/3	3600	56	LM25124	√	540	SRN2H0.33T61	20	230/460	2.0	64.0	1.00	9.94	S, US
1/3	1800	56	LM25115	C/A	639	SRN4H0.33T61	22	230/460	1.2	68.0	1.00	9.94	S, MX
1/3	1200	56	LM25116	C/A	867	SRN6H0.33T61	29	230/460	1.5	75.5	1.00	10.94	S, US
1/2	3600	56	LM25126	C/A	580	SRN2H0.5T61	23	230/460	1.6	74.0	1.00	9.94	S, US
1/2	1800	56	LM24258	√	730	SRN4H0.5T61	26	230/460	2.0	77.0	1.00	10.44	S, MX
1/2	1200	56	LM24268	√	957	SRN6H0.5T61	42	230/460	1.9	78.5	1.00	11.94	S, MX
3/4	3600	56	LM25133	C/A	663	SRN2H0.75T61	34	230/460	2.4	80.0	1.00	10.94	S, US
3/4	1800	56	LM24266	C/A	808	SRN4H0.75T61	30	230/460	2.4	81.5	1.00	10.94	S, MX
1	3600	56	LM25129	C/A	746	SRN2B1T61	41	230/460	2.8	82.5	1.00	11.94	S, US
1	1800	56	LM34178	C/A	800	SRF4B1T61	37	230/460	3.3	85.5	1.00	14.62	S, MX

Green items are Premium Efficient

▼ LM Numbers are Lincoln Models
C/A - Check Availability

♥ Note listing on inside back flap
Specifications are subject to change without notice



Automotive Duty Motors

Lincoln Automotive Duty Motors

Totally Enclosed - 56 Frame - 1/4 HP - 1 HP

Three Phase - C Face - Rigid Base

HP	SYN RPM 60 Hz	NEMA Frame	▼ Catalog Number	Stock	List Price	Model Number	App. Wgt. (lbs)	Voltage	F. L. Amps @ 230 V	% F.L. Eff.	Service Factor	"C" Dim. (Inches)	♥ Notes
1/4	1800	56C	LM25131	C/A	660	SRN4H0.25TC61	20	208-230/460	1.1	68.0	1.15	9.94	S, US
1/4	1200	56C	LM25135	√	921	SRN6H0.25TC61	24	208-230/460	1.2	73.4	1.00	10.94	S, US
1/3	3600	56C	LM25153	C/A	602	SRN2H0.33TC61	20	208-230/460	2.0	64.0	1.15	9.94	S, US
1/3	1800	56C	LM25149	C/A	702	SRN4H0.33TC61	22	208-230/460	1.2	68.0	1.00	9.94	S, US
1/2	3600	56C	LM25151	C/A	639	SRN2H0.5TC61	25	208-230/460	1.8	74.0	1.00	10.44	S, US
1/2	1800	56C	LM25114	√	793	SRN4H0.5TC61	24	208-230/460	2.0	77.0	1.00	10.44	S, MX
1/2	1200	56C	LM25134	C/A	1,018	SRN6H0.5TC61	42	208-230/460	1.9	78.5	1.00	11.94	S, MX
3/4	3600	56C	LM25119	C/A	727	SRN2H0.75TC61	34	208-230/460	2.4	80.0	1.00	10.94	S, US
3/4	1800	56C	LM25121	√	872	SRN4H0.75TC61	30	208-230/460	2.4	81.5	1.00	10.94	S, MX
1	3600	56C	LM25125	C/A	808	SRN2B1TC61	41	208-230/460	2.8	82.5	1.00	11.94	S, US
1	1800	56C	LM25117	D	699	SRF4H1TC61	29	208-230/460	3.6	77.0	1.00	12.31	S, MX
1	1800	56C	LM34180	√	876	SRF4B1TC61	35	208-230/460	3.3	85.5	1.00	14.15	S, MX, ■

Green items are Premium Efficient

▼ LM Numbers are Lincoln Models

■ meets 40° C @ 1.0 service factor

D - Item to be discontinued once inventory is depleted

C/A - Check Availability

♥ Note listing on inside back flap
Specifications are subject to change without notice

Three Phase - TEFC - C Face Less Base

HP	SYN RPM 60 Hz	NEMA Frame	▼ Catalog Number	Stock	List Price	Model Number	App. Wgt. (lbs)	Voltage	F. L. Amps @ 230 V	% F.L. Eff.	Service Factor	"C" Dim. (Inches)	♥ Notes
1/4	1800	56C	LM25136	√	660	SRN4H0.25TCN61	19	230/460	1.1	68.0	1.00	9.94	S, MX
1/3	3600	56C	LM25158	C/A	602	SRN2H0.33TCN61	21	230/460	2.0	64.0	1.00	9.94	S, US
1/3	1800	56C	LM25128	C/A	702	SRN4H0.33TCN61	21	230/460	1.2	68.0	1.00	9.94	S, MX
1/2	3600	56C	LM25154	C/A	639	SRN2H0.5TCN61	23	230/460	1.6	74.0	1.15	9.94	S, US
1/2	1800	56C	LM24259	C/A	793	SRN4H0.5TCN61	26	230/460	2.0	77.0	1.00	10.44	S, MX
3/4	3600	56C	LM25139	C/A	724	SRN2H0.75TCN61	26	230/460	2.0	80.0	1.15	11.94	S, US
3/4	1800	56C	LM24262	C/A	872	SRN4H0.75TCN61	25	230/460	2.4	81.5	1.00	10.94	S, MX
1	3600	56C	LM25112	C/A	808	SRN2B1TCN61	33	230/460	2.8	82.5	1.00	11.94	S, US
1	1800	56C	LM24271	D	699	SRF4H1TCN61	26	230/460	3.6	77.0	1.00	12.32	S, MX
1	1800	56C	LM34181	√	876	SRF4B1TCN61	33	230/460	3.3	85.5	1.00	14.15	S, MX

Green items are Premium Efficient

▼ LM Numbers are Lincoln Models

D - Item to be discontinued once inventory is depleted

C/A - Check Availability

♥ Note listing on inside back flap
Specifications are subject to change without notice

Automotive Duty Motors

Lincoln Automotive Duty Motors

U-Frame - Three Phase - 460 Volts

Tech Information

Single Phase
ODP Motors

Single Phase
TEFC Motors

Three Phase
ODP Motors

Three Phase
TEFC Motors

Inverter Duty
Motors

Severe Duty
Motors

Explosion Proof
Motors

Automotive
Duty Motors

Features:

- Meets NEMA® U-Frame dimensional and performance standards
- Meets or exceeds General Motors GM-7EH and -7EQ, Ford EM1, and Chrysler NPEM-100 specifications
- Full cast iron construction – all frame sizes
- Oversized, cast iron terminal box with threaded conduit holes
- NEMA Design B Performance
- Continuous Duty
- Inverter-Rated
- Premium Class F Insulation System

Application Notes:

Ideally suited for a wide variety of tough applications found in automotive manufacturing facilities and other industries utilizing U-Frame motors.

Lincoln U-Frame motors exceed NEMA MG-1, Section IV, Part 31 spike resistance requirements.

Three Phase - TEFC - Rigid Base

HP	SYN RPM 60 Hz	NEMA Frame	▼ Catalog Number	Stock	List Price	Model Number	App. Wgt. (lbs)	Voltage	F. L. Amps @ 460 V	% FL. Eff.	Service Factor	"C" Dim. (Inches)	♥Notes
3/4	1200	182U	LM21379	C/A	1,287	CCN6P0.75U64	89	460	1.3	82.5	1.00	12.21	C, US
1	1800	182U	LM21378	√	1,211	CCN4B1U64	110	460	1.5	87.5	1.00	12.21	C, US
1	1200	184U	LM21381	√	1,480	CCN6B1U64	108	460	1.7	86.5	1.00	13.21	C, US
1 1/2	3600	182U	LM21084	C/A	1,112	CCN2B1.5U64	108	460	2.0	85.5	1.00	12.21	C, US
1 1/2	1800	184U	LM21380	C/A	1,296	CCN4B1.5U64	108	460	2.1	88.8	1.00	13.21	C, US
1 1/2	1200	184U	LM20709	√	1,627	CCN6B1.5U64	99	460	2.2	87.5	1.00	13.21	C, US
2	3600	184U	LM21085	C/A	1,225	CCF2B2U64	120	460	2.7	85.5	1.00	15.69	C, US
2	1800	184U	LM20708	√	1,364	CCF4B2U64	120	460	2.6	89.5	1.00	15.69	C, US
2	1200	213U	LM34354	C/A	1,949	CCF6B2U64	177	460		88.5	1.00		C, US
3	3600	184U	LM20707	√	1,510	CCF2B3U64	120	460	3.8	87.5	1.00	15.69	C, US
3	1800	213U	LM34115	√	1,709	CCF4B3U64	177	460	3.9	89.5	1.00	19.25	C, US
3	1200	215U	LM20391	C/A	2,235	CCF6B3U64	170	460	4.4	89.5	1.00	19.32	C, US
5	3600	213U	LM34108	√	1,858	CCF2B5U64	174	460	5.9	91.0	1.00		C, US
5	1800	215U	LM20392	C/A	2,079	CCF4B5U64	170	460	6.5	89.5	1.00	19.32	C, US
5	1200	254U	LM21385	C/A	3,275	CCF6B5U64	260	460	6.7	90.2	1.00	23.27	C, US
7 1/2	3600	215U	LM34355	C/A	2,256	CCF2P7.5U64		460		91.7	1.00		C, US
7 1/2	1800	254U	LM21384	√	2,733	CCF4B7.5U64	260	460	9.6	91.7	1.00	23.44	C, US
7 1/2	1200	256U	LM20389	C/A	3,976	CCF6B7.5U64	332	460	9.9	91.0	1.00	25.02	C, US
10	3600	254U	LM21087	C/A	2,412	CCF2B10U64	260	460	12.0	89.5	1.00	23.44	C, US
10	1800	256U	LM20390	√	3,320	CCF4B10U64	260	460	12.5	91.7	1.00	25.19	C, US
15	3600	256U	LM20394	√	3,072	CCF2B15U64	260	460	17.5	91.7	1.00	25.02	C, US
15	1800	284U	LM21665	C/A	4,558	CCF4B15U64	525	460	18.0	92.4	1.00	26.52	C, US

Shaded model numbers are cast iron frame

♥ Note listing on inside back flap
Specifications are subject to change without notice

Green items are Premium Efficient

▼ LM Numbers are Lincoln Models

C/A - Check Availability



Automotive Duty Motors

Lincoln Automotive Duty Motors

U-Frame - Three Phase - 460 Volts

Three Phase - TEFC - Rigid Base

HP	SYN RPM 60 Hz	NEMA Frame	▼ Catalog Number	Stock	List Price	Model Number	App. Wgt. (lbs)	Voltage	F. L. Amps @ 460 V	% FL. Eff.	Service Factor	"C" Dim. (Inches)	♥Notes
20	3600	286U	LM21088	√	4,177	CCF2B20U64	525	460	23.4	90.2	1.00	28.02	C, US
20	1800	286U	LM20029	√	5,603	CCF4B20U64	525	460	24.1	93.0	1.00	28.02	C, US
25	3600	324U	LM21089	C/A	5,358	CCF2B25U64	748	460	28.1	93.6	1.00	29.34	C, US
25	3600	324US	LM21807	C/A	5,358	CCF2B25US64	748	460	28.1	93.6	1.00	26.97	C, US
25	1800	324U	LM34109	√	7,677	CCF4B25U64		460	31.0	93.6	1.00	29.34	C, US
30	3600	326US	LM34333	C/A	7,172	CCF2B30US64		460		91.7	1.00		C, US
30	1800	326U	LM20030	C/A	8,190	CCF4B30U64	748	460	36.0	94.1	1.00	30.74	C, US
40	3600	364US	LM21091	C/A	8,439	CCF2B40US64	908	460	45.0	93.6	1.00	29.38	C, US
40	1800	364U	LM21388	C/A	10,798	CCF4B40U64	977	460	47.0	94.1	1.00	32.00	C, US
50	3600	365US	LM21092	C/A	10,647	CCF2B50US64	980	460	56.0	94.1	1.00	30.38	C, US
50	3600	365U	LM21799	√	10,647	CCF2B50U64	980	460	56.0	94.1	1.00	33.00	C, US
50	1800	365U	LM19530	C/A	12,670	CCF4B50U64	1063	460	57.0	94.5	1.00	33.00	C, US
60	3600	405US	LM19532	C/A	12,668	CCF2B60US64	1130	460	66.0	94.1	1.00	34.12	C, US
60	1800	405U	LM21391	C/A	15,729	CCF4B60U64	1110	460	68.0	95.0	1.00	37.00	C, US
75	3600	444US	LM21093	C/A	16,646	CCF2B75US64	1685	460	84.0	94.1	1.00	38.94	C, US
75	1800	444U	LM34110	C/A	21,727	CCF4B75U64Y		460	85.0	95.4	1.00	43.47	C, US
75	1200	445U	LM19535	C/A	22,679	CCF6B75U64	1787	460	90.0	95.0	1.00	43.70	C, US
100	3600	445US	LM21094	C/A	21,999	CCF2B100US64	1685	460	113.0	95.4	1.00	38.94	C, US
100	1800	445U	LM19534	C/A	24,118	CCF4B100U64	1787	460	113.0	95.4	1.00	43.47	C, US

Shaded model numbers are cast iron frame

♥ Note listing on inside back flap

Specifications are subject to change without notice

Green items are Premium Efficient

▼ LM Numbers are Lincoln Models

C/A - Check Availability

U-Frame - Three Phase - 460 Volts -C Face Less Base

Three Phase - TEFC - C Face Less Base

HP	SYN RPM 60 Hz	NEMA Frame	▼ Catalog Number	Stock	List Price	Model Number	App. Wgt. (lbs)	Voltage	F. L. Amps @ 460 V	% FL. Eff.	Service Factor	"C" Dim. (Inches)	♥Notes
1	1800	182UC	LM23781	C/A	1,296	CCN4B1UCN64	108	460	1.5	87.5	1.00	12.96	C, US
1 1/2	1800	184UC	LM23783	C/A	1,381	CCN4B1.5UCN64	120	460	2.1	88.5	1.00	13.96	C, US
2	1800	184UC	LM23782	C/A	1,451	CCF4B2UCN64	132	460	2.6	89.5	1.00	16.22	C, US
3	1800	213UC	LM34356	C/A	1,916	CCF4B3UCN64		460		89.5	1.00		C, US
5	1800	215UC	LM24072	√	2,379	CCF4B5UCN64	181	460	6.5	89.5	1.00	18.58	C, US
7 1/2	1800	254UC	LM23784	C/A	2,867	CCF4B7.5UCN64	385	460	9.6	91.7	1.00	23.94	C, US

Shaded model numbers are cast iron frame

♥ Note listing on inside back flap

Specifications are subject to change without notice

Green items are Premium Efficient

▼ LM Numbers are Lincoln Models

C/A - Check Availability



Automotive Duty Motors

Lincoln Automotive Duty Motors

U-Frame - Three Phase - 460 Volts

Tech Information

Three Phase - TEFC - C Face With Base

HP	SYN RPM 60 Hz	NEMA Frame	▼ Catalog Number	Stock	List Price	Model Number	App. Wgt. (lbs)	Voltage	F. L. Amps @ 460 V	% F.L. Eff.	Service Factor	"C" Dim. (Inches)	♥ Notes
3/4	1200	182UC	LM21828	C/A	1,370	CCN6P0.75UC64	120	460	1.3	82.5	1.00	12.96	C, US
1	1800	182UC	LM21827	C/A	1,296	CCN4B1UC64	120	460	1.5	87.5	1.00	12.96	C, US
1 1/2	3600	182UC	LM21826	C/A	1,199	CCN2B1.5UC64	120	460	2.0	85.5	1.00	12.96	C, US
1 1/2	1800	184UC	LM21833	C/A	1,381	CCN4B1.5UC64	120	460	2.1	88.5	1.00	13.96	C, US
2	3600	184UC	LM21831	C/A	1,317	CCF2B2UC64	132	460	2.7	85.5	1.00	14.10	C, US
2	1800	184UC	LM21832	C/A	1,451	CCF4B2UC64	132	460	2.6	89.5	1.00	16.22	C, US
3	3600	184UC	LM21829	√	1,573	CCF2B3UC64	132	460	3.8	87.5	1.00	16.22	C, US
3	1800	213UC	LM34112	C/A	1,917	CCF4B3UC64		460	3.9	89.5	1.00	20.00	C, US
3	1200	215UC	LM21841	C/A	2,336	CCF6B3UC64	181	460	4.4	89.5	1.00	20.08	C, US
5	3600	213UC	LM21836	D	1,756	CCF2P5UC64	181	460	6.4	87.5	1.00	18.58	C, US
5	3600	213UC	LM34113	C/A	2,020	CCF2B5UC64	181	460	5.9	91.0	1.00	20.00	C, US
5	1800	215UC	LM21840	C/A	2,182	CCF4B5UC64	181	460	6.5	89.5	1.00	20.08	C, US
5	1200	254UC	LM21844	C/A	3,239	CCF6B5UC64	272	460	6.7	90.2	1.00	23.77	C, US
7 1/2	3600	215UC	LM34114	C/A	2,283	CCF2B7.5UC64		460	8.9	90.2	1.00	20.00	C, US
7 1/2	1800	254UC	LM21843	C/A	2,867	CCF4B7.5UC64	272	460	9.6	91.7	1.00	23.89	C, US
10	3600	254UC	LM34334	C/A	2,848	CCF2B10UC64		460	—	90.2	1.00	—	C, US
10	1800	256UC	LM21846	√	3,452	CCF4B10UC64	272	460	12.5	91.7	1.00	25.64	C, US
15	3600	256UC	LM21845	C/A	3,202	CCF2B15UC64	272	460	17.5	91.7	1.00	25.22	C, US
15	1800	284UC	LM21848	√	4,792	CCF4B15UC64	531	460	18.0	92.4	1.00	26.52	C, US
15	1200	324UC	LM21854	C/A	6,943	CCF6B15UC64	757	460	19.2	92.4	1.00	32.50	C, US
20	3600	286UC	LM21850	D	4,406	CCF2P20UC64	531	460	23.4	90.2	1.00	28.02	C, US
20	3600	286UC	LM34335	C/A	5,066	CCF2B20UC64		460		91.0	1.00		C, US
20	1800	286UC	LM21851	C/A	5,830	CCF4B20UC64	531	460	24.1	93.0	1.00	28.02	C, US
20	1200	326UC	LM21857	C/A	8,398	CCF6B20UC64	757	460	25.5	92.4	1.00	34.00	C, US
25	3600	324USC	LM21893	C/A	5,745	CCF2B25USC64	755	460	28.1	93.6	1.00	27.22	C, US
25	1800	324UC	LM21853	C/A	7,392	CCF4B25UC64	755	460	—	94.1	1.00	—	C, US
30	3600	326USC	LM34336	C/A	7,888	CCF2B30USC64		460	—	91.7	1.00	—	C, US
30	1800	326UC	LM21856	C/A	8,571	CCF4B30UC64	755	460	36.0	94.1	1.00	34.00	C, US
40	3600	364USC	LM21883	C/A	9,054	CCF2B40USC64	917	460	45.0	93.6	1.00	29.38	C, US
40	1800	364UC	LM21859	C/A	11,415	CCF4B40UC64	986	460	46.5	94.1	1.00	32.00	C, US
50	3600	365USC	LM21886	C/A	11,264	CCF2B50USC64	989	460	—	94.1	1.00	—	C, US
50	1800	365UC	LM21862	C/A	13,286	CCF4B50UC64	1072	460	57.0	94.5	1.00	33.00	C, US
60	3600	405USC	LM21890	C/A	13,396	CCF2B60USC64	1143	460	65.5	94.1	1.00	34.12	C, US
60	1800	405UC	LM21866	C/A	16,462	CCF4B60UC64	1123	460	67.5	95.0	1.00	37.00	C, US
75	3600	444USC	LM21877	C/A	17,552	CCF2B75USC64	1708	460	82.0	94.1	1.00	37.00	C, US
75	1800	444UC	LM34337	C/A	21,117	CCF4B75UC64		460	—	95.4	1.00	—	C, US
100	3600	445USC	LM21896	C/A	22,902	CCF2B100USC64	1708	460	—	95.4	1.00	—	C, US
100	1800	445UC	LM21872	C/A	25,019	CCF4B100UC64	1810	460	—	95.4	1.00	—	C, US

Shaded model numbers are cast iron frame

Green items are Premium Efficient

▼ LM Numbers are Lincoln Models

D - Item to be discontinued once inventory is depleted

C/A - Check Availability

♥ Note listing on inside back flap
Specifications are subject to change without notice

Single Phase
ODP Motors

Single Phase
TEFC Motors

Three Phase
ODP Motors

Three Phase
TEFC Motors

Inverter Duty
Motors

Severe Duty
Motors

Explosion Proof
Motors

Automotive
Duty Motors



Pump Motors

Pump
Motors

Washguard
Motors

Agricultural
Duty Motors

HVAC / Fan
Motors

Special Voltage
Motors

Definite
Purpose
Motors

Brake Motors

IEC Motors

DC Motors



- Jet pump, JM & JP pump, carbonator pump and fire pump motors
- Washdown duty pump motors available
- Explosion proof jet pump motors available
- Three phase and single phase models
- Premium efficient JM & JP pump motors available
- 1.15 service factor or better
- Jet pump motors have quick connect terminal boards
- Drip-proof and totally enclosed designs
- Drip-cover kits available on drip-proof designs
- Threaded jet pump motors have stainless steel shafts
- Jet pump single phase motors have automatic overload protection
- 1-year warranty on standard motors, 2-year warranty on "G" models and 3-year warranty on premium efficiency models
- UL recognized and CSA certified

Applications:

Designed for various applications that you may find in the pumping industry where direct coupled motor to pump is required.



Pump Motors

Jet Pump Motors - Single Phase

Pump Motors

Washguard Motors

Agricultural Duty Motors

HVAC / Fan Motors

Special Voltage Motors

Definite Purpose Motors

Brake Motors

IEC Motors

DC Motors

General Specifications:

- NEMA® 56 C face mounting flange
- Keyed shafts made of carbon steel
- Threaded shafts made of 416 grade stainless steel
- Dual rotation - key shaft motors only
- Quiet flow-through ventilation system
- Double sealed bearings on shaft end
- Terminal board with quick connects
- Locked shaft-end bearings
- Automatic overload protection
- UL recognized and CSA certified



Keyed Shaft - Drip-Proof - Single Phase - C Face Less Base

HP	SYN RPM 60 Hz	NEMA Frame	Catalog Number	Stock	List Price	Model Number	App. Wgt. (lbs)	Voltage	Over-load Prot.	F. L. Amps @ 230 V	Service Factor	"C" Dim. (Inches)	Notes
1/2	3600	S56C	100204.00	√	367	A4C34DC4	19	115/208-230	Auto.	3.4	1.60	9.49	S, MX, 30
3/4	3600	S56C	100205.00	√	484	A4C34DC5	21	115/208-230	Auto.	5.1	1.50	9.99	S, MX, 30
1	3600	S56C	100722.00	√	522	A4C34DC21	24	115/208-230	Auto.	5.7	1.40	10.49	S, MX, 30
1 1/2	3600	56C	110288.00	√	686	U6C34DC18	31	115/208-230	Auto.	9.0	1.30	11.34	S, US, 30
2	3600	56C	110289.00	√	884	U6C34DC19	37	115/208-230	Auto.	10.5	1.25	12.34	S, US, 30
3	3600	56C	117715.00	√	904	U6K34DC19	49	230	Auto.	12.8	1.15	13.55	S, US, 30, 53

♥ Note listing on inside back flap
Specifications are subject to change without notice

Threaded Shaft - Drip-Proof - Single Phase - C Face Less Base

HP	SYN RPM 60 Hz	NEMA Frame	Catalog Number	Stock	List Price	Model Number	App. Wgt. (lbs)	Voltage	Over-load Prot.	F. L. Amps @ 230 V	Service Factor	"C" Dim. (Inches)	Notes
1/2	3600	S56J	100207.00	√	354	A4C34DC7	19	115/208-230	Auto.	3.4	1.60	10.00	S, MX, 30
3/4	3600	S56J	100208.00	√	460	A4C34DC8	21	115/208-230	Auto.	5.1	1.50	10.50	S, MX, 30
1	3600	S56J	100723.00	√	483	A4C34DC22	23	115/208-230	Auto.	5.7	1.40	11.00	S, MX, 30
1 1/2	3600	56J	110292.00	D	671	U6C34DC21	31	115/208-230	Auto.	9.0	1.30	11.34	S, US, 30
1 1/2	3600	56J	119090.00	√	563	A6C34DC75	25	115/208-230	Auto.	9.2	1.30	11.89	S, MX, 30
2	3600	56J	119091.00	√	762	A6C34DC76	38	115/208-230	Auto.	10.6	1.20	13.73	S, MX, 30
3	3600	56J	119092.00	√	778	U6K34DC21	48	115/208-230	Auto.	14.7	1.15	13.17	S, MX, 30, 53

D - Item to be discontinued once inventory is depleted

♥ Note listing on inside back flap
Specifications are subject to change without notice

Pump Motors

Jet Pump Motors - Single Phase

Threaded Shaft - Totally Enclosed - Single Phase - C Face Less Base

HP	SYN RPM 60 Hz	NEMA Frame	Catalog Number	Stock	List Price	Model Number	App. Wgt. (lbs)	Voltage	Over-load Prot.	F. L. Amps @ 230 V	Service Factor	"C" Dim. (Inches)	♥Notes
1/2	3600	56J	113955.00	√	415	A6C34FC44	22	115/208-230	Auto.	3.8	1.60	11.31	S, US, 30
3/4	3600	56J	113956.00	√	493	A6C34FC45	26	115/208-230	Auto.	5.0	1.50	11.81	S, US, 30
1	3600	56J	113639.00	√	602	A6C34FC41	30	115/208-230	Auto.	6.0	1.25	12.31	S, US, 30
1 1/2	3600	56J	113640.00	√	716	A6C34FC42	34	115/208-230	Auto.	8.5	1.00	12.81	S, US, 30
2	3600	56J	113641.00	√	846	U6C34FC34	41	115/208-230	Auto.	10.0	1.00	13.81	S, US, 30

♥ Note listing on inside back flap
Specifications are subject to change without notice

Threaded Shaft - Totally Enclosed - Single Phase - C Face With Base

HP	SYN RPM 60 Hz	NEMA Frame	Catalog Number	Stock	List Price	Model Number	App. Wgt. (lbs)	Voltage	Over-load Prot.	F. L. Amps @ 230 V	Service Factor	"C" Dim. (Inches)	♥Notes
1/2	3600	56J	113955.00	√	415	A6C34FK49	23	115/208-230	Auto.	3.8	1.60	11.31	S, US, 30
3/4	3600	56J	113956.00	√	493	A6C34FK50	26	115/208-230	Auto.	5.0	1.50	11.81	S, US, 30
1	3600	56J	113639.00	√	602	A6C34FK53	28	115/208-230	Auto.	6.0	1.25	12.31	S, US, 30
1 1/2	3600	56J	113640.00	√	716	A6C34FK54	34	115/208-230	Auto.	8.5	1.00	12.81	S, US, 30
2	3600	56J	113641.00	√	846	U6C34FK55	43	115/208-230	Auto.	10.0	1.00	13.81	S, US, 30

♥ Note listing on inside back flap
Specifications are subject to change without notice

Threaded Shaft - Explosion Proof - Totally Enclosed - Single Phase - C Face Less Base

HP	SYN RPM 60 Hz	NEMA Frame	Catalog Number	Stock	List Price	Model Number	App. Wgt. (lbs)	Voltage	Over-load Prot.	F. L. Amps @ 230 V	Service Factor	"C" Dim. (Inches)	♥Notes
1/2	3600	56J	116188.00	√	848	A6C34XC31	35	115/208-230	Auto.	3.8	1.00	13.96	S, US
3/4	3600	56J	116186.00	√	956	A6C34XC32	40	115/208-230	Auto.	5.0	1.00	14.46	S, US
1	3600	56J	116185.00	√	1,025	A6C34XC33	49	115/208-230	Auto.	6.0	1.00	14.96	S, US
1 1/2	3600	56J	116183.00	√	1,314	A6C34XC34	52	115/208-230	Auto.	8.5	1.00	15.46	S, US
2	3600	56J	116181.00	√	1,429	A6C34XC35	54	115/208-230	Auto.	10.5	1.00	16.46	S, US

♥ Note listing on inside back flap
Specifications are subject to change without notice

Drip-Cover Kits

Each kit includes one drip-cover, designed to protect motors from rain, snow and ice when mounted outdoors in a vertical position.



Drip Cover Kits For Jet Pump Motors

Frame	Catalog Number	App. Wgt. (lbs)	List Price	♥Notes
48-S56	175003.00	2	58	
48-S56	175298.00	2	58	P
56 / 143T-145T	175004.00	2	68	

Note P - For motors having a "P" suffix on date code

Pump Motors

Jet Pump Motors - Three Phase

Pump Motors

Washguard Motors

Agricultural Duty Motors

HVAC / Fan Motors

Special Voltage Motors

Definite Purpose Motors

Brake Motors

IEC Motors

DC Motors

General Specifications:

- NEMA® 56 C face mounting flange
- Threaded shafts made of 303 grade stainless steel
- CCW rotation facing lead end
- Quiet flow-through ventilation system
- Double sealed bearings on shaft end
- Terminal board with quick connects
- Locked shaft end bearings
- Automatic overload protection on explosion proof jet pump motors
- UL recognized and CSA certified



Threaded Shaft - Drip-Proof - Three Phase - C Face Less Base

HP	SYN RPM 60 Hz	NEMA Frame	Catalog Number	Stock	List Price	Model Number	App. Wgt. (lbs)	Voltage	F. L. Amps @ 230 V	% F.L. EFF.	Service Factor	"C" Dim. (Inches)	♥Notes
1/3	3600	S56J	102197.00	C/A	368	C4T34DC25	15	230/460	1.4	68.0	1.35	9.50	S, US
1/3	1800	S56J	103723.00	C/A	401	C4T17DC50	16	208-230/460	1.8	64.3	1.35	10.00	S, MX
1/2	3600	S56J	102198.00	√	388	C4T34DC26	17	208-230/460	1.8	69.0	1.25	9.75	S, US
1/2	1800	S56J	103724.00	√	436	C4T17DC51	18	230/460	2.0	68.0	1.25	10.00	S, MX
3/4	3600	S56J	101637.00	√	467	C4T34DC20	18	230/460	2.4	79.0	1.15	10.00	S, US
3/4	1800	S56J	103725.00	√	514	C4T17DC52	19	230/460	2.8	75.0	1.25	10.50	S, MX
1	3600	S56J	101638.00	√	518	C4T34DC21	25	230/460	3.0	78.0	1.15	11.25	S, US
1	1800	56J	117872.00	√	548	C6T17DC89	26	208-230/460	4.2	78.5	1.15	10.87	S, US
1 1/2	3600	56J	113891.00	√	619	C6T34DC64	28	208-230/460	4.2	81.5	1.15	11.34	S, US
1 1/2	1800	56J	117873.00	√	647	C6T17DC87	29	230/460	5.6	78.5	1.15	11.87	S, US
2	3600	56J	113892.00	√	736	C6T34DC65	33	208-230/460	5.6	82.5	1.15	11.84	S, US
2	1800	56J	117874.00	√	739	C6T17DC88	34	230/460	6.2	78.5	1.15	11.87	S, US
3	3600	56J	113893.00	√	870	C6T34DC66	36	230/460	7.6	84.0	1.15	12.34	S, US
5	3600	56J	116698.00	√	954	C6T34DC92	45	230/460	12.4	85.5	1.15	13.88	S, US

C/A - Check Availability

♥ Note listing on inside back flap
Specifications are subject to change without notice

Threaded Shaft - Drip-Proof - Three Phase - C Face With Base

HP	SYN RPM 60 Hz	NEMA Frame	Catalog Number	Stock	List Price	Model Number	App. Wgt. (lbs)	Voltage	F. L. Amps @ 230 V	% F.L. EFF.	Service Factor	"C" Dim. (Inches)	♥Notes
1/2	3600	S56J	102199.00	√	406	C4T34DK8	17	208-230/460	1.8	69.0	1.25	9.75	S, US
1/2	1800	S56J	103726.00	√	449	C4T17DK12	18	230/460	2.4	68.0	1.25	10.50	S, MX
3/4	3600	S56J	101776.00	√	467	C4T34DK5	18	230/460	2.4	79.0	1.15	10.00	S, US
3/4	1800	S56J	103727.00	√	529	C4T17DK13	19	208-230/460	2.8	75.0	1.25	10.50	S, MX
1	3600	S56J	101775.00	√	521	C4T34DK6	26	230/460	3.0	78.0	1.15	11.25	S, US
1	1800	56J	117875.00	√	561	C6T17DK34	28	208-230/460	4.2	78.5	1.15	10.87	S, US
1 1/2	3600	56J	114203.00	√	635	C6T34DK5	33	208-230/460	4.2	81.5	1.15	11.34	S, US
1 1/2	1800	56J	117876.00	√	669	C6T17DK35	34	230/460	5.6	78.5	1.15	11.87	S, US
2	3600	56J	114202.00	√	757	C6T34DK6	35	208-230/460	5.6	82.5	1.15	11.84	S, US
3	3600	56HJ	114201.00	√	892	C6T34DK7	35	230/460	8.0	84.0	1.15	11.84	S, US
5	3600	56HJ	116699.00	√	979	C6T34DK18	47	230/460	12.4	85.5	1.15	13.88	S, US

♥ Note listing on inside back flap
Specifications are subject to change without notice

Pump Motors

Jet Pump Motors - Three Phase

Threaded Shaft - Totally Enclosed - Three Phase - C Face Less Base

HP	SYN RPM 60 Hz	NEMA Frame	Catalog Number	Stock	List Price	Model Number	App. Wgt. (lbs)	Voltage	F. L. Amps @ 230 V	% FL. EFF.	Service Factor	"C" Dim. (Inches)	♥Notes
1/2	3600	56J	114931.00	✓	439	C6T34FC49	23	208-230/460	2.0	67.0	1.15	10.81	S, US
3/4	3600	56J	114208.00	✓	484	C6T34FC37	23	208-230/460	2.4	75.5	1.15	11.31	S, US
1	3600	56J	114207.00	✓	576	C6T34FC38	24	230/460	3.2	77.0	1.15	11.31	S, US
1 1/2	3600	56J	119453.00	✓	688	C6T34FC124	41	230/460	4.0	84.0	1.15	12.66	S, US
2	3600	56J	119455.00	✓	868	C6T34FC125	44	208-230/460	4.8	85.5	1.15	13.66	S, US
3	3600	56J	119456.00	✓	917	C6T34FC126	55	230/460	8.0	86.5	1.15	14.16	S, US

Green items are Premium Efficient

♥ Note listing on inside back flap
Specifications are subject to change without notice

Threaded Shaft - Totally Enclosed - Three Phase - C Face With Base

HP	SYN RPM 60 Hz	NEMA Frame	Catalog Number	Stock	List Price	Model Number	App. Wgt. (lbs)	Voltage	F. L. Amps @ 230 V	% FL. EFF.	Service Factor	"C" Dim. (Inches)	♥Notes
3/4	3600	56J	113028.00	✓	581	C6T34FK34	23	208-230/460	2.4	75.5	1.15	11.31	S, US
1	3600	56J	113029.00	✓	593	C6T34FK35	24	230/460	3.2	77.0	1.15	11.31	S, US
1 1/2	3600	56J	119452.00	✓	715	C6T34FK134	34	230/460	4.0	84.0	1.15	12.66	S, US
2	3600	56J	119454.00	✓	886	C6T34FK135	44	208-230/460	4.8	85.5	1.15	13.66	S, US
3	3600	56HJ	119457.00	✓	929	C6T34FK136	56	208-230/460	8.0	86.5	1.15	14.16	S, US

Green items are Premium Efficient

♥ Note listing on inside back flap
Specifications are subject to change without notice

Threaded Shaft - Explosion Proof - TEFC/TENV Three Phase - C Face Less Base

HP	SYN RPM 60 Hz	NEMA Frame	Catalog Number	Stock	List Price	Model Number	App. Wgt. (lbs)	Voltage	F. L. Amps @ 230 V	% FL. EFF.	Service Factor	"C" Dim. (Inches)	♥Notes
1/2	3600	56J	116187.00	✓	1,049	A6T34EC28	33	208-230/460	1.6	82.5	1.00	12.87	S, US, 12, 47
1	3600	56J	119424.00	✓	1,280	A6T34XC49	36	230/460	2.4	80.0	1.00	14.45	S, US, 13
1 1/2	3600	56J	119429.00	✓	1,284	A6T34XC50	48	208-230/460	4.6	84.0	1.00	15.45	S, US, 13
2	3600	56J	119434.00	✓	1,321	A6T34XC52	50	230/460	5.0	85.5	1.00	15.45	S, US, 13

Green items are Premium Efficient

♥ Note listing on inside back flap
Specifications are subject to change without notice

Note 12 - TENV
Note 13 - TEFC



Pump Motors Washguard® Jet Pump Motors

Washdown duty three phase jet pump motors for industrial service. These motors include all of the features of White Duck Washguard motors by LEESON with the addition of a 56J threaded shaft for use on jet pumps. For demanding pump applications in wet, humid, or washdown environments.



Washguard - Jet Pump - Threaded Shaft Three Phase - TEFC - C Face Less Base

HP	SYN RPM 60 Hz	NEMA Frame	Catalog Number	Stock	List Price	Model Number	App. Wgt. (lbs)	Voltage	F. L. Amps @ 230 V	% F.L. EFF.	Service Factor	"C" Dim. (Inches)	♥Notes
3/4	3600	56J	116774.00	√	735	C6T34WC14	23	208-230/460	2.4	75.5	1.15	10.81	S, US
1	3600	56J	116775.00	√	854	C6T34WC15	35	230/460	3.2	77.0	1.15	10.81	S, US
1 1/2	3600	56J	119459.00	√	983	C6T34WC24	44	208-230/460	4.0	84.0	1.15	12.87	S, US
2	3600	56J	119460.00	√	1,222	C6T34WC25	50	208-230/460	4.8	85.5	1.15	13.87	S, US
3	3600	56J	119462.00	√	1,252	C6T34WC26	55	208-230/460	8.0	86.5	1.15	14.37	S, US

Green items are Premium Efficient

♥ Note listing on inside back flap
Specifications are subject to change without notice

Washguard - Jet Pump - Threaded Shaft Three Phase - TEFC - C Face With Base



HP	SYN RPM 60 Hz	NEMA Frame	Catalog Number	Stock	List Price	Model Number	App. Wgt. (lbs)	Voltage	F. L. Amps @ 230 V	% F.L. EFF.	Service Factor	"C" Dim. (Inches)	♥Notes
3/4	3600	56J	116779.00	√	754	C6T34WK12	24	208-230/460	2.4	75.5	1.15	10.81	S, US
1	3600	56J	116780.00	√	876	C6T34WK13	36	208-230/460	3.2	77.0	1.15	10.81	S, US
1 1/2	3600	56J	119458.00	√	1,003	C6T34WK30	45	208-230/460	4.0	84.0	1.15	12.87	S, US
2	3600	56J	119461.00	√	1,240	C6T34WK31	51	208-230/460	4.8	85.5	1.15	13.87	S, US
3	3600	56J	119463.00	√	1,269	C6T34WK32	56	208-230/460	8.0	86.5	1.15	14.37	S, US

Green items are Premium Efficient

♥ Note listing on inside back flap
Specifications are subject to change without notice

Pump Motors

Carbonator Pump Motors

Application information:

Used in liquid transfer pumps that you may see in vending machines ideal for compact pump to motor mount applications.

Features:

- Interchangeable with OEM units
- Automatic overload protection
- Ball bearing designs

Single Phase - Drip Proof - Rigid or Resilient Base

HP	SYN RPM 60 Hz	NEMA Frame	Catalog Number	Stock	List Price	Model Number	App. Wgt. (lbs)	Voltage	F.L. Amps	Service Factor	"C" Dim. (Inches)	♥Notes
1/4	1800	48Y	103520.00	√	217	A4S17DR62	14	208-240	2.3-2.4	1.00	7.69	S, MX, 63
1/4	1800	48Y	103530.00	√	228	A4S17DR63	16	115/208-230	4.3-2.2	1.00	8.75	S, MX, 63
1/3	1800	48Y	103521.00	√	231	A4S17DR64	14	100-120/200-240	5.5-5.6/2.7-2.8	1.00	7.69	S, MX, 60
1/3	1800	48Y	103531.00	√	237	A4S17DR65	14	100-120/200-240	5.5-5.6/2.7-2.8	1.00	7.69	S, MX, 63
1/2	1800	48Y	103522.00	√	259	A4S17DR66	17	100-120/200-240	7.1-7.2/3.4-3.6	1.00	8.75	S, MX, 63
3/4	1800	48Y	103523.00	√	311	A4S17DR67	19	115/208-230	10.4/5.2	1.00	9.15	S, MX, 63

Note 60 - Rigid Base

Note 63 - Resilient Base

♥ Note listing on inside back flap
Specifications are subject to change without notice

General Specifications:

For use with close-coupled pumps having NEMA® JP mounting and shaft dimensions. In such applications, the pump impeller is mounted directly on the motor shaft. For use where the environment is relatively clean and dry. For outdoor use, an enclosure or drip cover may be preferred.

Features:

- Open drip-proof construction with rigid base mounting
- Locked bearing on shaft end limits axial shaft movement
- Drip cover kits available
- UL recognized and CSA certified
- Single phase designs are capacitor start, induction run
- All 180 and 210 frame rolled steel motors have class F insulation



Single Phase - Drip-Proof - C Face With Base

HP	SYN RPM 60 Hz	NEMA Frame	Catalog Number	Stock	List Price	Model Number	App. Wgt. (lbs)	Voltage	F. L. Amps @ 230 V	Service Factor	"C" Dim. (Inches)	♥Notes
5	3600	184JP	131881.00	√	1,527	C184K34DK6	95	230	22.0	1.15	19.38	S, MX
7 1/2	3600	213JP	140646.00	√	1,814	C213K34DK1	121	230	37.0	1.15	14.17	S, MX, 37
10	3600	215JP	140647.00	√	2,446	C215K34DK1	138	230	47.0	1.15	15.67	S, MX, 37

♥ Note listing on inside back flap
Specifications are subject to change without notice

Three Phase - Drip-Proof - C Face With Base & C Face Less Base thru 3 HP

HP	SYN RPM 60 Hz	NEMA Frame	Catalog Number	Stock	List Price	Model Number	App. Wgt. (lbs)	Voltage	F. L. Amps @ 230 V	% FL. EFF.	Service Factor	"C" Dim. (Inches)	♥Notes
1	1800	143JP	122093.00	√	590	C143T17DK9	41	230/460	3.2	85.5	1.15	18.48	S, US, 39
1	1800	143JPV	122094.00	√	590	C143T17DC20	41	230/460	3.2	85.5	1.15	18.48	S, US, 39
1 1/2	3600	143JP	122095.00	√	720	C143T34DK6	40	230/460	4.0	84.0	1.15	17.68	S, US, 39
1 1/2	3600	143JPV	122096.00	√	720	C143T34DC8	40	230/460	4.0	84.0	1.15	17.68	S, US, 39
1 1/2	1800	145JP	122097.00	√	706	C145T17DK25	44	230/460	4.8	86.5	1.15	18.18	S, US, 39
1 1/2	1800	145JPV	122098.00	√	706	C145T17DC45	44	230/460	4.8	86.5	1.15	18.18	S, US, 39
2	3600	145JPV	122099.00	√	736	C145T34DC15	43	230/460	4.8	85.5	1.15	16.18	S, US, 39
2	1800	145JP	122100.00	√	723	C145T17DK26	45	230/460	5.8	86.5	1.15	18.68	S, US, 39
2	1800	145JPV	122101.00	√	723	C145T17DC46	45	230/460	5.8	86.5	1.15	18.68	S, US, 39
3	3600	145JP	122102.00	√	918	C145T34DK18	47	230/460	7.2	86.5	1.15	13.62	S, US, 39
3	3600	145JPV	122103.00	√	918	C145T34DC16	47	230/460	7.2	86.5	1.15	13.62	S, US, 39
3	1800	182JP	199770.00	√	964	C182T17DK44	123	230/460	8.4	89.5	1.15	15.35	S, CN
5	3600	182JP	199097.00	√	1,111	C182T34DK19	131	230/460	11.8	86.5	1.15	15.35	S, CN
5	1800	184JP	199772.00	√	1,086	C184T17DK44	166	230/460	18.6	91.0	1.15	17.68	S, CN

Green shaded items are less base and have drip covers

Green items are Premium Efficient

D - Item to be discontinued once inventory is depleted

Continued On Next Page

♥ Note listing on inside back flap
Specifications are subject to change without notice



Pump Motors

JP Pump Motors - Three Phase

Three Phase - Drip-Proof - C Face With Base

HP	SYN RPM 60 Hz	NEMA Frame	Catalog Number	Stock	List Price	Model Number	App. Wgt. (lbs)	Voltage	F. L. Amps @ 230 V	% FL. EFF.	Service Factor	"C" Dim. (Inches)	♥Notes
7 1/2	3600	184JP	199773.00	√	1,390	C184T34DK28	149	230/460	17.2	88.5	1.15	16.34	S, CN
7 1/2	1800	213JP	199783.00	√	1,773	C213T17DK47	166	230/460	18.6	91.0	1.15	17.68	S, CN
10	3600	213JP	199784.00	√	1,670	C213T34DK49	156	230/460	23.0	89.5	1.15	17.68	S, CN
10	1800	215JP	199785.00	√	2,024	C215T17DK47	167	230/460	229.0	91.7	1.15	19.17	S, CN
15	3600	215JP	199786.00	√	2,084	C215T34DK48	191	230/460	34.0	90.2	1.15	19.17	S, CN
15	1800	254JP	199987.00	√	3,737	C254T17DK13	322	230/460	36.5	93.0	1.15	24.41	C, CN
20	3600	254JP	199988.00	√	3,228	C254T34DK10	312	230/460	46.0	91.0	1.15	24.41	C, CN
20	1800	256JP	199989.00	√	3,881	C256T17DK9	374	230/460	49.0	93.0	1.15	26.00	C, CN
25	3600	256JP	199990.00	√	3,447	C256T34DK9	328	230/460	57.0	91.7	1.15	26.00	C, CN
25	1800	284JP	199991.00	√	4,497	C284T17DK7	441	230/460	62.0	93.6	1.15	26.58	C, CN
30	3600	284JP	199992.00	√	4,198	C284T34DK5	412	230/460	68.0	91.7	1.15	26.58	C, CN
30	1800	286JP	199993.00	√	5,040	C286T17DK8	502	230/460	74.0	94.1	1.15	27.10	C, CN
40	3600	286JP	199994.00	√	4,549	C286T34DK5	470	230/460	60.0	92.4	1.15	27.10	C, CN
40	1800	324JP	199995.00	√	5,854	C324T17DK13	604	230/460	95.0	94.1	1.15	28.95	C, CN
50	3600	324JP	199996.00	√	5,525	C324T34DK5	655	230/460	113.0	93.0	1.15	28.95	C, CN
50	1800	326JP	199997.00	√	6,158	C326T17DK7	738	230/460	118.0	94.5	1.15	30.12	C, CN

Shaded model numbers are cast iron frame

♥ Note listing on inside back flap
Specifications are subject to change without notice

Green items are Premium Efficient

D - Item to be discontinued once inventory is depleted



Pump Motors

JM Pump Motors - Single Phase

General Specifications:

Designed for continuous duty service on close-coupled pumps using NEMA® JM mounting provisions.

Features:

- Cooling air exhausts at shaft end for maximum cooling
- Locked bearing shaft end
- Drip-cover kits available

Electrical Features:

- High efficiency copper windings
- UL and CSA recognized designs
- Single phase designs are capacitor start/induction run unless indicated otherwise
- Class F Insulation



Single Phase - Drip-Proof - C Face With Base

HP	SYN RPM 60 Hz	NEMA Frame	Catalog Number	Stock	List Price	Model Number	App. Wgt. (lbs)	Voltage	F. L. Amps @ 230 V	Service Factor	"C" Dim. (Inches)	Notes
1	1800	143JM	120996.00	√	904	C143C17DK1	42	115/208-230	6.4	1.15	13.91	S, US, 38
1 1/2	1800	145JM	120994.00	√	911	C145K17DK8	45	115/208-230	8.6	1.15	14.91	S, US, 38, 53
2	3600	145JM	121190.00	√	932	C145C34DK3	47	115/208-230	10.5	1.15	14.91	S, US, 38
2	1800	145JM	120995.00	√	913	C145K17DK9	45	115/208-230	10.5	1.15	15.41	S, US, 38, 53
2	1800	182JM	132073.00	√	954	C182C17DK3	70	115/230	12.4	1.15	13.19	S, MX, 45
3	3600	182JM	131640.00	√	1,103	C182K34DK1	80	115/208-230	15.2	1.15	16.32	S, MX, 45, 53
3	1800	182JM	131604.00	√	1,268	C182C17DK2	73	115/230	16.8	1.15	15.82	S, MX, 45
5	3600	184JM	131641.00	√	1,569	C184K34DK3	95	208-230	24.0	1.15	17.32	S, MX, 45, 53
5	1800	184JM	131605.00	√	1,802	C184K17DK14	82	208-230	21.0	1.15	16.32	S, MX, 45, 53
7 1/2	3600	213JM	140642.00	√	2,230	C213K34DK2	109	230	37.0	1.15	14.17	S, MX, 37, 53
7 1/2	1800	215JM	140665.00	√	2,376	C215K17DK1	141	230	40.5	1.15	18.38	S, MX, 37, 53
10	3600	215JM	140644.00	√	2,512	C215K34DK2	135	230	47.0	1.15	18.38	S, MX, 37, 53
10	1800	215JM	140666.00	C/A	2,939	C215K17DK2	144	230	43.0	1.15	19.88	S, MX, 37, 53

C/A - Check Availability

♥ Note listing on inside back flap
Specifications are subject to change without notice

Pump Motors

Washguard Motors

Agricultural Duty Motors

HVAC / Fan Motors

Special Voltage Motors

Definite Purpose Motors

Brake Motors

IEC Motors

DC Motors

Pump Motors

JM Pump Motors - TEFC - Single Phase

General Specifications:

Designed for continuous duty service on close-coupled pumps using NEMA® JM mounting provisions.

Features:

- Cooling air exhausts at shaft end for maximum cooling
- Locked bearing shaft end
- Drip-cover kits available

Electrical Features:

- High efficiency copper windings
- UL and CSA recognized designs
- Single phase designs are capacitor start/induction run
- Class F Insulation

Single Phase - TEFC - C Face With Base

HP	SYN RPM 60 Hz	NEMA Frame	Catalog Number	Stock	List Price	Model Number	App. Wgt. (lbs)	Voltage	F. L. Amps @ 230 V	Service Factor	"C" Dim. (Inches)	♥Notes
3	3600	182JM	132457.00	√	1,342	C182K34FC2	82	230	13.6	1.0	18.59	S, MX *
5	3600	184JM	132458.00	√	1,418	C184K34FK6	95	230	19.8	1.0	18.59	S, MX
7 1/2	3600	213JM	141281.00	√	1,673	C213F34FK2	120	230	32.0	1.0	20.59	S, MX
10	3600	215JM	141282.00	√	1,943	C215K34FK3	142	230	41.5	1.0	22.09	S, MX

* C Face less Base Design

♥ Note listing on inside back flap
Specifications are subject to change without notice

Three Phase - Drip-Proof - C Face With Base & C Face Less Base thru 3 HP

HP	SYN RPM 60 Hz	NEMA Frame	Catalog Number	Stock	List Price	Model Number	App. Wgt. (lbs)	Voltage	F. L. Amps @ 230 V	% FL. EFF.	Service Factor	"C" Dim. (Inches)	♥Notes
1	1800	143JM	122115.00	✓	740	C143T17DK8	46	230/460	3.2	85.5	1.15	14.62	S, US, 39
1	1800	143JMV	122073.00	✓	740	C143T17DC17	44	230/460	3.0	85.5	1.15	15.42	S, US, 38
1 1/2	3600	143JM	122074.00	✓	814	C143T34DK4	38	230/460	4.0	84.0	1.15	13.12	S, US, 39
1 1/2	3600	143JMV	122075.00	✓	814	C143T34DC6	45	230/460	5.6	86.5	1.15	14.62	S, US
1 1/2	1800	143JM	122076.00	✓	797	C143T17DK7	48	230/460	5.6	86.5	1.15	14.62	S, US, 39
1 1/2	1800	143JMV	122077.00	✓	797	C143T17DC18	46	230/460	4.8	86.5	1.15	15.42	S, US
2	3600	145JM	122078.00	✓	927	C143T34DK5	33	230/460	4.8	85.5	1.15	13.12	S, US, 39
2	3600	145JMV	122079.00	✓	927	C143T34DC7	33	230/460	4.8	85.5	1.15	13.42	S, US
2	1800	145JM	122329.00	✓	898	C145T17DK19	49	230/460	6.0	86.5	1.15	15.12	S, US, 39
2	1800	145JMV	122080.00	✓	898	C143T17DC19	49	230/460	6.0	86.5	1.15	15.92	S, US
3	3600	145JM	122081.00	✓	1,026	C145T34DK17	50	230/460	7.2	86.5	1.15	13.62	S, US, 38
3	3600	145JMV	122082.00	✓	1,026	C145T34DC14	47	230/460	7.2	86.5	1.15	13.62	S, US
3	1800	182JM	199589.00	✓	1,093	C182T17DK43	79	230/460	7.8	89.5	1.15	15.35	S, CN
5	3600	182JM	199763.00	✓	1,307	C182T34DK20	73	230/460	11.8	86.5	1.15	15.35	S, CN
5	1800	184JM	199590.00	✓	1,234	C184T17DK43	100	230/460	12.4	89.5	1.15	16.34	S, CN
7 1/2	3600	184JM	199765.00	✓	1,409	C184T34DK27	87	230/460	17.2	88.5	1.15	16.34	S, CN
7 1/2	1800	213JM	199775.00	✓	1,615	C213T17DK46	127	230/460	18.6	91.0	1.15	17.68	S, CN
10	3600	213JM	199090.00	✓	1,805	C213T34DK48	121	230/460	23.0	89.5	1.15	17.68	S, CN
10	1800	215JM	199777.00	✓	1,824	C215T17DK46	149	230/460	24.4	91.7	1.15	19.17	S, CN
15	3600	215JM	199091.00	✓	2,388	C215T34DK47	134	230/460	34.0	90.2	1.15	19.17	S, CN
15	1800	254JM	199964.00	✓	2,623	C254T17DK12	353	230/460	38.0	93.0	1.15	24.41	C, CN
20	3600	254JM	199965.00	✓	3,228	C254T34DK9	320	230/460	46.0	91.0	1.15	24.41	C, CN
20	1800	256JM	199966.00	✓	3,888	C256T17DK8	382	230/460	46.0	91.0	1.15	24.41	C, CN
25	3600	256JM	199967.00	✓	3,921	C256T34DK8	357	230/460	57.0	91.7	1.15	26.00	C, CN
25	1800	284JM	199968.00	✓	4,496	C284T17DK6	502	230/460	62.0	93.6	1.15	26.58	C, CN

Green shaded items are less base and have drip covers

Continued On Next Page

Shaded model numbers are cast iron frame

♥ Note listing on inside back flap
Specifications are subject to change without notice

Green items are Premium Efficient



Pump Motors

JM Pump Motors - ODP - Three Phase

Three Phase - Drip-Proof - C Face With Base & C Face Less Base thru 3 HP

HP	SYN RPM 60 Hz	NEMA Frame	Catalog Number	Stock	List Price	Model Number	App. Wgt. (lbs)	Voltage	F. L. Amps @ 230 V	% FL. EFF.	Service Factor	"C" Dim. (Inches)	♥Notes
30	3600	284JM	199969.00	√	4,545	C284T34DK4	486	230/460	68.0	91.7	1.15	26.58	C, CN
30	1800	286JM	199970.00	√	5,039	C286T17DK7	545	230/460	74.0	94.1	1.15	27.10	C, CN
40	3600	286JM	199971.00	√	5,104	C286T34DK4	529	230/460	90.0	92.4	1.15	27.10	C, CN
40	1800	324JM	199972.00	√	5,854	C324T17DK12	659	230/460	95.0	94.1	1.15	28.95	C, CN
50	3600	324JM	199973.00	√	6,128	C324T34DK4	657	230/460	113.0	93.0	1.15	28.95	C, CN
50	1800	326JM	199974.00	√	6,242	C326T17DK6	697	230/460	118.0	94.5	1.15	30.12	C, CN

Shaded model numbers are cast iron frame

♥ Note listing on inside back flap

Specifications are subject to change without notice

Green items are Premium Efficient

D - Item to be discontinued once inventory is depleted



Pump Motors

JM Pump Motors - TEFC - Three Phase

General Specifications:

Designed for continuous duty service on close-coupled pumps using NEMA® JM mounting provisions. All motors have a rigid mounting base and NEMA JM pump shaft and face mount.



Features:

- Totally enclosed fan cooled construction for maximum life in dirty or severe environments. Oversized locked bearing on shaft end limits axial shaft movement. Drip covers are available as accessory kits for 143-5JM.
- Oversized locked bearing on shaft end limits axial shaft movement
- High efficiency copper windings
- UL and CSA recognized designs

Three Phase - TEFC - C Face With Base & C Face Less Base thru 2 HP

HP	SYN RPM 60 Hz	NEMA Frame	Catalog Number	Stock	List Price	Model Number	App. Wgt. (lbs)	Voltage	F. L. Amps @ 230 V	% F.L. EFF.	Service Factor	"C" Dim. (Inches)	Notes
1	1800	143JM	122083.00	✓	802	C143T17FK27	59	230/460	3.3	85.5	1.15	16.79	S, US
1	1800	143JMV	122084.00	✓	802	C143T17FC39	57	230/460	3.3	85.5	1.15	16.00	S, US
1 1/2	3600	143JM	122085.00	✓	827	C143T34FK17	63	230/460	4.0	84.0	1.15	15.50	S, US
1 1/2	3600	143JMV	122086.00	✓	827	C143T34FC20	61	230/460	4.0	84.0	1.15	16.29	S, US
1 1/2	1800	145JM	122087.00	✓	875	C145T17FK71	68	230/460	4.6	86.5	1.15	16.50	S, US
1 1/2	1800	145JMV	122088.00	✓	875	C145T17FC121	66	230/460	4.6	86.5	1.15	17.29	S, US
2	3600	145JM	122089.00	✓	992	C145T34FK45	71	230/460	5.2	85.5	1.15	16.50	S, US
2	3600	145JMV	122090.00	✓	992	C145T34FC42	69	230/460	5.2	85.5	1.15	17.29	S, US
2	1800	145JM	122091.00	✓	874	C145T17FK72	76	230/460	6.0	86.5	1.15	17.00	S, US
2	1800	145JMV	122092.00	✓	874	C145T17FC122	74	230/460	6.0	86.5	1.15	17.79	S, US
3	3600	182JM	199766.00	✓	1,024	C182T34FK43	83	230/460	7.6	86.5	1.15	17.51	S, US
3	1800	182JM	199767.00	✓	1,049	C182T17FK48	87	230/460	7.8	89.5	1.15	17.51	S, CN
5	3600	184JM	199768.00	✓	1,427	C184T34FK49	95	230/460	12.0	88.5	1.15	18.36	S, CN
5	1800	184JM	199769.00	✓	1,388	C184T17FK49	110	230/460	12.4	89.5	1.15	18.36	S, CN

Green shaded items are less base and have drip covers

Green items are Premium Efficient

Continued On Next Page

♥ Note listing on inside back flap Specifications are subject to change without notice



Pump Motors

JM Pump Motors - TEFC - Three Phase

Three Phase - TEFC - C Face With Base

HP	SYN RPM 60 Hz	NEMA Frame	Catalog Number	Stock	List Price	Model Number	App. Wgt. (lbs)	Voltage	F. L. Amps @ 230 V	% FL. EFF.	Service Factor	"C" Dim. (Inches)	♥Notes
7 1/2	3600	S213JM	G132027.00	D	1,521	C184T34FK41	121	230/460	18.4	88.5	1.15	22.09	S,MX
7 1/2	3600	213JM	199779.00	√	1,700	C213T34FK45	95	230/460	17.8	89.5	1.15	20.65	S,CN
7 1/2	1800	213JM	199780.00	√	1,895	C213T17FK46	110	230/460	18.6	89.5	1.15	20.65	S,CN
10	3600	215JM	199781.00	√	2,169	C215T34FK46	137	230/460	22.8	90.2	1.15	22.14	S,CN
10	1800	215JM	199782.00	√	2,335	C215T17FK46	164	230/460	24.4	91.7	1.15	22.14	S,CN
15	3600	254JM	199975.00	√	3,331	C254T34FK15	350	230/460	34.0	91.0	1.15	26.60	C,CN
15	1800	254JM	199976.00	√	3,372	C254T17FK16	375	230/460	37.0	92.4	1.15	26.60	C,CN
20	3600	256JM	199977.00	√	3,624	C256T34FK11	375	230/460	46.0	91.0	1.15	27.80	C,CN
20	1800	256JM	199978.00	√	4,234	C256T17FK16	425	230/460	48.0	93.0	1.15	27.80	C,CN
25	3600	284JM	199979.00	√	4,317	C284T34FK12	475	230/460	55.5	91.7	1.15	30.92	C,CN
25	1800	284JM	199980.00	√	4,783	C284T17FK14	500	230/460	62.0	93.6	1.15	30.92	C,CN
30	3600	286JM	199981.00	√	4,569	C286T34FK19	500	230/460	66.0	91.7	1.15	32.10	C,CN
30	1800	286JM	199982.00	√	5,006	C286T17FK14	525	230/460	73.0	93.6	1.15	32.10	C,CN
40	3600	324JM	199983.00	√	5,920	C324T34FK11	675	230/460	88.0	92.4	1.15	32.93	C,CN
40	1800	324JM	199984.00	√	6,029	C324T17FK15	683	230/460	94.0	94.1	1.15	32.93	C,CN
50	3600	326JM	199985.00	√	6,285	C326T34FK8	725	230/460	109.0	93.0	1.15	34.11	C,CN
50	1800	326JM	199986.00	√	7,109	C326T17FK11	775	230/460	119.0	94.5	1.15	34.11	C,CN

Shaded model numbers are cast iron frame

♥ Note listing on inside back flap
Specifications are subject to change without notice

Green items are Premium Efficient

D - Item to be discontinued once inventory is depleted

Pump
Motors

Washguard
Motors

Agricultural
Duty Motors

HVAC / Fan
Motors

Special Voltage
Motors

Definite
Purpose Motors

Brake Motors

IEC Motors

DC Motors



Pump Motors

JP Pump Motors - TEFC - Three Phase



General Specifications:

For use with close-coupled pumps having NEMA® JP mounting and shaft dimensions. Used in applications where the pump impeller is mounted directly on the motor shaft. Designed for continuous duty service.

Features:

- 1.25 service factor
- All cast iron construction
- Premium efficient
- Re-greasable bearings
- UL recognized and CSA certified
- Class F Insulation

TEFC JP Pump Motors - C Face With Base & C Face Less Base thru 2 HP

HP	SYN RPM 60 Hz	NEMA Frame	Catalog Number	Stock	List Price	Model Number	App. Wgt. (lbs)	Voltage	F. L. Amps @ 230 V	% F.L. EFF.	Service Factor	"C" Dim. (Inches)	♥Notes
1	1800	143JP	122105.00	√	833	C143T17FK28	59	230/460	3.3	85.5	1.15	19.13	S, US
1	1800	143JPV	122106.00	√	833	C143T17FC40	57	230/460	3.3	85.5	1.15	19.85	S, US
1 1/2	3600	143JP	122107.00	√	859	C143T34FK18	63	230/460	4.0	84.0	1.15	18.63	S, US
1 1/2	3600	143JPV	122108.00	√	859	C143T34FC21	61	230/460	4.0	84.0	1.15	19.35	S, US
1 1/2	1800	145JP	G151736.60	D	645	C145T17FK60	54	230/460	4.5	85.5	1.15	18.66	C, CN
1 1/2	1800	145JP	122109.00	√	913	C145T17FK73	68	230/460	4.6	86.5	1.15	19.63	S, US
1 1/2	1800	145JPV	122110.00	√	913	C145T17FC123	66	230/460	4.6	86.5	1.15	20.35	S, US
2	3600	145JP	122111.00	√	1,034	C145T34FK46	71	230/460	5.2	85.5	1.15	19.63	S, US
2	3600	145JPV	122112.00	√	1,034	C145T34FC43	69	230/460	5.2	85.5	1.15	20.35	S, US
2	1800	145JP	G151737.60	D	665	C145T17FK61	57	230/460	5.8	85.5	1.15	18.66	C, CN
2	1800	145JP	122113.00	√	922	C145T17FK74	76	230/460	6.0	86.5	1.15	20.13	S, US
2	1800	145JP	122114.00	√	922	C145T17FC124	74	230/460	6.0	86.5	1.15	20.85	S, US
3	3600	182JP	G151738.60	D	1,208	C182T34FK12	91	230/460	7.4	85.5	1.15	20.71	C, CN
3	3600	182JP	199092.00	√	1,389	C182T34FK42	83	230/460	7.6	86.5	1.15	19.07	S, CN
3	1800	182JP	199093.00	√	1,285	C182T17FK47	87	230/460	7.8	89.5	1.15	19.07	S, CN
5	3600	184JP	199094.00	√	1,462	C184T34FK48	95	230/460	12.0	88.5	1.15	20.05	S, CN
5	1800	184JP	199095.00	√	1,469	C184T17FK48	110	230/460	12.4	89.5	1.15	20.05	S, CN

Green shaded items are less base and have drip covers

Shaded model numbers are cast iron frame

Green items are Premium Efficient

D - Item to be discontinued once inventory is depleted

Continued On Next Page

♥ Note listing on inside back flap
Specifications are subject to change without notice



Pump Motors

JP Pump Motors - TEFC - Three Phase

TEFC JP Pump Motors - C Face With Base

HP	SYN RPM 60 Hz	NEMA Frame	Catalog Number	Stock	List Price	Model Number	App. Wgt. (lbs)	Voltage	F. L. Amps @ 230 V	% F.L. EFF.	Service Factor	"C" Dim. (Inches)	♥Notes
7 1/2	3600	213JP	199096.00	√	1,788	C213T34FK44	116	230/460	17.8	88.5	1.15	24.54	S, CN
7 1/2	1800	213JP	199787.00	√	1,864	C213T17FK47	143	230/460	18.6	89.5	1.15	24.54	S, CN
10	3600	215JP	199788.00	√	2,051	C215T34FK47	137	230/460	22.8	90.2	1.15	26.03	S, CN
10	1800	215JP	199789.00	√	2,019	C215T17FK47	164	230/460	24.4	91.7	1.15	26.03	S, CN
15	3600	254JP	199998.00	√	3,331	C254T34FK15	350	230/460	34.0	91.0	1.15	29.51	C, CN
15	1800	254JP	199999.00	√	3,372	C254T17FK17	375	230/460	37.0	92.4	1.15	29.51	C, CN
20	3600	256JP	194118.00	√	3,806	C256T17FK17	375	230/460	45.0	91.0	1.15	30.71	C, CN
20	1800	256JP	194119.00	√	4,234	C256T17FK17	425	230/460	48.5	93.0	1.15	30.71	C, CN
25	3600	284JP	194120.00	√	4,317	C284T34FK13	475	230/460	55.5	91.7	1.15	33.82	C, CN
25	1800	284JP	194121.00	√	4,782	C284T17FK15	500	230/460	62.0	93.6	1.15	33.82	C, CN
30	3600	286JP	194122.00	√	4,944	C286T34FK20	500	230/460	66.0	91.7	1.15	35.00	C, CN
30	1800	286JP	194123.00	√	5,006	C286T17FK15	525	230/460	73.0	93.6	1.15	35.00	C, CN
40	3600	324JP	194124.00	√	6,254	C324T34FK12	675	230/460	88.0	92.4	1.15	35.81	C, CN
40	1800	324JP	194125.00	√	6,348	C324T17FK16	750	230/460	94.0	94.1	1.15	35.81	C, CN
50	3600	326JP	194126.00	√	7,302	C326T34FK9	725	230/460	109.0	93.0	1.15	36.99	C, CN
50	1800	326JP	194127.00	√	7,340	C326T17FK12	775	230/460	119.0	94.5	1.15	36.99	C, CN

Shaded model numbers are cast iron frame

♥ Note listing on inside back flap
Specifications are subject to change without notice

Green items are Premium Efficient

Pump
Motors

Washguard
Motors

Agricultural
Duty Motors

HVAC / Fan
Motors

Special Voltage
Motors

Definite
Purpose Motors

Brake Motors

IEC Motors

DC Motors



Features:

- 25 to 500 horsepower
- 3600 & 1800 RPM's
- 250 frame rolled steel construction
- 280 frame and larger - cast iron construction
- EPAct efficiency
- Ball bearings
- NEMA® design B, code G
- 230/460 and 460 volt motors rated for 50HZ at next lower HP, with 1.15 S.F. on nameplate
- Dual voltage motors – 12 leads suitable for Y-Delta, low voltage PWS, and across the line start
- Single voltage motors – 12 leads suitable for Y-Delta, PWS, and across the line start
- C Face kits available through 250HP
- For special designs contact district sales office near you
- Exterior red paint
- UL listed and CSA certified (UL1004A) and CE marked



Three Phase - Drip-Proof - Rigid Base

HP	SYN RPM 60 Hz	NEMA Frame	▼ Catalog Number	Stock	List Price	Model Number	App. Wgt. (lbs)	Voltage	*F. L. Amps	% FL. EFF.	Service Factor	"C" Dim. (Inches)	♥Notes
25	3600	256T	LM80103	C/A	1,930	SSD2P25T62AP5	164	200/400	—	91.0	1.15	—	S, US
25	3600	256T	LM80104	C/A	1,930	SSD2P25T61AP5	164	230/460	58.0	91.0	1.15	22.32	S, US
25	1800	284T	LM80105	C/A	2,709	CCD4P25T62YAP5	420	200/400	70.0	91.7	1.15	23.49	C, US
25	1800	284T	LM80106	C/A	2,709	CCD4P25T61YAP5	420	230/460	61.0	91.7	1.15	23.49	C, US
30	3600	284TS	LM80107	C/A	2,902	CCD2P30TS62YAP5	318	200/400	83.0	91.0	1.15	22.06	C, US
30	3600	284TS	LM80108	C/A	2,902	CCD2P30TS61YAP5	318	230/460	72.0	91.0	1.15	22.06	C, US
30	1800	286T	LM80109	C/A	3,193	CCD4P30T62YAP5	364	200/400	83.0	92.4	1.15	23.56	C, US
30	1800	286T	LM80110	C/A	3,193	CCD4P30T61YAP5	364	230/460	72.0	92.4	1.15	23.49	C, US
40	3600	286TS	LM80111	C/A	3,237	CCD2P40TS62YAP5	360	200/400	123.0	91.7	1.15	23.64	C, US
40	3600	286TS	LM80112	C/A	3,237	CCD2P40TS61YAP5	360	230/460	107.0	91.7	1.15	23.56	C, US
40	1800	324TS	LM80113	C/A	3,592	CCD4P40TS62YAP5	465	200/400	127.0	93.0	1.15	24.50	C, US
40	1800	324TS	LM80114	C/A	3,592	CCD4P40TS61YAP5	465	230/460	97.0	93.0	1.15	24.50	C, US
40	1800	324T	LM80115	C/A	3,592	CCD4P40T62YAP5	465	200/400	112.0	93.0	1.15	26.00	C, US
40	1800	324T	LM80116	C/A	3,592	CCD4P40T61YAP5	465	230/460	97.0	93.0	1.15	26.00	C, US
50	3600	324TS	LM80117	C/A	3,426	CCD2P50TS62YAP5	415	200/400	135.0	92.4	1.15	24.50	C, US
50	3600	324TS	LM80118	C/A	3,426	CCD2P50TS61YAP5	415	230/460	117.0	92.4	1.15	24.50	C, US
50	1800	326TS	LM80119	C/A	3,828	CCD4P50TS62YAP5	515	200/400	142.0	93.0	1.15	26.00	C, US
50	1800	326TS	LM80120	C/A	3,828	CCD4P50TS61YAP5	515	230/460	123.0	93.0	1.15	26.00	C, US
50	1800	326T	LM80121	C/A	3,828	CCD4P50T62YAP5	515	200/400	161.0	93.0	1.15	26.00	C, US
50	1800	326T	LM80122	C/A	3,828	CCD4P50T61YAP5	515	230/460	123.0	93.0	1.15	27.50	C, US

Shaded model numbers are cast iron frame

Continued On Next Page

▼ LM Numbers are Lincoln Models

* Full load amps at lowest listed voltage

C/A - Check Availability

♥ Note listing on inside back flap
Specifications are subject to change without notice

Pump Motors

Lincoln Fire Pump Motors - Drip-Proof - Rigid Base

Three Phase - Drip-Proof - Rigid Base

HP	SYN RPM 60 Hz	NEMA Frame	▼ Catalog Number	Stock	List Price	Model Number	App. Wgt. (lbs)	Voltage	*F. L. Amps	% FL. EFF.	Service Factor	"C" Dim. (Inches)	♥Notes
60	3600	326TS	LM80123	C/A	3,817	CCD2P60TS62YAP5	340	200/400	155.0	93.0	1.15	26.00	C, US
60	3600	326TS	LM80124	C/A	3,817	CCD2P60TS61YAP5	340	230/460	135.0	93.0	1.15	26.00	C, US
60	1800	364TS	LM80125	C/A	7,234	CCD4P60TS62YAP5	805	200/400	166.0	93.6	1.15	26.50	C, US
60	1800	364TS	LM80126	C/A	7,241	CCD4P60TS61YAP5	805	230/460	144.0	93.6	1.15	26.50	C, US
60	1800	364T	LM80127	C/A	7,241	CCD4P60T62YAP5	805	200/400	166.0	93.6	1.15	28.62	C, US
60	1800	364T	LM80128	C/A	7,241	CCD4P60T61YAP5	805	230/460	144.0	93.6	1.15	28.62	C, US
75	3600	364TS	LM80129	C/A	7,072	CCD2P75TS62YAP5	950	200/400	211.0	93.0	1.15	26.50	C, US
75	3600	364TS	LM80130	√	7,517	CCD2P75TS61YAP5	950	230/460	183.0	93.0	1.15	26.50	C, US
75	1800	365TS	LM80131	C/A	7,535	CCD4P75TS62YAP5	766	200/400	204.0	94.1	1.15	27.50	C, US
75	1800	365TS	LM80132	C/A	7,535	CCD4P75TS61YAP5	766	230/460	177.0	94.1	1.15	27.50	C, US
75	1800	365T	LM80133	C/A	7,535	CCD4P75T62YAP5	766	200/400	204.0	94.1	1.15	29.62	C, US
75	1800	365T	LM80134	√	7,535	CCD4P75T61YAP5	766	230/460	177.0	94.1	1.15	29.62	C, US
100	3600	365TS	LM80135	C/A	7,361	CCD2P100TS62YAP5	730	200/400	276.0	93.0	1.15	27.50	C, US
100	3600	365TS	LM80136	C/A	7,361	CCD2P100TS61YAP5	730	230/460	240.0	93.0	1.15	27.50	C, US
100	1800	404TS	LM80137	C/A	9,263	CCD4P100TS62YAP5	1065	200/400	267.0	94.1	1.15	29.50	C, US
100	1800	404TS	LM80138	C/A	9,263	CCD4P100TS61YAP5	1065	230/460	236.0	94.1	1.15	29.50	C, US
100	1800	404T	LM80139	C/A	9,263	CCD4P100T62YAP5	1065	200/400	271.0	94.1	1.15	32.50	C, US
100	1800	404T	LM80140	√	9,263	CCD4P100T61YAP5	1065	230/460	236.0	94.1	1.15	32.50	C, US
125	3600	404TS	LM80141	C/A	8,772	CCD2P125TS62YAP5	949	200/400	327.0	93.6	1.15	29.50	C, US
125	3600	404TS	LM80142	√	8,772	CCD2P125TS61YAP5	949	230/460	284.0	93.6	1.15	29.50	C, US
125	1800	405TS	LM80143	C/A	9,907	CCD4P125TS62YAP5	1070	200/400	327.0	94.5	1.15	29.50	C, US
125	1800	405TS	LM80144	C/A	9,907	CCD4P125TS61YAP5	1070	230/460	288.0	94.5	1.15	31.00	C, US
125	1800	405T	LM80145	C/A	9,907	CCD4P125T62YAP5	1070	200/400	331.0	94.5	1.15	34.00	C, US
125	1800	405T	LM80146	√	9,907	CCD4P125T61YAP5	1070	230/460	288.0	94.5	1.15	34.00	C, US
150	3600	405TS	LM80147	C/A	9,042	CCD2P150TS6011PYAP5	983	400	194.0	93.6	1.15	31.00	C, US
150	3600	405TS	LM80148	√	9,042	CCD2P150TS64PYAP5	983	460	169.0	93.6	1.15	31.00	C, US
150	1800	444TS	LM80149	C/A	11,581	CCD4P150TS6011PYAP5	1265	400	199.0	95.0	1.15	34.00	C, US
150	1800	444TS	LM80150	C/A	11,581	CCD4P150TS64PYAP5	1265	460	173.0	95.0	1.15	34.00	C, US
150	1800	444T	LM80151	C/A	11,581	CCD4P150T6011PYAP5	1265	400	199.0	95.0	1.15	37.75	C, US
150	1800	444T	LM80152	√	11,581	CCD4P150T64PYAP5	1265	460	173.0	95.0	1.15	37.75	C, US
200	3600	444TS	LM80153	C/A	11,704	CCD2P200TS6011PYAP5	1315	400	259.0	94.5	1.15	34.00	C, US
200	3600	444TS	LM80154	√	11,704	CCD2P200TS64PYAP5	1315	460	225.0	94.5	1.15	34.00	C, US
200	1800	445TS	LM80155	C/A	12,442	CCD4P200TS6011PYAP5	1412	400	268.0	95.0	1.15	36.00	C, US
200	1800	445TS	LM80156	C/A	12,442	CCD4P200TS64PYAP5	1412	460	233.0	95.0	1.15	36.00	C, US
200	1800	445T	LM80157	C/A	12,442	CCD4P200T6011PYAP5	1412	400	268.0	95.0	1.15	39.75	C, US
200	1800	445T	LM80158	√	12,442	CCD4P200T64PYAP5	1412	460	233.0	95.0	1.15	39.75	C, US
250	3600	445TS	LM80159	C/A	12,506	CCD2P250TS6011PYAP5	1387	400	321.0	94.5	1.15	36.00	C, US
250	3600	445TS	LM80160	C/A	12,506	CCD2P250TS64PYAP5	1387	460	279.0	94.5	1.15	36.00	C, US
250	1800	445TS	LM80161	C/A	13,700	CCD4P250TS6011PYAP5	1428	400	328.0	95.4	1.15	36.00	C, US
250	1800	445TS	LM80162	C/A	13,700	CCD4P250TS64PYAP5	1428	460	285.0	95.4	1.15	36.00	C, US
250	1800	445T	LM80163	C/A	13,700	CCD4P250T6011PYAP5	1428	400	328.0	95.4	1.15	39.75	C, US
250	1800	445T	LM80164	√	13,700	CCD4P250T64PYAP5	1428	460	285.0	95.4	1.15	39.75	C, US

Shaded model numbers are cast iron frame

Continued On Next Page

▼ LM Numbers are Lincoln Models
 * Full load amps at lowest listed voltage
 C/A - Check Availability

♥ Note listing on inside back flap
 Specifications are subject to change without notice



Three Phase - Drip-Proof - Rigid Base

HP	SYN RPM 60 Hz	NEMA Frame	▼ Catalog Number	Stock	List Price	Model Number	App. Wgt. (lbs)	Voltage	*F. L. Amps	% F.L. EFF.	Service Factor	"C" Dim. (Inches)	♥ Notes
300	3600	447TS	LM80165	C/A	16,781	CCD2P300TS6011PYAP5	2255	400	382.0	95.0	1.15	39.50	C, US
300	3600	447TS	LM80166	√	16,781	CCD2P300TS64PYAP5	2255	460	332.0	95.0	1.15	39.50	C, US
300	1800	447TS	LM80167	C/A	17,635	CCD4P300TS6011PYAP5	1952	400	397.0	95.4	1.15	39.50	C, US
300	1800	447TS	LM80168	C/A	17,635	CCD4P300TS64PYAP5	1952	460	345.0	95.4	1.15	39.50	C, US
300	1800	447T	LM80169	C/A	17,635	CCD4P300T6011PYAP5	1952	400	397.0	95.4	1.15	43.25	C, US
300	1800	447T	LM80170	√	17,635	CCD4P300T64PYAP5	1952	460	345.0	95.4	1.15	43.25	C, US
350	3600	447TS	LM80171	C/A	17,483	CCD2P350TS6011PYAP5	2068	400	443.0	95.0	1.15	39.50	C, US
350	3600	447TS	LM80172	√	17,483	CCD2P350TS64PYAP5	2068	460	385.0	95.0	1.15	39.50	C, US
350	1800	447TS	LM80173	C/A	17,593	CCD4P350TS6011PYAP5	1950	400	466.0	95.4	1.15	39.50	C, US
350	1800	447TS	LM80174	C/A	17,593	CCD4P350TS64PYAP5	1950	460	405.0	95.4	1.15	39.50	C, US
350	1800	447T	LM80175	C/A	17,593	CCD4P350T6011PYAP5	1950	400	466.0	95.4	1.15	43.25	C, US
350	1800	447T	LM80176	√	17,593	CCD4P350T64PYAP5	1950	460	405.0	95.4	1.15	43.25	C, US
400	1800	447TS	LM80178	√	19,686	CCD4P400TS64PYAP5	2214	460	450.0	95.4	1.15	39.50	C, US
450	1800	449TS	LM80180	√	26,119	CCD4P450TS64PYAP5	2675	460	505.0	95.8	1.15	44.50	C, US
500	1800	449TS	LM80182	√	28,513	CCD4P500TS64PYAP5	2695	460	560.0	95.8	1.15	44.50	C, US

Shaded model numbers are cast iron frame

♥ Note listing on inside back flap
Specifications are subject to change without notice

▼ LM Numbers are Lincoln Models
C/A - Check Availability

Pump Motors

Washguard Motors

Agricultural Duty Motors

HVAC / Fan Motors

Special Voltage Motors

Definite Purpose Motors

Brake Motors

IEC Motors

DC Motors



Pump Motors

Lincoln Fire Pump Motors - TEFC - Rigid Base



Features:

- 3 to 450 horsepower
- 3600 & 1800 RPM's
- EPA efficiency
- Ball bearings
- NEMA® design B, code G
- 230/460 and 460 volt motors rated for 50HZ at next lower HP, with 1.15 S.F. on nameplate
- Dual voltage motors – 12 leads suitable for Y-Delta, low voltage PWS, and across the line start
- Single voltage motors – 12 leads suitable for Y-Delta, PWS, and across the line start
- C-Face kits available through 250HP
- For special designs contact district sales office near you
- Exterior red paint
- UL listed and CSA certified (UL1004A) and CE marked

Three Phase - TEFC - Rigid Base

HP	SYN RPM 60 Hz	NEMA Frame	▼ Catalog Number	Stock	List Price	Model Number	App. Wgt. (lbs)	Voltage	*F. L. Amps	% FL. EFF.	Service Factor	"C" Dim. (Inches)	♥Notes
3	3600	182T	LM80050	C/A	1,017	CCF2P3T62AP5	84	200/400	8.5	86.5	1.15	15.87	C, US
3	3600	182T	LM80051	C/A	1,017	CCF2P3T61AP5	84	230/460	7.4	86.5	1.15	15.87	C, US
3	1800	182T	LM80053	C/A	1,103	CCF4P3T61AP5	90	230/460	8.6	87.5	1.15	15.87	C, US
5	3600	184T	LM80055	C/A	1,170	CCF2P5T61AP5	108	230/460	12.2	87.5	1.15	15.87	C, US
5	1800	184T	LM80056	C/A	1,206	CCF4P5T62AP5	123	200/400	15.0	87.5	1.15	15.87	C, US
5	1800	184T	LM80057	C/A	1,206	CCF4P5T61AP5	123	230/460	13.0	87.5	1.15	15.87	C, US
7 1/2	3600	213T	LM80058	C/A	1,633	CCF2P7.5T62AP5	188	200/400	21.9	88.5	1.15	18.20	C, US
7 1/2	3600	213T	LM80059	C/A	1,633	CCF2P7.5T61AP5	188	230/460	19.0	88.5	1.15	18.20	C, US
7 1/2	1800	213T	LM80060	C/A	1,606	CCF4P7.5T62AP5	194	200/400	23.0	89.5	1.15	18.20	C, US
7 1/2	1800	213T	LM80061	C/A	1,606	CCF4P7.5T61AP5	194	230/460	20.0	89.5	1.15	19.63	C, US
10	3600	215T	LM80062	C/A	1,729	CCF2P10T62AP5	217	200/400	27.6	89.5	1.15	19.63	C, US
10	3600	215T	LM80063	C/A	1,729	CCF2P10T61AP5	217	230/460	24.0	89.5	1.15	22.63	C, US
10	1800	215T	LM80064	C/A	1,788	CCF4P10T62AP5	227	200/400	28.8	89.5	1.15	22.63	C, US
10	1800	215T	LM80065	√	1,788	CCF4P10T61AP5	227	230/460	25.0	89.5	1.15	22.63	C, US
15	3600	254T	LM80066	C/A	2,437	CCF2P15T62AP5	370	200/400	—	90.2	1.15	—	C, US
15	3600	254T	LM80067	C/A	2,437	CCF2P15T61AP5	370	230/460	35.0	90.2	1.15	23.69	C, US
15	1800	254T	LM80068	C/A	2,336	CCF4P15T62AP5	365	200/400	—	91.0	1.15	—	C, US
15	1800	254T	LM80069	C/A	2,336	CCF4P15T61AP5	365	230/460	39.0	91.0	1.15	23.52	C, US
20	3600	256T	LM80070	C/A	2,943	CCF2P20T62AP5	334	200/400	—	90.2	1.15	—	C, US
20	3600	256T	LM80071	C/A	2,943	CCF2P20T61AP5	334	230/460	46.5	90.2	1.15	25.27	C, US
20	1800	256T	LM80072	C/A	2,507	CCF4P20T62AP5	420	200/400	57.5	91.0	1.15	25.27	C, US
20	1800	256T	LM80073	C/A	2,507	CCF4P20T61AP5	420	230/460	50.0	91.0	1.15	25.27	C, US
25	3600	284TS	LM80074	C/A	3,808	CCF2P25T62YAP5	384	200/400	—	91.0	1.15	—	C, US
25	3600	284TS	LM80075	C/A	3,808	CCF2P25T61YAP5	384	230/460	59.0	91.0	1.15	24.89	C, US
25	1800	284T	LM80076	C/A	3,043	CCF4P25T62YAP5	440	200/400	—	92.4	1.15	—	C, US
25	1800	284T	LM80077	C/A	3,043	CCF4P25T61YAP5	440	230/460	61.0	92.4	1.15	26.27	C, US

Shaded model numbers are cast iron frame

Continued On Next Page

▼ LM Numbers are Lincoln Models

* Full load amps at lowest listed voltage

C/A - Check Availability

♥ Note listing on inside back flap
Specifications are subject to change without notice

Three Phase - TEFC - Rigid Base

HP	SYN RPM 60 Hz	NEMA Frame	▼ Catalog Number	Stock	List Price	Model Number	App. Wgt. (lbs)	Voltage	*F. L. Amps	% F.L. EFF.	Service Factor	"C" Dim. (Inches)	♥Notes
30	3600	286TS	LM80078	C/A	4,520	CCF2P30TS62YAP5	428	200/400	—	91.0	1.15	—	C, US
30	3600	286TS	LM80079	C/A	4,520	CCF2P30TS61YAP5	428	208-230/460	70.0	91.0	1.15	26.43	C, US
30	1800	286T	LM80080	C/A	3,639	CCF4P30T62YAP5	494	200/400	—	92.4	1.15	—	C, US
30	1800	286T	LM80081	C/A	3,639	CCF4P30T61YAP5	494	208-230/460	72.0	92.4	1.15	27.84	C, US
40	3600	324TS	LM80084	C/A	6,329	CCF2P40TS62YAP5	520	200/400	—	91.7	1.15	—	C, US
40	3600	324TS	LM80085	√	6,329	CCF2P40TS61YAP5	520	208-230/460	92.0	91.7	1.15	27.47	C, US
40	1800	324TS	LM80183	C/A	5,330	CCF4P40TS62YAP5	575	200/400	—	93.0	1.15	—	C, US
40	1800	324TS	LM80184	C/A	5,330	CCF4P40TS61YAP5	575	208-230/460	100.0	93.0	1.15	27.47	C, US
40	1800	324T	LM80027	C/A	5,330	CCF4P40T62YAP5	575	200/400	—	93.0	1.15	—	C, US
40	1800	324T	LM80086	√	5,330	CCF4P40T61YAP5	575	208-230/460	100.0	93.0	1.15	28.97	C, US
50	3600	326TS	LM80028	C/A	7,389	CCF2P50TS62YAP5	540	200/400	—	93.0	1.15	—	C, US
50	3600	326TS	LM80087	C/A	7,389	CCF2P50TS61YAP5	540	208-230/460	112.0	93.0	1.15	28.97	C, US
50	1800	326TS	LM80186	C/A	5,985	CCF4P50TS62YAP5	675	200/400	—	93.6	1.15	—	C, US
50	1800	326TS	LM80187	C/A	5,985	CCF4P50TS61YAP5	675	208-230/460	122.0	93.6	1.15	28.87	C, US
50	1800	326T	LM80029	C/A	5,985	CCF4P50T62YAP5	675	200/400	140.0	93.6	1.15	30.37	C, US
50	1800	326T	LM80088	C/A	5,985	CCF4P50T61YAP5	675	208-230/460	122.0	93.6	1.15	31.87	C, US
60	3600	364TS	LM80030	C/A	8,904	CCF2P60TS62YAP5	875	200/400	—	93.0	1.15	—	C, US
60	3600	364TS	LM80089	√	8,904	CCF2P60TS61YAP5	875	208-230/460	138.0	93.0	1.15	29.38	C, US
60	1800	364TS	LM80188	C/A	8,251	CCF4P60TS62YAP5	975	200/400	—	93.6	1.15	—	C, US
60	1800	364TS	LM80185	C/A	8,251	CCF4P60TS61YAP5	975	208-230/460	142.0	93.6	1.15	29.38	C, US
60	1800	364T	LM80031	C/A	8,251	CCF4P60T62YAP5	975	200/400	—	93.6	1.15	—	C, US
60	1800	364T	LM80090	√	8,251	CCF4P60T61YAP5	975	208-230/460	142.0	93.6	1.15	31.50	C, US
75	3600	365TS	LM80032	C/A	10,605	CCF2P75TS62YAP5	1000	200/400	—	93.6	1.15	—	C, US
75	3600	365TS	LM80091	√	10,605	CCF2P75TS61YAP5	1000	208-230/460	172.0	93.6	1.15	30.38	C, US
75	1800	365TS	LM80189	C/A	10,407	CCF4P75TS62YAP5	1025	200/400	—	94.1	1.15	—	C, US
75	1800	365TS	LM80190	C/A	10,407	CCF4P75TS61YAP5	1025	208-230/460	176.0	94.1	1.15	30.38	C, US
75	1800	365T	LM80033	C/A	10,407	CCF4P75T62YAP5	1025	200/400	—	94.1	1.15	—	C, US
75	1800	365T	LM80092	√	10,407	CCF4P75T61YAP5	1025	208-230/460	176.0	94.1	1.15	32.50	C, US
100	3600	405TS	LM80034	C/A	14,508	CCF2P100TS62YAP5	1239	200/400	—	94.1	1.15	—	C, US
100	3600	405TS	LM80093	√	14,508	CCF2P100TS61YAP5	1239	208-230/460	224.0	94.1	1.15	34.12	C, US
100	1800	405TS	LM80191	C/A	12,574	CCF4P100TS62YAP5	1267	200/400	172.0	94.5	1.15	30.38	C, US
100	1800	405TS	LM80192	C/A	12,574	CCF4P100TS61YAP5	1267	208-230/460	224.0	94.5	1.15	32.62	C, US
100	1800	405T	LM80035	C/A	12,574	CCF4P100T62YAP5	1267	200/400	—	94.5	1.15	—	C, US
100	1800	405T	LM80094	√	12,574	CCF4P100T61YAP5	1267	208-230/460	224.0	94.5	1.15	37.12	C, US
125	3600	444TS	LM80036	C/A	17,670	CCF2P125TS6011PYAP5	1750	400	—	94.5	1.15	—	C, US
125	3600	444TS	LM80095	√	17,670	CCF2P125TS64PYAP5	1750	460	—	94.5	1.15	—	C, US
125	1800	444TS	LM80193	C/A	16,806	CCF4P125TS6011PYAP5	1805	400	167.0	94.5	1.15	39.60	C, US
125	1800	444TS	LM80194	C/A	16,806	CCF4P125TS64PYAP5	1805	460	142.0	94.5	1.15	37.60	C, US
125	1800	444T	LM80037	C/A	16,806	CCF4P125T6011PYAP5	1805	400	167.0	94.5	1.15	43.35	C, US
125	1800	444T	LM80096	√	16,806	CCF4P125T64PYAP5	1805	460	145.0	94.5	1.15	43.35	C, US

Shaded model numbers are cast iron frame

Continued On Next Page

▼ LM Numbers are Lincoln Models
 * Full load amps at lowest listed voltage
 C/A - Check Availability

♥ Note listing on inside back flap
 Specifications are subject to change without notice



Pump Motors

Lincoln Fire Pump Motors - TEFC - Rigid Base

Three Phase - TEFC - Rigid Base

HP	SYN RPM 60 Hz	NEMA Frame	▼ Catalog Number	Stock	List Price	Model Number	App. Wgt. (lbs)	Voltage	F. L. Amps	% F.L. EFF.	Service Factor	"C" Dim. (Inches)	♥Notes
150	1800	445TS	LM80195	C/A	19,493	CCF4P150TS6011PYAP5	2116	400	—	95.0	1.15	—	C, US
150	1800	445TS	LM80196	C/A	19,493	CCF4P150TS64PYAP5	2116	460	170.0	95.0	1.15	39.60	C, US
150	1800	445T	LM80039	C/A	19,493	CCF4P150T6011PYAP5	2116	400	—	95.0	1.15	—	C, US
150	1800	445T	LM80098	√	19,493	CCF4P150T64PYAP5	2116	460	170.0	95.0	1.15	43.35	C, US
200	1800	445TS	LM80197	C/A	24,108	CCF4P200TS6011PYAP5	2311	400	—	95.4	1.15	—	C, US
200	1800	445TS	LM80198	C/A	24,108	CCF4P200TS64PYAP5	2311	460	—	95.4	1.15	—	C, US
200	1800	445T	LM80041	C/A	24,108	CCF4P200T6011PYAP5	2311	400	—	95.4	1.15	—	C, US
200	1800	445T	LM80100	C/A	24,108	CCF4P200T64PYAP5	2311	460	224.0	95.4	1.15	43.35	C, US
250	1800	449TS	LM80199	C/A	28,775	CC449F4P250TS6011PYAP5	2600	400	—	93.0	1.15	—	C, US
250	1800	449TS	LM80200	C/A	28,775	CC449F4P250TS64PYAP5	2600	460	326.0	93.0	1.15	48.09	C, US
250	1800	449T	LM80043	C/A	28,775	CC449F4P250T6011PYAP5	2600	400	—	95.4	1.15	—	C, US
250	1800	449T	LM80102	√	28,775	CC449F4P250T64PYAP5	2600	460	290.0	95.4	1.15	51.85	C, US
300	1800	449TS	LM80201	C/A	30,086	CCF4P300TS6011PYAP5	3041	400	374.0	93.0	1.15	48.09	C, US
300	1800	449TS	LM80202	C/A	30,086	CCF4P300TS64PYAP5	3041	460	335.0	93.0	1.15	48.09	C, US
300	1800	449T	LM80045	C/A	30,086	CCF4P300T6011PYAP5	3041	400	385.0	95.4	1.15	51.86	C, US
300	1800	449T	LM80018	√	30,086	CCF4P300T64PYAP5	3041	460	335.0	95.4	1.15	51.86	C, US
350	1800	449TS	LM80203	C/A	31,158	CCF4P350TS6011PYAP5	3202	400	—	93.0	1.15	—	C, US
350	1800	449TS	LM80204	C/A	31,158	CCF4P350TS64PYAP5	3202	460	400.0	93.0	1.15	48.09	C, US
350	1800	449T	LM80047	C/A	31,158	CCF4P350T6011PYAP5	3202	400	—	95.4	1.15	—	C, US
350	1800	449T	LM80020	C/A	31,158	CCF4P350T64PYAP5	3202	460	400.0	95.4	1.15	51.88	C, US
400	1800	5011L	LM80049	C/A	64,638	CC5011F4P400L6011PYAP5	5500	400	—	95.8	1.15	—	C, US
400	1800	449T	LM80022†	√	64,638	CC5011F4P400L64PYAP5	5500	460	448.0	95.8	1.15	51.85	C, US
450	1800	5011L	LM80082	C/A	66,448	CC5011F4P450L6011PYAP5	5500	400	—	95.8	1.15	—	C, US
450	1800	5011L	LM80083±	√	66,448	CC5011F4P450L64PYAP5	5500	460	495.0	95.8	1.15	70.94	C, US

Shaded model numbers are cast iron frame

♥ Note listing on inside back flap
Specifications are subject to change without notice

▼ LM Numbers are Lincoln Models

C/A - Check Availability

† - 50HZ rated at 300HP

± - 50HZ rated at 350HP



Hydraulic SAE Pump Motors



Specifications:

- Rolled steel and cast iron construction
- Rigid base construction
- 230/460 Volt
- IRIS® Inverter insulation system
- 575 Volt ratings available - contact your local sales office
- Higher HP SAE Pump motors available - contact your local sales office

Pump Motors

Washguard Motors

Agricultural Duty Motors

HVAC / Fan Motors

Special Voltage Motors

Definite Purpose Motors

Brake Motors

IEC Motors

DC Motors

Three Phase - TEFC - SAE Flange - Rigid Base

HP	SYN RPM 60 Hz	NEMA Frame	Catalog Number	Stock	List Price	Model Number	Flange Type	Voltage	F. L. Amps @ 230 V	% FL. EFF.	Service Factor	"C" Dim. (Inches)	♥Notes
1/2	3600	56YZ	117813.00	C/A	481	C6T34FZ47	2-Bolt SAE AA	208-230/460	2.0	72.0	1.15	8.67	S, US
1/2	3600	56YZ	117925.00	C/A	481	C6T34FZ48	4-Bolt SAE AA	208-230/460	2.0	72.0	1.15	8.67	S, US
1/2	3600	56YZ	117926.00	C/A	481	C6T34FZ49	2-Bolt SAE A	208-230/460	2.0	72.0	1.15	8.50	S, US
1/2	3600	56YZ	117927.00	C/A	481	C6T34FZ50	2-Bolt SAE B	208-230/460	2.0	72.0	1.15	8.93	S, US
1/2	1800	56YZ	117814.00	C/A	417	C6T17FZ97	2-Bolt SAE AA	208-230/460	2.0	74.0	1.15	8.67	S, US
1/2	1800	56YZ	117928.00	C/A	417	C6T17FZ100	4-Bolt SAE AA	208-230/460	2.0	74.0	1.15	8.67	S, US
1/2	1800	56YZ	117929.00	C/A	417	C6T17FZ101	2-Bolt SAE A	208-230/460	2.0	74.0	1.15	8.50	S, US
1/2	1800	56YZ	117930.00	C/A	417	C6T17FZ102	2-Bolt SAE B	208-230/460	2.0	74.0	1.15	8.93	S, US
3/4	3600	56YZ	117815.00	C/A	582	C6T34FZ51	2-Bolt SAE AA	208-230/460	2.4	75.5	1.15	8.67	S, US
3/4	3600	56YZ	117931.00	C/A	582	C6T34FZ55	4-Bolt SAE AA	208-230/460	2.4	75.5	1.15	8.67	S, US
3/4	3600	56YZ	117932.00	C/A	582	C6T34FZ56	2-Bolt SAE A	208-230/460	2.4	75.5	1.15	8.50	S, US
3/4	3600	56YZ	117933.00	C/A	582	C6T34FZ57	2-Bolt SAE B	208-230/460	2.4	75.5	1.15	8.93	S, US
3/4	1800	56YZ	117816.00	C/A	548	C6T17FZ98	2-Bolt SAE AA	208-230/460	2.8	77.0	1.15	9.17	S, US
3/4	1800	56YZ	117934.00	C/A	548	C6T17FZ104	4-Bolt SAE AA	208-230/460	2.8	77.0	1.15	9.17	S, US
3/4	1800	56YZ	117935.00	C/A	548	C6T17FZ105	2-Bolt SAE A	208-230/460	2.8	77.0	1.15	9.00	S, US
3/4	1800	56YZ	117936.00	C/A	548	C6T17FZ106	2-Bolt SAE B	208-230/460	2.8	77.0	1.15	9.43	S, US
1	3600	56YZ	117817.00	C/A	575	C6T34FZ52	2-Bolt SAE AA	208-230/460	3.2	77.0	1.15	8.67	S, US
1	3600	56YZ	117937.00	C/A	575	C6T34FZ58	4-Bolt SAE AA	208-230/460	3.2	77.0	1.15	8.67	S, US
1	3600	56YZ	117938.00	C/A	575	C6T34FZ59	2-Bolt SAE A	208-230/460	3.2	77.0	1.15	9.00	S, US
1	3600	56YZ	117939.00	C/A	575	C6T34FZ60	2-Bolt SAE B	208-230/460	3.2	77.0	1.15	9.93	S, US
1	1800	56YZ	119752.00	C/A	823	C6T17FZ127	2-Bolt SAE AA	208-230/460	—	85.5	1.15	—	S, US
1	1800	56YZ	119753.00	C/A	823	C6T17FZ128	4-Bolt SAE AA	208-230/460	—	85.5	1.15	—	S, US
1	1800	56YZ	119466.00	C/A	823	C6T17FZ129	2-Bolt SAE A	208-230/460	—	85.5	1.15	—	S, US
1	1800	56YZ	119754.00	C/A	823	C6T17FZ130	2-Bolt SAE B	208-230/460	—	85.5	1.15	—	S, US
1	1800	143YZ	122313.00	C/A	842	C143T17FZ6	2-Bolt SAE AA	208-230/460	—	85.5	1.15	—	S, US
1	1800	143YZ	122314.00	C/A	842	C143T17FZ7	4-Bolt SAE AA	208-230/460	—	85.5	1.15	—	S, US
1	1800	143YZ	122315.00	C/A	842	C143T17FZ8	2-Bolt SAE A	208-230/460	—	85.5	1.15	—	S, US
1	1800	143YZ	122316.00	C/A	842	C143T17FZ9	2-Bolt SAE B	208-230/460	—	85.5	1.15	—	S, US

Continued On Next Page

Green items are Premium Efficient

C/A - Check Availability

Please review our on-line catalog for missing information that was not available at the time of this printing

♥ Note listing on inside back flap
Specifications are subject to change without notice



Hydraulic SAE Pump Motors

Three Phase - TEFC - SAE Flange - Rigid Base

HP	SYN RPM 60 Hz	NEMA Frame	Catalog Number	Stock	List Price	Model Number	Flange Type	Voltage	F. L. Amps @ 230 V	% F.L. EFF.	Service Factor	"C" Dim. (Inches)	Notes
3	3600	182TYZ	132356.00	D	1,182	C182T34FZ8	2-Bolt SAE A	208-230/460	7.8	84.0	1.15	11.96	S, MX
3	3600	182TYZ	132549.00	C/A	1,290	C182T34FZ11	2-Bolt SAE A	208-230/460	—	86.5	1.15	—	S, MX
3	3600	182TYZ	132357.00	D	1,182	C182T34FZ9	2-Bolt SAE B	208-230/460	7.8	84.0	1.15	12.21	S, MX
3	3600	182TYZ	132550.00	C/A	1,290	C182T34FZ12	2-Bolt SAE B	208-230/460	—	86.5	1.15	—	S, MX
3	1800	182TYZ	132346.00	D	1,156	C182T17FZ17	2-Bolt SAE AA	208-230/460	8.6	87.5	1.15	12.04	S, MX
3	1800	182TYZ	132551.00	C/A	1,290	C182T17FZ21	2-Bolt SAE AA	208-230/460	—	89.5	1.15	12.04	S, MX
3	1800	182TYZ	132552.00	C/A	1,290	C182T17FZ22	2-Bolt SAE A	208-230/460	—	89.5	1.15	11.96	S, MX
3	1800	182TYZ	132553.00	C/A	1,290	C182T17FZ23	2-Bolt SAE B	208-230/460	—	89.5	1.15	12.21	S, MX
5	3600	184TYZ	132347.00	D	1,307	C184T34FZ4	2-Bolt SAE AA	208-230/460	12.0	87.5	1.15	12.04	S, MX
5	3600	184TYZ	132554.00	C/A	1,426	C184T34FZ7	2-Bolt SAE AA	208-230/460	—	88.5	1.15	—	S, MX
5	3600	184TYZ	132362.00	D	1,307	C184T34FZ5	2-Bolt SAE A	208-230/460	12.0	87.5	1.15	11.96	S, MX
5	3600	184TYZ	132555.00	C/A	1,426	C184T34FZ8	2-Bolt SAE A	208-230/460	—	88.5	1.15	—	S, MX
5	3600	184TYZ	132363.00	D	1,307	C184T34FZ6	2-Bolt SAE B	208-230/460	12.0	87.5	1.15	12.21	S, MX
5	3600	184TYZ	132556.00	C/A	1,426	C184T34FZ9	2-Bolt SAE B	208-230/460	—	88.5	1.15	—	S, MX
5	1800	184TYZ	132557.00	C/A	1,348	C184T17FZ41	2-Bolt SAE AA	208-230/460	—	89.5	1.15	—	S, MX
5	1800	184TYZ	132558.00	C/A	1,348	C184T17FZ42	2-Bolt SAE A	208-230/460	—	89.5	1.15	—	S, MX
5	1800	184TYZ	132559.00	C/A	1,348	C184T17FZ43	2-Bolt SAE B	208-230/460	—	89.5	1.15	—	S, MX
7 1/2	3600	213TYZ	141156.00	D	2,349	C213T34FZ1	2-Bolt SAE AA	208-230/460	18.4	88.5	1.15	17.22	S, MX
7 1/2	3600	213TYZ	141336.00	C/A	2,566	C213T34FZ7	2-Bolt SAE AA	208-230/460	—	89.5	1.15	—	S, MX
7 1/2	3600	213TYZ	141337.00	C/A	2,566	C213T34FZ8	2-Bolt SAE A	208-230/460	—	89.5	1.15	—	S, MX
7 1/2	3600	213TYZ	141171.00	D	2,349	C213T34FZ3	2-Bolt SAE B	208-230/460	18.4	88.5	1.15	17.18	S, MX
7 1/2	3600	213TYZ	141342.00	C/A	2,566	C213T34FZ9	2-Bolt SAE B	208-230/460	—	89.5	1.15	—	S, MX
7 1/2	1800	213TYZ	141343.00	C/A	2,486	C213T17FZ7	2-Bolt SAE AA	208-230/460	—	91.7	1.15	—	S, MX
7 1/2	1800	213TYZ	141173.00	D	2,277	C213T17FZ2	2-Bolt SAE A	208-230/460	20.0	89.5	1.15	17.05	S, MX
7 1/2	1800	213TYZ	141344.00	C/A	2,486	C213T17FZ8	2-Bolt SAE A	208-230/460	—	91.7	1.15	—	S, MX
7 1/2	1800	213TYZ	141174.00	D	2,277	C213T17FZ3	2-Bolt SAE B	208-230/460	20.0	89.5	1.15	17.18	S, MX
7 1/2	1800	213TYZ	141338.00	C/A	2,486	C213T17FZ9	2-Bolt SAE B	208-230/460	—	91.7	1.15	—	S, MX

Continued On Next Page

Green items are Premium Efficient

D - Item to be discontinued once inventory is depleted
 C/A - Check Availability
 Please review our on-line catalog for missing information that was not available at the time of this printing

♥ Note listing on inside back flap
 Specifications are subject to change without notice



Three Phase - TEFC - SAE Flange - Rigid Base

HP	SYN RPM 60 Hz	NEMA Frame	Catalog Number	Stock	List Price	Model Number	Flange Type	Voltage	F. L. Amps @ 230 V	% FL. EFF.	Service Factor	"C" Dim. (Inches)	Notes
10	3600	215TYZ	141158.00	D	2,640	C215T34FZ1	2-Bolt SAE AA	208-230/460	24.0	89.5	1.15	17.22	S, MX
10	3600	215TYZ	141339.00	✓	2,870	C215T34FZ7	2-Bolt SAE AA	208-230/460	—	90.2	1.15		S, MX
10	3600	215TYZ	141176.00	D	2,640	C215T34FZ2	2-Bolt SAE A	208-230/460	24.0	89.5	1.15	17.05	S, MX
10	3600	215TYZ	141340.00	✓	2,870	C215T34FZ8	2-Bolt SAE A	208-230/460	—	90.2	1.15		S, MX
10	3600	215TYZ	141345.00	✓	2,870	C215T34FZ9	2-Bolt SAE B	208-230/460	—	90.2	1.15		S, MX
10	1800	215TYZ	141159.00	D	2,381	C215T17FZ5	2-Bolt SAE AA	208-230/460	26.0	89.5	1.15	17.22	S, MX
10	1800	215TYZ	141346.00	✓	2,589	C215T17FZ11	2-Bolt SAE AA	208-230/460	—	91.7	1.15		S, MX
10	1800	215TYZ	141179.00	D	2,381	C215T17FZ6	2-Bolt SAE A	208-230/460	26.0	89.5	1.15	17.05	S, MX
10	1800	215TYZ	141347.00	✓	2,589	C215T17FZ12	2-Bolt SAE A	208-230/460	—	91.7	1.15		S, MX
10	1800	215TYZ	141180.00	D	2,381	C215T17FZ7	2-Bolt SAE B	208-230/460	26.0	89.5	1.15	17.18	S, MX
10	1800	215TYZ	141341.00	✓	2,589	C215T17FZ13	2-Bolt SAE B	208-230/460	—	91.7	1.15		S, MX
15	3600	254TYZ	851110.00	C/A	5,487	—	2-Bolt SAE A	208-230/460	—	91.0	1.15		C, US
15	3600	254TYZ	851111.00	C/A	5,415	—	2&4 Bolt SAE B	208-230/460	—	91.0	1.15		C, US
15	3600	254TYZ	851112.00	C/A	5,304	—	2&4 Bolt SAE BB	208-230/460	—	91.0	1.15		C, US
15	3600	254TYZ	851113.00	C/A	5,487	—	2&4 Bolt SAE C	208-230/460	—	91.0	1.15		C, US
15	1800	254TYZ	851041.00	C/A	4,216	—	2-Bolt SAE A	208-230/460	—	92.4	1.15		C, US
15	1800	254TYZ	851114.00	C/A	4,216	—	2&4 Bolt SAE B	208-230/460	—	92.4	1.15		C, US
15	1800	254TYZ	851115.00	C/A	4,216	—	2&4 Bolt SAE BB	208-230/460	—	92.4	1.15		C, US
15	1800	254TYZ	851116.00	C/A	4,216	—	2&4 Bolt SAE C	208-230/460	—	92.4	1.15		C, US
20	3600	256TYZ	851117.00	C/A	5,790	—	2-Bolt SAE A	208-230/460	—	91.0	1.15		C, US
20	3600	256TYZ	851118.00	C/A	5,790	—	2&4 Bolt SAE B	208-230/460	—	91.0	1.15		C, US
20	3600	256TYZ	851119.00	C/A	5,790	—	2&4 Bolt SAE BB	208-230/460	—	91.0	1.15		C, US
20	3600	256TYZ	851120.00	C/A	5,790	—	2&4 Bolt SAE C	208-230/460	—	91.0	1.15		C, US
20	1800	256TYZ	851042.00	C/A	4,790	—	2-Bolt SAE A	208-230/460	—	93.0	1.15		C, US
20	1800	256TYZ	851121.00	C/A	4,790	—	2&4 Bolt SAE B	208-230/460	—	93.0	1.15		C, US
20	1800	256TYZ	851122.00	C/A	4,790	—	2&4 Bolt SAE BB	208-230/460	—	93.0	1.15		C, US
20	1800	256TYZ	851123.00	C/A	4,790	—	2&4 Bolt SAE C	208-230/460	—	93.0	1.15		C, US
25	3600	284TYZ	851124.00	C/A	5,862	—	2-Bolt SAE A	208-230/460	—	91.7	1.15		C, US
25	3600	284TYZ	851125.00	C/A	5,862	—	2&4 Bolt SAE B	208-230/460	—	91.7	1.15		C, US
25	3600	284TYZ	851126.00	C/A	5,862	—	2&4 Bolt SAE BB	208-230/460	—	91.7	1.15		C, US
25	3600	284TYZ	851127.00	C/A	5,862	—	2&4 Bolt SAE C	208-230/460	—	91.7	1.15		C, US
25	1800	284TYZ	851128.00	C/A	5,428	—	2-Bolt SAE A	208-230/460	—	93.6	1.15		C, US
25	1800	284TYZ	851129.00	C/A	5,428	—	2&4 Bolt SAE B	208-230/460	—	93.6	1.15		C, US
25	1800	284TYZ	851130.00	C/A	5,428	—	2&4 Bolt SAE BB	208-230/460	—	93.6	1.15		C, US
25	1800	284TYZ	851131.00	C/A	5,428	—	2&4 Bolt SAE C	208-230/460	—	93.6	1.15		C, US
30	3600	286TYZ	850794.00	C/A	6,290	286TTFNA17005	2-Bolt SAE A	208-230/460	67.0	93.0	1.15	25.35	C, US
30	3600	286TYZ	851132.00	C/A	6,290	—	2&4 Bolt SAE B	208-230/460	—	93.0	1.15		C, US
30	3600	286TYZ	851133.00	C/A	6,290	—	2&4 Bolt SAE BB	208-230/460	—	93.0	1.15		C, US
30	3600	286TYZ	851134.00	C/A	6,290	—	2&4 Bolt SAE C	208-230/460	—	93.0	1.15		C, US
30	1800	286TYZ	850795.00	C/A	5,287	286TTFNA17055	2-Bolt SAE A	208-230/460	73.0	94.1	1.15	25.35	C, US
30	1800	286TYZ	850841.00	C/A	5,287	286TTFNA17058	2&4 Bolt SAE B	208-230/460	73.0	94.1	1.15	25.35	C, US
30	1800	286TYZ	850842.00	C/A	5,287	286TTFNA17057	2&4 Bolt SAE BB	208-230/460	73.0	94.1	1.15	25.35	C, US
30	1800	286TYZ	821135.00	C/A	5,287	—	2&4 Bolt SAE C	208-230/460	—	94.1	1.15		C, US

Shaded model numbers are cast iron frame

Continued On Next Page

Green items are Premium Efficient

Note - 254T frame and larger - 2 & 4 bolt B flange has a 13 teeth internal spline
 Note - 254T frame and larger - 2 & 4 bolt BB flange has a 15 teeth internal spline
 D - Item to be discontinued once inventory is depleted
 C/A - Check Availability
 Please review our on-line catalog for missing information that was not available at the time of this printing

♥ Note listing on inside back flap
 Specifications are subject to change without notice



Pump Motors
 Washguard Motors
 Agricultural Duty Motors
 HVAC / Fan Motors
 Special Voltage Motors
 Definite Purpose Motors
 Brake Motors
 IEC Motors
 DC Motors

Hydraulic SAE Pump Motors

Three Phase - TEFC - SAE Flange - Rigid Base

HP	SYN RPM 60 Hz	NEMA Frame	Catalog Number	Stock	List Price	Model Number	Flange Type	Voltage	*F. L. Amps	% F.L. EFF.	Service Factor	"C" Dim. (Inches)	♥Notes
40	3600	324TYZ	851136.00	C/A	7,538	_____	2-Bolt SAE A	208-230/460	_____	92.4	1.15	_____	C, US
40	3600	324TYZ	851137.00	C/A	7,467	_____	2&4 Bolt SAE B	208-230/460	_____	92.4	1.15	_____	C, US
40	3600	324TYZ	851138.00	C/A	7,357	_____	2&4 Bolt SAE BB	208-230/460	_____	92.4	1.15	_____	C, US
40	3600	324TYZ	851139.00	C/A	7,538	_____	2&4 Bolt SAE C	208-230/460	_____	92.4	1.15	_____	C, US
40	1800	324TYZ	851140.00	C/A	5,890	_____	2-Bolt SAE A	208-230/460	_____	94.1	1.15	_____	C, US
40	1800	324TYZ	851043.00	C/A	5,890	_____	2&4 Bolt SAE B	208-230/460	_____	94.1	1.15	_____	C, US
40	1800	324TYZ	851141.00	C/A	5,890	_____	2&4 Bolt SAE BB	208-230/460	_____	94.1	1.15	_____	C, US
40	1800	324TYZ	851142.00	C/A	5,890	_____	2&4 Bolt SAE C	208-230/460	_____	94.1	1.15	_____	C, US
50	3600	326TYZ	850798.00	C/A	7,358	326TTFPA17009	2-Bolt SAE A	208-230/460	90	93.0	1.15	27.58	C, US
50	3600	326TYZ	811130.00	C/A	7,822	_____	2&4 Bolt SAE B	208-230/460	_____	93.0	1.15	_____	C, US
50	3600	326TYZ	811131.00	C/A	7,711	_____	2&4 Bolt SAE BB	208-230/460	_____	93.0	1.15	_____	C, US
50	3600	326TYZ	811132.00	C/A	7,890	_____	2&4 Bolt SAE C	208-230/460	_____	93.0	1.15	_____	C, US
50	1800	326TYZ	811139.00	C/A	7,191	_____	2-Bolt SAE A	208-230/460	_____	94.5	1.15	_____	C, US, 2
50	1800	326TYZ	811133.00	C/A	7,191	_____	2&4 Bolt SAE B	208-230/460	_____	94.5	1.15	_____	C, US, 2
50	1800	326TYZ	811134.00	C/A	7,191	_____	2&4 Bolt SAE BB	208-230/460	_____	94.5	1.15	_____	C, US, 2
50	1800	326TYZ	811135.00	C/A	7,191	_____	2&4 Bolt SAE C	208-230/460	_____	94.5	1.15	_____	C, US, 2

Shaded model numbers are cast iron frame

♥ Note listing on inside back flap

Specifications are subject to change without notice

Green items are Premium Efficient

2 - 2:1 Constant torque, all others are 10:1 constant torque

Note - 254T frame and larger - 2 & 4 bolt B flange has a 13 teeth internal spline

Note - 254T frame and larger - 2 & 4 bolt BB flange has a 15 teeth internal spline

C/A - Check Availability

Please review our on-line catalog for missing information that was not available at the time of this printing

SAE Pump Pad Kits and Bushing Kits

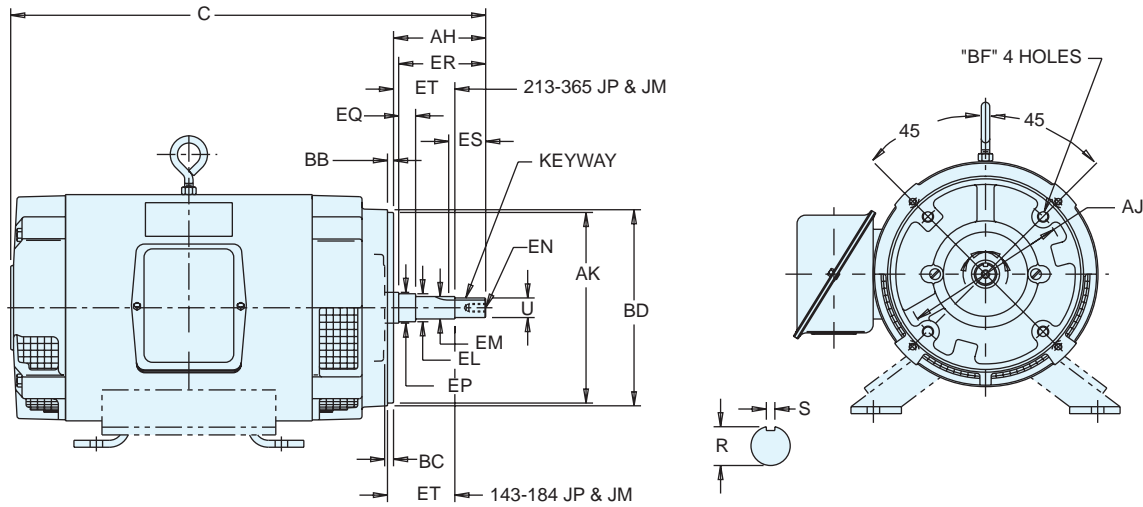
Kit Catalog Number	254 - 449 Frame Kits	Lead Time (days)	List Price
174341.00	Kit - SAE (A)	30	418
174342.00	Kit - SAE (B)	30	357
174344.00	Kit - SAE (C)	30	257
174345.00	Kit Bushing SAE (A)	30	159
174346.00	Kit Bushing SAE (B)	30	159
174347.00	Kit Bushing SAE (BB)	30	159
174348.00	Kit Bushing SAE (C)	30	159



Close Coupled Pump Motors

Dimensions - Definite Purpose - Close Coupled Pump Motors

Typical Close Coupled Pump Motors



Dimensions for Type JM

Frame Desig.	U	AH	AJ	AK	BB	BD Max.	BF			EL	EM	Tap Size	Tap Drill Depth Max.	Bolt Pen. Allow.	EP Min.	EQ	ER Min.	Keyseat			
							No.	Tap Size	Bolt Pen. Allow.									R	ES Min.	S	ET
143 & 145JM	0.8745 0.8740	4.15 4.10	5.890 5.860	4.500 4.497	0.150 0.10	6.62	4	3/8-16	0.56	1.156 1.154	1.0000 0.9995	3/8-16	1.12	0.75	1.156 0.610	0.640 0.610	4.25	0.771 0.756	1.65	0.190 0.188	2.890 2.860
182 & 184JM	0.8745 0.8740	4.13 4.09	5.89 5.86	4.500 4.497	0.16 0.125	6.62	4	3/8-16	0.56	1.250 1.248	1.0000 0.9995	3/8-16	1.12	0.75	1.250 0.610	0.640 0.610	4.25	0.771 0.756	1.65	0.190 0.188	2.890 2.860
213 & 215JM	0.8750 0.8745	4.25 4.235	7.265 7.235	8.500 8.497	0.312 0.250	9.00	4	1/2-13	0.75	1.250 1.248	1.0000 0.9995	3/8-16	1.12	0.75	1.750 0.610	0.640 0.610	4.25	0.771 0.756	1.65	0.190 0.188	2.890 2.860
254 & 256JM	1.2495 1.2490	5.25	7.250	8.500 8.497	0.312 0.250	10.00	4	1/2-13	0.75	1.750 1.748	1.3750 1.3745	1/2-13	1.50	1.00	1.750 0.610	0.640 0.610	5.25	1.112 1.097	2.53	0.252 0.250	3.015 2.985
284 & 286JM	1.2495 1.2490	5.281 5.219	11.00	12.500 12.495	0.312 0.250	14.00	4	5/8-11	0.94	1.750 1.748	1.3750 1.3745	1/2-13	1.50	1.00	2.125 0.645	0.605	5.25	1.112 1.097	2.53	0.252 0.250	3.020 2.980
324 & 326JM	1.2495 1.2490	5.281 5.219	11.00	12.500 12.495	0.312 0.250	14.00	4	5/8-11	0.94	1.750 1.478	1.3750 1.3745	1/2-13	1.50	1.00	2.125 0.605	0.645	5.25	1.112 1.097	2.53	0.252 0.250	3.020 2.980

Dimensions for Type JP

Frame Desig.	U	AH	AJ	AK	BB	BD Max.	BF			EL	EM	Tap Size	Tap Drill Depth Max.	Bolt Pen. Allow.	EP Min.	EQ	ER Min.	Keyseat			
							No.	Tap Size	Bolt Pen. Allow.									R	ES Min.	S	ET
143 & 145JP	0.8745 0.8740	7.19 7.15	5.890 5.860	4.500 4.497	0.156 0.125	6.62	4	3/8-16	0.56	1.156 1.154	1.0000 0.9995	3/8-16	1.12	0.75	1.156 1.548	1.578 1.548	7.312	0.771 0.756	1.65	0.190 0.188	5.952 5.922
182 & 184JP	0.8745 0.8740	7.21 7.15	5.890 5.860	4.500 4.497	0.156 0.100	6.62	4	3/8-16	0.56	1.250 1.248	1.0000 0.9995	3/8-16	1.12	0.75	1.250 1.548	1.578 1.548	7.312	0.771 0.756	1.65	0.190 0.188	5.952 5.922
213 & 215JP	1.2495 1.2490	8.12	7.250	8.500 8.497	0.312 0.250	9.00	4	1/2-13	0.75	1.750 1.748	1.3750 1.3745	1/2-13	1.50	1.00	1.750 2.360	2.390 2.360	8.125	1.112 1.097	2.53	0.252 0.250	5.890 5.860
254 & 256JP	1.2495 1.2490	8.156 8.094	7.250	8.500 8.497	0.312 0.250	10.00	4	1/2-13	0.75	1.750 1.748	1.3750 1.3745	1/2-13	1.50	1.00	1.750 2.360	2.390 2.360	8.125	1.112 1.097	2.53	0.252 0.250	5.890 5.855
284 & 286JP	1.2495 1.2490	8.156 8.094	11.00	12.500 12.495	0.312 0.250	14.00	4	5/8-11	0.94	1.750 1.748	1.3750 1.3745	1/2-13	1.50	1.00	2.125 2.360	2.390 2.360	8.125	1.112 1.097	2.53	0.252 0.250	5.895 5.860
324JP & 326JP	1.2495 1.2490	8.12	11.00	12.500 12.495	0.312 0.250	14.00	4	5/8-11	0.94	1.750 1.748	1.3750 1.3745	1/2-13	1.50	1.00	2.125 2.355	2.395 2.355	8.125	1.112 1.097	2.53	0.252 0.250	5.895 5.855
364JP & 365JP	1.6245 1.6240	8.12	11.00	12.500 12.495	0.312 0.250	14.00	4	5/8-11	0.94	2.125 2.13	1.7500 1.7495	1/2-13	1.50	1.00	2.500 2.355	2.395 2.355	8.125	1.416 1.401	2.53	0.377 0.375	5.895 5.855

All dimensions are measured in inches. For "C" dimensions, refer to the appropriate catalog page.
Certified drawings are available upon request - contact LEESON® for details.



Pump Motors
Washguard Motors
Agricultural Duty Motors
HVAC / Fan Motors
Special Voltage Motors
Definite Purpose Motors
Brake Motors
IEC Motors
DC Motors



- USDA-approved white epoxy finish
- Stainless steel motors
- Encapsulated stainless steel motors available
- NEMA® and IEC flange motors
- Three phase, single phase and DC washdown duty motors
- AC and DC washdown gearmotors
- Rigid base and C face mount types
- BISSC approved designs
- Double lip contact seals and v-ring seals used for shaft seals
- 3-year warranty on encapsulated and premium efficient models
- Washdown brakemotors and pump motors available
- UL recognized and CSA certified

Applications:

Designed to meet the demanding washdown conditions that you may find in food processing plants, chemical processing, pharmaceutical plants and the beverage and brewing industries.



Pump Motors

Washguard Motors

Agricultural Duty Motors

HVAC / Fan Motors

Special Voltage Motors

Definite Purpose Motors

Brake Motors

IEC Motors

DC Motors

Premium Stainless Duck

Maximum service in critically clean or corrosive environments



Washguard® Motors
Broad Product Range



- All exterior components of 300 series stainless steel
- Endshields o-ring sealed to frame
- IEEE 841 severe-duty features standard
- 3 phase designs meet IP56 enclosure protection
- AC, DC and IEC designs
- 1 phase designs meet IP55 enclosure protection
- (SGRs) shaft grounding rings

SSTDuck

Stainless Steel Tough for demanding washdown applications



- All exterior components of 300 series stainless steel, including motor frame, endshield and conduit box castings
- Moisture resistant sealant between frame and endbells
- Full-fact nameplate is laser-etched on the motor frame
- Four locations for T-drains provided on each endshield
- Meets IP55 enclosure protection

Washguard II Motors

Superior, extended life in severe environments



- Paint-free exterior—stainless frame and conduit box lid, specially processed endshields and conduit box housing
- Etched stainless steel nameplate
- Meets IP55 enclosure protection
- Three phase motors are suitable for use on VFDs

White Duck

Enhanced performance in wet, humid areas



- Our original moisture-shedding “duck” motor
- USDA-approved white epoxy finish
- Stainless steel shaft, conduit box cover, nameplate, fan guard
- Four endshield drains
- Meets IP55 enclosure protection

Extreme Duck® Ultra

Revolutionary designed stainless steel motors are built to be the last stainless steel washdown motors you will ever need!



- Total winding encapsulation using an epoxy resin
- All exterior components are 300-Series stainless steel
- (SRGs) shaft grounding rings
- Meets IP69K enclosure protection
- Pre-lubricated double-sealed bearings
- Full fact nameplate is laser etched



Pump Motors

Washguard Motors

Agricultural Duty Motors

HVAC / Fan Motors

Special Voltage Motors

Definite Purpose Motors

Brake Motors

IEC Motors

DC Motors



WASHGUARD MOTORS ARE BUILT TO HANDLE HIGH-PRESSURE WASHDOWNS!*

Stainless-steel or white polypropylene fan guard on all Washguard frames.

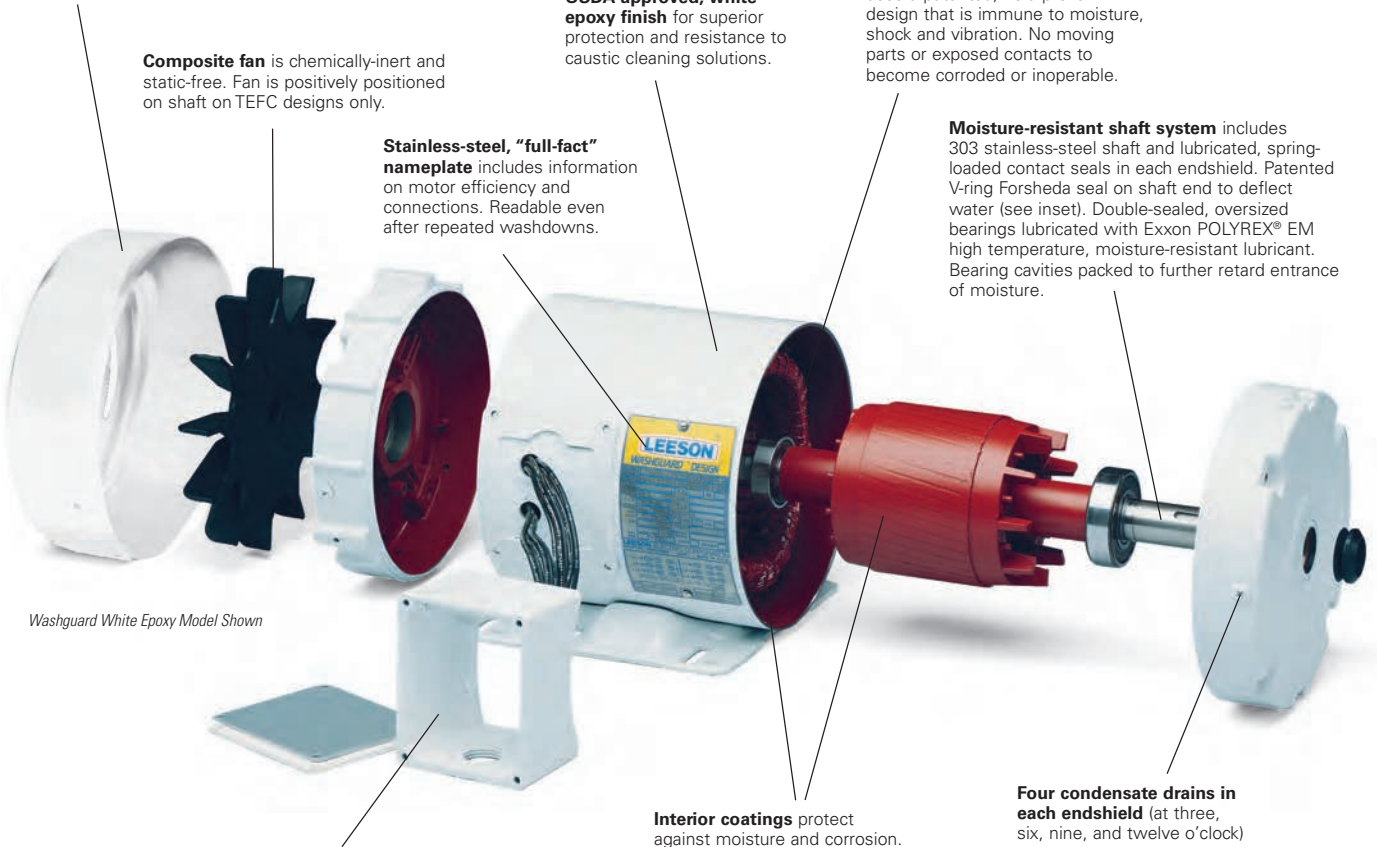
Composite fan is chemically-inert and static-free. Fan is positively positioned on shaft on TEFC designs only.

USDA-approved, white epoxy finish for superior protection and resistance to caustic cleaning solutions.

Encapsulated starting switch (single-phase Washguard motors) uses a patented, field-proven design that is immune to moisture, shock and vibration. No moving parts or exposed contacts to become corroded or inoperable.

Stainless-steel, "full-fact" nameplate includes information on motor efficiency and connections. Readable even after repeated washdowns.

Moisture-resistant shaft system includes 303 stainless-steel shaft and lubricated, spring-loaded contact seals in each endshield. Patented V-ring Forsheda seal on shaft end to deflect water (see inset). Double-sealed, oversized bearings lubricated with Exxon POLYREX® EM high temperature, moisture-resistant lubricant. Bearing cavities packed to further retard entrance of moisture.

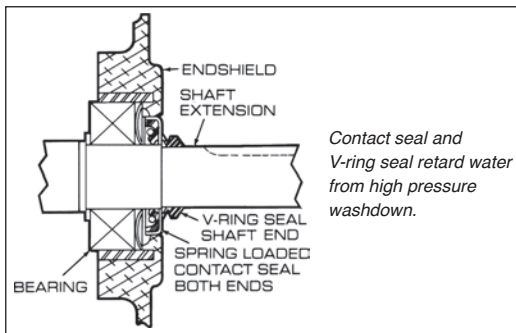


Washguard White Epoxy Model Shown

Cast, oversized conduit box with tough, high-temperature nitrile gaskets and stainless-steel cover and hardware. Oversized design with threaded entrance. All machined fits are sealed and nylon gaskets are used under bolt heads.

Interior coatings protect against moisture and corrosion. Frame, base, endshields, rotor, and interior components are protected by enamel and polyester compounds of outstanding adhesion and resistance to moisture, acids, alkalis, and oils. High temperature, moisture resistant IRIS® insulation system assures long life on inverter service. Windings are immersed and cured in polyester insulating compound.

Four condensate drains in each endshield (at three, six, nine, and twelve o'clock) purge condensate and water which may enter the motor.



* Also excellent for applications requiring a motor that is "tropicalized"!





Washguard® Motors

Single Phase - White Epoxy Painted



Single Phase - TEFC - Rigid Base - Featuring Electronic Solid State Encapsulated Switch

HP	SYN RPM 60 Hz	NEMA Frame	Catalog Number	Stock	List Price	Model Number	App. Wgt. (lbs)	Voltage	F. L. Amps @ 230 V	Service Factor	"C" Dim. (Inches)	♥Notes
1/2	1800	56	112431.00	√	690	C6C17WB1	24	115/208-230	4.4	1.15	10.81	S, US
3/4	1800	56	112432.00	√	812	C6C17WB2	31	115/208-230	5.4	1.15	11.31	S, US
1	1800	56	112626.00	√	930	C6C17WB3	33	115/208-230	6.4	1.15	11.81	S, US
1	1800	143T	120589.00	√	930	N143C17WB1	34	115/208-230	6.4	1.15	12.25	S, US
1 1/2	1800	145T	120590.00	√	1,184	C145C17WB1	47	115/208-230	9.5	1.15	13.75	S, US
2	1800	182T	131571.00	C/A	1,717	C182C17WB3	60	115/208-230	12.6	1.15	13.46	S, MX

C/A - Check Availability

♥ Note listing on inside back flap
Specifications are subject to change without notice

Single Phase - TEFC - C Face With Base - Featuring Electronic Solid State Encapsulated Switch

HP	SYN RPM 60 Hz	NEMA Frame	Catalog Number	Stock	List Price	Model Number	App. Wgt. (lbs)	Voltage	F. L. Amps @ 230 V	Service Factor	"C" Dim. (Inches)	♥Notes
1/3	3600	56C	113580.00	√	681	C6C34WK2	27	115/208-230	2.6	1.15	10.69	S, US
1/3	1800	56C	112526.00	√	690	C6C17WK2	28	115/208-230	3.2	1.15	10.69	S, US
1/2	3600	56C	113581.00	√	690	C6C34WK3	25	115/208-230	3.6	1.15	10.69	S, US
1/2	1800	56C	112527.00	√	715	C6C17WK3	28	115/208-230	4.4	1.15	11.19	S, US
3/4	3600	56C	113582.00	√	700	C6C34WK4	31	115/208-230	5.0	1.15	11.69	S, US
3/4	1800	56C	112528.00	√	811	C6C17WK4	30	115/208-230	5.4	1.15	11.69	S, US
1	3600	56C	113583.00	√	702	C6C34WK6	31	115/208-230	6.0	1.15	12.19	S, US
1	1800	56C	112529.00	√	933	C6C17WK5	33	115/208-230	6.4	1.15	12.19	S, US
1 1/2	3600	56C	113584.00	√	1027	C6C34WK5	36	115/208-230	8.5	1.15	12.69	S, US
1 1/2	1800	56HC	113300.00	√	1,188	C6C17WK6	45	115/208-230	9.5	1.15	13.69	S, US
2	3600	56HC	114637.00	√	1,184	C6C34WK9	43	115/208-230	10.0	1.00	13.69	S, US

♥ Note listing on inside back flap
Specifications are subject to change without notice

Single Phase - TEFC - C Face Less Base - Featuring Electronic Solid State Encapsulated Switch



HP	SYN RPM 60 Hz	NEMA Frame	Catalog Number	Stock	List Price	Model Number	App. Wgt. (lbs)	Voltage	F. L. Amps @ 230 V	Service Factor	"C" Dim. (Inches)	♥Notes
1/3	3600	56C	114310.00	√	677	C6C34WC2	25	115/208-230	2.6	1.15	10.69	S, US
1/3	1800	56C	114311.00	√	687	C6C17WC2	27	115/208-230	3.2	1.15	10.69	S, US
1/2	3600	56C	114312.00	√	687	C6C34WC3	25	115/208-230	3.6	1.15	10.69	S, US
1/2	1800	56C	114313.00	√	705	C6C17WC3	29	115/208-230	4.4	1.15	11.19	S, US
3/4	3600	56C	114314.00	√	690	C6C34WC4	31	115/208-230	5.0	1.15	11.69	S, US
3/4	1800	56C	114315.00	√	815	C6C17WC4	31	115/208-230	5.4	1.15	11.69	S, US
1	3600	56C	114316.00	√	695	C6C34WC5	29	115/208-230	6.0	1.15	12.19	S, US
1	1800	56C	114317.00	√	924	C6C17WC5	34	115/208-230	6.4	1.15	12.19	S, US
1 1/2	3600	56C	114318.00	√	1026	C6C34WC6	36	115/208-230	8.5	1.15	12.69	S, US
1 1/2	1800	56C	114319.00	√	1,184	C6C17WC6	43	115/208-230	9.5	1.15	13.69	S, US

♥ Note listing on inside back flap
Specifications are subject to change without notice



Pump Motors
Washguard Motors
Agricultural Duty Motors
HVAC / Fan Motors
Special Voltage Motors
Definite Purpose Motors
Brake Motors
IEC Motors
DC Motors

Washguard® Motors

White Epoxy Painted - Three Phase



Three Phase - TENV and TEFC C Face Less Base

HP	SYN RPM 60 Hz	NEMA Frame	Catalog Number	Stock	List Price	Model Number	App. Wgt. (lbs)	Voltage	F. L. Amps @ 230 V	% F.L. Eff.	Service Factor	"C" Dim. (Inches)	♥Notes
1/4	1800	56C	113649.00	√	661	C6T17VC5	19	208-230/460	1.1	68.0	1.15	9.56	S, US, 12
1/3	3600	56C	116640.00	√	682	C6T34VC16	19	208-230/460	1.1	77.0	1.15	10.08	S, US, 12
1/3	1800	56C	113954.00	√	702	C6T17VC6	19	208-230/460	1.3	72.0	1.15	9.56	S, US, 12
1/3	1800	56C	116642.00	√	702	C6T17WC23	19	208-230/460	1.7	68.0	1.15	10.69	S, US, 13
1/2	3600	56C	116643.00	√	704	C6T34VC17	22	208-230/460	1.6	82.5	1.15	10.06	S, US, 12
1/2	1800	56C	113473.00	√	723	C6T17VC4	22	208-230/460	1.8	78.5	1.15	10.06	S, US, 12
1/2	1800	56C	116644.00	√	723	C6T17WC24	22	208-230/460	2.0	74.0	1.15	11.19	S, US, 13
3/4	3600	56C	113022.00	√	733	C6T34VC1	23	208-230/460	2.4	84.0	1.15	11.06	S, US, 12
3/4	1800	56C	113019.00	√	838	C6T17VC1	28	208-230/460	2.5	80.0	1.15	10.56	S, US, 12
3/4	1800	56C	116645.00	√	838	C6T17FC204	28	208-230/460	2.8	77.0	1.15	11.69	S, US, 13
1	3600	56C	113023.00	√	854	C6T34VC2	35	208-230/460	2.6	85.5	1.15	11.56	S, US, 12
1	1800	56C	113020.00	D	874	C6T17VC2	32	208-230/460	3.2	80.0	1.15	11.56	S, US, 12
1	1800	56C	119468.00	√	936	C6T17WC380	37	208-230/460	3.2	85.5	1.15	12.87	S, US, 13
1	1800	143TC	122179.00	√	952	C143T17WC130	45	208-230/460	3.2	85.5	1.15	12.93	S, US, 13
1 1/2	3600	56C	113024.00	√	906	C6T34VC3	42	208-230/460	3.8	84.0	1.15	12.56	S, US, 12
1 1/2	1800	56C	119469.00	√	963	C6T17WC51	50	208-230/460	4.8	86.5	1.15	13.37	S, US, 13
1 1/2	1800	145TC	122180.00	√	972	C145T17WC42	53	208-230/460	4.8	86.5	1.15	13.43	S, US, 13
2	3600	56C	119472.00	√	1,139	C6T34WC27	51	208-230/460	4.8	85.5	1.00	13.37	S, US, 13
2	3600	145TC	122183.00	√	1,172	C145T34WC22	50	208-230/460	4.8	85.5	1.15	13.43	S, US, 13
2	1800	56C	114616.00	D	1,063	C6T17WC12	48	208-230/460	6.2	81.5	1.15	12.69	S, US, 13
2	1800	56C	119471.00	√	1,158	C6T17WC383	52	208-230/460	5.8	86.5	1.15	13.87	S, US, 13
2	1800	145TC	122182.00	√	1,204	C145T17WC131	52	208-230/460	5.8	86.5	1.15	13.93	S, US, 13
3	3600	56C	119473.00	√	1,425	C6T34WC28	45	208-230/460	8.0	86.5	1.15	13.62	S, US, 13
3	3600	145TC	122184.00	√	1,451	C145T34WC23	53	208-230/460	8.0	86.5	1.15	13.68	S, US, 13
3	1800	182TC	132439.00	√	1,610	C182T17WC13	85	208-230/460	7.8	89.5	1.15	14.47	S, US, 13
5	3600	184TC	G131595.00	D	1,905	C184T34WC7	75	208-230/460	12.0	87.5	1.15	14.47	S, US, 13
5	3600	184TC	132441.00	√	1,905	C184T34WC10	85	208-230/460	12.0	88.5	1.15	14.97	S, US, 13
5	1800	184TC	132440.00	√	1,857	C184T17WC10	101	208-230/460	12.6	89.5	1.15	15.47	S, US, 13
7 1/2	3600	S213TC	G131594.00	D	2,361	C184T34WC6	102	208-230/460	16.8	88.5	1.00	17.47	S, US, 13
7 1/2	3600	213TC	141267.00	√	2,341	C213T17WC5	130	208-230/460	18.6	89.5	1.00	18.77	S, US, 13
7 1/2	1800	213TC	141266.00	√	2,351	C213T17WC4	152	208-230/460	19.6	91.7	1.15	18.77	S, US, 13
10	3600	215TC	G140737.00	D	2,805	C215T34WC2	170	208-230/460	24.0	89.5	1.15	20.57	S, US, 13
10	3600	215TC	141269.00	√	2,830	C215T34WC5	170	208-230/460	23.6	90.2	1.15	20.27	S, US, 13
10	1800	215TC	141268.00	√	2,814	C215T17WC4	180	208-230/460	26.4	91.7	1.15	20.27	S, US, 13
15	3600	215TC	G140738.00	D	3,452	C215T34WC4	140	208-230/460	36.0	90.2	1.15	20.57	S, US, 13
15	3600	215TC	141357.00	√	3,495	C215T34WC8	140	208-230/460	35.0	91.0	1.15	20.58	S, US, 13

Green items are Premium Efficient

D - Item to be discontinued once inventory is depleted

Note 12 - TENV

Note 13 - TEFC

♥ Note listing on inside back flap
Specifications are subject to change without notice





Three Phase - TEFC - Rigid Base

HP	SYN RPM 60 Hz	NEMA Frame	Catalog Number	Stock	List Price	Model Number	App. Wgt. (lbs)	Voltage	F. L. Amps @ 230 V	% FL. Eff.	Service Factor	"C" Dim. (Inches)	♥Notes
1/2	1800	56	112427.00	√	711	C6T17WB6	24	208-230/460	2.0	74.0	1.15	10.81	S, US
3/4	1800	56	112428.00	√	742	C6T17WB7	27	208-230/460	2.8	77.0	1.15	10.81	S, US
1	1800	56	119475.00	√	960	C6T17WB18	31	208-230/460	3.2	85.5	1.15	12.25	S, US
1	1800	143T	121865.00	√	981	C143T17WB4	35	208-230/460	3.1	85.5	1.15	12.75	S, US
1 1/2	1800	145T	121869.00	√	983	C145T17WB23	51	208-230/460	4.4	86.5	1.15	12.75	S, US
2	1800	145T	121866.00	√	1,222	C145T17WB22	46	208-230/460	5.6	86.5	1.15	13.75	S, US
3	3600	182T	132388.00	C/A	1,673	C182T34WB1	69	208-230/460	7.6	86.5	1.25	13.96	S, MX
3	1800	182T	132196.00	√	1,641	C182T17WB10	69	208-230/460	8.2	89.5	1.15	13.96	S, MX
5	3600	184T	132202.00	√	1,877	C184T34WB5	75	208-230/460	12.0	88.5	1.25	14.46	S, MX
5	1800	184T	132197.00	√	1,877	C184T17WB8	85	208-230/460	13.0	89.5	1.15	14.96	S, MX
7 1/2	3600	184T	132306.00	C/A	2,341	C184T34WB6	87	208-230/460	16.8	89.5	1.15	15.96	S, MX
7 1/2	3600	S213T	132204.00	C/A	2,341	C184T34WB6	87	208-230/460	16.8	89.5	1.15	16.59	S, MX
7 1/2	1800	213T	140819.00	√	2,382	C213T17WB6	131	208-230/460	20.4	91.7	1.25	17.21	S, MX
10	1800	215T	140820.00	√	2,849	C215T17WB5	165	208-230/460	26.0	91.7	1.25	18.71	S, MX

Green items are Premium Efficient

C/A - Check Availability

♥ Note listing on inside back flap
Specifications are subject to change without notice

Pump Motors

Washguard Motors

Agricultural Duty Motors

HVAC / Fan Motors

Special Voltage Motors

Definite Purpose Motors

Brake Motors

IEC Motors

DC Motors

Washguard® Motors

White Epoxy Painted - Three Phase



Three Phase - TENV and TEFC C Face With Base

HP	SYN RPM 60 Hz	NEMA Frame	Catalog Number	Stock	List Price	Model Number	App. Wgt. (lbs)	Voltage	F. L. Amps @ 230 V	% FL. Eff.	Service Factor	"C" Dim. (Inches)	♥Notes
1/4	1800	56C	112523.00	√	665	C6T17WK8	21	208-230/460	1.1	67.0	1.15	10.69	S, US, 13
1/3	3600	56C	116641.00	C/A	704	C6T34VK15	22	208-230/460	1.1	77.0	1.15	10.08	S, US, 12
1/3	1800	56C	112547.00	√	732	C6T17WK9	22	208-230/460	1.7	68.0	1.15	10.69	S, US, 13
1/2	3600	56C	113588.00	√	663	C6T34VK3	26	208-230/460	1.5	82.5	1.15	10.58	S, US, 12
1/2	1800	56C	113586.00	√	742	C6T17VK2	23	208-230/460	1.8	78.5	1.15	10.06	S, US, 12
1/2	1800	56C	112429.00	√	742	C6T17WK1	22	208-230/460	2.0	74.0	1.15	11.19	S, US, 13
1/2	1200	56C	115743.00	√	928	C6T11VK1	24	208-230/460	2.3	77.0	1.15	11.56	S, US, 12
3/4	3600	56C	113589.00	√	728	C6T34VK2	24	208-230/460	2.4	84.0	1.15	11.08	S, US, 12
3/4	1800	56C	113587.00	√	859	C6T17VK1	30	208-230/460	2.5	80.0	1.15	10.56	S, US, 12
3/4	1800	56C	112430.00	√	859	C6T17WK2	26	208-230/460	2.8	77.0	1.15	11.19	S, US, 13
3/4	1200	56HC	115744.00	√	1,009	C6T11VK2	25	208-230/460	3.0	78.5	1.15	13.06	S, US, 12
1	3600	56C	113590.00	√	852	C6T34VK4	34	208-230/460	2.6	85.5	1.15	11.58	S, US, 12
1	1800	56H	119476.00	√	993	C6T17WK44	35	208-230/460	3.2	85.5	1.15	12.87	S, US, 13
1	1800	143TC	121867.00	√	1,031	C143T17WK11	37	208-230/460	3.2	85.5	1.15	13.25	S, US, 13
1	1200	56HC	119478.00	√	1,241	C6T11WK11	45	208-230/460	3.8	82.5	1.15	13.37	S, US, 13
1 1/2	3600	56C	113591.00	√	939	C6T34VK5	44	208-230/460	3.8	84.0	1.15	12.56	S, US, 12
1 1/2	1800	145TC	121871.00	√	1,074	C145T17WK31	53	208-230/460	4.8	86.5	1.15	13.25	S, US, 13
1 1/2	1800	56C	119480.00	√	1,142	C6T17WK45	45	208-230/460	4.8	86.5	1.15	13.37	S, US, 13
1 1/2	1200	56HC	132563.00	√	1,585	C182T11WK1	89	208-230/460	5.6	87.5	1.15	15.96	S, US, 13
2	3600	56HC	113592.00	D	1,044	C6T34VK6	48	208-230/460	5.0	84.0	1.15	13.06	S, US, 12
2	3600	56HC	119482.00	√	1,230	C6T34WK33	51	208-230/460	4.8	85.5	1.15	13.37	S, US, 13
2	3600	145TC	122185.00	√	1,240	C145T34WK37	49	208-230/460	4.8	85.5	1.15	13.43	S, US, 13
2	1800	56C	119483.00	√	1,248	C6T17WK46	47	208-230/460	5.8	86.5	1.15	13.87	S, US, 13
2	1800	145TC	121868.00	√	1,328	C145T17WK30	49	208-230/460	5.8	86.5	1.15	13.75	S, US, 13
3	3600	145TC	121870.00	√	1,569	C145T34WK28	46	208-230/460	7.6	89.5	1.15	13.75	S, US, 13
3	3600	182TC	132199.00	√	1,804	C182T34WK1	80	208-230/460	7.6	86.5	1.25	14.97	S, MX, 13
3	1800	182TC	132198.00	√	1,779	C182T17WK13	80	208-230/460	7.8	89.5	1.15	14.47	S, MX, 13
5	3600	184TC	132200.00	√	2,229	C184T34WK10	79	208-230/460	12.0	88.5	1.15	14.47	S, MX, 13
5	1800	184TC	132201.00	√	2,009	C184T17WK15	84	208-230/460	12.8	89.5	1.15	14.97	S, MX, 13
7 1/2	3600	184TC	132205.00	√	2,763	C184T34WK21	94	208-230/460	17.6	89.5	1.15	15.97	S, MX, 13
7 1/2	3600	213TC	141120.00	√	2,826	C213T34WK6	140	208-230/460	17.8	89.5	1.15	17.47	S, MX, 13
7 1/2	1800	213TC	140822.00	√	2,590	C213T17WK9	135	208-230/460	21.4	91.7	1.25	17.71	S, MX, 13
10	3600	215TC	140823.00	√	3,336	C215T34WK9	129	208-230/460	23.6	90.2	1.15	20.57	S, US, 13
10	1800	215TC	140821.00	√	2,944	C215T17WK9	145	208-230/460	26.6	91.7	1.25	18.71	S, MX, 13

Green items are Premium Efficient

D - Item to be discontinued once inventory is depleted

C/A - Check Availability

Note 12 - TENV

Note 13 - TEFC

♥ Note listing on inside back flap

Specifications are subject to change without notice





Washguard® Motors

White Epoxy Painted - Three Phase

Three Phase - 575 Volts

Three Phase - TEFC - C Face With Base

HP	SYN RPM 60 Hz	NEMA Frame	Catalog Number	Stock	List Price	Model Number	App. Wgt. (lbs)	Voltage	F. L. Amps @ 575 V	% F.L. Eff.	Service Factor	"C" Dim. (Inches)	♥Notes
1/4	1800	56C	112520.00	√	665	C6T17WK5	24	575	0.4	68.0	1.15	10.69	S, US
1/3	1800	56C	112521.00	√	688	C6T17WK6	22	575	0.7	68.0	1.15	10.69	S, US
1/2	1800	56C	112483.00	√	742	C6T17WK3	28	575	0.8	74.0	1.15	10.69	S, US
3/4	1800	56C	112484.00	√	859	C6T17WK4	24	575	1.1	77.0	1.15	11.19	S, US
1	1800	56C	119479.00	√	993	C6T17WK381	35	575	1.3	85.5	1.15	12.62	S, US
2	1800	145TC	122330.00	√	1,328	C145T17WK60	49	575	5.8	86.5	1.15	13.75	S, US

Green items are Premium Efficient

♥ Note listing on inside back flap
Specifications are subject to change without notice



Washdown Duty Pump Motors - White Epoxy Painted

Three Phase - TEFC - JM Pump

HP	SYN RPM 60 Hz	NEMA Frame	Catalog Number	Stock	List Price	Model Number	App. Wgt. (lbs)	Voltage	F. L. Amps @ 230 V	% F.L. Eff.	Service Factor	"C" Dim. (Inches)	♥Notes
1	1800	143JM	122186.00	C/A	1,276	C143T17WK15	47	208-230/460	3.2	85.5	1.15	15.43	S, US
1 1/2	3600	143JM	122188.00	C/A	1,378	C143T34WK10	35	208-230/460	4.0	84.0	1.15	15.43	S, US
1 1/2	1800	145JM	122187.00	√	1,418	C145T17WK57	39	208-230/460	4.8	86.5	1.15	15.93	S, US
2	3600	145JM	122189.00	√	1,561	C145T34WK38	51	208-230/460	4.8	85.5	1.15	15.93	S, US
2	1800	145JM	122190.00	√	1,477	C145T17WK58	52	208-230/460	5.8	86.5	1.15	16.43	S, US
3	3600	145JM	122191.00	√	1,691	C145T34WK39	56	208-230/460	8.0	86.5	1.15	16.43	S, US
3	1800	182JM	G131967.00	D	1,739	C182T17WK15	79	208-230/460	8.2	87.5	1.15	16.13	S, MX
3	1800	182JM	132442.00	√	1,879	C182T17WK20	82	208-230/460	7.8	89.5	1.15	16.13	S, MX
5	3600	184JM	132443.00	√	2,198	C184T34WK18	86	208-230/460	12.0	88.5	1.15	16.63	S, MX
5	1800	184JM	132444.00	√	2,010	C184T17WK24	100	208-230/460	12.6	89.5	1.15	16.63	S, MX
7 1/2	3600	184JM	132446.00	√	2,421	C184T34WK19	116	208-230/460	17.6	90.1	1.15	17.63	S, MX
7 1/2	1800	213JM	141270.00	√	2,707	C213T17WK17	141	208-230/460	19.6	91.7	1.15	21.40	S, MX
10	3600	215JM	141271.00	√	3,270	C215T34WK15	148	208-230/460	23.6	90.2	1.15	21.40	S, MX
10	1800	215JM	141272.00	√	3,099	C215T17WK18	159	208-230/460	26.4	91.7	1.15	22.90	S, MX
15	3600	215JM	141358.00	√	3,595	C215T34WK19	159	208-230/460	35.0	91.0	1.15	21.71	S, MX

Green items are Premium Efficient

♥ Note listing on inside back flap
Specifications are subject to change without notice

D - Item to be discontinued once inventory is depleted
C/A - Check Availability



Pump Motors

Washguard Motors

Agricultural Duty Motors

HVAC / Fan Motors

Special Voltage Motors

Definite Purpose Motors

Brake Motors

IEC Motors

DC Motors

Washguard® Jet Pump Motors



Pump Motors

Washguard Motors

Agricultural Duty Motors

HVAC / Fan Motors

Special Voltage Motors

Definite Purpose Motors

Brake Motors

IEC Motors

DC Motors

Washdown duty three phase jet pump motors for industrial service. These motors include all of the features of LEESON's White Duck Washguard motors with the addition of a 56J threaded shaft for use on jet pumps. For demanding pump applications in wet, humid, or washdown environments.

Three Phase - TEFC - C Face Less Base - Threaded Shaft

HP	SYN RPM 60 Hz	NEMA Frame	Catalog Number	Stock	List Price	Model Number	App. Wgt. (lbs)	Voltage	F. L. Amps @ 230 V	% FL. Eff.	Service Factor	"C" Dim. (Inches)	♥Notes
3/4	3600	56J	116774.00	√	735	C6T34WC14	23	208-230/460	2.4	75.5	1.15	10.81	S, US
1	3600	56J	116775.00	√	854	C6T34WC15	35	208-230/460	3.2	77.0	1.15	10.81	S, US
1 1/2	3600	56J	119459.00	√	983	C6T34WC24	44	208-230/460	4.0	84.0	1.15	12.87	S, US
2	3600	56J	119460.00	√	1,222	C6T34WC25	50	208-230/460	4.8	85.5	1.15	13.87	S, US
3	3600	56J	119462.00	√	1,252	C6T34WC26	55	208-230/460	8.0	86.5	1.15	14.37	S, US

Green items are Premium Efficient

♥ Note listing on inside back flap
Specifications are subject to change without notice

Three Phase - TEFC - C Face With Base - Threaded Shaft

HP	SYN RPM 60 Hz	NEMA Frame	Catalog Number	Stock	List Price	Model Number	App. Wgt. (lbs)	Voltage	F. L. Amps @ 230 V	% FL. Eff.	Service Factor	"C" Dim. (Inches)	♥Notes
3/4	3600	56J	116779.00	√	754	C6T34WK12	24	208-230/460	2.4	75.5	1.15	10.81	S, US
1	3600	56J	116780.00	√	876	C6T34WK13	36	208-230/460	3.2	77.0	1.15	10.81	S, US
1 1/2	3600	56J	119458.00	√	1,003	C6T34WK30	45	208-230/460	4.0	84.0	1.15	12.87	S, US
2	3600	56J	119461.00	√	1,240	C6T34WK31	51	208-230/460	4.8	85.5	1.15	13.87	S, US
3	3600	56J	119463.00	√	1,269	C6T34WK32	56	208-230/460	8.0	86.5	1.15	14.37	S, US

Green items are Premium Efficient

♥ Note listing on inside back flap
Specifications are subject to change without notice





Washguard® Motors Washdown Duty Brakemotors White Epoxy Painted

Pump
Motors

Washguard
Motors

Agricultural
Duty Motors

HVAC / Fan
Motors

Special Voltage
Motors

Definite
Purpose Motors

Brake Motors

IEC Motors

DC Motors

Washguard Brakemotors - TENV/TEFC - C Face With Base

HP	SYN RPM 60 Hz	NEMA Frame	Brake Rating (ft lbs)	Catalog Number	Stock	List Price	Model Number	App. Wgt. (lbs)	Voltage	F. L. Amps @ 230 V	% F.L. Eff.	Service Factor	"C" Dim. (Inches)	♥Notes
1/3	1800	56C	3	116466.00	C/A	1,459	C6T17VK28	40	208-230/460	1.3	72.0	1.15	14.00	S, US, 12
1/2	1800	56C	3	116467.00	√	1,488	C6T17VK30	42	208-230/460	1.8	78.5	1.15	14.50	S, US, 12
3/4	1800	56C	6	116468.00	√	1,765	C6T17VK29	44	208-230/460	2.5	80.0	1.15	15.00	S, US, 12
1	1800	56C	6	116469.00	D	1,824	C6T17VK27	48	208-230/460	3.2	80.0	1.15	15.50	S, US, 12
1	1800	56HC	6	119486.00	√	1,915	C6T17WK47	53	208-230/460	3.2	85.5	1.15	17.50	S, US, 13
1	1800	143TC	6	121616.00	D	1,824	C143T17VK7	49	208-230/460	3.2	80.0	1.15	16.06	S, US, 12
1	1800	143TC	6	122193.00	√	1,933	C143T17WK14	53	208-230/460	3.2	85.5	1.15	17.50	S, US, 13
1 1/2	1800	145TC	10	G121617.00	D	2,528	C145T17WK22	50	208-230/460	4.4	84.0	1.15	19.01	S, US, 13
1 1/2	1800	145TC	10	122195.00	√	2,636	C145T17WK55	55	208-230/460	4.8	86.5	1.15	18.50	S, US, 13
2	1800	145TC	10	G121618.00	D	2,622	C145T17WK21	62	208-230/460	5.6	84.0	1.15	19.01	S, US, 13
2	1800	145TC	10	122197.00	C/A	2,716	C145T17WK56	67	208-230/460	5.8	86.5	1.15	19.00	S, US, 13

Green items are Premium Efficient

D - Item to be discontinued once inventory is depleted

C/A - Check Availability

Note 12 - TENV

Note 13 - TEFC

♥ Note listing on inside back flap
Specifications are subject to change without notice

Washguard Brakemotors - TENV/TEFC - C Face Less Base

HP	SYN RPM 60 Hz	NEMA Frame	Brake Rating (ft lbs)	Catalog Number	Stock	List Price	Model Number	App. Wgt. (lbs)	Voltage	F. L. Amps @ 230 V	% F.L. Eff.	Service Factor	"C" Dim. (Inches)	♥Notes
1/3	1800	56C	3	116462.00	√	1,408	C6T17VC43	39	208-230/460	1.3	72.0	1.15	14.00	S, US, 12
1/2	1800	56C	3	116463.00	√	1,443	C6T17VC42	41	208-230/460	1.8	78.5	1.15	14.50	S, US, 12
3/4	1800	56C	6	116464.00	√	1,717	C6T17VC44	43	208-230/460	2.5	80.0	1.15	15.00	S, US, 12
1	1800	56C	6	119485.00	√	1,893	C6T17WC54	50	208-230/460	3.2	85.5	1.15	15.50	S, US, 13
1	1800	143TC	6	122192.00	√	1,906	C143T17VC9	52	208-230/460	3.2	85.5	1.15	17.50	S, US, 13
1 1/2	1800	145TC	10	121614.00	D	2,464	C145T17WC20	49	208-230/460	5.0	78.5	1.15	18.01	S, US, 13
1 1/2	1800	145TC	10	122194.00	√	2,603	C145T17WC44	55	208-230/460	4.8	86.5	1.15	18.50	S, US, 13
2	1800	145TC	10	122196.00	√	2,670	C145T17WC45	65	208-230/460	5.8	86.5	1.15	19.00	S, US, 13

Green items are Premium Efficient

D - Item to be discontinued once inventory is depleted

Note 12 - TENV

Note 13 - TEFC

♥ Note listing on inside back flap
Specifications are subject to change without notice

Washguard® Motors

Washdown Duty Brakemotors

White Epoxy Painted

Washguard Coupler Brakes

Larger coupler brakes on page 297.

Solid die-cast aluminum Stearns NEMA® 4X coupler brake converts any TEFC or TENV 56C thru 145TC motor to a fail-safe brakemotor by mounting between the C-face motor and driven equipment. Food safe white epoxy finish. BISSC Certified. Adds 5" to the overall length of 56C thru 145TC WASHGUARD TEFC or TENV motors. Includes all mounting components.



For Both Single and Three Phase Motors

Catalog Number	List Price	Catalog Number	List Price	Catalog Number	List Price	Brake Rating (ft lbs)	Max HP @ 1725 RPM	Mounts to NEMA Frame	Coupler Brake Output Shaft and Face	App. Wgt. (lbs)
175566.00	1,289	175567.00	1,289	175568.00	1,289	3	1	56C	58", 56C	13.0
175572.00	1,387	175573.00	1,387	175574.00	1,387	6	2	56C/143-5TC	58", 56C	14.0

♥ Note listing on inside back flap
Specifications are subject to change without notice

Washguard Brakekits

Kit of components including a Stearns NEMA 4X brake to convert 56 thru 145T frame stock TEFC only motors to fail-safe brakemotors. Food safe white epoxy finish. BISSC Certified. Adds 5 1/8" to the overall length of 56 thru 145T WASHGUARD TEFC motors.

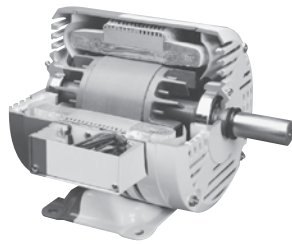


For 230/460V Three Phase and 230V Single Phase Motors

Brake Rating (ft lbs)	Mounts to NEMA Frame	Max. HP @ 1725rpm	Cat. No. 230/460 V Brake Coil Voltage	List Price	(lbs)
3	56/143-5T	1	175771.00*	1,433	24
6	56/143-5T	2	175772.00*	1,511	36
10	56/143-5T	3	175773.00*	1,592	43

♥ Note listing on inside back flap
Specifications are subject to change without notice

*For 56/145 frame motors having a "B" for the suffix letter for the date code and having a face mount fan guard.



Washdown Duty Motors

Lincoln Wash-Thru Motors

230/460 Volts - Three Phase - Foot Mount & C Face

Pump Motors

Washguard Motors

Agricultural Duty Motors

HVAC / Fan Motors

Special Voltage Motors

Definite Purpose Motors

Brake Motors

IEC Motors

DC Motors

Applications:

Exceptional choice for demanding uses in poultry, seafood, meat and other food processing plants. Other applications include areas where a high degree of dust, moisture, and vibration exist.

Features:

- Pressure encapsulation technology - winding endcoils totally encapsulated
- 303 Stainless shaft
- Double sealed bearings
- FDA approved white finish coat
- Stainless laser etched nameplate

Three Phase - Drip-Proof - Rigid Base - Encapsulated

HP	SYN RPM 60 Hz	NEMA Frame	▼ Catalog Number	Stock	List Price	Model Number	App. Wgt. (lbs)	Voltage	F. L. Amps @ 230 V	% FL. Eff.	Service Factor	"C" Dim. (Inches)	♥Notes
1/2	1800	56	LM20655	C/A	1,110	SREW4S0.5T61	26	208-230/460	—	68.0	1.0	10.44	S, US
3/4	1800	56	LM20658	C/A	1,151	SREW4S0.75T61	24	208-230/460	3.0	75.5	1.0	10.44	S, US
1	3600	56	LM21037	C/A	1,187	SREW2S1T61	30	208-230/460	3.2	78.5	1.0	11.44	S, US
1	1800	56	LM21061	C/A	1,206	SREW4S1T61	30	208-230/460	3.2	77.0	1.0	10.44	S, US
1 1/2	3600	56	LM21040	C/A	1,267	SREW2S1.5T61	30	208-230/460	—	78.5	1.0	—	S, US
1 1/2	3600	143T	LM34416	C/A	1,358	SSEW2B1.5T61	—	208-230/460	—	84.0	1.0	—	S, US
1 1/2	1800	56H	LM21062	C/A	1,256	SREW4S1.5T61	30	208-230/460	4.8	80.0	1.0	10.94	S, US
1 1/2	1800	145T	LM34417	C/A	1,294	SSEW4B1.5T61	40	208-230/460	4.4	86.5	1.0	12.99	S, US
2	3600	145T	LM34418	C/A	1,513	SSEW2B2T61	—	208-230/460	—	85.5	1.0	—	S, US
2	1800	56H	LM21063	C/A	1,540	SREW4S2T61	34	208-230/460	6.2	81.5	1.0	10.94	S, US
2	1800	145T	LM34419	C/A	1,549	SSEW4B2T61	40	208-230/460	6.0	86.5	1.0	13.49	S, US
3	3600	182T	LM34420	√	1,807	SSEW2B3T61	—	208-230/460	—	85.5	1.0	—	S, US
3	1800	182T	LM20676	√	1,962	SSEW4B3T61	64	208-230/460	7.8	89.5	1.0	14.22	S, US
5	3600	184T	LM34431	C/A	2,556	SSEW2B5T61	—	208-230/460	—	86.5	1.0	—	S, US
5	1800	184T	LM34422	C/A	2,299	SSEW4B5T61	77	208-230/460	12.6	89.5	1.0	16.22	S, US
7 1/2	3600	213T	LM34423	C/A	3,183	SSEW2B7.5T61	—	208-230/460	—	88.5	1.0	—	S, US
7 1/2	1800	213T	LM34424	√	2,926	SSEW4B7.5T61	116	208-230/460	20.0	91.0	1.0	17.30	S, US
10	3600	215T	LM34425	C/A	3,796	SSEW2B10T61	132	208-230/460	24.2	89.5	1.0	17.30	S, US
10	1800	215T	LM34426	C/A	3,343	SSEW4B10T61	132	208-230/460	26.2	91.7	1.0	17.30	S, US

Green items are Premium Efficient

▼ LM Numbers are Lincoln Models
C/A - Check Availability

♥ Note listing on inside back flap
Specifications are subject to change without notice



Washdown Duty Motors

Lincoln Wash-Thru Motors

Three Phase - Drip-Proof - C Face Less Base

HP	SYN RPM 60 Hz	NEMA Frame	▼ Catalog Number	Stock	List Price	Model Number	App. Wgt. (lbs)	Voltage	F. L. Amps @ 230 V	% FL. Eff.	Service Factor	"C" Dim. (Inches)	♥Notes
1/2	3600	56C	LM21033	C/A	1,086	SREW2S0.5TCN61	35	208-230/460	—	70.0	1.0	—	S, US
1/2	1800	56C	LM20657	√	1,168	SREW4S0.5TCN61	35	208-230/460	2.4	74.0	1.0	10.43	S, US
3/4	3600	56C	LM21036	C/A	1,149	SREW2S0.75TCN61	35	208-230/460	—	74.0	1.0	—	S, US
3/4	1800	56C	LM20660	√	1,207	SREW4S0.75TCN61	35	208-230/460	3.0	77.0	1.0	10.43	S, US
1	3600	56C	LM21039	C/A	1,244	SREW2S1TCN61	35	208-230/460	3.2	75.5	1.0	10.43	S, US
1	1800	56C	LM20662	C/A	1,259	SREW4S1TCN61	35	208-230/460	3.6	78.5	1.0	10.93	S, US
1	1800	143TC	LM34427	C/A	1,322	SSEW4B1TCN61	—	208-230/460	3.0	85.5	1.0	—	S, US
1 1/2	3600	56C	LM21042	C/A	1,324	SREW2S1.5TCN61	35	208-230/460	—	78.5	1.0	—	S, US
1 1/2	3600	143TC	LM34428	C/A	1,440	SSEW2B1.5TCN61	—	208-230/460	—	84.0	1.0	—	S, US
1 1/2	1800	56HC	LM20664	C/A	1,316	SREW4S1.5TCN61	35	208-230/460	4.8	80.0	1.0	10.93	S, US
1 1/2	1800	145TC	LM34429	C/A	1,382	SSSEW4B1.5TCN61	—	208-230/460	—	86.5	1.0	—	S, US
2	3600	56HC	LM21045	C/A	1,466	SREW2S2TCN61	40	208-230/460	6.6	78.5	1.0	10.93	S, US
2	3600	145TC	LM34430	C/A	1,599	SSEW2B2TCN61	—	208-230/460	—	85.5	1.0	—	S, US
2	1800	56HC	LM20666	C/A	1,596	SREW4S2TCN61	40	208-230/460	6.2	81.5	1.0	11.93	S, US
2	1800	145TC	LM20675	D	1,559	SSEW4S2TCN61	40	208-230/460	6.2	81.5	1.0	11.99	S, US
2	1800	145TC	LM34421	√	1,637	SSEW4B2TCN61	40	208-230/460	6.2	86.5	1.0	11.99	S, US

Green items are Premium Efficient

▼ LM Numbers are Lincoln Models

D - Item to be discontinued once inventory is depleted

C/A - Check Availability

♥ Note listing on inside back flap
Specifications are subject to change without notice

Pump Motors

Washguard Motors

Agricultural Duty Motors

HVAC / Fan Motors

Special Voltage Motors

Definite Purpose Motors

Brake Motors

IEC Motors

DC Motors





Washguard® Motors DC Washdown Duty Motors White Epoxy Painted

DC - SCR Rated 90 & 180 Volts - IP55 - C Face with Removable Base

HP	SYN RPM 60 Hz	NEMA Frame	Catalog Number	Stock	List Price	Model Number	App. Wgt. (lbs)	Arm. Volts DC	Control Volts AC Input	FL. Amps DC	"C" Dim. (Inches)	♥Notes
1/4	1750	S56C	108423.00	√	854	C4D17VK9C	23	90	115	2.7	10.69	S, US, 12
1/4	1750	SS56C	098375.00	C/A	854	C42D17VK1	21	180	230	1.4	10.22	S, US, 12
1/3	1750	S56C	108424.00	√	903	C4D17VK10	26	90	115	3.5	11.69	S, US, 12
1/3	1750	SS56C	098376.00	C/A	903	C42D17VK2	22	180	230	1.7	10.22	S, US, 12
1/2	1750	S56C	108226.00	√	1013	C4D17VK1	38	90	115	4.9	13.69	S, US, 12
1/2	1750	S56C	108227.00	√	1013	C4D17VK2	43	180	230	2.4	13.69	S, US, 12
3/4	1750	S56C	108228.00	√	1,229	C4D17VK3	53	90	115	7.0	15.69	S, US, 12
3/4	1750	S56C	108229.00	√	1,229	C4D17VK4	50	180	230	3.5	15.69	S, US, 12
1	1750	S56C	108230.00	√	1,497	C4D17WK1	45	90	115	10.0	15.81	S, US, 13
1	1750	S56C	108231.00	√	1,497	C4D17WK2	42	180	230	5.0	14.81	S, US, 13
1 1/2	1750	S56C	108232.00	√	1,913	C4D17WK3	50	180	230	7.6	15.81	S, US, 13

C/A - Check Availability
Note 12 - TENV
Note 13 - TEFC

♥ Note listing on inside back flap
Specifications are subject to change without notice

Washguard - DC - IEC Frame

180 Volts - TENV IP55 - B5 Flange With Removable B3 Base

HP/ kW	Full Load RPM	NEMA Frame	Catalog Number	Stock	List Price	Model Number	App. Wgt. (lbs)	Arm. Volts DC	Control Volts AC Input	FL. Amps DC	"C" Dim. (Inches)	♥Notes
1/2 - .37	1750	71	098040.00	C/A	895	42D17VD1	22	180	230	2.5	10.69	S, US
3/4 - .55	1750	80	108407.00	D	1,213	4D17VD1	52	180	230	3.5	16.02	S, US

D - Item to be discontinued once inventory is depleted
C/A - Check Availability

♥ Note listing on inside back flap
Specifications are subject to change without notice

If base is removed, do not reinstall bolts without using washers to compensate for the thickness of base. These WASHGUARD motors are modular design but stocked with B5 flange and B3 foot. The foot is removable. The B5 flange can be replaced with a B14 face or other diameter B5 flanges. All Washdown Duty Motors Have Class F Insulation.

Washguard® Motors

SUB-FHP IP55 Washguard Motors

White Epoxy Painted



General Specifications:

Precision subfractional horsepower DC permanent magnet motors. Designed for use with fullwave nonfiltered SCR controls or battery supplied low voltage for adjustable speed applications requiring constant torque throughout the speed range.

Features:

- 303 Stainless steel shaft resists corrosion
- Lubricated spring loaded contact seals prevent moisture from entering the motor
- Double sealed, oversize bearings with high temp lubricant
- Exterior and interior components protected against moisture, acids, alkalis and oil
- Cast conduit box for superior sealing includes:
 - Threaded conduit entrance
 - Drain holes
 - Nitrile gaskets
 - 304 stainless steel conduit box cover
 - Stainless steel hardware
- USDA Approved white epoxy finish
- Nylon seals at bolt heads for superior sealing
- O ring sealed brush covers



90 Volts DC - TENV - Square Flange Less Feet

HP	Full Load RPM	NEMA Frame	Catalog Number	Stock	List Price	Model Number	App. Wgt. (lbs)	Arm. Volts DC	Control Volts AC Input	FL. Amps DC	"C" Dim. (Inches)	♥Notes
1/8	1800	31S	M1120181.00	√	531	M31D17VZ1	11	90	115	1.5	8.57	S, US
1/6	1800	31S	M1120183.00	√	538	M31D17VZ3	11	90	115	1.9	10.07	S, US
1/4	3600	32	M1120185.00	√	586	M32D25VC1	13	90	115	1.9	10.00	S, US

♥ Note listing on inside back flap
Specifications are subject to change without notice



Low Voltage - 12 Volt - TENV - Square Flange or C Face

HP	Full Load RPM	NEMA Frame	Catalog Number	Stock	List Price	Model Number	App. Wgt. (lbs)	Arm. Volts DC	FL. Amps DC	"C" Dim. (Inches)	♥Notes
1/8	1800	31S	M1120182.00	√	553	M31D17VZ2	7	12	10.5	8.1	S, US
1/6	1800	31S	M1120184.00	√	560	M31D17VZ4	11	12	14.5	9.6	S, US
1/4	3600	32	M1120186.00	√	608	M32D25VC2	13	12	20.0	9.5	S, US

♥ Note listing on inside back flap
Specifications are subject to change without notice



Washguard® Motors

Chemical Resistance Comparison

Chemical Name	% Concentration	Exposure	White Epoxy	Stainless Steel
Fresh Water	100	Continuous	Excellent	Excellent
Salt Water	5	Continuous	Excellent	Excellent
Salt Brine	Dilute	Continuous	Fair	Good
Ammonium Hydroxide	Dilute	Continuous	Good	Excellent
Calcium Hydroxide (Lime)	100	Intermittent	Good	Excellent
Citric Acid	10	Continuous	Good	Excellent
Ethylene Glycol	100	Continuous	Excellent	Excellent
Hydrochloric Acid	37	Intermittent	Good	Poor
Lactic Acid	Dilute	Intermittent	Excellent	Excellent
Lactic Acid	100	Intermittent	Fair	Fair
Mineral Spirits	100	Continuous	Excellent	Excellent
Potassium Hydroxide	50	Intermittent	Fair	Fair
Sodium Hydroxide	5	Continuous	Fair	Excellent
Sodium Hydroxide	20	Continuous	Fair	Excellent
Sodium Hydroxide	50	Continuous	Excellent	Excellent
Sodium Hypochlorite (Bleach)	15	Intermittent	Excellent	Excellent
Sulfuric Acid	10	Intermittent	Fair	Fair
Toluene	100	Continuous	Fair	Fair
Animal Fats	NA	Continuous	Excellent	Excellent
Mineral Oils	NA	Continuous	Excellent	Excellent
Vegetable Oils	NA	Continuous	Excellent	Excellent
Cutting Oils	NA	Continuous	Excellent	Excellent
Detergents	NA	Continuous	Excellent	Excellent
Gasoline	NA	Continuous	Fair	Fair
Hydraulic Fluid	NA	Continuous	Excellent	Excellent
Lubricating Oils	NA	Continuous	Excellent	Excellent
General Weathering	NA	Continuous	Fair	Excellent
Mold/Mildew	NA	Continuous	Excellent	Excellent
Light Abrasion	NA	Continuous	Excellent	Excellent
Heavy Abrasion	NA	Continuous	Fair	Excellent

Pump Motors

Washguard Motors

Agricultural Duty Motors

HVAC / Fan Motors

Special Voltage Motors

Definite Purpose Motors

Brake Motors

IEC Motors

DC Motors



Washguard® Motors

IP55 Washguard Gearmotors - Parallel Shaft White Epoxy Painted



General Specifications - SCR rated Gearmotors:

- Performance matched for continuous duty service over 60:1 speed range
- Constant torque throughout the range when powered by a full-wave unfiltered SCR-type adjustable speed control having a typical form factor of 1.3 to 1.4

General Specifications - Low voltage Gearmotors:

- Performance matched for continuous duty service
- Designed for battery power or can be used with a low voltage controller with form factor up to 1.05

Features:

- Gearbox output shafts are coated with Microlon 3300 fortified teflon for superior corrosion resistance
- Frame, endshields, armature and interior components protected by enamel and polyester compounds for resistance to moisture, acids, alkalies and oil
- Precision machined in-line steel gears
- First stage steel helical gear followed by spur-type gears
- Lubrication is permanent semi-fluid grease, reducing possibility of leakage
- Output shafts have needle bearings for high load capacities
- Gearbox shafts are hardened steel
- Cast conduit box with threaded conduit holes and Nitrile gaskets keep water out
- Conduit box cover is made from 304 stainless steel
- For any condensation that may accumulate inside the motor, a one-way stainless steel vapor vent is provided
- All hardware is stainless steel
- Painted with white epoxy for superior corrosion resistance and protection
- Machined fits between the endbells and motor frame are sealed with gaskets
- Thru-bolt heads and nuts sealed with fiber washers
- O-rings under each threaded brush cover

Application Notes:

- Extended life in wet, high humidity applications
- Design repels water from entering motor
- Internal components protected against rust and corrosion
- These gearmotors are designed for mounting at any angle, but motor below the reducer should be avoided to prevent leakage of lubricant into the motor should the motor shaft seal fail
- Overhung load capacities shown are at center of output shaft
- Motor's stall torque could exceed recommended full load torques. A current limiting device such as an SCR control should be used to prevent damage. This issue is even more critical for low voltage motors, typically no controller is used since motor is connected directly to a battery, so some type of current limit or fusing should be considered.
- USDA approved white epoxy finish
- **Bison/Dayton direct interchange**

Microlon is a trademark of Micro Surface Corporation.
All rights reserved.

Teflon is a trademark of The Chemours Company.

Bison is believed to be the trademark or trade name of
Bison Gear & Engineering Corp.

Dayton is a trademark or trade name of Dayton Electric
Manufacturing. All Rights Reserved.





Washguard® Motors

IP55 Washguard Gearmotors - Parallel Shaft

White Epoxy Painted

P300 Series - SCR RATED - 90V - Parallel Shaft - TENV - 1.0 Service Factor

Output RPM	FL Torque (Lb.In.)	Input HP	Catalog Number	Stock	List Price	Model Number	Gearmotor Type & Frame	Ratio to 1	DC Arm. Volts	Full Load Amps DC	Over-hung Load (Lbs.)
5	353	1/20	M1125261.00	✓	902	CM31D17VZ5	P303-31	336	90	0.8	565
31	220	1/8	M1125262.00	✓	927	CM31D17VZ6	P303-31	58	90	1.6	327
51	130	1/8	M1125263.00	✓	857	CM31D17VZ7	P302-31	35	90	1.6	277
94	77	1/8	M1125264.00	✓	857	CM31D17VZ8	P302-31	19	90	1.6	236
167	43	1/8	M1125265.00	✓	857	CM31D17VZ9	P302-31	11	90	1.6	197

Specifications are subject to change without notice

P	PB	X Inches	XL	XH
3.13	3.8	3.54	10.44	8.94
3.13	3.8	3.54	11.94	10.44
3.13	3.8	3.54	11.94	10.44
3.13	3.8	3.54	11.94	10.44
3.13	3.8	3.54	11.94	10.44

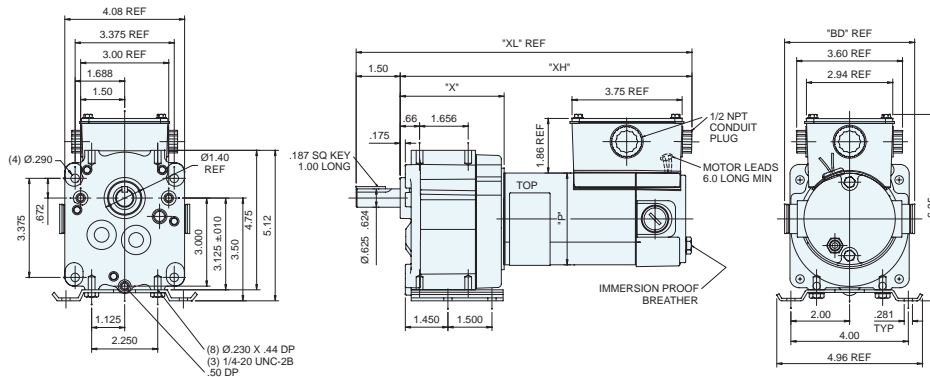
Specifications are subject to change without notice

P300 Series - Low Voltage (12V) - Parallel Shaft - TENV - 1.0 Service Factor

Output RPM	FL Torque (Lb.In.)	Input HP	Catalog Number	Stock	List Price	Model Number	Gearmotor Type & Frame	Ratio to 1	DC Arm. Volts	Full Load Amps DC	Over-hung Load (Lbs.)
5	353	1/20	M1125266.00	✓	927	CM31D17VZ10	P303-31	336	12	6.4	565
31	220	1/8	M1125267.00	✓	950	CM31D17VZ11	P303-31	58	12	11.0	327

Specifications are subject to change without notice

P	PB	X Inches	XL	XH
3.13	3.8	3.54	10.44	8.94
3.13	4.43	3.54	11.94	9.94



Pump Motors

Washguard Motors

Agricultural Duty Motors

HVAC / Fan Motors

Special Voltage Motors

Definite Purpose Motors

Brake Motors

IEC Motors

DC Motors



General Specifications - SCR rated Gearmotors:

- Performance matched for continuous duty service over 60:1 speed range
- Constant torque throughout the range when powered by a full-wave unfiltered SCR-type adjustable speed control having a typical form factor of 1.3 to 1.4

General Specifications - Low voltage Gearmotors:

- Performance matched for continuous duty service
- Designed for battery power or can be used with a low voltage controller with form factor up to 1.05

Features:

- Gearbox output shafts are coated with Microlon 3300 fortified teflon for superior corrosion resistance
- Frame, endshields, armature and interior components protected by enamel and polyester compounds for resistance to moisture, acids, alkalis and oil
- Precision machined in-line steel gears
- First stage steel helical gear followed by spur-type gears
- Lubrication is permanent semi-fluid grease, reducing possibility of leakage
- Output shafts have needle bearings for high load capacities
- Gearbox shafts are hardened steel
- Cast conduit box with threaded conduit holes and nitrile gaskets keep water out
- Conduit box cover is made from 304 stainless steel
- For any condensation that may accumulate inside the motor, a one-way stainless steel vapor vent is provided
- All hardware is stainless steel
- Painted with white epoxy for superior corrosion resistance and protection
- Machined fits between the endbells and motor frame are sealed with gaskets
- Thru-bolt heads and nuts sealed with fiber washers
- O-rings under each threaded brush cover

Application Notes:

- Extended life in wet, high humidity applications
- Design repels water from entering motor
- Internal components protected against rust and corrosion
- These gearmotors are designed for mounting at any angle, but motor below the reducer should be avoided to prevent leakage of lubricant into the motor should the motor shaft seal fail
- Overhung load capacities shown are at center of output shaft
- Motor's stall torque could exceed recommended full load torques. A current limiting device such as an SCR control should be used to prevent damage. This issue is even more critical for low voltage motors, typically no controller is used since motor is connected directly to a battery, so some type of current limit or fusing should be considered.
- USDA approved white epoxy finish
- **Bodine/Baldor direct interchange**

Microlon is a trademark of Micro Surface Corporation.
All rights reserved.

Baldor is a trademark or trade name of ABB ASEA
Brown Boveri. All rights Reserved.

Bodine is a trademark or trade name of Bodine Electric.
All Rights Reserved.





Washguard® Motors

IP55 Washguard Gearmotors - Parallel Shaft

White Epoxy Painted

Pump Motors

Washguard Motors

Agricultural Duty Motors

HVAC / Fan Motors

Special Voltage Motors

Definite Purpose Motors

Brake Motors

IEC Motors

DC Motors

TENV - 1.0 Service Factor - SCR Rated 90V

Output RPM	FL Torque (Lb.In.)	Input HP	Catalog Number	Stock	List Price	Model Number	Gearmotor Type & Frame	Ratio to 1	DC Arm. Volts	Full Load Amps DC	Over-hung Load (Lbs.)
14	341	1/8	M1125268.00	✓	934	M31D25VZ1	P353-31	180	90	1.5	465
42	280	1/4	M1125269.00	✓	967	M32D25VZ1	P353-32	58	90	2.6	327
83	155	1/4	M1125270.00	✓	942	M32D25VZ2	P353-32	29	90	2.6	267
250	45	1/4	M1125271.00	✓	942	M32D25VZ3	P352-32	10	90	2.6	201
500	25	1/4	M1125272.00	✓	942	M32D25VZ4	P352-32	5	90	2.6	194

Specifications are subject to change without notice

P	PB	X Inches	XL	XH
3.13	3.8	3.45	11.84	9.84
3.25	3.8	3.45	13.84	11.84
3.25	3.8	3.45	13.84	11.84
3.25	3.8	3.45	13.84	11.84
3.25	3.8	3.45	13.84	11.84

Specifications are subject to change without notice

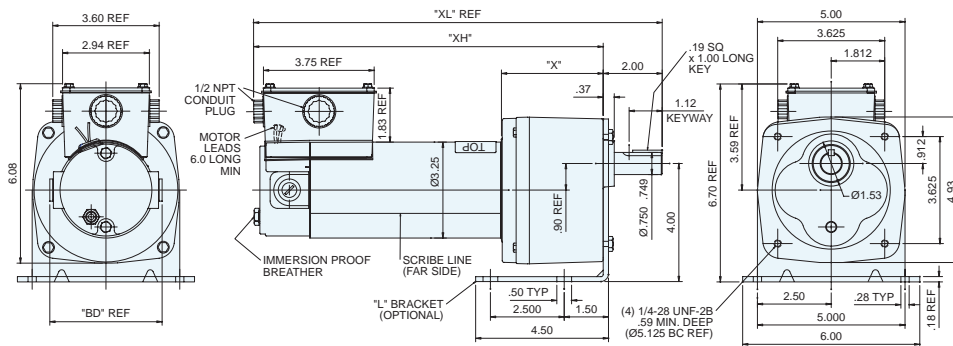
PE350 Series Parallel Shaft - TENV - 1.0 Service Factor - Low Voltage 12V

Output RPM	FL Torque (Lb.In.)	Input HP	Catalog Number	Stock	List Price	Model Number	Gearmotor Type & Frame	Ratio to 1	DC Arm. Volts	Full Load Amps DC	Over-hung Load (Lbs.)
14	341	1/8	M1125273.00	✓	957	M31D25VZ2	P353-31	180	12	12.0	465
42	325	1/4	M1125274.00	✓	1,012	M32D25VZ5	P353-32	58	12	20.0	327

Specifications are subject to change without notice

P	PB	X Inches	XL	XH
3.13	4.43	3.45	11.58	9.58
3.25	4.43	3.45	13.84	11.84

Specifications are subject to change without notice



Washguard® Motors

IP55 Washguard Right Angle Gearmotors

White Epoxy Painted



General Specifications - SCR Rated Gearmotors:

- Performance matched for continuous duty service over 60:1 speed range
- Constant torque throughout the range when powered by a full-wave unfiltered SCR-type adjustable speed control having a typical form factor of 1.3 to 1.4

General Specifications - Low Voltage Gearmotors:

- Performance matched for continuous duty service
- Designed for battery power or can be used with a low voltage controller with form factor up to 1.05

Features:

- 303 stainless steel gearbox output shaft
- Frame, endshields, armature and interior components protected by enamel and polyester compounds for resistance to moisture, acids, alkalies and oil
- Cast conduit box with threaded conduit holes and nitrile gaskets keep water out
- Conduit box cover is made from 304 stainless steel
- For any condensation that may accumulate inside the motor, a one-way stainless steel vapor vent is provided
- All hardware is stainless steel
- Painted with white epoxy for superior corrosion resistance and protection
- Machined fits between the endbells and motor frame are sealed with gaskets
- Thru-bolt heads and nuts sealed with fiber washers
- O-rings under each threaded brush cover
- Worm-type right-angle gearing features hardened, steel worm with bronze worm wheel for long life and quiet operation
- Precision machined aluminum gear housing
- Lubrication is permanent with an oil bath
- Gearbox has all ball bearings
- Output shaft is field interchangeable from left hand to right hand style by reassembly
- Double output shaft available as a factory option

Application Notes :

- These right-angle gearmotors have a lubrication breather positioned for horizontal mounting. For other mountings, the breather plug must be reoriented by using a 90 deg 1/8" NPT taper pipe elbow (See drawing). Elbow not available from LEESON
- These gearmotors are designed for mounting at any angle, but motor below the reducer should be avoided to prevent leakage of lubricant into the motor should the motor shaft seal fail
- Overhung load capacities shown are at center of output shaft



Washguard® Motors

IP55 Washguard Right Angle Gearmotors

White Epoxy Painted

Pump Motors

Washguard Motors

Agricultural Duty Motors

HVAC / Fan Motors

Special Voltage Motors

Definite Purpose Motors

Brake Motors

IEC Motors

DC Motors

TENV - 1.0 Service Factor - SCR Rated 90V

Output RPM	FL Torque (Lb.In.)	Input HP	Catalog Number	Stock	List Price	Model Number	Gearmotor Type & Frame	Ratio to 1	DC Arm. Volts	Full Load Amps DC	Over-hung Load (Lbs.)
42	80	1/8	M1125275.00	✓	934	M31D25VZ3	13F60-31	60	90	2.2	235
250	25	1/8	M1125276.00	✓	934	M31D25VZ4	13F10-31	10	90	2.2	235
62	135	1/4	M1125277.00	✓	942	M32D25VZ6	13F40-32	40	90	3.7	235
125	90	1/4	M1125278.00	✓	942	M32D25VZ7	13F20-32	20	90	3.7	235
250	50	1/4	M1125279.00	✓	942	M32D25VZ8	13F10-32	10	90	3.7	235

Specifications are subject to change without notice

P	PB	X Inches	XL	XH
3.13	3.8	4.5	10.86	6.36
3.13	3.8	4.5	10.86	6.36
3.25	3.8	4.5	12.86	8.36
3.25	3.8	4.5	12.86	8.36
3.25	3.8	4.5	12.86	8.36

Specifications are subject to change without notice

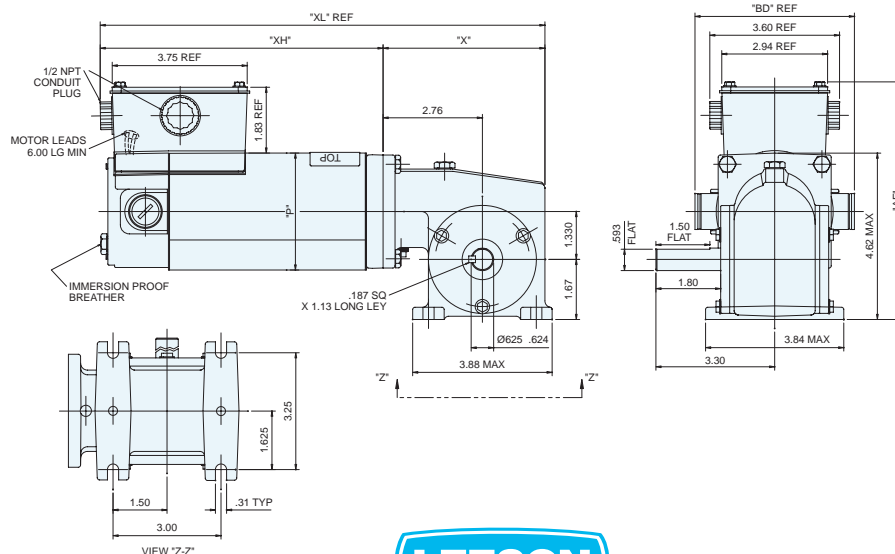
PE350 Series Parallel Shaft - TENV - 1.0 Service Factor - Low Voltage 12V

Output RPM	FL Torque (Lb.In.)	Input HP	Catalog Number	Stock	List Price	Model Number	Gearmotor Type & Frame	Ratio to 1	DC Arm. Volts	Full Load Amps DC	Over-hung Load (Lbs.)
62	135	1/4	M1125280.00	✓	894	M32D25VZ9	13F40-32	40	12	28.0	235
125	90	1/4	M1125281.00	✓	894	M32D25VZ10	13F20-32	20	12	28.0	235

Specifications are subject to change without notice

P	PB	X Inches	XL	XH
3.25	4.43	4.5	12.36	7.86
3.25	4.43	4.5	12.36	7.86

Specifications are subject to change without notice



Washguard® Motors

IP55 AC Washguard Gearmotors

Parallel Shaft - White Epoxy Painted



Features:

- Single phase PSC designs include capacitor inside conduit box
- These gearmotors are designed for mounting at any angle, but motor below the reducer should be avoided to prevent leakage of lubricant into the motor should the motor shaft seal fail
- Shaft material coated with teflon/ceramic plating
- White epoxy painted motors
- O-rings and gaskets used for sealing
- Hardened worm-type gearing used
- Interior components protected against corrosion
- Ball bearings used in gear housing
- Sealed output shafts
- Output shafts have needle bearings for high load capacities
- UL listed and CSA certified
- **Bison/Dayton direct interchange**



P240 series AC Washdown Duty Gearmotors

Output RPM	FL. Torque (Lb.In.)	Input HP	Catalog Number	Stock	List Price	Model Number	Gearmotor Type & Frame	Ratio to 1	Voltage	Phase	FL. Amps @ 230 V	Over-hung Load (Lbs.)
16	391	5/32	M1145138.00	√	962	CM38P17FZ39	P240	103	115/230	1	1.05	399
40	219	5/32	M1145139.00	√	962	CM38P17FZ40	P240	43	115/230	1	1.00	303
156	60	5/32	M1145140.00	√	883	CM38P17FZ41	P240	10.6	115/230	1	1.00	201
16	391	1/6	M1145144.00	√	962	CM38T17FZ20	P240	103	230	3	0.72	237
30	295	1/6	M1145145.00	√	962	CM38T17FZ21	P240	58	230	3	0.72	237

Specifications are subject to change without notice



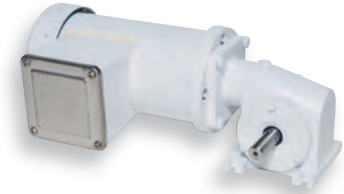
Washguard® Motors

IP55 AC Washguard Gearmotors

Right Angle

Features:

- Single phase PSC designs include capacitor inside conduit box
- These gearmotors are designed for mounting at any angle, but motor below the reducer should be avoided to prevent leakage of lubricant into the motor should the motor shaft seal fail
- Shaft material coated with teflon/ceramic plating
- White epoxy painted motors
- O-rings and gaskets used for sealing
- Hardened worm-type gearing used
- Interior components protected against corrosion
- Ball bearings used in gear housing
- Sealed output shafts
- Output shafts have needle bearings for high load capacities
- UL listed and CSA certified



Right Angle Series AC Washdown Duty Gearmotors

Output RPM	FL. Torque (Lb.In.)	Input HP	Catalog Number	Stock	List Price	Model Number	Gearmotor Type & Frame	Ratio to 1	Voltage	Phase	FL. Amps @ 230 V	Over-hung Load (Lbs.)
43	113	1/6	M1145141.00	√	808	CM38P17FZ42	Right-Angle	40	115/230	1	1.0	235
83	75	1/6	M1145142.00	√	991	CM38P17FZ43	Right-Angle	20	115/230	1	1.0	235
340	23	1/6	M1145143.00	√	991	CM38P17FZ44	Right-Angle	5	115/230	1	1.4	235
29	220	1/6	M1145146.00	√	991	CM38T17FZ22	Right-Angle	60	230	3	1.3	235
172	105	1/6	M1145147.00	√	991	CM38T17FZ23	Right-Angle	10	230	3	1.3	235

Specifications are subject to change without notice



Pump Motors

Washguard Motors

Agricultural Duty Motors

HVAC / Fan Motors

Special Voltage Motors

Definite Purpose Motors

Brake Motors

IEC Motors

DC Motors

Washguard® Motors

Washguard II Motors

Stainless Frame - Three Phase - Standard, EPAct & NEMA® Premium Ratings



Typical applications include food processing areas requiring frequent sanitation procedures using high pressure cleaning with concentrated caustic solutions, areas of high humidity and in chemical environments.

Features:

- Paint free exterior
- BISSC certified for the baking industry
- Stainless Steel Output shafts
- Repositional drain plugs for all angle mounting
- Double sealed bearings
- Output shaft seal
- Inverter duty IRIS® insulation system



Stainless Frame - C Face Less Base - Totally Enclosed

HP	SYN RPM 60 Hz	NEMA Frame	Catalog Number	Stock	List Price	Model Number	App. Wgt. (lbs)	Voltage	F. L. Amps @ 230 V	% F.L. Eff.	Service Factor	"C" Dim. (Inches)	♥Notes
1/2	1800	56C	114394.00	√	860	CZ6T17VC10	30	208-230/460	1.6	78.5	1.15	11.06	S, US, 12
3/4	1800	56C	114395.00	√	995	CZ6T17VC11	34	208-230/460	2.3	80.0	1.15	11.56	S, US, 12
1	1800	56C	119487.00	√	1,126	CZ6T17FC384	47	208-230/460	3.2	85.5	1.15	12.65	S, US, 13
1	1800	143TC	122198.00	√	1,126	CZ143T17WC14	48	208-230/460	3.2	85.5	1.15	13.16	S, US, 13
1 1/2	1800	56C	119488.00	√	1,180	CZ6T17WC55	47	208-230/460	4.8	86.5	1.15	13.16	S, US, 13
1 1/2	1800	145TC	G121350.00	D	1,084	CZ145T17WC29	45	208-230/460	4.4	82.5	1.15	13.25	S, US, 13
1 1/2	1800	145TC	122199.00	√	1,180	CZ145T17WC46	48	208-230/460	4.8	86.5	1.15	13.25	S, US, 13
2	1800	56C	119489.00	√	1,342	CZ6T17WC56	53	208-230/460	5.8	86.5	1.15	13.69	S, US, 13
2	1800	145TC	122200.00	√	1,342	CZ145T17WC47	53	208-230/460	5.8	86.5	1.15	13.75	S, US, 13

Green items are Premium Efficient

D - Item to be discontinued once inventory is depleted

Note 12 - TENV

Note 13 - TEFC

♥ Note listing on inside back flap

Specifications are subject to change without notice

Stainless Frame - C Face With Base - Totally Enclosed

HP	SYN RPM 60 Hz	NEMA Frame	Catalog Number	Stock	List Price	Model Number	App. Wgt. (lbs)	Voltage	F. L. Amps @ 230 V	% F.L. Eff.	Service Factor	"C" Dim. (Inches)	♥Notes
1/2	1800	56HC	114560.00	√	870	CZ6T17VK3	34	208-230/460	1.6	78.5	1.15	11.56	S, US, 6, 12
3/4	1800	56HC	114561.00	√	1,005	CZ6T17VK4	38	208-230/460	2.3	80.0	1.15	12.06	S, US, 6, 12
1	1800	56HC	119490.00	√	1,128	CZ6T17FK385	48	208-230/460	3.2	85.5	1.15	12.65	S, US, 6, 13
1	1800	143TC	122201.00	√	1,128	CZ143T17WK19	49	208-230/460	3.2	85.5	1.15	13.16	S, US, 13
1 1/2	1800	145TC	121912.00	C/A	1,199	CZ145T14KW40	47	208-230/460	4.4	86.5	1.15	13.25	S, US, 13
2	1800	145TC	121913.00	√	1,401	CZ145T14WK41	54	208-230/460	5.6	86.5	1.25	13.75	S, US, 13

Green items are Premium Efficient

C/A - Check Availability

Note 12 - TENV

Note 13 - TEFC

♥ Note listing on inside back flap

Specifications are subject to change without notice

Pump Motors

Washguard Motors

Agricultural Duty Motors

HVAC / Fan Motors

Special Voltage Motors

Definite Purpose Motors

Brake Motors

IEC Motors

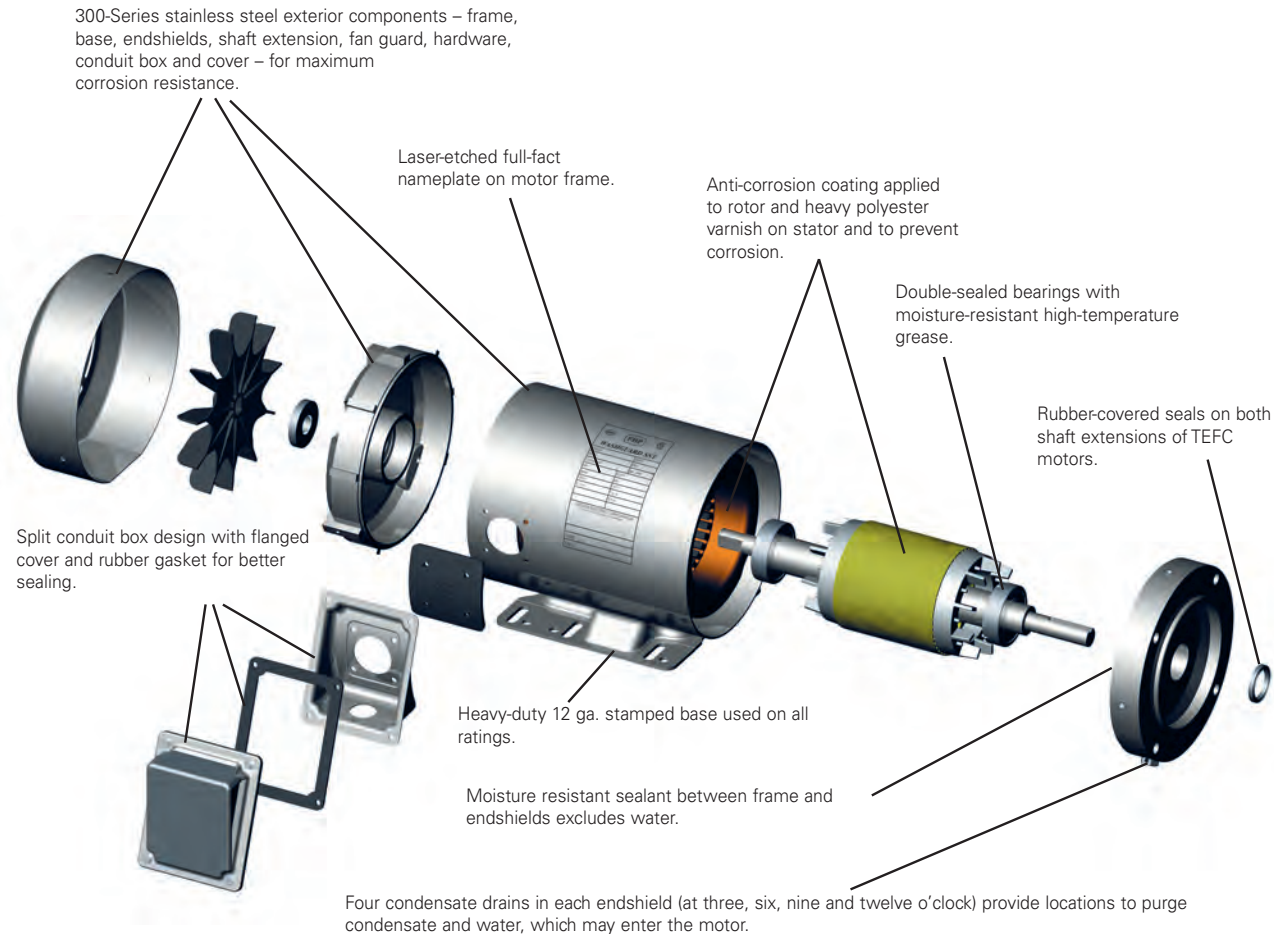
DC Motors

SST StainlessDuck



This member of LEESON's family of tough ducks is designed for long life in demanding washdown applications. LEESON's FHP Washguard SST All-Stainless motors are Stainless Steel Tough!

Built with all stainless steel external components to prevent corrosion and well sealed against moisture and condensation to protect internal components, the Washguard SST all-stainless steel motors are able to withstand the severe washdown environments found in the food processing, chemical processing, and beverage industries.



Pump Motors

Washguard Motors

Agricultural Duty Motors

HVAC / Fan Motors

Special Voltage Motors

Definite Purpose Motors

Brake Motors

IEC Motors

DC Motors





Single-Phase - TEFC - C Face With Base

HP	SYN RPM 60 Hz	NEMA Frame	Catalog Number	Stock	List Price	Model Number	App. Wgt. (lbs)	Voltage	F. L. Amps @ 230 V	Service Factor	"C" Dim. (Inches)	♥Notes
1/2	3600	56C	191474.00	√	736	C6C34WK18	29.5	115/208-230	3.1	1.15	11.10	S, CN
1/2	1800	56C	191475.00	√	829	C6C17WK14	31.5	115/208-230	4.1	1.15	11.10	S, CN
3/4	3600	56C	191476.00	√	810	C6C34WK19	31.5	115/208-230	4.5	1.15	11.80	S, CN
3/4	1800	56C	191477.00	√	957	C6C17WK15	39.0	115/208-230	4.9	1.15	11.80	S, CN
1	3600	56C	191478.00	√	951	C6C34WK20	39.0	115/208-230	6.2	1.15	12.30	S, CN
1	1800	56C	191479.00	√	999	C6C17WK16	42.5	115/208-230	6.8	1.15	12.30	S, CN
1 1/2	3600	56C	191480.00	√	1,046	C6K34WK2	42.5	115/208-230	8.8	1.15	13.20	S, CN
1 1/2	1800	56C	191481.00	√	1,043	C6K17WK1	52.5	115/208-230	9.5	1.15	13.20	S, CN
2	3600	145TC	191482.00	√	1,349	C145K34WK2	64.5	115/208-230	10.8	1.15	14.20	S, CN
2	1800	145TC	191483.00	√	1,323	C145K17WK3	64.5	115/208-230	9.0	1.15	14.20	S, CN

♥ Note listing on inside back flap
 Specifications are subject to change without notice

Stainless Steel Pedestal Fan Motors

- Extended Thru-bolts
- Auto Reset Protectors
- TEAO designs



Single-Phase - TEAO - Yoke Mount

HP	SYN RPM 60 Hz	NEMA Frame	Catalog Number	Stock	List Price	Model Number	App. Wgt. (lbs)	Voltage	F. L. Amps @ 230 V	Service Factor	"C" Dim. (Inches)	Shaft Dia.	♥Notes
1/4	1725	48Y	191543.00	√	684	A4P17VZ1A	17.6	115/230	1.3	1.0	11.58	.50	S, CN
1/4	1075	48Y	191544.00	√	693	A6P11VZ1A	18.7	115/230	1.5	1.0	11.58	.50	S, CN
1/3	1725	48Y	191545.00	√	706	A4P17VZ2A	18.5	115/230	1.5	1.0	11.58	.50	S, CN
1/3	1075	48Y	191546.00	√	718	A6P11VZ2A	21.6	115/230	2.0	1.0	11.58	.50	S, CN
1/2	1725	48Y	191547.00	√	732	A4P17VZ3A	21.2	115/230	2.6	1.0	11.58	.63	S, CN
1/2	1075	48Y	191548.00	√	766	A6P11VZ3A	26.4	115/230	2.7	1.0	12.56	.63	S, CN

♥ Note listing on inside back flap
 Specifications are subject to change without notice

NEW!



Washguard® Motors SST - All Stainless Motors



Three-Phase - TENV/TEFC - C Face With Base

HP	SYN RPM 60 Hz	NEMA Frame	Catalog Number	Stock	List Price	Model Number	App. Wgt. (lbs)	Voltage	F. L. Amps @ 230 V	% F.L. Eff.	Service Factor	"C" Dim. (Inches)	♥Notes
1/3	3600	56C	191200.40	√	705	C6T34NK32	29	208-230/460	1.0	74.0	1.15	9.78	S, CN, 12
1/3	1800	56C	191201.40	√	789	C6T17NK40	30	208-230/460	1.3	78.5	1.15	9.78	S, CN, 12
1/2	3600	56C	191203.40	√	721	C6T34NK33	32	208-230/460	1.5	77.0	1.15	9.78	S, CN, 12
1/2	1800	56C	191204.40	√	814	C6T17NK41	33	208-230/460	1.6	81.5	1.15	9.78	S, CN, 12
1/2	1800	56C	191949.00	√	814	C6T17NK46	34	208-230/460	1.6	81.5	1.15	13.77	S, CN, 13
1/2	1200	56C	191414.40	√	885	C6T11NK7	36	208-230/460	2.0	78.5	1.15	9.76	S, CN, 12
3/4	3600	56C	191206.40	√	792	C6T34NK34	33	208-230/460	2.0	78.5	1.15	9.78	S, CN, 12
3/4	1800	56C	191207.40	√	936	C6T17NK48	38	208-230/460	2.3	82.5	1.15	9.78	S, CN, 12
3/4	1800	56C	191950.00	√	936	C6T17WK40	39	208-230/460	2.3	82.5	1.15	13.77	S, CN, 13
3/4	1200	56C	191415.40	√	1,018	C6T11NK8	49	208-230/460	3.0	80.0	1.15	11.30	S, CN, 12
1	3600	56HC	191209.00	√	930	C6T34FK85	41	208-230/460	2.6	80.0	1.15	13.77	S, CN, 6, 13
1	3600	143TC	191486.00	√	1,160	C143T34WK10	42	208-230/460	2.6	80.0	1.15	13.62	S, CN, 13
1	1800	56C	191291.40	√	977	C6T17NK49	46	208-230/460	3.0	85.5	1.15	11.94	S, CN, 12
1	1800	56HC	191558.00	√	1,204	C6T17WK41	48	208-230/460	3.0	85.5	1.15	13.77	S, CN, 6, 13
1	1800	143TC	191487.00	√	1,217	C143T17WK14	48	208-230/460	3.0	85.5	1.15	13.62	S, CN, 13
1	1200	56HC	191417.00	√	1,065	C6T11NK6	49	208-230/460	3.8	82.5	1.15	13.10	S, CN, 13
1	1200	145TC	191528.00	√	1,069	C6T11NK6	49	208-230/460	3.8	82.5	1.15	13.20	S, CN, 13
1 1/2	3600	56HC	191560.00	√	1,255	C6T34WK23	48	208-230/460	3.8	84.0	1.15	13.77	S, CN, 6, 13
1 1/2	3600	143TC	191488.00	√	1,281	C143T34WK12	49	208-230/460	3.8	84.0	1.15	13.62	S, CN, 13
1 1/2	1800	56HC	191561.00	√	1,245	C6T17WK43	48	208-230/460	4.8	86.5	1.15	13.77	S, CN, 6, 13
1 1/2	1800	145TC	191489.00	√	1,269	C145T17WK35	49	208-230/460	4.8	86.5	1.15	13.62	S, CN, 13
2	3600	56HC	191562.00	√	1,513	C6T34WK37	49	208-230/460	5.0	85.5	1.15	13.77	S, CN, 6, 13
2	3600	145TC	191490.00	√	1,533	C145T34WK26	50	208-230/460	5.0	85.5	1.15	13.62	S, CN, 13
2	1800	56HC	191563.00	√	1,477	C6T17WK42	53	208-230/460	5.8	86.5	1.15	13.77	S, CN, 6, 13
2	1800	145TC	191491.00	√	1,505	C145T17WK37	53	208-230/460	5.8	86.5	1.15	13.62	S, CN, 13
3	3600	145TC	191492.00	√	1,645	C145T34WK21	62	208-230/460	7.4	86.5	1.15	14.12	S, CN, 13
3	3600	182TC	194000.00	√	2,683	C182T34WK2	85	208-230/460	6.9	86.5	1.15	16.97	S, CN, 13
3	1800	182TC	194001.00	√	2,730	C182T17WK21	120	208-230/460	7.2	89.5	1.15	19.97	S, CN, 13
5	3600	184TC	194002.00	√	3,099	C184T34WK21	125	208-230/460	11.0	88.5	1.15	18.14	S, CN, 13
5	1800	184TC	194003.00	√	3,056	C184T17WK25	146	208-230/460	12.4	89.5	1.15	18.14	S, CN, 13
7 1/2	3600	213TC	194004.00	√	4,243	C213T34WK9	159	208-230/460	17.4	89.5	1.15	21.57	S, CN, 13
7 1/2	1800	213TC	194005.00	√	4,672	C213T17WK19	185	208-230/460	19.4	91.7	1.15	21.57	S, CN, 13
10	3600	215TC	194006.00	√	4,455	C215T34WK16	176	208-230/460	22.8	90.2	1.15	21.57	S, CN, 13
10	1800	215TC	194007.00	√	4,749	C215T17WK19	207	208-230/460	25.2	91.7	1.15	21.57	S, CN, 13

Shaded model numbers are NEW

Green items are Premium Efficient

Note 12 - TENV

Note 13 - TEFC

Note: Coming soon - 15 HP through 30 HP SST

♥ Note listing on inside back flap
Specifications are subject to change without notice



Pump Motors

Washguard Motors

Agricultural Duty Motors

HVAC / Fan Motors

Special Voltage Motors

Definite Purpose Motors

Brake Motors

IEC Motors

DC Motors

Washguard® Motors

SST - All Stainless Motors



Three Phase - TENV/TEFC - C Face Less Base

HP	SYN RPM 60 Hz	NEMA Frame	Catalog Number	Stock	List Price	Model Number	App. Wgt. (lbs)	Voltage	F. L. Amps @ 230 V	% F.L. Eff.	Service Factor	"C" Dim. (Inches)	♥Notes
1/3	1800	56C	191202.40	√	783	C6T17NC320	30	208-230/460	1.3	78.5	1.15	9.78	S,CN,12
1/2	1800	56C	191205.40	√	801	C6T17NC321	33	208-230/460	1.6	81.5	1.15	9.78	S,CN,12
1/2	1800	56C	191507.00	√	801	C6T17WC39	34	208-230/460	0.8	78.0	1.15	11.20	S,CN,13
1/2	1200	56C	191419.40	√	874	C6T11NC48	35	208-230/460	2.0	78.5	1.15	9.76	S,CN,12
3/4	1800	56C	191208.40	√	934	C6T17NC322	38	208-230/460	2.3	82.5	1.15	9.78	S,CN,12
3/4	1800	56C	191508.00	√	934	C6T17WC40	39	208-230/460	1.1	80.0	1.15	11.20	S,CN,13
3/4	1200	56C	191420.40	√	1016	C6T11NC49	47	208-230/460	3.0	80.0	1.15	11.30	S,CN,12
1	1800	56C	191290.40	√	973	C6T17NC323	45	208-230/460	3.0	85.5	1.15	11.00	S,CN,12
1	1800	56C	191564.00	√	1163	C6T17WC46	48	208-230/460	3.0	85.5	1.15	13.77	S,CN,13
1	1800	143TC	191565.00	√	1186	C143T17WC9	48	208-230/460	3.0	85.5	1.15	13.62	S,CN,13
1	1200	56C	191421.00	√	1,062	C6T11NC44	47	208-230/460	3.8	82.5	1.15	13.10	S,CN,13
1 1/2	1800	56C	191567.00	√	1204	C6T17WC48	49	208-230/460	4.8	86.5	1.15	13.77	S,CN,13
1 1/2	1800	145TC	G191220.00	D	1,045	C145T17WC37	48	208-230/460	4.8	84.0	1.15	13.62	S,CN,13
1 1/2	1800	145TC	191568.00	√	1,230	C145T17WC39	48	208-230/460	4.8	86.5	1.15	13.62	S,CN,13
2	1800	56C	191569.00	√	1,420	C6T17WC47	52	208-230/460	5.8	86.5	1.15	13.77	S,CN,13
2	1800	145TC	191570.00	√	1,467	C145T17WC59	52	208-230/460	5.8	86.5	1.15	13.62	S,CN,13
3	3600	145TC	G191542.00	D	1,312	C145T34WC8	60	208-230/460	7.4	86.5	1.15	14.12	S,CN,13
3	3600	145TC	191542.00	√	1,312	C145T34WC8	60	208-230/460	7.4	86.5	1.15	14.12	S,CN,13

Green items are Premium Efficient

D - Item to be discontinued once inventory is depleted
 Note 12 - TENV
 Note 13 - TEFC

♥ Note listing on inside back flap
 Specifications are subject to change without notice



Washguard® Motors

Premium - All Stainless Motors

Single Phase & Three Phase

Pump
Motors

Washguard
Motors

Agricultural
Duty Motors

HVAC / Fan
Motors

Special Voltage
Motors

Definite
Purpose Motors

Brake Motors

IEC Motors

DC Motors

General Specifications:

Designed specifically to meet the demanding sanitation requirements of the pharmaceutical, food processing and beverage industries. These motors are also ideal in clean room and severe chemical-processing applications involving frequent washdown with nitric acid and caustic lye.

Mechanical Protection Features:

- All exterior components are 300-series stainless steel
- Nothing on the motor's exterior is painted or coated in any way
- All sealing components are Viton® for superior chemical resistance
- Full fact nameplate is laser etched on the motor frame – no separately attached nameplate to trap dirt or contaminants
- Endshields are O-ring sealed to the frame
- Double lip shaft seals on both ends of TEFC motors (shaft end only on TENV motors)
- Removable hydrophobic breathers in opposite shaft endbell and conduit box equalize pressure without allowing moisture to enter
- Exterior fastener use minimized reducing the number of entry points for moisture. There are no holes in the frame for attaching a nameplate. Bearing lock screws are located inside the motor and the conduit box mounted screws have been eliminated
- Double-sealed bearings are pre-lubricated with moisture-resistant high-temperature grease for long life
- Interior coatings applied to rotor and stator protect against corrosion
- New conduit box mounting system provides optimum sealing
- Ease to clean construction is BISSC Certified for bakery applications

Electrical Performance and Protection Features:

- WASHGUARD efficiencies meet EPA mandates for non-exempt motors when tested without shaft seals.
- Windings are immersed and cured in polyester insulating varnish for extra moisture-resistance
- LEESON's exclusive IRIS® Inverter-Rated Insulation System provides extra protection and long life, especially in inverter-driven applications
- Single-phase motors use Solid State Sinpac® switch – no mechanical switch contacts to corrode and fail
- All Washdown duty motors have Class F Insulation

Standards and Approvals:

- Single and three phase motors are UL component recognized – file number E57948, guide number PRGY2.
- CSA Energy Efficiency Verification Program, report number EEV 78720-1
- Construction is CSA Certified for safety report number LR33543 and listed under BISSC authorization number 769

Washguard® Motors

Premium - All Stainless Motors

Single-Phase & Three-Phase

Premium Stainless Duck




300-Series stainless steel exterior components – frame, base, endshields, shaft extension, fan guard, hardware, conduit box and cover – for maximum corrosion resistance.

Laser-etched full-fact nameplate on motor frame.

Interior coatings applied to rotor and stator protect against moisture and corrosion.

Double-sealed bearings with moisture-resistant high-temperature grease.

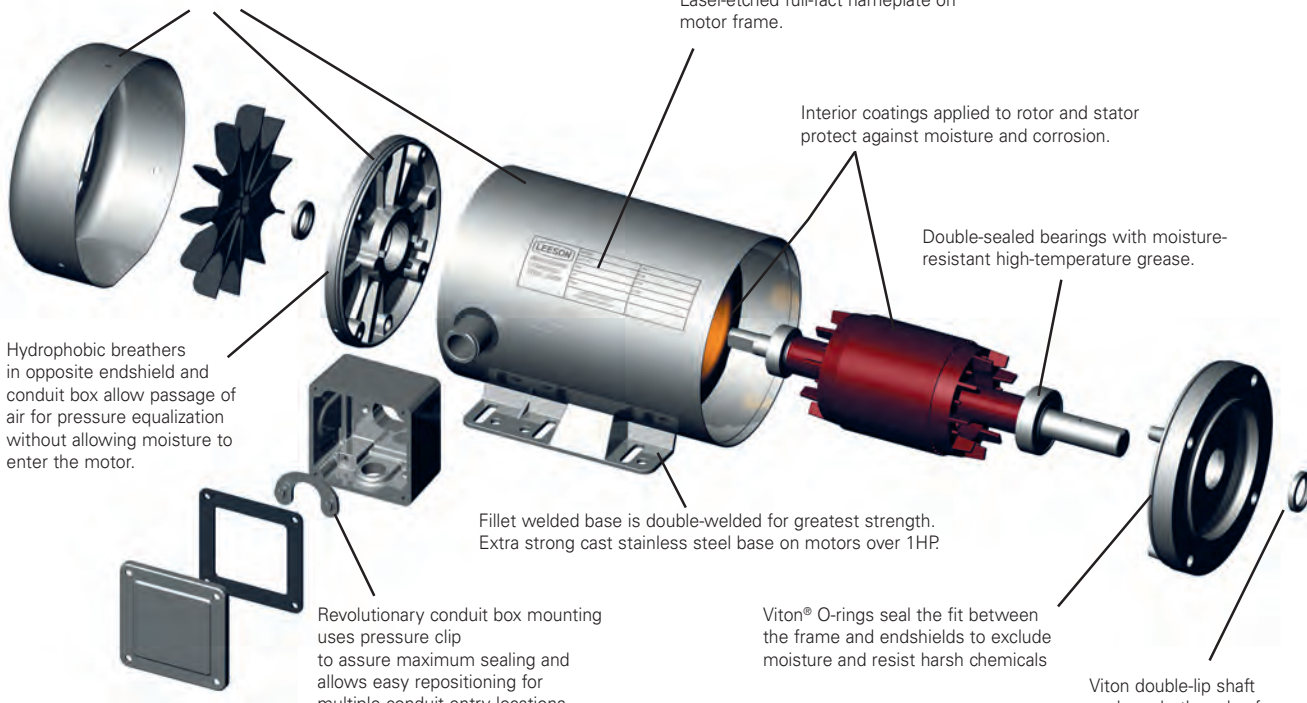
Hydrophobic breathers in opposite endshield and conduit box allow passage of air for pressure equalization without allowing moisture to enter the motor.

Fillet welded base is double-welded for greatest strength. Extra strong cast stainless steel base on motors over 1HP.

Revolutionary conduit box mounting uses pressure clip to assure maximum sealing and allows easy repositioning for multiple conduit entry locations.

Viton® O-rings seal the fit between the frame and endshields to exclude moisture and resist harsh chemicals

Viton double-lip shaft seals on both ends of TEFC motors.





Three Phase - TENV/TEFC - C Face With Base

HP	SYN RPM 60 Hz	NEMA Frame	Catalog Number	Stock	List Price	Model Number	App. Wgt. (lbs)	Voltage	F. L. Amps @ 230 V	% FL. Eff.	Service Factor	"C" Dim. (Inches)	♥Notes
1/2	3600	56HC	117269.00	√	1,404	CZ6T34VK19	35	208-230/460	1.6	82.5	1.15	10.47	S, US, 12
1/2	1800	S56C	103387.00	√	1,408	CZ4T17VK2	31	208-230/460	1.8	76.0	1.15	11.49	S, US, 12
1/2	1800	56HC	117266.00	√	1,504	CZ6T17VK46	35	208-230/460	1.6	78.5	1.15	11.22	S, US, 12
1/2	1800	56HC	117762.00	√	1,504	CZ6T17VK52	36	208-230/460	1.8	78.5	1.15	13.13	S, US, 13
1/2	1200	56HC	117275.00	√	1,876	CZ6T11VK5	35	208-230/460	2.3	77.0	1.15	11.47	S, US, 12
3/4	3600	56HC	117271.00	√	1,454	CZ6T34VK20	40	208-230/460	2.4	84.0	1.15	10.97	S, US, 12
3/4	1800	S56C	103388.00	√	1,460	CZ4T17WK1	28	208-230/460	2.4	77.0	1.15	12.50	S, US, 13
3/4	1800	56HC	117267.00	√	1,561	CZ6T17VK47	41	208-230/460	2.3	80.0	1.15	11.72	S, US, 12
3/4	1200	56HC	117276.00	√	1,939	CZ6T11VK6	46	208-230/460	3.0	78.5	1.15	13.22	S, US, 12
1	3600	56HC	117273.00	√	1,591	CZ6T34VK21	43	208-230/460	2.6	85.5	1.15	13.04	S, US, 12
1	1800	56HC	119973.00	√	1,832	CZ6T17VK74	42	208-230/460	—	85.5	1.15	—	S, US, 12
1	1800	56HC	119491.00	√	1,832	CZ6T17WK52	42	208-230/460	3.2	85.5	1.15	11.94	S, US, 13
1	1800	143TC	121873.00	√	1,888	CZ143T17WK12	50	208-230/460	3.2	85.5	1.15	12.00	S, US, 13
1	1200	56HC	119492.00	√	2,032	CZ6T11WK12	51	208-230/460	3.8	82.5	1.15	12.69	S, US, 13
1 1/2	3600	143TC	121874.00	√	1,904	CZ143T34WK7	45	208-230/460	4.0	84.0	1.15	11.75	S, US, 13
1 1/2	1800	56HC	119494.00	√	1,906	CZ6T17WK56	51	208-230/460	4.4	86.5	1.15	11.94	S, US, 13
1 1/2	1800	145TC	121875.00	√	1,931	CZ145T17WK32	49	208-230/460	4.8	86.5	1.15	12.75	S, US, 13
1 1/2	1200	182TC	132565.00	√	2,809	C182T11WK2	85	208-230/460	6.0	87.5	1.15	14.27	S, US, 13
2	3600	145TC	121876.00	√	2,260	CZ145T34WK18	49	208-230/460	4.8	85.5	1.25	12.75	S, US, 13
2	1800	56HC	119495.00	√	2,239	CZ6T17WK54	52	208-230/460	5.8	86.5	1.15	13.19	S, US, 13
2	1800	145TC	121877.00	√	2,283	CZ145T17WK33	50	208-230/460	5.8	86.5	1.25	13.25	S, US, 13
3	3600	145TC	121878.00	√	2,719	CZ145T34WK27	53	208-230/460	8.0	86.5	1.15	13.69	S, US, 13
3	3600	182TC	132203.00	√	2,782	CZ182T34WK2	85	208-230/460	7.6	86.5	1.25	14.27	S, MX, 13
3	1800	182TC	132206.00	√	2,868	C184T17WK14	85	208-230/460	7.8	89.5	1.15	14.77	S, MX, 13
5	3600	184TC	132207.00	√	3,251	C184T34WK11	90	208-230/460	12.0	88.5	1.25	15.27	S, MX, 13
5	1800	184TC	132208.00	√	3,181	C184T17WK16	96	208-230/460	12.6	89.5	1.15	15.77	S, MX, 13
7 1/2	3600	213TC	140825.00	√	4,525	C213T34WK4	160	208-230/460	17.8	89.5	1.15	18.69	S, MX, 13
7 1/2	1800	213TC	140826.00	√	5,107	C213T17WK10	160	208-230/460	21.6	91.7	1.15	18.69	S, MX, 13
10	3600	215TC	140827.00	√	4,652	C215T34WK11	165	208-230/460	23.6	90.2	1.15	18.69	S, MX, 13
10	1800	215TC	140828.00	√	5,260	C215T17WK10	173	208-230/460	26.8	91.7	1.15	18.69	S, MX, 13

Green items are Premium Efficient

Note 12 - TENV
Note 13 - TEFC

♥ Note listing on inside back flap
Specifications are subject to change without notice



Pump Motors

Washguard Motors

Three Phase - TENV/TEFC - C Face Less Base

HP	SYN RPM 60 Hz	NEMA Frame	Catalog Number	Stock	List Price	Model Number	App. Wgt. (lbs)	Voltage	F. L. Amps @ 230 V	% F.L. Eff.	Service Factor	"C" Dim. (Inches)	♥Notes
1/3	1800	48C	103393.00	C/A	1,191	CZ4T17VC7	25	208-230/460	1.3	70.5	1.15	9.83	S, US, 12
1/2	3600	56C	117279.00	√	1,378	CZ6T34VC22	35	208-230/460	1.6	82.5	1.15	10.47	S, US, 12
1/2	1800	48C	103394.00	√	1,216	CZ4T17VC3	27	208-230/460	1.8	76.0	1.15	11.58	S, US, 12
1/2	1800	S56C	103389.00	√	1,391	CZ4T17VC4	30	208-230/460	1.8	76.0	1.15	11.49	S, US, 12
1/2	1800	56C	117270.00	√	1,475	CZ6T17VC56	34	208-230/460	1.6	78.5	1.15	11.22	S, US, 12
3/4	3600	56C	117280.00	C/A	1,425	CZ6T34VC23	40	208-230/460	2.4	84.0	1.15	10.97	S, US, 12
3/4	1800	S56C	103390.00	√	1,423	CZ4T17WC1	33	208-230/460	2.4	77.0	1.15	12.50	S, US, 13
3/4	1800	56C	117272.00	√	1,522	CZ6T17VC57	40	208-230/460	2.3	80.0	1.15	11.72	S, US, 12
1	3600	56C	117281.00	√	1,562	CZ6T34VC24	43	208-230/460	2.6	85.5	1.15	12.22	S, US, 12
1	1800	56C	119974.00	√	1,790	CZ6T17VC73	—	208-230/460	—	85.5	1.15	—	S, US, 12
1	1800	56C	119497.00	√	1,790	CZ6T17WC57	47	208-230/460	3.2	85.5	1.15	11.94	S, US, 13
1	1800	143TC	122202.00	C/A	1,796	CZ143T17WC15	53	208-230/460	3.2	85.5	1.15	12.00	S, US, 13
1 1/2	3600	143TC	122207.00	√	1,873	CZ143T34WC8	55	208-230/460	4.0	84.0	1.15	12.00	S, US, 13
1 1/2	1800	56C	117282.00	D	1,602	CZ6T17WC28	49	208-230/460	4.4	84.0	1.15	11.94	S, US, 13
1 1/2	1800	56C	119498.00	√	1,880	CZ6T17WC52	52	208-230/460	4.8	86.5	1.15	12.94	S, US, 13
1 1/2	1800	145TC	122203.00	√	1,885	CZ145T17WC49	58	208-230/460	4.8	86.5	1.15	12.75	S, US, 13
2	3600	145TC	G121561.00	D	1,929	CZ145T34WC20	54	208-230/460	5.2	84.0	1.15	12.50	S, US, 13
2	3600	145TC	122205.00	√	2,210	CZ145T34WC24	57	208-230/460	4.8	85.5	1.15	13.25	S, US, 13
2	1800	56C	119499.00	√	2,192	CZ6T17WC58	51	208-230/460	5.8	86.5	1.15	13.25	S, US, 13
2	1800	145TC	122204.00	√	2,198	CZ145T17WC48	63	208-230/460	5.8	86.5	1.15	13.25	S, US, 13
3	3600	145TC	122206.00	√	2,665	CZ145T34WC25	58	208-230/460	8.0	86.5	1.15	13.69	S, US, 13
3	1800	182TC	132447.00	√	2,789	C182T17WC12	91	208-230/460	7.8	89.5	1.15	14.77	S, MX, 13
5	3600	184TC	132449.00	√	3,169	C184T34WC11	100	208-230/460	12.0	88.5	1.15	15.27	S, MX, 13
5	1800	184TC	132448.00	√	3,118	C184T17WC106	105	208-230/460	12.6	89.5	1.15	15.77	S, MX, 13

Green items are Premium Efficient

D - Item to be discontinued once inventory is depleted

C/A - Check Availability

Note 12 - TENV

Note 13 - TEFC

♥ Note listing on inside back flap
 Specifications are subject to change without notice

Agricultural Duty Motors

HVAC / Fan Motors

Special Voltage Motors

Definite Purpose Motors

Brake Motors

IEC Motors

DC Motors



Washguard® Motors Premium All Stainless Motors with Shaft Grounding Rings (SGRs)



General Specifications:

Same design features as our standard Premium Stainless and Extreme Duck Ultra motors only having a built-in shaft grounding ring that are designed to protect motors that are used in applications that are using AC inverters to control the speed of the motors. They eliminate the stray voltages that may damage the motor's bearings.

Premium Washguard All-Stainless Motors With Shaft Grounding Rings (SGRs)

Three Phase - Standard, EAct & NEMA® Premium Ratings Three-Phase - TENV/TEFC - C Face With Base

HP	SYN RPM 60 Hz	NEMA Frame	Catalog Number	Stock	List Price	Model Number	App. Wgt. (lbs)	Voltage	F. L. Amps @ 230 V	% F.L. Eff.	Service Factor	"C" Dim. (Inches)	♥Notes
1/2	1800	56HC	117901.00	√	1,602	CZ6T17VK53	35	208-230/460	1.6	78.5	1.15	12.54	S, US, 12
3/4	1800	56HC	117902.00	√	1,656	CZ6T17VK54	41	208-230/460	2.3	80.0	1.15	13.04	S, US, 12
1	1800	56HC	117903.00	D	1,734	CZ6T17WK38	39	208-230/460	3.1	82.5	1.15	13.13	S, US, 12
1	1800	56C	119500.00	√	1,873	CZ6T17WK48	41	208-230/460	3.2	85.5	1.15	11.94	S, US, 13
1	1800	143TC	122215.00	√	1,929	CZ143T17WK21	43	208-230/460	3.2	85.5	1.15	12.00	S, US, 13
1 1/2	1800	56HC	119501.00	√	1,948	CZ6T17WK49	54	208-230/460	4.8	86.5	1.15	12.94	S, US, 13
1 1/2	1800	145TC	122030.00	√	2,014	CZ145T17WK52	56	208-230/460	4.4	86.5	1.15	13.69	S, US, 13
2	1800	56HC	119502.00	√	2,274	CZ6T17WK50	70	208-230/460	5.8	86.5	1.15	13.44	S, US, 13
2	1800	145TC	122031.00	√	2,354	CZ145T17WK53	71	208-230/460	5.6	86.5	1.25	13.69	S, US, 13

Green items are Premium Efficient

D - Item to be discontinued once inventory is depleted

Note 12 - TENV

Note 13 - TEFC

♥ Note listing on inside back flap
Specifications are subject to change without notice



Single Phase - TENV/TEFC - C Face With Base

HP	SYN RPM 60 Hz	NEMA Frame	Catalog Number	Stock	List Price	Model Number	App. Wgt. (lbs)	Voltage	F. L. Amps @ 230 V	Service Factor	"C" Dim. (Inches)	♥Notes
1/3	1800	56HC	116343.00	√	1,574	NZ6C17VK1	35	115/208-230	2.7	1.15	12.20	S, US, 6, 12
1/2	3600	56HC	116344.00	√	1,558	NZ6C34VK2	38	115/208-230	3.8	1.15	12.20	S, US, 6, 12
1/2	1800	56HC	116345.00	√	1,597	NZ6C17VK2	38	115/208-230	3.3	1.15	12.70	S, US, 6, 12
3/4	1800	56HC	116346.00	√	1,688	NZ6K17VK2	42	115/208-230	3.8	1.15	12.70	S, US, 6, 12
3/4	1200	56H	116919.00	√	1,765	UZ6K11VB1	44	115/208-230	4.2	1.15	13.88	S, US, 6, 12 ♣
1	3600	56HC	116347.00	√	1,767	NZ6C34VK1	49	115/208-230	6.0	1.15	13.70	S, US, 6, 12
1	1800	56HC	116348.00	√	1,755	NZ6K17VK1	49	115/208-230	4.5	1.15	13.70	S, US, 6, 12
1 1/2	3600	56HC	116482.00	C/A	1,851	CZ6K34WK1	49	115/208-230	6.8	1.15	13.81	S, US, 13
1 1/2	1800	145TC	121622.00	√	1,824	CZ145K17WK2	53	115/208-230	7.4	1.15	14.81	S, US, 13
2	3600	145TC	121623.00	C/A	2,022	CZ145K34WK1	57	115/208-230	8.8	1.15	14.81	S, US, 13
2	1800	145TC	121632.00	C/A	2,104	CZ145K17WK1	57	115/208-230	10.0	1.15	14.81	S, US, 13

Note ♣: Motor 116919.00 is Rigid Mount only - no C Face
C/A - Check Availability
Note 12 - TENV
Note 13 - TEFC

♥ Note listing on inside back flap
Specifications are subject to change without notice

Single Phase - TENV/TEFC - C Face Less Base

HP	SYN RPM 60 Hz	NEMA Frame	Catalog Number	Stock	List Price	Model Number	App. Wgt. (lbs)	Voltage	F. L. Amps @ 230 V	Service Factor	"C" Dim. (Inches)	♥Notes
1/3	1800	56C	116349.00	√	1,540	NZ6C17VC1	35	115/208-230	2.7	1.15	11.70	S, US, 12
1/2	1800	56C	116350.00	√	1,570	NZ6C17VC2	38	115/208-230	3.3	1.15	12.70	S, US, 12
3/4	1800	56C	116351.00	√	1,654	CZ6K17VC2	42	115/208-230	3.8	1.15	12.70	S, US, 12
1	1800	56C	116352.00	√	1,712	CZ6K17VC1	49	115/208-230	4.5	1.15	13.70	S, US, 12
1 1/2	1800	145TC	121624.00	C/A	1,739	CZ145K17WC2	53	115/208-230	7.4	1.15	14.87	S, US, 13
2	1800	145TC	121633.00	C/A	2,000	CZ145K17WC1	57	115/208-230	10.0	1.15	14.87	S, US, 13

C/A - Check Availability
Note 12 - TENV
Note 13 - TEFC

♥ Note listing on inside back flap
Specifications are subject to change without notice



Washguard® Motors

Stainless Steel Brakemotors & JM Pump Motors

Pump Motors

Washguard Motors

Agricultural Duty Motors

HVAC / Fan Motors

Special Voltage Motors

Definite Purpose Motors

Brake Motors

IEC Motors

DC Motors

Stainless Steel Brakemotors

Three Phase - TENV - C Face With Base

HP	SYN RPM 60 Hz	NEMA Frame	Brake Rating (ft. lbs)	Catalog Number	Stock	List Price	Model Number	App. Wgt. (lbs)	Voltage	F. L. Amps @ 230 V	% FL. Eff.	Service Factor	"C" Dim. (Inches)	♥Notes
1/2	1800	56C	3	116483.00	√	5,503	CZ6T17VK31	59	208-230/460	1.6	78.5	1.15	15.85	S, US, 12
1	1800	56C	6	119785.00	√	6,197	CZ6T17VK61	65	208-230/460	3.2	85.5	1.15	15.56	S, US, 12

Green items are Premium Efficient

Note 12 - TENV

♥ Note listing on inside back flap Specifications are subject to change without notice



Stainless Steel JM Pump Motors

Three Phase - TEFC - JM Pump - C Face With Base

HP	SYN RPM 60 Hz	NEMA Frame	Catalog Number	Stock	List Price	Model Number	App. Wgt. (lbs)	Voltage	F. L. Amps @ 230 V	% FL. Eff.	Service Factor	"C" Dim. (Inches)	♥Notes
1	1800	143JM	G121626.00	D	1,635	CZ143T17WK18	55	208-208-230/460	3.0	82.5	1.15	16.00	S, US
1	1800	143JM	122208.00	√	1,782	CZ143T17WK22	59	208-230/460	3.2	85.5	1.15	16.00	S, US
1 1/2	3600	143JM	G121627.00	D	1,636	CZ143T34WK11	55	208-208-230/460	4.0	82.4	1.15	16.00	S, US
1 1/2	3600	143JM	122210.00	√	1,780	CZ143T34WK12	58	208-208-230/460	4.0	84.0	1.15	16.00	S, US
1 1/2	1800	145JM	122209.00	C/A	1,818	CZ145T17WK61	58	208-208-230/460	4.8	86.5	1.15	16.00	S, US
2	3600	145JM	G121629.00	D	1,944	CZ145T34WK24	56	208-208-230/460	5.2	84.0	1.15	16.00	S, US
2	3600	145JM	122212.00	C/A	2,119	CZ145T34WK40	59	208-208-230/460	4.8	85.5	1.15	16.50	S, US
2	1800	145JM	122211.00	√	2,142	CZ145T17WK59	60	208-208-230/460	5.8	86.5	1.15	17.00	S, US
3	3600	145JM	122213.00	√	2,558	CZ145T34WK41	62	208-208-230/460	8.0	86.5	1.15	16.50	S, US
3	1800	182JM	G131996.00	D	2,472	C182T17WK16	85	208-208-230/460	8.2	87.5	1.15	16.20	S, MX
3	1800	182JM	132450.00	√	2,713	C182T17WK19	90	208-230/460	3.9	89.5	1.15	16.20	S, MX
5	3600	184JM	G131997.00	D	2,726	C184T34WK14	90	208-208-230/460	12.0	87.5	1.15	16.20	S, MX
5	3600	184JM	132451.00	√	2,992	C184T34WK17	97	208-230/460	12.0	88.5	1.15	16.77	S, MX
5	1800	184JM	132452.00	√	2,993	C184T17WK23	103	208-230/460	12.6	89.5	1.15	17.27	S, MX
7 1/2	3600	213JM	141274.00	C/A	4,608	C213T34WK8	167	208-230/460	18.6	89.5	1.15	19.81	S, MX
7 1/2	1800	213JM	141273.00	C/A	4,665	C213T17WK18	169	208-230/460	19.6	91.7	1.15	19.81	S, MX
10	3600	215JM	141275.00	C/A	4,813	C215T34WK14	169	208-230/460	23.6	90.2	1.15	19.81	S, MX
10	1800	215JM	141276.00	√	4,824	C215T17WK17	178	208-230/460	26.4	91.7	1.15	19.81	S, MX

Green items are Premium Efficient

D - Item to be discontinued once inventory is depleted
C/A - Check Availability

♥ Note listing on inside back flap Specifications are subject to change without notice



Washguard® Motors

IEC Washguard All-Stainless AC Motors



IEC B5 Flange - Round Body - Three Phase - TENV/TEFC

HP/kW	SYN RPM 60 Hz	IEC Frame	Catalog Number	Stock	List Price	Model Number	App. Wgt. (lbs)	Voltage	F. L. Amps @ 230 V	% FL. Eff.	Service Factor	"C" Dim. (Inches)	♥Notes
1/3-0.25	1800	71	103403.00	√	1,455	CZ4T17VZ16	30	208-230/460	1.3	70.5	1.15	9.87	S, US, 12
1/3-0.25	1800	80	103405.00	√	1,455	CZ4T17VZ17	30	208-230/460	1.3	70.5	1.15	9.87	S, US, 12
1/2-0.37	1800	71	103404.00	√	1,504	CZ4T17VZ6	32	208-230/460	1.6	76.0	1.15	11.62	S, US, 12
1/2-0.37	1800	80	103406.00	√	1,504	CZ4T17VZ7	32	208-230/460	1.6	76.0	1.15	11.62	S, US, 12
3/4-0.55	1800	80	103407.00	√	1,595	CZ4T17WZ9	38	208-230/460	2.3	77.0	1.15	12.26	S, US, 13
1 - 0.75	1800	90	119507.00	√	1,855	CZ6T17WC55	47	208-230/460	3.2	85.5	1.15	12.59	S, US, 13
1.5 - 1.1	1800	90	119508.00	√	1,942	CZ6T17WC60	52	208-230/460	4.8	86.5	1.15	13.09	S, US, 13
2 - 1.5	1800	90	119509.00	√	2,117	CZ6T17WC59	49	208-230/460	5.8	86.5	1.15	13.84	S, US, 13

Green items are Premium Efficient

Note 12 - TENV
Note 13 - TEFC

♥ Note listing on inside back flap
Specifications are subject to change without notice

Pump Motors

Washguard Motors

Agricultural Duty Motors

HVAC / Fan Motors

Special Voltage Motors

Definite Purpose Motors

Brake Motors

IEC Motors

DC Motors



IEC B14 Flange - Round Body - Three Phase - Totally Enclosed

HP/kW	SYN RPM 60 Hz	IEC Frame	Catalog Number	Stock	List Price	Model Number	App. Wgt. (lbs)	Voltage	F. L. Amps @ 230 V	% FL. Eff.	Service Factor	"C" Dim. (Inches)	♥Notes
1/3-0.25	1800	71	103395.00	√	1,455	CZ4T17VZ13	30	208-230/460	1.3	70.5	1.15	9.83	S, US, 12
1/3-0.25	1800	80	103397.00	√	1,455	CZ4T17VZ14	30	208-230/460	1.3	70.5	1.15	9.72	S, US, 12
1/2-0.37	1800	71	103396.00	√	1,504	CZ4T17VZ3	32	208-230/460	1.6	76.0	1.15	11.58	S, US, 12
1/2-0.37	1800	80	103398.00	√	1,504	CZ4T17VZ4	32	208-230/460	1.6	76.0	1.15	11.58	S, US, 12
3/4-0.55	1800	80	103399.00	√	1,595	CZ4T17WZ7	38	208-230/460	2.3	77.0	1.15	12.48	S, US, 13

Note 12 - TENV
Note 13 - TEFC

♥ Note listing on inside back flap
Specifications are subject to change without notice

IEC B3/ B5 Flange - Rigid Base - Three Phase - Totally Enclosed

HP/kW	SYN RPM 60 Hz	IEC Frame	Catalog Number	Stock	List Price	Model Number	App. Wgt. (lbs)	Voltage	F. L. Amps @ 230 V	% FL. Eff.	Service Factor	"C" Dim. (Inches)	♥Notes
1/3-0.25	1800	80	103408.00	√	1,480	CZ4T17VZ18	30	208-230/460	1.3	70.5	1.15	9.50	S, US, 12
1/2-0.37	1800	80	103409.00	√	1,526	CZ4T17VZ8	32	208-230/460	1.6	76.0	1.15	12.75	S, US, 12
3/4-0.55	1800	80	103410.00	√	1,627	CZ4T17WZ10	38	208-230/460	2.3	77.0	1.15	12.26	S, US, 13

Note 12 - TENV
Note 13 - TEFC

♥ Note listing on inside back flap
Specifications are subject to change without notice

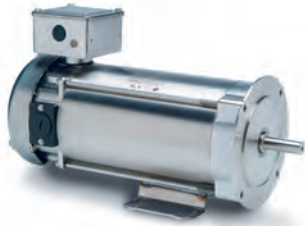
IEC B3 / B14 Flange - Rigid Base - Three Phase - Totally Enclosed

HP/kW	SYN RPM 60 Hz	IEC Frame	Catalog Number	Stock	List Price	Model Number	App. Wgt. (lbs)	Voltage	F. L. Amps @ 230 V	% FL. Eff.	Service Factor	"C" Dim. (Inches)	♥Notes
1/3-0.25	1800	80	103400.00	√	1,504	CZ4T17VZ15	31	208-230/460	1.3	70.5	1.15	9.72	S, US, 12
1/2-0.37	1800	80	103401.00	√	1,662	CZ4T17VZ5	33	208-230/460	1.6	76.0	1.15	11.58	S, US, 12
3/4-0.55	1800	80	103402.00	√	1,722	CZ4T17WZ8	39	208-230/460	2.3	77.0	1.15	12.48	S, US, 13

Note 12 - TENV
Note 13 - TEFC

♥ Note listing on inside back flap
Specifications are subject to change without notice





Washguard® Motors
NEMA® and IEC Washguard
All-Stainless DC Motors - SCR Rated
IP 55 Enclosure Protection

Pump
Motors

Washguard
Motors

Agricultural
Duty Motors

HVAC / Fan
Motors

Special Voltage
Motors

Definite
Purpose Motors

Brake Motors

IEC Motors

DC Motors

TEFC - SCR Rated 90 & 180V - NEMA - C Face With Base

HP	Full Load RPM	NEMA Frame	Catalog Number	Stock	List Price	Model Number	App. Wgt. (lbs)	Arm. Volts DC	Control Volts AC Input	F. L. Amps DC	"C" Dim. (Inches)	♥Notes
1/4	1750	S56C	109065.00	√	1,420	4D17VK24	38	90	115	3.1	11.81	S, US, 12
1/3	1750	S56C	109066.00	√	1,501	4D17VK25	44	90	115	3.8	12.81	S, US, 12
1/3	1750	S56C	109067.00	√	1,501	4D17VK26	44	180	230	1.9	12.81	S, US, 12
1/2	1750	S56C	109069.00	√	1,754	4D17WK9	46	90	115	5.2	13.87	S, US, 13
1/2	1750	S56C	109070.00	√	1,754	4D17WK10	46	180	230	2.7	13.87	S, US, 13
3/4	1750	S56C	109072.00	√	2,136	4D17WK13	47	90	115	7.5	15.37	S, US, 13
3/4	1750	S56C	109073.00	√	2,136	4D17WK14	48	180	230	3.7	15.37	S, US, 13
1	1750	S56C	109075.00	√	2,478	4D17WK16	51	90	115	9.5	16.37	S, US, 13
1	1750	S56C	109076.00	√	2,478	4D17WK17	50	180	230	5.0	16.37	S, US, 13

Base is welded to frame and not removable
 Note 12 - TENV
 Note 13 - TEFC

♥ Note listing on inside back flap
 Specifications are subject to change without notice



TEFC - SCR Rated 90 & 180V • NEMA - C Face Less Base

HP	Full Load RPM	NEMA Frame	Catalog Number	Stock	List Price	Model Number	App. Wgt. (lbs)	Arm. Volts DC	Control Volts AC Input	F. L. Amps DC	"C" Dim. (Inches)	♥Notes
1/4	1750	S56C	109078.00	√	1,386	4D17VC5	38	90	115	3.1	11.81	S, US, 12
1/3	1750	S56C	109079.00	√	1,468	4D17VC6	44	90	115	3.8	12.81	S, US, 13
1/3	1750	S56C	109080.00	√	1,468	4D17VC7	44	180	230	1.9	12.81	S, US, 13
1/2	1750	S56C	109082.00	√	1,722	4D17WC2	46	90	115	5.2	13.87	S, US, 13
1/2	1750	S56C	109083.00	√	1,722	4D17WC3	46	180	230	2.7	13.87	S, US, 13
3/4	1750	S56C	109085.00	√	2,103	4D17WC5	47	90	115	7.5	15.37	S, US, 13
3/4	1750	S56C	109086.00	√	2,103	4D17WC6	48	180	230	3.7	15.37	S, US, 13
1	1750	S56C	109088.00	√	2,447	4D17WC8	51	90	115	9.5	16.37	S, US, 13
1	1750	S56C	109089.00	√	2,447	4D17WC9	50	180	230	5.0	16.37	S, US, 13

Base is welded to frame and not removable
 Note 12 - TENV
 Note 13 - TEFC

♥ Note listing on inside back flap
 Specifications are subject to change without notice

Washguard® Motors

Metric (IEC) Frame PMDC Motors
All-Stainless DC Motors - SCR Rated
IP55 Enclosure Protection



TEFC - SCR Rated 90 & 180V - C Face With Base

HP/kW	Full Load RPM	IEC Frame	Catalog Number	Stock	List Price	Model Number	App. Wgt. (lbs)	Arm. Volts DC	Control Volts AC Input	F. L. Amps DC	"C" Dim. (Inches)	♥Notes
1/3 - 0.25	1750	80D	109068.00	√	1,501	4D17VK27	44	180	230	1.9	12.81	S, US, 12
1/2 - 0.37	1750	80D	109071.00	√	1,754	4D17WK11	46	180	230	2.7	13.87	S, US, 13
3/4 - 0.55	1750	80D	109074.00	√	2,136	4D17WK15	48	180	230	3.7	15.37	S, US, 13
1 - 0.75	1750	80D	109077.00	√	2,478	4D17WK18	50	180	230	5.0	16.37	S, US, 13

Base is welded to frame and not removable

Note 12 - TENV

Note 13 - TEFC

♥ Note listing on inside back flap
 Specifications are subject to change without notice

TEFC - SCR Rated 90 & 180V - Metric (IEC) - All-Stainless Steel - C Face Less Base

HP/kW	Full Load RPM	IEC Frame	Catalog Number	Stock	List Price	Model Number	App. Wgt. (lbs)	Arm. Volts DC	Control Volts AC Input	F. L. Amps DC	"C" Dim. (Inches)	♥Notes
1/3 - 0.25	1750	80D	109081.00	√	1,468	4D17VC8	44	180	230	1.9	12.81	S, US, 12
1/2 - 0.37	1750	80D	109084.00	√	1,722	4D17WC4	46	180	230	2.7	13.87	S, US, 13
3/4 - 0.55	1750	80D	109087.00	√	2,103	4D17WC7	48	180	230	3.7	15.37	S, US, 13
1 - 0.75	1750	80D	109090.00	√	2,447	4D17WC10	50	180	230	5.0	16.37	S, US, 13

Note 12 - TENV

Note 13 - TEFC

♥ Note listing on inside back flap
 Specifications are subject to change without notice

Flange And Face Kits For DC Metric (IEC) Frame Motors

The modular design concept of LEESON's other metric DC motors has been applied to the all-stainless metric motors. Any flange or face kit can mount on any motor. This allows the greatest flexibility from the smallest inventory of motors.

B5 Flange Kits (For Stainless DC Metric Motors)

IEC Frame	Catalog Number	List Price	App. Wgt. (lbs)	BD Flange Dia. (mm)	AK Register (mm)	BF Hole (mm)	AJ Bolt Circle (mm)
71	175593.00	189	2	160	110	9	130
80	175594.00	228	3	200	130	12	165
90S/90L	175594.00	228	3	200	130	12	165
100L/112M	175595.00	356	5	250	180	15	215

Specifications are subject to change without notice

B14 Flange Kits (For Stainless DC Metric Motors)

IEC Frame	Catalog Number	List Price	App. Wgt. (lbs)	BD Flange Dia. (mm)	AK Register (mm)	BF Hole (mm)	AJ Bolt Circle (mm)
71	175596.00	144	1	105	70	6	85
80	175597.00	144	1	120	80	6	100
90S/90L	175598.00	392	1	140	95	6	115
100L/112M	175599.00	356	2	160	110	6	130

Specifications are subject to change without notice





Washguard® Motors

Extreme Duck® Ultra Washguard All-Stainless Motors

Three Phase - Standard, EPAct & NEMA® Premium Ratings



General Specifications:

These revolutionary designed stainless steel motors are built using our “Voice of the customer” design criteria to withstand extreme washdown and sanitation requirements of the food processing, pharmaceutical, packaging and beverage industries. Our innovative hydro sealed system “HS2” protects from the “outside-in” by reducing entrance points of contaminants and eliminates the need for drain plugs and breathers. This proven process also minimizes exterior hardware, which may trap application elements. Our unique rotor/cartridge seal system, “Q-CAR”, gives quick access to the interior of the motor should the need arise. 300-Series Stainless Steel used on all exterior surfaces gives ideal protection against severe chemical-processing applications and frequent washdown processes using salt water, nitric acids and solvents.

Mechanical Protection Features:

- Q-Car™ rotor cartridge design for quick access to the interior
- Full-face nameplate etched in frame
- Double-sealed ball bearings with high temperature grease
- Non-wicking lead wires
- Two-piece shaft seal with flinger
- Color-coded motor leads
- Chemical and abrasion resistant lead markers
- Conduit box rotates 360 degrees on TEFC models
- Conduit box lead hole location rotatable on TEFC designs
- NEMA Premium efficiency - 1 HP and above
- Enhanced encapsulation process
- IP69K enclosure protection

Electrical Performance and Protection Features:

- Total winding encapsulation using an epoxy resin
- LEESON's exclusive IRIS® Inverter-Rated Insulation System provides extra protection and long life, especially when used in applications driven by an Inverter
- 3 year warranty
- 10:1 constant torque operation

Standards and Approvals

- Motors are UL component recognized – file number E57948, guide number PRGY2
- CSA Energy Efficiency Verification Program, report number EEV 78720-1
- Construction is CSA Certified for safety, report number LR33543 and listed under BISSC authorization number 769

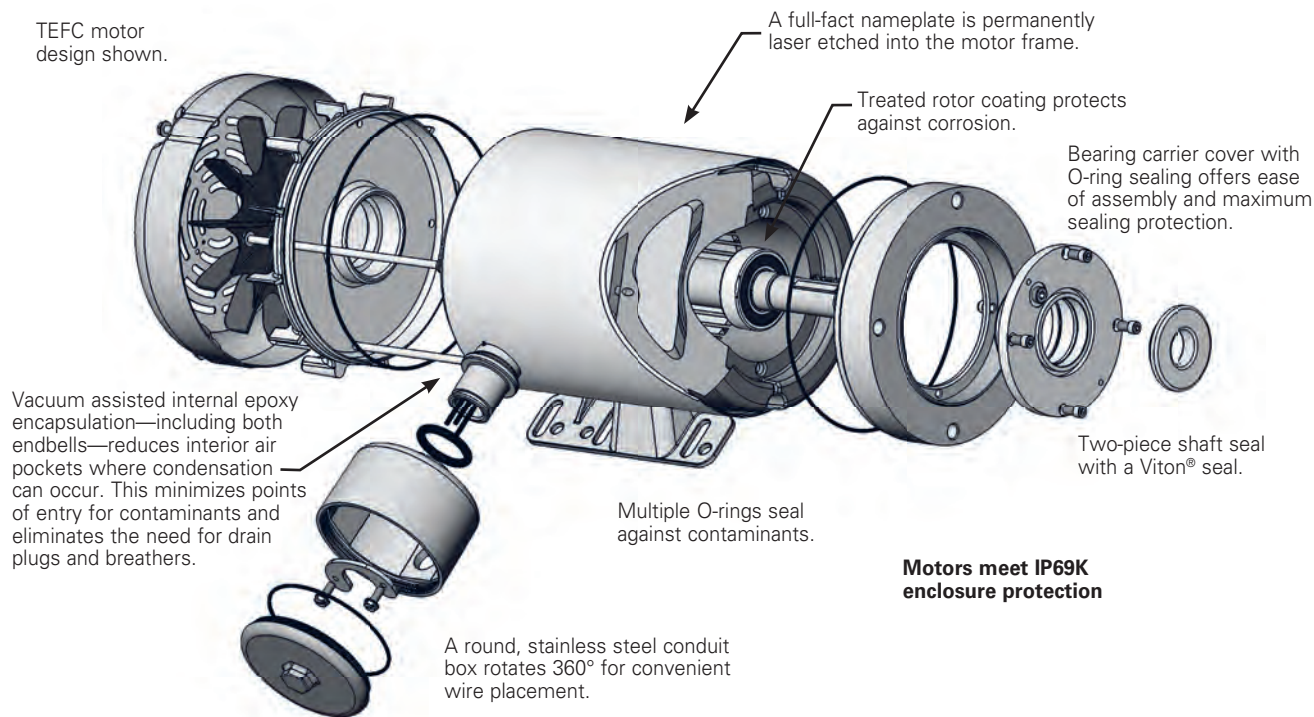
Washguard® Motors

Extreme Duck® Ultra Washguard All-Stainless Motors
Three Phase - Standard, NEMA® Premium



ExtremeDuckUltra

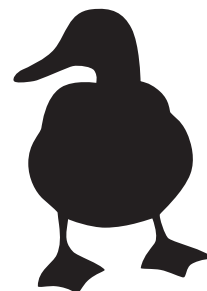
300 Series stainless steel components include the frame, base, conduit box cover, endshields and bearing carrier cover. It's the perfect motor design for extreme washdown conditions.



The all new Extreme. It's not your average duck.

- **Extreme** Sealing
- **Extreme** Durability
- **Extreme** Confidence

The New ExtremeDuckUltra.





Washguard® Motors

Extreme Duck® Ultra Washguard All-Stainless Motors Three Phase - Standard, EPAct & NEMA® Premium Ratings

Three Phase - Totally Enclosed - C Face With Base - IP69K

HP	SYN RPM 60 Hz	NEMA Frame	Catalog Number	Stock	List Price	Model Number	App. Wgt. (lbs)	Voltage	F. L. Amps @ 230 V	% F.L. Eff.	Service Factor	"C" Dim. (Inches)	♥Notes
1/2	3600	56C	117118.00	√	1,572	CZ6T34VK16	39	208-230/460	1.6	82.5	1.15	10.47	S, US, 12
1/2	1800	S56C	103411.00	√	1,555	CZ4T17VK1	33	208-230/460	1.6	76.0	1.15	11.49	S, US, 12
1/2	1800	56C	117119.00	√	1,654	CZ6T17VK43	40	208-230/460	1.6	78.5	1.15	10.72	S, US, 12
1/2	1200	56C	119266.00	√	1,765	CZ6T11VK7	43	208-230/460	2.3	77.0	1.15	11.71	S, US, 12
3/4	3600	56C	117120.00	√	1,627	CZ6T34VK17	46	208-230/460	2.4	84.0	1.15	10.47	S, US, 12
3/4	1800	S56C	103412.00	√	1,654	CZ4T17WK2	39	208-230/460	2.3	77.0	1.15	12.50	S, US, 13
3/4	1800	56C	117121.00	√	1,717	CZ6T17VK44	47	208-230/460	2.3	80.0	1.15	11.22	S, US, 12
3/4	1200	56C	119267.00	√	1,823	CZ6T11VK8	50	208-230/460	3.0	78.5	1.15	12.69	S, US, 12
1	3600	56C	117122.00	√	1,747	CZ6T34VK18	48	208-230/460	2.6	85.5	1.15	10.97	S, US, 12
1	1800	56C	119975.00	√	1,904	CZ6T17VK75	53	208-230/460	—	85.5	1.15	—	S, US, 12
1	1800	56C	119511.00	√	1,904	CZ6T17WK51	53	208-230/460	3.2	85.5	1.15	11.94	S, US, 13
1	1800	143TC	122219.00	√	1,929	CZ143T17VK5	55	208-230/460	3.2	85.5	1.15	12.00	S, US, 13
1	1200	56C	119268.00	D	1,860	CZ6T11WK9	53	208-230/460	4.2	78.5	1.15	12.69	S, US, 13
1	1200	56C	119513.00	√	2,089	CZ6T11WK13	55	208-230/460	3.8	82.5	1.15	12.69	S, US, 13
1 1/2	3600	143TC	G121748.00	D	1,854	CZ143T34WK4	54	208-230/460	4.0	82.5	1.15	11.00	S, US, 13
1 1/2	3600	143TC	121879.00	√	1,983	CZ143T34WK8	54	208-230/460	4.0	84.0	1.15	11.75	S, US, 13
1 1/2	1800	56C	117296.00	D	1,847	CZ6T17WK30	56	208-230/460	4.4	84.0	1.15	11.69	S, US, 13
1 1/2	1800	56C	119522.00	√	1,965	CZ6T17WK57	58	208-230/460	4.8	86.5	1.15	12.69	S, US, 13
1 1/2	1800	145TC	121880.00	√	1,976	CZ143T17WK13	56	208-230/460	4.4	86.5	1.15	12.75	S, US, 13
2	3600	145TC	121881.00	√	2,292	CZ145T34WK19	56	208-230/460	5.2	85.5	1.15	12.75	S, US, 13
2	1800	56HC	119523.00	√	2,305	CZ6T17WK53	61	208-230/460	5.8	86.5	1.15	13.19	S, US, 13
2	1800	145TC	121882.00	√	2,316	CZ145T17WK34	57	208-230/460	5.6	86.5	1.15	13.25	S, US, 13
3	3600	56C	119526.00	√	2,372	CZ6T34WK37	62	208-230/460	8.0	86.5	1.15	12.69	S, US, 13

Green items are Premium Efficient

D - Item to be discontinued once inventory is depleted

Note 12 - TENV

Note 13 - TEFC

♥ Note listing on inside back flap
Specifications are subject to change without notice

Pump Motors

Washguard Motors

Agricultural Duty Motors

HVAC / Fan Motors

Special Voltage Motors

Definite Purpose Motors

Brake Motors

IEC Motors

DC Motors

Washguard® Motors

Extreme Duck® Ultra Washguard All-Stainless Motors
Three Phase - Standard, EAct & NEMA® Premium Ratings



Three Phase - Totally Enclosed - C Face Less Base - IP69K

HP	SYN RPM 60 Hz	NEMA Frame	Catalog Number	Stock	List Price	Model Number	App. Wgt. (lbs)	Voltage	F. L. Amps @ 230 V	% F.L. Eff.	Service Factor	"C" Dim. (Inches)	♥Notes
1/3	1800	48C	103417.00	√	1,577	CZ4T17VC8	30	208-230/460	1.3	70.5	1.15	9.58	S, US, 12
1/2	3600	56C	117126.00	√	1,540	CZ6T34VC19	38	208-230/460	1.6	82.5	1.15	10.47	S, US, 12
1/2	1800	48C	103418.00	√	1,642	CZ4T17VC2	32	208-230/460	1.6	76.0	1.15	11.33	S, US, 12
1/2	1800	S56C	103413.00	√	1,460	CZ4T17VC1	32	208-230/460	1.6	76.0	1.15	11.49	S, US, 12
1/2	1800	56C	117127.00	√	1,623	CZ6T17VC53	39	208-230/460	1.6	78.5	1.15	10.72	S, US, 12
3/4	3600	56C	117128.00	√	1,595	CZ6T34VC20	45	208-230/460	2.4	84.0	1.15	10.47	S, US, 12
3/4	1800	S56C	103414.00	C/A	1,549	CZ4T17WC2	38	208-230/460	2.3	77.0	1.15	12.50	S, US, 13
3/4	1800	56C	117129.00	√	1,688	CZ6T17VC54	46	208-230/460	2.3	80.0	1.15	11.22	S, US, 12
1	3600	56C	117130.00	√	1,715	CZ6T34VC21	47	208-230/460	2.6	85.5	1.15	10.97	S, US, 12
1	1800	56C	119976.00	√	1,902	CZ6T17VC74	—	208-230/460	—	85.5	1.15	—	S, US, 12
1	1800	56C	119512.00	√	1,902	CZ6T17WC53	54	208-230/460	3.2	85.5	1.15	12.19	S, US, 13
1 1/2	3600	143TC	121750.00	D	1,824	CZ143T34WC2	53	208-230/460	4.0	82.5	1.15	11.00	S, US, 13
1 1/2	3600	143TC	121908.00	√	1,950	CZ143T34WC6	53	208-230/460	4.0	84.0	1.15	11.75	S, US, 13
1 1/2	1800	56C	119520.00	√	1,940	CZ6T17WC53	56	208-230/460	4.8	86.5	1.15	0.00	S, US, 13
1 1/2	1800	145TC	121751.00	D	1,817	CZ143T17WC5	55	208-230/460	4.4	84.0	1.15	11.25	S, US, 13
1 1/2	1800	145TC	121909.00	√	1,945	CZ143T17WC11	55	208-230/460	4.4	86.5	1.15	12.75	S, US, 13
2	3600	145TC	121910.00	√	2,260	CZ145T34WC18	55	208-230/460	5.2	85.5	1.15	12.75	S, US, 13
2	1800	145TC	121911.00	√	2,284	CZ145T17WC36	56	208-230/460	5.6	86.5	1.15	13.25	S, US, 13
2	1800	56C	119524.00	√	2,274	CZ6T17WC376	60	208-230/460	5.8	86.5	1.15	13.19	S, US, 13
3	3600	56C	119525.00	√	2,353	CZ6T34WC375	61	208-230/460	8.0	86.5	1.15	12.94	S, US, 13

Green items are Premium Efficient

D - Item to be discontinued once inventory is depleted

C/A - Check Availability

Note 12 - TENV

Note 13 - TEFC

♥ Note listing on inside back flap
 Specifications are subject to change without notice

Pump Motors

Washguard Motors

Agricultural Duty Motors

HVAC / Fan Motors

Special Voltage Motors

Definite Purpose Motors

Brake Motors

IEC Motors

DC Motors





Washguard® Motors

Extreme Duck® Ultra Motors with Shaft Grounding Rings (SGRs)

SGRs help prevent bearing damage when running motors with AC Controls



Pump Motors

Washguard Motors

Agricultural Duty Motors

HVAC / Fan Motors

Special Voltage Motors

Definite Purpose Motors

Brake Motors

IEC Motors

DC Motors

Three Phase - Totally Enclosed - Rigid C Face - IP69K

HP	SYN RPM 60 Hz	NEMA Frame	Catalog Number	Stock	List Price	Model Number	App. Wgt. (lbs)	Voltage	F. L. Amps @ 230 V	% F.L. Eff.	Service Factor	"C" Dim. (Inches)	♥Notes
1/2	1800	56C	117906.00	√	1,746	CZ6T17VK55	40	208-230/460	1.6	78.5	1.15	10.72	S, US, 12
3/4	1800	56C	117907.00	√	1,807	CZ6T17VK56	47	208-230/460	2.3	80.0	1.15	11.22	S, US, 12
1	1800	56C	119527.00	√	1,976	CZ6T17FK112	55	208-230/460	3.2	85.5	1.15	11.97	S, US, 13
1 1/2	1800	56C	119528.00	√	2,019	CZ6T17WK389	58	208-230/460	4.8	85.5	1.15	12.69	S, US, 13
1 1/2	1800	145TC	122221.00	√	2,032	CZ143T17WK23	59	208-230/460	4.8	86.5	1.15	12.75	S, US, 13
2	1800	56C	119529.00	√	2,359	CZ6T17WK55	61	208-230/460	5.8	86.5	1.15	13.19	S, US, 13
2	1800	145TC	122222.00	√	2,359	CZ145T17WK60	62	208-230/460	5.8	86.5	1.15	13.25	S, US, 13
3	3600	56C	119530.00	√	2,459	CZ6T34WK36	64	208-230/460	8.0	86.5	1.15	13.19	S, US, 13

Green items are Premium Efficient

Note 12 - TENV
Note 13 - TEFC

♥ Note listing on inside back flap
Specifications are subject to change without notice

Three Phase - Totally Enclosed - C Face Less Base - IP69K

HP	SYN RPM 60 Hz	NEMA Frame	Catalog Number	Stock	List Price	Model Number	App. Wgt. (lbs)	Voltage	F. L. Amps @ 230 V	% F.L. Eff.	Service Factor	"C" Dim. (Inches)	♥Notes
3	3600	56C	119531.00	√	2,441	CZ6T34WC34	62	208-230/460	8.0	86.5	1.15	13.19	S, US, 13
3	1800	56C	122118.00	D	2,392	CZ145T17WC42	61	208-230/460	8.6	82.5	1.15	13.19	S, US, 13

Green items are Premium Efficient

D - Item to be discontinued once inventory is depleted
Note 13 - TEFC
Note: No Premium Eff. replacement for 122118.00

♥ Note listing on inside back flap
Specifications are subject to change without notice



**DE-FEATHERING****SCALDING****FEEDING****CUTTING****PROCESSING****SLICING****INSPECTION****DE-BONING**

There's a LEESON® Washguard® Motor for every location in your facility.

LEESON offers more than 200 off-the-shelf solutions to everyday washdown motor needs. What's more, LEESON offers washdown-rated gear reducers and AC and DC controls to complement our washdown motor line. And, when you need a specially engineered custom solution to your washdown application, think LEESON. Our flexible manufacturing processes enable custom products to be manufactured in small or large quantities.

THE MOTORS THAT **STAND UP TO WASHDOWN.**

LEESON® WASHGUARD® MOTORS FEATURES AT A GLANCE



FEATURE	WHITE DUCK	WASHGUARD II	SST DUCK	STAINLESS DUCK	EXTREME DUCK® ULTRA
SEALING ADVANTAGES					
Complete motor encapsulation					■
Interior corrosion protection	■	■	■	■	■
Motor breather plugs/drain plugs	■	■	■	■	Not needed for total encapsulation
Shaft seals on both ends of TEFC motors	■	■	■	■	■
Two-piece shaft seal					■
Viton®* seals between endbells and frame				■	■
O-ring sealed openings				■	■
Potted lead entrance					■
INSTALLATION AND MAINTENANCE					
Color-coded leads					■
Non-wicking lead wires					■
Sealed bearings	■	■	■	■	■
Internally locked shaft-end bearing	■	■	■	■	■
Screw-on conduit box cover				■ ①	■
360° rotatable conduit box					■
Q-Car rotor cartridge change-out				■	■
CERTIFICATIONS					
Nameplate permanently etched in frame			■	■	■
60Hz and 50Hz data on nameplate	■	■	■	■	■
CE mark on nameplate	■	■	■	■	■
Standard motors built with Inverter-rated Insulation System and marked on nameplate (1 HP and higher)	■	■	■	■	■
IP Ratings	IP55	IP55	IP55	IP56	IP69K
UL, CSA listed	■	■	■	■	■
BISCC approved		■			■
SPECIAL CONSIDERATIONS					
Pump motor designs	■			■	
Brakemotor designs	■			■	
DC motors available	■			■	
Metric designs available				■	■
3-year warranty	■ ②	■ ②	■ ②	■ ②	■
Local inventory support	■	■	■	■	■

① 56/143/145T Frame Ratings ② Premium Efficient Motors

EXTREME DUCK ULTRA HANDLES THE HARSHTEST WASHDOWN ENVIRONMENTS.

1. Poultry processing plants.
2. Cheese processing plants.
3. Water bottling plants.
4. Conveying for bottling industry for breweries.
5. Chemical processing plants.
6. Pharmaceutical plants.
7. Brewery equipment.
8. Seafood processing plants.

General Purpose & Definite Purpose - Agricultural Duty Motors

Pump
Motors

Washguard
Motors

Agricultural
Duty Motors

HVAC / Fan
Motors

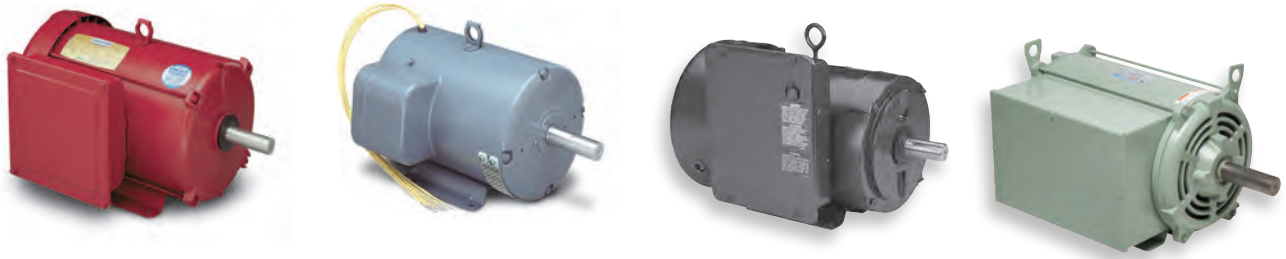
Special Voltage
Motors

Definite
Purpose
Motors

Brake Motors

IEC Motors

DC Motors



- Gasketed capacitor cases and conduit box covers
- Meets or exceeds NEMA® service factors
- Single phase and three phase designs
- Double sealed ball bearings
- Double shielded ball bearings on ag fan motors
- Condensate drains on general purpose ag motors
- Low temperature manual overload protected
- High and extra high starting torque ratings
- UL recognized component listing and CSA certified
- 1-year warranty
- 15HP - 1 Phase, TEFC, crop dryer motor - [NEW page 199](#)

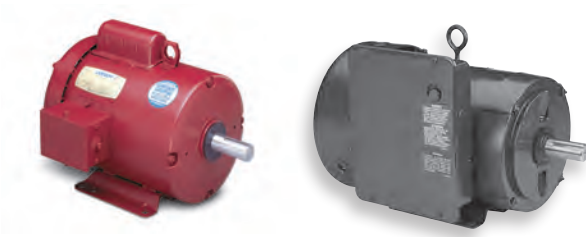
Applications:

For use where exposure to water, dust and dirt exists. Ideally suited for use in farm / ag equipment such as feeders, conveyors, fans, grain elevators, silo unloaders, and other demanding farm duty equipment.



Agricultural Duty Motors

High Torque - General Purpose



Single Phase - TEFC - Rigid Base

HP	SYN RPM 60 Hz	NEMA Frame	▼ Catalog Number	Stock	List Price	Model Number	App. Wgt. (lbs)	Voltage	Over- load Prot.	F. L. Amps @ 230V	Service Factor	"C" Dim. (Inches)	♥Notes
1/3	1800	56	113256.00	√	508	M6C17FB66	20	115/208-230	Man.	3.2	1.15	10.81	S, US
1/3	1800	56	LM24789	√	512	SRF4S0.33T1C6028AP7TP1	24	115/208-230	Man.	3.3	1.15	12.82	S, MX
1/2	1800	56	110086.00	√	590	M6C17FB11	22	115/208-230	Man.	4.4	1.15	10.81	S, US
1/2	1800	56	LM24790	√	601	SRF4S0.5T1C6028AP7TP1	25	115/208-230	Man.	4.4	1.15	11.82	S, MX
3/4	1800	56	110087.00	√	698	M6C17FB9	26	115/208-230	Man.	5.4	1.15	11.31	S, US
3/4	1800	56	LM24791	√	706	SRF4S0.75T1C6028AP7TP1	30	115/208-230	Man.	5.5	1.15	12.32	S, MX
1	1800	56	110088.00	√	802	M6C17FB10	30	115/208-230	Man.	7.0	1.15	11.81	S, US
1	1800	56	LM24792	√	807	SRF4S1T1C6028AP7TP1	32	115/208-230	Man.	6.7	1.15	12.82	S, MX
1	1800	143T	121569.00	√	807	M143C17FB13	30	115/208-230	Man.	7.0	1.15	12.75	S, US
1	1800	143T	LM24793	√	826	SSF4S1T1C6028AP7TP1	35	115/208-230	Man.	6.7	1.15	12.87	S, MX
1 1/2	1800	56H	110089.00	√	894	M6K17FB3	41	115/208-230	Man.	8.6	1.15	12.61	S, US
1 1/2	1800	56H	LM24794	√	911	SRF4S1.5T1B6028AP7TP1	41	115/208-230	Man.	7.6	1.15	13.82	S, MX
1 1/2	1800	56HZ	113938.00	√	910	M6K17FB39	39	115/208-230	Man.	8.6	1.15	13.25	S, US, 3, 53
1 1/2	1800	145T	LM24795	√	911	SSF4S1.5T1B6028AP7TP1	42	115/208-230	Man.	7.6	1.15	13.87	S, MX
2	1800	56HZ	110090.00	√	1,282	M6K17FB4	43	230	Man.	9.2	1.15	13.75	S, US, 3, 53
2	1800	182T	131541.00	√	1,366	P182C17FB12	50	115/208-230	Man.	12.4	1.15	14.46	S, MX
3	1800	184T	131542.00	√	1,431	P184C17FB13	83	230	Man.	19.0	1.15	16.46	S, MX
3	1800	184T	LM24797	√	1,396	SS184F4S3T1C66AP7TP1	92	230	Man.	19.0	1.15	16.46	S, MX
5	1800	184T	131543.00	√	1,794	P184K17FB16	96	230	Man.	20.5	1.15	17.46	S, MX, 53
5	1800	184T	LM24798	C/A	1,826	SSF4S5T1B66AP71TP1	90	230	Man.	20.5	1.15	17.46	S, MX, 53
7 1/2	1800	215T	140707.00	√	2,143	P215K17FB15	144	230	Man.	32.0	1.15	20.21	S, MX, 53
7 1/2	1800	215T	LM24799	√	2,251	SS215F4S75T1B66AP7TP1	130	230	Man.	30.0	1.15	21.09	S, MX, 53
10	1800	215T	140706.00	√	2,510	P215K17FB16	152	230	Man.	40.0	1.15	20.71	S, MX, 53

▼ LM Numbers are Lincoln Models
C/A - Check Availability

♥ Note listing on inside back flap
Specifications are subject to change without notice



Pump Motors
Washguard Motors
Agricultural Duty Motors
HVAC / Fan Motors
Special Voltage Motors
Definite Purpose Motors
Brake Motors
IEC Motors
DC Motors

Agricultural Duty Motors

ECO Ag® - Premium Efficient Farm Duty Motors

Features:

- Up to 22% higher efficiency than standard Ag Motors
- Sealed bearings
- Shaft flinger - output shaft
- High starting torque
- Manual overload protected
- Weep holes provide condensation drains



Single Phase - TEFC - Rigid Base

HP	SYN RPM 60 Hz	NEMA Frame	Catalog Number	Stock	List Price	Model Number	App. Wgt. (lbs)	Voltage	Over-load Prot.	F. L. Amps @ 230V	% FL. Eff.	Service Factor	"C" Dim. (Inches)	♥Notes
1/3	1800	56	117689.00	√	556	M6K17FB56	27	115/208-230	Man.	1.7	76.0	1.15	10.99	S, US, 53
1/2	1800	56	117690.00	√	638	M6K17FB57	30	115/208-230	Man.	2.5	78.0	1.15	11.49	S, US, 53
3/4	1800	56	117691.00	√	767	M6K17FB60	35	115/208-230	Man.	3.2	82.0	1.15	11.99	S, US, 53
1	1800	56	117692.00	√	864	M6K17FB58	37	115/208-230	Man.	4.2	83.0	1.15	12.49	S, US, 53
1	1800	143T	121973.00	√	875	M143K17FB3	38	115/208-230	Man.	4.2	83.0	1.15	12.93	S, US, 53
1 1/2	1800	56H	117693.00	√	983	M6K17FB59	43	115/208-230	Man.	6.5	84.0	1.15	13.49	S, US, 53
1 1/2	1800	145T	121974.00	√	1,000	M143K17FB4	44	115/208-230	Man.	6.5	84.0	1.15	13.93	S, US, 53
2	1800	145T	121975.00	√	1,354	M145K17FB29	49	230	Man.	8.2	85.0	1.15	14.43	S, US, 53

Green items are Premium Efficient

♥ Note listing on inside back flap
Specifications are subject to change without notice

Three Phase Ag Duty Motors - Eco Ag® Designs

Features:

- Premium efficient designs
- Double sealed ball bearings
- Shaft flinger - output shaft
- Normally closed thermostat protected
- Weep holes provide condensation drains



Three Phase - TEFC - Rigid Base

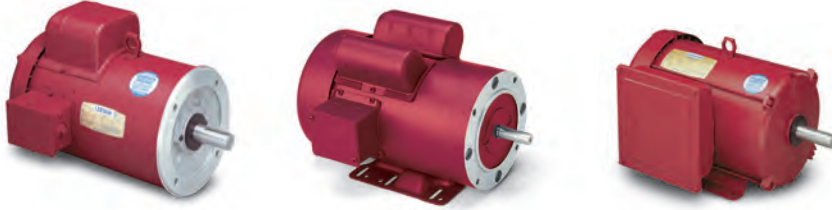
HP	SYN RPM 60 Hz	NEMA Frame	Catalog Number	Stock	List Price	Model Number	App. Wgt. (lbs)	Voltage	Over-load Prot.	F. L. Amps @ 230V	% FL. Eff.	Service Factor	"C" Dim. (Inches)	♥Notes
1/2	1800	56	117772.00	√	620	C6T17FB163	30	208-230/460	T-stat	1.8	77.0	1.15	11.31	S, US
3/4	1800	56	117759.00	√	680	C6T17FB160	31	208-230/460	T-stat	2.4	81.5	1.15	11.31	S, US
1	1800	56	117760.00	√	833	C6T17FB161	32	230/460	T-stat	3.2	85.5	1.15	12.81	S, US
1 1/2	1800	56H	117761.00	√	848	C6T17FB162	34	230/460	T-stat	4.8	86.5	1.15	13.31	S, US
1 1/2	1800	145T	121997.00	√	862	C145T17FB98	35	230/460	T-stat	4.8	86.5	1.15	13.75	S, US
2	1800	145T	121998.00	√	898	C145T17FB99	45	230/460	T-stat	5.8	86.5	1.15	14.76	S, US
3	1800	184T	132328.00	√	1,013	C182T17FB54	80	230/460	T-stat	7.8	89.5	1.15	14.96	S, MX
5	1800	184T	132329.00	√	1,112	C184T17FB67	94	230/460	T-stat	12.8	89.5	1.15	15.96	S, MX
7 1/2	1800	213T	141145.00	√	1,425	C213T17FB22	144	230/460	T-stat	21.4	91.7	1.15	18.70	S, MX
10	1800	215T	141146.00	√	1,722	C215T17FB23	161	230/460	T-stat	29.0	91.7	1.15	19.70	S, MX

Green items are Premium Efficient

♥ Note listing on inside back flap
Specifications are subject to change without notice

Agricultural Duty Motors

Hi-Torque and Extra Hi-Torque



Single Phase - TEFC - Rigid Base - Extra Hi-Torque - 5, 7 1/2 & 10 HP

HP	SYN RPM 60 Hz	NEMA Frame	▼ Catalog Number	Stock	List Price	Model Number	App. Wgt. (lbs)	Voltage	Over-load Prot.	F. L. Amps @ 230V	Service Factor	"C" Dim. (Inches)	♥Notes
2	1800	182T	131541.00	√	1,366	P182C17FB12	50	115/208-230	Man.	12.4	1.15	14.46	S, MX
3	1800	184T	131542.00	√	1,431	P184C17FB13	83	230	Man.	19.0	1.15	16.46	S, MX
5	1800	184T	LM24802	√	1,762	SSF4S5TB6008AP8TP1	125	208-230	Man.	22.5	1.15	17.36	S, MX
5	1800	213TZ	LM24803	√	2,146	SS213F4S5TZB66AP8TP1-1	126	230	Man.	22.6	1.15	18.34	S, MX, 53
5	1800	215T	140203.00	√	2,185	P215K17FB3	119	230	Man.	24.0	1.15	18.71	S, MX, 53
5	1800	215TZ	140223.00	√	2,188	P215K17FB5	150	230	Man.	24.0	1.15	18.71	S, MX, 4, 53
7 1/2	1800	215T	140130.00	√	2,336	P215K17FB2	144	230	Man.	33.6	1.15	20.21	S, MX, 53
7 1/2	1800	215TZ	140209.00	√	2,517	P215K17FB4	141	230	Man.	33.6	1.15	20.21	S, MX, 4, 53
7 1/2	1800	215TZ	LM24804	√	2,384	SS215F4S7.5TZ1B66AP8TP1-1	125	230	Man.	30.5	1.15	21.09	S, MX, 53
10	1800	215T	140414.00	√	2,738	P215K17FB6	156	230	Man.	40.0	1.15	20.71	S, MX, 53
10	1800	215T	LM24805	√	2,689	SSF4S10T1B66AP8TP1	150	230	Man.	30.5	1.00	21.09	S, MX, 53

▼ LM Numbers are Lincoln Models

♥ Note listing on inside back flap Specifications are subject to change without notice

Single Phase - TEFC - High Torque - C Face Less Base

HP	SYN RPM 60 Hz	NEMA Frame	Catalog Number	Stock	List Price	Model Number	App. Wgt. (lbs)	Voltage	Over-load Prot.	F. L. Amps @ 230V	Service Factor	"C" Dim. (Inches)	♥Notes
1/3	1800	56C	113290.00	√	671	M6C17FC59	28	115/208-230	Man.	3.2	1.15	10.81	S, US
1/2	1800	56C	110492.00	√	768	M6C17FC12	22	115/208-230	Man.	4.4	1.15	10.81	S, US
3/4	1800	56C	110493.00	√	899	M6C17FC13	29	115/208-230	Man.	5.4	1.15	11.31	S, US
1	1800	56C	110494.00	√	1,019	M6C17FC14	33	115/208-230	Man.	7.0	1.15	11.81	S, US
1 1/2	1800	56C	110495.00	√	1,158	M6K17FC3	43	115/208-230	Man.	8.6	1.15	12.31	S, US, 53
2	1800	145TC	120855.00	√	1,503	M145K17FC13	45	230	Man.	9.2	1.15	13.75	S, US, 53
3	1800	184TC	131603.00	√	2,038	P184C17FC5	104	230	Man.	19.0	1.15	16.47	S, MX
5	1800	184TC	131602.00	√	2,500	P184K17FC7	104	230	Man.	20.5	1.15	17.47	S, MX, 53

♥ Note listing on inside back flap Specifications are subject to change without notice

Single Phase - TEFC - High Torque - C Face With Base

HP	SYN RPM 60 Hz	NEMA Frame	Catalog Number	Stock	List Price	Model Number	App. Wgt. (lbs)	Voltage	Over-load Prot.	F. L. Amps @ 230V	Service Factor	"C" Dim. (Inches)	♥Notes
1/3	1800	56C	116485.00	√	695	M6C17FK81	29	115/208-230	Man.	3.2	1.15	10.81	S, US
1/2	1800	56C	116486.00	√	798	M6C17FK80	23	115/208-230	Man.	4.4	1.15	10.81	S, US
3/4	1800	56C	116487.00	√	927	M6C17FK79	30	115/208-230	Man.	5.4	1.15	11.31	S, US
1	1800	56C	116488.00	√	1,053	M6C17FK78	34	115/208-230	Man.	7.0	1.15	11.81	S, US
1 1/2	1800	56HC	116489.00	√	1,185	M6K17FK47	44	115/208-230	Man.	8.6	1.15	12.81	S, US, 53
2	1800	145TC	121625.00	√	1,510	M145K17FK11	46	230	Man.	9.2	1.15	13.75	S, US, 53
3	1800	184TC	131994.00	√	2,076	P184C17FK10	105	230	Man.	19.0	1.15	16.47	S, MX
5	1800	184TC	131995.00	√	2,512	P184K17FK13	105	230	Man.	20.5	1.15	17.47	S, MX, 53

♥ Note listing on inside back flap Specifications are subject to change without notice



Pump Motors
Washguard Motors
Agricultural Duty Motors
HVAC / Fan Motors
Special Voltage Motors
Definite Purpose Motors
Brake Motors
IEC Motors
DC Motors

Agricultural Duty Motors

Fan Duty - Single and Three Phase

Two-Winding Variable Torque PSC Type For Shaft Mounted Fan Application

Features:

- Variable torque
- PSC type for shaft mounted fan applications
- Listed speed or two speed operation using the proper auxiliary switch - reference drawing 005210.01
- Extended through-bolts
- Epoxy painted



Single Phase - TEAO - Resilient Base - PSC Type

HP	SYN RPM 60 Hz	NEMA Frame	Catalog Number	Stock	List Price	Model Number	App. Wgt. (lbs)	Voltage	Over-load Prot.	F. L. Amps @ 230V	Service Factor	"C" Dim. (Inches)	♥Notes
1/4	1625	48Z	100803.00	√	393	A4P17NR1	19	115/230	Auto.	1.4	1.0	10.66	S, MX, 16, 34
1/4	1075	48Z	100824.00	√	445	A4P11NR2	20	115/230	Auto.	1.4	1.0	10.66	S, MX, 16, 34
1/4	1075	S56Z	100805.00	√	492	A4P11NJ1	22	115/230	Auto.	1.4	1.0	11.06	S, MX, 17, 34
1/3	1625	48Z	100804.00	√	409	A4P17NR2	21	115/230	Auto.	1.6	1.0	10.66	S, MX, 16, 34
1/3	1625	S56H	100767.00	√	472	A4P17NJ1	22	115/230	Auto.	1.6	1.0	10.31	S, MX, 34
1/3	1625	56HY	111348.00	√	515	A6P17NZ6	24	115/230	Auto.	1.7	1.0	13.44	S, US, 59
1/3	1075	48Z	100825.00	√	483	A4P11NR3	25	115/230	Auto.	1.8	1.0	11.16	S, MX, 16, 34
1/3	1075	S56HZ	100806.00	√	518	A4P11NJ2	27	115/230	Auto.	1.8	1.0	11.56	S, MX, 17, 34
1/2	1625	56HZ	111323.00	√	588	A6P17NR3	30	115/230	Auto.	2.6	1.0	12.56	S, US, 17, 34
1/2	1625	S56H	100768.00	√	485	A4P17NJ2	36	115/230	Auto.	2.2	1.0	10.81	S, MX, 34
1/2	1075	48Z	101645.00	√	521	A4P11NR6	33	115/230	Auto.	2.8	1.0	11.16	S, MX, 16, 34
1/2	1075	56HZ	111321.00	√	611	A6P11NR1	37	115/230	Auto.	3.0	1.0	13.56	S, US, 17, 34
1/2	850	48YZ	A099836.00	√	525	A48P8NR2	24	115/230	Auto.	3.0	1.0	11.55	S, MX, 19, 34, 50
1/2	825	56HZ	111919.00	√	685	A6P8NR2	40	115/230	Auto.	3.2	1.0	13.56	S, US, 17, 34, 50
3/4	1625	56HZ	111324.00	√	644	A6P17NR4	34	115/230	Auto.	3.5	1.0	13.06	S, US, 17
3/4	1625	56H	111266.00	√	644	A6P17NR1	36	115/230	Auto.	3.5	1.0	12.31	S, US
3/4	1075	56HZ	111322.00	√	692	A6P11NR2	44	115/230	Auto.	4.0	1.0	13.56	S, US, 17, 50
1	1625	56HZ	111267.00	√	720	A6P17NR2	39	115/230	Auto.	4.4	1.0	12.81	S, US

♥ Note listing on inside back flap
Specifications are subject to change without notice

Single Phase - TEAO - Rigid Base - PSC Type

HP	SYN RPM 60 Hz	NEMA Frame	Catalog Number	Stock	List Price	Model Number	App. Wgt. (lbs)	Voltage	Over-load Prot.	F. L. Amps @ 230V	Service Factor	"C" Dim. (Inches)	♥Notes
1/4	1750	48Y	101252.00	√	375	A4P17NB27	19	115/208-230	Auto.	1.5	1.0	10.90	S, MX, 50
1/4	1625	48Y	100699.00	√	375	A4P17NB7	19	115/230	Auto.	1.4	1.0	10.65	S, MX
1/4	1075	48Y	M099260.00	√	391	A4P11NB23	21	115/230	Auto.	1.2	1.0	10.83	S, CN
1/4	1075	48Y	A099260.00	√	391	A4P11NB52	21	115/230	Auto.	1.5	1.0	10.65	S, MX
1/3	1750	48Y	101253.00	√	425	A4P17NB28	22	115/208-230	Auto.	1.9	1.0	10.65	S, MX, 50
1/3	1625	48Y	100700.00	√	425	A4P17NB8	22	115/230	Auto.	1.6	1.0	10.65	S, MX
1/3	1625	56Y	111202.00	√	490	A6P17NZ1	24	115/230	Auto.	1.7	1.0	12.00	S, US, 58
1/3	1140	S56Y	100604.00	√	461	A4P11NH1	23	115/208-230	Auto.	1.8	1.0	11.40	S, MX
1/3	1075	48Y	M099261.00	√	461	A4P11NB24	21	115/230	Auto.	1.5	1.0	11.34	S, CN
1/3	1075	48Y	A099261.00	√	496	A4P11NB53	21	115/230	Auto.	1.8	1.0	10.90	S, MX
1/2	1750	S56Y	101176.00	√	467	A4K17NH2	26	115/230	Auto.	3.5	1.0	10.40	S, MX, 50, 54
1/2	1750	48Y	100701.00	√	456	A4P17NB9	29	115/230	Auto.	2.5	1.0	12.15	S, MX
1/2	1075	48Y	A099946.00	√	478	A4P11NB54	26	115/230	Auto.	2.5	1.0	11.90	S, MX
3/4	1075	56HZ	A099847.00	√	682	A6P11NB5	35	115/230	Auto.	3.7	1.0	13.56	S, MX

♥ Note listing on inside back flap
Specifications are subject to change without notice



Agricultural Duty Motors

Lincoln Agricultural Fan Motors

Typically used in poultry houses or barn exhaust fans

Features:

- TEAO designs - continuous duty
- Extended thru-bolts
- 1/2" dia. x 2 1/2" long shaft with flats, 90° apart
- Fully gasketed
- Automatic overload protected
- Must be mounted in airstream for proper cooling



Single Phase - PSC - TEAO - Resilient Base

HP	SYN RPM 60 Hz	NEMA Frame	▼ Catalog Number	Stock	List Price	Model Number	App. Wgt. (lbs)	Voltage	Over-load Prot.	F. L. Amps @ 230V	Service Factor	"C" Dim. (Inches)	♥Notes
1/4	1625	48Z	LM24445	√	630	SPA4S0.25TZRY1A6027AP11-1	20	115/230	Auto.	1.8	1.0	11.06	S, MX
1/4	1625	48Z	LM24447	C/A	487	SPA4S0.25TZRY1A6027AP10-1	17	115/230	Auto.	1.6	1.0	10.09	S, MX
1/3	1625	48Z	LM24450	√	691	SPA4S0.33TZRY1A6027AP11-1	23	115/230	Auto.	1.9	1.0	11.81	S, MX
1/3	1625	48Z	LM24448	√	537	SPA4S0.33TZRY1A6027AP10-1	17	115/230	Auto.	2.2	1.0	10.09	S, MX
1/3	1075	48Z	LM24443	√	668	SPA6S0.33TZRY1A6027AP10-1	15	115/230	Auto.	2.1	1.0	10.84	S, MX
1/2	1625	48Z	LM24446	√	767	SPA4S0.5TZRY1A6027AP11-1	23	115/230	Auto.	2.7	1.0	11.81	S, MX
1/2	1625	48Z	LM24449	√	593	SPA4S0.5TZRY1A6027AP10-1	21	115/230	Auto.	3.0	1.0	10.84	S, MX
1/2	1075	48Z	LM24444	√	767	SPA6S0.5TZRY1A6027AP10-1	19	115/230	Auto.	3.2	1.0	10.84	S, MX

▼ LM Numbers are Lincoln Models
C/A - Check Availability

♥ Note listing on inside back flap
Specifications are subject to change without notice

Aeration Fan Motors

Features:

- Belt driven fans or fan on shaft applications
- Capacitor start designs
- Must be mounted in airstream for proper cooling
- Epoxy paint to resist corrosion
- Single-phase models have built-in terminal boards



Single Phase - Capacitor Start - TEAO - Rigid Base

HP	SYN RPM 60 Hz	NEMA Frame	Catalog Number	Stock	List Price	Model Number	App. Wgt. (lbs)	Voltage	F. L. Amps @ 230V	Service Factor	"C" Dim. (Inches)	♥Notes
3/4	3450	56Z	111332.00	√	488	C6C34NB15	27	115/230	5.0	1.0	10.90	S, US, 22
1	3450	56Z	111333.00	√	580	C6C34NB16	29	115/230	6.0	1.0	10.90	S, US, 22
1 1/2	3450	56Z	111949.00	√	749	C6C34NB19	32	115/230	8.5	1.0	11.40	S, US, 22
1 1/2	3450	143TZ	120374.00	√	806	C143C34NB1	31	115/230	8.5	1.0	11.84	S, US, 22
2	3450	145TZ	120375.00	√	981	C145C34NB1	41	230	10.0	1.0	13.34	S, US, 23
3	3450	145T	120376.00	√	1,033	C145K34NB1	45	230	12.8	1.0	13.84	S, US, 53

♥ Note listing on inside back flap
Specifications are subject to change without notice



Pump Motors
Washguard Motors
Agricultural Duty Motors
HVAC / Fan Motors
Special Voltage Motors
Definite Purpose Motors
Brake Motors
IEC Motors
DC Motors

Agricultural Duty Motors

Aeration Fan Motors

Features:

- Belt driven fans or fan on shaft applications
- Capacitor start designs
- Must be mounted in airstream for proper cooling
- Epoxy paint to resist corrosion
- Single-phase models have built-in terminal boards



Three Phase - TEAO - Rigid Base

HP	SYN RPM 60 Hz	NEMA Frame	Catalog Number	Stock	List Price	Model Number	App. Wgt. (lbs)	Voltage	F. L. Amps @ 230V	Service Factor	"C" Dim. (Inches)	♥Notes
3/4	3450	56Z	111334.00	√	501	C6T34NB18	21	208-208-230/460	2.4	1.0	9.9	S, US, 22
1	3450	56Z	111335.00	√	543	C6T34NB19	22	208-208-230/460	3.2	1.0	9.9	S, US, 22
1 1/2	3450	143TZ	120377.00	√	623	C143T34NB2	31	208-208-230/460	4.2	1.0	11.34	S, US, 22
2	3450	145TZ	120378.00	√	738	C145T34NB1	34	208-208-230/460	5.6	1.0	11.84	S, US, 22
3	3450	145T	120379.00	√	828	C145T34NB2	38	208-230/460	7.6	1.0	12.34	S, US, 23

♥ Note listing on inside back flap
Specifications are subject to change without notice

Grain Dryer / Centrifugal Fan Motor

Features:

- 268% starting torque
- Oversized sealed bearings
- Rodent screen protection
- Rolled steel frame with cast iron endbells
- Epoxy painted
- 91.2% efficient



Single Phase - ODP - 230 Volt - Rigid Base

HP	SYN RPM 60 Hz	NEMA Frame	Catalog Number	Stock	List Price	Model Number	App. Wgt. (lbs)	Voltage	F. L. Amps @ 230V	Service Factor	"C" Dim. (Inches)	♥Notes
16	1800	256TZ	851034.00	√	3,960	C254K17DB1	308	230	62.9	1.15	25.52	S, MX

♥ Note listing on inside back flap
Specifications are subject to change without notice

Agricultural Duty Motors

Crop Dryer Motors

Used on crop dryers with air over/fan on shaft designs

Features:

- Class "F" insulation system
- Overload protected
- Keyed shaft with 1/4-20 UNC tapped hole on end
- 34" long leads
- Capacitors shipped loose on 1-phase 215 TZ designs
- Motor venting protected against insects and rodents
- Double sealed ball bearings



Single Phase - Drip-Proof Air Over - Rigid Base

HP	SYN RPM 60 Hz	NEMA Frame	▼ Catalog Number	Stock	List Price	Model Number	App. Wgt. (lbs)	Voltage	Over-load Prot.	F. L. Amps @ 230V	Service Factor	"C" Dim. (Inches)	♥Notes
3-4.5	3600	145TZ	LM24778	√	1,308	SSD2S3-4.5TZ1B66QS10-1	46	230	Auto	13-19	1.50	13.74	S, MX
5 - 7	3600	182TZ	131847.00	√	1,536	C182C34DB2	91	230	T-Stat	27.2-35	1.00	16.44	S, MX
7.5-10	3600	182TZ	131848.00	√	1,707	C182K34DB4	95	230	T-Stat	31-42	1.00	16.44	S, MX
7 - 10	3600	184TZ	LM24780	√	2,139	SSD2S7-10TZ1B66QS11-1	102	230	T-Stat	31-42	1.40	15.94	S, MX
7-9	3600	184TZ	LM24781	C/A	1,733	SSD2S7-9TZ1C66QS11-1	88	230	T-Stat	31-42	1.30	15.50	S, MX
10 - 15	3600	215TZ	140640.00	√	2,624	C215K34DB2	159	230	T-Stat	39.5-61.5	1.00	20.42	S, MX
10 - 15	3600	215TZ	LM24782	√	2,717	SS215D2S10-15TZ1C66QS11-1	135	230	T-Stat	39.5-61.5	1.50	18.16	S, MX
10 - 15	3600	215TZ	141084.00	√	2,624	C215K34DB3	159	230	T-Stat	40-59	1.00	20.08	S, MX, 52

▼ LM Numbers are Lincoln Models
Note 52 - Extra High Starting Torque
C/A - Check Availability

♥ Note listing on inside back flap
Specifications are subject to change without notice

Grain Dryer / Centrifugal Fan Motor

Features:

- 335% starting torque & 89% efficient
- Oversized sealed bearings
- Epoxy paint
- Rolled steel with cast iron endbells
- Colored leads



NEW!

Single Phase - TEFC - 230 Volt - Rigid Base

HP	SYN RPM 60 Hz	NEMA Frame	Catalog Number	Stock	List Price	Model Number	App. Wgt. (lbs)	Voltage	F. L. Amps @ 230V	Service Factor	"C" Dim. (Inches)	♥Notes
15	1800	256TZ	851150.00	√	3,219	C256K17FB1	309	208-230	58	1.0	28.65	S, MX

♥ Note listing on inside back flap
Specifications are subject to change without notice

Grain Dryer / Centrifugal Fan Motor

Three Phase - Drip-Proof Air Over - Rigid Base

HP	SYN RPM 60 Hz	NEMA Frame	Catalog Number	Stock	List Price	Model Number	App. Wgt. (lbs)	Voltage	Over-load Prot.	F. L. Amps @ 230V	Service Factor	"C" Dim. (Inches)	♥Notes
5-7.5	3600	184TZ	131849.00	√	1,244	C184T34DB8	70	208-208-230/460	T-Stat	19.0	1.00	13.94	S, MX
7.5-10	3600	184TZ	131850.00	√	1,452	C184T34DB9	85	208-208-230/460	T-Stat	24.2	1.00	15.44	S, MX
10 - 15	3600	215TZ	140641.00	√	1,751	C215T34DB3	95	208-220/440	T-Stat	40.0	1.50	17.41	S, MX

♥ Note listing on inside back flap
Specifications are subject to change without notice



Pump Motors

Washguard Motors

Agricultural Duty Motors

HVAC / Fan Motors

Special Voltage Motors

Definite Purpose Motors

Brake Motors

IEC Motors

DC Motors

Agricultural Duty Motors

Grain Dryer / Centrifugal Fan Motor

Pump
Motors

Washguard
Motors

Agricultural
Duty Motors

HVAC / Fan
Motors

Special Voltage
Motors

Definite
Purpose Motors

Brake Motors

IEC Motors

DC Motors

Single Phase - TEFC - Rigid Base

HP	SYN RPM 60 Hz	NEMA Frame	Catalog Number	Stock	List Price	Model Number	App. Wgt. (lbs)	Voltage	Over- load Prot.	F. L. Amps @ 230V	Service Factor	"C" Dim. (Inches)	♥Notes
7 1/2	1800	215TZ	141348.00	√	2,517	C215K17FB74	150	230	Man.	30.5	1.15	20.21	S, MX
10	1800	215T	141311.00	√	2,738	C215K17FB73	158	230	Man.	40.0	1.15	21.72	S, MX

**Specially designed for crop dryer applications
having vibration dampening centrifugal switch**

♥ Note listing on inside back flap
Specifications are subject to change without notice

NEW!

Three Phase - TEAO - Rigid Base

HP	SYN RPM 60 Hz	NEMA Frame	Catalog Number	Stock	List Price	Model Number	App. Wgt. (lbs)	Voltage	Over- load Prot.	F. L. Amps @ 230V	Service Factor	"C" Dim. (Inches)	♥Notes
5 - 7	3600	184TZ	132393.00	√	1,294	C184T34NB3	100	208-230/460	T-Stat	13.1 - 16.5	1.00	15.38	S, MX
7.5 - 10	3600	184TZ	132394.00	√	1,443	C184T34NB4	107	208-230/460	T-Stat	19.7 - 24.8	1.00	17.38	S, MX

♥ Note listing on inside back flap
Specifications are subject to change without notice

NEW!

Single Phase - 230 Volt - TEAO - Rigid Base

HP	SYN RPM 60 Hz	NEMA Frame	Catalog Number	Stock	List Price	Model Number	App. Wgt. (lbs)	Voltage	Over- load Prot.	F. L. Amps @ 230V	Service Factor	"C" Dim. (Inches)	♥Notes
3-4.5	3600	145TZ	122122.00	√	1,082	C145K34NB6	50	230	T-Stat	11.8 ♣	1.00	14.46	S, US, 53
5-7	3600	182TZ	132391.00	√	1,367	C182K34NB106	102	230	T-Stat	28.0 ♣	1.00	17.44	S, MX, 53
7.5-10	3600	182TZ	132392.00	√	1,589	C182K34NB107	108	230	T-Stat	38.0 ♣	1.00	17.44	S, MX, 53
10-15	3600	215TZ	141220.00	√	1,992	C215K34NB73	136	230	T-Stat	68.5 ♣	1.00	18.17	S, MX, 53

♣ amp listing is at higher HP

♥ Note listing on inside back flap
Specifications are subject to change without notice



Agricultural Duty Motors

Grain Dryer / Centrifugal Fan Motors

Used in ag fan and blower applications.
Screens used to protect against entry of pests and and silage



Features:

- NEMA® Premium and EAct efficiency
- Rodent screens
- Re-greasable bearings
- Cast Iron construction
- 1" longer shaft than NEMA standard
- Inverter duty insulation system
- UL Recognized and CSA certified

Three Phase - Open Drip-Proof (ODP) - Rigid Base

HP	SYN RPM 60 Hz	NEMA Frame	Catalog Number	Stock	List Price	Model Number	App. Wgt. (lbs)	Voltage	F. L. Amps @ 230V	F.L. EFF.	"C" Dim. (Inches)	♥Notes
10	1800	215TZ	171861.60	√	1,683	C215T17DB69	168	230/460	25.6	91.7	17.90	C, CN
15	1800	254T	170540.60	D	2,264	C254T17DB45	279	230/460	37.0	93.0	20.94	C, CN
15	1800	254TZ	171862.60	√	2,264	C254T17DB48	279	230/460	37.0	93.0	20.94	C, CN
20	1800	256T	170541.60	D	2,761	C256T17DB10	324	230/460	51.0	93.0	22.60	C, CN
20	1800	256TZ	171863.60	√	2,761	C256T17DB15	324	230/460	51.0	93.0	22.60	C, CN
25	1800	284TZ	171864.60	√	3,637	C284T17DB15	388	230/460	59.6	93.6	23.54	C, CN
30	1800	286T	170542.60	D	3,718	C286T17DB13	471	230/460	71.0	94.1	25.00	C, CN
30	1800	286TZ	171865.60	√	3,718	C286T17DB16	471	230/460	71.0	94.1	25.00	C, CN

Shaded model numbers are cast iron frame

♥ Note listing on inside back flap
Specifications are subject to change without notice

Green items are Premium Efficient

D - Item to be discontinued once inventory is depleted

Grain Dryer / Centrifugal Fan Motors

Features:

- 1" longer shaft than NEMA standard
- Shaft seals both ends
- Epoxy painted
- Premium efficient
- N/C T-stats

NEW!

Three Phase - TEFC - Rigid Base

HP	SYN RPM 60 Hz	NEMA Frame	Catalog Number	Stock	List Price	Model Number	App. Wgt. (lbs)	Voltage	F. L. Amps @ 230V	F.L. EFF.	"C" Dim. (Inches)	♥Notes
3	1800	182TZ	171845.60	√	1,266	C182T17FK49	113	230/460	7.8	90.2	17.60	C, CN
5	1800	184TZ	171846.60	√	1,310	C184T17FK50	121	230/460	12.8	89.5	18.30	C, CN
7 1/2	1800	213TZ	171847.60	√	1,618	C213T17FK48	156	230/460	18.6	91.7	19.70	C, CN
10	1800	215TZ	171848.60	√	1,935	C215T17FK48	188	230/460	25.0	91.7	21.10	C, CN
15	1800	254TZ	171841.60	√	2,649	C254T17FK18	295	230/460	36.0	92.4	24.70	C, CN
20	1800	256TZ	171842.60	√	3,380	C256T17FK18	336	230/460	49.0	93.0	26.40	C, CN
25	1800	284TZ	171843.60	√	3,934	C284T17FK15	406	230/460	59.0	93.6	27.26	C, CN
30	1800	286TZ	171844.60	√	4,691	C286T17FK17	456	230/460	70.0	94.1	28.83	C, CN

Shaded model numbers are cast iron frame

♥ Note listing on inside back flap
Specifications are subject to change without notice

Green items are Premium Efficient



Agricultural Duty Motors

Tobacco Barn Motors

Used in tobacco barns and other applications that require a fan motor in a high ambient condition.

Features:

- Drip-proof airover designs
- Class H insulation for high ambient conditions
- 80° C ambient rated
- 120 inch leads
- Oversized double sealed bearings
- 1/4-20 tapped hole at end of shaft



Single Phase - DPAO - Rigid Base

HP	SYN RPM 60 Hz	Frame	Catalog Number	Stock	List Price	Model Number	App. Wgt. (lbs)	Voltage	F. L. Amps @ 230V	Service Factor	"C" Dim. (Inches)	♥Notes
7 1/2	1800	215TVZ	140830.00	√	1,921	215TBDW17041	125	230	34.5	1.15	20.71	S, MX
10	1800	215TVZ	140816.00	√	2,862	C215K17DB13	150	230	44.0	1.15	19.70	S, MX

♥ Note listing on inside back flap
Specifications are subject to change without notice

Grain Stirring Motors

Used in grain stirring systems inside grain bins.

Features:

- TEFC, continuous duty
- High torque designs
- Rugged 205 bearing, shaft end
- Vertical shaft up design with drain hole
- 7/8" Dia. shaft



Single Phase - Rigid Base - TEFC

HP	SYN RPM 60 Hz	Frame	▼ Catalog Number	Stock	List Price	Model Number	App. Wgt. (lbs)	Voltage	Over-load Prot.	F. L. Amps @ 230V	Service Factor	"C" Dim. (Inches)	♥Notes
1 1/2	1800	56HZ	111330.00	√	954	P6K17FB18	42	115/208-230	Man.	8.6	1.00	12.31	S, US, 53
1 1/2	1800	56HZ	LM24521	C/A	956	SRF4S1.5TZ1B6028AP9-2	47	115/208-230	Man.	7.6	1.15	13.21	S, US, 53
2	1800	56HZ	1110012.00	√	1,282	P6K17FB67	48	115/208-230	Man.	9.2	1.0	13.39	S, US, 53

▼ LM Numbers are Lincoln Models
C/A - Check Availability

♥ Note listing on inside back flap
Specifications are subject to change without notice

Three Phase - Rigid Base - TEFC

HP	SYN RPM 60 Hz	Frame	Catalog Number	Stock	List Price	Model Number	App. Wgt. (lbs)	Voltage	F. L. Amps @ 230V	% F.L. EFF	Service Factor	"C" Dim. (Inches)	♥Notes
1 1/2	1800	56HZ	119533.00	√	1,086	M6T17FB197	40	230/460	5.4	86.5	1.00	11.81	S, US, 53

Green items are Premium Efficient

♥ Note listing on inside back flap
Specifications are subject to change without notice

Agricultural Duty Motors

Catfish Pond Motors

Designed for outdoor pond aeration applications

Features:

- High torque designs
- Epoxy painted for corrosion protection
- Double sealed ball bearings
- Drain holes provided to purge condensation



Single Phase and Three Phase - C Face With Base - TEFC

HP	SYN RPM 60 Hz	Frame	Catalog Number	Stock	List Price	Model Number	App. Wgt. (lbs)	Voltage	Over-load Prot.	Phase	F. L. Amps @ 230V	Service Factor	"C" Dim. (Inches)	♥Notes
10	1800	215TC	140705.00	√	2,898	P215K17FK5	204	230	Man.	1	40.0	1.15	20.71	S, MX
10	1800	215TC	140833.00	C/A	1,744	C215T17FK19	169	230/460	None	3	23.6	1.15	19.7	S, MX

Green items are Premium Efficient

♥ Note listing on inside back flap Specifications are subject to change without notice

Irrigation Booster Pump Motors

Used in agricultural duty irrigation systems

Features:

- Threaded jet pump motor shaft
- Vertical Shaft down design
- Rain canopy provided
- Epoxy painted for corrosion protection
- Neoprene shaft flinger



Three Phase - Irrigation Booster - TEFC

HP	SYN RPM 60 Hz	NEMA Frame	Catalog Number	Stock	List Price	Model Number	App. Wgt. (lbs)	Voltage	F. L. Amps @ 460V	Service Factor	"C" Dim. (Inches)	♥Notes
2	3600	56J	119534.00	√	1,041	A6T34FC34	35	460	2.8	1.5	14.34	S, US

Green items are Premium Efficient

♥ Note listing on inside back flap Specifications are subject to change without notice

Irrigation Booster Pump Motors

Features:

- Double-sealed ball bearings
- Designed for vertical shaft down applications
- Rain canopy protects against water contamination



Three Phase - C Face Less Base - TEFC

HP	SYN RPM 60 Hz	NEMA Frame	Catalog Number	Stock	List Price	Model Number	App. Wgt. (lbs)	Voltage	F. L. Amps @ 460V	Service Factor	"C" Dim. (Inches)	♥Notes
1	1800	56C	119535.00	√	1,005	A6T17FC35	32	460	1.6	1.3	12.34	S, US

Green items are Premium Efficient

♥ Note listing on inside back flap Specifications are subject to change without notice



Pump Motors

Washguard Motors

Agricultural Duty Motors

HVAC / Fan Motors

Special Voltage Motors

Definite Purpose Motors

Brake Motors

IEC Motors

DC Motors

Agricultural Duty Motors

Milk Transfer Pump Motor

Features:

- Replacements for SURGE milk pumps
- Washguard® motor features for high pressure washdown applications
- Epoxy painted and stainless ratings available for corrosion protection
- Capacitor supplied loose with motor 113939.00
- Motors 119227.00 & 119231.00 are capacitor start -induction run motors
- Solid state encapsulated starting switch on capacitor start motors
- Three phase motor is inverter rated



Single Phase - Rigid Base - Totally Enclosed

HP	SYN RPM 60 Hz	NEMA Frame	Catalog Number	Stock	List Price	Model Number	App. Wgt. (lbs)	Voltage	F. L. Amps @ 230V	Service Factor	"C" Dim. (Inches)	♥Notes
1/2	3600	56CZ	113939.00	√	623	C6P34NK5	42	230	4.5	SPEC	13.07	S, US, 12
1	3600	56CZ	119227.00	√	838	C6C34WK24	33	115/230	6.0	1.15	13.48	S, US, 12
1	3600	56CZ	119448.00	√	838	C6C34WK29	33	115/230	6.0	1.15	13.04	S, US, 13

Note 12 - TENV

Note 13 - TEFC

♥ Note listing on inside back flap
Specifications are subject to change without notice

Stainless - Milk Transfer Pump Motor

Single Phase - TENV - 230 Volt - C Face With Base

HP	SYN RPM 60 Hz	NEMA Frame	Catalog Number	Stock	List Price	Model Number	App. Wgt. (lbs)	Voltage	F. L. Amps @ 230V	Service Factor	"C" Dim. (Inches)	♥Notes
1	3600	56HCZ	119231.00	√	1,775	CZ6C34VK4	49	230	6.0	1.15	14.86	S, US

♥ Note listing on inside back flap
Specifications are subject to change without notice

Three Phase Milk Transfer Pump Motor

Three Phase - TENV - C Face With Base

HP	SYN RPM 60 Hz	NEMA Frame	Catalog Number	Stock	List Price	Model Number	App. Wgt. (lbs)	Voltage	F. L. Amps @ 230V	Service Factor	"C" Dim. (Inches)	♥Notes
1	3600	56CZ	119232.00	√	805	C6T34VK23	26	208-230/460	2.6	1.15	11.58	S, US

Green items are Premium Efficient

♥ Note listing on inside back flap
Specifications are subject to change without notice

Agricultural Duty Motors

Threaded Shaft Milk Pump Motor

Pump Motors

Washguard Motors

Agricultural Duty Motors

HVAC / Fan Motors

Special Voltage Motors

Definite Purpose Motors

Brake Motors

IEC Motors

DC Motors

Features:

- Replacement Motors for BouMatic milk pumps
- Washguard® motor features for high pressure washdown applications
- Epoxy painted and stainless ratings available for corrosion protection
- Single phase motors are capacitor start - induction run designs
- Solid state encapsulated starting switch on single phase motors
- Three phase motors are inverter rated



Single Phase - TEFC - 230 Volt - C Face With Base

HP	SYN RPM 60 Hz	NEMA Frame	Catalog Number	Stock	List Price	Model Number	App. Wgt. (lbs)	Voltage	F. L.	Service Factor	"C" Dim. (Inches)	♥Notes
1/2	3600	56CZ	119233.00	√	623	C6C34WK27	24	115/230	3.8	1.15	12.62	S, US
1	3600	56CZ	119228.00	√	838	C6C34WK25	33	115/230	6.0	1.15	13.62	S, US

♥ Note listing on inside back flap
Specifications are subject to change without notice

Stainless - Threaded Shaft Milk Pump Motor

Single Phase - TENV - 230 Volt - C Face With Base

HP	SYN RPM 60 Hz	NEMA Frame	Catalog Number	Stock	List Price	Model Number	App. Wgt. (lbs)	Voltage	F. L. Amps @ 230V	Service Factor	"C" Dim. (Inches)	♥Notes
1	3600	56CZ	119229.00	√	1,824	C6C34VK5	49	115/230	6.0	1.15	12.41	S, US

♥ Note listing on inside back flap
Specifications are subject to change without notice

Threaded Shaft Milk Transfer Pump Motor

Three Phase - TEFC - C Face With Base

HP	SYN RPM 60 Hz	NEMA Frame	Catalog Number	Stock	List Price	Model Number	App. Wgt. (lbs)	Voltage	F. L. Amps @ 230V	Service Factor	"C" Dim. (Inches)	♥Notes
1	3600	56CZ	119230.00	√	805	C6T34WK29	26	208-230/460	3.2	1.15	12.62	S, US

230/460 volt motors are suitable for use at 208 volts

Green items are Premium Efficient

♥ Note listing on inside back flap
Specifications are subject to change without notice

Washdown Duty - Jet Pump - Tank Washer Motor

Features:

- 56J Jet pump motor
- White epoxy painted
- 303 grade stainless steel shaft
- CCW rotation facing lead end

Jet Pump - 56J - Threaded Shaft - Washdown Duty - White Epoxy

Single Phase - TEFC - C Face With Base

HP	SYN RPM 60 Hz	NEMA Frame	Catalog Number	Stock	List Price	Model Number	App. Wgt. (lbs)	Voltage	F. L. Amps @ 230V	Service Factor	"C" Dim. (Inches)	♥Notes
1	3600	56J	119234.00	√	904	C6C34WK28	25	115/230	6.0	1.15	12.37	S, US

♥ Note listing on inside back flap
Specifications are subject to change without notice



Agricultural Duty Motors

Feed-Auger Drive Motors - Dust Tight

Replacement motors for poultry feed auger drive systems

Features:

- Choice of mechanical or solid state starting switch
- Mechanical switch has over-speed protection - Note 51
- Manual overload protected



Single Phase - TEFC - 60 Hertz

HP	SYN RPM 60 Hz	Frame	▼ Catalog Number	Stock	List Price	Model Number	App. Wgt. (lbs)	Voltage	Over-load Prot.	F. L. Amps @ 230V	Service Factor	"C" Dim. (Inches)	♥Notes
1/3	1800	48YZ	101159.00	√	637	P4C17FZ11	21	115/230	Man.	3.1	1.00	10.47	S, MX, 26
1/3	1800	56YZ	117887.00	√	612	117887.00	21	115/208-230	Man.	2.9	1.00	12.00	S, MX, 26, 51, 64
1/3	1800	48N	LM24462	D	615	SPA4S0.33TADN1C6027TP1	23	115/230	Man.	2.5	1.50	11.31	S, MX, 26, 51
1/2	1800	48YZ	101120.00	√	717	P4C17FZ7	22	115/208-230	Man.	4.0	1.15	10.72	S, MX, 26
1/2	1800	56YZ	117888.00	√	701	117888.00	22	115/208-230	Man.	4.2	1.25	12.00	S, MX, 26, 51, 64
1/2	1800	48N	LM24463	D	701	SPA4S0.5TADN1C6027TP1	23	115/230	Man.	3.4	1.00	11.81	S, MX, 26, 51
3/4	1800	48YZ	101119.00	√	838	P4C17FZ6	24	115/208-230	Man.	5.4	1.00	11.47	S, MX, 26
3/4	1800	56YZ	117889.00	√	721	117889.00	28	115/208-230	Man.	4.2	1.25	12.00	S, MX, 26, 51, 64
1	1800	56YZ	112615.00	√	927	P6C17FZ27	35	115/230	Man.	7.0	1.00	12.11	S, MX, 27
1	1800	56YZ	117883.00	√	904	117883.00	35	115/208-230	Man.	5.4	1.25	12.00	S, MX, 27, 51, 64
1 1/2	1800	56YZ	113280.00	√	1,540	P6K17FZ6	47	115/208-230	Man.	6.5	1.00	13.62	S, US, 27, 53
1 1/2	1800	56YZ	117884.00	√	1,519	117884.00	44	115/208-230	Man.	6.5	1.15	14.51	S, MX, 27, 51, 53, 64
1 1/2	1800	56HZ	LM24521	D	956	SRF4S1.5TZ1B6028AP9-2	47	115/208/230	Man.	7.6	1.15	13.21	S, US, 53
1 1/2	1800	56HZ	111330.00	√	954	P6K17FB18	42	115/208/230	Man.	8.6	1.00	12.31	S, US, 53

▼ LM Numbers are Lincoln Models

Note 64 - Stub shaft on ODE for manual jogging

D - Item to be discontinued once inventory is depleted

C/A - Check Availability

♥ Note listing on inside back flap

Specifications are subject to change without notice

Single Phase - TEFC - 50 Hertz

HP	SYN RPM 60 Hz	Frame	Catalog Number	Stock	List Price	Model Number	App. Wgt. (lbs)	Voltage	Over-load Prot.	F. L. Amps @ 230V	Service Factor	"C" Dim. (Inches)	♥Notes
1/2	1800	48YZ	101643.00	√	775	M4C14FZ5	26	110/220	Man.	4.0	1.00	11.47	S, MX, 26, 51
3/4	1800	48YZ	101644.00	√	834	M4C14FZ6	30	110/220	Man.	5.8	1.00	12.22	S, MX, 26, 51
1	1800	56YZ	113906.00	√	1,012	M6C14FZ8	39	110/220	Man.	6.4	1.00	12.61	S, MX, 27, 51
1 1/2	1800	56YZ	113907.00	C/A	1,691	P6K14FZ2	48	110/220	Man.	8.6	1.00	13.61	S, MX, 27, 51

C/A - Check Availability

♥ Note listing on inside back flap

Specifications are subject to change without notice

Agricultural Duty Motors

Hatchery and Incubator Fan Motors

Replacement motors for hatchery and incubator fans

Features:

- Automatic overload protected
- 15MFD, 370V. capacitor shipped loose with motor 101341.00
- Motor 114102.00 is a split phase two-speed motor
- Double shielded ball bearings



Cat. No. 101341.00

Cat. No. 114102.00

Single Phase - TEAO

HP	SYN RPM 60 Hz	NEMA Frame	Catalog Number	Stock	List Price	Model Number	App. Wgt. (lbs)	Voltage	Over-load Prot.	F. L. Amps @ 230V	Service Factor	"C" Dim. (Inches)	Notes
1/4	1800	48Y	101341.00	√	482	A4P17NZ24	17	115/230	Auto.	1.40	1.00	8.93	S, MX, 16, 34
1/3	1800	48Z	103878.00	√	520	L4P17NZ149	20	115/230	Auto.	1.65	1.00	9.93	S, MX, 16, 34
1/2-0.22	1800/1200	56H	114102.00	√	628	A6S46NR4	33	115	Auto.	9.3-5.6*	1.25	11.81	S, US

* Full Load amps are at high speed and low speeds, respectively at 115 volts

♥ Note listing on inside back flap
Specifications are subject to change without notice

Feather Picker Motors

Replacement motors used in poultry feather picker machines

Features:

- Phosphatized or stainless steel shafts
- Metric motor has phosphatized shaft drilled and tapped
- Epoxy painted for corrosion protection
- Stainless motor - **122009.00**
- Encapsulated stainless motor - **122010.00 & 122308.00**
- Washdown duty features including shaft seals
- USDA approved food-safe paint
- Extra high breakdown torques



Three Phase - TEFC - Rigid Base

HP	SYN RPM 60 Hz	NEMA Frame	Catalog Number	Stock	List Price	Model Number	App. Wgt. (lbs)	Voltage	Over-load Prot.	F. L. Amps @ 230V	Service Factor	"C" Dim. (Inches)	Notes
2	1800	145T	121934.00	√	997	C145T17FB87	54	230/460	7.0	86.5	1.25	14.76	S, US
2	1800	145T	122009.00	√	2,356	C145T17WK49	58	230/460	5.8	86.5	1.25	13.25	S, US
2	1800	145T	122010.00	D	2,390	C145T17WK50	75	230/460	5.6	84.0	1.15	12.75	S, US
2	1800	145T	122308.00	√	2,390	C145T17WK64	75	230/460	5.6	86.5	1.15	13.25	S, US
2	1200	184TZ	132246.00	√	1,518	C184T11FB24	96	230/460	7.2	88.5	1.50	15.96	S, MX
2/1.5	1200	112M	132247.00	√	1,587	C184T11FB25	96	230/460	7.2	88.5	1.50	15.96	S, MX, 29
3	1800	56HZ	119783.00	√	1,123	C6T17WK48	45	208-230/460	8.6	82.5	1.00	14.25	S, US, 5, 56
3	1800	145T	121944.00	√	1,123	C145T17FB92	45	208-230/460	8.6	82.5	1.00	14.25	S, US, 56

Green items are Premium Efficient

Note 56 - Inverter duty only

D - Item to be discontinued once inventory is depleted

♥ Note listing on inside back flap
Specifications are subject to change without notice



Pump Motors

Washguard Motors

Agricultural Duty Motors

HVAC / Fan Motors

Special Voltage Motors

Definite Purpose Motors

Brake Motors

IEC Motors

DC Motors

Agricultural Duty Motors

Industry-AG - High Torque

General Purpose, heavy duty for industrial and agriculture applications

Features:

- Manual overload protected
- Double sealed ball bearings
- Weather resistant reset button protection
- Capacitor start provides high starting torque



Rigid Base - 115-208/230V - TEFC

HP	SYN RPM 60 Hz	NEMA Frame	Catalog Number	Stock	List Price	Model Number	App. Wgt. (lbs)	Voltage	Over-load Prot.	F. L. Amps @ 230V	Service Factor	"C" Dim. (Inches)	♥Notes
1/3	1800	56	M002256.00	D	490	M6C17FB142	24	115-208/230	Man.	2.9	1.15	11.00	S, CN
1/3	1800	56	117862.00	√	420	C6C17FB164	20	115-208/230	Man.	3.3	1.15	11.82	S, MX
1/2	1800	56	117863.00	√	479	C6C17FB165	26	115-208/230	Man.	4.4	1.15	11.82	S, MX
3/4	1800	56	117864.00	√	567	C6C17FB166	33	115-208/230	Man.	5.5	1.15	12.32	S, MX
1	1800	56	117865.00	√	615	C6C17FB167	33	115-208/230	Man.	6.7	1.15	12.82	S, MX
1 1/2	1800	56H	117866.00	√	739	C6K17FB61	50	115-208/230	Man.	7.6	1.15	13.82	S, MX
2	1800	56HZ	117867.00	√	846	C6K17FB62	50	115/230	Man.	9.4	1.15	14.87	S, MX

"M00" Series motors use C Face Kit M064076.00

D - Item to be discontinued once inventory is depleted

♥ Note listing on inside back flap

Specifications are subject to change without notice

C Face Less Base - 115-208/230 - TEFC

HP	SYN RPM 60 Hz	NEMA Frame	Catalog Number	Stock	List Price	Model Number	App. Wgt. (lbs)	Voltage	Over-load Prot.	F. L. Amps @ 230V	Service Factor	"C" Dim. (Inches)	♥Notes
1/3	1800	56C	117878.00	√	453	C6C17FC178	23	115-208/230	Man.	3.3	1.15	11.82	S, MX
1/2	1800	56C	117879.00	√	511	C6C17FC179	24	115-208/230	Man.	4.4	1.15	11.82	S, MX
3/4	1800	56C	117880.00	√	595	C6C17FC180	28	115-208/230	Man.	5.5	1.15	12.32	S, MX
1	1800	56C	117881.00	√	646	C6C17FC181	30	115-208/230	Man.	6.7	1.15	12.82	S, MX

D - Item to be discontinued once inventory is depleted

♥ Note listing on inside back flap

Specifications are subject to change without notice

Agricultural Duty Motors

Variable Speed - High Performance AG Fan Motors

Designed for use in agricultural fan applications where variable speed is required

Features:

- Water-tight connection end compartment
- Locked double sealed ball bearings
- All angle mounting
- Shaft seal on output shaft end
- Automatic overload protected



Single Phase - TEAO - Rigid Base - Extended Thru-Bolts

HP	SYN RPM 60 Hz	NEMA Frame	Catalog Number	Stock	List Price	Model Number	App. Wgt. (lbs)	Voltage	Over-load Prot.	F. L. Amps @ 230V	Service Factor	"C" Dim. (Inches)	♥Notes
1/4	1625	48Y	A099899.00	√	370	A4P17NZ139	19	115/230	Auto.	1.4	1.00	10.89	S, MX
1/4	1625	48Y	A099460.00	√	400	A4P11NB5	23	115/230	Auto.	1.5	1.00	11.14	S, MX
1/3	1625	48Y	A099900.00	√	395	A4P17NZ141	20	115/230	Auto.	1.6	1.00	10.89	S, MX
1/3	1060	48Y	A099461.00	√	428	A4P17NZ86	23	115/230	Auto.	1.8	1.00	11.14	S, MX
1/2	1625	48Y	A099901.00	√	439	A4P17NZ142	23	115/230	Auto.	2.2	1.00	11.39	S, MX
1/2	1060	48Y	A099462.00	√	467	A4P911NZ85	26	115/230	Auto.	2.8	1.00	11.39	S, MX

♥ Note listing on inside back flap
Specifications are subject to change without notice

Agricultural Fan Motors - Belt Drive - TEAO

Designed for use in agricultural belted fan applications

Features:

- Capacitor start / capacitor run designs for high efficiency
- Mount in airstream for proper cooling
- Combination 56 / 140 frame stamped steel base



High-Efficiency - Single Phase

HP	SYN RPM 60 Hz	NEMA Frame	Catalog Number	Stock	List Price	Model Number	App. Wgt. (lbs)	Voltage	Over-load Prot.	F. L. Amps @ 230V	Service Factor	"C" Dim. (Inches)	♥Notes
1/2	1725	56	A009580.00	√	537	A6K17NB30	27	115/230	-	2.3	1.15	11.44	S, MX
3/4	1725	56	A009581.00	√	569	A6K17NB29	30	115/230	Auto.	3.3	1.00	11.44	S, MX
1	1725	56H	A009782.00	√	591	A6K17NB33	37	115/230	Auto.	4.0	1.00	12.44	S, MX
1 1/2	1725	56H	A009594.00	√	705	A6K17NB32	39	115/230	Auto.	5.8	1.00	11.94	S, MX
2	1725	145T	A009595.00	√	782	U145K17NB2	47	230	Auto.	9.2	1.00	13.49	S, MX *

* Frame mounted conduit box
D - Item to be discontinued once inventory has been depleted

♥ Note listing on inside back flap
Specifications are subject to change without notice



Pump Motors

Washguard Motors

Agricultural Duty Motors

HVAC / Fan Motors

Special Voltage Motors

Definite Purpose Motors

Brake Motors

IEC Motors

DC Motors

Agricultural Duty Motors

Lincoln Agriculture Fan Motors

115/230 Volts - Belt Drive - Overload Protection

Features:

- Capacitor start/capacitor run design
- Ball bearings
- LM24777 must be mounted in airstream



Single Phase - TENV - Rigid Base

HP	SYN RPM 60 Hz	NEMA Frame	▼ Catalog Number	Stock	List Price	Model Number	App. Wgt. (lbs)	Voltage	Over-load Prot.	F. L. Amps @ 230V	Service Factor	"C" Dim. (Inches)	♥Notes
1/2	1725	56Z	LM24776	√	755	SRN4S0.5TZ1B6027TP2-1	21	115/230	Auto	2.3	1.00	10.47	S, MX, 12, 53
1	1725	56Z	LM24777	√	1,010	SRA4S1TZ1B6027TP2-1	32	115/230	Auto	4.6	1.00	10.72	S, MX, 53, *

▼ LM Numbers are Lincoln Models

* LM24777 is a TEAO design

♥ Note listing on inside back flap

Specifications are subject to change without notice

Agriculture Fan

Direct Drive Thru-Bolt Mount

Features:

- 1/2" long thru-bolts
- 48Y - 1/2" dia., 1-1/2 long shaft with flat
- 48YZ - 1/2" dia., 2-1/2" long shaft with two flats



Single Speed - Single Phase - TEAO - Thru-Bolt Mount

HP	SYN RPM 60 Hz	NEMA Frame	▼ Catalog Number	Stock	List Price	Model Number	App. Wgt. (lbs)	Voltage	Over-load Prot.	F. L. Amps @ 115V	Service Factor	"C" Dim. (Inches)	♥Notes
1/4	1725	48Y	LM24488	C/A	459	SPN4S0.25TZNY1S6001TP1-1	10	115	Auto	4.0	1.00	7.62	S, MX

▼ LM Numbers are Lincoln Models

C/A - Check Availability

♥ Note listing on inside back flap

Specifications are subject to change without notice

Two Speed - Single Phase - TEAO - Thru-Bolt Mount

HP	SYN RPM 60 Hz	NEMA Frame	▼ Catalog Number	Stock	List Price	Model Number	App. Wgt. (lbs)	Voltage	Over-load Prot.	F. L. Amps @ 115V	Service Factor	"C" Dim. (Inches)	♥Notes
1/4	1725	48YZ	LM24492	C/A	479	SPA4/6/1S0.25/0.25TZNY1S6001TP2-1	17	115	Auto	4.1	1.00	11.09	S, MX
1/3	1725	48YZ	LM24491	C/A	539	SPA4/6/1S0.33/0.33TZNY1S6001TP2-1	18	115	Auto	5.3	1.00	11.34	S, MX

▼ LM Numbers are Lincoln Models

C/A - Check Availability

♥ Note listing on inside back flap

Specifications are subject to change without notice

Agricultural Duty Motors

Lincoln Agriculture Fan Motors

Pump Motors

Washguard Motors

Agricultural Duty Motors

HVAC / Fan Motors

Special Voltage Motors

Definite Purpose Motors

Brake Motors

IEC Motors

DC Motors

Features:

- 115 & 230 Volts - single phase
- Extended thru-bolts on 48Z frame motos
- 48Z - 1/2 dia. shaft, 2-1/2 long with two flats
- 56Z - 1/2 dia. shaft, 2-1/2" long shaft with keyway
- Includes 5/8" shaft adaptor sleeve with key



Single Phase - TEAO - Resilient Base

HP	SYN RPM 60 Hz	NEMA Frame	▼ Catalog Number	Stock	List Price	Model Number	App. Wgt. (lbs)	Voltage	Over-load Prot.	F. L. Amps @ 115V	Service Factor	"C" Dim. (Inches)	♥Notes
1/4	1725	48Z	LM24487	C/A	479	SPA4S0.25TZRY1S6001TP2-1	17	115	Auto	3.5	1.00	10.09	S, MX
1/3	1725	48Z	LM24486	√	539	SPA4S0.33TZRY1S6001TP2-1	21	115	Auto	4.5	1.00	10.09	S, MX
1/2	1725	56Z	LM24809	C/A	728	SRA4S0.5TZR1S6027TP2-1	24	115/230	Auto	6.6	1.00	11.34	S, MX

▼ LM Numbers are Lincoln Models
C/A - Check Availability

♥ Note listing on inside back flap
Specifications are subject to change without notice

Aeration Fan, HVAC 115 & 230 VOLTS - Single Phase

Features:

- Automatic overload protected
- Sealed bearings
- 18" extended leads
- Shaft has keyway and 1/4-20 UNC tapped hole on end of shaft

Single Phase - TEAO - Rigid Base

HP	SYN RPM 60 Hz	NEMA Frame	▼ Catalog Number	Stock	List Price	Model Number	App. Wgt. (lbs)	Voltage	Over-load Prot.	F. L. Amps @ 230V	Service Factor	"C" Dim. (Inches)	♥Notes
1	3450	56Z	LM24786	√	584	SRA2S1TZ1C6027L10MB6TP2-1	29	115/230	Auto	5.6	1.15	10.94	S, MX
1 1/2	3475	143TZ	LM24787	√	663	SSA2S1.5TZ1C6027L10MB6TP2-1	35	115/230	Auto	8.4	1.15	11.49	S, MX
3	3510	145TZ	LM24788	√	816	SS145A2S3TZ1B66L10MB6TP2-1	52	230	Auto	11.8	1.15	13.49	S, MX

▼ LM Numbers are Lincoln Models
C/A - Check Availability

♥ Note listing on inside back flap
Specifications are subject to change without notice



HVAC – Fan Motors

Pump
Motors

Washguard
Motors

Agricultural
Duty Motors

HVAC / Fan
Motors

Special Voltage
Motors

Definite
Purpose Motors

Brake Motors

IEC Motors

DC Motors



- Various voltages and mounting types available
- Single and three phase fan duty motors
- Rigid base, resilient base, pedestal base, belly band mount and extended thru-bolt mount types
- Drip-Proof, TEFC, TEAO and DPAO designs
- General purpose duty
- Agricultural duty
- UL recognized and CSA certified

Applications:

Ideally suited for a variety of fan applications requiring the motor to either be mounted in or out of the air stream for proper ventilation. Some motors have an epoxy finish for harsh applications and other motors have a baked on enamel finish. Industrial, commercial and agricultural fan motors available.



HVAC - Fan Motors

Resilient Base Motors - Single Phase Fan & Blower Service - Moderate Starting Torque

General Specifications:

- Drip-proof and totally enclosed designs
- Industrial quality, resilient (cradle) mounted
- Capacitor start-type
- Ball bearing designs
- Moderate starting torque to reduce machinery stresses
- Suitable for belt-driven fans or fan-on-shaft applications



Drip-Proof – Single Phase – Resilient Base

HP	SYN RPM 60 Hz	NEMA Frame	Catalog Number	Stock	List Price	Model Number	App. Wgt. (lbs)	Voltage	Over-load Prot.	F. L. Amps @ 230V	Service Factor	"C" Dim. (Inches)	♥Notes
1/4	3600	48	101434.00	✓	340	A4C34DR8	16	115/208-230	Auto.	2.0	1.00	9.39	S, MX
1/4	3600	48	E101434.00	✓	438	A4K34DR4	19	115/230	Auto.	2.0	1.00	10.39	S, MX, 53
1/4	1800	48	100109.00	✓	399	A4C17DR1	17	115/208-230	Auto.	2.7	1.35	9.89	S, MX
1/4	1800	48	E100109.00	✓	470	A4K17DR18	16	115/230	Auto.	1.2	1.35	11.14	S, MX, 53
1/4	1800	48	100111.00	✓	345	A4C17DR3	17	115/208-230	Auto.	2.7	1.00	9.89	S, MX
1/4	1800	48	E100111.00	✓	447	A4K17DR17	15	115/230	Auto.	1.2	1.00	11.14	S, MX, 53
1/4	1800	48	102963.00	✓	399	A4C17DR47	17	277	Auto.	2.2*	1.35	9.89	S, MX
1/3	3600	48	101431.00	✓	350	A4C34DR11	17	115/208-230	Auto.	2.3	1.00	9.39	S, MX
1/3	3600	48	E101431.00	✓	501	A4K34DR1	20	115/230	Auto.	1.5	1.00	11.14	S, MX, 53
1/3	1800	48	100110.00	✓	487	A4C17DR2	18	115/208-230	Auto.	3.3	1.35	9.89	S, MX
1/3	1800	48	E100110.00	✓	534	A4K17DR19	21	115/230	Auto.	1.9	1.35	11.14	S, MX, 53
1/3	1800	48	101015.00	✓	399	A4C17DR31	18	115/208-230	Auto.	3.3	1.00	9.89	S, MX
1/3	1800	48	E101015.00	✓	437	A4K17DR20	21	115/230	Auto.	1.9	1.00	11.14	S, MX, 53
1/3	1800	S56	100014.00	✓	446	C4K17DJ5	19	115/230	None	3.3	1.35	10.31	S, MX, 53
1/3	1800	S56	E100014.00	✓	523	C4K17DJ9	20	115/230	None	1.9	1.35	10.97	S, MX, 53
1/3	1800	S56	100010.00	✓	487	A4C17DJ2	18	115/208-230	Auto.	3.3	1.35	10.31	S, MX
1/3	1800	S56	E100010.00	✓	539	A4K17DJ11	18	115/230	Auto.	1.9	1.35	11.81	S, MX, 53
1/3	1800	S56	100063.00	✓	399	A4C17DJ9	19	115/208-230	Auto.	3.3	1.00	10.31	S, MX
1/3	1800	S56	E100063.00	✓	513	A4K17DJ12	22	115/230	Auto.	1.9	1.00	11.81	S, MX, 53
1/3	1800	S56	102964.00	✓	487	A4C17DJ72	18	277	Auto.	2.8*	1.35	10.31	S, MX
1/2	3600	48	101432.00	✓	386	A4C34DR10	20	115/208-230	Auto.	3.4	1.00	9.89	S, MX
1/2	3600	48	E101432.00	✓	505	A4K34DR2	23	115/230	Auto.	2.2	1.00	11.39	S, MX, 53
1/2	1800	S56	100015.00	✓	495	C4C17DJ6	21	115/208-230	None	4.4	1.25	10.81	S, MX
1/2	1800	S56	E100015.00	✓	592	C4K17DJ10	22	115/230	None	2.3	1.25	11.47	S, MX, 53
1/2	1800	S56	100045.00	✓	475	M4C17DJ17	20	115/208-230	Man.	4.4	1.00	10.81	S, MX
1/2	1800	S56	E100045.00	✓	585	M4K17DJ13	24	115/230	Man.	2.3	1.00	12.31	S, MX, 53
1/2	1800	S56	101611.00	✓	524	A4C17DJ57	22	115/208-230	Auto.	4.4	1.25	10.81	S, MX, 32
1/2	1800	S56	E101611.00	✓	595	A4K17DJ14	25	115/230	Auto.	2.3	1.25	12.31	S, MX, 32, 53
1/2	1800	S56	100011.00	✓	524	A4C17DJ3	22	115/208-230	Auto.	4.4	1.25	10.81	S, MX
1/2	1800	S56	E100011.00	✓	595	A4K17DJ13	25	115/230	Auto.	2.3	1.25	12.31	S, MX, 53
1/2	1800	S56	100064.00	✓	477	A4C17DJ10	20	115/208-230	Auto.	4.4	1.00	10.81	S, MX
1/2	1800	S56	E100064.00	✓	578	A4K17DJ79	24	115/230	Auto.	2.3	1.00	12.31	S, MX, 53
1/2	1800	S56	102965.00	✓	524	A4C17DJ74	22	277	Auto.	3.7*	1.25	10.81	S, MX

Green items are Premium Efficient

* F.L. Amps at 277V

D - Item to be discontinued once inventory is depleted

Continued To Next Page

♥ Note listing on inside back flap
Specifications are subject to change without notice



Pump Motors

Washguard Motors

Agricultural Duty Motors

HVAC / Fan Motors

Special Voltage Motors

Definite Purpose Motors

Brake Motors

IEC Motors

DC Motors

HVAC - Fan Motors

Resilient Base Motors - Single Phase

Fan & Blower Service - Moderate Starting Torque

Drip-Proof – Single Phase – Resilient Base

3/4	3600	48	101433.00	✓	453	A4C34DR9	22	115/208-230	Auto.	4.8	1.00	10.39	S, MX
3/4	3600	48	E101433.00	✓	562	A4K34DR3	25	115/230	Auto.	3.6	1.00	11.89	S, MX, 53
3/4	3600	S56H	100603.00	✓	483	A4C34DJ7	26	115/208-230	Auto.	4.9	1.25	11.31	S, MX
3/4	3600	S56H	E100603.00	✓	573	A4K34DJ1	28	115/230	Auto.	3.6	1.25	12.31	S, MX, 53
3/4	1800	S56H	100016.00	✓	604	C6K17DJ7	26	115/230	None	5.4	1.25	11.81	S, MX, 53
3/4	1800	56H	E119362.00	✓	683	C6K17DR44	27	115/230	None	3.3	1.25	13.21	S, MX, 53
3/4	1800	S56H	100046.00	✓	649	M4C17DJ18	26	115/208-230	Man.	5.4	1.25	11.81	S, MX
3/4	1800	56	E119858.00	✓	699	M6K17DR1	29	115/208-230	Man.	3.2	1.25	11.81	S, MX, 53
3/4	1800	S56H	100047.00	✓	543	M4C17DJ19	25	115/208-230	Man.	5.5	1.00	11.81	S, MX
3/4	1800	56	E119859.00	✓	681	56B17DRS70006A3	27	115/208-230	Man.	3.2	1.00	11.81	S, MX, 53
3/4	1800	S56H	101839.00	✓	649	A4C17DJ67	28	115/208-230	Auto.	5.4	1.25	11.81	S, MX, 32
3/4	1800	56	E119864.00	✓	695	56B17DRS70003A3	25	115/208-230	Auto.	3.2	1.25	11.81	S, MX, 53
3/4	1800	S56H	100012.00	✓	649	A4C17DJ4	26	115/208-230	Auto.	5.4	1.25	11.81	S, MX
3/4	1800	56	E119856.00	✓	704	56B17DRS70004A3	29	115/208-230	Auto.	3.2	1.25	11.81	S, MX, 53
3/4	1800	S56H	100065.00	✓	538	A4C17DJ11	25	115/208-230	Auto.	5.5	1.00	11.81	S, MX
3/4	1800	56	E119860.00	✓	668	56B17DRS70005A3	27	115/208-230	Auto.	3.2	1.00	11.81	S, MX, 53
3/4	1800	S56H	102966.00	✓	649	A4C17DJ73	26	277	Auto.	4.5*	1.25	11.81	S, MX
1	3600	56H	110478.00	✓	557	A6C34DR6	28	115/208-230	Auto.	6.0	1.25	11.85	S, US
1	3600	56H	E110478.00	✓	609	A6K34DR6	31	115/230	Auto.	3.9	1.25	12.82	S, US, 53
1	1800	56H	113027.00	✓	657	C6K17DR37	31	115/230	None	4.2	1.15	12.88	S, US, 53
1	1800	56H	E113027.00	✓	736	C6K17DR43	31	115/230	None	4.2	1.15	12.88	S, US, 53
1	1800	56H	110007.00	✓	703	A6C17DR1	29	115/208-230	Auto.	6.4	1.15	11.81	S, US
1	1800	56	E110007.00	✓	774	A6K17DR50	32	115/230	Auto.	4.2	1.15	12.82	S, US, 53
1	1800	56H	110054.00	✓	687	A6C17DR2	32	115/208-230	Auto.	6.4	1.00	11.81	S, US
1	1800	56H	E110054.00	✓	751	A6K17DR49	35	115/230	Auto.	4.5	1.00	12.82	S, US, 53
1	1800	56H	116599.00	✓	703	A6C17DR54	29	277	Auto.	5.4*	1.20	11.82	S, US
1 1/2	3600	56H	110479.00	✓	717	A6C34DR7	30	115/208-230	Auto.	8.2	1.15	11.82	S, US
1 1/2	3600	56H	E110479.00	✓	821	A6K34DR7	33	115/230	Auto.	7.1	1.15	13.32	S, US, 53
1 1/2	1800	56H	110579.00	✓	850	A6K17DR6	38	115/208-230	Auto.	7.2	1.15	12.82	S, US, 6
1 1/2	1800	56H	E110579.00	✓	896	U6K17DR48	41	115/230	Auto.	6.5	1.15	13.82	S, US, 53
1 1/2	1800	56H	116600.00	✓	850	A6K17DR41	38	277	Auto	6.0*	1.15	12.82	S, US
2	3600	56H	113633.00	✓	898	U6C34DR21	38	115/208-230	Auto.	10.0	1.15	13.82	S, US
2	3600	56H	E113633.00	✓	952	U6K34DR8	41	115/230	Auto.	8.0	1.15	12.82	S, US, 53
2	1800	56H	113608.00	✓	906	A6K17DR28	45	115/208-230	Auto.	10.0	1.15	13.81	S, US, 6
2	1800	56H	E113608.00	✓	978	56B17DRS70010A3	45	115/208-230	Auto.	9.2	1.15	13.82	S, US, 6, 53
2	1800	56H	116601.00	✓	906	A6K17DR42	45	277	Auto.	8.7*	1.15	13.82	S, US

Green items are Premium Efficient

* FL. Amps at 277V

D - Item to be discontinued once inventory is depleted

C/A - Check Availability

♥ Note listing on inside back flap
Specifications are subject to change without notice



HVAC – Fan Motors

Single Phase - TEFC - Resilient Base

Pump Motors

Washguard Motors

Agricultural Duty Motors

HVAC / Fan Motors

Special Voltage Motors

Definite Purpose Motors

Brake Motors

IEC Motors

DC Motors

Features:

- Industrial quality, resilient (cradle) mounted
- High starting torque
- Automatic overload protected
- Suitable for belt-driven fans or fan-on-shaft applications



Single Phase - TEFC - Resilient Base

HP/kW	RPM 60 Hz	NEMA Frame	Catalog Number	Stock	List Price	Model Number	App. Wgt. (lbs)	Voltage	Over- load Prot.	F. L. Amps @ 230 V	Service Factor	"C" Dim. (Inches)	♥Notes
1/2	1725	56	110025.00	√	594	A6C17FR1	26	115/208-230	Auto.	4.4	1.15	11.96	S, US
3/4	1725	56	110026.00	√	712	A6C17FR2	28	115/208-230	Auto.	5.4	1.15	12.46	S, US, 6
1	1725	56H	111915.00	√	809	A6C17FR10	31	115/208-230	Auto.	6.4	1.15	12.96	S, US, 6

♥ Note listing on inside back flap
Specifications are subject to change without notice

Wattsaver® Premium Efficiency Fan Motors

Features:

- Premium efficient
- Class F insulation
- Terminal boards
- Automatic overload protected



Single Phase - Drip-Proof - Resilient Base

HP/ kW	RPM 60 Hz	NEMA Frame	Catalog Number	Stock	List Price	Model Number	App. Wgt. (lbs)	Voltage	Over- load Prot.	F. L. Amps @ 230 V	Service Factor	% FL. Eff.	"C" Dim. (Inches)	♥Notes
1/4	1800	48	101602.00	√	443	A4K17DR7	19	115	Auto.	2.5	2.5 1.35	71.0	10.39	S, MX, 32
1/3	1800	48	101405.00	√	523	A4K17DR5	19	115	Auto.	3.2	3.2 1.35	75.0	10.39	S, MX, 32
1/2	1800	48	101585.00	√	599	A4K17DR6	25	115	Auto.	4.6	4.6 1.35	76.0	11.39	S, MX, 32

Green items are Premium Efficient

♥ Note listing on inside back flap
Specifications are subject to change without notice



HVAC - Fan Motors

Resilient Base Motors - Three Phase

Fan & Blower Service

Pump Motors

Washguard Motors

Agricultural Duty Motors

HVAC / Fan Motors

Special Voltage Motors

Definite Purpose Motors

Brake Motors

IEC Motors

DC Motors



General Specifications:

- Industrial quality, resilient (cradle) mounted
- Ball bearing design
- Moderate starting torque to reduce fan stresses
- Suitable for belt-driven fans or fan-on-shaft applications

Three Phase - TEFC - Resilient Base

HP	RPM 60 Hz	NEMA Frame	Catalog Number	Stock	List Price	Model Number	App. Wgt. (lbs)	Voltage	Over- load Prot.	F. L. Amps @ 230V	Service Factor			% F.L. EFF.	"C" Dim. (Inches)	♥Notes
1/2	1725	56	111917.00	√	558	C6T17NR1	25	208-230/460	None	1.8	1.8	1.15	78.5	78.5	11.31	S, US, 6, 12
1	1725	56	119419.00	√	809	C6T17FR3	29	208-230/460	None	3.2	3.8	1.15	77.0	77.0	13.84	S, US, 6, 13

Note 12 - TENV

♥ Note listing on inside back flap
Specifications are subject to change without notice

Drip-Proof - Three Phase - Resilient Base

HP	SYN RPM 60 Hz	NEMA Frame	Catalog Number	Stock	List Price	Model Number	App. Wgt. (lbs)	Voltage	Over- load Prot.	F. L. Amps @ 230V	Service Factor	% F.L. EFF.	"C" Dim. (Inches)	♥Notes
1/3	3450	S56	101639.00	√	406	A4T34DJ4	17	208-230/460	Auto.	1.7	1.35	61.0	10.31	S, US, 33
1/3	3450	S56	E101639.00	√	406			230/460	Auto.			69.5		S, MX, 33
1/3	1725	S56	E100210.00	√	485	C4T17DJ25	19	230/460	None	1.2	1.35	73.4	12.31	S, MX
1/3	1725	S56	101520.00	√	538	A4T17DJ18	19	230/460	Auto.	1.6	1.35	64.3	10.81	S, MX, 33
1/3	1725	S56	E101520.00	√	559	A4T17DJ26	17	230/460	Auto.	1.2		73.4	12.31	S, MX, 33
1/2	3450	S56	101640.00	C/A	487	A4T34DJ3	18	208-230/460	Auto.	2.4	1.25	69.0	10.31	S, US, 33
1/2	3450	S56	E101640.00	C/A	574			230/460	Auto.			73.4		
1/2	1725	56	E119360.00	√	567	C6T17DR40	23	230/460	None	2.0	1.25	78.2	10.82	S, MX
1/2	1725	S56	100796.00	√	590	A4T17DJ10	22	230/460	Auto.	2.0	1.25	68.0	11.31	S, MX
1/2	1725	56	E119879.00	√	614	56T17DRS70001A3	25	230/460	Auto.	2.0	1.25	78.2	11.54	S, US, 33
3/4	3450	S56	E101773.00	√	510	C4T34DJ8	20	230/460	None	2.4	1.25	79.0	10.81	S, MX
3/4	3450	S56	101641.00	√	594	A4T34DJ5	20	230/460	Auto.	2.4	1.25	79.0	11.31	S, US, 33
3/4	3450	S56	E101641.00	√	594	A4T34DJ5	20	230/460	Auto.	2.4	1.25	79.0	11.31	S, US, 33
3/4	1725	56	E119361.00	√	608	C6T17DR41	26	230/460	None	2.4	1.25	81.1	11.82	S, MX
3/4	1725	S56	100908.00	√	640	A4T17DJ13	26	230/460	Auto.	2.8	1.25	75.0	11.81	S, US, 33
3/4	1725	56	E119880.00	√	640	56T17DRS70002A3	29	208-230/460	Auto.	2.8	1.25	81.1	12.04	S, US, 33
1	3450	56	E114192.00	√	543	C6T34DR35	24	230/460	None	3.2	1.25	77.0	10.82	S, US
1	3450	56	113895.00	C/A	627	A6T34DR44	25	230/460	Auto.	3.2	1.25	77.0	10.82	S, US, 33
1	3450	56	E113895.00	C/A	627	A6T34DR44	25	230/460	Auto.	3.2	1.25	77.0	10.82	S, US, 33
1	1725	56	E110052.00	√	765	C6T17DR37	24	230/460	None	3.2	1.15	83.5	13.32	S, US
1	1725	56H	111311.00	√	665	A6T17DR11	27	208-230/460	Auto.	4.2	1.15	78.5	11.31	S, US, 33
1	1725	56H	E111311.00	√	780	A6T17DR63	30	230/460	Auto.	3.2	1.15	83.5	13.82	S, US, 33
1 1/2	3450	56H	E114194.00	C/A	782	C6T34DR3	31	230/460	None	4.0	1.15	84.0	12.82	S, US
1 1/2	3450	56H	113896.00	√	711	A6T34DR31	29	230/460	Auto.	4.2	1.15	81.5	11.82	S, US, 33
1 1/2	3450	56H	E113896.00	√	795	U6T34DR43	32	230/460	Auto.	4.0	1.15	84.0	12.32	S, US, 33
1 1/2	1725	56H	E110433.00	√	820	C6T17DR38	33	230/460	None	4.8	1.15	86.5	13.82	S, US
1 1/2	1725	56H	113846.00	√	705	A6T17DR25	29	230/460	Auto.	5.6	1.15	78.5	11.81	S, US, 33
1 1/2	1725	56H	E113846.00	√	838	A6T17DR47	32	230/460	Auto.	4.8	1.15	86.5	14.32	S, US, 33
2	3450	56H	E114196.00	√	865	C6T34DR38	37	230/460	None	4.8	1.15	85.5	13.82	S, US
2	3450	56H	113897.00	√	825	A6T34DR32	39	208-230/460	Auto.	5.6	1.15	82.9	12.32	S, US, 33
2	3450	56H	E113897.00	√	879	A6T34DR42	42	230/460	Auto.	4.8	1.15	85.5	14.32	S, US, 33
2	1725	56H	E114197.00	√	902	C6T17DR39	38	230/460	None	5.8	1.15	86.5	14.32	S, US
2	1725	56H	113847.00	√	825	A6T17DR26	34	230/460	Auto.	6.2	1.15	78.5	12.31	S, US, 33
2	1725	56H	E113847.00	√	916	A6T17DR48	36	230/460	Auto.	5.8	1.15	86.5	15.32	S, US, 33
3	3450	56HZ	113926.00	√	814	U6T34DR33	40	230/460	Auto.	7.6	1.00	84.0	13.19	S, US, 33
3	1725	56HZ	116593.00	√	886	A6T17DR33	47	230/460	Auto.	8.6	1.15	82.5	14.19	S, US, 33

Green items are Premium Efficient

D - Item to be discontinued once inventory is depleted
C/A - Check Availability

♥ Note listing on inside back flap
Specifications are subject to change without notice



HVAC – Fan Motors

Fan & Blower Motors

Multi-Speed - Single & Three Phase

Pump Motors

Washguard Motors

Agricultural Duty Motors

HVAC / Fan Motors

Special Voltage Motors

Definite Purpose Motors

Brake Motors

IEC Motors

DC Motors

Features:

- Variable torque
- PSC Type for shaft mounted fan applications
- Overload protected with a UL and CSA recognized automatic reset protector
- Listed speed or two speed operation using the proper auxiliary switch - reference drawing 005210.01
- Variable speed by using a variable voltage control
- Overload protected with a UL and CSA recognized automatic reset protector
- Must be mounted in airstream for proper motor cooling
- Extended through-bolts
- Epoxy painted motors



Single Phase - TEAO - PSC Type - Resilient Base

HP/kW	RPM 60 Hz	NEMA Frame	Catalog Number	Stock	List Price	Model Number	App. Wgt. (lbs)	Voltage	Over- load Prot.	F. L. Amps @ 230 V	Service Factor	"C" Dim. (Inches)	♥Notes
1/4	1625	48Z	100803.00	√	393	A4P17NR1	19	115/230	Auto.	1.4	1.00	10.66	S, MX, 16, 34
1/4	1075	48Z	100824.00	√	445	A4P11NR2	20	115/230	Auto.	1.4	1.00	10.66	S, MX, 16, 34
1/4	1075	S56Z	100805.00	√	492	A4P11NJ1	22	115/230	Auto.	1.4	1.00	11.06	S, MX, 17, 34
1/3	1625	48Z	100804.00	√	409	A4P17NR2	21	115/230	Auto.	1.6	1.00	10.66	S, MX, 16, 34
1/3	1625	S56H	100767.00	√	472	A4P17NJ1	22	115/230	Auto.	1.6	1.00	10.31	S, MX, 34
1/3	1625	56HY	111348.00	√	515	A6P17NZ6	24	115/230	Auto.	1.7	1.00	13.44	S, US, 59
1/3	1075	48Z	100825.00	√	483	A4P11NR3	25	115/230	Auto.	1.8	1.00	11.16	S, MX, 16, 34
1/3	1075	S56HZ	100806.00	√	518	A4P11NJ2	27	115/230	Auto.	1.8	1.00	11.56	S, MX, 17, 34
1/2	1625	56HZ	111323.00	√	588	A6P17NR3	30	115/230	Auto.	2.6	1.00	12.56	S, US, 17, 34
1/2	1625	S56H	100768.00	√	485	A4P17NJ2	36	115/230	Auto.	2.2	1.00	10.81	S, MX, 34
1/2	1075	48Z	101645.00	√	521	A4P11NR6	33	115/230	Auto.	2.8	1.00	11.16	S, MX, 16, 34
1/2	1075	56HZ	111321.00	√	611	A6P11NR1	37	115/230	Auto.	3.0	1.00	13.56	S, US, 17, 34
1/2	825	56HZ	111919.00	√	685	A6P8NR2	40	115/230	Auto.	3.2	1.00	13.56	S, US, 17, 34, 50
3/4	1625	56HZ	111324.00	√	644	A6P17NR4	34	115/230	Auto.	3.5	1.00	13.06	S, US, 17
3/4	1625	56H	111266.00	√	644	A6P17NR1	36	115/230	Auto.	3.5	1.00	12.31	S, US
3/4	1075	56HZ	111322.00	√	692	A6P11NR2	44	115/230	Auto.	4.0	1.00	13.56	S, US, 17, 50
1	1625	56HZ	111267.00	√	720	A6P17NR2	39	115/230	Auto.	4.4	1.00	12.81	S, US

♥ Note listing on inside back flap
Specifications are subject to change without notice

Single Phase - TEAO - PSC Type - Rigid Base

HP/kW	RPM 60 Hz	NEMA Frame	Catalog Number	Stock	List Price	Model Number	App. Wgt. (lbs)	Voltage	Over- load Prot.	F. L. Amps @ 230 V	Service Factor	"C" Dim. (Inches)	♥Notes
1/4	1625	48Y	100699.00	√	375	A4P17NB7	19	115/230	Auto.	1.4	1.00	10.65	S, MX
1/4	1750	48Y	101252.00	√	375	A4P17NB27	19	115/208-230	Auto.	1.5	1.00	10.40	S, MX, 50
1/3	1625	48Y	100700.00	√	425	A4P17NB8	21	115/230	Auto.	1.6	1.00	10.65	S, MX
1/3	1625	56Y	111202.00	C/A	490	A6P17NZ1	27	115/230	Auto.	1.7	1.00	12.00	S, US, 62
1/3	1750	48Y	101253.00	√	425	A4P17NB28	22	115/208-230	Auto.	1.9	1.00	10.65	S, MX, 50
1/3	1140	S56Z	100604.00	√	461	A4P11NH1	23	115/208-230	Auto.	1.8	1.00	11.40	S, MX
1/2	1625	48Y	100701.00	√	456	A4P17NB9	25	115/230	Auto.	2.5	1.00	12.15	S, MX
1/2	1750	S56Y	101176.00	√	467	A4K17NH2	24	115/230	Auto.	3.5	1.00	10.40	S, MX, 50, 54

Motor 101176 must be mounted within the airflow of the fan
C/A - Check Availability

♥ Note listing on inside back flap
Specifications are subject to change without notice



HVAC - Fan Motors

Two-Speed - Two-Winding - Variable Torque

Features:

- Belted or fan-on-shaft applications
- Can be mounted within or outside the fan's airstream
- Resilient mounted for quiet operation
- 3/4 HP and larger single phase are capacitor start motors; smaller single phase are split phase start
- Ball bearings



Single Phase - Drip-Proof - Resilient Base

HP	RPM 60 Hz	NEMA Frame	Catalog Number	Stock	List Price	Model Number	App. Wgt. (lbs)	Voltage	F. L. Amps High/Low	Service Factor	"C" Dim. (Inches)	♥Notes
1/4-1/12	1725	48Z	101020.00	√	422	C4S46DR1	20	115	4.2-3.2	1.00	11.64	S, US, 16
1/3-0.15	1725	S56H	101021.00	√	537	C4S46DJ1	26	115	5.0-4.6	1.00	12.27	S, MX
1/2-1/4	1725	56H	111953.00	√	670	C6S46DR1	33	115	7.8-4.6	1.00	12.31	S, US
1/2-1/4	1725	56H	113643.00	√	670	C6S46DR2	33	230	3.9-2.3	1.00	12.31	S, US
3/4-1/3	1725	56H	111954.00	√	972	C6C46DR2	38	115	11.6-7.4	1.00	12.81	S, US, 6
3/4-1/3	1725	56H	113672.00	√	972	C6C46DR5	39	230	5.8-3.7	1.15	12.81	S, US, 6
1-0.44	1725	56H	111955.00	√	1,143	C6K46DR1	41	115	13.2-9.5	1.00	12.81	S, US, 6, 53
1-0.44	1725	56H	113373.00	√	1,143	C6K46DR3	39	230	6.5-4.6	1.00	12.81	S, US, 6, 53

♥ Note listing on inside back flap
Specifications are subject to change without notice

Three Phase - Drip-Proof - Resilient Base

HP	RPM 60 Hz	NEMA Frame	Catalog Number	Stock	List Price	Model Number	App. Wgt. (lbs)	Voltage	F. L. Amps High/Low	Service Factor	"C" Dim. (Inches)	♥Notes
1/2-.22	1725	56H	111956.00	√	1,010	C6T46DR1	32	208-230	1.8-1.1	1.00	12.31	S, US
1/2-.22	1725	56H	111957.00	C/A	1,010	C6T46DR2	32	460	0.9-0.5	1.00	12.31	S, US
3/4-1/3	1725	56H	111958.00	√	1,065	C6T46DR3	36	208-230	2.8-1.6	1.00	13.82	S, US, 6
3/4-1/3	1725	56H	111959.00	C/A	1,065	C6T46DR4	36	460	1.4-0.8	1.00	12.81	S, US, 6
1-0.44	1725	56H	111960.00	√	1,143	C6T46DR5	40	208-230	4.0-2.4	1.00	12.81	S, US, 6
1-0.44	1725	56H	111961.00	√	1,143	C6T46DR6	40	460	1.8-1.0	1.00	12.81	S, US, 6
11/2-.67	1725	56H	111962.00	√	1,387	C6T46DR7	40	208-230	5.0-2.6	1.00	12.81	S, US, 6
11/2-.67	1725	56H	111963.00	√	1,387	C6T46DR8	40	460	2.5-1.3	1.00	12.81	S, US, 6

C/A - Check Availability

♥ Note listing on inside back flap
Specifications are subject to change without notice

HVAC – Fan Motors

Aeration Fan Motors

Totally Enclosed Air Over Motors (TEAO)

Features:

- Suitable for shaft mounted fans
- Capacitor start designs
- Designed to run in the airflow of the driven fan
- Epoxy enamel finish to resist corrosion
- Ball bearing designs



Single Phase - Capacitor Start - TEAO - Rigid Base

HP	RPM 60 Hz	NEMA Frame	Catalog Number	Stock	List Price	Model Number	App. Wgt. (lbs)	Voltage	F. L. Amps @ 230 V	Service Factor	"C" Dim. (Inches)	♥Notes
3/4	3450	56	111332.00	√	488	C6C34NB15	27	115/208-230	5.0	1.00	10.90	S, US, 22
1	3450	56	111333.00	√	580	C6C34NB16	29	115/208-230	6.0	1.00	10.90	S, US, 22
1 1/2	3450	56	111949.00	√	749	C6C34NB19	32	115/208-230	8.5	1.00	11.40	S, US, 23
1 1/2	3450	143TZ	120374.00	√	806	C143C34NB1	31	115/208-230	8.5	1.00	11.84	S, US, 22
2	3450	145TZ	120375.00	√	981	C145C34NB1	41	230	10.0	1.00	13.34	S, US, 23
3	3450	145T	120376.00	√	1,033	C145K34NB1	45	230	12.8	1.00	13.84	S, US, 53

♥ Note listing on inside back flap
Specifications are subject to change without notice

Three Phase - TEAO - Rigid Base

HP	RPM 60 Hz	NEMA Frame	Catalog Number	Stock	List Price	Model Number	App. Wgt. (lbs)	Voltage	F. L. Amps @ 230 V	F.L. EFF.	Service Factor	"C" Dim. (Inches)	♥Notes
3/4	3450	56Z	111334.00	√	501	C6T34NB18	21	208-230/460	2.4	75.5	1.00	9.90	S, US, 22
1	3450	56Z	111335.00	√	543	C6T34NB19	22	208-230/460	3.2	77.0	1.00	9.90	S, US, 22
1 1/2	3450	143TZ	120377.00	√	623	C143T34NB2	31	208-230/460	4.2	82.5	1.00	11.34	S, US, 23
2	3450	145TZ	120378.00	√	738	C145T34NB1	34	208-230/460	5.6	82.5	1.00	11.84	S, US, 23
3	3450	145T	120379.00	√	828	C145T34NB2	38	208-230/460	7.6	84.0	1.00	12.34	S, US, 23

♥ Note listing on inside back flap
Specifications are subject to change without notice



Pump
Motors

Washguard
Motors

Agricultural
Duty Motors

HVAC / Fan
Motors

Special Voltage
Motors

Definite
Purpose Motors

Brake Motors

IEC Motors

DC Motors

HVAC – Fan Motors

Ventilation Fan Motor - Dust-Tight - Shaft Mounted

Features:

- Permanent split capacitor start motors
- Direct drive exhaust ventilation fans
- Extended thru-bolt designs
- Built in terminal panel for quick connections
- Motors must be mounted in the mounted fans airstream



Single Phase - PSC Type - TEAO - Thru-Bolt Mount

HP	RPM 60 Hz	NEMA Frame	Catalog Number	Stock	List Price	Model Number	App. Wgt. (lbs)	Voltage	Over- load Prot.	F. L. Amps @ 230 V	Service Factor	"C" Dim. (Inches)	♥Notes
1/3	1625	48Y	103783.00	√	415	A4P17NZ132	22	115/230	Auto	1.7	1.00	10.93	S, MX
1/2	1625	48Y	103782.00	√	448	A4P17NZ131	20	115/230	Auto	2.7	1.00	11.18	S, MX
1/2	825	56Z	114620.00	√	778	A6P8NZ2	35	115/230	Auto	3.2	1.00	12.63	S, US, 50
1/2	850	48Y	A099250.00	√	504	A4P8NZ17	24	115/230	Auto	3.2	1.00	10.80	S, MX, 20, 50

♥ Note listing on inside back flap
Specifications are subject to change without notice



Single Phase - PSC Type - TEAO - C Face Less Base

HP	RPM 60 Hz	NEMA Frame	Catalog Number	Stock	List Price	Model Number	App. Wgt. (lbs)	Voltage	Over- load Prot.	F. L. Amps @ 230 V	Service Factor	"C" Dim. (Inches)	♥Notes
1/2	850	S56C	M099251.00	D	492	A4P8NC2	24	115/230	Auto	3.0	1.00	10.40	S, CN, 25
1/2	825	S56C	A099251.00	√	492	A4P8NC3	24	115/230	Auto	3.0	1.15	10.05	S, MX, 25
1	850	S56CZ	A009644.00	√	824	A6P8NC7	45	230	Auto	4.7	1.15	16.10	S, MX, 21, 50

D - Item to be discontinued once inventory is depleted

♥ Note listing on inside back flap
Specifications are subject to change without notice

Three Phase - PSC Type - TEAO - C Face Less Base

HP	RPM 60 Hz	NEMA Frame	Catalog Number	Stock	List Price	Model Number	App. Wgt. (lbs)	Voltage	Over- load Prot.	F. L. Amps @ 230 V	Service Factor	"C" Dim. (Inches)	♥Notes
1/2	850	56C	116201.00	√	701	C6T8NC37	35	208-230/460	3.0	1.00	10.90	S, US	S, CN, 25
1	850	56C	116202.00	√	871	C6T8NC38	45	208-230/460	5.0	1.00	12.90	S, US	S, MX, 25

♥ Note listing on inside back flap
Specifications are subject to change without notice



HVAC – Fan Motors

Condenser Fan Motors

Features:

- For shaft mounted fan applications
- Belly band and rigid mount designs
- Designed for vertical shaft up applications
- Enclosed shaft end endshield protects against contaminants
- Automatic overload protection
- Double sealed ball bearings
- **NOT FOR USE WITH INVERTERS**



Three Phase - Drip-Proof - Belly Band & Rigid Mount

HP	RPM 60 Hz	NEMA Frame	Catalog Number	Stock	List Price	Model Number	App. Wgt. (lbs)	Voltage	F. L. Amps @ 230 V	F.L. EFF.	Service Factor	"C" Dim. (Inches)	♥Notes
1/2	1140	56Y	116772.00	√	716	A6T11Z3	25	208-230/460	2.8	66.0	1.15	12.56	S, US, 58
3/4	1140	56Y	116773.00	C/A	775	A6T11Z2	31	208-230/460	3.4	75.5	1.15	13.06	S, US, 58
1	1140	56Y	111147.00	√	880	A6T11DZ1	37	208-230/460	3.6	77.0	1.15	14.06	S, US, 58
1	1140	56Y	115778.00	√	816	A6T11DB20	37	208-230/460	4.0	77.0	1.15	14.05	S, US, 60
1 1/2	1140	56Y	111148.00	√	961	A6T11DZ2	42	208-230/460	5.2	78.0	1.15	15.06	S, US, 58
1 1/2	1140	56HY	115779.00	√	888	A6T11DB21	39	208-230/460	5.6	79.0	1.15	15.55	S, US, 60

Note 58 - Belly Band Mount
 Note 60 - Rigid Base Mount
 C/A - Check Availability

♥ Note listing on inside back flap
 Specifications are subject to change without notice

Fan & Blower Motors

Single Phase - Commercial Duty

Designed for continuous duty use in ventilation fans, blowers and other belt driven or fan-on-shaft applications.

Features:

- Split phase design motors
- Belt driven or fan-on-shaft applications
- Resilient base for quiet operation
- Automatic overload protection
- Built-in terminal panel for easy connection



Single Phase - Drip-Proof - Resilient Base

HP	RPM 60 Hz	NEMA Frame	Catalog Number	Stock	List Price	Model Number	App. Wgt. (lbs)	Voltage	Over- load Prot.	F.L. Amps @ 115 V	Service Factor	"C" Dim. (Inches)	♥Notes
1/4	1725	48	103797.00	√	287	A4S17DR71	15	115/230	Auto.	2.6	1.35	9.93	S, MX, 32
1/3	1725	48	103795.00	√	309	A4S17DR69	17	115/230	Auto.	2.8	1.35	10.18	S, MX, 32
1/2	1725	48	103796.00	√	357	A4S17DR70	20	115/230	Auto.	4.6	1.25	10.18	S, MX, 32

♥ Note listing on inside back flap
 Specifications are subject to change without notice



Pump
Motors

Washguard
Motors

Agricultural
Duty Motors

HVAC / Fan
Motors

Special Voltage
Motors

Definite
Purpose Motors

Brake Motors

IEC Motors

DC Motors

HVAC – Fan Motors

Residential / Industrial - Split Phase - Belted Fan Motors

Designed for use in air conditioners, roof ventilators and exhaust fans.

Features:

- Low starting torque
- Ball bearings
- Resilient “cradle” style base
- Automatic overload protection



Single Phase - Split Phase - Drip-Proof - Resilient Base

HP	RPM 60 Hz	NEMA Frame	Catalog Number	Stock	List Price	Model Number	App. Wgt. (lbs)	Voltage	Over- load Prot.	F.L. Amps @ 115 V	Service Factor	“C” Dim. (Inches)	♥Notes
1/4	1725	48YZ	M900195.00	√	261	48S17D1301	13	115	Auto.	5.0	1.35	9.72	S, MX, 7
1/3	1725	56	M900277.00	√	504	56S17D7208	20	115	Auto.	5.3/2.9	1.35	10.78	S, MX
1/3	1725	48YZ	M900196.00	√	308	48S17D1303	15	115	Auto.	6.1	1.35	9.72	S, MX, 7
1/2	1725	56	M900599.00	C/A	630	56S17D5710	30	115	Auto.	8.4/4.5	1.25	11.85	S, US
1/2	1725	48YZ	M900197.00	√	402	48S17D1302	20	115	Auto.	7.2	1.25	10.72	S, MX, 7

Note 7 - Includes sleeve to convert shaft to 5/8 inch
C/A - Check Availability

♥ Note listing on inside back flap
Specifications are subject to change without notice

Premium Efficiency - Industrial / Residential - Belted Fan Motors

Designed for use in residential or industrial belted fan applications.

Features:

- High efficiency designs
- Ball bearings
- Special balanced rotors
- Spade connectors on terminal board
- Automatic overload protection
- Drop-in replacement for most standard belted-fan motors
- Extremely quiet running compared to standard fan motors
- Consumes approximately half the power of a standard fan motor



Single Phase - Drip-Proof - Resilient Base

HP	RPM 60 Hz	NEMA Frame	Catalog Number	Stock	List Price	Model Number	App. Wgt. (lbs)	Voltage	Over- load Prot.	F.L. Amps @ 115 V	Service Factor	“C” Dim. (Inches)	♥Notes
1/4	1725	48	A090602.00	√	340	A4K17DR14	15	115	Auto.	2.4	1.35	10.39	S, MX, 32, 55
1/3	1725	48	A090405.00	√	357	A4K17DR15	19	115	Auto.	3.2	1.35	10.39	S, MX, 32, 55
1/2	1725	48	A090585.00	√	439	A4K17DR13	22	115	Auto.	5.0	1.35	11.64	S, MX, 32, 53

♥ Note listing on inside back flap
Specifications are subject to change without notice



HVAC – Fan Motors

Pedestal Fan Motors - PSC Type

Pump Motors

Washguard Motors

Agricultural Duty Motors

HVAC / Fan Motors

Special Voltage Motors

Definite Purpose Motors

Brake Motors

IEC Motors

DC Motors

Designed for use where the fan is mounted directly to the motor shaft. Yoke style mount is the industry standard type mount.

Features:

- Drop-in replacement for most standard belted-fan motors
- Extremely quiet running compared to standard fan motors
- Consumes approximately half of the power of a standard fan motor
- Permanent split capacitor type
- Ball bearing design
- Heavy-gauge steel yoke is welded to the motor frame
- 10-32 mounting studs are extended 1.0" on 5.14" bolt circle
- Motors are UL and CSA recognized for both the U.S. and Canadian markets
- Automatic overload protection



Single Phase - PSC Type - TEAO - Yoke Mount

HP	RPM 60 Hz*	NEMA Frame	Catalog Number	Stock	List Price	Model Number	App. Wgt. (lbs)	Voltage	Over- load Prot.	FL. Amps @ 115 V	Service Factor	Shaft Dia.	"C" Dim. (Inches)	Notes
1/4	1625	48Y	103711.00	√	287	A4P17NZ117	22	115/230	Auto.	3.6	1.00	0.50	10.81	S, MX
1/4	1625	48Y	191908.00	D	287	A4P17NZ64	14	115/230	Auto.	2.6	1.00	0.63	10.95	S, CN
1/4	1625	48Y	103712.00	√	287	A4P17NZ118	23	115/230	Auto.	3.6	1.00	0.63	10.81	S, MX
1/4	1075	48Y	103713.00	√	318	A4P17NZ119	18	115	Auto.	3.2	1.00	0.50	10.06	S, MX
1/4	1075	48Y	103714.00	√	318	A4P17NZ120	18	115	Auto.	3.2	1.00	0.63	10.06	S, MX
1/3	1625	48Y	103715.00	√	315	A4P17NZ121	24	115/230	Auto.	3.5	1.00	0.50	10.81	S, MX
1/3	1625	48Y	103716.00	√	315	A4P17NZ122	20	115/230	Auto.	3.5	1.00	0.63	10.81	S, MX
1/3	1075	48Y	103717.00	√	356	A4P17NZ123	20	115	Auto.	4.2	1.00	0.50	10.06	S, MX
1/3	1075	48Y	103718.00	√	356	A4P17NZ124	25	115	Auto.	4.2	1.00	0.63	10.06	S, MX
1/2	1625	48Y	103719.00	√	362	A4P17NZ125	25	115/230	Auto.	5.4	1.00	0.50	11.06	S, MX
1/2	1625	48Y	103720.00	√	362	A4P17NZ126	25	115/230	Auto.	5.4	1.00	0.63	11.06	S, MX
1/2	1075	48Y	103721.00	√	412	A4P17NZ127	25	115	Auto.	5.7	1.00	0.50	11.06	S, MX
1/2	1075	48Y	103722.00	√	412	A4P17NZ128	25	115	Auto.	5.7	1.00	0.63	11.06	S, MX

* Two-speed operation possible by connecting 115V power to 230V connections
Actual speed (approx. 67% of rated speed) will depend on fan blade design.

♥ Note listing on inside back flap
Specifications are subject to change without notice

D - Item to be discontinued once inventory is depleted



HVAC - Fan Motors

Two-Speed Motors

Three Phase - Variable and Constant Torque

Variable torque motors are typically used on applications such as fans, blowers and centrifugal pumps.

Constant torque motors are typically used on mixers, compressors, conveyors, extractors, feeders and laundry machinery.

Constant horsepower motors are typically used on machine tools such as drills, lathes, punch presses and milling machines.



Features:

- Two-speed, single winding designs
- Totally enclosed fan cooled designs
- Ball bearing designs
- Single voltage designs

Variable Torque - 460 Volt - Three Phase - TEFC - Rigid Base

HP	RPM 60 Hz	NEMA Frame	Catalog Number	Stock	List Price	Model Number	App. Wgt. (lbs)	Voltage	FL. Amps @ 460V	Service Factor	"C" Dim. (Inches)	♥Notes
1/25	1800/900	143T	120945.00	C/A	1,037	C143T48FB7	36	460	1.6-0.7	1.00	12.75	S, US
1.5/3.7	1800/900	145T	120941.00	√	1,079	C145T48FB60	36	460	2.4-1.0	1.00	12.75	S, US
2/5	1800/900	145T	120940.00	C/A	1,258	C145T48FB48	36	460	3.2-1.3	1.00	12.75	S, US
3/7.5	1800/900	184T	131474.00	C/A	1,348	C184T48FB67	77	460	4.0-1.8	1.00	14.46	S, MX
5/1.2	1800/900	184T	131475.00	√	1,720	C184T48FB68	107	460	6.5-2.5	1.00	15.96	S, MX
7.5/1.9	1800/900	215T	140447.00	√	2,424	C215T48FB46	155	460	9.7-3.3	1.00	17.71	S, MX
10/2.5	1800/900	215T	140448.00	√	2,856	C215T48FB48	168	460	12.7-4.2	1.00	18.71	S, MX

C/A - Check Availability

♥ Note listing on inside back flap
Specifications are subject to change without notice

Variable Torque - 208-230 Volt - Three Phase - TEFC - Rigid Base

HP	RPM 60 Hz	NEMA Frame	Catalog Number	Stock	List Price	Model Number	App. Wgt. (lbs)	Voltage	FL. Amps @ 230 V	Service Factor	"C" Dim. (Inches)	♥Notes
1/25	1800/900	143T	120944.00	C/A	1,037	C143T48FB6	36	208-230	3.2-1.4	1.00	12.75	S, US
1.5/3.7	1800/900	145T	120947.00	C/A	1,083	C145T48FB61	36	208-230	4.8-2.0	1.00	12.75	S, US
2/5	1800/900	145T	120946.00	√	1,258	C145T48FB59	35	208-230	6.3-2.6	1.00	12.75	S, US
3/7.5	1800/900	184T	131468.00	√	1,348	C184T48FB61	78	208-230	8.0-3.6	1.00	14.46	S, MX
5/1.2	1800/900	184T	131469.00	√	1,720	C184T48FB62	94	208-230	13.0-5.0	1.00	15.96	S, MX
7.5/1.9	1800/900	215T	140443.00	C/A	2,448	C215T48FB45	154	208-230	19.4-6.6	1.00	17.71	S, MX
10/2.5	1800/900	215T	140444.00	C/A	2,856	C215T48FB47	166	208-230	25.4-8.4	1.00	18.71	S, MX

C/A - Check Availability

♥ Note listing on inside back flap
Specifications are subject to change without notice

HVAC – Fan Motors

Fan & Blower Motors - Multi-Speed - Three Phase

Constant Torque - 460 Volt - Three Phase - One Winding - TEFC - Rigid Base

HP	RPM 60 Hz	NEMA Frame	Catalog Number	Stock	List Price	Model Number	App. Wgt. (lbs)	Voltage	FL. Amps @ 460V	Service Factor	"C" Dim. (Inches)	♥Notes
1/5	1800/900	143T	120943.00	C/A	1,479	C143T48FB9	36	460	1.4-1.6	1.00	13.25	S, US
2/1	1800/900	184T	131471.00	√	1,891	C184T48FB64	68	460	2.9-2.9	1.00	13.96	S, MX
3/1.5	1800/900	184T	131470.00	√	2,146	C184T48FB63	80	460	3.8-3.5	1.00	14.96	S, MX
5/2.5	1800/900	215T	140445.00	C/A	2,804	C215T48FB43	145	460	6.7-7.0	1.00	17.71	S, MX

C/A - Check Availability

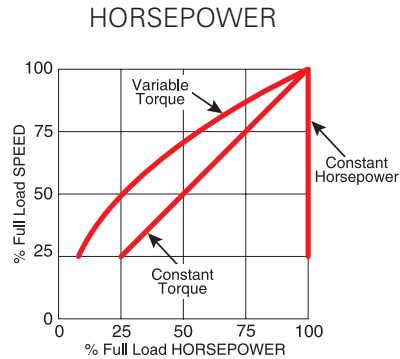
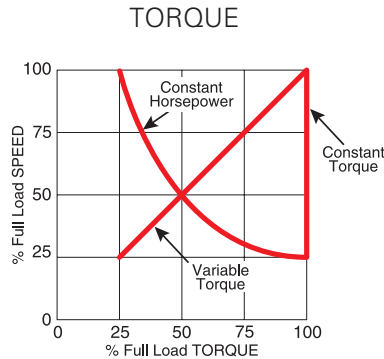
♥ Note listing on inside back flap
Specifications are subject to change without notice

Constant Torque - 208-230 Volt - Three Phase - One Winding - TEFC - Rigid Base

HP	RPM 60 Hz	NEMA Frame	Catalog Number	Stock	List Price	Model Number	App. Wgt. (lbs)	Voltage	FL. Amps @ 230V	Service Factor	"C" Dim. (Inches)	♥Notes
1/5	1800/900	143T	120942.00	C/A	1,479	C143T48FB8	37	208-230	3.2-4.2	1.00	12.75	S, US
2/1	1800/900	184T	131473.00	C/A	1,891	C184T48FB66	69	208-230	5.8-5.7	1.00	13.96	S, MX
3/1.5	1800/900	184T	131472.00	√	2,146	C184T48FB65	80	208-230	7.6-6.9	1.00	14.96	S, MX
5/2.5	1800/900	215T	140446.00	C/A	2,804	C215T48FB44	137	208-230	13.4-14.0	1.00	17.71	S, MX

C/A - Check Availability

♥ Note listing on inside back flap
Specifications are subject to change without notice



HVAC – Fan Motors

PSC - Variable Speed - Resilient Base - Single Phase

Features:

- Agricultural fan duty
- Extended thru-bolts
- Totally enclosed air over (TEAO) designs



Single Phase - TEAO - Resilient Base - PSC Type

HP	RPM 60 Hz	NEMA Frame	▼ Catalog Number	Stock	List Price	Model Number	App. Wgt. (lbs)	Voltage	Over- load Prot.	FL Amps @ 230V	Service Factor	"C" Dim. (Inches)	♥Notes
1/4	1625	48Z	LM24445	√	630	SPA4S0.25TZRY1A6027AP11-1	20	115/230	Auto.	1.8	1.00	11.06	S, MX, 16
1/4	1625	48Z	LM24447	C/A	487	SPA4S0.25TZRY1A6027AP10-1	17	115/230	Auto.	1.6	1.00	10.09	S, MX, 16
1/3	1625	48Z	LM24450	√	691	SPA4S0.33TZRY1A6027AP11-1	23	115/230	Auto.	1.9	1.00	11.81	S, MX, 16
1/3	1625	48Z	LM24448	√	537	SPA4S0.33TZRY1A6027AP10-1	17	115/230	Auto.	2.2	1.00	10.09	S, MX, 16
1/3	1075	48Z	LM24443	√	668	SPA6S0.33TZRY1A6027AP10-1	15	115/230	Auto.	2.1	1.00	10.84	S, MX, 16
1/2	1625	48Z	LM24446	√	767	SPA4S0.5TZRY1A6027AP11-1	23	115/230	Auto.	2.7	1.00	11.81	S, MX, 16
1/2	1625	48Z	LM24449	√	593	SPA4S0.5TZRY1A6027AP10-1	21	115/230	Auto.	3.0	1.00	10.84	S, MX, 16
1/2	1075	48Z	LM24444	√	767	SPA6S0.5TZRY1A6027AP10-1	19	115/230	Auto.	3.2	1.00	10.84	S, MX, 16

▼ LM Numbers are Lincoln Models
C/A - Check Availability

♥ Note listing on inside back flap
Specifications are subject to change without notice

Pump
Motors

Washguard
Motors

Agricultural
Duty Motors

HVAC / Fan
Motors

Special Voltage
Motors

Definite
Purpose Motors

Brake Motors

IEC Motors

DC Motors



Single Phase - TEAO - Rigid Base - PSC Type

HP	RPM 60 Hz	NEMA Frame	Catalog Number	Stock	List Price	Model Number	App. Wgt. (lbs)	Voltage	Over- load Prot.	FL Amps @ 230V	Service Factor	"C" Dim. (Inches)	♥Notes
1/4	1750	48Y	101252.00	√	375	A4P17NB27	19	115/208-230	Auto.	1.5	1.00	10.90	S, MX, 50
1/4	1625	48Y	100699.00	√	375	A4P17NB7	19	115/230	Auto.	1.4	1.00	10.65	S, MX
1/4	1075	48Y	A099260.00	√	391	A4P11NB52	21	115/230	Auto.	1.5	1.00	10.65	S, MX
1/3	1750	48Y	101253.00	√	425	A4P17NB28	22	115/208-230	Auto.	1.9	1.00	10.65	S, MX, 50
1/3	1625	48Y	100700.00	√	425	A4P17NB8	22	115/230	Auto.	1.6	1.00	10.65	S, MX
1/3	1625	56Y	111202.00	C/A	490	A6P17NZ1	24	115/230	Auto.	1.7	1.00	12.00	S, US, 58
1/3	1140	S56Y	100604.00	√	461	A4P11NH1	23	115/208-230	Auto.	1.8	1.00	11.40	S, MX
1/3	1075	48Y	A099261.00	√	496	A4P11NB53	21	115/230	Auto.	1.8	1.00	10.90	S, MX
1/2	1750	S56Y	101176.00	√	467	A4K17NH2	26	115/230	Auto.	3.5	1.00	10.40	S, MX, 50, 54
1/2	1750	48Y	100701.00	√	456	A4P17NB9	29	115/230	Auto.	2.5	1.00	12.15	S, MX
1/2	1075	48Y	A099946.00	√	478	A4P11NB54	26	115/230	Auto.	2.5	1.00	11.90	S, MX
3/4	1075	56HZ	A099847.00	√	682	A6P11NB5	35	115/230	Auto.	3.7	1.00	13.56	S, MX

C/A - Check Availability

♥ Note listing on inside back flap
Specifications are subject to change without notice



HVAC - Fan Motors

Grain Dryer / Centrifugal Fan Motors

Used in ag fan and blower applications. Screens used to protect against entry of pests and and silage.

Features:

- NEMA® Premium and EPart efficiency
- Rodent screens
- Re-greasable bearings
- Cast Iron construction
- 1.25 service factor
- Class F insulation
- Inverter duty insulation system
- UL recognized and CSA certified
- TZ shafts are 1 inch longer than NEMA



Three Phase - Open Drip Proof - Rigid Base

HP	RPM 60 Hz	NEMA Frame	Catalog Number	Stock	List Price	Model Number	App. Wgt. (lbs)	Voltage	FL Amps @ 230V	% FL EFF.	"C" Dim. (Inches)	♥Notes
10	1800	215TZ	171861.60	√	1,683	C215T17DB69	168	230/460	25.6	91.7	17.90	C, CN
15	1800	254T	170540.60	D	2,264	C254T17DB45	279	230/460	37.0	93.0	20.94	C, CN
15	1800	254TZ	171862.60	√	2,264	C254T17DB48	279	230/460	37.0	93.0	20.94	C, CN
20	1800	256T	170541.60	D	2,761	C256T17DB10	324	230/460	51.0	93.0	22.60	C, CN
20	1800	256TZ	171863.60	√	2,761	C256T17DB15	324	230/460	51.0	93.0	22.60	C, CN
25	1800	284TZ	171864.60	√	3,637	C284T17DB15	388	230/460	59.6	93.6	23.54	C, CN
30	1800	286T	170542.60	D	3,718	C286T17DB13	471	230/460	71.0	94.1	25.00	C, CN
30	1800	286TZ	171865.60	√	3,718	C286T17DB16	471	230/460	71.0	94.1	25.00	C, CN

Shaded model numbers are cast iron frame

Green items are Premium Efficient

D - Item to be discontinued once inventory is depleted

♥ Note listing on inside back flap
Specifications are subject to change without notice

Pump
Motors

Washguard
Motors

Agricultural
Duty Motors

HVAC / Fan
Motors

Special Voltage
Motors

Definite
Purpose Motors

Brake Motors

IEC Motors

DC Motors

HVAC – Fan Motors

Crop Dryer Motors

Features:

- Open air over, fan-on-shaft design
- Continuous duty
- Thermostats provide overload protection
- Extra nameplate provided for remote mount
- Keyed shaft with 1/4-20 UNC tapped hole in end
- Grey epoxy painted
- Rodent screen protection
- Capacitors shipped loose with 215TZ frame motors



Single Phase - Rigid Base - Open Air Over

HP	RPM 60 Hz	NEMA Frame	▼ Catalog Number	Stock	List Price	Model Number	App. Wgt. (lbs)	Voltage	Over- load Prot.	F.L. Amps @ 230V	Service Factor	"C" Dim. (Inches)	♥Notes
3-4.5	3600	145TZ	LM24778	√	1,308	SSD2S3-4.5TZ1B66QS10-1	46	230	Auto	13.0	1.50	13.74	S, MX
5-7	3600	182TZ	131847.00	√	1,536	C182C34DB2	91	230	T-Stat	27.2-35.0	1.00	16.44	S, MX
7.5-10	3600	182TZ	131848.00	√	1,707	C182K34DB4	95	230	T-Stat	31.0-42.0	1.00	16.44	S, MX
7-10	3600	184TZ	LM24780	√	2,139	SSD2S7-10TZ1B66QS11-1	102	230	T-Stat	31.0-42.0	1.40	15.94	S, MX
10-15	3600	215TZ	140640.00	√	2,624	C215K34DB2	159	230	T-Stat	39.5-61.5	1.00	20.42	S, MX
10-15	3600	215TZ	LM24782	√	2,717	SS215D2S10-15TZ1C66QS11-1	135	230	T-Stat	39.5-61.5	1.50	18.16	S, MX
10-15	3600	215TZ	141084.00	√	2,624	C215K34DB3	159	230	T-Stat	40.0	1.00	20.08	S, MX, 52

▼ LM Numbers are Lincoln Models
Note 52 - Extra High Starting Torque

♥ Note listing on inside back flap
Specifications are subject to change without notice

Three Phase - Rigid Base - Open Air Over

HP	RPM 60 Hz	NEMA Frame	Catalog Number	Stock	List Price	Model Number	App. Wgt. (lbs)	Voltage	Over- load Prot.	F.L. Amps @ 230V	Service Factor	"C" Dim. (Inches)	♥Notes
5-7.5	3600	184TZ	131849.00	√	1,244	C184T34DB8	70	208-230/460	T-Stat	19.0	1.00	13.94	S, MX
7.5-10	3600	184TZ	131850.00	√	1,452	C184T34DB9	85	208-230/460	T-Stat	24.2	1.00	15.44	S, MX
10-15	3600	215TZ	140641.00	√	1,751	C215T34DB3	95	208-230/460	T-Stat	40.0	1.50	17.41	S, MX

♥ Note listing on inside back flap
Specifications are subject to change without notice

HVAC - Fan Motors

Hatchery and Incubator Fan Motors

Features:

- Automatic overload protected
- 15MFD, 370V capacitor shipped loose with motor
- 101341.00 is a permanent split capacitor motor
- Motor 114102.00 is a split phase two-speed motor
- Double shielded ball bearings



Single Phase - TEAO

HP	RPM 60 Hz	NEMA Frame	Catalog Number	Stock	List Price	Model Number	App. Wgt. (lbs)	Voltage	Over- load Prot.	F.L. Amps @ 230V	Service Factor	"C" Dim. (Inches)	♥Notes
1/4	1625	48Y	101341.00	√	482	A4P17NZ24	17	115/230	Auto.	2.8	1.00	8.93	S, US, 16, 34, 58
1/3	1800	48Z	103878.00	√	520	L4P17NZ149	20	115/230	Auto.	1.65	1.00	9.93	S, MX, 16, 34
1/2-0.22	1725	56H	114102.00	√	628	A6S46NR4	33	115	Auto.	9.3-5.6*	1.25	11.81	S, US

♥ Note listing on inside back flap
Specifications are subject to change without notice

Variable Speed - High Performance AG Fan Motors

Features:

- Water-tight connection end compartment
- Locked double sealed ball bearings
- All angle mounting
- Shaft seal on output shaft end
- Automatic overload protection



Single Phase - PSC Type - TEAO - Rigid Base - Extended Thru-Bolts

HP	RPM 60 Hz	NEMA Frame	Catalog Number	Stock	List Price	Model Number	App. Wgt. (lbs)	Voltage	Over- load Prot.	F.L. Amps @ 230V	Service Factor	"C" Dim. (Inches)	♥Notes
1/4	1625	48Y	A099899.00	√	370	A4P17NZ139	19	115/230	Auto.	1.4	1.00	10.64	S, MX
1/4	1060	48Y	A099460.00	√	400	A4P11NB5	23	115/230	Auto.	1.5	1.00	11.14	S, MX
1/3	1625	48Y	A099900.00	√	395	A4P17NZ141	20	115/230	Auto.	1.6	1.00	10.89	S, MX
1/3	1060	48Y	A099461.00	√	428	A4P17NZ86	23	115/230	Auto.	1.8	1.00	11.14	S, MX
1/2	1625	48Y	A099901.00	√	439	A4P17NZ142	23	115/230	Auto.	2.7	1.00	11.39	S, MX
1/2	1060	48Y	A099462.00	√	467	A4P11NZ85	26	115/230	Auto.	2.8	1.00	11.39	S, MX

♥ Note listing on inside back flap
Specifications are subject to change without notice



Pump Motors
Washguard Motors
Agricultural Duty Motors
HVAC / Fan Motors
Special Voltage Motors
Definite Purpose Motors
Brake Motors
IEC Motors
DC Motors

HVAC – Fan Motors

Agricultural Fan Motors - Belt Drive - TEAO

Features:

- Capacitor start / capacitor run designs for high efficiency
- Mount in airstream for proper cooling
- Combination 56 / 140 frame stamped steel base



High Efficiency - Single Phase - TEAO - Rigid Base

HP	RPM 60 Hz	NEMA Frame	Catalog Number	Stock	List Price	Model Number	App. Wgt. (lbs)	Voltage	Over- load Prot.	FL. Amps @ 230V	Service Factor	"C" Dim. (Inches)	♥Notes
1/2	1725	56	A009580.00	√	537	A6K17NB30	27	115/230	-	2.3	1.15	11.44	S, MX
3/4	1725	56H	A009581.00	√	569	A6K17NB29	30	115/230	Auto.	3.3	1.00	11.44	S, MX
1	1725	56H	A009782.00	√	591	A6K17NB33	37	115/230	Auto.	4.0	1.00	11.44	S, MX
1 1/2	1725	56H	A009594.00	√	705	A6K17NB32	39	115/230	Auto.	5.8	1.00	11.94	S, MX
2	1725	145T	A009595.00	√	782	U145K17NB2	47	230	Auto.	9.2	1.00	13.49	S, MX

D - Item to be discontinued once inventory is depleted

♥ Note listing on inside back flap
Specifications are subject to change without notice

Agriculture Fan

115/230 Volts - Belt Drive - Overload Protection



LM24777 is TEAO Design - Single Phase - TENV - Rigid Base

HP	RPM 60 Hz	NEMA Frame	▼ Catalog Number	Stock	List Price	Model Number	App. Wgt. (lbs)	Voltage	Over- load Prot.	FL. Amps @ 230V	Service Factor	"C" Dim. (Inches)	♥Notes
1/2	1725	56Z	LM24776	√	755	SRN4S0.5TZ1B6027TP2-1	21	115/230	Auto	2.3	1.00	10.47	S, MX, 12, 53
1	1725	56Z	LM24777	√	1,010	SRA4S1TZ1B6027TP2-1	32	115/230	Auto	4.6	1.00	10.72	S, MX, 53

▼ LM Numbers are Lincoln Models

♥ Note listing on inside back flap
Specifications are subject to change without notice

HVAC - Fan Motors

Lincoln Agriculture Fan Motors

Direct Drive Thru-Bolt Mount

Features:

- 1/2" long thru-bolts
- 48Y - 1/2" dia., 1-1/2 long shaft with flat
- 48YZ - 1/2" dia., 2-1/2" long shaft with two flats



Single Speed - Single Phase - TEAO - Thru-Bolt Mount

HP	RPM 60 Hz	NEMA Frame	▼ Catalog Number	Stock	List Price	Model Number	App. Wgt. (lbs)	Voltage	Over- load Prot.	F.L. Amps @ 115V	Service Factor	"C" Dim. (Inches)	♥Notes
1/4	1725	48Y	LM24488	√	459	SPN4S0.25TZNY1S6001TP1-1	10	115	Auto	4.0	1.00	7.62	S, MX

▼ LM Numbers are Lincoln Models

♥ Note listing on inside back flap
Specifications are subject to change without notice

Two Speed - Single Phase - TEAO - Thru-Bolt Mount

HP	RPM 60 Hz	NEMA Frame	▼ Catalog Number	Stock	List Price	Model Number	App. Wgt. (lbs)	Voltage	Over- load Prot.	F.L. Amps @ 115V	Service Factor	"C" Dim. (Inches)	♥Notes
1/4	1725	48YZ	LM24492	√	479	SPA4/6/1S0.25/0.25TZNY1S6001TP2-1	17	115	Auto	4.1	1.00	11.09	S, MX
1/3	1725	48YZ	LM24491	√	539	SPA4/6/1S0.33/0.33TZNY1S6001TP2-1	18	115	Auto	5.3	1.00	11.34	S, MX

▼ LM Numbers are Lincoln Models

♥ Note listing on inside back flap
Specifications are subject to change without notice

HVAC – Fan Motors

Lincoln Agriculture Fan Motors

Features:

- Single phase - 115 & 230 Volts
- Extended thru-bolts on 48Z frame motors
- 48Z - 1/2 dia. shaft, 2-1/2 long with two flats
- 56Z - 1/2 dia. shaft, 2-1/2" long shaft with keyway
- Includes 5/8" shaft adaptor sleeve with key



Single Phase - PSC Type - TEAO - Resilient Base

HP	RPM 60 Hz	NEMA Frame	▼ Catalog Number	Stock	List Price	Model Number	App. Wgt. (lbs)	Voltage	Over- load Prot.	FL. Amps @ 230V	Service Factor	"C" Dim. (Inches)	♥Notes
1/4	1725	48Z	LM24487	C/A	479	SPA4S0.25TZRY1S6001TP2-1	17	115	Auto	3.5	1.00	10.09	S, MX
1/3	1725	48Z	LM24486	√	539	SPA4S0.33TZRY1S6001TP2-1	21	115	Auto	4.5	1.00	10.09	S, MX
1/2	1725	56Z	LM24809	C/A	728	SRA4S0.5TZR1S6027TP2-1	24	115/230	Auto	6.6	1.00	11.34	S, MX

▼ LM Numbers are Lincoln Models
C/A - Check Availability

♥ Note listing on inside back flap
Specifications are subject to change without notice

Aeration Fan, HVAC

115 & 230 Volts - Single Phase

Features:

- Automatic overload protected
- Sealed bearings
- 18" extended leads
- Shaft has keyway and 1/4-20 UNC tapped hole on end of shaft



Single Phase - TEAO - Rigid Base

HP	RPM 60 Hz	NEMA Frame	▼ Catalog Number	Stock	List Price	Model Number	App. Wgt. (lbs)	Voltage	Over- load Prot.	FL. Amps @ 230V	Service Factor	"C" Dim. (Inches)	♥Notes
1	3600	56Z	LM24786	√	584	SRA2S1TZ1C6027L10MB6TP2-1	29	115/230	Auto	5.6	1.15	10.94	S, MX
1 1/2	3600	143TZ	LM24787	√	663	SSA2S1.5TZ1C6027L10MB6TP2-1	35	115/230	Auto	8.4	1.15	11.49	S, MX
3	3600	145TZ	LM24788	√	816	SS145A2S3TZ1B66L10MB6TP2-1	52	230	Auto	11.8	1.15	13.49	S, MX

▼ LM Numbers are Lincoln Models

♥ Note listing on inside back flap
Specifications are subject to change without notice

HVAC - Fan Motors

TEAO Cooling Tower Single Speed Motors



Applications:

Cooling towers, fan and blowers, and other severe duty environments where long life and high efficiency are desired.

Features:

- Complete cast iron construction for rigidity and reduced vibration
- Epoxy painted
- Severe duty treatment of internal parts
- Class F insulation
- F-1 / F-2 capable
- Re-greaseable bearings
- Brass T-drain installed - both ends at 6:00
- *Inpro shaft seal protected
- Shaft grounding ring (SGRs) installed
- Inverter rated IRIS® insulation system
- 10:1 constant and variable torque rated
- Extra nameplate with CE for external mounting
- Designed for shaft up mounting
- 3-year warranty
- 1.15 S.F. under sine wave power

Three Phase - TEAO - Rigid Base

HP	RPM 60 Hz	NEMA Frame	Catalog Number	Stock	List Price	Model Number	App. Wgt. (lbs)	Voltage	FL Amps @ 230V	% FL EFF.	"C" Dim. (Inches)	♥Notes
3	1800	182T	824528.00	√	1,672	182TTTN16569	123	230/460	8.0	90.2	13.82	C, US
3	1200	213T	824554.00	√	2,194	213TTTN16585	225	230/460	8.8	89.5	17.47	C, US
5	1800	184T	824529.00	√	1,782	184TTTN16542	155	230/460	12.4	90.2	15.82	C, US
5	1200	215T	824555.00	√	2,206	215TTTN16580	300	230/460	13.8	89.5	17.47	C, US
7.5	1800	213T	824530.00	√	2,292	213TTTN16536	225	230/460	19.2	91.7	17.47	C, US
7.5	1200	254T	824556.00	√	3,491	254TTTNA16580	240	230/460	19.8	91.0	22.56	C, US
10	1800	215T	824531.00	√	2,400	215TTTN16537	300	230/460	25.0	91.7	20.47	C, US
10	1200	256T	824557.00	√	3,710	256TTTNA16577	400	230/460	26.2	91.0	24.31	C, US
15	1800	254T	824532.00	√	3,120	254TTTNA14533	240	230/460	39.0	91.0	20.95	C, US
15	1200	284T	824558.00	√	4,014	284TTTNA16578	500	230/460	41.0	91.7	26.97	C, US
20	1800	256T	824533.00	√	3,297	256TTTNA14533	400	230/460	50.0	91.0	22.70	C, US
20	1200	286T	824559.00	√	4,438	286TTTNA16576	500	230/460	53.5	91.7	26.97	C, US
25	1800	284T	824534.00	√	3,921	284TTTNA14536	500	230/460	63.0	92.4	26.97	C, US
25	1200	324T	824560.00	√	6,180	324TTTS16579	550	230/460	65.0	93.0	26.14	C, US
30	1800	286T	824535.00	√	4,572	286TTTNA14531	500	230/460	74.0	92.4	26.19	C, US
30	1200	326T	824561.00	√	6,198	326TTTS16578	600	230/460	77.0	93.0	27.64	C, US
40	1800	324T	824536.00	√	5,927	324TTTNA14532	550	230/460	100.0	93.0	28.10	C, US
40	1200	364T	824562.00	√	10,505	364TTTS16576	850	230/460	100.0	94.1	29.01	C, US
50	1800	326T	824537.00	√	7,464	326TTTNA14532	600	230/460	122.0	93.0	29.60	C, US
50	1200	365T	824563.00	√	10,822	365TTTS16578	1000	230/460	123.0	94.5	30.01	C, US
60	1800	364T	824538.00	√	10,446	364TTTS14531	850	230/460	144.0	93.6	28.88	C, US
60	1200	404T	824564.00	√	14,024	404TTTS16576	1250	230/460	144.0	94.5	34.38	C, US
75	1800	365T	824539.00	√	13,004	365TTTS14533	1000	230/460	178.0	94.1	29.88	C, US
75	1200	405T	824565.00	√	14,750	405TTTS16578	1250	230/460	179.0	95.0	34.38	C, US
100	1800	405T	824540.00	√	16,103	405TTTS14531	1250	230/460	228.0	94.5	34.25	C, US
100	1200	444T	824566.00	√	21,532	444TTTN16578	1990	230/460	240.0	95.4	40.13	C, US
125	1800	444T	824541.00	√	20,731	444TTTN14531	1990	460	143*	94.5	40.03	C, US
125	1200	445T	824567.00	√	23,936	445TTTN16579	2343	460	148*	95.4	40.05	C, US
150	1800	445T	824542.00	√	24,685	445TTTN14532	2343	460	172*	95.0	40.13	C, US
150	1200	445T	824568.00	√	27,071	445TTTN16578	2556	460	181*	95.8	40.13	C, US
200	1800	445T	824543.00	C/A	29,465	445TTTN14533	2556	460	225*	95.0	40.13	C, US
200	1200	449T	824569.00	C/A	34,405	449TTTS16577	2409	460	240*	95.8	48.62	C, US
250	1800	449T	824544.00	C/A	28,473	449TTTS14531	2409	460	290*	95.0	48.62	C, US
250	1200	449T	824570.00	C/A	38,113	449TTTS16576	2409	460	300*	95.8	48.62	C, US

C/A - Check Availability
* - Amps at 460 Volts

♥ Note listing on inside back flap
Specifications are subject to change without notice



*Inpro is believed to be the trademark or trade name of INPRO/SEAL LLC and is not controlled by Regal Beloit Corporation.

Pump Motors
Washguard Motors
Agricultural Duty Motors
HVAC / Fan Motors
Special Voltage Motors
Definite Purpose Motors
Brake Motors
IEC Motors
DC Motors

Kiln Duty Motors

TEAO - Severe Duty



Applications:

Fans found in kilns and other high ambient temperature environments where long life and high efficiency are desired. These TEAO motors must be mounted within the airstream for proper cooling. Suitable for use on variable frequency drives.

Features:

- Cast iron construction for rigidity and reduced vibration
- Internal and external epoxy paint
- IRIS® Inverter duty insulation system
- Class H insulation system
- Normally closed thermostats (one per phase, Class H)
- Heat stabilized ball bearings and high temperature grease
- Suitable for inverter use for 20:1 variable torque with 1.0 S.F. in 90°C ambient
- Suitable for 90°C ambient at 1.15 S.F. or 100°C ambient at 1.0 S.F.
- Extended grease tubes, regreasable in service
- 8 foot leads
- UL Recognized and CSA certified

Three Phase - TEAO - Rigid Base

HP	RPM 60 Hz	NEMA Frame	Catalog Number	Stock	List Price	Model Number	App. Wgt. (lbs)	Voltage	FL. Amps @ 230V	% FL. EFF.	"C" Dim. (Inches)	♥Notes
2	1800	145T	824573.00	√	2,101	145TTTTN16635	68	460	2.8	85.5	11.43	C, US
2	1200	184T	824574.00	√	2,906	184TTTS18577	115	460	3.0	87.5	13.71	C, US
3	1800	182T	824575.00	√	2,841	182TTTS18532	99	460	3.9	90.2	13.71	C, US
3	1200	213T	824576.00	√	3,086	213TTTS17077	175	460	4.3	89.5	15.69	C, US
5	1200	215T	824577.00	√	3,553	215TTTS17077	185	460	6.9	87.5	17.19	C, US
7 1/2	1200	254T	824578.00	√	4,358	254TTTNA17078	660	460	9.8	90.2	20.60	C, US
10	1200	256T	824579.00	√	4,997	256TTTNA16579	140	460	12.8	91.0	22.35	C, US
10	900	284T	824580.00	√	5,180	284TTTNA17103	475	460	15.2	88.5	23.44	C, US
15	1800	254T	824581.00	√	4,113	254TTTNA16546	276	460	18.2	92.4	20.60	C, US
15	1200	284T	824582.00	√	5,985	284TTTNA16580	425	460	20.5	91.7	23.44	C, US
20	1200	286T	824583.00	√	6,554	286TTTNA16577	520	460	27.0	91.7	24.94	C, US
20	900	324T	824584.00	C/A	8,009	324TTTS16604	536	460	29.5	90.2	26.00	C, US
25	1200	324T	824585.00	C/A	8,234	324TTTS16580	675	460	33.0	92.4	26.00	C, US
30	1200	326T	824586.00	C/A	8,719	326TTTS16580	725	460	38.0	93.0	27.50	C, US

Shaded model numbers are cast iron frame

♥ Note listing on inside back flap
Specifications are subject to change without notice

C/A - Check Availability

Custom **PDQ**



PDQ Modular Production Program

Custom Multi-Speed, Low Speed and Modified Motors, one or several at a time, on a quick turnaround basis.

LEESON's "Modular Production" utilizes specially designed and standard components to make almost any imaginable NEMA frame multi-speed or low-speed motor available when you need it.

Quick Turnaround-LEESON's Custom PDQ can provide quick answers to inquiries and fast turnaround for orders of highly customized motors.

Comprehensive Catalog - Features the industry's most extensive two-speed and low speed motor selection as well as a listing of commonly requested modifications. Call for your copy of LEESON Catalog 1057 - Multi-Speed, Low-Speed and Modified Motors.

Full Fact Acknowledgement - With Custom PDQ all custom motors are promptly and fully acknowledged upon receipt of order. The acknowledgement includes the complete motor specification pricing and shipping date.

Motors of 254T frame and larger are of cast iron construction with all the rugged features of LEESON's stock single-speed motors described on pages 38 & 39 of this catalog. All two-speed designs are class F insulated and have a 1.15 S.F.



Whether for the everyday or not-so-everyday needs, Custom PDQ gives you the ability to say "Yes" to requests for customized motors.

Multi-speed

Two, three and four-speed motors

Low Speed

900, 720, 600, 450 and 300 rpm

Modified as per Catalog 1057 - Some examples are:

- Anti-condensation heaters
- Brakemotors, custom
- Cooling tower specifications
- Downsized frames
- Epoxy and fungus proofing
- 50 Hz
- Premium-efficiency, North American manufacture
- Insulation, special
- Marine duty (below deck)
- Part winding (low and high voltages)
- Shafts, modified
- Thermostats
- Thermistors
- Washdown service
- IEEE841 conversion of WATSAVER® motors
- Voltages (non-standard)

...and many more

Special Voltage Motors

**General Purpose – Totally Enclosed & Drip-Proof - 575 Volt - 200/400 Volt
50 HZ - Medium Voltage Designs
Steel Frame – Aluminum Frame – Cast Iron Frame**



- Standard, EPart and premium efficient ratings
- Inverter rated
- Class B insulation systems – 42, 48 and 56 frames
- Class F insulation system – 140 frame and higher
- Shielded ball bearings for direct coupled applications.
Contact your local sales office for belted load applications
- Rolled steel, aluminum, and cast iron frame material designs
- Continuous duty
- Dynamically balanced rotors
- Torques exceed NEMA® performance standards
- UL recognized and CSA certified

Applications:

For use where special voltages are required. Ideally suited for use on pumps, compressors, fans, blowers, conveyors, machine tools and other industrial applications



Pump
Motors

Washguard
Motors

Agricultural
Duty Motors

HVAC / Fan
Motors

Special Voltage
Motors

Definite
Purpose Motors

Brake Motors

IEC Motors

DC Motors

Special Voltage Motors

575 Volt - Three Phase - TEFC



Three Phase - TEFC - Rigid Base

HP	RPM 60 Hz	NEMA Frame	▼ Catalog Number	Stock	List Price	Model Number	App. Wgt. (lbs)	Voltage	FL. Amps @ 575V	% F.L. Eff.	Service Factor	"C" Dim. (Inches)	♥Notes
1/2	3600	56	110714.00	√	442	C6T34NB6	25	575	0.6	82.5	1.15	10.40	S, US, 12
1/2	1800	56	110199.00	√	482	C6T17NB4	25	575	0.8	78.5	1.15	9.88	S, US, 12
1/2	1800	56	LM24154	√	503	SRF4S.5T65	22	575	0.9	70.0	1.25	10.72	S, MX
1/2	1800	S56	101051.00	√	482	C4T17FH3	24	575	0.8	68.0	1.15	9.94	S, MX
1/2	1200	56	LM24295	C/A	727	SRF6S0.5T65	24	575	1.1	68.0	1.15	11.82	S, MX
3/4	3600	56	110354.00	√	486	C6T34FB8	22	575	0.9	75.5	1.15	10.81	S, US
3/4	1800	56	110178.00	√	512	C6T17FB3	22	575	1.1	77.0	1.15	10.81	S, US
3/4	1200	56	111394.00	√	729	C6T11FB8	30	575	1.2	75.5	1.15	11.81	S, US
1	3600	56	110715.00	√	569	C6T34FB15	24	575	1.3	77.0	1.15	10.81	S, US
1	1800	56	119539.00	√	792	C6T17FB184	31	575	1.3	85.5	1.15	12.93	S, MX
1	1800	143T	121937.00	√	819	C143T17FB29	32	575	1.1	85.5	1.15	13.25	S, US
1	1200	145T	121938.00	√	969	C145T11FB31	47	575	1.4	82.5	1.25	13.43	S, US
1 1/2	3600	145T	121939.00	√	838	C145T34FB41	33	575	1.6	84.0	1.25	13.25	S, US
1 1/2	1800	56	119540.00	√	834	C6T17FB185	33	575	1.9	86.5	1.15	12.98	S, US
1 1/2	1800	145T	121940.00	√	850	C145T17FB90	34	575	1.8	86.5	1.15	13.43	S, US
1 1/2	1200	182T	132251.00	√	1,413	C182T11FB13	89	575	2.5	87.5	1.15	14.46	S, MX
2	3600	145T	121941.00	√	916	C145T34FB42	44	575	2.1	85.5	1.15	13.43	S, US
2	1800	145T	121942.00	√	885	C145T17FB91	45	575	2.2	86.5	1.15	14.43	S, US
2	1200	184T	132252.00	√	1,439	C184T11FB26	92	575	2.9	88.5	1.15	14.96	S, MX
3	3600	182T	171624.60	√	1,271	C182T34FB7	66	575	3.0	86.5	1.15	13.96	C, CN
3	3600	182T	LM16383	D	937	AF2P3T65	72	575	3.0	85.5	1.25	14.19	A, US
3	3600	182T	LM33601	C/A	1,047	AF2B3T65AP26	83	575	3.1	86.5	1.25	14.96	A, MX
3	1800	182T	132253.00	√	1,002	C182T17FB52	80	575	3.3	89.5	1.15	14.96	S, MX
3	1800	182T	LM16384	D	844	AF4P3T65	77	575	3.4	87.5	1.25	14.19	A, US
3	1800	182T	LM33603	C/A	1,057	AF4B3T65AP26	83	575	3.4	89.5	1.25	14.19	A, MX
5	3600	184T	132254.00	√	1,136	C184T34FB24	88	575	4.8	88.5	1.15	16.46	S, MX
5	1800	184T	132255.00	√	1,101	C184T17FB64	94	575	5.2	89.5	1.15	15.96	S, MX
5	1800	184T	LM34215	√	1,224	AF4B5T65AP26	95	575	5.1	89.5	1.00	14.96	A, MX
5	1200	215T	LM16388	D	1,768	AF6P5T65	155	575	6.0	87.5	1.25	18.70	A, US
5	1200	215T	LM34214	√	2,005	AF6B5T65	159	575	5.5	89.5	1.00	18.84	A, US
5	900	254T	LM34117	C/A	2,953	AF8B5T65	165	575	6.0	86.5	1.15	23.51	A, US
7 1/2	3600	213T	170196.60	√	1,621	C213T34FB43	156	575	7.4	90.2	1.25	19.84	C, CN
7 1/2	1800	213T	141291.00	√	1,415	C213T17FB24	144	575	7.7	91.7	1.15	18.73	S, MX
7 1/2	1800	213T	LM16391	D	1,567	AF4P7.5T65	160	575	8.0	91.0	1.25	19.70	A, US
7 1/2	1800	213T	LM34216	√	1,926	AF4B7.5T65	162	575	7.7	91.7	1.00	18.84	A, US
10	3600	215T	170197.60	√	1,921	C215T34FB48	181	575	9.5	91.7	1.25	19.61	C, CN
10	1800	215T	170212.60	√	1,865	C215T17FB44	177	575	10.1	91.7	1.25	19.61	C, CN
10	1800	215T	LM34217	√	2,042	AF4B10T65	165	575	10.7	91.7	1.00	18.84	A, US

Shaded model numbers are cast iron frame

Continued To Next Page

▼ LM Numbers are Lincoln Models
Green items are Premium Efficient

♥ Note listing on inside back flap
 Specifications are subject to change without notice

D - Item to be discontinued once inventory is depleted

C/A - Check Availability

Note 12 - TENV

Other stock 575V motors are available from LEESON through our Canadian facility.



Pump
Motors

Washguard
Motors

Agricultural
Duty Motors

HVAC / Fan
Motors

Special Voltage
Motors

Definite
Purpose Motors

Brake Motors

IEC Motors

DC Motors

Special Voltage Motors

575 Volt - Three Phase - TEFC

Three Phase - TEFC - Rigid Base

HP	RPM 60 Hz	NEMA Frame	▼ Catalog Number	Stock	List Price	Model Number	App. Wgt. (lbs)	Voltage	FL. Amps @ 575V	% FL. Eff.	Service Factor	"C" Dim. (Inches)	♥Notes
15	3600	254T	170198.60	√	2,609	C254T34FB5	282	575	13.8	92.4	1.25	23.19	C, CN
15	1800	254T	170116.60	√	2,981	C254T17FB11	280	575	14.8	92.4	1.25	23.19	C, CN
15	1800	254T	LM17076	√	3,143	AF4B15T65	240	575	15.6	92.4	1.25	23.40	A, US
20	3600	256T	170199.60	√	3,190	C256T34FB11	316	575	18.4	92.4	1.25	24.92	C, CN
20	1800	256T	170117.60	√	3,158	C256T17FB5	322	575	19.2	93.0	1.25	24.92	C, CN
20	1800	256T	LM17079	C/A	3,087	AF4B20T65	295	575	21.0	93.0	1.25	25.15	A, US
25	3600	284TS	170224.60	√	4,148	C284T34FB6	383	575	22.0	93.0	1.25	24.88	C, CN
25	1800	284T	170118.60	√	3,917	C284T17FB6	385	575	23.7	93.6	1.25	26.26	C, CN
30	3600	286TS	170228.60	√	4,896	C286T34FB6	385	575	26.2	93.0	1.25	26.46	C, CN
30	1800	286T	170119.60	√	4,564	C286T17FB6	432	575	29.0	94.1	1.25	27.83	C, CN
30	1800	286T	LM20086	C/A	4,807	AF4B30T65Y	585	575	30.0	93.6	1.25	27.88	A, US
40	3600	324TS	170232.60	√	6,106	C324T34FB4	504	575	36.0	93.6	1.25	28.03	C, CN
40	1800	324T	170120.60	√	6,062	C324T17FB6	528	575	38.1	94.1	1.25	29.53	C, CN
40	1800	324T	LM14408	C/A	9,216	SF4B40T65Y	504	575	42.4	94.1	1.25	28.50	S, US
50	3600	326TS	LM14410	C/A	8,284	SF2B50TS65Y	558	575	45.0	93.0	1.15		S, US
50	1800	326T	170121.60	√	7,321	C326T17FB8	587	575	46.7	94.5	1.25	31.02	C, CN
50	1800	326T	LM14411	C/A	9,413	SF4B50T65Y	558	575	51.6	94.5	1.25		S, US
60	3600	364TS	LM18370	C/A	10,274	SF2B60TS65Y	765	575	53.0	95.0	1.25	29.77	S, US
60	1800	364T	170239.60	√	10,413	C364T17FB7	988	575	54.4	95.4	1.25	32.64	C, CN
60	1800	364T	LM18369	C/A	12,720	SF4B60T65Y		575	58.0	95.0	1.25	31.90	S, US
75	3600	365TS	LM18376	C/A	13,236	SF2B75TS65Y	822	575	66.5	95.0	1.25	30.77	S, US
75	1800	365T	170244.60	√	12,995	C365T17FB5	1050	575	68.7	95.8	1.25	33.62	C, CN
75	1800	365T	LM18375	C/A	12,738	SF4B75T65Y	822	575	73.0	95.4	1.25	32.90	S, US
100	3600	405TS	LM18290	C/A	15,510	SF2B100TS65Y	1002	575	85.0	94.1	1.15	35.40	S, US
100	1800	405T	170253.60	√	16,159	C405T17FB5	1070	575	89.6	95.4	1.25	37.91	C, CN
100	1800	405T	LM18307	C/A	15,388	SF4B100T65Y	1002	575	97.5	95.4	1.15	38.40	S, US
100	1200	444T	LM15121	C/A	22,242	SF6B100T65Y	1351	575	109.0	95.4	1.15	41.58	S, US
125	3600	444TS	LM15119	C/A	23,848	SF2B125TS65Y	1351	575	106.0	95.8	1.15	37.49	S, US
125	1800	444T	LM15120	C/A	20,571	SF4B125T65Y	1351	575	117.0	95.4	1.15	41.58	S, US
150	3600	445TS	LM34432	C/A	24,724	SF2B150TS65Y	1504	575	—	95.0	1.15	—	S, US
150	1800	445T	LM15126	C/A	25,860	SF4B150T65Y	1531	575	136.0	96.2	1.15	43.56	S, US
200	3600	445TS	LM15122	C/A	31,659	SF2B200TS65Y	1531	575	—	96.2	1.15	—	S, US
200	1800	445T	LM15123	C/A	31,131	SF4B200T65Y	1531	575	188.0	96.2	1.15	43.58	S, US
250	3600	447TS	LM34340	C/A	37,270	SF2B250TS65Y	1812	575	—	95.8	1.00	—	S, US
250	1800	447T	LM15130	C/A	37,152	SF4B250T65Y	1812	575	226.0	96.2	1.15	47.08	S, US
300	3600	449TS	LM15138	C/A	56,255	S449F2B300TS65Y	2185	575	—	95.8	1.15	—	S, US
300	1800	449T	LM15129	C/A	40,670	SF4B300T65Y	1812	575	282.0	96.2	1.15	47.08	S, US

Shaded model numbers are cast iron frame

♥ Note listing on inside back flap
Specifications are subject to change without notice

▼ LM Numbers are Lincoln Models

Green items are Premium Efficient

D - Item to be discontinued once inventory is depleted

C/A - Check Availability

Other stock 575V motors are available from LEESON through our Canadian facility.



Special Voltage Motors

575 Volt - TEFC - C Face Less Base

Three Phase - TEFC - C Face Less Base

HP	RPM 60 Hz	NEMA Frame	Catalog Number	Stock	List Price	Model Number	App. Wgt. (lbs)	Voltage	FL Amps @ 575V	% FL Eff.	Service Factor	"C" Dim. (Inches)	♥Notes
1/2	1800	56C	110176.00	√	512	C6T17NC10	20	575	0.8	79.0	1.15	9.94	S, US, 12
3/4	1800	56C	110177.00	√	549	C6T17FC7	21	575	1.1	77.0	1.15	10.81	S, US, 13
1	1800	56C	119542.00	√	944	C6T17FC251	34	575	1.3	85.5	1.15	12.48	S, US, 13
1	1800	143TC	122227.00	√	944	C143T17FC46	35	575	1.3	85.5	1.15	12.67	S, US, 13
1 1/2	1800	56C	119543.00	√	996	C6T17FC252	37	575	1.9	86.5	1.15	12.98	S, US, 13
1 1/2	1800	145TC	122228.00	√	996	C145T17FC134	38	575	1.9	86.5	1.15	13.75	S, US, 13
2	3600	56C	119544.00	√	993	C6T34FC133	42	575	1.9	85.5	1.15	12.98	S, US, 13
2	1800	145TC	122229.00	√	993	C145T17FC129	43	575	2.3	86.5	1.15	13.92	S, US, 13
3	1800	182TC	132461.00	√	1,122	C182T17FC43	75	575	3.1	89.5	1.15	13.97	S, US, 13
5	1800	184TC	132462.00	√	1,211	C184T17FC52	99	575	5.1	89.5	1.15	15.47	S, MX, 13

Green items are Premium Efficient

Note 12 - TENV

Note 13 - TEFC

Other stock 575V motors are available from LEESON through our Canadian facility.

♥ Note listing on inside back flap
Specifications are subject to change without notice

Three Phase - TEFC - C Face With Base

HP	RPM 60 Hz	NEMA Frame	▼ Catalog Number	Stock	List Price	Model Number	App. Wgt. (lbs)	Voltage	FL Amps @ 575V	% FL Eff.	Service Factor	"C" Dim. (Inches)	♥Notes
1/2	1800	56C	LM24355	C/A	557	SRF4S0.5TC65	18	575	0.9	70.0	1.15	10.69	S, MX
3/4	1800	56C	LM24354	C/A	594	SRF4S0.75TC65	21	575	1.1	75.5	1.15	11.19	S, MX
1	3600	56C	LM34221	C/A	684	SRF2B1TC65	25	575	1.3	77.0	1.15	xxxx	S, US
1	1800	56C	LM34218	√	977	SRF4B1TC65	26	575	1.4	85.5	1.15	xxxx	S, MX
1	1800	143TC	LM34222	C/A	977	SSF4B1TC65	41	575	1.2	85.5	1.25	xxxx	S, MX
1 1/2	3600	56C	LM34225	C/A	873	SRF2B1.5TC65	41	575	1.9	84.0	1.15	xxxx	S, MX
1 1/2	1800	56HC	LM34223	√	1,013	SRF4B1.5TC65	31	575	1.9	86.5	1.15	xxxx	S, MX
1 1/2	1800	145TC	LM34224	C/A	1,013	SSF4B1.5TC65	49	575	1.7	86.5	1.15	xxxx	S, MX
2	3600	56HC	LM34227	C/A	878	SRF2B2TC65	31	575	2.4	85.5	1.15	xxxx	S, US
2	1800	56HC	LM34228	C/A	1,059	SRF4B2TC65	50	575	2.3	86.5	1.15	xxxx	S, US
2	1800	145TC	LM34229	C/A	1,059	SSF4B2TC65	51	575	2.3	86.5	1.15	xxxx	S, MX
3	3600	182TC	LM33611	C/A	1,282	AF2B3TC65AP26	95	575	3.1	87.5	1.25	15.19	A, MX
3	1800	182TC	LM33613	C/A	1,135	AF4B3TC65AP26	95	575	3.2	89.5	1.25	15.19	A, MX
5	3600	184TC	LM33615	C/A	1,461	AF2B5TC65AP26	104	575	5.0	88.5	1.25	15.19	A, MX
5	1800	184TC	LM33617	C/A	1,317	AF4B5TC65AP26	104	575	5.0	89.5	1.25	16.19	A, MX
5	1200	215TC	LM34230	C/A	2,101	AF6B5TC65	149	575	6.0	89.5	1.25	18.70	A, US

▼ LM Numbers are Lincoln Models

Green items are Premium Efficient

C/A - Check Availability

Continued To Next Page

♥ Note listing on inside back flap
Specifications are subject to change without notice



Pump
Motors

Washguard
Motors

Agricultural
Duty Motors

HVAC / Fan
Motors

Special Voltage
Motors

Definite
Purpose Motors

Brake Motors

IEC Motors

DC Motors

Special Voltage Motors

TEFC - 575 Volt - C Face With Base

Three Phase - TEFC - C Face With Base

HP	RPM 60 Hz	NEMA Frame	▼ Catalog Number	Stock	List Price	Model Number	App. Wgt. (lbs)	Voltage	FL. Amps @ 575V	% FL. Eff.	Service Factor	"C" Dim. (Inches)	♥Notes
7 1/2	3600	213TC	LM17186	C/A	1,771	AF2B7.5TC65	138	575	7.2	91.0	1.25	17.20	A, US
7 1/2	1800	213TC	LM17187	C/A	1,708	AF4B7.5TC65	138	575	8.0	91.0	1.25	19.70	A, US
10	3600	215TC	LM17189	C/A	2,212	AF2B10TC65	149	575	9.4	91.0	1.25	19.61	A, US
10	1800	215TC	LM17190	C/A	2,130	AF4B10TC65	149	575	10.8	91.0	1.25	18.70	A, US
15	3600	254TC	LM17192	C/A	2,916	AF2B15TC65	221	575	13.8	91.7	1.25	23.19	A, US
15	1800	254TC	LM17193	C/A	2,627	AF4B15TC65	221	575	15.6	92.4	1.25	23.40	A, US
20	3600	256TC	LM17195	C/A	3,445	AF2B20TC65	248	575	18.8	91.7	1.25	24.24	A, US
20	1800	256TC	LM17196	C/A	3,262	AF4B20TC65	248	575	21.0	93.0	1.25	25.15	A, US
25	3600	284TSC	LM17198	C/A	4,826	AF2B25TSC65	370	575	22.8	93.0	1.25	25.12	A, US
25	1800	284TC	LM17199	C/A	4,373	AF4B25TC65	370	575	26.4	94.1	1.25	26.62	A, US
30	3600	286TSC	LM20087	C/A	5,389	AF2B30TSC65Y	415	575	26.4	93.0	1.25	26.62	A, US
30	1800	286TC	LM20088	C/A	5,683	AF4B30TC65Y	415	575	30.0	94.5	1.25	28.12	A, US
40	3600	324TSC	LM14561	C/A	6,911	SF2B40TSC65Y	514	575	36.0	94.1	1.25	28.03	S, US
40	1800	324TC	LM14562	C/A	6,658	SF4B40TC65Y	514	575	42.4	94.1	1.25	28.50	S, US
50	3600	326TSC	LM14564	C/A	8,668	SF2B50TSC65Y	568	575	45.0	94.1	1.25	28.50	S, US
50	1800	326TC	LM14565	C/A	7,914	SF4B50TC65Y	568	575	51.6	95.0	1.25	30.00	S, US
60	3600	364TSC	LM20037	C/A	10,887	SF2B60TSC65Y	777	575	53.0	95.0	1.25	29.77	S, US
60	1800	364TC	LM20038	C/A	11,342	SF4B60TC65Y	778	575	58.0	95.0	1.25	31.90	S, US
75	3600	365TSC	LM20040	C/A	13,853	SF2B75TSC65Y	834	575	66.5	95.0	1.25	30.77	S, US
75	1800	365TC	LM20041	C/A	13,736	SF4B75TC65Y	834	575	73.0	95.0	1.15	32.90	S, US
100	3600	405TSC	LM20043	C/A	19,329	SF2B100TSC65Y	1018	575	84.0	95.8	1.15	33.87	S, US
100	1800	405TC	LM20044	C/A	17,277	SF4B100TC65Y	1001	575	97.5	95.4	1.15	36.87	S, US

▼ LM Numbers are Lincoln Models

Green items are Premium Efficient

C/A - Check Availability

♥ Note listing on inside back flap

Specifications are subject to change without notice





Special Voltage Motors

575 Volt Motors - Drip-Proof - Rigid Base

Three Phase - Drip-Proof - Rigid Base

HP	RPM 60 Hz	NEMA Frame	▼ Catalog Number	Stock	List Price	Model Number	App. Wgt. (lbs)	Voltage	FL Amps @ 575V	% FL Eff.	Service Factor	"C" Dim. (Inches)	♥Notes
1/3	1800	56	LM25054	D	382	SRD4S0.33T65	15	575	0.6	65.5	1.15	9.97	S, MX
1/3	1800	56	LM34061	√	492	SRD4B0.33T65	23	575	0.48	73.4	1.15	11.22	S, MX
1/2	1800	56	LM34062	C/A	571	SRD4B0.5T65	26	575	0.7	78.2	1.25	11.32	S, MX
3/4	1800	56	LM34063	C/A	630	SRD4B0.75T65	29	575	2.9	81.1	1.15	11.70	S, MX
1	3600	56	LM34064	C/A	707	SRD2B1T65	27	575	1.2	77.0	1.25	11.43	S, US
1	1800	56	LM34065	√	769	SRD4B1T65	33	575	1.2	83.5	1.15	12.07	S, US
1 1/2	3600	56	LM34066	C/A	757	SRD2B1.5T65	35	575	1.7	84.0	1.15	12.70	S, US
1 1/2	1800	56H	LM25061	D	540	SRD4S1.5T65	28	575	1.9	80.0	1.15	10.94	S, MX
1 1/2	1800	56H	LM34067	√	797	SRD4B1.5T65	37	575	1.9	86.5	1.15	14.16	S, MX
2	3600	56H	LM34068	√	884	SRD2B2T65	13	575	2.2	85.5	1.15	13.33	S, US
2	1800	56H	LM25063	D	665	SRD4S2T65	36	575	2.5	81.5	1.15	11.94	S, US
2	1800	56H	LM34069	√	901	SRD4B2T65	42	575	2.4	86.5	1.15	13.44	S, US
3	3600	145T	LM25068	D	663	SSD2P3T65	33	575	—	84.0	1.25	—	S, US
3	1800	182T	LM24227	D	638	SSD4P3T65	83	575	3.0	86.5	1.25	13.72	S, MX
5	3600	182T	LM25069	D	743	SSD2P5T65	88	575	—	86.5	1.25	—	S, MX
5	1800	184T	LM25070	D	711	SSD4P5T65	87	575	5.3	87.5	1.25	14.22	S, MX
7 1/2	3600	184T	LM25071	D	1,023	SSD2P7.5T65	88	575	7.1	87.5	1.15	14.72	S, MX
7 1/2	1800	213T	LM33247	D	1,004	SSD4P7.5T65	121	575	—	88.5	1.25	—	S, MX
10	1800	215T	LM34231	C/A	1,271	SSD4B10T65	138	575	10.0	91.7	1.25	17.29	S, MX
15	1800	254T	LM34118	C/A	2,330	SSD4B15T65	215	575	15.3	93.0	1.25		S, US
20	1800	256T	LM34123	C/A	3,681	SSD4B20T65	233	575	20.8	93.0	1.25		S, US
25	1800	284T	LM34126	C/A	3,477	CCD4B25T65Y	350	575	24.4	93.6	1.25		C, US
30	1800	286T	LM34119	C/A	4,030	CCD4B30T65Y	400	575	28.8	94.1	1.25		C, US
40	1800	324T	LM34120	C/A	8,601	SD4B40T65Y	469	575	42.5	94.1	1.25		S, US
50	1800	326T	LM34341	C/A	8,707	SD4B50T65Y	522	575	52.0	94.5	1.25		S, US
60	1800	364T	LM34342	C/A	11,783	SD4B60T65Y	712	575	58.0	95.0	1.25		S, US
75	1800	365T	LM34121	C/A	11,994	SD4B75T65Y	763	575	75.0	95.0	1.25		S, US
100	1800	404T	LM34127	C/A	13,209	SD4B100T65Y	882	575	96.0	95.4	1.25		S, US
125	1800	405T	LM18306	C/A	10,374	SD4B125T65Y	958	575	122.0	95.4	1.25	33.31	S, US

▼ LM Numbers are Lincoln Models

Green items are Premium Efficient

D - Item to be discontinued once inventory is depleted

C/A - Check Availability

Continued To Next Page

♥ Note listing on inside back flap
Specifications are subject to change without notice



Pump
Motors

Washguard
Motors

Agricultural
Duty Motors

HVAC / Fan
Motors

Special Voltage
Motors

Definite
Purpose Motors

Brake Motors

IEC Motors

DC Motors

Special Voltage Motors

200/400 Volt - Drip-Proof - Rigid Base



Three Phase - Drip-Proof - Rigid Base

HP	RPM 60 Hz	NEMA Frame	▼ Catalog Number	Stock	List Price	Model Number	App. Wgt. (lbs)	Voltage	F.L. Amps @ 200V	% F.L. Eff.	Service Factor	"C" Dim. (Inches)	♥Notes
2	1800	145T	LM34232	C/A	856	SSD4B2T62	48	200/400	6.9	86.5	1.15	14.37	S, MX
3	1800	182T	LM34233	C/A	885	SSD4B3T62	75	200/400	9.2	89.5	1.15	13.19	S, MX
5	1800	184T	132463.00	√	969	C184T17DB87	62	200-208/400-416	13.9	89.5	1.15	14.19	S, MX
7 1/2	1800	213T	141286.00	√	1,216	C213T17DB27	133	200-208/400-416	22.1	91.0	1.15	16.30	S, MX
10	1800	215T	141287.00	√	1,437	C215T17DB63	138	200-208/400-416	30.0	91.7	1.15	17.30	S, MX
15	1800	254T	LM34128	C/A	2,330	SSD4B15T62	164	200/400	44.0	93.0	1.15	22.32	S, US
20	1800	256T	LM34129	C/A	2,687	SSD4B20T62	200	200/400	56.5	93.0	1.15	22.10	S, US
25	1800	284T	LM34130	C/A	4,186	CCD4B25T62Y	278	200/400	73.5	93.6	1.15	24.94	S, US
30	1800	286T	LM30696	C/A	4,381	CCD4B30T62Y	325	200/400	84.0	94.1	1.15	26.81	S, US
40	1800	324T	LM32680	D	9,160	SD4P40T62	378	200/400	147.0	93.0	1.15	25.82	S, US
40	1800	324T	LM34149	√	9,327	SD4B40T62	378	200/400	147.0	94.1	1.15	25.82	S, US

Shaded model numbers are cast iron frame

♥ Note listing on inside back flap
Specifications are subject to change without notice

▼ LM Numbers are Lincoln Models

Green items are Premium Efficient

D - Item to be discontinued once inventory is depleted

C/A - Check Availability

200/400 Volt - TEFC - Rigid Base

Three Phase - TEFC - Rigid Base

HP	RPM 60 Hz	NEMA Frame	▼ Catalog Number	Stock	List Price	Model Number	App. Wgt. (lbs)	Voltage	F.L. Amps @ 200V	% F.L. Eff.	Service Factor	"C" Dim. (Inches)	♥Notes
1	1800	56	119552.00	√	809	C6T17FB195	32	200-208	3.2	85.5	1.15	12.73	S, US
1	1800	143T	122231.00	C/A	809	C143T17FB35	33	200-208	3.2	85.5	1.15	12.93	S, US
1 1/2	1800	145T	122232.00	√	840	C145T17FB106	37	200-208	4.8	86.5	1.15	12.93	S, US
2	1800	145T	122233.00	C/A	874	C145T17FB105	45	200-208	6.6	86.5	1.15	13.93	S, US
3	3600	182T	LM33621	C/A	1,024	AF2B3T62AP26	73	200/400	—	86.5	1.15	—	A, MX
3	1800	182T	132465.00	√	988	C182T17FB60	85	200-208/400-416	10.0	89.5	1.15	13.96	S, MX
5	1800	184T	132466.00	√	1,087	C184T17FB76	87	200-208/400-416	15.4	89.5	1.15	14.97	S, MX
5	1800	184T	LM33624	C/A	1,224	AAF4B5T62AP26	80	200/400	15.0	89.5	1.25	15.19	A, MX
7 1/2	1800	213T	141289.00	√	1,396	C213T17FB25	153	200-208/400-416	22.6	91.7	1.15	18.70	S, MX
10	1800	215T	141290.00	√	1,688	C215T17FB34	172	200-208/400-416	30.5	91.7	1.15	20.23	S, MX
15	1800	254T	LM32691	C/A	2,643	AF4P15T62	152	200/400	43.5	92.4	1.15	23.52	A, US
20	1800	256T	LM34134	C/A	3,087	AF4B20T62	202	200/400	58.5	93.0	1.15	25.15	A, US

▼ LM Numbers are Lincoln Models

Green items are Premium Efficient

D - Item to be discontinued once inventory is depleted

C/A - Check Availability

♥ Note listing on inside back flap
Specifications are subject to change without notice



Special Voltage Motors

50 Hertz Motors - Single Phase - Rigid Base

General Specifications:

50 Hz single phase designs produce full rated HP on 50 Hz power supply. Designed for general purpose applications.

Features:

- High efficiency energy saving designs
- Centrifugal switch designed for 50 Hz service
- High torque



Single Phase - Drip-Proof - Rigid Base - IP22

HP	RPM 50 Hz	NEMA Frame	Catalog Number	Stock	List Price	Model Number	App. Wgt. (lbs)	Voltage	F.L. Amps @ 220V	Service Factor	"C" Dim. (Inches)	♥Notes
1/3	1500	56	110394.00	√	510	C6C14DB5	22	110/220	3.2	1.35	9.88	S, US
1/2	3000	56	113901.00	√	455	C6C28DB24	25	110/220	3.8	1.25	10.34	S, US
1/2	1500	56	110395.00	√	646	C6C14DB6	25	110/220	4.1	1.25	10.38	S, US
3/4	3000	56	113902.00	C/A	572	C6C28DB25	27	110/220	5.6	1.25	10.34	S, US
3/4	1500	56	110396.00	√	775	C6C14DB7	30	110/220	5.9	1.25	10.88	S, US
1	3000	56	113903.00	√	635	C6C28DB26	31	110/220	6.6	1.25	10.84	S, US
1	1500	56H	110397.00	√	853	C6C14DB8	35	110/220	6.4	1.15	11.88	S, US, 6
1 1/2	3000	56H	113904.00	√	814	C6C28DB27	37	110/220	8.6	1.15	11.84	S, US
1 1/2	1500	56H	110398.00	√	963	C6K14DB1	43	110/220	8.4	1.15	12.35	S, US, 6, 53
2	3000	56H	113905.00	√	998	C6C28DB28	42	110/220	10.7	1.15	12.34	S, US
2	1500	182T	131553.00	C/A	1,158	C182C14DB3	70	220	11.8	1.15	13.69	S, US
3	3000	56H	113937.00	√	1,181	C6K28DB5	47	220	12.4	1.15	12.84	S, US
3	1500	184T	131554.00	√	1,323	C184C14DB2	80	220	16.8	1.15	14.69	S, MX
5	1500	184T	131555.00	√	2,706	C184K14DB9	95	220	23.2	1.15	15.69	S, MX, 53

C/A - Check Availability

♥ Note listing on inside back flap
Specifications are subject to change without notice



Pump
Motors

Washguard
Motors

Agricultural
Duty Motors

HVAC / Fan
Motors

Special Voltage
Motors

Definite
Purpose Motors

Brake Motors

IEC Motors

DC Motors

Special Voltage Motors

50 Hertz Motors - Single Phase - Rigid Base



Single Phase - TEFC - Rigid Base - IP54

HP	RPM 50 Hz	NEMA Frame	Catalog Number	Stock	List Price	Model Number	App. Wgt. (lbs)	Voltage	F.L. Amps @ 220V	Service Factor	"C" Dim. (Inches)	♥Notes
1/3	3000	56	113916.00	√	471	C6C28FB25	25	110/220	3.2	1.00	10.81	S, US
1/3	1500	56	110423.00	√	594	C6C14FB6	24	110/220	3.2	1.00	10.81	S, US
1/3	1500	56	113908.00	√	601	M6C14FB22	26	110/220	3.2	1.00	10.81	S, US
1/2	3000	56	113917.00	√	503	C6C28FB26	27	110/220	3.8	1.00	11.31	S, US
1/2	1500	56	110064.00	√	682	C6C14FB1	25	110/220	4.1	1.00	11.31	S, US
1/2	1500	56	113909.00	√	682	M6C14FB23	29	110/220	4.1	1.15	11.31	S, US
3/4	3000	56	113918.00	√	572	C6C28FB27	29	110/220	5.6	1.00	11.31	S, US
3/4	1500	56	110065.00	√	780	C6C14FB2	32	110/220	5.9	1.00	11.81	S, US
3/4	1500	56	113910.00	√	809	M6C14FB24	32	110/220	5.9	1.00	11.81	S, US
1	3000	56	113919.00	√	662	C6C28FB28	32	110/220	6.6	1.00	11.81	S, US
1	1500	56H	110066.00	√	939	C6C14FB3	38	110/220	6.4	1.00	12.81	S, US, 6, 53
1	1500	56	113911.00	√	939	M6C14FB25	34	110/220	6.4	1.00	12.31	S, US
1 1/2	3000	56H	113920.00	√	872	C6C28FB29	44	110/220	8.0	1.00	13.31	S, US
1 1/2	1500	56H	110424.00	√	1,064	C6K14FB1	47	110/220	8.6	1.00	13.31	S, US, 6, 53
1 1/2	1500	56H	113929.00	√	969	P6K14FB9	49	110/220	8.6	1.00	13.31	S, US, 6, 53
2	3000	56HZ	113928.00	√	1,055	C6C28FB24	44	110/220	10.7	1.00	13.76	S, US, 3
2	1500	182T	131556.00	√	1,594	C182C14FB6	95	220	11.2	1.00	15.96	S, MX
2	1500	182T	131600.00	C/A	1,574	P182C14FB5	71	220	12.0	1.00	14.96	S, MX
3	3000	145T	121070.00	√	1,297	C145K28FB6	50	220	12.4	1.00	12.84	S, US, 53
3	3000	56H	113936.00	√	1,297	C6K28FB2	48	220	12.4	1.00	13.81	S, US, 53
3	1500	184T	131557.00	√	2,277	C184C14FB6	98	220	15.9	1.00	16.96	S, MX
3	1500	184T	131601.00	√	2,243	P184C14FB7	98	220	15.9	1.00	16.96	S, MX
5	3000	184T	131638.00	√	1,502	C184K28FB2	98	220	20.5	1.00	17.46	S, MX, 53
5	1500	184T	131578.00	√	2,890	C184K14FB5	103	220	21.0	1.00	17.46	S, MX, 53
5	1500	213TZ	140475.00	C/A	2,903	P213K14FB1	163	220	24.5	1.00	18.71	S, MX, 53

C/A - Check Availability

♥ Note listing on inside back flap
Specifications are subject to change without notice

50 Hertz Motors - Single Phase

Single Phase - Drip-Proof - Resilient Base - IP22

HP	RPM 50 Hz	NEMA Frame	Catalog Number	Stock	List Price	Model Number	App. Wgt. (lbs)	Voltage	F.L. Amps @ 220V	Service Factor	"C" Dim. (Inches)	♥Notes
1/3	3000	56	114222.00	√	399	C6C28DR1	24	110/220	3.2	1.35	10.82	S, US
1/3	1500	56	114223.00	C/A	521	C6C14DR18	24	110/220	3.2	1.35	10.81	S, US
1/2	3000	56	114224.00	C/A	466	C6C28DR2	26	110/220	3.8	1.25	11.32	S, US
1/2	1500	56	114225.00	√	650	C6C14DR19	27	110/220	4.1	1.25	11.31	S, US
3/4	3000	56	114226.00	√	566	C6C28DR3	28	110/220	5.6	1.25	11.32	S, US
3/4	1500	56	114227.00	√	776	C6C14DR16	31	110/220	5.9	1.25	11.81	S, US
1	3000	56	114228.00	C/A	644	C6C28DR4	31	110/220	6.6	1.25	11.82	S, US
1	1500	56	114229.00	C/A	856	C6C14DR17	35	110/220	6.4	1.15	12.31	S, US
1 1/2	1500	56H	114231.00	√	961	C6K14DR12	42	110/220	8.4	1.15	13.32	S, US, 53
2	1500	56H	114233.00	√	1,171	C6K14DR13	49	220	9.6	1.15	13.82	S, US

C/A - Check Availability

♥ Note listing on inside back flap
Specifications are subject to change without notice



Single Phase - TEFC - C Face Less Base - IP54

HP	RPM 50 Hz	NEMA Frame	Catalog Number	Stock	List Price	Model Number	App. Wgt. (lbs)	Voltage	Over-load Prot.	F.L. Amps @ 220V	Service Factor	"C" Dim. (Inches)	♥Notes
1/3	1500	56C	113921.00	√	612	M6C14FC5	22	110/220	Man.	3.2	1.00	10.81	S, US
1/2	3000	56C	113912.00	√	525	C6C28FC3	25	110/220	None	3.8	1.00	11.31	S, US
1/2	1500	56C	113922.00	√	701	M6C14FC6	29	110/220	Man.	4.1	1.15	11.31	S, US
3/4	3000	56C	113913.00	√	584	C6C28FC4	28	110/220	None	5.6	1.00	11.31	S, US
3/4	1500	56C	113923.00	√	802	M6C14FC7	31	110/220	Man.	5.9	1.00	11.81	S, US
1	3000	56C	113914.00	√	721	C6C28FC5	32	110/220	None	6.6	1.00	11.81	S, US
1	1500	56C	113924.00	√	844	M6C14FC8	34	110/220	Man.	6.4	1.00	12.31	S, US
1 1/2	3000	56C	113915.00	√	938	C6C28FC6	43	110/220	None	8.0	1.00	13.31	S, US
1 1/2	1500	56C	113925.00	√	1,023	P6K14FC4	42	110/220	Man.	8.6	1.00	13.31	S, US, 53
2	3000	145TC	120990.00	√	1,083	C145K28FC2	47	110/220	None	8.6	1.15	13.75	S, US, 53
2	1500	182TC	131599.00	C/A	1,612	P182C14FC2	70	220	Man.	12.0	1.00	14.97	S, MX

C/A - Check Availability

♥ Note listing on inside back flap
Specifications are subject to change without notice

50 Hertz Motors - Three Phase

General Specifications:

Totally enclosed fan cooled, 12-lead motors designed specifically for 50 Hz service. These motors are intended for equipment built in North America and destined for use in 50 Hz service areas of the world.

Features:

- Suitable for 220/380 volt, 50 Hz, or 440 volt, 50 Hz, three phase power
- Torques exceed NEMA® performance for Design B motors
- Construction meets IP 54 protection standards
- Class F insulation



Three Phase - TEFC - Rigid Base

KW/HP	RPM 50 Hz	NEMA Frame	Catalog Number	Stock	List Price	Model Number	App. Wgt. (lbs)	Voltage	F.L. Amps @ 380V	% F.L. Eff.	Service Factor	"C" Dim. (Inches)	♥Notes
0.18/1/4	1500	48	102685.00	√	495	C4T14FB4	19	220/380/440	1.0	56.0	1.15	9.06	S, MX
0.25/1/3	3000	48	102686.00	√	493	C4T28FB2	19	220/380/440	0.8	60.0	1.15	9.93	S, US
0.25/1/3	1500	48	102688.00	√	594	C4T14FB5	19	220/380/440	1.1	65.0	1.15	9.31	S, MX
0.25/1/3	1500	S56	102183.00	√	556	C4T14FH1	19	220/380/440	1.1	65.0	1.15	9.69	S, MX
0.37/1/2	3000	48	102690.00	C/A	572	C4T28FB1	20	220/380/440	1.0	69.0	1.15	10.43	S, US
0.37/1/2	1500	48	102692.00	√	672	C4T14FB3	20	220/380/440	1.4	72.0	1.15	9.81	S, MX
0.37/1/2	1500	S56	102693.00	√	621	C4T14FH2	20	220/380/440	1.4	72.0	1.15	10.19	S, MX
0.37/1/2	1500	56	114304.00	√	669	C6T14NB1	25	220/380/440	1.0	78.0	1.15	10.38	S, US, 12
0.55/3/4	3000	56	114306.00	C/A	606	C6T28FB4	24	220/380/440	1.8	72.0	1.15	10.81	S, US
0.55/3/4	1500	56	114307.00	√	712	C6T14FB7	27	220/380/440	1.9	74.0	1.15	11.31	S, US
0.75/1	3000	56	114308.00	√	724	C6T28FB5	26	220/380/440	2.4	71.0	1.15	11.31	S, US
0.75/1	1500	56	114888.00	√	720	C6T14FB8	28	220/380/440	2.0	77.0	1.15	11.31	S, US
0.75/1	1500	143T	121096.00	√	720	C143T14FB2	35	220/380/440	2.0	77.0	1.15	12.75	S, US
1.1/1 1/2	3000	145T	121097.00	C/A	745	C145T28FB4	34	220/380/440	2.9	80.0	1.15	12.76	S, US
1.1/1 1/2	1500	145T	121093.00	√	745	C145T14FB13	40	220/380/440	3.3	75.5	1.15	12.75	S, US
1.5/2	3000	145T	121094.00	C/A	807	C145T28FB5	42	220/380/440	3.6	80.0	1.15	12.76	S, US
1.5/2	1500	145T	121095.00	√	844	C145T14FB14	40	220/380/440	3.7	81.5	1.15	13.25	S, US
2.2/3	3000	182T	131480.00	√	1,041	C182T28FB3	58	220/380/440	4.8	82.5	1.15	13.46	S, MX
2.2/3	1500	182T	131459.00	√	997	C182T14FB5	64	220/380/440	4.7	84.0	1.15	13.46	S, MX
3.7/5	3000	184T	131481.00	√	1,226	C184T28FB14	76	220/380/440	7.4	84.0	1.15	14.46	S, MX
3.7/5	1500	184T	131454.00	√	1,136	C184T14FB7	82	220/380/440	8.1	85.0	1.00	15.46	S, MX

C/A - Check Availability
Note 12 - TENV

♥ Note listing on inside back flap
Specifications are subject to change without notice

Special Voltage Motors

50 Hertz Motors - Three Phase



Three Phase - TEFC - C Face Less Base - IP54 Enclosure Protection

KW/HP	RPM 50 Hz	NEMA Frame	Catalog Number	Stock	List Price	Model Number	App. Wgt. (lbs)	Voltage	F.L. Amps @ 380V	% F.L. Eff.	Service Factor	"C" Dim. (Inches)	♥Notes
0.18/1/4	1500	S56C	102184.00	√	525	C4T14FC2	18	220/380/440	1.0	56.0	1.15	9.44	S, MX
0.25/1/3	3000	S56C	102687.00	√	519	C4T28FC2	19	220/380/440	0.8	60.0	1.15	10.31	S, US
0.25/1/3	1500	S56C	102689.00	√	569	C4T14FC4	19	220/380/440	1.1	65.0	1.15	9.69	S, MX
0.25/1/3	1500	56C	114889.00	√	609	C6T14FC5	18	220/380/440	1.1	68.0	1.15	10.31	S, US
0.37/1/2	3000	S56C	102691.00	√	602	C4T28FC1	20	220/380/440	1.0	69.0	1.15	10.81	S, US
0.37/1/2	1500	S56C	102694.00	√	669	C4T14FC3	20	220/380/440	1.4	72.0	1.15	10.19	S, MX
0.37/1/2	1500	56C	114891.00	√	675	C6T14FC4	20	220/380/440	1.2	73.0	1.15	10.81	S, US
0.37/1/2	1200	56C	114892.00	√	745	C6T9FC1	28	220/380/440	1.5	68.0	1.15	11.31	S, US
0.55/3/4	3000	56C	114893.00	√	606	C6T28FC1	24	220/380/440	1.8	72.0	1.15	10.81	S, US
0.55/3/4	1500	56C	114894.00	√	721	C6T14FC6	27	220/380/440	1.9	74.0	1.15	11.31	S, US
0.75/1	3000	56C	114895.00	√	729	C6T28FC3	26	220/380/440	2.4	71.0	1.15	11.31	S, US
0.75/1	1500	56C	114896.00	√	751	C6T14FC7	28	220/380/440	2.0	77.0	1.15	11.31	S, US
0.75/1	1500	143TC	121272.00	√	751	C143T14FC2	31	220/380/440	2.0	77.0	1.15	11.75	S, US
0.75/1	1200	145TC	121273.00	√	864	C145T9FC3	39	220/380/440	2.7	73.0	1.15	13.25	S, US
1.1/1 1/2	3000	143TC	121274.00	C/A	775	C143T28FC1	33	220/380/440	2.9	80.0	1.15	12.25	S, US
1.1/1 1/2	1500	145TC	121275.00	√	784	C145T14FC6	37	220/380/440	3.3	75.5	1.15	12.75	S, US
1.5/2	3000	145TC	121276.00	√	776	C145T28FC1	41	220/380/440	3.6	80.0	1.15	12.75	S, US
1.5/2	1500	145TC	121277.00	√	845	C145T14FC5	40	220/380/440	3.7	81.5	1.15	13.75	S, US
2.2/3	3000	182TC	131505.00	√	1,060	C182T28FC2	59	220/380/440	4.8	82.5	1.15	13.97	S, MX
2.2/3	1500	182TC	131506.00	√	983	C182T14FC3	63	220/380/440	4.7	84.0	1.15	13.97	S, MX
3.7/5	3000	184TC	131507.00	√	1,254	C184T28FC3	75	220/380/440	7.4	84.0	1.15	14.47	S, MX
3.7/5	1500	184TC	131508.00	√	1,123	C184T14FC3	82	220/380/440	8.1	85.0	1.00	15.47	S, MX

C/A - Check Availability

♥ Note listing on inside back flap
Specifications are subject to change without notice

Pump
Motors

Washguard
Motors

Agricultural
Duty Motors

HVAC / Fan
Motors

Special Voltage
Motors

Definite
Purpose Motors

Brake Motors

IEC Motors

DC Motors

Special Voltage Motors

Medium Voltage Motors

2300/4000 Volts - Three Phase - Foot Mount

Pump
Motors

Washguard
Motors

Agricultural
Duty Motors

HVAC / Fan
Motors

Special Voltage
Motors

Definite
Purpose Motors

Brake Motors

IEC Motors

DC Motors

Applications:

Ideally suited for applications requiring heavy duty, large horsepower electric motors. Typical uses include pulp and paper mills, mineral processing, waste management facilities, lumber and wood processing mills, automobile manufacturing plants and other severe duty environments where medium voltage power is available.

Features Frames 447T - 449T:

- Full cast iron construction
- Double shielded radial ball bearings
- Designed for direct coupled loads
(contact your local sales office about belted loads)
- Grease fittings with extended grease tubes
- Internal and external epoxy finish
- Premium Class H insulation system
- Front and rear cast iron bearing caps

Features Frames 5011 - 5013

- Full cast iron construction
- Double shielded radial ball bearings
- Designed for direct coupled loads
(contact your local Sales office about belted loads)
- Grease fittings with extended grease tubes
- Corrosion resistant breather/drains
- Oversized cast iron terminal box
- Internal and external epoxy finish
- Premium Class H insulation system
- Inpro/Seal™* bearing isolators on each end
- Front and rear cast iron bearing caps
- Provision for jacking bolts in all four feet
- Provision for dowel pins in drive end feet
- Grounding points located in terminal box and feet
- 100 ohm platinum winding RTDs as standard on sizes 400 HP and larger

Design ranges include 150 through 350 HP in 4, 6 and 8-pole designs

400 - 500 HP in 4 and 6-pole designs

600 and 700 HP ratings in 4-pole designs

Contact your local sales office for a quote



*Inpro/Seal is believed to be the trademark or trade name of INPRO/SEAL LLC and is not controlled by Regal Beloit Corporation.

Definite Purpose Motors

Pump
Motors

Washguard
Motors

Agricultural
Duty Motors

HVAC / Fan
Motors

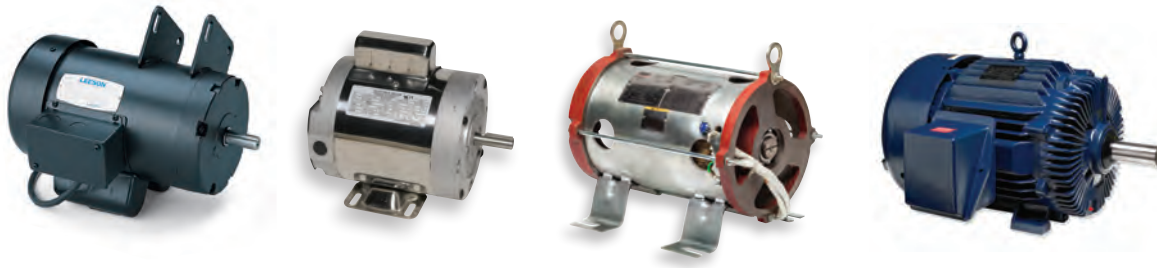
Special Voltage
Motors

Definite
Purpose Motors

Brake Motors

IEC Motors

DC Motors



Product Families Include:

- Compressor Duty Motors – page 249
- Pressure Washer Duty Motors – page 251
- Woodworking Motors – page 253
- Instant Reversing Motors – page 255
- Boat Hoist Motors – page 256
- Two-Speed Motors – page 257
- Crusher Duty Motors – page 258
- Elevator Duty Motors – page 259
- Unit Handling Motors – page 268
- Export Only General Purpose Motors – page 269



Definite Purpose Motors

Compressor Duty Motors

Compressor, Pump and Fan & Blower Duty

Pump Motors

Washguard Motors

Agricultural Duty Motors

HVAC / Fan Motors

Special Voltage Motors

Definite Purpose Motors

Brake Motors

IEC Motors

DC Motors

General Specifications:

Motors designed for air compressor, pump, and fan and blower duty applications which require high breakdown torque and rugged mechanical construction.

Mechanical Features:

- Double shielded ball bearings
- Designed for belted loads

Electrical Features:

- High efficient copper windings
- High starting and breakdown torque
- Dual rotation



Single Phase - Drip-Proof - Rigid Base

HP	RPM 60 Hz	NEMA Frame	▼ Catalog Number	Stock	List Price	Model Number	App. Wgt. (lbs)	Voltage	Over-load Prot.	F. L. Amps @ 230 V	Service Factor	"C" Dim. (Inches)	♥Notes
1	3600	56	110160.00	√	485	M6C34DB6	27	115/230	Man.	6.7	SPEC	11.38	S, US
1	1800	143T	120044.00	√	660	C143C17DB3	38	115/208-230	None	6.4	1.15	11.28	S, US
1	1800	143T	120003.00	√	695	M143C17DB2	33	115/208-230	Man.	6.4	1.15	11.13	S, US
1 1/2	3600	56	110161.00	√	533	P6C34DB7	33	115/230	Man.	10.0	SPEC	11.88	S, US
1 1/2	1800	145T	120042.00	√	730	C145K17DB5	38	115/208-230	None	8.6	1.15	12.28	S, US, 53
1 1/2	1800	145T	LM24687	√	766	SSD4S1.5T1C602	41	115/208-230	None	8.6	1.15	12.49	S, US
1 1/2	1800	145T	120004.00	√	927	P145K17DB3	40	115/208-230	Man.	8.6	1.15	12.28	S, US, 53
2	3600	56	110232.00	√	555	M6C34DB11	33	115/230	Man.	11.0	SPEC	11.88	S, US
2	1800	182T	131515.00	√	902	C182C17DB8	56	115/208-230	None	12.4	1.15	13.19	S, MX
2	1800	182T	131536.00	√	965	P182C17DB10	63	115/208-230	Man.	8.8	1.15	10.66	S, MX
3	3600	56Y	110222.00	√	622	M6C34DB13	38	230	Man.	15.0	1.15	12.38	S, US, 36
3	1800	184T	131534.00	√	976	C184C17DB19	69	115/230	None	16.9	1.15	14.19	S, MX
5SPL	3600	56	116523.00	√	751	P6K34DB22	35	208-230	Man.	15.0	1.00	11.44	S, US, 53
5	3600	56Y	111275.00	√	774	P6K34DB5	44	230	Man.	20.8	1.00	13.34	S, US, 36, 53
5	3600	56Y	116789.00	√	798	P6K34DB27	45	230	Man.	20.8	1.00	12.38	S, US, 10, 53
5	3600	145T	120554.00	√	782	P145K34DB1	46	230	Man.	20.8	1.00	13.12	S, US, 53
5	1800	184T	131537.00	√	1,171	C184K17DB31	83	208-230	None	21.0	1.15	14.69	S, MX, 53
5	1800	184T	LM24682	√	1,197	SSD4S5T1B600	87	208-230	None	21.0	1.15	14.69	S, MX, 53
5	1800	184T	131622.00	√	1,400	P184K17DB33	82	208-230	Man.	21.0	1.15	14.69	S, MX, 53
7 1/2	3600	184T	132044.00	√	1,128	C184K34DB8	110	208-230	Tstat	31.0	1.15	16.69	S, MX, 53
7 1/2	3600	213T	140680.00	√	1,905	C213K34DB1	112	208-230	None	29.5	1.15	16.55	S, MX, 53
7 1/2	1800	215T	140155.00	√	1,663	C215K17DB2	113	230	None	36.0	1.15	17.26	S, MX, 53
7 1/2	1800	215T	LM24683	√	1,754	SS215D4S7.5T1B600	118	208-230	None	36.0	1.15	17.26	S, MX, 53
10	3600	215T	140681.00	√	2,409	C215K34DB1	135	208-230	None	37.0	1.15	18.05	S, MX, 53
10	1800	215TZ	140311.00	√	2,430	C215K17DB4	140	230	None	43.0	1.25	19.76	S, MX, 53
10	1800	215TZ	LM24684	√	2,490	SSD4S10T1B600	140	208-230	None	43.0	1.15	19.76	S, MX, 53

▼ LM Numbers are Lincoln Models
5 SPL - Breakdown torque of 5 HP, continuous duty as 3 HP motor

♥ Note listing on inside back flap
Specifications are subject to change without notice



Definite Purpose Motors

Compressor Duty Motors

Pump Motors

Washguard Motors

Agricultural Duty Motors

HVAC / Fan Motors

Special Voltage Motors

Definite Purpose Motors

Brake Motors

IEC Motors

DC Motors

Three Phase - Drip-Proof - Rigid Base

HP	RPM 60 Hz	NEMA Frame	▼ Catalog Number	Stock	List Price	Model Number	App. Wgt. (lbs)	Voltage	F. L. Amps @ 230 V	% FL. Eff.	Service Factor	"C" Dim. (Inches)	♥Notes
1	1800	143T	121003.00	√	711	C143T17DB10	36	208-230/460	3.2	85.5	1.25	12.10	S, US
1	1800	143T	LM24871	√	587	SSD4B1T6	35	230/460	3.2	85.5	1.25	12.00	S, MX
1 1/2	1800	145T	121004.00	√	742	C145T17DB32	35	208-230/460	4.8	86.5	1.25	12.60	S, US
1 1/2	1800	145T	LM24875	√	614	SSD4B1.5T6	45	230/460	4.4	86.5	1.25	13.00	S, MX
2	1800	145T	121005.00	√	841	C145T17DB33	37	208-230/460	5.8	86.5	1.25	13.60	S, US
2	1800	145T	LM24169	√	680	SSD4B2T6	48	230/460	6.0	86.5	1.25	11.50	S, MX
3	1800	182T	131519.00	√	860	C182T17DB37	75	208-230/460	7.8	89.5	1.25	13.70	S, MX
3	1800	182T	LM24222	√	885	SSD4B3T61	75	230/460	8.0	89.5	1.25	13.20	S, MX
5	1800	184T	131520.00	√	969	C184T17DB44	86	230/460	12.8	89.5	1.25	14.70	S, MX
5	1800	184T	LM24202	√	993	SSD4B5T61	91	230/460	12.6	89.5	1.25	14.20	S, MX
7 1/2	1800	213T	140470.00	√	1,216	C213T17DB2	133	230/460	20.6	91.0	1.25	16.30	S, MX
7 1/2	1800	213T	LM24194	√	1,398	SSD4B7.5T6	125	230/460	19.2	91.0	1.25	18.50	S, US
10	1800	215T	140472.00	√	1,437	C215T17DB15	144	230/460	26.8	91.7	1.25	17.30	S, MX
10	1800	215T	LM24193	√	1,562	SSD4B10T6	155	230/460	25.0	91.7	1.25	18.50	S, MX
20	1800	256T	170006.60	√	2,475	C256T17DB5	324	208-230/460	51.0	93.0	1.25	22.60	C, CN
20	1800	256T	LM24199	√	2,687	CCD4B20T6	350	230/460	48.0	93.0	1.25	24.40	C, US

Shaded model numbers are cast iron frame

♥ Note listing on inside back flap
Specifications are subject to change without notice

Green items are Premium Efficient

▼ LM Numbers are Lincoln Models

Three Phase - TEFC - Rigid Base

HP	RPM 60 Hz	NEMA Frame	▼ Catalog Number	Stock	List Price	Model Number	App. Wgt. (lbs)	Voltage	F. L. Amps @ 230 V	% FL. Eff.	Service Factor	"C" Dim. (Inches)	♥Notes
3	1800	182T	131463.00	√	988	C182T17FB32	80	230/460	7.8	89.5	1.15	14.96	S, MX
3	1800	182T	LM32741	√	988	SSF4B3T61	77	230/460	7.8	89.5	1.15	13.96	S, MX
5	1800	182T	131464.00	√	1,087	C184T17FB42	94	230/460	12.8	89.5	1.15	15.96	S, MX
5	1800	182T	LM33266	√	1,087	SSF4B5T61	85	230/460	12.6	89.5	1.15	14.96	S, MX
7 1/2	1800	213T	140450.00	√	1,396	C213T17FB6	144	230/460	21.4	91.7	1.25	18.70	S, MX
7 1/2	1800	213T	LM32805	√	1,289	SSF4B7.5T6	115	230/460	19.4	91.7	1.25	20.23	S, US
10	1800	215T	140451.00	√	1,688	C215T17FB18	161	230/460	26.6	91.7	1.25	19.70	S, MX
10	1800	215T	LM32809	√	1,591	SSF4B10T6	135	230/460	26.0	91.7	1.25	21.48	S, US
15	1800	254T	170066.60	√	2,490	C254T17FB10	280	208-230/460	36.0	92.4	1.25	23.19	C, CN
15	1800	254T	LM24208	√	2,781	CCF4B15T6	322	230/460	37.5	92.4	1.25	25.27	C, US
20	1800	256T	170007.60	√	3,115	C256T17FB4	322	208-230/460	49.0	93.0	1.15	24.92	C, CN

Shaded model numbers are cast iron frame

♥ Note listing on inside back flap
Specifications are subject to change without notice

Green items are Premium Efficient

▼ LM Numbers are Lincoln Models



Definite Purpose Motors

Pressure Washer Motors

Motors specially suited for hot or cold pressure washer applications and other single phase installations requiring minimum starting and running amperages.



Mechanical Features:

- Double shielded ball bearings
- Dynamically balanced rotors

Electrical Features:

- Windings dipped in heavy duty varnish system
- Capacitor start / capacitor run designs to reduce amp draw
- Manual reset overload protection
- High service factor

Single Phase - Drip-Proof - Rigid Base

HP	RPM 60 Hz	NEMA Frame	Catalog Number	Stock	List Price	Model Number	App. Wgt. (lbs)	Voltage	Over- load Prot.	F. L. Amps @ 230 V	Service Factor	"C" Dim. (Inches)	♥Notes
3/4	3600	S56	100053.00	√	475	M4C34DH3	24	115/208-230	Man.	4.9	1.25	10.49	S, MX
3/4	1800	S56	101544.00	C/A	686	M4K17DH2	28	115/230	Man.	4.0	1.25	11.24	S, US, 53
1	3600	56	110097.00	√	490	M6C34DB3	27	115/208-230	Man.	6.0	1.25	10.84	S, US
1	1800	56	113630.00	√	744	M6K17DB33	31	115/208-230	Man.	5.3	1.15	10.84	S, US, 53
1 1/2	3600	56	113631.00	√	651	M6K34DB15	36	115/208-230	Man.	6.2	1.15	11.34	S, US, 53
1 1/2	1800	56H	113266.00	√	868	M6K17DB30	42	115/208-230	Man.	6.7	1.15	12.38	S, US, 6, 53
1 1/2	1800	145T	120004.00	√	927	P145K17DB3	40	115/208-230	Man.	8.6	1.15	12.28	S, US, 53
2	3600	56	113632.00	√	879	P6K34DB16	36	115/208-230	Man.	8.6	1.15	11.34	S, US, 53
2	1800	56H	116704.00	√	927	P6K17DB47	45	115/208-230	Man.	8.6	1.15	12.88	S, US, 6, 53
2	1800	145T	120879.00	√	975	P145K17DB38	53	115/208-230	Man.	8.6	1.15	13.31	S, US
3	3600	56H	116706.00	√	935	M6C34DB75	39	230	Man.	15.0	1.00	12.38	S, US, 6, 53
3	1800	184T	131851.00	C/A	1,153	C184K17DB40	72	208-230	Man.	13.7	1.15	15.22	S, MX, 9
5	3600	56H	116708.00	√	956	P6K34DB26	45	230	Man.	20.8	1.00	13.34	S, US, 6, 53
5	1800	184T	131622.00	√	1,400	P184K17DB33	82	208-230	Man.	21.0	1.15	14.69	S, MX

C/A - Check Availability

♥ Note listing on inside back flap
Specifications are subject to change without notice

Single Phase - TEFC - Rigid Base

HP	RPM 60 Hz	NEMA Frame	Catalog Number	Stock	List Price	Model Number	App. Wgt. (lbs)	Voltage	Over- load Prot.	F. L. Amps @ 230 V	Service Factor	"C" Dim. (Inches)	♥Notes
3/4	3600	56	110108.00	√	501	M6C34FB7	26	115/208-230	Man.	5.0	1.15	11.31	S, US
3/4	1800	56	110022.00	√	680	M6C17FB7	29	115/208-230	Man.	5.4	1.15	11.31	S, US
1	3600	56	110142.00	√	612	M6C34FB2	28	115/208-230	Man.	6.0	1.15	11.81	S, US
1	1800	56	110023.00	√	769	M6C17FB8	29	115/208-230	Man.	6.4	1.15	11.81	S, US
1	1800	143T	120008.00	√	769	M143C17FB2	31	115/208-230	Man.	6.4	1.15	12.75	S, US
1 1/2	3600	56	110109.00	√	842	M6C34FB8	31	115/208-230	Man.	8.5	1.00	12.31	S, US
1 1/2	1800	56H	113333.00	√	871	M6K17FB32	38	115/208-230	Man.	8.6	1.00	12.81	S, US, 6, 53
1 1/2	1800	145T	120009.00	√	871	M145K17FB2	42	115/208-230	Man.	8.6	1.00	13.25	S, US, 53
2	3600	56H	110402.00	√	982	P6C34FB23	41	115/208-230	Man.	10.0	1.00	13.31	S, US, 6, 53
2	3600	145T	120395.00	√	993	P145C34FB5	44	115/208-230	Man.	10.0	1.00	13.75	S, US
2	1800	145T	120867.00	√	1,249	P145K17FB22	48	115/208-230	Man.	9.2	1.00	13.75	S, US, 53
3	3600	56H	116705.00	√	1,024	P6K34FB31	53	230	Man.	14.0	1.00	13.81	S, US, 6, 53
3	1800	184T	131855.00	√	1,384	P184K17FB26	88	208-230	Man.	13.7	1.15	16.86	S, MX, 53
5	3600	184T	132042.00	√	1,730	P184K34FB9	103	230	Man.	19.8	1.15	16.97	S, MX, 53
5	1800	184T	131856.00	√	1,609	P184K17FB25	95	208-230	Man.	21.0	1.00	17.86	S, MX, 53

♥ Note listing on inside back flap
Specifications are subject to change without notice



Pump Motors
Washguard Motors
Agricultural Duty Motors
HVAC / Fan Motors
Special Voltage Motors
Definite Purpose Motors
Brake Motors
IEC Motors
DC Motors

Definite Purpose Motors

Pressure Washer Motors

Pump Motors

Washguard Motors

Agricultural Duty Motors

HVAC / Fan Motors

Special Voltage Motors

Definite Purpose Motors

Brake Motors

IEC Motors

DC Motors

Single Phase - Drip-Proof - C Face With Base

HP	RPM 60 Hz	NEMA Frame	Catalog Number	Stock	List Price	Model Number	App. Wgt. (lbs)	Voltage	Over- load Prot.	F. L. Amps @ 230 V	Service Factor	"C" Dim. (Inches)	♥Notes
1 1/2	3600	56C	114214.00	√	694	M6K34DK8	35	115/208-230	Man.	6.2	1.15	11.34	S, US
1 1/2	1800	56HC	113700.00	√	916	M6K17DK15	38	115/208-230	Man.	7.2	1.15	11.84	S, US, 6, 53
2	3600	56C	114215.00	√	880	P6K34DK9	45	115/208-230	Man.	8.6	1.15	11.34	S, US
2	1800	56HC	113281.00	√	948	P6K17DK12	45	115/208-230	Man.	8.6	1.15	12.88	S, US, 6, 53
3	3600	56HC	116707.00	√	961	M6C34DK5	41	230	Man.	15.0	1.00	12.38	S, US, 6, 53
3	1800	184TC	131853.00	√	1,153	C184K17DK18	87	208-230	Man.	15.4	1.15	15.96	S, MX, 53
5	3600	56HC	116709.00	√	983	P6K34DK18	46	230	Man.	20.8	1.00	13.54	S, US, 6, 53
5	1800	184TC	131630.00	√	1,418	M184K17DK13	77	208-230	Man.	21.0	1.15	14.69	S, MX, 53

♥ Note listing on inside back flap
Specifications are subject to change without notice

Single Phase - TEFC - C Face With Base

HP	RPM 60 Hz	NEMA Frame	Catalog Number	Stock	List Price	Model Number	App. Wgt. (lbs)	Voltage	Over- load Prot.	F. L. Amps @ 230 V	Service Factor	"C" Dim. (Inches)	♥Notes
1/3	1800	56C	116485.00	C/A	695	M6C17FK81	29	115/208-230	Man.	3.2	1.15	10.81	S, US, 57
1/2	1800	56C	116486.00	√	798	M6C17FK80	23	115/208-230	Man.	4.4	1.15	10.81	S, US, 53
3/4	1800	56C	116487.00	√	927	M6C17FK79	30	115/208-230	Man.	5.4	1.15	11.31	S, US, 53
1	3600	56C	115877.00	√	584	M6C34FK78	28	115/208-230	Man.	6.0	1.15	11.81	S, US
1	1800	56C	115879.00	√	779	M6C17FK80	32	115/208-230	Man.	6.4	1.15	11.81	S, US
1 1/2	3600	56C	115024.00	√	795	M6K34FK16	35	115/208-230	Man.	6.2	1.15	12.31	S, US, 53
1 1/2	1800	56HC	116703.00	√	931	M6K17FK50	39	115/208-230	Man.	8.6	1.15	12.81	S, US
2	3600	56HC	114995.00	√	945	P6K34FK15	42	115/230	Man.	9.2	1.15	13.31	S, US, 53
2	1800	145TC	121465.00	√	1,249	P145K17FK10	44	115/208-230	Man.	9.2	1.00	13.75	S, US
3	3600	56HC	115048.00	√	1,034	P6K34FK17	53	208-230	Man.	14.0	1.00	13.81	S, US, 53
3	1800	184TC	131857.00	√	1,765	P14K17FK14	104	230	Man.	13.7	1.15	17.61	S, MX, 53
5	3600	184TC	131632.00	√	1,773	P184K34FK2	103	230	Man.	19.8	1.15	16.97	S, MX
5	1800	184TC	131633.00	√	1,847	P184K17FK11	989	230	Man.	23.0	1.00	16.97	S, MX

C/A - Check Availability

♥ Note listing on inside back flap
Specifications are subject to change without notice



Definite Purpose Motors

Woodworking Motors

Pump Motors

Washguard Motors

Agricultural Duty Motors

HVAC / Fan Motors

Special Voltage Motors

Definite Purpose Motors

Brake Motors

IEC Motors

DC Motors

General Specifications:

- Motors designed for woodworking equipment such as table saws, planers, etc.
- Totally enclosed
- Fully gasketed to prevent dust entry



Single Phase - TEFC - Rigid Base

HP	RPM 60 Hz	NEMA Frame	Catalog Number	Stock	List Price	Model Number	App. Wgt. (lbs)	Voltage	Over- load Prot.	F. L. Amps @ 230 V	Service Factor	"C" Dim. (Inches)	♥Notes
3/4	3600	56	110108.00	√	501	M6C34FB7	26	115/208-230	Man.	5.0	1.15	11.31	S, US
1	3600	56	110142.00	√	612	M6C34FB2	28	115/208-230	Man.	6.0	1.15	11.81	S, US
1 1/2	3600	56	110109.00	√	842	M6C34FB8	34	115/208-230	Man.	8.5	1.00	12.31	S, US
2	3600	56H	110402.00	√	982	P6C34FB23	41	115/208-230	Man.	10.0	1.00	13.31	S, US, 6
2	3600	145T	120395.00	√	993	P145C34FB5	44	115/208-230	Man.	10.0	1.00	13.75	S, US
3	3600	145T	120341.00	√	1,019	C145K34FB3	46	230	None	13.0	1.00	14.25	S, US, 53

♥ Note listing on inside back flap
Specifications are subject to change without notice

Single Phase - TEFC - C Face Less Base

HP	RPM 60 Hz	NEMA Frame	Catalog Number	Stock	List Price	Model Number	App. Wgt. (lbs)	Voltage	Over- load Prot.	F. L. Amps @ 230 V	Service Factor	"C" Dim. (Inches)	♥Notes
3	3600	145TC	120824.00	√	1,101	P145K34FC6	56	230	Man.	13.0	1.00	14.25	S, US, 53

♥ Note listing on inside back flap
Specifications are subject to change without notice

Table Saw Motor

General Specifications:

- Extra high breakdown torque
- 8 ft. cord with 115V plug
- On/off toggle switch
- Replaces Delta motor 62-042



Single Phase - TEFC - Rigid Base

HP	RPM 60 Hz	NEMA Frame	Catalog Number	Stock	List Price	Model Number	App. Wgt. (lbs)	Voltage	Over- load Prot.	F. L. Amps @ 230 V	Service Factor	"C" Dim. (Inches)	♥Notes
1 1/2	3600	56	113627.00	√	1,010	M6C34FB63	39	115/230	Man.	7.5	1.00	12.31	S, US

♥ Note listing on inside back flap
Specifications are subject to change without notice



Definite Purpose Motors

Contractors' Saw Motors

General Specifications:

- Motor pivots on rod for belt tensioning
- Extra high breakdown torques for maximum cutting power
- 3/4" Dia. Shaft, 1-3/4" long with keyway
- Includes 54 inch cord
- Motors 120925.00 and 120997.00 replaces Delta UNISAW motor 83-621 (1-1/2 HP)
- Motors 120728.00 and 120998.00 replaces Delta UNISAW motors 83-651 (3 HP)



Single Phase - TEFC - Delta UNISAW Mounting

HP	RPM 60 Hz	NEMA Frame	Catalog Number	Stock	List Price	Model Number	App. Wgt. (lbs)	Voltage	F. L. Amps @ 230 V	Service Factor	"C" Dim. (Inches)	♥Notes
1	3600	143Y	120925.00	√	904	C143C34FB5	44	115/230	10.0	1.00	12.68	S, US
2	3600	143Y	120997.00	√	992	C143C34FB6	44	115/230	11.0	1.00	12.68	S, US
3	3600	145Y	120728.00	√	1,265	C145K34FB12	52	230	13.0	1.00	13.68	S, US, 53
4	3600	145Y	120998.00	√	1,321	C145K34FB16	48	230	17.6	1.00	13.68	S, US, 53

♥ Note listing on inside back flap
Specifications are subject to change without notice

Contractors' Power Tool Motors

General Specifications:

- Designed for woodworking applications
- Electronic starting switch
- High starting and breakdown torques
- 48 frame model has 1-1/2" long shaft by 1/2" Dia.
- 56 frame models have a 1-7/8" long shaft by 5/8" Dia.
- Shaft extensions, each end, include keyway and flat, 90° apart



Single Phase - Drip Proof - Rigid Base - Double-Shaft

HP	RPM 60 Hz	NEMA Frame	Catalog Number	Stock	List Price	Model Number	App. Wgt. (lbs)	Voltage	F. L. Amps @ 230 V	Service Factor	"C" Dim. (Inches)	♥Notes
1/2	1800	S56Z	101781.00	√	601	C4C17DH106	17	115/208-230	4.4	1.25	12.43	S, US
3/4	3600	48Z	101782.00	C/A	617	C4C34DB15	24	115/208-230	4.9	1.25	12.18	S, US
1	3600	56Z	114216.00	√	646	C6C34DB71	27	115/208-230	6.0	1.25	12.81	S, US

C/A - Check Availability

♥ Note listing on inside back flap
Specifications are subject to change without notice

Definite Purpose Motors

Instant Reversing Motors

Pump Motors

Washguard Motors

Agricultural Duty Motors

HVAC / Fan Motors

Special Voltage Motors

Definite Purpose Motors

Brake Motors

IEC Motors

DC Motors

Parking Gates, Door Operators & Slide Gates

General Specifications:

Specially designed motors for use on "instant-reversing" parking gates, doors, slide gates, or other moderate starting torque instant reversing applications. Capable of frequent reversing service.



Features:

- Instant "plug-reversing" with simple three-wire connection
- Manual overload protected
- Approx. 150% starting torque - not suitable for hard start applications

Single Phase - Drip-Proof - Resilient Base

HP	RPM 60 Hz	NEMA Frame	Catalog Number	Stock	List Price	Model Number	App. Wgt. (lbs)	Voltage	Over- load Prot.	F. L. Amps @ 115 V	Service Factor	"C" Dim. (Inches)	♥Notes
1/3	1625	S56	103794.00	√	554	M4P17DJ29	18	115	Man.	4.2	1.00	10.81	S, MX
1/2	1625	S56	100802.00	√	612	M4P17DJ7	24	115	Man.	6.1	1.00	11.31	S, MX
1/2	1625	S56	103460.00	√	453	5KCP35JNC128	22	115	Man.	5.0	1.00	9.94	S, MX
1/2	1625	S56	103821.00	√	622	M4P17DJ33	25	115	Man.	5.1	1.00	10.81	S, MX, 47
3/4	1625	56H	113642.00	√	730	M6P17DR4	33	115	Man.	8.2	1.00	11.31	S, US

Note 47 - Rated at 50 HZ at full rated HP

♥ Note listing on inside back flap
Specifications are subject to change without notice



Single Phase - Drip-Proof - C Face Less Base

HP	RPM 60 Hz	NEMA Frame	Catalog Number	Stock	List Price	Model Number	App. Wgt. (lbs)	Voltage	Over- load Prot.	F. L. Amps @ 115 V	Service Factor	"C" Dim. (Inches)	♥Notes
1/3	1625	S56C	102017.00	√	546	M4P17DC29	18	115	Man.	4.2	1.00	9.99	S, MX
1/2	1625	S56C	102021.00	√	612	M4P17DC30	22	115	Man.	6.1	1.00	10.49	S, MX
1/2	1625	S56C	100704.00	√	612	M4P17DC7	16	115	Man.	4.1	1.00	10.24	S, MX, *

Note * - Motor has same electrical design as 102017, but is rated for intermittent duty.

♥ Note listing on inside back flap
Specifications are subject to change without notice

Features (Rigid Base):

- Capacitor start, induction run motors with solid state, instant reversing switch
- Manual overload protected



Single Phase - TEFC - Rigid Base

HP	RPM 60 Hz	NEMA Frame	Catalog Number	Stock	List Price	Model Number	App. Wgt. (lbs)	Voltage	Over- load Prot.	F. L. Amps @ 230 V	Service Factor	"C" Dim. (Inches)	♥Notes
3/4	1800	56	114932.00	√	783	P6C17FB113	30	115/208-230	Man.	5.4	1.15	11.31	S, MX
1	1800	56	114933.00	√	857	P6C17FB112	30	115/208-230	Man.	6.4	1.15	11.81	S, MX

♥ Note listing on inside back flap
Specifications are subject to change without notice



Definite Purpose Motors

Boat Hoist Duty Motors

Our Electra Gear line of Boat Hoist Duty motors provide customized features that are needed to support the Boat Hoist Industry.

Features Include:

- Stainless steel frame, base, capacitor case and conduit box cover
- 15 minute duty cycle
- Drain holes located at 6:00 position
- TENV enclosure
- Die cast aluminum endbells
- Capacitor case located at 12:00
- 115/230 Volt – 1.15 S.F.
- UL recognized component listing and CSA approved



Single Phase - TENV - C Face With Base

HP	RPM 60 Hz	NEMA Frame	Catalog Number	Stock	List Price	Model Number	App. Wgt. (lbs)	Voltage	F. L. Amps @ 230 V	"C" Dim. (Inches)	♥Notes
1/2	1800	56C	6439191250	√	470	6439191250	23	115/230	4.1	10.5	S, CN
3/4	1800	56C	6439191251	√	508	6439191251	26	115/230	4.9	11.1	S, CN
1	1800	56C	6439191252	√	552	6439191252	33	115/230	6.8	11.7	S, CN
1 1/2	1800	56C	6439191253	√	644	6439191253	47	115/230	8.4	12.6	S, CN

♥ Note listing on inside back flap
Specifications are subject to change without notice

Single Phase - TENV - C Face Less Base

HP	RPM 60 Hz	NEMA Frame	Catalog Number	Stock	List Price	Model Number	App. Wgt. (lbs)	Voltage	F. L. Amps @ 230 V	"C" Dim. (Inches)	♥Notes
1/2	1800	56C	6439191260	√	454	6439191260	22	115/230	4.1	10.5	S, CN
3/4	1800	56C	6439191261	√	493	6439191261	24	115/230	4.9	11.1	S, CN
1	1800	56C	6439191262	√	539	6439191262	32	115/230	6.8	11.7	S, CN
1 1/2	1800	56C	6439191263	√	628	6439191263	46	115/230	8.4	12.6	S, CN
2	1800	56C	6439191264	√	709	6439191264	48	115/230	9.0	13.4	S, CN

♥ Note listing on inside back flap
Specifications are subject to change without notice

Definite Purpose Motors

Two-Speed Motors

Three Phase - Variable and Constant Torque Designs



General Specifications:

Two-speed, single winding design motors.
See page 225 for typical characteristic speed torque curves.

Variable Torque - 460 Volt - One Winding - TEFC - Rigid Base - 1800/900 RPM

HP	RPM 60 Hz	NEMA Frame	Catalog Number	Stock	List Price	Model Number	App. Wgt. (lbs)	Voltage	F. L. Amps @ 460 V	Service Factor	"C" Dim. (Inches)	Notes
1/2.5	1800/900	143T	120945.00	C/A	1,037	C143T48FB7	36	460	1.6-0.7	1.00	12.75	S, US
1.5/3.7	1800/900	145T	120941.00	√	1,079	C145T48FB60	36	460	2.4-1.0	1.00	12.75	S, US
2/5	1800/900	145T	120940.00	C/A	1,258	C145T48FB48	36	460	3.2-1.3	1.00	12.75	S, US
3/7.5	1800/900	184T	131474.00	C/A	1,348	C184T48FB67	77	460	4.0-1.8	1.00	14.46	S, MX
5/1.2	1800/900	184T	131475.00	√	1,720	C184T48FB68	107	460	6.5-2.5	1.00	15.96	S, MX
7.5/1.9	1800/900	215T	140447.00	√	2,424	C215T48FB46	155	460	9.7-3.3	1.00	17.71	S, MX
10/2.5	1800/900	215T	140448.00	√	2,856	C215T48FB48	168	460	12.7-4.2	1.00	18.71	S, MX

C/A - Check Availability

♥ Note listing on inside back flap
Specifications are subject to change without notice

Variable Torque - 208-230 Volt - One Winding - TEFC - Rigid Base - 1800/900 RPM

HP	RPM 60 Hz	NEMA Frame	Catalog Number	Stock	List Price	Model Number	App. Wgt. (lbs)	Voltage	F. L. Amps @ 230 V	Service Factor	"C" Dim. (Inches)	Notes
1/2.5	1800/900	143T	120944.00	C/A	1,037	C143T48FB6	36	208-230	3.2-1.4	1.00	12.75	S, US
1.5/3.7	1800/900	145T	120947.00	C/A	1,083	C145T48FB61	36	208-230	4.8-2.0	1.00	12.75	S, US
2/5	1800/900	145T	120946.00	√	1,258	C145T48FB59	35	208-230	6.3-2.6	1.00	12.75	S, US
3/7.5	1800/900	184T	131468.00	√	1,348	C184T48FB61	78	208-230	8.0-3.6	1.00	14.46	S, MX
5/1.2	1800/900	184T	131469.00	√	1,720	C184T48FB62	94	208-230	13.0-5.0	1.00	15.96	S, MX
7.5/1.9	1800/900	215T	140443.00	C/A	2,448	C215T48FB45	154	208-230	19.4-6.6	1.00	17.71	S, MX
10/2.5	1800/900	215T	140444.00	C/A	2,856	C215T48FB47	166	208-230	25.4-8.4	1.00	18.71	S, MX

C/A - Check Availability

♥ Note listing on inside back flap
Specifications are subject to change without notice

Constant Torque - 460 Volt - One Winding - TEFC - Rigid Base - 1800/900 RPM

HP	RPM 60 Hz	NEMA Frame	Catalog Number	Stock	List Price	Model Number	App. Wgt. (lbs)	Voltage	F. L. Amps @ 460 V	Service Factor	"C" Dim. (Inches)	Notes
1/5	1800/900	143T	120943.00	C/A	1,479	C143T48FB9	36	460	1.4-1.6	1.00	13.25	S, US
2/1	1800/900	184T	131471.00	√	1,891	C184T48FB64	68	460	2.9-2.9	1.00	13.96	S, MX
3/1.5	1800/900	184T	131470.00	√	2,146	C184T48FB63	80	460	3.8-3.5	1.00	14.96	S, MX
5/2.5	1800/900	215T	140445.00	C/A	2,804	C215T48FB43	145	460	6.7-7.0	1.00	17.71	S, MX

C/A - Check Availability

♥ Note listing on inside back flap
Specifications are subject to change without notice

Constant Torque - 208-230 Volt - One Winding - TEFC - Rigid Base - 1800/900 RPM

HP	RPM 60 Hz	NEMA Frame	Catalog Number	Stock	List Price	Model Number	App. Wgt. (lbs)	Voltage	F. L. Amps @ 230 V	Service Factor	"C" Dim. (Inches)	Notes
1/5	1800/900	143T	120942.00	C/A	1,479	C143T48FB8	37	208-230	3.2-4.2	1.00	12.75	S, US
2/1	1800/900	184T	131473.00	C/A	1,891	C184T48FB66	69	208-230	5.8-5.7	1.00	13.96	S, MX
3/1.5	1800/900	184T	131472.00	√	2,146	C184T48FB65	80	208-230	7.6-6.9	1.00	14.96	S, MX
5/2.5	1800/900	215T	140446.00	C/A	2,804	C215T48FB44	137	208-230	13.4-14.0	1.00	17.71	S, MX

C/A - Check Availability

♥ Note listing on inside back flap
Specifications are subject to change without notice



Pump Motors
Washguard Motors
Agricultural Duty Motors
HVAC / Fan Motors
Special Voltage Motors
Definite Purpose Motors
Brake Motors
IEC Motors
DC Motors

Definite Purpose Motors

Aggregate / Crusher Duty / Quarry Duty

Pump Motors

Washguard Motors

Agricultural Duty Motors

HVAC / Fan Motors

Special Voltage Motors

Definite Purpose Motors

Brake Motors

IEC Motors

DC Motors

Design Features:

- NEMA® Design C
- NEMA Premium efficient
- Inverter-rated
- Roller bearing - drive end only for belted load applications only
- Shaft seals - both ends
- 4140 grade high strength shaft material
- Full cast iron construction
- Inverter rated insulation system
- Epoxy painted
- N/C thermostats



Three Phase - TEFC - Rigid Base

HP	RPM 60 Hz	NEMA Frame	Catalog Number	Stock	List Price	Model Number	App. Wgt. (lbs)	Voltage	F. L. Amps @ 230 V	Service Factor	"C" Dim. (Inches)	♥Notes
50	1800	326T	194181.00	√	7,758	C326T17WB1	686	230/460	118	1.15	33.86	C, CN
50	1200	365T	194182.00	√	12,736	C365T11WB1	970	230/460	120	1.15	38.39	C, CN
60	1800	364T	194183.00	√	10,996	C364T17WB1	937	230/460	138	1.15	36.61	C, CN
60	1200	404T	194184.00	√	15,090	C404T11WB1	1250	230/460	144	1.15	42.72	C, CN
75	1800	365T	194185.00	√	13,752	C365T17WB1	1075	230/460	171	1.15	38.39	C, CN
75	1200	405T	194186.00	√	15,862	C405T11WB1	1344	230/460	178	1.15	42.72	C, CN
100	1800	405T	194187.00	√	17,094	C405T17WB1	1345	230/460	114	1.15	42.72	C, CN
100	1200	444T	194188.00	√	22,560	C444T11WB1	1462	460	114*	1.15	50.79	C, CN
125	1800	444T	194189.00	√	22,625	C444T17WB1	1874	460	140*	1.15	50.79	C, CN
125	1200	445T	194190.00	√	25,471	C445T11WB1	2061	460	142*	1.15	50.79	C, CN
150	1800	445T	194191.00	√	25,872	C445T17WB1	2061	460	165*	1.15	50.79	C, CN
150	1200	447T	194192.00	√	28,720	C447T11WB1	2464	460	170*	1.15	55.91	C, CN
200	1800	447T	194193.00	√	29,631	C447T17WB1	2315	460	225*	1.15	55.91	C, CN
200	1200	449T	194194.00	√	37,604	C449T11WB1	2513	460	228*	1.15	55.91	C, CN
250	1800	449T	194195.00	√	30,651	C449T17WB1	2535	460	280*	1.15	55.91	C, CN

Shaded model numbers are cast iron frame

Green items are Premium Efficient

*FL. Amps and 460 V

♥ Note listing on inside back flap
Specifications are subject to change without notice



Definite Purpose Motors

Lincoln Hydraulic Elevator Duty Motors

Pump Motors

Washguard Motors

Agricultural Duty Motors

HVAC / Fan Motors

Special Voltage Motors

Definite Purpose Motors

Brake Motors

IEC Motors

DC Motors

Applications:

Hydraulic pump passenger, service, freight, and dumbwaiter low rise elevators. Typically hydraulic elevators travel up to 6 floors at speeds up to 200 fpm.

Features:

- Dual rated nameplates for 80 & 120 starts/hour
- Designed for belt driven pumps
- Wye Start/Delta Run
- Class F Insulated
- 40° C ambient
- F-1 mounting
- Ball bearings with grease fittings and automatic relief
- NEMA® dimensions
- UL recognized component listing and CSA approved
- Constructed for low noise and low vibration



Three Phase - Drip-Proof - Rigid Base - 80 Starts Per Hour

HP	RPM 60 Hz	NEMA Frame	▼ Catalog Number	Stock	List Price	Model Number	App. Wgt. (lbs)	Voltage	% F.L. Nom. EFF.	80 Starts F.L. Amps	Locked Rotor Amps	♥Notes
15	3600	213T	LM30092	C/A	1,395	SSD2P10/15T61YEH2	149	230/460	88.5	36	162/81	S, US
15	1800	215T	LM28867	√	1,281	SSD4G10/15T6006YEH2	128	200	89.5	45	170	S, US
15	1800	215T	LM28868	√	1,281	SSD4S10/15T61YEH2	124	230/460	89.5	39.2/19.6	148/74	S, US
20	3600	215T	LM30093	√	1,821	SSD2P15/20T6006YEH2	135	200	90.2	53	267	S, US
20	3600	215T	LM30094	√	1,821	SSD2P15/20T61YEH2	138	230/460	90.2	46/23	232/116	S, US
20	1800	254T	LM28873	√	1,746	SSD4G15/20T6006YEH2	203	200	91.0	59	267	S, US
20	1800	254T	LM28874	√	1,746	SSD4G15/20T61YEH2	205	230/460	91.0	51.4/25.7	232/116	S, US
25	3600	254T	LM30095	√	2,310	SSD2P20/25T6006YEH2	128	200	91.0	67	334	S, US
25	3600	254T	LM30096	√	2,310	SSD2P20/25T61YEH2	134	230/460	91.0	58/29	290/145	S, US
25	1800	256T	LM28879	√	2,207	SSD4G20/25T6006YEH2	233	200	91.0	74	368	S, US
25	1800	256T	LM28880	√	2,207	SSD4G20/25T61YEH2	233	230/460	91.0	64/32	320/160	S, US
30	3600	256T	LM30097	√	2,778	SSD2P25/30T6006YEH2	235	200	91.0	80	419	S, US
30	3600	256T	LM30098	√	2,778	SSD2P25/30T61YEH2	235	230/460	91.0	69/34.5	364/182	S, US
30	1800	284T	LM29850	√	2,916	CCD4G25/30T6006YEH2	300	200	91.7	84	391	C, US
30	1800	284T	LM29851	√	2,916	CCD4G25/30T61YEH2	318	230/460	90.2	73/36.5	340/170	C, US
30	1800	284T	LM33046	√	3,339	CCD4B25/30T61YEH2	320	230/460	94.1	73/36.5	360/180	C, US

Shaded model numbers are cast iron frame

Continued On Next Page

▼ LM Numbers are Lincoln Models
C/A - Check Availability

♥ Note listing on inside back flap
Specifications are subject to change without notice

Definite Purpose Motors

Lincoln Hydraulic Elevator Duty Motors

Three Phase - Drip-Proof - Rigid Base - 80 Starts Per Hour

HP	RPM 60 Hz	NEMA Frame	▼ Catalog Number	Stock	List Price	Model Number	App. Wgt. (lbs)	Voltage	% FL. Nom. EFF.	80 Starts FL. Amps	Locked Rotor Amps	♥Notes
40	3600	284T	LM30099	√	3,578	CCD2P30/40T6006YEH2	320	200	91.7	112	460	S, US
40	3600	284T	LM30100	√	3,578	CCD2P30/40T61YEH2	322	230/460	91.7	97/48.5	400/200	S, US
40	1800	286T	LM29852	√	3,382	CCD4G30/40T6006YEH2	450	200	92.4	112	495	S, US
40	1800	286T	LM29853	√	3,382	CCD4G30/40T61YEH2	600	230/460	92.4	97/48.5	430/215	S, US
40	1800	286T	LM33048	C/A	3,872	CCD4B30/40T61YEH2	610	230/460	94.1	96/48	416/208	S, US
50	3600	286T	LM30102	C/A	4,570	CCD2P40/50T61YEH2	462	230/460	92.4	117/58.5	580/290	S, US
50	1800	324T	LM28897	√	4,526	SD4G40/50T6006YEH2	550	200	92.4	145	630	S, US
50	1800	324T	LM28898	√	4,526	SD4G40/50T61YEH2	552	230/460	92.4	126/63	548/274	S, US
50	1800	324T	LM32651	√	5,183	SD4B40/50T61YEH2	554	230/460	94.5	125/62.5	530/265	S, US
60	1800	326T	LM28903	√	5,027	SD4G50/60T6006YEH2	519	200	92.4	176	794	S, US
60	1800	326T	LM28904	C/A	5,027	SD4G50/60T61YEH2	530	230/460	92.4	153/76.5	690/345	S, US
60	1800	326T	LM32663	√	7,664	SF4B50/60T61YEH2	535	230/460	93.6	151/75.5	650/325	S, US, 13
75	1800	364T	LM28909	C/A	7,515	SD4G60/75T6006YEH2	693	200	93.6	206	1000	S, US
75	1800	364T	LM28910	√	7,515	SD4S60/75T61YEH2	709	230/460	93.6	179/89.5	870/435	S, US
100	1800	365T	LM28914	C/A	7,935	SD4G75/100T61YEH2	754	230/460	94.1	250/125	1084/542	S, US

Green items are Premium Efficient

▼ LM Numbers are Lincoln Models
Model LM32663 is a TEFC design
C/A - Check Availability

♥ Note listing on inside back flap
Specifications are subject to change without notice

Pump
Motors

Washguard
Motors

Agricultural
Duty Motors

HVAC / Fan
Motors

Special Voltage
Motors

Definite
Purpose Motors

Brake Motors

IEC Motors

DC Motors



Definite Purpose Motors

Lincoln Hydraulic Elevator Duty Motors

Three Phase - Drip-Proof - Rigid Base - 120 Starts Per Hour

HP	RPM 60 Hz	NEMA Frame	▼ Catalog Number	Stock	List Price	Model Number	App. Wgt. (lbs)	Voltage	% FL. Nom. EFF.	120 Starts FL. Amps	Locked Rotor Amps	♥Notes
10	3600	213T	LM30092	C/A	1,395	SSD2P10/15T61YEH2	149	230/460	88.5	36	162/81	S, US
10	1800	215T	LM28867	√	1,281	SSD4G10/15T6006YEH2	128	200	89.5	45	170	S, US
10	1800	215T	LM28868	√	1,281	SSD4S10/15T61YEH2	124	230/460	89.5	39.2/19.6	148/74	S, US
15	3600	215T	LM30093	√	1,821	SSD2P15/20T6006YEH2	135	200	90.2	53	267	S, US
15	3600	215T	LM30094	√	1,821	SSD2P15/20T61YEH2	138	230/460	90.2	46/23	232/116	S, US
15	1800	254T	LM28873	√	1,746	SSD4G15/20T6006YEH2	203	200	91.0	59	267	S, US
15	1800	254T	LM28874	√	1,746	SSD4G15/20T61YEH2	205	230/460	91.0	51.4/25.7	232/116	S, US
20	3600	254T	LM30095	√	2,310	SSD2P20/25T6006YEH2	128	200	91.0	67	334	S, US
20	3600	254T	LM30096	√	2,310	SSD2P20/25T61YEH2	134	230/460	91.0	58/29	290/145	S, US
20	1800	256T	LM28879	√	2,207	SSD4G20/25T6006YEH2	233	200	91.0	74	368	S, US
20	1800	256T	LM28880	√	2,207	SSD4G20/25T61YEH2	233	230/460	91.0	64/32	320/160	S, US
25	3600	256T	LM30097	√	2,778	SSD2P25/30T6006YEH2	235	200	91.0	80	419	S, US
25	3600	256T	LM30098	√	2,778	SSD2P25/30T61YEH2	235	230/460	91.0	69/34.5	364/182	S, US
25	1800	284T	LM29850	√	2,916	CCD4G25/30T6006YEH2	300	200	91.7	84	391	C, US
25	1800	284T	LM29851	√	2,916	CCD4G25/30T61YEH2	318	230/460	90.2	73/36.5	340/170	C, US
25	1800	284T	LM33046	√	3,339	CCD4B25/30T61YEH2	320	230/460	94.1	73/36.5	360/180	C, US
30	3600	284T	LM30099	√	3,578	CCD2P30/40T6006YEH2	320	200	91.7	112	460	C, US
30	3600	284T	LM30100	√	3,578	CCD2P30/40T61YEH2	322	230/460	91.7	97/48.5	400/200	C, US
30	1800	286T	LM29852	√	3,382	CCD4G30/40T6006YEH2	450	200	92.4	112	495	C, US
30	1800	286T	LM29853	√	3,382	CCD4G30/40T61YEH2	600	230/460	92.4	97/48.5	430/215	C, US
30	1800	286T	LM33048	C/A	3,872	CCD4B30/40T61YEH2	610	230/460	94.1	96/48	416/208	C, US
40	3600	286T	LM30102	C/A	4,570	CCD2P40/50T61YEH2	462	230/460	92.4	117/58.5	580/290	C, US
40	1800	324T	LM28897	√	4,526	SD4G40/50T6006YEH2	550	200	92.4	145	630	S, US
40	1800	324T	LM28898	√	4,526	SD4G40/50T61YEH2	552	230/460	92.4	126/63	548/274	S, US
40	1800	324T	LM32651	√	5,183	SD4B40/50T61YEH2	554	230/460	94.5	125/62.5	530/265	S, US
50	1800	326T	LM28903	√	5,027	SD4G50/60T6006YEH2	519	200	92.4	176	794	S, US
50	1800	326T	LM28904	√	5,027	SD4G50/60T61YEH2	530	230/460	92.4	153/76.5	690/345	S, US
50	1800	326T	LM32663	√	7,664	SF4B50/60T61YEH2	535	230/460	93.6	151/75.5	650/325	S, US
60	1800	364T	LM28909	C/A	7,515	SD4G60/75T6006YEH2	693	200	93.6	206	1000	S, US
60	1800	364T	LM28910	√	7,515	SD4S60/75T61YEH2	709	230/460	93.6	179/89.5	870/435	S, US
75	1800	365T	LM28914	C/A	7,935	SD4G75/100T61YEH2	754	230/460	94.1	250/125	1084/542	S, US

Shaded model numbers are cast iron frame

♥ Note listing on inside back flap
Specifications are subject to change without notice

Green items are Premium Efficient

▼ LM Numbers are Lincoln Models
C/A - Check Availability



Pump Motors
Washguard Motors
Agricultural Duty Motors
HVAC / Fan Motors
Special Voltage Motors
Definite Purpose Motors
Brake Motors
IEC Motors
DC Motors

Definite Purpose Motors

Lincoln VVVF (Variable Voltage-Variable Frequency) Traction Elevator Hoist Motors

Applications:

Designed for geared and gearless traction elevators, 100 fpm to 500 fpm operation and up to 12 or 15 floors.

Features:

- Dynamic balanced for low vibration operation
- Normally closed thermostats, one per phase
- Low noise design
- Steel frame construction with cast iron endbells
- Class F Insulated, 40° C ambient
- EPA efficiency or better
- 1.0 service factor
- 1024 PPR encoder, with 1-inch shaft bore standard
- F1 mounting
- 1000:1 inverter duty capability



Three Phase - Drip-Proof - Rigid Base with Encoder - 80 Starts Per Hour

HP	SYN RPM	No. of Poles	Frame	▼ Catalog Number	Stock	List Price	Model Number	App. Wgt. (lbs)	HZ	Voltage	F.L. Amps	Rated Accel. Torque	♥Notes
7.5	1200	6	254T	LM28114	√	4,014	SD6P7.5T61ET1	221	60	230/460	24/12	225%	S, US
7.5	1200	6	254T	LM28115	√	4,014	SD6P7.5T6006ET1	221	60	200	28	225%	S, US
7.5	1200	4	254T	LM28116	C/A	3,937	SD4P7.5T41ET1	200	40	230/460	19/9.5	275%	S, US
7.5	1200	4	254T	LM28117	C/A	3,937	SD4P7.5T4006ET1	200	40	200	22	275%	S, US
7.5	900	4	256T	LM28118	C/A	4,372	SD4P7.5T31ET1	278	30	230/460	19.6/9.8	275%	S, US
7.5	900	4	256T	LM28119	C/A	4,372	SD4P7.5T3006ET1	278	30	200	23	275%	S, US
10	1200	6	256T	LM28120	√	4,461	SSD6P10T61ET1	214	60	230/460	24/12	250%	S, US
10	1200	6	256T	LM28121	√	4,461	SD6P10T6006ET1	214	60	200	28	250%	S, US
10	1200	4	256T	LM28122	C/A	4,372	SD4P10T41ET1	232	40	230/460	19/9.5	275%	S, US
10	1200	4	256T	LM28123	C/A	4,372	SSD4P10T4006ET1	232	40	200	22	275%	S, US
10	900	4	284T	LM28124	C/A	5,177	SD4P10T31ET1	280	30	230/460	19.6/9.8	330%	S, US
10	900	4	284T	LM28125	C/A	5,177	SD4P10T3006ET1	280	30	200	23	330%	S, US
12 1/2	1200	6	284T	LM31393	C/A	5,329	SD6P12.5T61ET1	338	60	230/460	42/21	300%	S, US
12 1/2	1200	6	284T	LM30676	√	5,329	SD6P12.5T6006YET1	338	60	200	48.5	300%	S, US
12 1/2	900	4	284T	LM30677	C/A	5,619	SD4P12.5T31ET1	365	30	230/460	34/17	300%	S, US
12 1/2	900	4	284T	LM30678	C/A	5,619	SD4P12.5T3006ET1	365	30	200	38.5	300%	S, US
15	1800	4	256T	LM30679	C/A	4,461	SD4P15T61ET1	233	60	230/460	—	—	S, US
15	1800	4	256T	LM30680	C/A	4,461	SD4P15T6006ET1	233	60	200	—	—	S, US
15	1200	6	284T	LM28126	√	5,361	SD6S15T61YET1	341	60	230/460	49/24.5	300%	S, US
15	1200	6	284T	LM28127	C/A	5,361	SD6G15T6006YET1	338	60	200	56.5	300%	S, US
15	1200	4	284T	LM28128	C/A	5,177	SD4P15T41ET1	344	40	230/460	40/20	330%	S, US
15	1200	4	284T	LM28129	C/A	5,177	SD4P15T4006ET1	344	40	200	46	330%	S, US
15	900	4	286T	LM30535	C/A	6,062	SD4S15T31YET1	392	30	230/460	40/20	300%	S, US
15	900	4	286T	LM28131	C/A	6,062	SD4P15T3006ET1	392	30	200	46	300%	S, US
20	1800	4	256T	LM30681	C/A	4,913	SD4P20T61ET1	240	60	230/460	—	—	S, US
20	1800	4	256T	LM30682	C/A	4,913	SD4P20T6006ET1	240	60	200	—	—	S, US

▼ LM Numbers are Lincoln Models
C/A - Check Availability

Continued On Next Page

♥ Note listing on inside back flap
Specifications are subject to change without notice



Definite Purpose Motors

Lincoln VVVF (Variable Voltage-Variable Frequency) Traction Elevator Hoist Motors

Three Phase - Drip-Proof - Rigid Base with Encoder - 80 Starts Per Hour

HP	SYN RPM	No. of Poles	Frame	▼ Catalog Number	Stock	List Price	Model Number	App. Wgt. (lbs)	HZ	Voltage	F.L. Amps	Rated Accel. Torque	♥Notes
20	1200	6	286T	LM28132	C/A	6,231	SD6S20T61YET1	390	60	230/460	61/30.5	275%	S, US
20	1200	6	286T	LM28133	C/A	6,231	SD6S20T6006YET1	400	60	200	68.0	275%	S, US
20	1200	4	286T	LM28134	C/A	6,062	SD4P20T41ET1	385	40	230/460	52/26	330%	S, US
20	1200	4	286T	LM28135	C/A	6,062	SD4P20T4006ET1	385	40	200	60.0	330%	S, US
20	900	4	324T	LM28136	C/A	6,907	SD4P20T31ET1	480	30	230/460	54/27	275%	S, US
20	900	4	324T	LM28137	C/A	6,907	SD4P20T3006ET1	471	30	200	62.1	275%	S, US
25	1800	4	284T	LM30720	C/A	5,361	SD4P25T61ET1	350	60	230/460	64/32	250%	S, US
25	1800	4	284T	LM30721	C/A	5,361	SD4P25T62ET1	350	60	200	73.5	250%	S, US
25	1200	6	324T	LM28138	C/A	7,539	SD6S25T61YET1	505	60	230/460	64/32	250%	S, US
25	1200	6	324T	LM28139	C/A	7,539	SD6P25T6006ET1	505	60	200	73.6	250%	S, US
25	1200	4	324T	LM28140	C/A	6,907	SD4P25T41ET1	472	40	230/460	65/32.5	275%	S, US
25	1200	4	324T	LM28141	C/A	6,907	SD4P25T4006ET1	472	40	200	74.8	275%	S, US
25	900	4	326T	LM28142	C/A	7,844	SD4P25T31ET1	538	30	230/460	64/32	275%	S, US
25	900	4	326T	LM28143	C/A	7,844	SD4P25T3006YET1	525	30	200	73.6	275%	S, US
30	1800	4	286T	LM30722	C/A	6,231	SD4P30T61ET1	400	60	230/460	72/36	250%	S, US
30	1800	4	286T	LM30723	C/A	6,231	SD4P30T62ET1	400	60	200	83.0	250%	S, US
30	1200	6	326T	LM27976	C/A	8,412	SD6S30T61YET1	535	60	230/460	76/38	225%	S, US
30	1200	6	326T	LM28144	C/A	8,412	SD6S30T6006YET1	552	60	200	87.4	225%	S, US
30	1200	4	326T	LM28145	C/A	7,700	SD4P30T41ET1	516	40	230/460	74/37	275%	S, US
30	1200	4	326T	LM28146	C/A	7,700	SD4P30T4006ET1	516	40	200	85.0	275%	S, US
30	900	4	364T	LM28147	C/A	9,423	SD4P30T31ET1	575	30	230/460	74/37	275%	S, US
30	900	4	364T	LM28148	C/A	9,423	SD4P30T3006ET1	575	30	200	85.0	275%	S, US
40	1800	4	324T	LM30724	C/A	7,136	SD4P40T61ET1	470	60	230/460	98/49	250%	S, US
40	1800	4	324T	LM30725	C/A	7,136	SD4P40T62ET1	470	60	200	113.0	250%	S, US
40	1200	6	364T	LM28149	✓	10,633	SD6S40T61YET1	755	60	230/460	98/49	250%	S, US
40	1200	6	364T	LM28150	C/A	10,633	SD6S40T6006YET1	755	60	200	113.0	250%	S, US
40	1200	4	364T	LM28151	C/A	9,423	SD4P40T41ET1	715	40	230/460	96/48	275%	S, US
40	1200	4	364T	LM28152	C/A	9,423	SD4P40T4006ET1	715	40	200	111.0	275%	S, US
40	900	4	365T	LM28153	C/A	10,499	SD4P40T31ET1	783	30	230/460	97/48.5	275%	S, US
40	900	4	365T	LM28154	C/A	10,499	SD4P40T3006ET1	783	30	200	112.0	275%	S, US
50	1800	4	326T	LM30647	C/A	7,961	SD4P50T61ET1	522	60	230/460	121/60.5	250%	S, US
50	1800	4	326T	LM30648	C/A	7,961	SD4P50T6006ET1	522	60	200	139.0	250%	S, US
50	1200	6	365T	LM28155	C/A	10,923	SD6S50T61YET1	800	60	230/460	129/64.5	275%	S, US
50	1200	6	365T	LM28156	C/A	10,923	SD6S50T6006YET1	800	60	200	148.0	275%	S, US
50	1200	4	365T	LM28157	C/A	10,499	SD4P50T41ET1	765	40	230/460	120/60	275%	S, US
50	1200	4	365T	LM28158	C/A	10,499	SD4P50T4006ET1	765	40	200	138.0	275%	S, US
50	900	4	405T	LM28159	C/A	13,954	SD4P50T31ET1	964	30	230/460	118/59	275%	S, US
50	900	4	405T	LM28160	C/A	13,954	SD4S50T3006YET1	964	30	200	136.0	275%	S, US
60	1800	4	364T	LM30649	C/A	9,802	SD4P60T61ET1	715	60	230/460	140/70	—	S, US
60	1800	4	364T	LM30650	C/A	9,802	SD4P60T6006ET1	715	60	200	161.0	—	S, US
60	1200	6	404T	LM28161	C/A	12,353	SD6P60T61YET1	888	60	230/460	167/83.5	250%	S, US
60	1200	6	404T	LM28162	C/A	12,353	SD6P60T6006YET1	888	60	200	192.0	250%	S, US

▼ LM Numbers are Lincoln Models
C/A - Check Availability

♥ Note listing on inside back flap
Specifications are subject to change without notice



Pump Motors
Washguard Motors
Agricultural Duty Motors
HVAC / Fan Motors
Special Voltage Motors
Definite Purpose Motors
Brake Motors
IEC Motors
DC Motors

Definite Purpose Motors

Lincoln VVVF (Variable Voltage-Variable Frequency) Traction Elevator Hoist Motors

Three Phase - Drip-Proof - C Face Less Base - with Encoder - F1 Conduit Box 80 Starts Per Hour

HP	SYN RPM	No. of Poles	Frame	▼ Catalog Number	Stock	List Price	Model Number	App. Wgt. (lbs)	HZ	Voltage	FL. Amps	Rated Accel. Torque	♥Notes
7.5	1200	6	254TC	LM28200	√	4,133	SD6P7.5TCN61ET1	150	60	230/460	24/12	225%	S, US
7.5	1200	6	254TC	LM28201	√	4,133	SD6P7.5TCN6006ET1	150	60	200	28.0	225%	S, US
7.5	1200	4	254TC	LM30655	C/A	4,055	SD4P7.5TCN41ET1	145	40	230/460	19/9.5	275%	S, US
7.5	1200	4	254TC	LM30663	C/A	4,055	SD4P7.5TCN4006ET1	145	40	200	22.0	275%	S, US
7.5	900	4	256TC	LM28202	C/A	4,490	SD4P7.5TCN31ET1	225	30	230/460	19.6/9.8	275%	S, US
7.5	900	4	256TC	LM28203	C/A	4,490	SD4P7.5TCN3006ET1	225	30	200	23.0	275%	S, US
10	1200	6	256TC	LM28204	√	4,580	SSD6P10TCN61ET1	202	60	230/460	24/12	250%	S, US
10	1200	6	256TC	LM28205	√	4,580	SD6P10TCN6006ET1	202	60	200	28.0	250%	S, US
10	1200	4	256TC	LM30732	C/A	4,490	SD4P10TCN41ET1	230	40	230/460	19/9.5	275%	S, US
10	1200	4	256TC	LM30733	C/A	4,490	SD4P10TCN4006ET1	230	40	200	22.0	275%	S, US
10	900	4	284TC	LM28206	C/A	5,382	SD4P10TCN31ET1	355	30	230/460	19.6/9.8	330%	S, US
10	900	4	284TC	LM28207	C/A	5,382	SD4P10TCN3006ET1	355	30	200	23.0	330%	S, US
12 1/2	1200	6	284TC	LM30734	C/A	5,119	SD4P12.5TCN61ET1	305	60	230/460	42/21	300%	S, US
12 1/2	1200	6	284TC	LM30735	√	5,119	SD4P12.5TCN6006ET1	305	60	200	48.5	300%	S, US
12 1/2	900	4	284TC	LM30736	C/A	5,824	SD4P12.5TCN3006ET1	355	30	230/460	34/17	300%	S, US
12 1/2	900	4	284TC	LM30737	C/A	5,824	SD4P12.5TCN3006ET1	355	30	200	38.5	300%	S, US
15	1800	4	256TC	LM30748	C/A	4,580	SD4P15TCN61ET1	220	60	230/460	—	—	S, US
15	1800	4	256TC	LM30749	C/A	4,580	SD4P15TCN6006ET1	220	60	200	—	—	S, US
15	1200	6	284TC	LM28208	C/A	5,567	SD6P15TCN61ET1	330	60	230/460	49/24.5	300%	S, US
15	1200	6	284TC	LM28209	C/A	5,567	SD6S15TCN6006YET1	330	60	200	56.5	300%	S, US
15	1200	4	284TC	LM30750	C/A	5,382	SD4P15TCN41ET1	355	40	230/460	40/20	330%	S, US
15	1200	4	284TC	LM30751	C/A	5,382	SD4P15TCN4006ET1	355	40	200	46.0	330%	S, US
15	900	4	286TC	LM28210	C/A	6,266	SD4P15TCN31ET1	388	30	230/460	40/20	300%	S, US
15	900	4	286TC	LM28211	C/A	6,266	SD4S15TCN3006ET1	388	30	200	46.0	300%	S, US
20	1800	4	256TC	LM30752	C/A	5,031	SD4P20TCN61ET1	249	60	230/460	—	—	S, US
20	1800	4	256TC	LM30753	C/A	5,031	SD4P20TCN6006ET1	249	60	200	—	—	S, US
20	1200	6	286TC	LM28212	C/A	6,680	SD6S20TCN61YET1	379	60	230/460	61/30.5	275%	S, US
20	1200	6	286TC	LM28213	C/A	6,680	SD6S20TCN6006YET1	379	60	200	68.0	275%	S, US
20	1200	4	286TC	LM30739	C/A	6,266	SD4P20TCN41ET1	396	40	230/460	52/26	330%	S, US
20	1200	4	286TC	LM30740	C/A	6,266	SD4P20TCN6006ET1	396	40	200	60.0	330%	S, US
20	900	4	324TC	LM28214	C/A	7,247	SD4P20TCN31ET1	480	30	230/460	54/27	275%	S, US
20	900	4	324TC	LM28215	C/A	7,247	SD4S20TCN3006YET1	480	30	200	62.1	275%	S, US
25	1800	4	284TC	LM31607	C/A	5,646	SD4P25TCN61ET1	355	60	230/460	64/32	250%	S, US
25	1800	4	284TC	LM30760	C/A	5,646	SD4P25TCN6006ET1	355	60	200	73.5	250%	S, US
25	1200	6	324TC	LM28216	C/A	8,114	SD6S25TC61YET1	499	60	230/460	64/32	250%	S, US
25	1200	6	324TC	LM28217	C/A	8,114	SD6P25TCN6006ET1	499	60	200	73.6	250%	S, US
25	1200	4	324TC	LM30754	C/A	7,247	SD4P25TCN41ET1	480	40	230/460	65/32.5	275%	S, US
25	1200	4	324TC	LM30755	C/A	7,247	SD4P25TCN4006ET1	480	40	200	74.8	275%	S, US
25	900	4	326TC	LM28218	C/A	8,722	SD4P25TCN31ET1	533	30	230/460	64/32	275%	S, US
25	900	4	326TC	LM28219	C/A	8,722	SD4P25TCN3006ET1	533	30	200	73.6	275%	S, US

▼ LM Numbers are Lincoln Models
C/A - Check Availability

♥ Note listing on inside back flap
Specifications are subject to change without notice



Three Phase - Drip-Proof - C Face Less Base - with Encoder - F1 Conduit Box 80 Starts Per Hour

HP	SYN RPM	No. of Poles	Frame	▼ Catalog Number	Stock	List Price	Model Number	App. Wgt. (lbs)	HZ	Voltage	FL. Amps	Rated Accel. Torque	♥Notes
30	1800	4	286TC	LM30702	C/A	6,657	SD4S30TCN61YET1	397	60	230/460	72/36	250%	S, US
30	1800	4	286TC	LM30762	C/A	6,657	SD4P30TCN6006ET1	397	60	200	83.0	250%	S, US
30	1200	6	326TC	LM27971	C/A	9,315	SD6S30TCN61YET1	537	60	230/460	76/38	225%	S, US
30	1200	6	326TC	LM28220	C/A	9,315	SD6S30TCN6006YET1	557	60	200	87.4	225%	S, US
30	1200	4	326TC	LM30756	C/A	8,314	SD4P30TCN41ET1	532	40	230/460	74/37	275%	S, US
30	1200	4	326TC	LM30757	C/A	8,314	SD4P30TCN4006ET1	532	40	200	85.0	275%	S, US
30	900	4	364TC	LM28221	C/A	10,313	SD4P30TCN31ET1	720	30	230/460	74/37	275%	S, US
30	900	4	364TC	LM28222	C/A	10,313	SD4P30TCN3006ET1	720	30	200	85.0	275%	S, US
40	1800	4	324TC	LM30763	C/A	7,733	SD4P40TCN61ET1	480	60	230/460	98/49	250%	S, US
40	1800	4	324TC	LM30764	C/A	7,733	SD4P40TCN6006ET1	480	60	200	113.0	250%	S, US
40	1200	6	364TC	LM28223	√	11,309	SD6P40TCN61ET1	724	60	230/460	98/49	250%	S, US
40	1200	6	364TC	LM28224	C/A	11,309	SD6P40TCN6006ET1	724	60	200	113.0	250%	S, US

▼ LM Numbers are Lincoln Models
C/A - Check Availability

♥ Note listing on inside back flap
Specifications are subject to change without notice

Encoder Pigtail Kits for VVVF Elevator Duty Motors

Applications:

Encoder pigtail kits are used to extend the length of the existing encoder leads.

▼ Catalog Number	Stock	Description	List Price
LM30561	√	30 ft. encoder cable kit	811
LM31752	√	40 ft. encoder cable kit	811
LM30881	√	50 ft. encoder cable kit	958

▼ LM Numbers are Lincoln Models
Specifications are subject to change without notice



Definite Purpose Motors

Lincoln Submersible Hydraulic Elevator Pump Motors

Pump Motors

Washguard Motors

Agricultural Duty Motors

HVAC / Fan Motors

Special Voltage Motors

Definite Purpose Motors

Brake Motors

IEC Motors

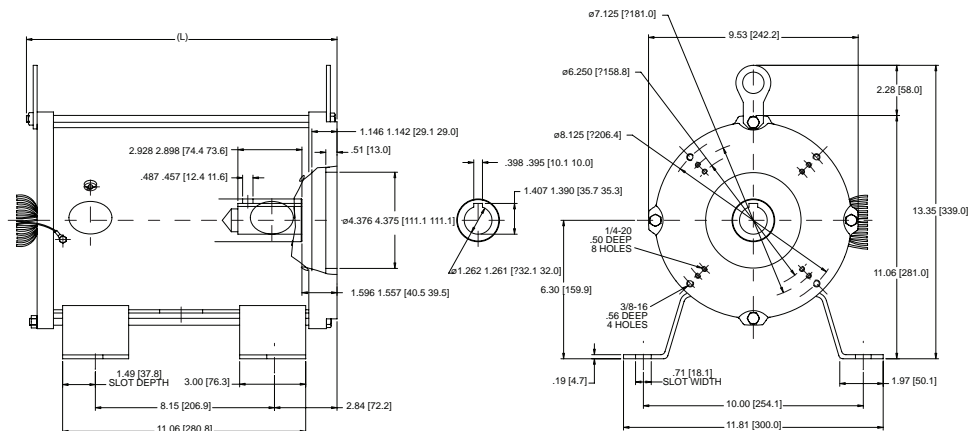
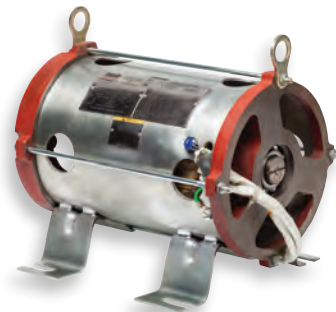
DC Motors

Applications:

These motors are designed to meet the demands in the hydraulic elevator pump industry. Our submersible hydraulic pump elevator motors are ready to be placed in elevator systems for applications in hydraulic pump passenger, service, freight and low-rise elevators. Rated up to 6 floors at speeds up to 200 fpm.

Features:

- Intermittent duty
- Suitable for Wye-Delta starters
- 1.0 service factor and 70°C ambient rated
- Three bolt circles, 12 mounting holes, and face mounting to accept both the IMO and Allweiler pumps
- 10 foot long leads, spliced 40 inches from motor to prevent wicking of hydraulic fluid
- Thermostat leads are marked P1 and P2
- Class F insulation
- Two stainless steel nameplates, one shipped separate for remote mount
- UL recognized component listing and CSA approved



See Next Page



Definite Purpose Motors

Lincoln Submersible Hydraulic Elevator Pump Motors

Pump Motors

Washguard Motors

Agricultural Duty Motors

HVAC / Fan Motors

Special Voltage Motors

Definite Purpose Motors

Brake Motors

IEC Motors

DC Motors

Three Phase - Open Submersible - Rigid Base

HP	RPM 60 HZ	Frame	▼ Catalog Number	Stock	List Price	Model Number	App. Wgt. (lbs)	Voltage	KVA Code	FL Amps	Locked Rotor Amps	F.L. EFF.	♥Notes
15	3600	160Z	LM29656	√	1,194	SD2S15Z6006YEH3	110	200	H	53.0	268	72.2	S, CN
15	3600	160Z	LM29657	√	1,194	SD2S15Z61YEH3	110	208-230/460	H	46/23	250/125	72.2	S, CN
15	3600	160Z	LM29658	√	1,194	SD2S15Z65YEH3	110	575	H	18.4	100	72.2	S, CN
20	3600	160Z	LM29659	√	1,223	SD2S20Z6006YEH3	112	200	G	64.5	363	76.4	S, CN
20	3600	160Z	LM29660	√	1,223	SD2S20Z61YEH3	112	208-230/460	G	56/28	316/158	76.4	S, CN
20	3600	160Z	LM29661	√	1,223	SD2S20Z65YEH3	112	575	G	22.4	126	76.4	S, CN
25	3600	160Z	LM29662	√	1,332	SD2S25Z6006YEH3	135	200	G	77.1	416	79.0	S, CN
25	3600	160Z	LM29663	√	1,332	SD2S25Z61YEH3	115	208-230/460	G	67/33.5	364/182	79.0	S, CN
25	3600	160Z	LM29664	√	1,332	SD2S25Z65YEH3	115	575	G	26.8	146	79.0	S, CN
30	3600	160Z	LM29665	√	1,486	SD2S30Z6006YEH3	119	200	G	92.0	499	79.9	S, CN
30	3600	160Z	LM29666	√	1,486	SD2S30Z61YEH3	129	208-230/460	G	80/40	434/217	79.9	S, CN
30	3600	160Z	LM29667	√	1,486	SD2S30Z65YEH3	119	575	G	32.0	174	79.9	S, CN
40	3600	160Z	LM29668	√	1,904	SD2S40Z6006YEH3	132	200	G	115.0	667	84.0	S, CN
40	3600	160Z	LM29669	√	1,904	SD2S40Z61YEH3	132	208-230/460	G	100/50	580/290	84.0	S, CN
40	3600	160Z	LM29670	√	1,904	SD2S40Z65YEH3	132	575	G	40.0	232	84.0	S, CN
50	3600	160Z	LM29671	√	2,171	SD2S50Z6006YEH3	143	200	H	140.0	550	84.0	S, CN
50	3600	160Z	LM29672	√	2,171	SD2S50Z61YEH3	143	208-230/460	H	122/61	478/239	84.0	S, CN
50	3600	160Z	LM29673	√	2,171	SD2S50Z65YEH3	171	575	H	48.8	191	84.0	S, CN

▼ LM Numbers are Lincoln Models

♥ Note listing on inside back flap
Specifications are subject to change without notice

Conversion Kit

L32 Kit Information:

Used to adapt the Lincoln Submersible Elevator motors to some IMO and Allweiler Pumps. Kit includes needed through-bolts to mount this kit to these motors

L32 Bracket Conversion Kit

▼ Catalog Number	Desc. Sym	App. Wgt. (lbs)	List Price
LM31777	A	12	639

▼ LM Numbers are Lincoln Models
Specifications are subject to change without notice

Allweiler is a registered trademark of Allweiler AG Corp.

IMO is a registered trademark of Imo Industries Inc.
All Rights Reserved.



Definite Purpose Motors

Unit Handling Motors

Applications:

Unit and baggage handling, conveyors, packaging equipment machine tools, elevators and door openers where a conduit box at 12:00 position is needed due to mounting size restrictions.



Features:

- Low profile conduit box at the 12:00 position
- Base includes both 56H and 143-5T mounting holes and slots

Single Phase - TEFC - Rigid C Face

HP	RPM 60 Hz	NEMA Frame	Catalog Number	Stock	List Price	Model Number	App. Wgt. (lbs)	Voltage	F. L. Amps @ 230 V	Service Factor	"C" Dim. (Inches)	♥Notes
1/2	1800	56C	117701.00	√	571	C6C17FK92	22	115/208-230	4.4	1.15	12.48	S, US
3/4	1800	56C	117702.00	√	620	C6C17FK94	26	115/208-230	5.4	1.15	12.98	S, US
1	1800	56C	117703.00	√	673	C6C17FK93	30	115/208-230	6.4	1.15	12.98	S, US

Specifications are subject to change without notice

♥ Note listing on inside back flap

Single Phase - TEFC - C Face Less Base

HP	RPM 60 Hz	NEMA Frame	Catalog Number	Stock	List Price	Model Number	App. Wgt. (lbs)	Voltage	F. L. Amps @ 230 V	Service Factor	"C" Dim. (Inches)	♥Notes
1/2	1800	56C	117704.00	√	548	C6C17FC175	21	115/208-230	4.4	1.15	10.98	S, US
3/4	1800	56C	117705.00	√	599	C6C17FC176	25	115/208-230	5.4	1.15	11.48	S, US
1	1800	56C	117706.00	√	644	C6C17FC177	29	115/208-230	6.4	1.15	11.48	S, US

Specifications are subject to change without notice

♥ Note listing on inside back flap

Three Phase - TEFC - Rigid C Face

HP	RPM 60 Hz	NEMA Frame	Catalog Number	Stock	List Price	Model Number	App. Wgt. (lbs)	Voltage	F. L. Amps @ 230 V	% F.L. Eff.	Service Factor	"C" Dim. (Inches)	♥Notes
1/2	1800	56C	117707.00	√	474	C6T17FK99	21	208-230/460	2.0	74.0	1.15	12.48	S, US
3/4	1800	56C	117708.00	√	501	C6T17FK100	22	208-230/460	2.8	77.0	1.15	12.48	S, US
1	1800	56C	119553.00	√	738	C6T17FK114	34	230/460	3.4	85.5	1.15	12.81	S, US
1	1800	143TC	121982.00	√	781	C143T17FK23	32	230/460	3.4	85.5	1.15	12.92	S, US
1.5	1800	56C	117710.00	D	583	C6T17FK102	30	230/460	5.0	78.5	1.15	12.48	S, US
1.5	1800	56C	119554.00	√	803	C6T17FK115	37	230/460	5.6	86.5	1.15	13.31	S, US
1.5	1800	143TC	121983.00	√	826	C143T17FK24	42	230/460	5.6	86.5	1.15	13.42	S, US
2	1800	145TC	121984.00	√	910	C145T17FK65	45	230/460	5.8	86.5	1.15	13.92	S, US

Green items are Premium Efficient

D - Item to be discontinued once inventory is depleted

♥ Note listing on inside back flap
Specifications are subject to change without notice

Three Phase - TEFC - C Face Less Base

HP	RPM 60 Hz	NEMA Frame	Catalog Number	Stock	List Price	Model Number	App. Wgt. (lbs)	Voltage	F. L. Amps @ 230 V	% F.L. Eff.	Service Factor	"C" Dim. (Inches)	♥Notes
1/2	1800	56C	117711.00	√	462	C6T17FC226	20	208-230/460	2.0	74.0	1.15	10.48	S, US
3/4	1800	56C	117712.00	√	493	C6T17FC227	22	208-230/460	2.8	77.0	1.15	10.48	S, US
1	1800	56C	119555.00	√	720	C6T17FC259	34	230/460	3.4	85.5	1.15	12.81	S, US
1	1800	143TC	121985.00	D	653	C143T17FC36	36	230/460	3.1	82.5	1.15	11.92	S, US
1	1800	143TC	122234.00	√	763	C143T17FC45	36	230/460	3.4	85.5	1.15	13.25	S, US
1.5	3600	56C	117714.00	D	577	C6T34FC107	29	208-230/460	4.2	78.5	1.15	11.48	S, US
1.5	3600	56C	119556.00	√	788	C6T34FC139	29	230/460	4.8	86.5	1.15	13.31	S, US
1.5	1800	143TC	122235.00	√	807	C145T17FC138	41	230/460	4.8	86.5	1.15	13.42	S, US
2	1800	145TC	122258.00	√	894	C145T17FC136	45	208-230/460	6.5	86.5	1.15	13.92	S, US

Green items are Premium Efficient

D - Item to be discontinued once inventory is depleted

♥ Note listing on inside back flap
Specifications are subject to change without notice

Specifications:

These motors comply to the EAct mandates of 1997, but do not comply with EISA mandates of Dec. 2010. They are not intended for use in the USA, and can be used on machinery that is exported out of the USA

Three Phase - TEFC - Rigid Base

HP	RPM 60 Hz	NEMA Frame	Catalog Number	Stock	List Price	App. Wgt. (lbs)	Voltage	% FL. EFF.	♥Notes
1	1725	143T	EXG120014.00	C/A	553	31	230/460	82.5	S, US
1	1725	143T	EXG151696.60	C/A	593	49	230/460	84.0	C, CN
1 1/2	3450	145T	EXG120086.00	C/A	611	45	230/460	82.5	S, US
1 1/2	3450	143T	EXG151698.60	C/A	655	45	230/460	82.5	C, CN
1 1/2	1725	145T	EXG120015.00	C/A	559	36	230/460	84.0	S, US
1 1/2	1725	145T	EXG151702.60	C/A	600	53	230/460	85.5	C, CN
2	3450	145T	EXG120088.00	C/A	702	45	230/460	84.0	S, US
2	3450	145T	EXG151704.60	C/A	753	49	230/460	84.0	C, CN
2	1725	145T	EXG120016.00	C/A	591	46	230/460	84.0	S, US
2	1725	145T	EXG151703.60	C/A	637	56	230/460	85.5	C, CN
3	3450	145T	EXG120185.00	C/A	804	42	230/460	85.5	S, US
3	3450	182T	EXG130099.00	C/A	860	60	230/460	85.5	S, MX
3	3510	182T	EXG151563.60	C/A	924	93	230/460	85.5	C, CN
3	1740	182T	EXG130008.00	C/A	700	68	230/460	87.5	S, MX
3	1750	182T	EXG151320.60	C/A	902	94	230/460	87.5	C, CN
5	3500	184T	EXG150299.60	C/A	933	100	230/460	87.5	C, CN
5	3450	184T	EXG130101.00	C/A	991	73	230/460	87.5	S, MX
5	1740	184T	EXG130027.00	C/A	807	80	230/460	87.5	S, MX
5	1750	184T	EXG151322.60	C/A	957	101	230/460	87.5	C, CN
7 1/2	3450	184T	EXG131082.00	C/A	1,103	91	230/460	88.5	S, MX
7 1/2	3450	213T	EXG130103.00	C/A	1,133	101	230/460	88.5	S, MX
7 1/2	3450	213T	EXG150158.60	C/A	1,233	150	230/460	88.5	C, CN
7 1/2	1740	213T	EXG140578.00	C/A	1,079	144	230/460	89.5	S, MX
7 1/2	1750	213T	EXG150157.60	C/A	1,111	153	230/460	89.5	C, CN
10	3510	215T	EXG140686.00	C/A	1,452	126	230/460	89.5	S, MX
10	3510	215T	EXG150159.60	C/A	1,432	167	230/460	89.5	C, CN
10	1740	215T	EXG140489.00	C/A	1,170	167	230/460	89.5	S, MX
10	1750	215T	EXG150140.60	C/A	1,251	176	230/460	89.5	C, CN
15	3510	215T	EXG140687.00	C/A	1,821	140	230/460	90.2	S, MX
15	3510	215T	EXG151317.60	C/A	1,913	168	230/460	90.2	C, CN
15	3525	254T	EXG150062.60	C/A	1,915	260	230/460	90.2	C, CN
15	1770	254T	EXG150066.60	C/A	1,973	284	230/460	91.0	C, CN
20	3525	256T	EXG150033.60	C/A	2,606	296	230/460	90.2	C, CN
20	1750	256T	EXG150007.60	C/A	2,427	321	230/460	91.0	C, CN
25	3525	256T	EXG151318.60	C/A	3,070	307	230/460	91.0	C, CN
25	3550	284TS	EXG150035.60	C/A	3,148	349	230/460	91.0	C, CN
25	1770	284T	EXG150011.60	C/A	2,857	370	230/460	92.4	C, CN
30	1770	286T	EXG150015.60	C/A	3,474	428	230/460	92.4	C, CN
40	1780	324T	EXG150019.60	C/A	4,484	528	230/460	93.0	C, CN
50	1780	326T	EXG150023.60	C/A	5,528	561	230/460	93.0	C, CN
60	1780	364T	EXG150027.60	C/A	8,072	687	230/460	93.6	C, CN
75	1780	365T	EXG150031.60	C/A	9,320	723	230/460	94.1	C, CN
100	1780	405T	EXG150087.60	C/A	12,520	1050	230/460	94.5	C, CN
125	1780	444T	EXG151369.60	C/A	16,622	1920	460	94.5	C, CN
150	1790	445T	EXG151371.60	C/A	18,650	1900	460	95.0	C, CN
200	1790	447T	EXG150352.60	C/A	23,775	2053	460	95.0	C, CN

Shaded model numbers are cast iron frame

♥ Note listing on inside back flap
Specifications are subject to change without notice

C/A - Check Availability



Pump Motors
Washguard Motors
Agricultural Duty Motors
HVAC / Fan Motors
Special Voltage Motors
Definite Purpose Motors
Brake Motors
IEC Motors
DC Motors

Definite Purpose Motors

Export Only Motors - Three Phase - EAct and Standard Efficiency

Three Phase - TEFC - C Face With Base

HP	RPM 60 Hz	NEMA Frame	Catalog Number	Stock	List Price	App. Wgt. (lbs)	Voltage	% FL. EFF.	♥Notes
1	1740	145TC	EXG121286.00	C/A	650	35	230/460	82.50%	S, US
1 1/2	1725	145TC	EXG121287.00	C/A	649	37	230/460	84.00%	S, US
2	1725	145TC	EXG120276.00	C/A	680	45	230/460	84.00%	S, US
3	1760	182TC	EXG130326.00	C/A	843	68	230/460	87.50%	S, MX
3	1750	182TC	EXG151565.60	C/A	977	94	230/460	87.50%	C, CN
5	1760	184TC	EXG130328.00	C/A	967	81	230/460	87.50%	S, MX
5	1750	184TC	EXG151566.60	C/A	1,072	101	230/460	87.50%	C, CN
7 1/2	1740	213TC	EXG140183.00	C/A	1,158	153	230/460	89.50%	S, MX
7 1/2	1760	213TC	EXG150165.60	C/A	1,223	156	230/460	89.50%	C, CN
10	1740	215TC	EXG140147.00	C/A	1,355	162	230/460	89.50%	S, MX
10	1760	215TC	EXG150167.60	C/A	1,441	178	230/460	89.50%	C, CN
15	1770	254TC	EXG150102.60	C/A	2,066	268	230/460	91.00%	C, CN
20	1770	256TC	EXG150080.60	C/A	2,522	321	230/460	91.00%	C, CN
25	1770	284TC	EXG150081.60	C/A	3,253	387	230/460	92.40%	C, CN
30	1770	286TC	EXG150082.60	C/A	3,595	433	230/460	92.40%	C, CN
40	1780	324TC	EXG150083.60	C/A	4,906	572	230/460	93.00%	C, CN
50	1780	326TC	EXG150084.60	C/A	5,687	631	230/460	93.00%	C, CN
60	1780	364TC	EXG150085.60	C/A	8,578	699	230/460	93.60%	C, CN
75	1780	365TC	EXG150086.60	C/A	10,880	757	230/460	94.10%	C, CN
100	1780	405TC	EXG151680.60	C/A	13,610	1100	230/460	94.50%	C, CN

Shaded model numbers are cast iron frame

♥ Note listing on inside back flap
Specifications are subject to change without notice

C/A - Check Availability

Three Phase - TEFC - C Face Less Base

HP	RPM 60 Hz	NEMA Frame	Catalog Number	Stock	List Price	App. Wgt. (lbs)	Voltage	% FL. EFF.	♥Notes
1	1725	143TC	EX120024.00	C/A	538	26	230/460	77.00%	S, US
1 1/2	1725	145TC	EX120037.00	C/A	552	32	230/460	80.00%	S, US
2	1725	145TC	EX120038.00	C/A	591	35	230/460	81.50%	S, US
3	1725	145TC	EX121035.00	C/A	782	44	230/460	82.50%	S, US
3	1740	182TC	EX131491.00	C/A	751	52	230/460	82.50%	S, MX
5	1725	184TC	EX131492.00	C/A	859	64	230/460	82.50%	S, MX
7 1/2	1740	184TC	EX131606.00	C/A	1,104	66	230/460	87.00%	S, MX
7 1/2	1740	213TC	EX151346.60	C/A	1,197	162	230/460	87.90%	C, CN
7 1/2	1750	S213TC	EX131528.00	C/A	1,104	102	230/460	87.00%	S, MX
10	1740	215TC	EX140109.00	C/A	1,323	141	230/460	89.50%	S, MX
10	1750	215TC	EX151348.60	C/A	1,409	185	230/460	88.40%	C, CN
15	1760	254TC	EX151350.60	C/A	2,001	284	230/460	90.00%	C, CN
20	1760	256TC	EX151352.60	C/A	2,522	270	230/460	91.20%	C, CN
25	1760	284TC	EX151507.60	C/A	3,178	390	230/460	91.30%	C, CN
30	1760	286TC	EX151508.60	C/A	3,819	411	230/460	91.50%	C, CN
40	1760	324TC	EX151509.60	C/A	4,885	548	230/460	92.10%	C, CN
50	1760	326TC	EX151510.60	C/A	5,637	594	230/460	92.40%	C, CN
60	1760	364TC	EX151519.60	C/A	8,471	778	230/460	92.70%	C, CN

Shaded model numbers are cast iron frame

♥ Note listing on inside back flap
Specifications are subject to change without notice

C/A - Check Availability



CUSTOMER CARE—BUILT ON CUSTOMER INPUT.

Our customer care process revolves around one thing—listening—before, during and after your purchase. LEESON® representatives are ready to assist you 24/7 with product, technical and service support needs.



TRUST LEESON® DESIGN AND MANUFACTURING EXPERIENCE TO DELIVER **THE PERFECT SOLUTION** FOR YOUR APPLICATION.

MORE THAN 100 YEARS OF LARGE MOTOR EXPERTISE.

For over a century, dedicated LEESON specialists have provided large motor solutions for countless industries and applications. This expertise ensures you receive the best product—stock or custom—for your unique installation. Tap our sales, technical and support teams to configure the perfect solution for your mission-critical application.

BROAD STOCK PRODUCT PORTFOLIO ENSURES RAPID RESPONSE.

LEESON carries a broad range of stock products across an extensive network of distribution centers to help deliver the right product at the right time. Trust LEESON to deliver solutions that help you stay up and running.

MODULAR MANUFACTURING DELIVERS APPLICATION SPECIFIC PRODUCTS FASTER.

Our modular manufacturing design approach enables the configuration of products in compressed time frames. Get the product that meets your specifications without compromising features or functionality.

ACCESSORIES ENABLE CUSTOMIZED SOLUTIONS.

An extensive range of specialized motor accessories helps deliver flexible, application-specific solutions. From overload protection, voltage surge protection to vibration protection, your trusted LEESON representative will help you design the ideal large motor for your needs.



Pump Motors

Washguard Motors

Agricultural Duty Motors

HVAC / Fan Motors

Special Voltage Motors

Definite Purpose Motors

Brake Motors

IEC Motors

DC Motors

Brakemotors

Pump
Motors

Washguard
Motors

Agricultural
Duty Motors

HVAC / Fan
Motors

Special Voltage
Motors

Definite
Purpose Motors

Brake Motors

IEC Motors

DC Motors

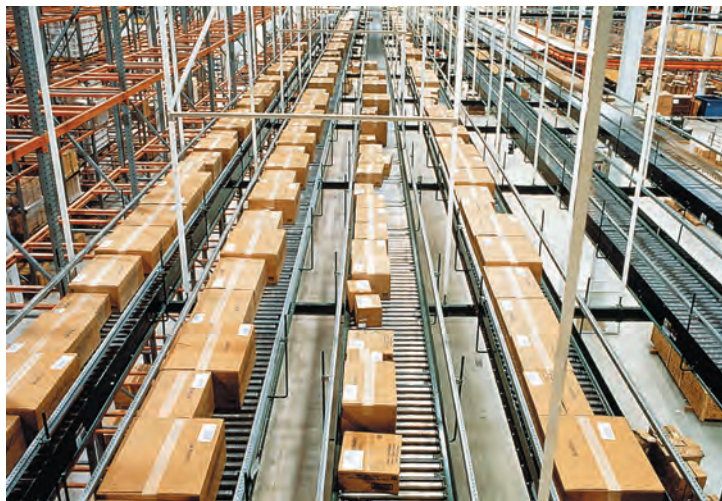


Features:

- Fail-safe positive stop and holding brakes
- Load stops automatically when power is turned off
- Manual brake release designs
- Dual voltage brake coils
- Single and three phase models
- Washdown duty models
- Brake kits available
- Coupler brake kits available
- High cycle models available
- IEC Brakemotors - see page 281

Applications:

For use where quick response stopping and holding is required in the application, which may include conveyors, hoists, packaging equipment etc...



Single Phase - TENV/TEFC - C Face With Base

HP	SYN RPM 60 Hz	NEMA Frame	Brake Rating (ft-lbs)	Catalog Number	Stock	List Price	Model Number	App. Wgt. (lbs)	Voltage	F. L. Amps @ 230V	Service Factor	"C" Dim. (Inches)	♥Notes
1/3	1800	56C	3	114165.00	√	1,099	C6C17NK19	28	115/208-230	2.9	1.15	14.06	S, US, 12
1/2	1800	56C	3	111950.00	√	1,187	C6C17FK20	32	115/208-230	4.4	1.00	15.06	S, US, 13
3/4	1800	56C	6	114167.00	√	1,561	C6C17FK50	38	115/208-230	5.4	1.15	15.56	S, US, 13
1	1800	56C	6	111951.00	√	1,653	C6K17FK21	38	115/208-230	5.3	1.00	16.07	S, US, 13, 53
1 1/2	1800	145TC	10	121815.00	√	1,751	C145K17FK17	40	115/208-230	8.8	1.00	18.23	S, US, 13, 53
2	1800	145TC	10	121816.00	√	1,793	C145K17FK16	40	115/208-230	9.2	1.00	19.23	S, US, 13, 53

Note 12 - TENV
Note 13 - TEFC

♥ Note listing on inside back flap
Specifications are subject to change without notice

Three Phase - Drip-Proof - Rigid Base

HP	SYN RPM 60 Hz	NEMA Frame	Brake Rating (ft-lbs)	Catalog Number	Stock	List Price	Model Number	App. Wgt. (lbs)	Voltage	F. L. Amps @ 230V	% F.L. EFF.	Service Factor	"C" Dim. (Inches)	♥Notes
1/2	1800	56	3	114162.00	C/A	1,069	C6T17DB46	28	208-230/460	2.0	74.0	1.25	13.56	S, US
3/4	1800	56	6	114163.00	C/A	1,248	C6T17DB47	29	208-230/460	2.8	77.0	1.25	14.06	S, US
1	1800	56	6	114164.00	C/A	1,359	C6T17DB48	32	208-230/460	4.2	78.5	1.15	14.06	S, US
1 1/2	1800	145T	10	122237.00	C/A	1,668	C145T17DB84	44	230/460	4.8	86.5	1.15	16.50	S, US
2	1800	145T	10	122238.00	√	1,868	C145T17DB82	52	208-230/460	5.8	86.5	1.15	17.00	S, US
3	1800	182T	15	132468.00	C/A	2,308	C182T17DB64	69	230/460	8.0	89.5	1.15	16.89	S, MX
5	1800	184TC	25	132469.00	C/A	2,901	C184T17DB86	101	230/460	12.6	89.5	1.15	17.89	S, MX
7 1/2	1800	213T	35	140611.00	√	3,529	C213T17DB17	137	230/460	20.8	91.0	1.15	24.50	S, MX
10	1800	215T	50	140635.00	√	4,460	C215T17DB35	145	208-230/460	26.2	91.7	1.15	24.50	S, MX

Note: ♦ - 35 and 50 Ft-lb brakes - Horizontal mounting only
All 180 and 210 frame Rolled Steel motors have Class F Insulation.

♥ Note listing on inside back flap
Specifications are subject to change without notice

Green items are Premium Efficient
C/A - Check Availability



Three Phase - Drip-Proof - C Face Less Base

HP	SYN RPM 60 Hz	NEMA Frame	Brake Rating (ft-lbs)	Catalog Number	Stock	List Price	Model Number	App. Wgt. (lbs)	Voltage	F. L. Amps @ 230V	% F.L. EFF.	Service Factor	"C" Dim. (Inches)	♥Notes
1/2	1800	56C	3	114156.00	√	1,099	C6T17DC53	28	208-230/460	2.0	74.0	1.25	13.56	S, US
3/4	1800	56C	6	114157.00	√	1,281	C6T17DC55	38	208-230/460	2.8	77.0	1.25	14.06	S, US
1	1800	56C	6	114166.00	√	1,384	C6T17DC54	40	208-230/460	3.4	78.5	1.15	14.06	S, US
1	1800	143TC	6	121678.00	D	1,384	C143T17DC14	42	230/460	3.4	78.5	1.15	14.50	S, US
1	1800	143TC	6	122239.00	C/A	1,469	C143T17DC19	45	230/460	3.2	85.5	1.15	16.00	S, US
1 1/2	1800	145TC	10	120372.00	D	1,610	C145T17DC16	43	230/460	5.6	78.5	1.15	15.50	S, US
1 1/2	1800	145TC	10	122240.00	C/A	1,716	C145T17DC49	47	230/460	4.8	86.5	1.15	17.00	S, US
1 1/2	1800	56C	10	116766.00	√	1,610	C6T17DC83	43	230/460	5.6	78.5	1.15	15.50	S, US
2	1800	145TC	10	122241.00	√	1,933	C145T17DC50	52	230/460	5.8	86.5	1.15	17.50	S, US
3	1800	182TC	15	132470.00	√	2,396	C182T17DC22	69	230/460	8.0	89.5	1.15	13.39	S, MX
5	1800	184TC	25	131625.00	D	2,833	C184T17DC18	76	230/460	14.2	84.0	1.15	17.35	S, MX
5	1800	184TC	25	132471.00	√	2,973	C184T17DC30	100	230/460	14.2	89.5	1.15	17.85	S, MX

Green items are Premium Efficient
D - Item to be discontinued once inventory is depleted
C/A - Check Availability

♥ Note listing on inside back flap
Specifications are subject to change without notice



Pump Motors
 Washguard Motors
 Agricultural Duty Motors
 HVAC / Fan Motors
 Special Voltage Motors
 Definite Purpose Motors
 Brake Motors
 IEC Motors
 DC Motors

Brakemotors

Three Phase



Three Phase - Drip-Proof - C Face With Base

HP	SYN RPM 60 Hz	NEMA Frame	Brake Rating (ft-lbs)	Catalog Number	Stock	List Price	Model Number	App. Wgt. (lbs)	Voltage	F. L. Amps @ 230V	% FL. EFF.	Service Factor	"C" Dim. (Inches)	♥Notes
1/2	1800	56C	3	111326.00	C/A	1,108	C6T17DK7	31	208-230/460	2.0	74.0	1.25	13.56	S, US
3/4	1800	56C	6	111327.00	C/A	1,298	C6T17DK8	34	208-230/460	2.8	77.0	1.25	14.06	S, US
1	1800	56C	6	111328.00	√	1,402	C6T17DK9	42	208-230/460	4.2	78.5	1.15	14.06	S, US
1 1/2	1800	145TC	10	122242.00	C/A	1,692	C145T17DK30	44	230/460	4.8	86.5	1.15	16.50	S, US
2	1800	145TC	10	122243.00	C/A	1,906	C145T17DK28	53	208-230/460	5.8	86.5	1.15	17.00	S, US
3	1800	182TC	15	G131558.00	D	2,512	C182T17DK14	84	230/460	8.4	86.5	1.15	16.90	S, MX
3	1800	182TC	15	132472.00	C/A	2,651	C184T17DK45	87	230/460	8.0	89.5	1.15	13.39	S, MX
5	1800	184TC	25	132473.00	C/A	3,219	C184T17DK32	100	230/460	12.6	89.5	1.15	14.39	S, MX
7 1/2	1800	213TC	35	140610.00	C/A	3,727	C213T17DK17	118	230/460	20.0	91.0	1.15	26.89	S, MX
10	1800	215TC	50	140638.00	C/A	4,662	C215T17DK16	129	230/460	26.2	91.7	1.15		S, MX

Green items are Premium Efficient

D - Item to be discontinued once inventory is depleted
C/A - Check Availability

♥ Note listing on inside back flap
Specifications are subject to change without notice



Three Phase - TENV/TEFC - Rigid Base

HP	SYN RPM 60 Hz	NEMA Frame	Brake Rating (ft-lbs)	Catalog Number	Stock	List Price	Model Number	App. Wgt. (lbs)	Voltage	F. L. Amps @ 230V	% FL. EFF.	Service Factor	"C" Dim. (Inches)	♥Notes
1/3	1800	56	3	114151.00	C/A	1,044	C6T17NB51	28	208-230/460	1.3	72.0	1.15	13.56	S, US, 12
1/2	1800	56	3	114150.00	√	1,137	C6T17NB50	33	208-230/460	1.8	78.5	1.15	14.06	S, US, 12
1/2	1200	56	6	114149.00	C/A	1,569	C6T11FB16	33	208-230/460	2.4	70.0	1.15	15.56	S, US
3/4	1800	56	6	114147.00	√	1,331	C6T17FB79	34	208-230/460	2.8	77.0	1.15	15.56	S, US
1	1800	56	6	119561.00	C/A	1,587	C6T17FB194	39	230/460	3.2	85.5	1.15	17.23	S, US
1	1800	143T	6	122244.00	√	1,591	C143T17FB34	43	208-230/460	3.2	85.5	1.15	17.66	S, US
1	1200	145T	10	G121050.00	D	2,171	C145T11FB18	45	230/460	3.6	80.0	1.15	17.52	S, US
1	1200	145T	10	122245.00	√	2,240	C145T11FB22	47	230/460	3.8	82.5	1.15	18.16	S, US
1 1/2	1800	56	10	119562.00	√	1,781	C6T17FB196	46	230/460	4.8	86.5	1.15	17.73	S, US
1 1/2	1800	145T	10	122246.00	√	1,785	C145T17FB104	48	208-230/460	4.8	86.5	1.15	18.16	S, US
2	1800	145	10	122247.00	√	1,830	C145T17FB103	55	208-230/460	5.8	86.5	1.15	18.66	S, US
2	1200	184T	15	132474.00	√	3,033	C184T11FB31	83	230/460	6.4	88.5	1.15	15.82	S, MX
3	1800	182T	15	132475.00	√	2,500	C182T17FB59	80	230/460	7.8	89.5	1.15	14.82	S, MX
3	1200	213T	35	140601.00	√	4,537	C213T11FB6	150	230/460	8.8	89.5	1.15		S, MX
5	1800	184T	25	132476.00	√	3,092	C184T17FB74	106	230/460	12.6	89.5	1.15	15.82	S, MX
7 1/2	1800	213T	35	140603.00	√	3,908	C213T17FB24	166	230/460	21.3	91.7	1.15		S, MX
10	1800	215T	50	140636.00	√	4,471	C215T17FB33	178	230/460	26.8	91.7	1.15	29.00	S, MX

Green items are Premium Efficient

Note 12 - TENV
D - Item to be discontinued once inventory is depleted
C/A - Check Availability

♥ Note listing on inside back flap
Specifications are subject to change without notice





Brakemotors Three Phase

Pump
Motors

Washguard
Motors

Agricultural
Duty Motors

HVAC / Fan
Motors

Special Voltage
Motors

Definite
Purpose Motors

Brake Motors

IEC Motors

DC Motors

Three Phase - TEFC - C Face With Base

HP	SYN RPM 60 Hz	NEMA Frame	Brake Rating (ft-lbs)	Catalog Number	Stock	List Price	Model Number	App. Wgt. (lbs)	Voltage	F. L. Amps @ 230V	% F.L. EFF.	Service Factor	"C" Dim. (Inches)	♥Notes
1/3	1800	56C	3	110669.00	√	1,049	C6T17NK1	30	208-230/460	1.3	72.0	1.15	13.56	S, US, 12
1/2	1800	56C	3	110670.00	√	1,178	C6T17NK2	34	208-230/460	1.8	78.5	1.15	14.06	S, US, 12
1/2	1800	56C	6	114154.00	√	1,178	C6T17FK49	34	208-230/460	2.4	74.0	1.15	15.06	S, US
1/2	1200	56C	6	114152.00	√	1,695	C6T11FK5	34	208-230/460	2.4	70.0	1.15	15.56	S, US
3/4	1800	56C	6	110671.00	√	1,379	C6T17NK3	34	208-230/460	2.5	80.0	1.15	14.56	S, US, 12
3/4	1800	56C	6	114155.00	√	1,379	C6T17FK48	46	208-230/460	2.8	77.0	1.00	15.56	S, US
1	1800	56C	6	119563.00	√	1,686	C6T17FK105	35	208-230/460	3.2	85.5	1.15	17.31	S, US
1	1800	143TC	6	122248.00	√	1,694	C143T17FK30	45	230/460	3.2	85.5	1.15	17.66	S, US
1 1/2	1800	145TC	10	122249.00	√	1,863	C145T17FK76	47	230/460	4.8	86.5	1.15	18.16	S, US
2	1800	145TC	10	122250.00	√	1,926	C145T17FK75	61	208-230/460	5.8	86.5	1.15	18.66	S, US
3	1800	182TC	15	132477.00	√	2,616	C182T17FK21	82	230/460	7.8	89.5	1.15	15.82	S, MX
5	1800	184TC	25	132478.00	√	3,256	C184T17FK38	20	230/460	12.6	89.5	1.15	16.32	S, MX
7 1/2	1800	213TC	35	140605.00	√	4,172	C213T17FK46	167	230/460	21.6	91.7	1.15	28.00	S, MX
10	1800	215TC	50	140639.00	√	5,275	C215T17FK47	177	230/460	26.8	91.7	1.15	29.00	S, MX

Green items are Premium Efficient

Note 12 - TENV

♥ Note listing on inside back flap

Specifications are subject to change without notice



Three Phase - TEFC - C Face Less Base

HP	SYN RPM 60 Hz	NEMA Frame	Brake Rating (ft-lbs)	Catalog Number	Stock	List Price	Model Number	App. Wgt. (lbs)	Voltage	F. L. Amps @ 230V	% F.L. EFF.	Service Factor	"C" Dim. (Inches)	♥Notes
1/3	1800	56C	3	114158.00	√	1,065	C6T17NC194	26	208-230/460	1.3	72.0	1.15	13.56	S, US, 12
1/2	1800	56C	3	114159.00	√	1,160	C6T17FC111	26	208-230/460	2.0	74.0	1.15	15.31	S, US
3/4	1800	56C	6	114160.00	√	1,361	C6T17FC112	34	208-230/460	2.8	77.0	1.15	15.31	S, US
1	1800	56C	6	119564.00	√	1,636	C6T17FC249	32	208-230/460	3.2	85.5	1.15	17.31	S, US
1	1800	143TC	6	122251.00	√	1,646	C143T17FC42	39	208-230/460	3.2	85.5	1.15	17.73	S, US
1 1/2	1800	56C	10	119565.00	√	1,837	C6T17FC250	42	208-230/460	4.8	86.5	1.15	17.81	S, US
1 1/2	1800	145TC	10	122252.00	√	1,850	C145T17FC127	43	208-230/460	4.8	86.5	1.15	18.66	S, US
2	1800	145TC	10	122253.00	√	1,901	C145T17FC126	53	208-230/460	5.8	86.5	1.15	18.73	S, US
3	1800	182TC	15	132479.00	√	2,575	C182T17FC44	72	230/460	7.8	89.5	1.15	19.98	S, MX
5	1800	184TC	25	132480.00	√	3,242	C184T17FC55	95	230/460	12.6	89.5	1.15	16.32	S, MX
7 1/2	1800	213TC	35	141308.00	√	4,137	C213T17FC43	152	230/460	21.6	91.7	1.15	28.00	S, MX
10	1800	215TC	50	141309.00	√	5,240	C215T17FC11	175	230/460	26.8	91.7	1.15	29.00	S, MX

Green items are Premium Efficient

Note 12 - TENV

♥ Note listing on inside back flap

Specifications are subject to change without notice



Washdown Duty Brakemotors

White Epoxy Painted



Washguard® Brakemotors - TENV/TEFC - C Face With Base

HP	SYN RPM 60 Hz	NEMA Frame	Brake Rating (ft-lbs)	Catalog Number	Stock	List Price	Model Number	App. Wgt. (lbs)	Voltage	F. L. Amps @ 230V	% F.L. EFF.	Service Factor	"C" Dim. (Inches)	♥Notes
1/3	1800	56C	3	116466.00	C/A	1,459	C6T17VK28	40	208-230/460	1.3	72.0	1.15	14.00	S, US, 12
1/2	1800	56C	3	116467.00	√	1,488	C6T17VK30	42	208-230/460	1.8	78.5	1.15	14.50	S, US, 12
3/4	1800	56C	6	116468.00	√	1,765	C6T17VK29	44	208-230/460	2.5	80.0	1.15	15.00	S, US, 12
1	1800	56HC	6	119486.00	√	1,915	C6T17WK47	53	208-230/460	3.2	85.5	1.15	17.50	S, US, 13
1	1800	143TC	6	122193.00	√	1,933	C143T17WK14	53	208-230/460	3.2	85.5	1.15	17.50	S, US, 13
1 1/2	1800	145TC	10	122195.00	√	2,636	C145T17WK55	55	208-230/460	4.8	86.5	1.15	18.50	S, US, 13
2	1800	145TC	10	122197.00	√	2,716	C145T17WK56	67	208-230/460	5.8	86.5	1.15	19.00	S, US, 13

Green items are Premium Efficient

C/A - Check Availability
Note 12 - TENV
Note 13 - TEFC

♥ Note listing on inside back flap
Specifications are subject to change without notice

Washguard® Brakemotors - TENV/TEFC - C Face Less Base

HP	SYN RPM 60 Hz	NEMA Frame	Brake Rating (ft-lbs)	Catalog Number	Stock	List Price	Model Number	App. Wgt. (lbs)	Voltage	F. L. Amps @ 230V	% F.L. EFF.	Service Factor	"C" Dim. (Inches)	♥Notes
1/3	1800	56C	3	116462.00	√	1,408	C6T17VC43	39	208-230/460	1.3	72.0	1.15	14.00	S, US, 12
1/2	1800	56C	3	116463.00	√	1,443	C6T17VC42	41	208-230/460	1.8	78.5	1.15	14.50	S, US, 12
3/4	1800	56C	6	116464.00	√	1,717	C6T17VC44	43	208-230/460	2.5	80.0	1.15	15.00	S, US, 12
1	1800	56C	6	119485.00	√	1,893	C6T17WC54	50	208-230/460	3.2	85.5	1.15	15.50	S, US, 13
1	1800	143TC	6	122192.00	√	1,906	C143T17VC9	52	208-230/460	3.2	85.5	1.15	17.50	S, US, 13
1 1/2	1800	145TC	10	122194.00	√	2,603	C145T17WC44	55	208-230/460	4.8	86.5	1.15	18.50	S, US, 13
2	1800	145TC	10	122196.00	√	2,670	C145T17WC45	65	208-230/460	5.8	86.5	1.15	19.00	S, US, 13
2	1800	145TC	10	122196.00	√	2,670	C145T17WC45	65	208-230/460	5.8	86.5	1.15	19.00	S, US, 13

Green items are Premium Efficient

Note 12 - TENV
Note 13 - TEFC

♥ Note listing on inside back flap
Specifications are subject to change without notice

Stainless Steel Brakemotors

Three Phase - TENV/TEFC - C Face With Base



HP	SYN RPM 60 Hz	NEMA Frame	Brake Rating (ft-lbs)	Catalog Number	Stock	List Price	Model Number	App. Wgt. (lbs)	Voltage	F. L. Amps @ 230V	% F.L. EFF.	Service Factor	"C" Dim. (Inches)	♥Notes
1/2	1800	56C	3	116483.00	C/A	5,503	CZ6T17VK31	59	208-230/460	1.6	78.5	1.15	15.85	S, US, 12
1	1800	56C	6	119785.00	√	6,197	CZ6T17VK61	73	208-230/460	3.2	85.5	1.15	15.56	S, US, 13

Green items are Premium Efficient

C/A - Check Availability
Note 12 - TENV
Note 13 - TEFC

♥ Note listing on inside back flap
Specifications are subject to change without notice

Brakemotors

High Cycle Brakemotors



Applications:

For use in applications that require frequent starting and stopping such as conveyors and unit and baggage handling equipment.

Features:

- All cast iron construction
- *Stearns® high cycle brakes
- Manual release lever on brakes
- UL and CSA recognized construction

Three Phase - TENV - C Face Less Base

HP	SYN RPM 60 Hz	NEMA Frame	Brake Rating (ft-lbs)	Catalog Number	Stock	List Price	Model Number	App. Wgt. (lbs)	Voltage	F. L. Amps @ 230V	% FL. EFF.	Service Factor	"C" Dim. (Inches)	♥Notes
1/2	1800	56C	6	117698.00	√	1,359	C6T17NC332	60	230	1.6	82.5	1.00	15.10	C, US
3/4	1800	56C	6	117699.00	√	1,569	C6T17NC333	65	230	2.2	85.5	1.00	16.10	C, US
1	1800	56C	6	117700.00	D	1,766	C6T17NC334	80	230	2.8	84.0	1.15	16.10	C, US
1	1800	56C	6	119566.00	√	1,925	C6T17NC343	82	230	3.0	85.5	1.15	16.10	C, US
1.5	1800	143TC	12	121979.00	D	1,930	C145T17NC29	90	230	4.4	84.0	1.25	16.16	C, US
1.5	1800	143TC	12	122254.00	√	2,102	C145T17NC33	93	230	4.6	86.5	1.15	16.16	C, US
2	1800	145TC	12	121980.00	D	2,109	C145T17NC30	95	230	6.6	85.5	1.15	16.16	C, US
2	1800	145TC	12	122255.00	√	2,214	C145T17NC31	98	230	6.0	86.5	1.15	16.16	C, US

Green items are Premium Efficient

D - Item to be discontinued once inventory is depleted

♥ Note listing on inside back flap
Specifications are subject to change without notice

Pump Motors

Washguard Motors

Agricultural Duty Motors

HVAC / Fan Motors

Special Voltage Motors

Definite Purpose Motors

Brake Motors

IEC Motors

DC Motors

Brakemotors

Brakekits



- Kit of components to convert 56 through 256T frame stock TEFC motors to fail-safe brakemotors.
- Kit mounts on fan end of motor. Kits for 56-184T steel frame motors include totally enclosed *Stearns® AC brake, replacement cast fan cover, shaft extension, fan and hardware. Kits for 213T-256T cast iron frame motors do not include brake, but are designed for Stearns® 87,000 series brake.
- Two 1/2" NPT holes with 18" leads are provided for connections. The Brakekit adds 5-1/8" to the overall length of 56 and 143-5T frame, and 5-7/8" to the overall length of 182-184T frame.

Brakekits

Brake Rating (ft-lbs)	Mounts to NEMA Frame	Max. HP @ 1725 RPM	Catalog No. 115/230 V Brake Coil Voltage	List Price	Catalog No. 208-230/460V Brake Coil Voltage	List Price	Catalog No. 575V Brake Coil Voltage	List Price	App. Wt. (lbs.)
3	48/S56	1	—	—	175615.00	766	—	—	10
3	56/143-5T	1	175762.00 ◊	766	175765.00 ◊	766	175768.00 ◊	766	10
6	56/143-5T	2	175763.00 ◊	880	175766.00 ◊	880	175769.00 ◊	880	10
10	56/143-5T	3	175764.00 ◊	1,008	175767.00 ◊	1,008	175770.00 ◊	979	10
15	182-4T	3	—	—	175696.00	1,880	175698.00	1,880	12
25	182-4T	5	—	—	175697.00	2,131	175699.00	2,131	12

56/143-5T frame Brakekits cannot be used on S56 frame motors.

All brake coils are single phase. You can use a 230/460 V coil on a single phase motor by using the 230 volt motor connection and the 230 V brake connection.

▲ For motors having a "P" or "K" for the suffix letter on the date code and having a face mount fan guard.

◊ For 56/145 frame motors having a "B" for the suffix letter for the date code and having a face mount fan guard.

Note: TC frame, JM & JP pump motors having a B or M suffix letter on date code can also use brake kits.

Brake Selection

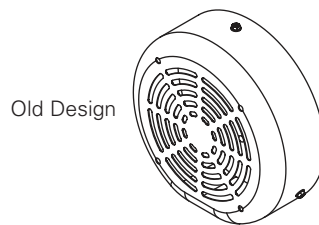
In this table, brake torque ratings are no less than 140% of the motor full load torque. Match HP & frame size of motor with appropriately rated brake kit.

HP	Brakemotor RPM Torque Rating		
	3450	1725	1140
1/3	3	3	3
1/2	3	3	3
3/4	3	6	6
1	3	6	6
1 1/2	6	10	10
2	6	10	15
3	10	15	25
5	15	25	35
7.5	25	35	50
10	25	50	75
15	35	75	105
20	50	105	—

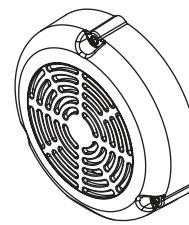
Brake Adapter Kits

Brake Rating (ft-lbs)	Mounts to NEMA Frame	Max. HP @ 1725 RPM	Catalog Number	List Price	App. Wt. (lbs.)
6-105	213-5T	10	175710.60	349	30
6-105	254-6T	20	175711.60	493	40

- Brake Adapter Kits include adapter casting/fan guard, brake fan, adapter shaft and hardware needed to mount a Stearns® 87,000 series brake (sold separately by Stearns).
- Shaded frame sizes are for use with cast iron motors.
- For use with Wattsaver and "G" Prefix cast iron motors



Old Design



New Design - Face Mount



Kits include a Stearns NEMA® 4X brake to convert 56 thru 145T frame stock TEFC only motors to fail-safe brakemotors. Food safe white epoxy finish. BISSC Certified. Adds 5-1/8" to the overall length of 56 thru 145T Washguard® TEFC motors.



For 230/460V Three Phase and 230V Single Phase Motors

Brake Rating (ft-lbs)	Mounts to NEMA Frame	Max. HP @ 1725 RPM	Catalog Number	List Price	App. Wt. (lbs.)
3	56/143-5T	1	175771.00	1,433	24
6	56/143-5T	2	175772.00	1,511	36
10	56/143-5T	3	175773.00	1,592	43



* For 56/145 frame motors having a "B" for the suffix letter for the date code and having a face mount fan guard.
 Specifications are subject to change without notice

Coupler Brakes

Double C Face Coupler Brakes

- A new and expanded line of coupler brakes designed for applications where mounting the brake between the motor and driven load is the preferred, or most convenient, location. They are an excellent problem solver for applications where a brake needs to be added to existing equipment – without replacing the motor.
- Rugged cast aluminum or cast iron construction *Stearns® brakes are well suited to most industrial applications. Coupler brakes are designed to be C-face connected on both ends – these brakes are not suited for overhung loads to be applied to the output shaft.
- A wide range of voltages and brake torque ratings in both NEMA 2 and NEMA 4X enclosures are available from stock. NEMA 2 brakes are best suited for use with standard ODP and TEFC motors. NEMA 4X brakes are designed for use with LEESON® Washguard motors.

General Purpose Coupler Brakes

- Mounts directly to the face and shaft of NEMA 56 through 215T-frame C-face motors to create a fail-safe brakemotor.
- The 6 ft.lb. brake mounts to NEMA 56C or 143-5TC motors using an optional adaptor sleeve, which is included with the brake. Output shaft can be either 56C or 143-5TC depending on the location of the provided adaptor sleeve. A 1/2 NPT threaded lead exit hole is provided for power connections.

*Stearns is a trademark of Rexnord Corporation. All Rights Reserved.

NEMA is a trademark of National Electrical Manufacturers Corporation. All Rights Reserved.



- Pump Motors
- Washguard Motors
- Agricultural Duty Motors
- HVAC / Fan Motors
- Special Voltage Motors
- Definite Purpose Motors
- Brake Motors
- IEC Motors
- DC Motors

Brakemotors

General Purpose Coupler Brakes

Stearns®



General Purpose (NEMA® 2) Coupler Brakes For Both Single and Three Phase Motors

Brake Rating (ft-lbs)	Max.HP@ 1725 RPM	Motor Voltage 115/208-230V	Motor Voltage 208-230/460V	Motor Voltage 575V	List Price	Mounts to NEMA Frame	Coupler Brake Output Shaft and Face	Add to Motor "C" Dim.	App. Wt. (lbs.)
3	1	175563.00	175564.00	175565.00	736	56C	5/8", 56C	4.91	13
6	2	175569.00	175570.00	175571.00	844	56C/143-5TC	5/8" or 7/8", 56C	4.91	14
10	3	175575.00	175576.00	175577.00	884	143-5TC	7/8", 143-5TC	4.91	15
15	3	—	175581.00	—	1,010	143-5TC	7/8", 143-5TC	4.91	16
15	3	—	175583.00	—	3,593	182-4TC	1 1/8", 182-4TC	8.38	58
25	5	—	175585.00	—	3,758	213-5TC	1 3/8", 213-5TC	8.38	58
35	7 1/2	—	175587.00	—	4,124	213-5TC	1 3/8", 213-5TC	8.88	60
50	10	—	175589.00	—	4,565			8.88	62

Specifications are subject to change without notice

Washguard® Coupler Brakes

Solid die-cast Aluminum *Stearns® NEMA 4X coupler brake converts any TEFC or TENV 56C thru 215TC motor to a fail-safe brakemotor by mounting between the C-face motor and driven equipment. Food safe white epoxy finish. BISSC Certified. Adds 5" to the overall length of 56C thru 145TC Washguard® TEFC or TENV motors. Includes all mounting components.



Washguard® (NEMA 4X) Coupler Brakes For Both Single and Three Phase Motors

Brake Rating (ft-lbs)	Max.HP@ 1725 RPM	Motor Voltage 115/208-230V	Motor Voltage 208-230/460V	Motor Voltage 575V	List Price	Mounts to NEMA Frame	Coupler Brake Output Shaft and Face	Add to Motor "C" Dim.	App. Wt. (lbs.)
3	1	175566.00	175567.00	175568.00	1,289	56C	5/8", 56C	4.94	13
6	2	175572.00	175573.00	175574.00	1,387	56C/143-5TC	5/8" or 7/8", 56C	4.94	14
10	3	175578.00	175579.00	175580.00	1,429	143-5TC	7/8", 143-5TC	4.94	15
15	3	—	175582.00	—	1,663	143-5TC	7/8", 143-5TC	4.94	16
15	3	—	175584.00	—	4,501	182-4TC	1 1/8", 182-4TC	8.38	58
25	5	—	175586.00	—	4,588	182-4TC	1 1/8", 182-4TC	8.38	58
35	7 1/2	—	175588.00	—	4,759	213-5TC	1 3/8", 213-5TC	8.88	60
50	10	—	175590.00	—	5,315	213-5TC	1 3/8", 213-5TC	8.88	62

Specifications are subject to change without notice

*Stearns is a trademark of Rexnord Corporation.
All Rights Reserved.

NEMA is a trademark of National Electrical Manufacturers Corporation. All Rights Reserved.



NEW!

IEC Brakemotors



These motors meet North American performance standards and Premium energy efficiency mandates and have a 1.15 service factor. Typically used for replacement on machine tools, textile tools, textile machinery and other equipment with metric dimensions but requiring the high torque and performance of motors designed for use in North America.

AC Metric - Three Phase

Features:

- Cast iron frame construction
- 60/50 Hz interchangeability
- 230 volt brake coil
- IP55 enclosure protection
- B3 mounting
- B5 & B14 flange kits available
- 3-year warranty on premium efficiency models
- UL listed and CSA certified



AC Metric - Three Phase - TEFC - B3 Mounting - Rigid Base

kW/HP	SYN RPM 60 Hz	NEMA Frame	Brake Rating (ft-lbs)	Catalog Number	Stock	List Price	Model Number	App. Wgt. (lbs)	Voltage	F. L. Amps @ 230 V	% F.L. Eff.	Service Factor	"C" Dim. (Inches)	♥Notes
1-0.75	1800	80M	6	194222.00	√	1,226	C80T17FZ47A	52	230/460	3.00	83.5%	1.15	13.19	C, CN
1 1/2-1.1	1800	90S	12	194223.00	√	1,398	C90T17FZ31A	81	230/460	4.22	86.5%	1.15	15.48	C, CN
2-1.5	1800	90L	12	194224.00	√	1,471	C90T17FZ32A	81	230/460	5.62	86.5%	1.15	15.48	C, CN
3-2.2	1800	100L	24	194225.00	√	1,775	C100T17FZ49A	110	230/460	7.84	89.5%	1.15	18.13	C, CN
4-3	1800	112M	44	194226.00	√	1,863	C112T17FZ30A	130	230/460	10.50	89.5%	1.15	19.08	C, CN
5 1/2-4	1800	112M	74	194227.00	√	2,164	C112T17FZ31A	136	230/460	14.00	89.5%	1.15	19.08	C, CN

Green items are Premium Efficient

♥ Note listing on inside back flap
Specifications are subject to change without notice

IEC Frame	B5 Flange Kit	List Price	B14 Flange Kit	List Price
80M	176177.00	103	176181.00	86
90S	176178.00	106	176182.00	95
90L	176178.00	106	176182.00	95
100L	176179.00	151	176183.00	133
112M	176180.00	160	176184.00	146



Pump Motors
Washguard Motors
Agricultural Duty Motors
HVAC / Fan Motors
Special Voltage Motors
Definite Purpose Motors
Brake Motors
IEC Motors
DC Motors

IEC Motors

LEESON® Passport Series

Stock standard solutions ready to deliver from locations across the country.



Mount: IM B3/B5



Mount: IM B3



Mount: IM B3/450 Frame (custom)



IEC Motors

	Aluminum Frame AC	Cast Iron Frame AC	Permanent Magnet DC	Commercial Duty DC	Stainless
Enclosure Type	TEFC	TEFC	TENV - TEFC	TENV	TENV - TEFC
Range	0.18 kW–2.2 kW	1.5 kW–75 kW	0.06 kW–2.2 kW	0.050–0.125 kW	0.25–1.5 kW
Voltage	230/460 & 575	230/460 & 575	24 & 180 Volts DC	12, 24 & 90 Volts DC	230/460 Volts
Speed	2, 4 & 6-Pole	2, 4 & 6-Pole	3000 & 1800 RPM	3000	1800 RPM
Frequency	60 Hz (50 Hz derated to next lowest HP)	60 Hz (50 Hz derated to next lowest HP)	DC	DC	60 Hz (50 Hz derated to next lowest HP)
IEC Frame	63–90	100–315	56, 63, 80, 90, 112	56	71–90
Mounting Flanges	B3, B5 and B14	B3, B5 and B14	B3, B5 & B14	B14	B5 & B14
Ambient	40°C	40°C	40°C	40°C	40°C
Insulation	Class F Class B Rise	Class F Class B Rise	Class F	Class F	Class F Class B Rise
NEMA® Design B Breakdown Torque	175–300%	175–300%	N/A	N/A	NEMA Design B Breakdown Torque 175–300%
IEC Design N Breakdown Torque	160–200%	160–200%	N/A	N/A	IEC Design N Breakdown Torque 160–200%
NEMA Design B Lock Rotor Torque	70–275%	70–275%	N/A	N/A	NEMA Design B Lock Rotor Torque 70–275%
IEC Design N Lock Rotor Torque	75–275%	75–275%	N/A	N/A	IEC Design N Lock Rotor Torque 75–275%
Service Factor	1.15	1.15	1.0	1.0	1.15
Inverter Duty	10:1	10:1	SCR 10:1	SCR 10:1	6:1
Warranty	3 Years – Premium Efficient Models	3 Years	1 Year	1 Year	3 Years
Accessories	B5 & B14 Flange Kits	B5 & B14 Flange Kits	B5 & B14 Flange Kits	N/A	N/A
Shaft Seals	Yes	Yes	Yes	Yes	Yes
Terminals Boards	Yes	Yes	N/A	N/A	N/A
IP Construction	IP55	IP55	IP54	IP44	IP56 (Encapsulated designs available)
Efficiency	IE2, IE3 (90 Frame) EPACT and NEMA Premium	IE3 – NEMA Premium	Varies by HP	Varies by HP	Standard and EPACT
Removable Base	Yes	No	Yes	No Base	No





IEC Motors

AC Metric – Three Phase – 230/460 Volt – 575 Volt



These motors meet North American performance standards, premium energy efficiency mandates, and have 1.15 service factors.

Typically used for replacement on machine tools, textile tools, textile machinery and other equipment with metric dimensions but requiring the high torque and performance of motors designed for use in North America.

Features:

- Aluminum frame and cast iron frame construction
- DC and stainless steel IEC motors available
- 60/50 Hz interchangeability
- B3, B5, B14 mounting flanges
- Flange kits available
- Inverter rated IRIS® insulation system on cast iron AC models
- 3-year warranty on premium efficiency models
- 1-year warranty on DC and AC standard efficiency models
- UL listed and CSA certified



Pump
Motors

Washguard
Motors

Agricultural
Duty Motors

HVAC / Fan
Motors

Special Voltage
Motors

Definite
Purpose Motors

Brake Motors

IEC Motors

DC Motors

IEC Motors

AC Metric (IEC) Motors – Three Phase



ALUMINUM FRAME

CSA: File number LR33543

UL: File number E57948 for motors produced January 2004 and later



IRIS® Inverter Rated Insulation System from LEESON provides superior protection against voltage spikes induced by variable frequency drives.



IP55 weatherproof enclosure allows for use in a wide range of applications.

- Terminal boards included.
- 230/460V motors have 9 leads.
 - 575V motors have 3 leads.
 - All terminal boards have 6 posts.

Conduit box with neoprene gaskets. Reposition metric "PG" tapped lead exit hole by rotating box in 90 degree increments. Move box to F1 or F2 position by relocating motor feet.

Drain hole locations in four quadrants can be drilled-out for multi-position condensate drainage.

Special design steel fan cover and low-noise fan maximize airflow efficiency.

D flange (B5) and C face (B14) models available. Field conversion kits also offered.

External grounding provision.

"Captive Shaft" keyway.

Multi-mount repositionable feet allow for three conduit box positions (F2, F1, F3).

Drilled and tapped shaft.

Aluminum "full fact" nameplate with information on motor efficiency and power factor. Stamped with 60 Hz and 50 Hz data.

V – seals on both the drive end and non drive end.

Class F insulation system with Class B temperature rise or lower.

High efficiency design utilizes low-loss steel laminations for optimum power and performance.

Removable feet.

Pump Motors

Washguard Motors

Agricultural Duty Motors

HVAC / Fan Motors

Special Voltage Motors

Definite Purpose Motors

Brake Motors

IEC Motors

DC Motors





IEC Motors

AC Metric (IEC) Motors – Three Phase

CAST IRON FRAME

CSA: File number LR62104

UL: File number E57948 for motors produced June 2003 and later



Terminal Boards included.

- 230/460V motors, 132-frame and larger have 12 leads and 9 post terminal boards.
- 230/460V motors, smaller than 132-frame have 9 leads and 6 post terminal boards.
- 575V motors have 3 leads and 6 post terminal boards.

Conduit box with neoprene gaskets. Reposition metric "PG" threaded lead exit by rotating box in 90 degree increments. Motors 132 frame and larger have second lead exit hole for auxiliary box. Box is fixed at F3 location.

Heavy-duty cast iron construction includes frame, endbells and conduit box.

IP55 weatherproof enclosure allows for use in a wide range of applications.

High efficiency design utilizes low-loss steel laminations for optimum power and performance.

D flange (B5) and C face (B14) models available. Field conversion kits also offered.

Non-sparking fan. Small size reduces noise and enhances efficiency.

Drilled and tapped shaft.

Steel fan cover.

Oil seals on both the drive end and non drive end.

Stainless steel "full fact" nameplate with information on motor efficiency and power factor. Stamped with 60 Hz and 50 Hz data

Cast iron mounting feet are precision machined for accurate alignment.

Class F insulation system with Class B temperature rise or lower.

Pump Motors

Washguard Motors

Agricultural Duty Motors

HVAC / Fan Motors

Special Voltage Motors

Definite Purpose Motors

Brake Motors

IEC Motors

DC Motors



IEC Metric Motors

AC Metric (IEC) Motors - B3 Flange - Three Phase - Rigid Base



Three Phase - TEFC - B3 Flange - Rigid Base - IP55

HP/kW	SYN RPM 60 Hz	IEC Frame	Catalog Number	Stock	List Price	Model Number	App. Wgt. (lbs)	Voltage	F. L. Amps @ 230 V	% FL. Eff.	Service Factor	"C" Dim. (Inches)	♥Notes
1/4-0.18	3600	D63	192010.30	D	290	C63T34FZ13	10	230/460	1.0	65.5	1.15	8.35	A, CN
1/4-0.18	3600	D63	192010.00	√	290	C63T34FZ1	10	230/460	0.8	72.0	1.15	8.55	A, CN
1/4-0.18	1800	D63	192011.30	D	302	C63T17FZ7	11	230/460	1.3	52.5	1.15	8.35	A, CN
1/4-0.18	1800	D63	192011.00	√	301	C63T17FZ1	11	230/460	1.1	68.0	1.15	8.55	A, CN
1/4-0.18	1200	D71	192012.30	D	515	C71T11FZ13	12	230/460	1.1	62.4	1.15	9.65	A, CN
1/4-0.18	1200	D71	192012.00	√	515	C71T11FZ1	12	230/460	1.2	64.0	1.15	9.16	A, CN
1/3-0.25	3600	D63	192020.30	D	333	C63T34FZ2	11	230/460	1.1	72.0	1.15	8.55	A, CN
1/3-0.25	3600	D63	192020.00	√	333	C63T34FZ2	11	230/460	1.1	72.0	1.15	8.55	A, CN
1/3-0.25	1800	D71	192021.30	D	353	C71T17FZ13	13	230/460	1.1	62.4	1.15	9.65	A, CN
1/3-0.25	1800	D71	192021.00	√	353	C71T17FZ1	13	230/460	1.4	68.0	1.15	9.46	A, CN
1/3-0.25	1200	D80	192022.30	D	550	C80T11FZ19	17	230/460	1.5	61.3	1.15	11.61	A, CN
1/3-0.25	1200	D80	192022.00	√	550	C80T11FZ1	17	230/460	1.3	70.0	1.15	11.11	A, CN
1/2-0.37	3600	D71	192030.30	D	362	C71T34FZ13	13	230/460	1.7	67.3	1.15	9.46	A, CN
1/2-0.37	3600	D71	192030.00	√	362	C71T34FZ1	13	230/460	1.6	74.0	1.15	9.46	A, CN
1/2-0.37	1800	D71	192031.30	D	367	C71T17FZ14	14	230/460	1.9	71.5	1.15	9.46	A, CN
1/2-0.37	1800	D71	192031.00	√	367	C71T17FZ2	14	230/460	1.8	74.0	1.15	9.46	A, CN
1/2-0.37	1200	D80	192032.30	D	576	C80T11FZ20	19	230/460	2.2	61.8	1.15	11.61	A, CN
1/2-0.37	1200	D80	192032.00	√	576	C80T11FZ2	19	230/460	1.9	72.0	1.15	11.11	A, CN
3/4-0.55	3600	D71	192040.30	D	378	C71T34FZ14	15	230/460	2.3	74.5	1.15	9.65	A, CN
3/4-0.55	3600	D71	192040.00	√	378	C71T34FZ2	15	230/460	2.4	74.0	1.15	9.46	A, CN
3/4-0.55	1800	D80	192041.30	D	399	C80T17FZ13	18	230/460	2.5	73.9	1.15	11.61	A, CN
3/4-0.55	1800	D80	192041.00	√	399	C80T17FZ1	18	230/460	2.5	74.0	1.15	11.11	A, CN
3/4-0.55	1200	D80	192042.30	D	616	C80T11FZ21	22	230/460	3.0	63.0	1.15	11.61	A, CN
3/4-0.55	1200	D80	192042.00	√	616	C80T11FZ3	22	230/460	2.7	72.0	1.15	11.11	A, CN
1-0.75	3600	D80	192264.00	√	428	C80T34FZ48	21	230/460	2.8	77.0	1.15	11.11	A, CN
1-0.75	1800	D80	192241.30	D	495	C80T17FZ2	26	230/460	3.2	85.5	1.15	11.11	A, CN
1-0.75	1800	D80	192241.00	√	495	C80T17FZ54	26	230/460	3.2	85.5	1.15	11.11	A, CN
1-0.75	1200	D90S	192200.30	D	739	C90T11FZ19	33	230/460	3.3	82.5	1.15	13.39	A, CN
1-0.75	1200	D90S	192200.00	√	739	C90T11FZ13	33	230/460	3.2	82.5	1.15	12.83	A, CN
1 1/2-1.1	3600	D80	192060.30	D	475	C80T34FZ14	27	230/460	4.3	77.9	1.15	11.61	A, CN
1 1/2-1.1	3600	D80	192242.30	D	533	C80T34FZ14	27	230/460	4.3	77.9	1.15	11.61	A, CN
1 1/2-1.1	3600	D80	192242.00	√	534	C80T34FZ48	27	230/460	4.0	84.0	1.15	11.11	A, CN
1 1/2-1.1	1800	D90S	192202.30	D	559	C90T17FZ23	37	230/460	3.9	86.5	1.15	13.39	A, CN
1 1/2-1.1	1800	D90S	192202.00	√	558	C90T17FZ13	37	230/460	4.2	88.5	1.15	12.83	A, CN
2-1.5	3600	D90S	192208.30	D	582	C90T34FZ21	33	230/460	5.0	85.5	1.15	13.39	A, CN
2-1.5	3600	D90S	192208.00	√	582	C90T34FZ13	33	230/460	5.0	85.5	1.15	16.34	A, CN
2-1.5	1800	D90L	192205.00	√	602	C90T17FZ16	38	230/460	5.4	87.5	1.15	16.34	A, CN
2-1.5	1200	DF100L	193300.60	√	1,003	C100T11FZ20	82	230/460	6.0	88.5	1.15	16.34	C, CN

Shaded model numbers are cast iron frame

Continued On Next Page

Green items are Premium Efficient

D - Item to be discontinued once inventory is depleted

♥ Note listing on inside back flap
Specifications are subject to change without notice





IEC Metric Motors

AC Metric (IEC) Motors - B3 Flange - Three Phase - Rigid Base

Three Phase - TEFC - B3 Flange - Rigid Base - IP55

HP/kW	SYN RPM 60 Hz	IEC Frame	Catalog Number	Stock	List Price	Model Number	App. Wgt. (lbs)	Voltage	F. L. Amps @ 230 V	% FL. Eff.	Service Factor	"C" Dim. (Inches)	♥Notes
3-2.2	3600	D90L	192209.30	D	839	C90T34FZ22	39	230/460	73	86.5	1.15	13.39	A, CN
3-2.2	3600	D90L	192209.00	√	839	C90T34FZ14	39	230/460	72	86.5	1.15	13.43	A, CN
3-2.2	1800	DF100L	193301.60	√	973	C100T17FZ41	84	230/460	8.0	90.2	1.15	16.34	C, CN
3-2.2	1200	DF112M	193302.60	√	1,411	C112T11FZ21	100	230/460	9.6	89.5	1.15	18.43	C, CN
4-3	3600	DF100L	193303.60	√	1,037	C100T34FZ20	71	230/460	9.2	88.5	1.15	18.43	C, CN
4-3	1800	DF100L	193304.60	√	1,056	C100T17FZ42	84	230/460	10.0	89.5	1.15	16.34	C, CN
4-3	1200	DF132S	193305.60	√	1,710	C132T11FZ58	154	230/460	12.6	89.5	1.15	18.27	C, CN
5 1/2-4	3600	DF112M	193306.60	√	1,332	C112T34FZ24	104	230/460	12.6	89.5	1.15	16.14	C, CN
5 1/2-4	1800	DF112M	193307.60	√	1,284	C112T17FZ21	104	230/460	14.0	89.5	1.15	16.14	C, CN
5 1/2-4	1200	DF132M	193308.60	√	1,976	C132T11FZ59	176	230/460	17.0	89.5	1.15	19.76	C, CN
7 1/2-5.5	3600	DF132S	193309.60	√	1,671	C132T34FZ45	152	230/460	18.0	89.5	1.15	18.27	C, CN
7 1/2-5.5	1800	DF132S	193310.60	√	1,671	C132T17FZ43	150	230/460	18.4	92.4	1.15	18.27	C, CN
7 1/2-5.5	1200	DF132M	193311.60	√	2,376	C132T11FZ60	180	230/460	21.6	91.0	1.15	19.76	C, CN
10-7.5	3600	DF132S	193312.60	√	1,787	C132T34FZ46	163	230/460	24.0	90.2	1.15	18.27	C, CN
10-7.5	1800	DF132M	193313.60	√	1,981	C132T17FZ44	174	230/460	24.0	91.7	1.15	19.76	C, CN
10-7.5	1200	DF160M	193314.60	√	3,081	C160T11FZ39	251	230/460	28.8	92.1	1.15	23.62	C, CN
15-11	3600	DF160M	193315.60	√	2,896	C160T34FZ59	260	230/460	35.0	91.0	1.15	23.62	C, CN
15-11	1800	DF160M	193316.60	√	2,896	C160T17FZ43	264	230/460	36.0	92.4	1.15	23.62	C, CN
15-11	1200	DF160L	193317.60	√	3,956	C160T11FZ40	330	230/460	40.0	91.7	1.15	26.57	C, CN
20-15	3600	DF160M	193318.60	√	3,396	C160T34FZ60	269	230/460	47.0	91.0	1.15	23.62	C, CN
20-15	1800	DF160L	193319.60	√	3,581	C160T17FZ44	311	230/460	50.0	93.0	1.15	25.39	C, CN
20-15	1200	DF180L	193320.60	√	5,545	C180T11FZ20	385	230/460	53.5	92.4	1.15	28.27	C, CN
25-18.5	3600	DF160L	193321.60	√	4,134	C160T34FZ61	319	230/460	58.0	91.7	1.15	25.39	C, CN
25-18.5	1800	DF180M	193322.60	√	4,550	C180T17FZ41	381	230/460	58.5	93.6	1.15	26.77	C, CN
25-18.5	1200	DF200L	193323.60	√	6,956	C200T11FZ39	517	230/460	66.0	93.5	1.15	29.53	C, CN
30-22	3600	DF180M	193324.60	√	4,913	C180T34FZ19	355	230/460	69.0	91.7	1.15	26.77	C, CN
30-22	1800	DF180L	193325.60	√	5,116	C180T17FZ42	427	230/460	70.0	94.1	1.15	28.27	C, CN
30-22	1200	DF200L	193326.60	√	7,879	C200T11FZ40	467	230/460	77.0	93.8	1.15	29.53	C, CN
40-30	3600	DF200L	193327.60	√	6,994	C200T34FZ37	522	230/460	91.0	92.4	1.15	29.53	C, CN
40-30	1800	DF200L	193328.60	√	7,531	C200T17FZ21	531	230/460	95.0	94.1	1.15	29.53	C, CN
40-30	1200	DF225M	193329.60	C/A	11,835	C225T11FZ21	633	230/460	95.0	94.1	1.15	32.95	C, CN
50-37	3600	DF200L	193330.60	√	9,173	C200T34FZ38	546	230/460	112.0	94.1	1.15	29.53	C, CN
50-37	1800	DF225S	193331.60	√	10,445	C225T17FZ21	632	230/460	118.0	94.5	1.15	31.97	C, CN
50-37	1200	DF250M	193332.60	C/A	12,131	C250T11FZ19	1089	230/460	120.0	94.1	1.15	36.42	C, CN
60-45	3600	225M	193416.60	√	9,455	C225T34FZ1A	756	230/460	136	93.6	1.15	32.95	C, CN
60-45	1800	225M	193417.60	√	10,593	C225T17FZ5A	758	230/460	140	95.0	1.15	32.95	C, CN
60-45	1200	280S	193418.60	√	12,667	C280T11FZ1A	1213	230/460	146	94.5	1.15	38.39	C, CN
75-55	3600	250M	193419.60	√	10,763	C250T34FZ1A	988	230/460	170	93.6	1.15	36.46	C, CN
75-55	1800	250M	193420.60	√	11,131	C250T17FZ2A	1076	230/460	174	95.4	1.15	36.46	C, CN
75-55	1200	280M	193421.60	√	12,995	C280T11FZ2A	1353	230/460	180	94.5	1.15	40.39	C, CN
100-75	3600	280S	193422.60	√	11,460	C280T34FZ1A	1157	230/460	224	94.1	1.15	38.39	C, CN
100-75	1800	280S	193423.60	√	11,622	C280T17FZ3A	1338	230/460	226	95.4	1.15	38.39	C, CN
100-75	1200	315S	193424.60	√	16,378	C315T11FZ1A	2020	230/460	234	95.0	1.15	48.82	C, CN

Shaded model numbers are cast iron frame

Green items are Premium Efficient

D - Item to be discontinued once inventory is depleted
C/A - Check Availability

♥ Note listing on inside back flap
Specifications are subject to change without notice



Pump Motors
Washguard Motors
Agricultural Duty Motors
HVAC / Fan Motors
Special Voltage Motors
Definite Purpose Motors
Brake Motors
IEC Motors
DC Motors

IEC Metric Motors

AC Metric (IEC) Motors - B3 / B5 Flange - Three Phase - Rigid Base



Three Phase - TEFC - B3 / B5 Flange - Rigid Base - IP55

HP/kW	SYN RPM 60 Hz	IEC Frame	Catalog Number	Stock	List Price	Model Number	App. Wgt. (lbs)	Voltage	F. L. Amps @ 230 V	% FL. Eff.	Service Factor	"C" Dim. (Inches)	♥Notes
1/4-0.18	3600	D63D	192014.30	D	333	C63T34FZ15	10	230/460	1.0	65.5	1.15	8.35	A, CN
1/4-0.18	3600	D63D	192014.00	√	333	C63T34FZ5	10	230/460	0.8	72.0	1.15	8.54	A, CN
1/4-0.18	1800	D63D	192015.00	√	345	C63T17FZ3	11	230/460	1.0	68.0	1.15	8.54	A, CN
1/4-0.18	1200	D71D	192016.30	D	589	C71T11FZ14	12	230/460	1.1	62.4	1.15	9.65	A, CN
1/4-0.18	1200	D71D	192016.00	√	589	C71T11FZ3	12	230/460	1.2	64.0	1.15	9.45	A, CN
1/3-0.25	3600	D63D	192024.30	D	384	C63T34FZ16	11	230/460	1.3	67.9	1.15	8.35	A, CN
1/3-0.25	3600	D63D	192024.00	√	384	C63T34FZ6	11	230/460	1.1	72.0	1.15	8.54	A, CN
1/3-0.25	1800	D71D	192025.30	D	397	C71T17FZ15	13	230/460	1.4	65.6	1.15	9.65	A, CN
1/3-0.25	1800	D71D	192025.00	√	397	C71T17FZ5	13	230/460	1.4	68.0	1.15	9.45	A, CN
1/3-0.25	1200	D80D	192026.30	D	636	C80T11FZ22	17	230/460	1.5	70.0	1.15	61.30	A, CN
1/3-0.25	1200	D80D	192026.00	√	636	C80T11FZ7	17	230/460	1.3	70.0	1.15	11.10	A, CN
1/2-0.37	3600	D71D	192034.30	D	396	C71T34FZ15	13	230/460	1.7	67.3	1.15	9.65	A, CN
1/2-0.37	3600	D71D	192034.00	√	396	C71T34FZ5	13	230/460	1.6	74.0	1.15	9.45	A, CN
1/2-0.37	1800	D71D	192035.30	D	409	C71T17FZ16	14	230/460	1.9	71.5	1.15	11.61	A, CN
1/2-0.37	1800	D71D	192035.00	√	409	C71T17FZ6	14	230/460	1.8	74.0	1.15	9.45	A, CN
1/2-0.37	1200	D80D	192036.30	D	657	C80T11FZ23	19	230/460	2.2	61.8	1.15	11.61	A, CN
1/2-0.37	1200	D80D	192036.00	√	657	C80T11FZ8	19	230/460	1.9	72.0	1.15	11.10	A, CN
3/4-0.55	3600	D71D	192044.30	D	417	C71T34FZ16	15	230/460	2.3	74.5	1.15	9.65	A, CN
3/4-0.55	3600	D71D	192044.00	√	417	C71T34FZ6	15	230/460	2.4	74.0	1.15	9.45	A, CN
3/4-0.55	1800	D80D	192045.00	√	444	C80T17FZ5	18	230/460	2.5	74.0	1.15	11.10	A, CN
3/4-0.55	1200	D80D	192046.30	D	699	C80T11FZ24	22	230/460	3.0	63.0	1.15	11.61	A, CN
3/4-0.55	1200	D80D	192046.00	√	699	C80T11FZ9	22	230/460	2.7	72.0	1.15	11.10	A, CN
1-0.75	3600	D80D	192054.30	D	460	C80T34FZ15	21	230/460	3.1	77.0	1.15	11.61	A, CN
1-0.75	3600	D80D	192265.00	√	460	C80T34FZ49	21	230/460	2.8	77.0	1.15	11.10	A, CN
1-0.75	1800	D80D	192244.30	D	542	C80T17FZ50	26	230/460	3.2	85.5	1.15	11.10	A, CN
1-0.75	1800	D80D	192244.00	√	542	C80T17FZ55	26	230/460	3.2	85.5	1.15	11.10	A, CN
1-0.75	1200	D90SD	192201.30	D	846	C90T11FZ20	35	230/460	3.3	82.5	1.15	13.39	A, CN
1-0.75	1200	D90SD	192201.00	√	846	C90T11FZ14	35	230/460	3.2	82.5	1.15	12.83	A, CN
1 1/2-1.1	3600	D80D	192064.30	D	522	C80T34FZ16	30	230/460	4.3	77.9	1.15	11.61	A, CN
1 1/2-1.1	3600	D80D	192245.30	D	587	C80T34FZ43	30	230/460	4.2	84.0	1.15	12.83	A, CN
1 1/2-1.1	3600	D80D	192245.00	√	587	C80T34FZ49	30	230/460	4.2	84.0	1.15	12.83	A, CN
1 1/2-1.1	1800	D90SD	192203.30	D	613	C90T17FZ25	37	230/460	3.9	86.5	1.15	13.39	A, CN
1 1/2-1.1	1800	D90SD	192203.00	√	613	C90T17FZ14	37	230/460	5.0	88.5	1.15	12.83	A, CN
2-1.5	3600	D90SD	192210.30	D	669	C90T34FZ23	33	230/460	5.0	85.5	1.15	13.39	A, CN
2-1.5	3600	D90SD	192210.00	√	669	C90T34FZ15	33	230/460	5.0	85.5	1.15	12.83	A, CN
2-1.5	1800	D90LD	192206.00	√	687	C90T17FZ17	38	230/460	5.4	87.5	1.15	12.83	A, CN
2-1.5	1200	DF100LD	193333.60	√	1,153	C100T11FZ21	82	230/460	6.0	88.5	1.15	16.34	C, CN
3-2.2	3600	D90LD	192211.30	D	945	C90T34FZ24	39	230/460	7.3	86.5	1.15	13.39	A, CN
3-2.2	3600	D90LD	192211.00	√	945	C90T34FZ16	39	230/460	7.2	87.5	1.15	12.83	A, CN
3-2.2	1800	DF100LD	193334.60	√	1,119	C100T17FZ43	84	230/460	8.0	89.5	1.15	16.34	C, CN
3-2.2	1200	DF112MD	193335.60	√	1,578	C112T11FZ22	100	230/460	9.6	89.5	1.15	16.14	C, CN

Shaded model numbers are cast iron frame

Continued On Next Page

Green items are Premium Efficient

D - Item to be discontinued once inventory is depleted

♥ Note listing on inside back flap
Specifications are subject to change without notice





IEC Metric Motors

AC Metric (IEC) Motors - B3 / B5 Flange - Three Phase - Rigid Base

Pump Motors
Washguard Motors
Agricultural Duty Motors
HVAC / Fan Motors
Special Voltage Motors
Definite Purpose Motors
Brake Motors
IEC Motors
DC Motors

Three Phase - TEFC - B3 / B5 Flange - Rigid Base - IP55

HP/kW	SYN RPM 60 Hz	IEC Frame	Catalog Number	Stock	List Price	Model Number	App. Wgt. (lbs)	Voltage	F. L. Amps @ 230 V	% F.L. Eff.	Service Factor	"C" Dim. (Inches)	♥Notes
4-3	3600	DF100LD	193336.60	√	1,185	C100T34FZ21	71	230/460	9.2	88.5	1.15	16.34	C, CN
4-3	1800	DF100LD	193337.60	√	1,203	C100T17FZ44	84	230/460	10.0	89.5	1.15	16.34	C, CN
4-3	1200	DF132SD	193338.60	√	1,930	C132T11FZ61	154	230/460	12.4	89.5	1.15	18.27	C, CN
5 1/2-4	3600	DF112MD	193339.60	√	1,492	C112T34FZ25	104	230/460	12.6	88.5	1.15	16.14	C, CN
5 1/2-4	1800	DF112MD	193340.60	√	1,445	C112T17FZ22	104	230/460	14.0	89.5	1.15	16.14	C, CN
5 1/2-4	1200	DF132MD	193341.60	√	2,198	C132T11FZ62	176	230/460	17.0	89.5	1.15	19.76	C, CN
7 1/2-5.5	3600	DF132SD	193342.60	√	1,884	C132T34FZ47	152	230/460	18.0	89.5	1.15	18.27	C, CN
7 1/2-5.5	1800	DF132SD	193343.60	√	1,884	C132T17FZ45	150	230/460	18.4	91.7	1.15	18.27	C, CN
7 1/2-5.5	1200	DF132MD	193344.60	√	2,600	C132T11FZ63	180	230/460	21.6	91.0	1.15	19.76	C, CN
10-7.5	3600	DF132SD	193345.60	√	2,012	C132T34FZ48	163	230/460	24.0	90.2	1.15	19.76	C, CN
10-7.5	1800	DF132MD	193346.60	√	2,205	C132T17FZ46	174	230/460	24.0	91.7	1.15	19.76	C, CN
10-7.5	1200	DF160MD	193347.60	√	3,503	C160T11FZ41	251	230/460	28.8	91.0	1.15	23.62	C, CN
15-11	3600	DF160MD	193348.60	√	3,319	C160T34FZ62	260	230/460	35.0	91.0	1.15	23.62	C, CN
15-11	1800	DF160MD	193349.60	√	3,319	C160T17FZ45	264	230/460	37.0	92.4	1.15	23.62	C, CN
15-11	1200	DF160LD	193350.60	√	4,378	C160T11FZ42	330	230/460	40.0	91.7	1.15	26.57	C, CN
20-15	3600	DF160MD	193351.60	√	3,579	C160T34FZ63	269	230/460	47.0	91.0	1.15	23.62	C, CN
20-15	1800	DF160LD	193352.60	√	3,774	C160L17FZ46	311	230/460	50.0	93.0	1.15	25.39	C, CN
20-15	1200	DF180LD	193353.60	√	5,741	C180T11FZ21	385	230/460	53.5	91.7	1.15	28.27	C, CN
25-18.5	3600	DF160LD	193354.60	√	4,303	C160T34FZ64	319	230/460	58.0	91.7	1.15	25.39	C, CN
25-18.5	1800	DF180MD	193355.60	√	4,804	C180T17FZ43	381	230/460	58.5	93.6	1.15	26.77	C, CN
30-22	3600	DF180MD	193356.60	√	5,143	C180T34FZ20	355	230/460	69.0	93.0	1.15	26.77	C, CN
30-22	1800	DF180LD	193357.60	√	5,336	C180T17FZ44	427	230/460	70.0	94.1	1.15	28.27	C, CN

Shaded model numbers are cast iron frame

♥ Note listing on inside back flap
Specifications are subject to change without notice

Green items are Premium Efficient

Note: Aluminum motors have removable feet for round-body applications.
Larger HP B3 Foot-Mounted metric motors on page 287 can be converted to B3/B5 Flange-Mount by installing B5 Flange Kits



IEC Metric Motors

AC Metric (IEC) Motors - B3 / B14 Flange - Three Phase - Rigid Base



Three Phase - TEFC - B3 / B14 Flange - Rigid Base - IP55

HP/kW	SYN RPM 60 Hz	IEC Frame	Catalog Number	Stock	List Price	Model Number	App. Wgt. (lbs)	Voltage	F. L. Amps @ 230 V	% FL. Eff.	Service Factor	"C" Dim. (Inches)	♥Notes
1/4-0.18	3600	D63C	192017.30	D	326	C63T34FZ17	10	230/460	1.0	65.5	1.15	8.35	A, CN
1/4-0.18	3600	D63C	192017.00	√	326	C63T34FZ3	10	230/460	0.8	72.0	1.15	8.55	A, CN
1/4-0.18	1800	D63C	192018.30	D	339	C63T17FZ9	11	230/460	1.3	52.5	1.15	8.35	A, CN
1/4-0.18	1800	D63C	192018.00	√	338	C63T17FZ2	11	230/460	1.0	68.0	1.15	8.55	A, CN
1/4-0.18	1800	D63C	192018.30	D	339	C63T17FZ9	11	230/460	1.3	52.5	1.15	8.35	A, CN
1/4-0.18	1200	D71C	192019.00	√	589	C71T11FZ2	12	230/460	1.2	64.0	1.15	9.46	A, CN
1/3-0.25	3600	D63C	192027.30	D	381	C63T34FZ16	11	230/460	1.3	67.9	1.15	9.65	A, CN
1/3-0.25	3600	D63C	192027.00	√	381	C63T34FZ4	11	230/460	1.1	72.0	1.15	8.55	A, CN
1/3-0.25	1800	D71C	192028.30	D	385	C71T17FZ17	13	230/460	1.4	65.6	1.15	9.65	A, CN
1/3-0.25	1800	D71C	192028.00	√	386	C71T17FZ3	13	230/460	1.4	68.0	1.15	9.46	A, CN
1/3-0.25	1200	D80C	192029.30	D	636	C80T11FZ25	17	230/460	1.5	61.3	1.15	11.61	A, CN
1/3-0.25	1200	D80C	192029.00	√	636	C80T11FZ4	17	230/460	1.3	70.0	1.15	11.11	A, CN
1/2-0.37	3600	D71C	192037.00	√	387	C71T34FZ3	13	230/460	1.6	74.0	1.15	9.46	A, CN
1/2-0.37	1800	D71C	192038.00	√	402	C71T17FZ4	14	230/460	1.8	74.0	1.15	9.46	A, CN
1/2-0.37	1200	D80C	192039.30	D	657	C80T11FZ26	19	230/460	2.2	61.8	1.15	11.61	A, CN
1/2-0.37	1200	D80C	192039.00	√	657	C80T11FZ5	19	230/460	1.9	72.0	1.15	11.11	A, CN
3/4-0.55	3600	D71C	192047.30	D	409	C71T34FZ18	15	230/460	2.3	74.5	1.15	9.65	A, CN
3/4-0.55	3600	D71C	192047.00	√	409	C71T34FZ4	15	230/460	2.4	74.0	1.15	9.46	A, CN
3/4-0.55	1800	D80C	192048.00	√	439	C80T17FZ3	18	230/460	2.5	74.0	1.15	11.11	A, CN
3/4-0.55	1200	D80C	192049.30	D	699	C80T11FZ27	22	230/460	3.0	63.0	1.15	11.61	A, CN
3/4-0.55	1200	D80C	192049.00	√	699	C80T11FZ6	22	230/460	2.7	72.0	1.15	11.11	A, CN
1-0.75	3600	D80C	192266.00	√	448	C80T34FZ50	21	230/460	2.8	77.0	1.15	11.11	A, CN
1-0.75	1800	D80C	192247.30	D	529	C80T17FZ51	26	230/460	3.2	85.5	1.15	11.11	A, CN
1-0.75	1800	D80C	192247.00	√	528	C80T17FZ56	26	230/460	3.2	85.5	1.15	11.11	A, CN
1-0.75	1200	D90SC	192212.30	D	846	C80T11FZ21	35	230/460	3.3	82.5	1.15	13.39	A, CN
1-0.75	1200	D90SC	192212.00	√	846	C80T11FZ15	35	230/460	3.2	82.5	1.15	12.83	A, CN
1 1/2-1.1	3600	D80C	192067.00	D	512	C80T34FZ4	27	230/460	4.0	84.0	1.15	11.11	A, CN
1 1/2-1.1	3600	D80C	192248.30	D	576	C80T34FZ18	27	230/460	4.3	84.0	1.15	11.61	A, CN
1 1/2-1.1	3600	D80C	192248.00	√	576	C80T34FZ18	27	230/460	4.3	84.0	1.15	11.61	A, CN
1 1/2-1.1	1800	D90SC	192204.00	√	601	C90T17FZ15	37	230/460	4.2	86.5	1.15	12.61	A, CN
2-1.5	3600	D90SC	192213.30	D	653	C90T34FZ25	33	230/460	5.0	85.5	1.15	13.39	A, CN
2-1.5	3600	D90SC	192213.00	√	653	C90T34FZ17	33	230/460	5.0	85.5	1.15	12.61	A, CN
2-1.5	1800	D90LC	192207.30	D	669	C90T17FZ28	38	230/460	5.3	86.6	1.15	13.39	A, CN
2-1.5	1800	D90LC	192207.00	√	669	C90T17FZ18	38	230/460	5.4	87.5	1.15	12.61	A, CN

Green items are Premium Efficient

Continued On Next Page

D - Item to be discontinued once inventory is depleted

♥ Note listing on inside back flap Specifications are subject to change without notice





Three Phase - TEFC - B3 / B14 Flange - Rigid Base - IP55

HP/kW	SYN RPM 60 Hz	IEC Frame	Catalog Number	Stock	List Price	Model Number	App. Wgt. (lbs)	Voltage	F. L. Amps @ 230 V	% FL. Eff.	Service Factor	"C" Dim. (Inches)	♥Notes
3-2.2	3600	D90LC	192214.00	√	945	C90T34FZ18	39	230/460	72	87.5	1.15	12.61	A, CN
3-2.2	1800	DF100LC	193359.60	√	1,119	C100T17FZ45	84	230/460	8.0	90.2	1.15	16.34	C, CN
3-2.2	1200	DF112MC	193360.60	√	1,578	C112T11FZ23	84	230/460	9.6	89.5	1.15	18.43	C, CN
4-3	3600	DF100LC	193361.60	√	1,185	C100T34FZ22	71	230/460	9.2	88.5	1.15	16.34	C, CN
4-3	1800	DF100LC	193362.60	√	1,203	C100T17FZ46	84	230/460	10.0	89.5	1.15	16.34	C, CN
4-3	1200	DF132SC	193363.60	√	1,930	C132T11FZ64	154	230/460	12.4	89.5	1.15	18.27	C, CN
5 1/2-4	3600	DF112MC	193364.60	√	1,492	C112T34FZ26	104	230/460	12.6	88.5	1.15	16.34	C, CN
5 1/2-4	1800	DF112MC	193365.60	√	1,445	C112T17FZ23	104	230/460	14.0	89.5	1.15	16.34	C, CN
5 1/2-4	1200	DF132MC	193366.60	√	2,198	C132T11FZ65	176	230/460	17.0	89.5	1.15	19.76	C, CN
7 1/2-5.5	3600	DF132SC	193367.60	√	1,884	C132T34FZ49	152	230/460	18.0	89.5	1.15	18.27	C, CN
7 1/2-5.5	1800	DF132SC	193368.60	√	1,884	C132T17FZ47	150	230/460	18.4	91.7	1.15	18.27	C, CN
7 1/2-5.5	1200	DF132MC	193369.60	√	2,600	C132T11FZ66	180	230/460	21.6	91.0	1.15	19.76	C, CN
10-7.5	3600	DF132SC	193370.60	√	2,012	C132T34FZ50	163	230/460	24.0	90.2	1.15	19.76	C, CN
10-7.5	1800	DF132MC	193371.60	√	2,205	C132T17FZ48	174	230/460	24.0	91.7	1.15	19.76	C, CN
10-7.5	1200	DF160MC	193372.60	√	3,503	C160T11FZ43	251	230/460	28.8	92.1	1.15	23.62	C, CN
15-11	3600	DF160MC	193373.60	√	3,319	C160T34FZ65	260	230/460	35.0	91.0	1.15	23.62	C, CN
15-11	1800	DF160MC	193374.60	√	3,319	C160T17FZ47	264	230/460	37.0	92.4	1.15	23.62	C, CN
15-11	1200	DF160LC	193375.60	√	4,378	C160T11FZ44	330	230/460	40.0	91.7	1.15	26.57	C, CN
20-15	3600	DF160MC	193376.60	√	3,794	C160T34FZ66	269	230/460	47.0	91.0	1.15	23.62	C, CN
20-15	1800	DF160LC	193377.60	√	4,001	C160T17FZ48	311	230/460	50.0	93.0	1.15	25.39	C, CN
25-18.5	3600	DF160LC	193378.60	√	4,560	C160T34FZ67	319	230/460	58.0	91.7	1.15	25.39	C, CN

Shaded model numbers are cast iron frame

Continued On Next Page

Green items are Premium Efficient

Note: Aluminum motors have removable feet for round-body applications.
Larger HP B3 Foot-Mounted metric motors on page 287 can be converted to B3/B5 Flange-Mount by installing B5 Flange Kits

♥ Note listing on inside back flap
Specifications are subject to change without notice



Pump Motors
Washguard Motors
Agricultural Duty Motors
HVAC / Fan Motors
Special Voltage Motors
Definite Purpose Motors
Brake Motors
IEC Motors
DC Motors

IEC Metric Motors

575 Volt Metric Motors

AC Metric (IEC) Motors - B3 Flange - Three Phase - Rigid Base



Three Phase - TEFC - B3 Flange - Rigid Base - IP55

HP/kW	SYN RPM 60 Hz	IEC Frame	Catalog Number	Stock	List Price	Model Number	App. Wgt. (lbs)	Voltage	F. L. Amps @ 575 V	% FL. Eff.	Service Factor	"C" Dim. (Inches)	♥Notes
1/4-0.18	3600	D63	192088.30	D	290	C63T34FZ19	10	575	0.4	65.5	1.15	8.35	A, CN
1/4-0.18	3600	D63	192088.00	√	290	C63T34FZ7	10	575	0.3	72.0	1.15	8.54	A, CN
1/4-0.18	1800	D63	192089.30	D	302	C63T17FZ10	11	575	0.5	52.5	1.15	8.35	A, CN
1/4-0.18	1800	D63	192089.00	√	302	C63T17FZ4	11	575	0.4	68.0	1.15	8.54	A, CN
1/3-0.25	3600	D63	192097.00	√	338	C63T34FZ10	11	575	0.4	74.0	1.15	8.54	A, CN
1/3-0.25	1800	D71	192098.30	D	353	C71T17FZ19	13	575	0.6	65.6	1.15	9.65	A, CN
1/3-0.25	1800	D71	192098.00	√	353	C71T17FZ7	13	575	0.6	67.0	1.15	9.45	A, CN
1/2-0.37	3600	D71	192106.00	√	362	C71T34FZ7	13	575	0.7	74.0	1.15	9.45	A, CN
1/2-0.37	1800	D71	192107.30	D	367	C71T17FZ20	14	575	0.8	71.5	1.15	9.65	A, CN
1/2-0.37	1800	D71	192107.00	√	367	C71T17FZ10	14	575	0.7	74.0	1.15	9.45	A, CN
3/4-0.56	3600	D71	192115.00	√	378	C71T34FZ10	15	575	0.9	74.0	1.15	9.45	A, CN
3/4-0.56	1800	D80	192116.30	D	399	C80T17FZ19	18	575	0.9	73.9	1.15	11.61	A, CN
3/4-0.56	1800	D80	192116.00	√	399	C80T17FZ7	18	575	1.0	73.0	1.15	11.10	A, CN
1-0.75	3600	D80	192124.30	D	428	C80T34FZ19	21	575	1.3	77.0	1.15	11.61	A, CN
1-0.75	3600	D80	192267.00	√	428	C80T34FZ7	21	575	1.1	77.0	1.15	11.10	A, CN
1-0.75	1800	D80	192125.30	D	438	C80T17FZ20	26	575	1.3	73.6	1.15	11.61	A, CN
1-0.75	1800	D80	192250.00	√	495	C80T17FZ57	26	575	1.4	85.5	1.15	11.10	A, CN
1 1/2-1.1	3600	D80	192133.30	D	475	C80T34FZ20	27	575	1.7	77.9	1.15	11.61	A, CN
1 1/2-1.1	3600	D80	192251.30	D	533	C80T34FZ47	27	575	1.6	82.5	1.15	11.10	A, CN
1 1/2-1.1	3600	D80	192251.00	√	534	C80T34FZ51	27	575	1.6	82.5	1.15	11.10	A, CN
1 1/2-1.1	1800	D90S	192230.30	D	485	C90T17FZ30	37	575	1.8	86.5	1.15	12.83	A, CN
1 1/2-1.1	1800	D90S	192230.00	√	485	C90T17FZ19	37	575	1.8	86.5	1.15	12.83	A, CN
2-1.5	3600	D90S	192231.30	D	507	C90T34FZ27	33	575	2.2	86.5	1.15	12.83	A, CN
2-1.5	3600	D90S	192231.00	√	507	C90T34FZ19	33	575	2.2	86.5	1.15	12.83	A, CN
2-1.5	1800	D90L	192232.30	D	522	C90T17FZ29	38	575	2.3	85.5	1.15	12.83	A, CN
2-1.5	1800	D90L	192232.00	√	522	C90T17FZ20	38	575	2.3	85.5	1.15	12.83	A, CN
3-2.2	3600	D90L	192233.30	D	727	C90T34FZ28	39	575	3.0	86.5	1.15	13.43	A, CN
3-2.2	3600	D90L	192233.00	√	728	C90T34FZ20	39	575	3.0	86.5	1.15	13.43	A, CN
3-2.2	1800	DF100L	193379.60	√	973	C100T17FZ47	84	575	3.2	89.5	1.15	16.34	C, CN
4-3	3600	DF100L	193380.60	√	1,037	C100T34FZ23	71	575	3.1	88.5	1.15	16.34	C, CN
4-3	1800	DF100L	193381.60	√	1,056	C100T17FZ48	84	575	4.0	89.5	1.15	16.34	C, CN
5 1/2-4	3600	DF112M	193382.60	√	1,332	C112T34FZ27	104	575	5.1	88.5	1.15	16.14	C, CN
5 1/2-4	1800	DF112M	193383.60	√	1,284	C112T17FZ24	104	575	5.6	89.5	1.15	16.14	C, CN
7 1/2-5.5	3600	DF132S	193384.60	√	1,671	C132T34FZ51	152	575	7.0	89.5	1.15	18.27	C, CN
7 1/2-5.5	1800	DF132S	193385.60	√	1,671	C132T17FZ49	150	575	7.9	91.7	1.15	18.27	C, CN
10-7.5	3600	DF132S	193386.60	√	1,787	C132T34FZ52	163	575	9.6	90.2	1.15	18.27	C, CN
10-7.5	1800	DF132M	193387.60	√	1,981	C132T17FZ50	174	575	9.6	91.7	1.15	19.76	C, CN

Shaded model numbers are cast iron frame

Continued On Next Page

Green items are Premium Efficient

♥ Note listing on inside back flap

D - Item to be discontinued once inventory is depleted

Specifications are subject to change without notice





IEC Metric Motors

575 Volt Metric Motors

AC Metric (IEC) Motors - B3 Flange - Three Phase - Rigid Base

Three Phase - TEFC - B3 Flange - Rigid Base - IP55

HP/kW	SYN RPM 60 Hz	IEC Frame	Catalog Number	Stock	List Price	Model Number	App. Wgt. (lbs)	Voltage	F. L. Amps @ 230 V	% FL. Eff.	Service Factor	"C" Dim. (Inches)	♥Notes
15-11	3600	DF160M	193388.60	√	2,896	C160T34FZ68	260	575	14.0	91.0	1.2	23.62	C, CN
15-11	1800	DF160M	193389.60	√	2,896	C160T17FZ49	264	575	14.5	92.4	1.15	23.62	C, CN
20-15	3600	DF160M	193390.60	√	3,396	C160T34FZ69	269	575	18.4	91.0	1.15	23.62	C, CN
20-15	1800	DF160L	193391.60	√	3,581	C160T17FZ50	311	575	20.0	93.0	1.15	25.39	C, CN
25-18.5	3600	DF160L	193392.60	√	4,134	C160T34FZ70	319	575	23.2	91.7	1.15	25.39	C, CN
25.85	1800	DF180M	193393.60	√	4,550	C180T17FZ45	381	575	23.0	93.6	1.15	26.77	C, CN
30-22	3600	DF180M	193394.60	√	4,913	C180T34FZ21	355	575	27.4	91.7	1.15	26.77	C, CN
30-22	1800	DF180L	193395.60	√	5,116	C180T17FZ46	427	575	28.0	93.6	1.15	28.27	C, CN
40-30	3600	DF200L	193396.60	√	6,994	C200T34FZ39	522	575	28.4	92.4	1.15	29.53	C, CN
40-30	1800	DF200L	193397.60	√	7,531	C200T17FZ22	531	575	38.0	94.7	1.15	29.53	C, CN
50-37	3600	DF200L	193398.60	C/A	9,173	C200T34FZ40	546	575	45.0	93.0	1.15	29.53	C, CN
50-37	1800	DF225S	193399.60	C/A	10,445	C225T17FZ22	632	575	47.5	94.5	1.15	31.97	C, CN

Shaded model numbers are cast iron frame

♥ Note listing on inside back flap

Specifications are subject to change without notice

Green items are Premium Efficient

C/A - Check Availability

Pump Motors

Washguard Motors

Agricultural Duty Motors

HVAC / Fan Motors

Special Voltage Motors

Definite Purpose Motors

Brake Motors

IEC Motors

DC Motors



IEC Metric Motors

Metric Motor Kits - B5 & B14 Flanges

Specifications:

- Includes parts to convert B3 rigid motors to either a B5 or B14 flange



Flange Kits - IEC Motors

IEC Frame	RPM	B5 Flange Kit	List Price	B14 Flange Kit	List Price
63	3600	175850.00	78	175851.00	70
63	3600	175850.30	78	175851.30	70
63	1800	175850.00	78	175851.00	70
63	1800	175850.30	78	175851.30	70
63	1200	175850.00	78	175851.00	70
63	1200	175850.30	78	175851.30	70
71	3600	175852.00	93	175853.00	75
71	3600	175852.30	93	175853.30	75
71	1800	175852.00	93	175853.00	75
71	1800	175852.30	93	175853.30	75
71	1200	175852.00	93	175853.00	75
71	1200	175852.30	93	175853.30	75
80	3600	175854.00	103	175855.00	86
80	3600	175854.30	103	175855.30	86
80	1800	175854.00	103	175855.00	86
80	1800	175854.30	103	175855.30	86
80	1200	175854.00	103	175855.00	86
80	1200	175854.30	103	175855.30	86
90	3600	175856.00	106	175857.00	95
90	3600	175856.30	106	175857.30	95
90	1800	175856.00	106	175857.00	95
90	1800	175856.30	106	175857.30	95
90	1200	175856.00	106	175857.00	95
90	1200	175856.30	106	175857.30	95
100	3600	175810.60	151	175817.60	133
100	1800	175810.60	151	175817.60	133
100	1200	175810.60	151	175817.60	133
112	3600	175811.60	160	175818.60	146
112	3600	175827.60Δ	160	175832.60Δ	146
112	1800	175811.60	160	175818.60	146
112	1800	175827.60Δ	160	175832.60Δ	146
112	1200	175810.60	151	175817.60	133
132	3600	175812.60	214	175819.60	195
132	3600	175828.60Δ	214	175833.60Δ	195
132	1800	175812.60	214	175819.60	195
132	1200	175812.60	214	175819.60	195
160	3600	175990.60	376	175991.60	374
160	3600	175829.60Δ	402	175834.60Δ	374
160	1800	175990.60	376	175991.60	374
160	1200	175990.60	376	175991.60	374
180	3600	175890.60	469		
180	3600	175830.60Δ	469		
180	1800	175890.60	469		
180	1200	175890.60	469		
200	3600	175994.60	651		
200	3600	175831.60Δ	651		
200	1800	175994.60	651		
200	1200	175994.60	651		
225	3600	175837.60	834		
225	1800	175995.60	834		
225	1200	175995.60	834		
250	3600	175777.60	834		

Note: ".30" Kit Numbers to be used with the .30 Series IEC AL frame motors

Δ For IEC motors built after June 2011
Specifications are subject to change without notice

Specifications:

Used to convert a metric motor to have a reduced B14 flange mount. Example, you can change an 80 frame IEC motor to have a 71 frame B14 flange. Comes complete with necessary hardware and oil seals for easy field mounting.



IEC Motor Frame	B14 Flange Frame	Catalog Number	List Price
63	56	175900.00	66
71	63	175901.00	73
80	71	175902.00	83
90	80	175903.00	86

Used to convert "00" design motors only
No reduced diameter kits for "30" series IEC motors

IEC Brakemotors

These motors meet North American performance standards and Premium energy efficiency mandates and have a 1.15 service factor. Typically used for replacement on machine tools, textile tools, textile machinery and other equipment with metric dimensions but requiring the high torque and performance of motors designed for use in North America.



AC Metric - Three Phase

Features:

- Cast iron frame construction
- 60/50 Hz interchangeability
- 230 volt brake coil
- IP55 enclosure protection
- B3 mounting
- B5 & B14 flange kits available
- 3-year warranty on premium efficiency models
- UL listed and CSA certified



AC Metric - Three Phase - TEFC - B3 Mounting - Rigid Base

HP/ kW	SYN RPM 60 Hz	NEMA Frame	Brake Rating (ft-lbs)	Catalog Number	Stock	List Price	Model Number	App. Wgt. (lbs)	Voltage	F. L. Amps @ 230 V	% FL. Eff.	Service Factor	"C" Dim. (Inches)	♥Notes
1-0.75	1800	80M	6	194222.00	✓	1,226	C80T17FZ47A	52	230/460	3.00	83.5%	1.15	13.19	C, CN
1 1/2-1.1	1800	90S	12	194223.00	✓	1,398	C90T17FZ31A	81	230/460	4.22	86.5%	1.15	15.48	C, CN
2-1.5	1800	90L	12	194224.00	✓	1,471	C90T17FZ32A	81	230/460	5.62	86.5%	1.15	15.48	C, CN
3-2.2	1800	100L	24	194225.00	✓	1,775	C100T17FZ49A	110	230/460	7.84	89.5%	1.15	18.13	C, CN
4-3	1800	112M	44	194226.00	✓	1,863	C112T17FZ30A	130	230/460	10.50	89.5%	1.15	19.08	C, CN
5 1/2-4	1800	112M	74	194227.00	✓	2,164	C112T17FZ31A	136	230/460	14.00	89.5%	1.15	19.08	C, CN

Green items are Premium Efficient

♥ Note listing on inside back flap
Specifications are subject to change without notice

IEC Frame	B5 Flange Kit	List Price	B14 Flange Kit	List Price
80M	176177.00	103	176181.00	86
90S	176178.00	106	176182.00	95
90L	176178.00	106	176182.00	95
100L	176179.00	151	176183.00	133
112M	176180.00	160	176184.00	146
112M	176180.00	160	176184.00	146



IEC Metric Motors

IEC Washguard® All-Stainless AC Motors



IEC B5 Flange - Round Body

IEC B5 Flange - Round Body - Three Phase - TENV/TEFC

HP/kW	SYN RPM 60 Hz	IEC Frame	Catalog Number	Stock	List Price	Model Number	App. Wgt. (lbs)	Voltage	F. L. Amps @ 230 V	% FL. Eff.	Service Factor	"C" Dim. (Inches)	♥Notes
1/3-0.25	1800	71	103403.00	√	1,455	CZ4T17VZ16	30	208-230/460	1.3	70.5	1.15	9.87	S, US, 12
1/3-0.25	1800	80	103405.00	√	1,455	CZ4T17VZ17	30	208-230/460	1.3	70.5	1.15	9.87	S, US, 12
1/2-0.37	1800	71	103404.00	√	1,504	CZ4T17VZ6	32	208-230/460	1.6	76.0	1.15	11.62	S, US, 12
1/2-0.37	1800	80	103406.00	√	1,504	CZ4T17VZ7	32	208-230/460	1.6	76.0	1.15	11.62	S, US, 12
3/4-0.55	1800	80	103407.00	√	1,595	CZ4T17WZ9	38	208-230/460	2.3	77.0	1.15	12.26	S, US, 13
1-0.75	1800	90	119507.00	√	1,855	CZ6T17WC55	47	208-230/460	3.2	85.5	1.15	12.59	S, US, 13
1.5 - 1.1	1800	90	119508.00	√	1,942	CZ6T17WC60	52	208-230/460	4.8	86.5	1.15	13.09	S, US, 13
2 - 1.5	1800	90	119509.00	√	2,117	CZ6T17WC59	49	208-230/460	5.8	86.5	1.15	13.84	S, US, 13

Green items are Premium Efficient

Note 12 - TENV
Note 13 - TEFC

♥ Note listing on inside back flap
Specifications are subject to change without notice

IEC B14 Flange - Round Body

IEC B14 Flange - Round Body - Three Phase - Totally Enclosed

HP/kW	SYN RPM 60 Hz	IEC Frame	Catalog Number	Stock	List Price	Model Number	App. Wgt. (lbs)	Voltage	F. L. Amps @ 230 V	% FL. Eff.	Service Factor	"C" Dim. (Inches)	♥Notes
1/3-0.25	1800	71	103395.00	√	1,455	CZ4T17VZ13	30	208-230/460	1.3	70.5	1.15	9.83	S, US, 12
1/3-0.25	1800	80	103397.00	√	1,455	CZ4T17VZ14	30	208-230/460	1.3	70.5	1.15	9.72	S, US, 12
1/2-0.37	1800	71	103396.00	√	1,504	CZ4T17VZ3	32	208-230/460	1.6	76.0	1.15	11.58	S, US, 12
1/2-0.37	1800	80	103398.00	√	1,504	CZ4T17VZ4	32	208-230/460	1.6	76.0	1.15	11.58	S, US, 12
3/4-0.55	1800	80	103399.00	√	1,595	CZ4T17WZ7	38	208-230/460	2.3	77.0	1.15	12.48	S, US, 13

Note 12 - TENV
Note 13 - TEFC

♥ Note listing on inside back flap
Specifications are subject to change without notice

IEC B5 Flange - Rigid Base

IEC B3/ B5 Flange - Rigid Base - Three Phase - Totally Enclosed

HP/kW	SYN RPM 60 Hz	IEC Frame	Catalog Number	Stock	List Price	Model Number	App. Wgt. (lbs)	Voltage	F. L. Amps @ 230 V	% FL. Eff.	Service Factor	"C" Dim. (Inches)	♥Notes
1/3-0.25	1800	80	103408.00	√	1,480	CZ4T17VZ18	30	208-230/460	1.3	70.5	1.15	9.50	S, US, 12
1/2-0.37	1800	80	103409.00	√	1,526	CZ4T17VZ8	32	208-230/460	1.6	76.0	1.15	12.75	S, US, 12
3/4-0.55	1800	80	103410.00	√	1,627	CZ4T17WZ10	38	208-230/460	2.3	77.0	1.15	12.26	S, US, 13

Note 12 - TENV
Note 13 - TEFC

♥ Note listing on inside back flap
Specifications are subject to change without notice

IEC B14 Flange - Rigid Base

IEC B3 / B14 Flange - Rigid Base - Three Phase - Totally Enclosed

HP/kW	SYN RPM 60 Hz	IEC Frame	Catalog Number	Stock	List Price	Model Number	App. Wgt. (lbs)	Voltage	F. L. Amps @ 230 V	% FL. Eff.	Service Factor	"C" Dim. (Inches)	♥Notes
1/3-0.25	1800	80	103400.00	√	1,504	CZ4T17VZ15	31	208-230/460	1.3	70.5	1.15	9.72	S, US, 12
1/2-0.37	1800	80	103401.00	√	1,662	CZ4T17VZ5	33	208-230/460	1.6	76.0	1.15	11.58	S, US, 12
3/4-0.55	1800	80	103402.00	√	1,722	CZ4T17WZ8	39	208-230/460	2.3	77.0	1.15	12.48	S, US, 13

Note 12 - TENV
Note 13 - TEFC

♥ Note listing on inside back flap
Specifications are subject to change without notice





IEC Metric Motors

Metric (IEC) Frame PMDC Motors - All-Stainless DC Motors - SCR Rated

IP55 Enclosure Protection

TEFC - SCR Rated 90 & 180V - C Face With Base

HP/kW	Full Load RPM	IEC Frame	Catalog Number	Stock	List Price	Model Number	App. Wgt. (lbs)	Arm. Volts DC	Control Volts AC Input	FL. Amps DC	"C" Dim. (Inches)	♥Notes
1/3 - 0.25	1750	80D	109068.00	√	1,501	4D17VK27	44	180	230	1.9	12.81	S, US, 12
1/2 - 0.37	1750	80D	109071.00	√	1,754	4D17WK11	46	180	230	2.7	13.87	S, US, 13
3/4 - 0.55	1750	80D	109074.00	√	2,136	4D17WK15	48	180	230	3.7	15.37	S, US, 13
1 - 0.75	1750	80D	109077.00	√	2,478	4D17WK18	50	180	230	5.0	16.37	S, US, 13

Base is welded to frame and not removable.
 Note 12 - TENV
 Note 13 - TEFC

♥ Note listing on inside back flap
 Specifications are subject to change without notice

TEFC - SCR Rated 90 & 180V - C Face With Base

HP/kW	Full Load RPM	IEC Frame	Catalog Number	Stock	List Price	Model Number	App. Wgt. (lbs)	Arm. Volts DC	Control Volts AC Input	FL. Amps DC	"C" Dim. (Inches)	♥Notes
1/3 - 0.25	1750	80D	109081.00	√	1,468	4D17VC8	44	180	230	1.9	12.81	S, US, 12
1/2 - 0.37	1750	80D	109084.00	√	1,722	4D17WC4	46	180	230	2.7	13.87	S, US, 13
3/4 - 0.55	1750	80D	109087.00	√	2,103	4D17WC7	48	180	230	3.7	15.37	S, US, 13
1 - 0.75	1750	80D	109090.00	√	2,447	4D17WC10	50	180	230	5.0	16.37	S, US, 13

Note 12 - TENV
 Note 13 - TEFC

♥ Note listing on inside back flap
 Specifications are subject to change without notice

Flange And Face Kits for Stainless Steel DC Metric (IEC) Frame Motors

The modular design concept of LEESON's other metric DC motors has been applied to the all-stainless metric motors. Any flange or face kit can mount on any motor. This allows the greatest flexibility from the smallest inventory of motors.

B5 Flange Kits (For Stainless DC Metric Motors)

IEC Frame	Catalog Number	List Price	App. Wgt. (lbs)	BD Flange Dia. (mm)	AK Register (mm)	BF Hole (mm)	AJ Bolt Circle (mm)
71	175593.00	189	2	160	110	9	130
80	175594.00	228	3	200	130	12	165
90S/90L	175594.00	228	3	200	130	12	165
100L/112M	175595.00	356	5	250	180	15	215

Specifications are subject to change without notice

B14 Flange Kits (For Stainless DC Metric Motors)

IEC Frame	Catalog Number	List Price	App. Wgt. (lbs)	BD Flange Dia. (mm)	AK Register (mm)	BF Hole (mm)	AJ Bolt Circle (mm)
71	175596.00	144	1	105	70	6	85
80	175597.00	144	1	120	80	6	100
90S/90L	175598.00	392	1	140	95	6	115
100L/112M	175599.00	356	2	160	110	6	130

Specifications are subject to change without notice



Pump Motors

Washguard Motors

Agricultural Duty Motors

HVAC / Fan Motors

Special Voltage Motors

Definite Purpose Motors

Brake Motors

IEC Motors

DC Motors

IEC Metric Motors

DC Metric Motors

Metric (IEC) Frame - SCR Rated - IP54



Application Notes:

Please note that one or more of the mounting kits must be used with IEC motors of these frame sizes. See listing on next page for B5 flange and B14 face kits. B3 rigid base kits are listed below.

General Specifications:

- Built to IEC 34-1 electrical and mechanical standards
- IEC 63 and smaller frames supplied with an integral B5 Flange or B14 face
- Optional B3 Rigid base kit available
- IEC 71 frame and larger can be field modified for B3 Rigid Base, B5 Flange, or B14 face construction using conversion kits
- Tachometer mounting kits available for 71 frame only

Features:

- Terminal board provided for connections
- All metric fasteners
- Easy brush access for field service
- Oversize brushes for extended life
- High strength rolled steel frame
- Die cast aluminum endshields with steel bearing inserts
- Permanently lubricated sealed ball bearings
- Reversible rotation
- Simple 2 lead connection
- Convenient wiring access
- Tachometer mounting kits available for 71 frame only



180 Volts - Totally Enclosed - B5 Flange

kW/HP	Full Load RPM	IEC Frame	Catalog Number	Stock	List Price	Model Number	App. Wgt. (lbs)	DC Voltage	Control Volts AC Input	FL. Amps @ 180 VDC	"C" Dim. (Inches)	♥Notes
0.06/1/12	1750	56	M1130146.00	C/A	475	CIM34D18ND1	8	180	230	0.5	6.24	S, US, 12
0.09/1/8	3000	56	M1130150.00	√	475	CIM34D30ND1	9	180	230	0.7	6.74	S, US, 12
0.09/1/8	1750	56	M1130147.00	√	509	CIM34D18ND2	10	180	230	0.7	7.55	S, US, 12
0.12/1/6	3000	56	M1130151.00	√	493	CIM34D30ND2	9	180	230	0.9	7.55	S, US, 12
0.12/1/6	1750	63	M1130148.00	√	583	CIM34D18FD1	7	180	230	0.9	8.30	S, US, 13
0.18/1/4	3000	63	M1130152.00	√	538	CIM34D30ND3	11	180	230	1.3	8.78	S, US, 12
0.18/1/4	1750	63	M1130149.00	√	626	CIM34D18FD2	13	180	230	1.3	9.50	S, US, 13
0.25/1/3	3000	63	M1130153.00	√	597	CIM34D30FD1	11	180	230	1.7	9.50	S, US, 13

These motors have accommodations for B3 base mountings with the kits - see page 314

♥ Note listing on inside back flap
Specifications are subject to change without notice

Note 12 - TENV

Note 13 - TEFC

C/A - Check Availability





IEC Metric Motors

DC Metric Motors

Metric (IEC) Frame - SCR Rated - IP54

180 volts - Totally Enclosed - B14 Flange

kW/HP	Full Load RPM	IEC Frame	Catalog Number	Stock	List Price	Model Number	App. Wgt. (lbs)	DC Voltage	Control Volts AC Input	F.L. Amps @ 180 VDC	"C" Dim. (Inches)	♥Notes
0.06/1/12	3000	56	M1110024.00	✓	425	980.542	6	180	230	0.4	6.34	S, US, 12
0.06/1/12	1750	56	M1130136.00	✓	475	CIM34D18NC5	8	180	230	0.5	6.24	S, US, 12
0.09/1/8	3000	56	M1130140.00	✓	475	CIM34D30NC1	9	180	230	0.7	6.74	S, US, 12
0.09/1/8	1750	56	M1130137.00	✓	509	CIM34D18NC6	14	180	230	0.7	7.55	S, US, 12
0.12/1/6	3000	56	M1130141.00	✓	493	CIM34D30NC2	10	180	230	0.9	7.55	S, US, 12
0.12/1/6	1750	63	M1130138.00	✓	583	CIM34D18FC1	8	180	230	0.9	8.30	S, US, 13
0.18/1/4	3000	63	M1130142.00	✓	538	CIM34D30NC3	10	180	230	1.3	8.78	S, US, 12
0.18/1/4	1750	63	M1130139.00	✓	626	CIM34D18FC2	10	180	230	1.3	9.50	S, US, 13
0.25/1/3	3000	63	M1130143.00	✓	597	CIM34D30FC1	10	180	230	1.7	9.50	S, US, 13

Except for M1110024.00, these motors have accommodations for B3 base mountings with the kits - see page 314

♥ Note listing on inside back flap
Specifications are subject to change without notice

Note 12 - TENV
Note 13 - TEFC



TEFC - SCR Rated 180 Volts - Round Body

kW/HP	Full Load RPM	IEC Frame	Catalog Number	Stock	List Price	Model Number	App. Wgt. (lbs)	DC Voltage	Control Volts AC Input	F.L. Amps @ 180 VDC	"C" Dim. (Inches)	♥Notes
0.25/1/3	1750	71	098014.00	✓	623	42D17FT1	23	180	230	1.7	11.28	S, US
0.37/1/2	3000	71	098016.00	✓	665	42D34FT1	21	180	230	2.5	10.78	S, US
0.37/1/2	1750	71	098015.00	✓	706	42D17FT2	26	180	230	2.5	11.78	S, US
0.55/3/4	3000	71	098017.00	✓	765	42D34FT2	24	180	230	3.6	11.78	S, US
0.55/3/4	1750	80	108369.00	✓	874	4D17FT1	34	180	230	3.5	14.64	S, US
0.75/1	3000	80	108372.00	✓	874	4D34FT1	45	180	230	4.9	14.64	S, US
0.75/1	1750	80	108370.00	✓	1,079	4D17FT2	48	180	230	4.6	17.14	S, US
1.1/11/2	3000	80	108373.00	✓	967	4D34FT2	47	180	230	7.1	16.14	S, US
1.1/11/2	1750	80	108371.00	✓	1,424	4D17FT3	52	180	230	7.0	17.14	S, US
1.1/11/2	1750	90L	118007.00	✓	2,121	Cl6D17FT1	64	180	230	7.5	18.97	S, US
1.5/2	3000	90L	118009.00	✓	2,121	Cl6D34FT1	72	180	230	10.0	18.47	S, US
1.5/2	1750	90L	118008.00	✓	2,545	Cl6D17FT2	84	180	230	9.5	20.47	S, US
2.2/3	3000	90L	118010.00	✓	2,545	Cl6D34FT2	82	180	230	16.0	19.47	S, US
2.2/3	1750	112M	118014.00	✓	3,552	Cl6D17FK1	90	180	230	14.0	21.79	S, US

IMPORTANT: These round body motors require either a B3 rigid base, B14 face or B5 flange kit - see page 314. Catalog number 118014.00 comes complete with IEC 112 B14 face and B3 foot; shaft diameter is 24mm.

♥ Note listing on inside back flap
Specifications are subject to change without notice



Pump Motors
 Washguard Motors
 Agricultural Duty Motors
 HVAC / Fan Motors
 Special Voltage Motors
 Definite Purpose Motors
 Brake Motors
 IEC Motors
 DC Motors

IEC Metric Motors

Metric (IEC) Frame - SCR Rated

(For DC Metric Motors Only)

All motors are stocked with provisions to accommodate B3 foot mountings with the packages noted below.

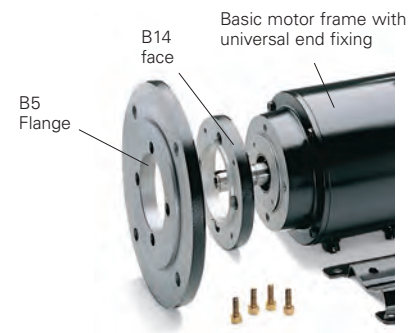
B3 Foot Mounting Kits

IEC Frame	Catalog Number	List Price
56	175142.00	72
63	175143.00	72
71	175144.00	78
80	175145.00	85
80	175784.00†	85
90	175146.00	54

† For endshield mounted brush cover motors

Flange Kits

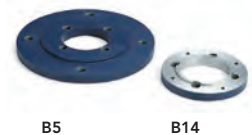
Flange and Face Kits for DC Metric (IEC) Frame Motors. An advantage of LEESON'S modular design concept is the possible use of a different diameter B5 flange or B14 face than is normally assigned to a motor by IEC dimensional standards. This flexibility makes it possible to accommodate a wide variety of gear reducers, pumps and similar close coupled motor mounted loads.



B5 Flange Kits (For DC Metric Motors Only)

IEC Frame	Catalog Number	List Price	App. Wgt. (lbs)	AK Register (mm)	BF Hole (mm)	AJ Bolt Circle (mm)	BD Flange Dia. (mm)
71	175106.00	87	2	110	9	130	160
80	175108.00	87	3	130	12	165	200
90S/90L	175108.00	87	3	130	12	165	200
100L/112M	175137.00	213	5	180	15	215	250

Specifications are subject to change without notice



B14 Face Kits (For DC Metric Motors Only)

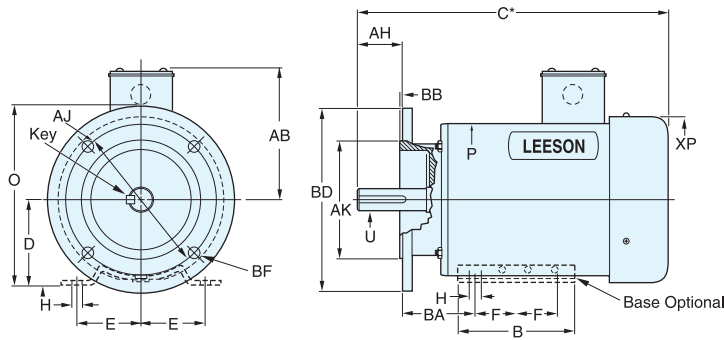
IEC Frame	Catalog Number	List Price	App. Wgt. (lbs)	AK Register (mm)	BF Hole (mm)	AJ Bolt Circle (mm)	BD Flange Dia. (mm)
71	175107.00	87	1	70	6	85	105
80	175109.00	87	1	80	6	100	120
90S/90L	175129.00	87	1	95	6	115	140
100L/112M	175130.00	213	2	110	6	130	160

Specifications are subject to change without notice

IEC Metric Motors

DC Metric Motors

Metric (IEC) Frame - SCR Rated



*For overall length, see motor listing.

IEC Frame Dimensions (Millimeters)

IEC Frame	Mounting					Shaft					B14 Face/B5 Flange					General				
	2E	2F	BA	D	H	U	AH \diamond	KEY	S	R	TAP	AJ	AK	BD	BF	BB	AB	XP	B	O
56	90	71	36	56	6	9	20	15	3	7.0	M3	65	50	80	M5	2.5	83	96	90	99
63	100	80	40	63	7	11	23	19	4	9.0	M4	75	60	90	M5	3.0	116	96	96	108
71	112	90	45	71	7	14	30	26	5	11.5	M5	85	70	105	M6	3.5	114	130	105	132
80	125	100	50	80	10	19	40	33	6	16.0	M6	100	80	120	M6	3.5	124	149	127	151
90S	140	100	56	90	10	24	50	36	8	20.5	M8	115	95	140	M8	3.5	135	182	152	173
90L	140	125	56	90	10	24	50	36	8	20.5	M8	115	95	140	M8	3.5	135	182	152	173
100L	160	140	63	100	12	28	60	41	8	24.5	M10	130	110	160	M8	4.0	135	182	176	173
112M	190	140	70	112	12	28	60	41	8	24.5	M10	130	110	160	M8	4.0	162	231	176	225

\diamond Without face or flange AH shaft dimension is 12mm longer.

Specifications are subject to change without notice



Pump Motors

Washguard Motors

Agricultural Duty Motors

HVAC / Fan Motors

Special Voltage Motors

Definite Purpose Motors

Brake Motors

IEC Motors

DC Motors

IEC Metric Motors

DC Metric Motors

Low Voltage - DC Metric - IP 54



General Specifications:

- Built to IEC 34-1 electrical and mechanical standards
- IEC 63 and smaller frames supplied with an integral B5 Flange or B14 face
- Optional B3 Rigid base kit available
- IEC 71 frame and larger can be field modified for B3 Rigid Base, B5 Flange, or B14 face construction using conversion kits
- Tachometer mounting kits available for 71 and 80 frames only

Features:

- Cast aluminum conduit box
- Terminal board provided for connections
- All metric fasteners
- Easy brush access for field service
- Oversize brushes for extended life
- High strength rolled steel frame
- Die cast aluminum endshields with steel bearing inserts
- Permanently lubricated sealed ball bearings
- Reversible rotation
- Simple 2 lead connection
- Convenient wiring access
- Tachometer mounting kits available for 71 and 80 frames only



24 Volt - TEFC/TENV - Modular Design

HP/kW	Full Load RPM	IEC Frame	Catalog Number	Stock	List Price	Model Number	App. Wgt. (lbs)	DC Voltage	FL. Amps DC	"C" Dim. (Inches)	♥Notes
1/12/0.06	3000	56	M1110025.00	√	388	980.543	5	24	3.3	5.34	S, US, 12, >
1/12/0.06	1750	56	M1110026.00	√	437	980.544	6	24	3.4	6.34	S, US, 12, >
1/4/0.18	3000	63	M1130206.00	√	494	CIM34D30FD2	13	24	11.0	7.75	S, US, □
1/4/0.18	3000	63	M1130296.00	√	494	CIM34D30FC7	9	24	11.0	7.75	S, US, >
1/4/0.18	1750	63	M1130207.00	√	565	CIM34D18FD6	13	24	10.0	8.75	S, US, □
1/4/0.18	1750	63	M1130297.00	√	565	CIM34D18FC10	9	24	10.0	8.75	S, US, >
1/4/0.18	1750	71	098065.00	√	677	42D17FT6	19	24	11.0	10.77	S, US
1/2/0.37	3000	71	098066.00	√	700	42D34FT7	23	24	20.0	11.27	S, US
1/2/0.37	1750	71	098067.00	√	741	42D17FT7	23	24	20.0	12.27	S, US
1/0.75	3000	80	108456.00	√	814	4D34FT5	33	24	40.0	14.14	S, US, 35
1/0.75	1750	80	108455.00	√	951	4D17FT6	52	24	39.0	14.64	S, US, 35
1 1/2/1.1	3000	80	108457.00	√	903	4D34FT6	33	24	65.0	15.64	S, US, 35
2/1.5	3000	80	108458.00	√	1,039	4D34FT7	43	24	78.0	17.14	S, US, 35

Note 12 - TENV

Note 35 - Terminal bolts at 12:00

IMPORTANT: IEC 71 and 80 frame motors in this chart are round body and require either B14 face, B5 flange or B3 foot from kits shown on page 314.

□ Dedicated B5 Flange

> Dedicated B14 Face

♥ Note listing on inside back flap
Specifications are subject to change without notice



IEC Metric Motors

DC Metric Motors

Low Voltage Commercial Duty Metric (IEC) Frame Motors



Features:

- Specially designed low voltage DC for use in OEM applications
- Combination of features and low cost make these ideal for many uses
- IP44(TENV) enclosure
- Dedicated B14 face mount
- Rated S1 for continuous duty

12, 24 & 90 Volt - TENV - B14 Mount

HP	Full Load RPM	IEC Frame	Catalog Number	Stock	List Price	Model Number	App. Wgt. (lbs)	DC Voltage	FL Amps DC	♥Notes
1/15	3000	56	980.159	✓	198	980.159	2.3	12	6.4	S, US
1/15	3000	56	980.143	✓	198	980.143	2.3	24	3.2	S, US
1/15	3000	56	980.549	✓	189	980.549	2.3	90	0.8	S, US
1/8	3000	56	970.600	✓	228	970.600	3.0	12	12.0	S, US
1/8	3000	56	970.601	✓	228	970.601	3.0	24	5.3	S, US
1/8	3000	56	970.576	✓	228	970.576	3.0	90	1.2	S, US
1/6	3000	56	970.620	✓	247	970.620	3.5	12	13.1	S, US
1/6	3000	56	970.621	✓	247	970.621	3.5	24	6.8	S, US
1/6	3000	56	970.577	✓	235	970.577	3.5	90	1.6	S, US

♥ Note listing on inside back flap
Specifications are subject to change without notice

The formulas for success.

Once you get to know the LEESON® IEC motor product line you'll find a world of applications waiting for these solutions. To know the product is one thing—understanding the technical relationships with NEMA® motors is another. We are confident that the formulas below will help you when specifying a LEESON Passport Series IEC motor.

HORSEPOWER AND KILOWATTS	HP → kW: $HP * 0.746 = kW$ kW → HP: $kW * 1.3410 = HP$	Example: HP to kW Motor: 25HP NEMA $(25 * 0.746) = 18.7kW$
FULL LOAD TORQUE AND HORSEPOWER	Full Load Torque: $FL\ TRQ = (HP * 5252) / RPM$ Horsepower: $HP = (TRQ * FL\ RPM) / 5252$	Example: Full Load Torque Motor: 50HP, 1800 RPM $(50 * 5252) / 1800 = 145.9\ ft\text{-}lbs$
NEWTON METERS AND FOOT POUNDS	Newton Meters: $Nm = \sqrt{3} * ft\text{-}lbs$ Foot Pounds: $LB\text{-}FT = 1.36 * Nm$ <i>NOTE: Torque units = ft-lbs</i>	Example: Ft-Lbs to Nm Motor: 10HP, 1800 RPM = 30 ft-lbs $30 * 1.36 = 40.8\ Nm$
KVA/HP AND LOCKED ROTOR AMPS (STARTING AMPS)	LRA: $LRA = (KVA/HP * 1000 * HP) / (V * \sqrt{3})$ KVA/HP: $KVA/HP = (\sqrt{3} * V * LRA) / (1000 * HP)$	Example: LRA Motor: 93kW (125HP), NEMA Code G, 460V $(6.29 * 1000 * 125) / (460 * 1.73205) = 987\ Amps$ Example: KVA/HP Motor: 93kW (125HP), NEMA Code G, 460V $(1.73205 * 460 * 987) / (1000 * 125) = 6.29$
KILOVOLT-AMPS AND 3-PHASE FULL LOAD AMPS	KVA: $KVA = \sqrt{3} * V * FLA / 1000$ 3-Phase FLA: $FLA = (746 * HP) / (Volts * Eff. * PF * \sqrt{3})$	Example: 3-Phase FLA Motor: 93kW (125HP), 95.4% Efficiency, 86.0% PF $(746 * 125) / (460 * .954 * .86 * 1.73205) = 143$



Pump Motors

Washguard Motors

Agricultural Duty Motors

HVAC / Fan Motors

Special Voltage Motors

Definite Purpose Motors

Brake Motors

IEC Motors

DC Motors

DC Motors

Pump
Motors

Washguard
Motors

Agricultural
Duty Motors

HVAC / Fan
Motors

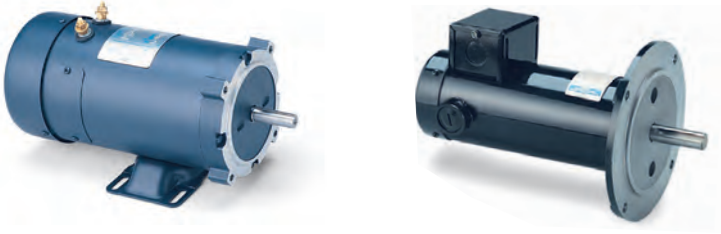
Special Voltage
Motors

Definite
Purpose Motors

Brake Motors

IEC Motors

DC Motors



- NEMA® DC, explosion proof, Sub-FHP, washdown, IEC and low voltage motors available
- Permanent magnet designs
- PWM or SCR rated and low voltage input voltage designs
- Removable bolt-on base
- Oversized brushes for long brush life
- Easy access to brushes
- Constant torque throughout speed range
- DC Controls available to change the speed of the motors

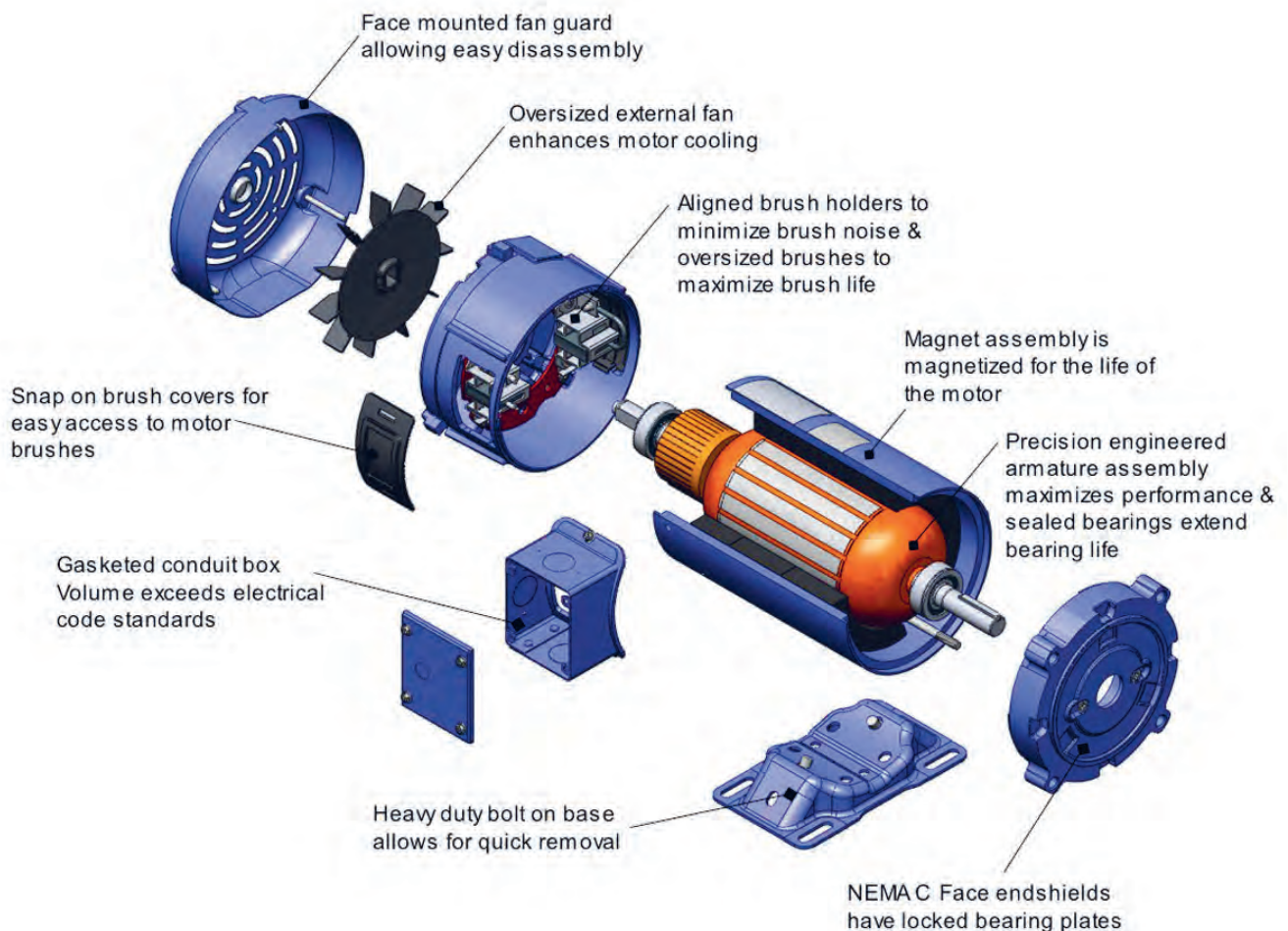
Applications:

DC motors are typically used in applications requiring motor speed adjustment, constant torque throughout the speed range and reversing capabilities. Applications would include: pumps, conveyors, turntables, textile machinery, treadmills, reeling equipment, sports equipment and medical equipment.



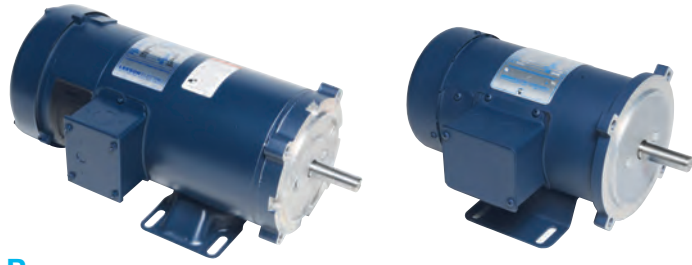
Mechanical / Electrical Features:

- Brush holder design provides easy access to brushes
- Large oversized brushes assure long brush life
- Removable bolt-on base
- NEMA® C face designs
- 115 or 230 volt input power ratings – 90 / 180 volt output
- Capable of dynamic braking
- PWM or SCR type controller rated
- High starting torque
- Permanently lubricated sealed bearings
- LEESON® SCR controls available to power motors
- High starting torque
- Higher HP and speed achievable using PWM type DC controls
- UL and CSA listed
- Meets NEMA MG1 standards
- Dynamically balanced armatures
- 30:1 constant torque operation



DC Motors

NEMA® Frame - SCR Rated



TEFC - SCR Rated 90 & 180 Volts

NEMA 56C - C Face With Removable Base

HP	Full Load RPM	NEMA Frame	Catalog Number	Stock	List Price	Model Number	App. Wgt. (lbs)	Arm. Volts DC	Control Volts AC Input	FL. Amps DC	"C" Dim. (Inches)	♥Notes
1/4	1750	SS56C	098002.00	√	666	42D17FK2	19	90	115	2.5	10.81	S, US
1/4	1750	SS56C	098003.00	√	666	42D17FK3	22	180	230	1.4	11.31	S, US
1/3	1750	SS56C	098004.00	√	706	42D17FK4	23	90	115	3.5	11.31	S, US
1/3	1750	SS56C	098005.00	√	706	42D17FK5	23	180	230	1.7	11.31	S, US
1/3	1140	S56C	109098.00	C/A	866	4D11FK5	32	90	115	3.5	12.81	S, US
1/2	2500	SS56C	098006.00	√	706	42D28FK1	22	90	115	5.0	10.81	S, US
1/2	2500	SS56C	098007.00	√	706	42D28FK2	22	180	230	2.5	10.81	S, US
1/2	1750	SS56C	098000.00	√	785	42D17FK1	26	90	115	5.0	11.81	S, US
1/2	1750	S56C	108014.00	√	824	4D17FK1	29	90	115	5.0	12.82	S, US
1/2	1750	SS56C	098008.00	√	785	42D17FK6	25	180	230	2.5	11.81	S, US
1/2	1750	S56C	108015.00	√	824	4D17FK2	30	180	230	2.5	12.82	S, US
1/2	1140	S56C	109099.00	√	910	4D11FK6	40	90	115	5.0	14.32	S, US
3/4	2500	SS56C	098009.00	√	846	42D28FK3	26	90	115	7.6	11.81	S, US
3/4	2500	S56C	108016.00	√	890	4D28FK3	29	90	115	7.6	12.82	S, US
3/4	2500	SS56C	098010.00	√	846	42D28FK4	25	180	230	3.8	11.81	S, US
3/4	2500	S56C	108017.00	√	890	4D28FK4	29	180	230	3.8	12.82	S, US
3/4	1750	SS56C	098032.00	√	954	42D17FK7	36	90	115	7.6	13.81	S, US
3/4	1750	S56C	108018.00	√	1004	4D17FK3	38	90	115	7.6	13.82	S, US
3/4	1750	SS56C	098069.00	√	954	42D17FK11	36	180	230	3.8	13.81	S, US
3/4	1750	S56C	108019.00	√	1004	4D17FK4	35	180	230	3.8	13.82	S, US
3/4	1140	S56C	109100.00	√	1,229	4D11FK7	49	90	115	7.5	15.82	S, US
1	2500	S56C	108020.00	√	954	4D28FK5	34	90	115	10.0	13.32	S, US
1	2500	S56C	108021.00	√	954	4D28FK6	38	180	230	5.0	13.82	S, US
1	1750	S56C	108022.00	√	1,168	4D17FK5	47	90	115	10.0	14.82	S, US
1	1750	S56C	108023.00	√	1,168	4D17FK6	39	180	230	5.0	14.81	S, US
1	1140	145TC	128023.00	C/A	2,327	C145D11FK1	82	90	115	11.0	18.84	S, US
1 1/2	2500	S56C	108265.00	√	1,413	4D28FK11	43	180	230	7.5	15.32	S, US
1 1/2	1750	S56C	108092.00	√	1,458	4D17FK10	53	180	230	7.6	16.82	S, US
1 1/2	1750	S56/145TC	108262.00	√	1,458	4D17FK19	54	180	230	7.6	17.39	S, US, 8
1 1/2	1750	145TC	128000.00	√	2,214	C145D17FK2	70	180	230	7.5	18.34	S, US
2	2500	S56/145TC	108266.00	√	2,214	4D28FK12	51	180	230	8.6	17.89	S, US, 8
2	1750	145TC	128010.00	√	2,644	C145D17FK3	83	180	230	9.5	19.34	S, US
2	1750	182/145TC	128001.00	√	2,644	C182D17FK3	84	180	230	9.5	19.34	S, US, 61
3	1750	182/145TC	108502.00	√	3,681	182D17FK2	88	180	230	14.0	21.75	S, US, 61

If base is removed, do not reinstall bolts without using washers to compensate for thickness of base.

♥ Note listing on inside back flap Specifications are subject to change without notice

C/A - Check Availability



Pump Motors
Washguard Motors
Agricultural Duty Motors
HVAC / Fan Motors
Special Voltage Motors
Definite Purpose Motors
Brake Motors
IEC Motors
DC Motors



DC Motors NEMA® Frame - SCR Rated

TEFC - SCR Rated 90 & 180 Volts NEMA 56C - C Face Less Base*

HP	Full Load RPM	NEMA Frame	Catalog Number	Stock	List Price	Model Number	App. Wgt. (lbs)	Arm. Volts DC	Control Volts AC Input	FL. Amps DC	"C" Dim. (Inches)	Notes
1/4	1750	SS56C	098377.00	√	642	42D17FC29	19	90	115	2.5	10.81	S, US
1/3	1750	SS56C	098378.00	√	684	42D17FC30	23	90	115	3.5	11.31	S, US
1/2	1750	SS56C	098379.00	√	762	42D17FC31	29	90	115	5.0	11.81	S, US
3/4	1750	SS56C	098380.00	√	931	42D17FC32	38	90	115	7.6	13.81	S, US
1	1750	S56C	109096.00	√	1,142	4D17FC42	47	90	115	10.0	14.82	S, US
1	1750	S56C	109097.00	√	1,142	4D17FC43	39	180	230	5.0	14.82	S, US

No tapped holes provided for attaching a bolt-on base.

♥ Note listing on inside back flap
Specifications are subject to change without notice

All necessary parts to mount listed tachometers to stock TEFC SCR motors. Consists of machined cast fan cover, coupling and hardware. Does not include tachometer. Tach adapter kit is not suitable for catalog number 108502.00.

Tachometer Mounting Kits For DC Motors

Tachometer Type	NEMA Frame	IEC Frame	Catalog Number	List Price	App. Wgt. (lbs)
GE 5PY Series	SS56	71	175156.00	301	5
	56/145	90	175158.00	617	5
Servo-tek	SS56	71	175157.00	317	8
SA740 Series	56/145	90	175159.00	704	8

No tachometer mounting kit available for S56C motors

Specifications are subject to change without notice

Motors with S56C or SS56C frame sizes may be converted to 42/48 C face using the following:

Modification Kits

Frame	Catalog Number	List Price
S56C	175080.00*	40

* Addition of base kit will result in non-NEMA BA dimension of 2 3/4". Addition of C face kit will result in conduit box located at 1 o'clock facing lead end.

† For S56 frame endshield mounted brush cover motors
Specifications are subject to change without notice



DC motors in NEMA S56C frame may be converted to 48 base using the following:

Frame	Catalog Number	List Price
S56C	175082.00*	51
S56C	175802.00*†	51

* Addition of base kit will result in non-NEMA BA dimension of 2 3/4". Addition of C face kit will result in conduit box located at 1 o'clock facing lead end

† For S56 frame endshield mounted brush cover motors
Specifications are subject to change without notice

DC Motors

Explosion-Proof - SCR Rated

Application Notes:

These motors must be applied in accordance with the National Electrical Code, Article #500. For a listing of explosive agents, consult NFPA Publication 497M.

General Specifications:

- Approved for application in hazardous environments where certain explosive gases or materials are present

Features:

- Rugged mechanical construction
- Meets all safety requirements
- UL and CSA listed
- Leads exit thru 3/4"-14 NPT pipe nipple at top of frame opposite shaft end
- Optional Conduit box available - use Kit 175026.00
- Pilot duty thermostats - standard (connect to SCR control)
- Thermostats rated for continuous duty with full wave SCR (thyristor) controls
- Double shielded, pre-lubricated ball bearings - standard
- Easy brush access for field service



Explosion-Proof - Class I, Groups C & D – Class II, Groups F & G 90 & 180 Volt - TEFC - C Face With Removable Base

HP	Full Load RPM	NEMA Frame	Catalog Number	Stock	List Price	Model Number	App. Wgt. (lbs)	Arm. Volts DC	Control Volts AC Input	FL. Amps DC	"C" Dim. (Inches)	♥Notes
1/3	1750	S56C	118015.00	√	2,556	C6D17EK1	27	90	115	3.5	13.41	S, US
1/2	1750	S56C	118016.00	√	2,886	C6D17EK2	30	90	115	4.7	14.41	S, US
1/2	1750	S56C	118017.00	√	2,886	C6D17EK3	32	180	230	2.5	14.41	S, US
3/4	1750	S56C	118018.00	√	3,576	C6D17EK4	40	90	115	7.1	16.41	S, US
3/4	1750	S56C	118019.00	√	3,576	C6D17EK5	36	180	230	3.3	16.41	S, US

♥ Note listing on inside back flap
Specifications are subject to change without notice

Low Voltage DC Explosion Proof Motors

- Division 1 and 2, Class 1 (Groups C and D), Class II (Groups F and G) and Class III
- Removable base
- Class H insulation
- Optional conduit box available - use kit 175026.00

12 and 24 Volts - TENV - Rigid C Face

HP	Full Load RPM	NEMA Frame	Catalog Number	Stock	List Price	Model Number	App. Wgt. (lbs)	Arm. Volts DC	FL. Amps DC	Torque (lb-in)	"C" Dim. (Inches)	♥Notes
1/3	1750	56C	118054.00	√	3,359	C6D17EK6	19	12	28.0	12.0	10.38	S, US
1/3	1750	56C	118055.00	√	3,359	C6D17EK7	24	24	13.4	12.0	10.38	S, US
3/4	1750	56C	118056.00	√	4,258	C6D17EK8	33	24	28.2	27.0	13.38	S, US

♥ Note listing on inside back flap
Specifications are subject to change without notice

NEMA Frame - Washguard® Duty - 90 & 180 Volts

General Specifications:

- Extended life in wet, high humidity applications - IP55
- Design repels water from entering motor
- Internal components protected against rust and corrosion
- Frame, base, endshields, armature and interior components protected by enamel and polyester compounds of outstanding adhesion and resistance to moisture, acids, alkalis and oil



Features:

- 303 stainless steel shaft resists corrosion
- Lubricated spring loaded contact seals prevent moisture from entering the motor
- Patented "V" ring forsheda seal deflects water
- Double sealed, oversize bearings with high temp lubricant
- Exterior and interior components protected against moisture, acids, alkalis and oil
- Cast conduit box for superior sealing includes:
 - Threaded entrance
 - Drain holes
 - Nitrile gaskets
- 304 stainless steel conduit box cover and fan cover
- Re-positionable drain plugs for use in multiple mounting positions
- Nylon seals at bolt heads for superior sealing
- Machined fits throughout
- Stainless steel data plate
- Chemically inert, static free fan with positive mounting ensures it won't move
- Stainless steel fan guard
- USDA approved white epoxy finish

90 & 180 Volts - Totally Enclosed - C Face With Removable Base

HP	Full Load RPM	NEMA Frame	Catalog Number	Stock	List Price	Model Number	App. Wgt. (lbs)	Arm. Volts DC	Control Volts AC Input	FL. Amps DC	"C" Dim. (Inches)	♥Notes
1/4	1750	S56C	108423.00	√	854	C4D17VK9	23	90	115	2.7	10.69	S, US
1/4	1750	S56C	098375.00	CA	854	C42D17VK1	21	180	230	1.4	10.22	S, US
1/3	1750	S56C	108424.00	√	903	C4D17VK10	26	90	115	3.5	11.69	S, US
1/3	1750	S56C	098376.00	C/A	903	C42D17VK2	22	180	230	1.7	10.22	S, US
1/2	1750	S56C	108226.00	√	1,013	C4D17VK1	38	90	115	4.9	13.69	S, US
1/2	1750	S56C	108227.00	√	1,013	C4D17VK2	43	180	230	2.4	13.69	S, US
3/4	1750	S56C	108228.00	√	1,229	C4D17VK3	53	90	115	7.0	15.69	S, US
3/4	1750	S56C	108229.00	√	1,229	C4D17VK4	50	180	230	3.5	15.69	S, US
1	1750	S56C	108230.00	√	1,497	C4D17WK1	45	90	115	10.0	15.81	S, US
1	1750	S56C	108231.00	√	1,497	C4D17WK2	42	180	230	5.0	14.81	S, US
1 1/2	1750	S56C	108232.00	√	1,913	C4D17WK3	50	180	230	7.6	15.81	S, US

C/A - Check Availability

♥ Note listing on inside back flap Specifications are subject to change without notice

Washguard® - IEC Frame - TENV IP55

180 Volts - TENV - B5 Flange With Removable Base

HP	Full Load RPM	NEMA Frame	Catalog Number	Stock	List Price	Model Number	App. Wgt. (lbs)	Arm. Volts DC	Control Volts AC Input	FL. Amps DC	"C" Dim. (Inches)	♥Notes
1/2 - .37	1750	71	098040.00	C/A	895	42D17VD1	22	180	230	2.5	10.69	S, US
3/4 - .55	1750	80	108407.00	D	1,213	4D17VD1	52	180	230	3.5	16.02	S, US

If base is removed, do not reinstall bolts without using washers to compensate for the thickness of base. These Washguard motors are modular design but stocked with B5 flange and B3 foot. The foot is removable. The B5 flange can be replaced with a B14 face or other diameter B5 flanges noted on page 314.

♥ Note listing on inside back flap Specifications are subject to change without notice

D - Item to be discontinued when inventory is depleted
C/A - Check Availability



DC Motors

Sub-FHP - SCR Rated

General Specifications:

Precision subfractional horsepower DC permanent magnet motors designed for use with full wave non-filtered SCR controls for adjustable speed applications requiring dynamic braking and constant torque throughout the speed range.

Features:

- Compact, space saving design
- Ball bearing construction
- Long life brushes
- External access to brushes allows for easy replacement further prolonging motor life
- Conduit box standard on 31 and 34 frame models
- Continuous duty with full wave un-filtered rectified SCR (thyristor) controls
- Linear speed torque characteristics throughout the speed range
- High starting torques
- Reversible rotation



90 & 180 Volt - TENV/TEFC - Square Flange or C Face

HP	Full Load RPM	NEMA Frame	Catalog Number	Stock	List Price	Model Number	App. Wgt. (lbs)	Arm. Volts DC	Control Volts AC Input	FL. Amps DC	♥Notes
1/25	3500	25AS	M1110014.00	√	298	980.533	3	90	115	0.5	S, US, 12
1/25	1750	25CS	M1110003.00	√	309	980.535	3	90	115	0.5	S, US, 12
1/15	3500	25CS	M1110015.00	√	319	980.539	5	90	115	0.7	S, US, 12
1/15	1750	31BS	M1120013.00	√	331	CM31D17NZ1	5	90	115	0.8	S, US, 12
1/15	1750	31BS	M1120039.00	√	331	CM31D17NZ5	7	180	230	0.4	S, US, 12
1/10	3500	31BS	M1120060.00	√	331	CM31D35NZ4	5	90	115	1.3	S, US, 12
1/10	1750	31CS	M1120014.00	√	392	CM31D17NZ2	7	90	115	1.1	S, US, 12
1/10	1750	31CS	M1120041.00	√	392	CM31D17NZ7	7	180	230	0.6	S, US, 12
1/8	3500	31CS	M1120059.00	√	392	CM31D35NZ3	6	90	115	1.5	S, US, 12
1/8	1750	31ES	M1120027.00	√	424	CM31D18NZ10	7	90	115	1.3	S, US, 12
1/8	1750	31ES	M1120045.00	√	424	CM31D17NZ11	7	180	230	0.7	S, US, 12
1/8	1750	34D42CZ	M1130053.00	√	439	CM34D17NC5	8	90	115	1.4	S, US, 12
1/8	1750	34D42CZ	M1130118.00	√	439	CM34D17NC8	7	180	230	0.7	S, US, 12
1/6	3500	31ES	M1120058.00	√	424	CM31D35NZ6	9	90	115	1.9	S, US, 12
1/6	1750	31GS	M1120042.00	√	428	CM31D17NZ8	9	90	115	1.8	S, US, 12
1/6	1750	31GS	M1120043.00	√	428	CM31D17NZ9	11	180	230	0.9	S, US, 12
1/6	1750	34E56C	M1130054.00	√	448	CM34D17NC6	11	90	115	1.7	S, US, 12
1/6	1750	34E56C	M1130119.00	C/A	448	CM34D17NC9	11	180	230	0.9	S, US, 12
1/4	3500	31GS	M1120062.00	√	447	CM31D35NZ5	9	90	115	2.6	S, US, 12
1/4	1750	34G56C	M1130055.00	√	464	CM34D17FC2	13	90	115	2.7	S, US, 13
1/4	1750	34G56C	M1130120.00	√	464	CM34D17FC4	13	180	230	1.3	S, US, 13

25 frame motors have provisions for an optional conduit box catalog number M1760000.00, see page 356.

♥ Note listing on inside back flap Specifications are subject to change without notice

C/A = Check Availability
 Note 12 - TENV
 Note 13 - TEFC





Application Notes:

LEESON® Washguard® motors are designed for extended life in applications requiring regular washdown or otherwise wet environments. Washguard motors retard the entrance of water. Extra protection for the motor's interior prevents rust and corrosion build-up and releases trapped moisture to insure a longer life than possible with a standard motor.

General Specifications:

Precision subfractional horsepower DC permanent magnet motors. Designed for use with fullwave nonfiltered SCR controls or battery supplied low voltage for adjustable speed applications requiring constant torque throughout the speed range.

Features:

- 303 Stainless steel shaft resists corrosion
- Lubricated spring loaded contact seals prevent moisture from entering the motor
- Double sealed, oversize bearings with high temp lubricant
- Exterior and interior components protected against moisture, acids, alkalis and oil
- Cast conduit box for superior sealing includes:
 - Threaded entrance
 - Drain holes
 - Nitrile gaskets
- 304 stainless steel conduit box cover
- Stainless steel hardware
- USDA approved white epoxy finish
- Nylon seals at bolt heads for superior sealing
- O ring sealed brush covers



90 Volt - TENV - Square Flange or C Face

HP	Full Load RPM	NEMA Frame	Catalog Number	Stock	List Price	Model Number	App. Wgt. (lbs)	Arm. Volts DC	Control Volts AC Input	FL. Amps DC	♥Notes
1/8	1750	31S	M1120181.00	√	531	CM31D17V21	11	90	115	1.5	S, US
1/6	1750	31S	M1120183.00	√	538	CM31D17V23	11	90	115	1.9	S, US
1/4	2500	32F42CZ	M1120185.00	√	586	CM32D25VC1	13	90	115	1.9	S, US

♥ Note listing on inside back flap Specifications are subject to change without notice



12 Volt - TENV - Square Flange or C Face

HP	Full Load RPM	NEMA Frame	Catalog Number	Stock	List Price	Model Number	App. Wgt. (lbs)	Arm. Volts DC	FL. Amps DC	♥Notes
1/8	1750	31S	M1120182.00	√	553	CM31D17VZ2	7	12	11	S, US
1/6	1750	31S	M1120184.00	√	560	CM31D17VZ4	11	12	15	S, US
1/4	2500	32F42CZ	M1120186.00	√	608	CM32D25VC2	13	12	20	S, US

♥ Note listing on inside back flap Specifications are subject to change without notice



DC Motors

METRIC (IEC) Frame - SCR Rated - IP54



Application Notes:

Please note that one or more of the mounting kits must be used with IEC motors of these frame sizes. See listing on next page for B5 flange and B14 face kits. B3 rigid base kits are listed below.

General Specifications:

- Built to IEC 34-1 electrical and mechanical standards
- IEC 63 and smaller frames supplied with an integral B5 Flange or B14 face
- Optional B3 Rigid base kit available
- IEC 71 frame and larger can be field modified for B3 Rigid Base, B5 Flange, or B14 face construction using conversion kits
- Tachometer mounting kits available for 71 frame only

Features:

- Cast aluminum conduit box
- Terminal board provided for connections
- All metric fasteners
- Easy brush access for field service
- Oversize brushes for extended life
- High strength rolled steel frame
- Die cast aluminum endshields with steel bearing inserts
- Permanently lubricated sealed ball bearings
- Reversible rotation
- Simple 2 lead connection
- Convenient wiring access
- Tachometer mounting kits available for 71 frame only



180 Volts - Totally Enclosed - B5 Flange

kW/HP	Full Load RPM	IEC Frame	Catalog Number	Stock	List Price	Model Number	App. Wgt. (lbs)	Arm. Volts DC	Control Volts AC Input	F.L. Amps DC	"C" Dim. (Inches)	♥Notes
0.06/1/12	1800	56	M1130146.00	C/A	475	CIM34D18ND1	8	180	230	0.5	6.24	S, US, 12
0.09/1/8	3000	56	M1130150.00	√	475	CIM34D30ND1	9	180	230	0.7	6.74	S, US, 12
0.09/1/8	1800	56	M1130147.00	√	509	CIM34D18ND2	10	180	230	0.7	7.55	S, US, 12
0.12/1/6	3000	56	M1130151.00	√	493	CIM34D30ND2	9	180	230	0.9	7.55	S, US, 12
0.12/1/6	1800	63	M1130148.00	√	583	CIM34D18FD1	7	180	230	0.9	8.30	S, US, 13
0.18/1/4	3000	63	M1130152.00	√	538	CIM34D30ND3	11	180	230	1.3	8.78	S, US, 12
0.18/1/4	1800	63	M1130149.00	√	626	CIM34D18FD2	13	180	230	1.3	9.50	S, US, 13
0.25/1/3	3000	63	M1130153.00	√	597	CIM34D30FD1	11	180	230	1.7	9.50	S, US, 13

These motors have accommodations for B3 base mountings with the kits listed on page 314.

♥ Note listing on inside back flap Specifications are subject to change without notice

C/A - Check Availability
 Note 12 - TENV
 Note 13 - TEFC





DC Motors METRIC (IEC) Frame - SCR Rated - IP54



180 volts - Totally Enclosed - B14 Flange

kW/HP	Full Load RPM	IEC Frame	Catalog Number	Stock	List Price	Model Number	App. Wgt. (lbs)	Arm. Volts DC	Control Volts AC Input	FL. Amps DC	"C" Dim. (Inches)	♥Notes
0.06/1/12	3000	56	M1110024.00	√	425	980.542	6	180	230	0.4	6.34	S, US, 12
0.06/1/12	1800	56	M1130136.00	√	475	CIM34D18NC5	8	180	230	0.5	6.24	S, US, 12
0.09/1/8	3000	56	M1130140.00	√	475	CIM34D30NC1	9	180	230	0.7	6.74	S, US, 12
0.09/1/8	1800	56	M1130137.00	√	509	CIM34D18NC6	14	180	230	0.7	7.55	S, US, 12
0.12/1/6	3000	56	M1130141.00	√	493	CIM34D30NC2	10	180	230	0.9	7.55	S, US, 12
0.12/1/6	1800	63	M1130138.00	√	583	CIM34D18FC1	8	180	230	0.9	8.30	S, US, 13
0.18/1/4	3000	63	M1130142.00	√	538	CIM34D30NC3	10	180	230	1.3	8.78	S, US, 12
0.18/1/4	1800	63	M1130139.00	√	626	CIM34D18FC2	10	180	230	1.3	9.50	S, US, 13
0.25/1/3	3000	63	M1130143.00	√	597	CIM34D30FC1	10	180	230	1.7	9.50	S, US, 13

Except for M1110024.00, these motors have accommodations for B3 base mountings with kits - see page 314.

♥ Note listing on inside back flap
Specifications are subject to change without notice

Note 12 - TENV
Note 13 - TEFC



TEFC - SCR Rated 180 Volts - Round Body

kW/HP	Full Load RPM	IEC Frame	Catalog Number	Stock	List Price	Model Number	App. Wgt. (lbs)	Arm. Volts DC	Control Volts AC Input	FL. Amps DC	"C" Dim. (Inches)	♥Notes
0.25/1/3	1800	71	098014.00	√	623	42D17FT1	23	180	230	1.7	11.28	S, US
0.37/1/2	3000	71	098016.00	√	665	42D34FT1	21	180	230	2.5	10.78	S, US
0.37/1/2	1800	71	098015.00	√	706	42D17FT2	26	180	230	2.5	11.78	S, US
0.55/3/4	3000	71	098017.00	√	765	42D34FT2	24	180	230	3.6	11.78	S, US
0.55/3/4	1800	80	108369.00	√	874	4D17FT1	34	180	230	3.5	14.64	S, US
0.75/1	3000	80	108372.00	√	874	4D34FT1	45	180	230	4.9	14.64	S, US
0.75/1	1800	80	108370.00	√	1,079	4D17FT2	48	180	230	4.6	17.14	S, US
1.1/11/2	3000	80	108373.00	√	967	4D34FT2	47	180	230	7.1	16.14	S, US
1.1/11/2	1800	80	108371.00	√	1,424	4D17FT3	52	180	230	7.0	17.14	S, US
1.1/11/2	1800	90L	118007.00	√	2,121	CI6D17FT1	64	180	230	7.5	18.97	S, US
1.5/2	3000	90L	118009.00	√	2,121	CI6D34FT1	72	180	230	10.0	18.47	S, US
1.5/2	1800	90L	118008.00	√	2,545	CI6D17FT2	84	180	230	9.5	20.47	S, US
2.2/3	3000	90L	118010.00	√	2,545	CI6D34FT2	82	180	230	16.0	19.47	S, US
2.2/3	1800	112M	118014.00	√	3,552	CI6D17FK1	90	180	230	14.0	21.79	S, US

IMPORTANT: These round body motors require either a B3 rigid base, B14 face or B5 flange kit - see page 314. Catalog number 118014.00 comes complete with IEC 112 B14 face and B3 foot; shaft diameter is 24mm.

♥ Note listing on inside back flap
Specifications are subject to change without notice



Pump Motors

Washguard Motors

Agricultural Duty Motors

HVAC / Fan Motors

Special Voltage Motors

Definite Purpose Motors

Brake Motors

IEC Motors

DC Motors

DC Motors

Metric (IEC) Frame - SCR Rated

(For DC Metric Motors Only)

All motors are stocked with provisions to accommodate B3 foot mountings with the packages noted below.

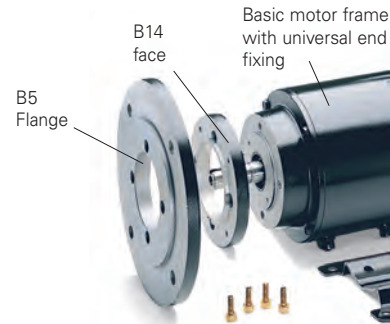
B3 Foot Mounting Kits

IEC Frame	Catalog Number	List Price
56	175142.00	70
63	175143.00	70
71	175144.00	76
80	175145.00	82
80	175784.00†	82
90	175146.00	52

† For endshield mounted brush cover motors

Flange Kits

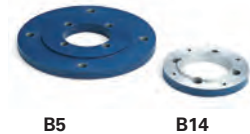
Flange and face kits for DC Metric (IEC) frame motors. An advantage of LEESON'S modular design concept is the possible use of a different diameter B5 flange or B14 face than is normally assigned to a motor by IEC dimensional standards. This flexibility makes it possible to accommodate a wide variety of gear reducers, pumps and similar close coupled motor mounted loads.



B5 Flange Kits (For DC Metric Motors Only)

IEC Frame	Catalog Number	List Price	App. Wgt. (lbs)	AK Register (mm)	BF Hole (mm)	AJ Bolt Circle (mm)	BD Flange Dia. (mm)
71	175106.00	84	2	110	9	130	160
80	175108.00	84	3	130	12	165	200
90S/90L	175108.00	84	3	130	12	165	200
100L/112M	175137.00	206	5	180	15	215	250

Specifications are subject to change without notice



B14 Face Kits (For DC Metric Motors Only)

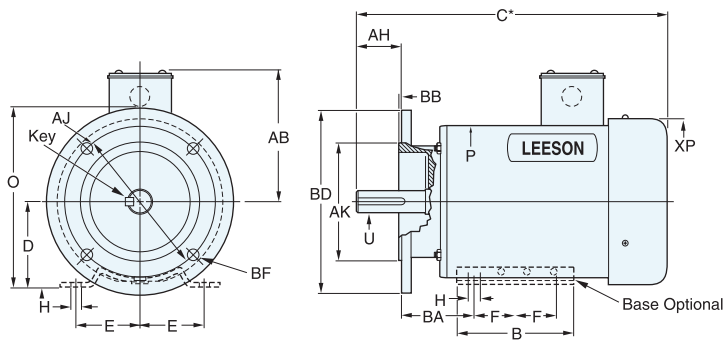
IEC Frame	Catalog Number	List Price	App. Wgt. (lbs)	AK Register (mm)	BF Hole (mm)	AJ Bolt Circle (mm)	BD Flange Dia. (mm)
71	175107.00	84	1	70	6	85	105
80	175109.00	84	1	80	6	100	120
90S/90L	175129.00	84	1	95	6	115	140
100L/112M	175130.00	206	2	110	6	130	160

Specifications are subject to change without notice



DC Motors

Metric (IEC) Frame - SCR Rated



*For overall length, see motor listing.

IEC Frame Dimensions (Millimeters)

IEC Frame	Mounting					Shaft					B14 Face/B5 Flange					General				
	2E	2F	BA	D	H	U	AH	KEY	S	R	TAP	AJ	AK	BD	BF	BB	AB	XP	B	O
56	90	71	36	56	6	9	20	15	3	7.0	M3	65	50	80	M5	2.5	83	96	90	99
63	100	80	40	63	7	11	23	19	4	9.0	M4	75	60	90	M5	3.0	116	96	96	108
71	112	90	45	71	7	14	30	26	5	11.5	M5	85	70	105	M6	3.5	114	130	105	132
80	125	100	50	80	10	19	40	33	6	16.0	M6	100	80	120	M6	3.5	124	149	127	151
90S	140	100	56	90	10	24	50	36	8	20.5	M8	115	95	140	M8	3.5	135	182	152	173
90L	140	125	56	90	10	24	50	36	8	20.5	M8	115	95	140	M8	3.5	135	182	152	173
100L	160	140	63	100	12	28	60	41	8	24.5	M10	130	110	160	M8	4.0	135	182	176	173
112M	190	140	70	112	12	28	60	41	8	24.5	M10	130	110	160	M8	4.0	162	231	176	225

↔ Without face or flange AH shaft dimension is 12mm longer.

Specifications are subject to change without notice



- Pump Motors
- Washguard Motors
- Agricultural Duty Motors
- HVAC / Fan Motors
- Special Voltage Motors
- Definite Purpose Motors
- Brake Motors
- IEC Motors
- DC Motors

DC Motors

NEMA® Frame - Low Voltage 12, 24, 36 & 48 VOLTS

General Specifications:

- Low voltage PMDC design suitable for battery, solar powered or generator supplied low voltage applications

Features:

- Oversized brushes for long life
- External access to brushes allows for easy replacement further prolonging motor life
- Heavy-duty, stamped steel, bolt on base (removable)
- NEMA® C face mounting flange at no additional cost
- High strength rolled steel frame
- Rugged die cast endshields with steel bearing inserts
- Permanently lubricated sealed ball bearings
- Convert to NEMA 48 frame base dimensions or NEMA 42/48 frame C face dimensions with modification kits shown below
- High starting torques for heavy load applications
- Linear speed torque characteristics throughout the speed range
- Capable of dynamic braking for faster stops
- Reversible rotation
- Simple two lead connection



12, 24, 36 & 48 Volts - TENV / TEFC - C Face With Removable Base

HP	Full Load RPM	NEMA Frame	Catalog Number	Stock	List Price	Model Number	App. Wgt. (lbs)	Arm. Volts DC	F.L. Amps DC	"C" Dim. (Inches)	♥Notes
1/4	1800	S56C	108045.00	√	713	4D17NK5	21	12	21.0	10.27	S, US, 12, 15
1/3	1800	S56C	108046.00	√	784	4D17NK6	24	12	27.0	10.77	S, US, 12, 15
1/3	1800	S56C	108050.00	√	751	4D17NK9	22	24	13.5	10.77	S, US, 12, 15
1/2	1800	S56C	108047.00	√	816	4D17NK7	29	12	39.0	11.77	S, US, 12, 15
1/2	1800	S56C	108051.00	√	778	4D17NK10	29	24	20.0	11.77	S, US, 12, 15
1/2	1800	SS56C	098381.00	√	741	42D18FK6	29	36	13.5	10.81	S, US
1/2	1800	SS56C	098382.00	√	716	42D18FK7	29	48	11.0	10.81	S, US
3/4	1800	S56C	108048.00	√	899	4D17FK7	30	12	58.0	13.82	S, US, 35
3/4	1800	S56C	108052.00	√	815	4D17FK8	30	24	29.0	12.82	S, US
1	1800	S56C	108322.00	√	1,072	4D17FK28	39	12	80.0	13.81	S, US, 35
1	1800	S56C	108053.00	√	987	4D17FK9	37	24	39.0	13.82	S, US, 35
1	1800	S56C	109101.00	√	946	4D18FK1	37	36	25.5	13.81	S, US
1	1800	S56C	109102.00	√	912	4D18FK2	37	48	18.5	13.81	S, US
1 1/2	1800	S56CZ	109103.00	√	1,440	4D18FK3	39	24	60.0	15.25	S, US, 35, 9
1 1/2	1800	S56CZ	109104.00	√	1,422	4D18FK4	37	36	36.0	17.38	S, US, 35, 9
1 1/2	1800	S56CZ	109105.00	√	1,373	4D18FK5	37	48	27.0	17.38	S, US, 35, 9
2	1800	S56CZ	109106.00	√	1,803	4D18FK6	42	24	70.0	16.74	S, US, 35, 9
2	1800	S56CZ	109107.00	√	1,667	4D18FK7	42	36	49.0	16.74	S, US, 35, 9
2	1800	S56CZ	109108.00	√	1,602	4D18FK8	42	48	38.0	16.74	S, US, 35, 9

If base is removed, do not reinstall bolts without using washers to compensate for thickness of base.

♥ Note listing on inside back flap Specifications are subject to change without notice

Note 12 - TENV

Note 15 - Built in conduit box

Note 35 - Terminal studs at 12:00



General Specifications:

- Extended life in wet, high humidity applications - IP55
- Design repels water from entering motor
- Internal components protected against rust and corrosion
- Frame, base, end shields, armature and interior components protected by enamel and polyester compounds of outstanding adhesion and resistance to moisture, acids, alkalies and oil

Features:

- 303 stainless steel shaft resist corrosion
- Lubricated spring loaded contact seals prevent moisture from entering the motor
- Patented "V" ring forsheda seal deflects water
- Double sealed, oversize bearings with high temp lubricant
- Exterior and interior components protected against moisture, acids, alkalies and oil
- TENV designs have built in conduit box. Motor 109301.00 has terminal box. Other TEFC models utilize watertight terminal posts
- 304 stainless steel conduit box cover and fan cover
- Re-positionable drain plugs for use in multiple mounting positions
- Nylon seals at bolt heads for superior sealing
- Machined fits throughout
- Stainless steel data plate
- Chemically inert, static free fan on TEFC designs with positive mounting ensures it won't move
- Stainless steel fan guard
- USDA approved white epoxy finish

DC - Low Voltage Rated 12 & 24 Volts - IP55- C Face with Removable Base

HP	Full Load RPM	NEMA Frame	Catalog Number	Stock	List Price	Model Number	App. Wgt. (lbs)	Arm. Volts DC	FL. Amps DC	"C" Dim. (Inches)	♥Notes
1/4	1800	S56C	109296.00	√	854	C4D18VK37	23	12	21.0	10.27	S, US, 12
1/3	1800	S56C	109297.00	√	903	C4D18VK38	26	12	27.0	10.77	S, US, 12
1/2	1800	S56C	109298.00	√	1,013	C4D18VK39	38	12	39.0	11.77	S, US, 12
1/2	1800	S56C	109299.00	√	983	C4D18VK40	43	24	20.0	11.77	S, US, 12
3/4	1800	S56C	109300.00	√	1,229	C4D18WK16	53	12	58.0	13.82	S, US, 13
3/4	1800	S56C	109301.00	√	1,197	C4D18WK17	50	24	29.0	12.82	S, US, 13
1	1800	S56C	109302.00	√	1,497	C4D18WK18	45	12	80.0	13.81	S, US, 13
1	1800	S56C	109303.00	√	1,453	C4D18WK19	42	24	39.0	13.82	S, US, 13
1 1/2	1800	S56CZ	109304.00	√	1,913	C4D18WK20	50	24	60.0	15.25	S, US, 13

Note 12 - TENV
Note 13 - TEFC

♥ Note listing on inside back flap
Specifications are subject to change without notice



DC Motors

Low Voltage - DC Metric - IP54



General Specifications:

- Built to IEC 34-1 electrical and mechanical standards
- IEC 63 and smaller frames supplied with an integral B5 Flange or B14 face
- Optional B3 Rigid base kit available
- IEC 71 frame and larger can be field modified for B3 Rigid Base, B5 Flange, or B14 face construction using conversion kits
- Tachometer mounting kits available for 71 frames only

Features:

- Terminal board provided for connections
- All Mmetric fasteners
- Easy brush access for field service
- Oversize brushes for extended life
- High strength rolled steel frame
- Die cast aluminum endshields with steel bearing inserts
- Permanently lubricated sealed ball bearings
- Reversible rotation
- Simple 2 lead connection
- Convenient wiring access
- Tachometer mounting kits available for 71 frames only



24 Volt - TEFC/TENV - Modular Design

kW/HP	Full Load RPM	IEC Frame	Catalog Number	Stock	List Price	Model Number	App. Wgt. (lbs)	DC Voltage	F.L. Amps DC	"C" Dim. (Inches)	♥Notes
0.06/1/12	3000	56	M1110025.00	√	388	980.543	5	24	3.3	5.34	S, US, 12,>
0.06/1/12	1800	56	M1110026.00	√	437	980.544	6	24	3.4	6.34	S, US, 12,>
0.18/1/4	3000	63	M1130206.00	√	494	CIM34D30FD2	13	24	11	7.75	S, US, ♣
0.18/1/4	3000	63	M1130296.00	√	494	CIM34D30FC7	9	24	11	7.75	S, US, >
0.18/1/4	1800	63	M1130207.00	√	565	CIM34D18FD6	13	24	10	8.75	S, US, ♣
0.18/1/4	1800	63	M1130297.00	√	565	CIM34D18FC10	9	24	10	8.75	S, US, >
0.18/1/4	1800	71	098065.00	√	677	42D17FT6	19	24	11	10.77	S, US
0.37/1/2	3000	71	098066.00	√	700	42D34FT7	23	24	20	11.27	S, US
0.37/1/2	1800	71	098067.00	√	741	42D17FT7	23	24	20	12.27	S, US
0.75/1	3000	80	108456.00	√	814	4D34FT5	33	24	40	14.14	S, US, 35
0.75/1	1800	80	108455.00	√	951	4D17FT6	52	24	39	14.64	S, US, 35
1.1/11/2	3000	80	108457.00	√	903	4D34FT6	33	24	65	15.64	S, US, 35
1.5/2	3000	80	108458.00	√	1,039	4D34FT7	43	24	78	17.14	S, US, 35

IMPORTANT: IEC 71 and 80 frame motors in this chart are round body and require either B14 face, B5 flange or B3 foot from kits shown on page 314.

♥ Note listing on inside back flap
Specifications are subject to change without notice

Note 12 - TENV
Note 35 - Terminal bolts at 12:00
Note ♣ - Dedicated B5 Flange
Note > - Dedicated B14 Face



Pump Motors
Washguard Motors
Agricultural Duty Motors
HVAC / Fan Motors
Special Voltage Motors
Definite Purpose Motors
Brake Motors
IEC Motors
DC Motors

General Specifications:

- Low voltage PMDC design suitable for battery, solar powered or generator supplied low voltage applications

Features:

- Compact, space saving design
- Standard conduit box simplifies connections
- Ball bearing construction
- Long life brushes
- External access to brushes allows for easy replacement further prolonging motor life
- High starting torques
- Linear speed torque characteristics throughout the speed range
- Capable of dynamic braking for faster stops
- Reversible rotation
- Simple two lead connection
- Class F insulated with high temperature welded commutators



12 & 24 Volts - TENV - Square Flange

HP	Full Load RPM	Frame	Catalog Number	Stock	List Price	Model Number	App. Wgt. (lbs)	Arm. Volts DC	FL. Amps DC	♥Notes
1/20	1750	25CS	M1110006.00	√	282	980.536	3	12	4.4	S, US, *
1/10	4200	25CS	M1110006.00	√	282	980.536	3	24	4.4	S, US, *
1/14	1750	31AS	M1120040.00	√	331	M31D17NZ6	4	12	7.7	S, US
1/7	4200	31AS	M1120040.00	√	331	M31D17NZ6	4	24	7.7	S, US
1/7	1750	31ES	M1120044.00	√	437	M31D17NZ10	9	12	13.0	S, US
1/4	3500	31ES	M1120044.00	√	437	M31D17NZ10	9	24	13.0	S, US
1/6	1750	31GS	M1120046.00	√	463	M31D17NZ26	8	12	14.0	S, US
1/3	3900	31GS	M1120046.00	√	463	M31D17NZ26	8	24	14.0	S, US

These motors may be operated at 12, 24V, or at intermediate voltages between 12 and 24V, within horsepower ranges noted.

♥ Note listing on inside back flap
Specifications are subject to change without notice

Note * - Provision for optional conduit box - M1760000.00

DC Motors

Low Voltage Commercial Duty Metric (IEC) Frame Motors



Features:

- Specially designed low voltage DC for use in OEM applications
- Combination of features and low cost make these ideal for many uses
- IP44 (TENV) enclosure
- Dedicated B14 face mount
- Continuous duty



12, 24V & 90 Volt - TENV - B14 Mount

HP	Full Load RPM	IEC Frame	Catalog Number	Stock	List Price	Model Number	App. Wgt. (lbs)	Arm. Volts DC	FL. Amps DC	♥Notes
1/15	3000	56	980.159	√	198	980.159	2.3	12	6.4	S, US
1/15	3000	56	980.143	√	198	980.143	2.3	24	3.2	S, US
1/15	3000	56	980.549	√	189	980.549	2.3	90	0.8	S, US
1/8	3000	56	970.600	√	228	970.600	3.0	12	12.0	S, US
1/8	3000	56	970.601	√	228	970.601	3.0	24	5.3	S, US
1/8	3000	56	970.576	√	228	970.576	3.0	90	1.2	S, US
1/6	3000	56	970.620	√	247	970.620	3.5	12	13.1	S, US
1/6	3000	56	970.621	√	247	970.621	3.5	24	6.8	S, US
1/6	3000	56	970.577	√	235	970.577	3.5	90	1.6	S, US

♥ Note listing on inside back flap
Specifications are subject to change without notice



DC Motors - Washguard® Motors

NEMA® and IEC Washguard® IP55
All-Stainless DC Motors - SCR Rated

Pump
Motors

Washguard
Motors

Agricultural
Duty Motors

HVAC / Fan
Motors

Special Voltage
Motors

Definite
Purpose Motors

Brake Motors

IEC Motors

DC Motors

TEFC - SCR Rated 90 & 180V - NEMA - C Face With Base

HP	Full Load RPM	NEMA Frame	Catalog Number	Stock	List Price	Model Number	App. Wgt. (lbs)	Arm. Volts DC	Control Volts AC Input	FL. Amps DC	"C" Dim. (Inches)	♥Notes
1/4	1750	S56C	109065.00	√	1,420	4D17VK24	38	90	115	3.1	11.81	S, US, 12
1/3	1750	S56C	109066.00	√	1,501	4D17VK25	44	90	115	3.8	12.81	S, US, 12
1/3	1750	S56C	109067.00	√	1,501	4D17VK26	44	180	230	1.9	12.81	S, US, 12
1/2	1750	S56C	109069.00	√	1,754	4D17WK9	46	90	115	5.2	13.87	S, US, 13
1/2	1750	S56C	109070.00	√	1,754	4D17WK10	46	180	230	2.7	13.87	S, US, 13
3/4	1750	S56C	109072.00	√	2,136	4D17WK13	47	90	115	7.5	15.37	S, US, 13
3/4	1750	S56C	109073.00	√	2,136	4D17WK14	48	180	230	3.7	15.37	S, US, 13
1	1750	S56C	109075.00	√	2,478	4D17WK16	51	90	115	9.5	16.37	S, US, 13
1	1750	S56C	109076.00	√	2,478	4D17WK17	50	180	230	5.0	16.37	S, US, 13

Base is welded to frame and not removable
Note 12 - TENV
Note 13 - TEFC

♥ Note listing on inside back flap
Specifications are subject to change without notice



TEFC - SCR Rated 90 & 180V - NEMA - C Face Less Base

HP	Full Load RPM	NEMA Frame	Catalog Number	Stock	List Price	Model Number	App. Wgt. (lbs)	Arm. Volts DC	Control Volts AC Input	FL. Amps DC	"C" Dim. (Inches)	♥Notes
1/4	1750	S56C	109078.00	√	1,386	4D17VC5	38	90	115	3.1	11.81	S, US, 12
1/3	1750	S56C	109079.00	√	1,468	4D17VC6	44	90	115	3.8	12.81	S, US, 13
1/3	1750	S56C	109080.00	√	1,468	4D17VC7	44	180	230	1.9	12.81	S, US, 13
1/2	1750	S56C	109082.00	√	1,722	4D17WC2	46	90	115	5.2	13.87	S, US, 13
1/2	1750	S56C	109083.00	√	1,722	4D17WC3	46	180	230	2.7	13.87	S, US, 13
3/4	1750	S56C	109085.00	√	2,103	4D17WC5	47	90	115	7.5	15.37	S, US, 13
3/4	1750	S56C	109086.00	C/A	2,103	4D17WC6	48	180	230	3.7	15.37	S, US, 13
1	1750	S56C	109088.00	√	2,447	4D17WC8	51	90	115	9.5	16.37	S, US, 13
1	1750	S56C	109089.00	√	2,447	4D17WC9	50	180	230	5.0	16.37	S, US, 13

C/A - Check Availability
Note 12 - TENV
Note 13 - TEFC

♥ Note listing on inside back flap
Specifications are subject to change without notice

DC Motors - Washguard® Motors

Metric (IEC) Frame PMDC Motors IP55



Pump Motors

Washguard Motors

Agricultural Duty Motors

HVAC / Fan Motors

Special Voltage Motors

Definite Purpose Motors

Brake Motors

IEC Motors

DC Motors

TEFC - SCR Rated 90 & 180V - All Stainless Steel - C Face With Base

HP/kW	Full Load RPM	IEC Frame	Catalog Number	Stock	List Price	Model Number	App. Wgt. (lbs)	Arm. Volts DC	Control Volts AC Input	F.L. Amps DC	"C" Dim. (Inches)	♥Notes
1/3 - 0.25	1750	80D	109068.00	√	1,501	4D17VK27	44	180	230	1.9	12.81	S, US, 12
1/2 - 0.37	1750	80D	109071.00	√	1,754	4D17WK11	46	180	230	2.7	13.87	S, US, 13
3/4 - 0.55	1750	80D	109074.00	√	2,136	4D17WK15	48	180	230	3.7	15.37	S, US, 13
1 - 0.75	1750	80D	109077.00	√	2,478	4D17WK18	50	180	230	5.0	16.37	S, US, 13

Base is welded to frame and not removable

Note 12 - TENV

Note 13 - TEFC

♥ Note listing on inside back flap

Specifications are subject to change without notice

TEFC - SCR Rated 90 & 180V - Metric (IEC) - All-Stainless Steel - C Face Less Base

HP/kW	Full Load RPM	IEC Frame	Catalog Number	Stock	List Price	Model Number	App. Wgt. (lbs)	Arm. Volts DC	Control Volts AC Input	F.L. Amps DC	"C" Dim. (Inches)	♥Notes
1/3 - 0.25	1750	80D	109081.00	√	1,468	4D17VC8	44	180	230	1.9	12.81	S, US, 12
1/2 - 0.37	1750	80D	109084.00	√	1,722	4D17WC4	46	180	230	2.7	13.87	S, US, 13
3/4 - 0.55	1750	80D	109087.00	√	2,103	4D17WC7	48	180	230	3.7	15.37	S, US, 13
1 - 0.75	1750	80D	109090.00	√	2,447	4D17WC10	50	180	230	5.0	16.37	S, US, 13

Note 12 - TENV

Note 13 - TEFC

♥ Note listing on inside back flap

Specifications are subject to change without notice

Flange And Face Kits for DC Metric (IEC) Frame Motors

The modular design concept of LEESON's other metric DC motors has been applied to the all-stainless metric motors. Any flange or face kit can mount on any motor. This allows the greatest flexibility from the smallest inventory of motors.

B5 Flange Kits (For Stainless DC Metric Motors)

IEC Frame	Catalog Number	List Price	App. Wgt. (lbs)	BD Flange Dia. (mm)	AK Register (mm)	BF Hole (mm)	AJ Bolt Circle (mm)
71	175593.00	189	2	110	9	130	160
80	175594.00	228	3	130	12	165	200
90S/90L	175594.00	228	3	130	12	165	200
100L/112M	175595.00	356	5	180	15	215	250

B14 Flange Kits (For Stainless DC Metric Motors)

IEC Frame	Catalog Number	List Price	App. Wgt. (lbs)	BD Flange Dia. (mm)	AK Register (mm)	BF Hole (mm)	AJ Bolt Circle (mm)
71	175596.00	144	1	70	6	85	105
80	175597.00	144	1	80	6	100	120
90S/90L	175598.00	392	1	95	6	115	140
100L/112M	175599.00	356	2	110	6	130	160



DC Motor Trouble-Shooting Chart

Pump Motors

Washguard Motors

Agricultural Duty Motors

HVAC / Fan Motors

Special Voltage Motors

Definite Purpose Motors

Brake Motors

IEC Motors

DC Motors

⚠ CAUTION

Indicates a hazardous situation which, if not avoided, could result in minor or moderate injury. Failure to follow the 4 steps listed below could result in damage to equipment or personal injury.

1. Disconnect power to the motor before performing service or maintenance.
2. Discharge all capacitors before servicing motor.
3. Keep hands and clothing away from moving parts.
4. Check that required safety guards are in place before starting equipment.

Problem	Likely Causes	What To Do
Motor fails to start upon initial installation.	Motor is miswired.	Verify that the motor is wired correctly.
	No output power from controller.	Measure voltage coming from the controller.
	Motor damaged and the fan guard is contacting the cooling fan.	Replace fan guard.
	Motor damaged and the armature is rubbing against the magnets.	Disassemble motor and see if the armature can be realigned by reassembly. Motor may have to be replaced.
Motor runs in the wrong direction.	Incorrect wiring.	Interchange the two motor leads.
Motor runs ok but has a clicking noise.	Suspect a burr on the commutator.	Stone the armature commutator with a commutator stone to remove burr.
Motor has been running, then fails to start.	Fuse or circuit breaker is tripped	Replace the fuse or reset the breaker
	Armature is shorted or went to ground. Motor may make a humming noise and the circuit breaker or fuse will trip.	Disassemble motor and inspect the armature for a burnt coil. Inspect the commutator for burnt bars. If this condition exists, the motor needs to be replaced. To test, set your OHM to the RX1 scale, touch probes to bars 180 degrees apart all around the commutator. The reading should be equal.
	The brushes may be worn down too far and no longer make contact with the commutator.	Inspect the brushes to make sure that they are still making contact with the commutator. Refer to manufacturer's recommended brush length chart.
Motor runs but loses power.	Load has increased.	Verify the load has not changed. Measure the amp draw of motor against the full load amp rating of the motor. If the amp draw is higher than rating, motor is undersized for application.
	Motor controller not properly set.	Check controller manual for adjustments. The torque and/or IR compensation settings may need adjustment.
	Motor may have an open connection.	Inspect the armature for an open connection.
	Brushes may not be seated properly or worn beyond their useful length.	Verify that the brushes are properly seated and measure their length against the recommended brush length chart.
Motor takes too long to accelerate.	Motor controller not properly set.	The accel trim pot of the controller should be adjusted.
	Brushes are worn.	Verify brush length.
	Bearings may be defective.	Inspect bearings for proper service. Noisy or rough bearings should be replaced.



Gearmotors

Quick Reference – Stock Sub-FHP Gearmotors

		AC Single & Three Phase	DC SCR & Low Voltage
	Parallel Shaft PZ Series Gearmotors	Single Phase 115V 12-100 In-Lbs Output Torque Page 346	DC SCR 90 & 180V 10-100 In-Lbs Output Torque Low Voltage (12V) 36-100 In-Lbs torque Page 326
BODINE/BISON/DAYTON DIRECT INTERCHANGE			
	P240 & P300 Series Gearmotors	Single Phase 115/230V 43-391 In-Lbs Output Torque Page 348	DC SCR 90 & 180V 27-353 In-Lbs Output Torque Low Voltage (12V) 113-353 In-Lbs torque Page 328
BISON/DAYTON DIRECT INTERCHANGE			
	OS300 Series Gearmotors		DC SCR 90V and Low Voltage (12V) Output Torque 130-268 In-Lbs Page 330
	PE350 Series Gearmotors	Single Phase 115/230V 25-341 In-Lbs Output Torque Three Phase 230/460V 55-320 In-Lbs Output Torque Page 350	DC SCR 90 & 180V 25-371 In-Lbs Output Torque Low Voltage (12V) 155-341 In-Lbs torque Page 332
BODINE DIRECT INTERCHANGE			
	P1100 Series Gearmotors	Single Phase 115/230V 70-1105 In-Lbs Output Torque Three Phase 230/460V 70-1105 In-Lbs Output Torque Page 352	DC SCR 90V 105-1112 In-Lbs Output Torque Low Voltage (12V) 320-1087 In-Lbs torque Page 334
BISON/DAYTON DIRECT INTERCHANGE			
	Right-Angle Worm Type 10 & 13 Series Gearmotors	Single Phase 115/230V 14-113 In-Lbs Output Torque Page 354	DC SCR 90 & 180V 5-135 In-Lbs Output Torque Low Voltage (12V) 25-135 In-Lbs torque Page 336
BODINE/DAYTON DIRECT INTERCHANGE			
	Bravo® Right Angle Worm Type 12 Series Gearmotors		DC SCR 90V and Low Voltage (12V) Output Torque 46-134 In-Lbs Page 338

Bison is believed to be the trademark or trade name of Bison Gear & Engineering Corporation.

Bodine is believed to be the trademark or trade name of Bodine Electric Corporation.

Dayton is a trademark or trade name of Dayton Electric Manufacturing. All Rights Reserved.





P300 Series Gearmotors

DC SCR 90V and Low Voltage (12V)
Output Torque
44-353 In-Lbs
Page 340



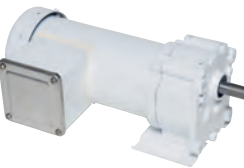
PE350 Series Gearmotors

DC SCR 90V and Low Voltage (12V)
Output Torque
25-341 In-Lbs
Page 342



Right-Angle 13 Series Gearmotors

DC SCR 90V and Low Voltage (12V)
Output Torque
50-135 In-Lbs
Page 344



P240 Series Gearmotors

AC – Single Phase & Three Phase Washdown Duty
60-391 In-Lbs
Output Torque
Page 349

**BISON/DAYTON
DIRECT INTERCHANGE**



Right-Angle Worm Type 10 & 13 Series Gearmotors

AC – Single Phase & Three Phase Washdown Duty
23-220 In-Lbs
Output Torque
Page 355

**BODINE/DAYTON
DIRECT INTERCHANGE**

Stock Sub-FHP Three Phase Inverter Rated Gearmotors



Includes gearmotor series PZ, P240, PE350 and 13 series right-angle

Three Phase 230V
12-391 In-Lbs
Output Torque
Page 358

Bison is believed to be the trademark or trade name of Bison Gear & Engineering Corporation.

Bodine is believed to be the trademark or trade name of Bodine Electric Corporation.

Dayton is a trademark or trade name of Dayton Electric Manufacturing. All Rights Reserved.



Gearmotors

Parallel Shaft - PZ Series - DC

SCR Rated - 10-100 In-Lbs Torque

Low Voltage - 36-100 In-Lbs Torque



General Specifications - SCR Rated Gearmotors:

- Performance matched for continuous duty service over 60:1 speed range
- Constant torque throughout the range when powered by a full-wave unfiltered SCR-type adjustable speed control having a typical form factor of 1.3 to 1.4

General Specifications - Low Voltage Gearmotors:

- Performance matched for continuous duty service
- Designed for battery power or can be used with a low voltage controller with form factor up to 1.05

Features:

- Precision machined in-line steel gears
- First stage steel helical gear followed by spur-type gears
- Lubrication is permanent semi-fluid grease, reducing possibility of leakage
- Output shafts have needle bearings for high load capacities
- Shafts are hardened steel
- Optional conduit box and PZ gearmotor mounting bracket available, see page 356.

Application Notes:

- These gearmotors are designed for mounting at any angle, but motor below the reducer should be avoided to prevent leakage of lubricant into the motor should the motor shaft seal fail
- Motor's stall torque could exceed recommended full load torques. A current limiting device such as an SCR control should be used to prevent damage. This issue is even more critical for low voltage motors, typically no controller is used since motor is connected directly to a battery, so some type of current limit or fusing should be considered
- Overhung load capacities shown are at center of output shaft
- Model PZ gearmotors have the same mounting dimensions as Bodine model D and Z, Baldor/Boehm, Bison 100 gearmotors, and a number of Dayton gearmotors
- For additional information, see Bulletin 1830
- **Bodine/Baldor/Boehm/Bison/Dayton direct interchange**

Baldor and Boehm are believed to be the trademarks or trade names of ABB ASEA Brown Boveri Ltd.

Bison is believed to be the trademark or trade name of Bison Gear & Engineering Corporation.

Bodine is believed to be the trademark or trade name of Bodine Electric Corporation.

Dayton is a trademark or trade name of Dayton Electric Manufacturing. All Rights Reserved.



SCR Rated - 10-100 In-Lbs Torque
Low Voltage - 36-100 In-Lbs Torque

90 & 180 Volts - TENV - PZ Series

Output RPM	FL. Torque (Lb In.)	Input HP	Catalog Number	Stock	List Price	Model Number	Gearmotor Type & Frame	Ratio to 1	Arm. Volts DC	FL. Amps DC	Over-hung Load (lb.)	Dimensions (inches)				♥Notes
												P	X	XL	XH	
4	40	1/40	M1115002.00	√	542	985.620	PZ5-30A	450	90	0.5	155	3.00	3.25	9.28	7.72	S, US
4	40	1/40	M1125046.00	√	542	985.623	PZ5-30A	450	180	0.2	155	3.00	3.25	9.30	7.74	S, US
10	100	1/20	M1115001.00	√	542	985.621	PZ4-30E	180	90	0.5	155	3.00	3.25	9.28	7.72	S, US
19	100	1/20	M1125047.00	C/A	542	985.624	PZ4-30A	180	180	0.3	155	3.00	3.25	9.30	7.74	S, US
20	100	1/20	M1115000.00	√	542	985.622	PZ4-30E	90	90	0.5	155	3.00	3.25	9.28	7.72	S, US
20	100	1/20	M1125048.00	C/A	542	985.625	PZ4-30A	90	180	0.3	155	3.00	3.25	9.30	7.74	S, US
30	100	1/17	M1125002.00	√	590	985.627	PZ3-30B	60	90	0.8	155	3.00	2.68	8.74	7.18	S, US
30	100	1/17	M1125037.00	√	590	985.635	PZ3-30B	60	180	0.4	155	3.00	2.68	8.74	7.18	S, US
60	56	1/17	M1125003.00	√	590	985.628	PZ3-30B	30	90	0.8	171	3.00	2.68	8.74	7.18	S, US
60	56	1/17	M1125036.00	√	590	985.634	PZ3-30B	30	180	0.4	171	3.00	2.68	8.74	7.18	S, US
100	36	1/17	M1125004.00	√	590	985.626	PZ3-30B	18	90	0.8	171	3.00	2.68	8.74	7.18	S, US
100	36	1/17	M1125035.00	√	590	985.631	PZ3-30B	18	180	0.4	171	3.00	2.68	8.74	7.18	S, US
150	24	1/17	M1125005.00	√	560	985.629	PZ2-30B	12	90	0.8	180	3.00	2.40	8.46	6.9	S, US
150	24	1/17	M1125034.00	√	560	985.633	PZ2-30B	12	180	0.4	180	3.00	2.40	8.46	6.9	S, US
300	10	1/17	M1125006.00	√	560	985.630	PZ2-30B	6	90	0.8	180	3.00	2.40	8.46	6.9	S, US
300	10	1/17	M1125033.00	√	560	985.632	PZ2-30B	6	180	0.4	180	3.00	2.40	8.46	6.9	S, US

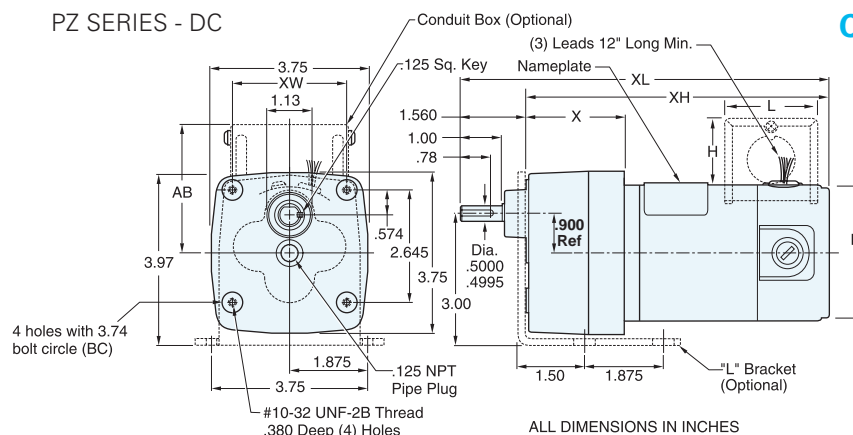
C/A - Check Availability

♥ Note listing on inside back flap
Specifications are subject to change without notice

12 Volts - TENV - PZ Series

Output RPM	FL. Torque (Lb In.)	Input HP	Catalog Number	Stock	List Price	Model Number	Gearmotor Type & Frame	Ratio to 1	Arm. Volts DC	FL. Amps DC	Over-hung Load (lb.)	Dimensions (inches)				♥Notes
												P	X	XL	XH	
10	100	1/20	M1125213.00	√	600	985.653	PZ4-30	180	12	2.7	155	3.00	3.25	9.28	7.72	S, US
30	100	1/17	M1125214.00	√	637	985.654	PZ3-30	60	12	5.2	155	3.00	2.68	8.74	7.18	S, US
55	56	1/17	M1125215.00	C/A	637	985.655	PZ3-30	30	12	5.6	171	3.00	2.68	8.74	7.18	S, US

C/A - Check Availability



Conduit Box Dimensions (IN)

Frame	XW	AB	H	L
30/31	2.63	3.47	1.90	3.13

Gearmotors

Parallel Shaft - P300 Series - DC

SCR Rated - 27-353 In-Lbs. Torque

Low Voltage - 113-353 In-Lbs Torque



General Specifications - SCR Rated Gearmotors:

- Performance matched for continuous duty service over 60:1 speed range
- Constant torque throughout the range when powered by a full-wave unfiltered SCR-type adjustable speed control having a typical form factor of 1.3 to 1.4

General Specifications - Low Voltage Gearmotors:

- Performance matched for continuous duty service
- Designed for battery power or can be used with a low voltage controller with form factor up to 1.05

Features:

- Precision machined in-line steel gears
- First stage steel helical gear followed by spur-type gears
- Lubrication is permanent semi-fluid grease, reducing possibility of leakage
- Output shafts have needle bearings for high load capacities
- Shafts are hardened steel
- Optional conduit box available, see page 356

Application Notes:

- These gearmotors are designed for mounting at any angle, but motor below the reducer should be avoided to prevent leakage of lubricant into the motor should the motor shaft seal fail
- Motor's stall torque could exceed recommended full load torques. A current limiting device such as an SCR control should be used to prevent damage. This issue is even more critical for low voltage motors, typically no controller is used since motor is connected directly to a battery, so some type of current limit or fusing should be considered
- Overhung load capacities shown are at center of output shaft
- For additional information, see Bulletin 1830
- **Bison/Dayton direct interchange**

SCR Rated - 27-353 In-Lbs. Torque
Low Voltage - 113-353 In-Lbs Torque

90 & 180 Volts - TENV - P300 Series

Output RPM	FL. Torque (Lb In.)	Input HP	Catalog Number	Stock	List Price	Model Number	Gearmotor Type & Frame	Ratio to 1	Arm. Volts DC	FL. Amps DC	Over-hung Load (lb.)	Dimensions (inches)				♥Notes
												P	X	XL	XH	
5	353	1/20	M1115024.00	√	777	985.602	P303-30E	336	90	0.5	565	3.00	3.54	10.07	8.57	S, US
9	268	1/20	M1115025.00	√	777	985.603	P303-30E	216	90	0.5	474	3.00	3.54	10.07	8.57	S, US
18	150	1/20	M1115026.00	√	777	985.604	P303-30E	103	90	0.5	385	3.00	3.54	10.07	8.57	S, US
20	140	1/20	M1125092.00	√	796	985.607	P303-31E	90	180	0.3	370	3.11	3.54	10.07	8.57	S, US
24	280	1/8	M1125069.00	√	796	985.611	P303-30E	76	90	1.3	353	3.00	3.54	11.54	10.04	S, US
31	220	1/8	M1125070.00	√	796	985.612	P303-30E	58	90	1.3	327	3.00	3.54	11.54	10.04	S, US
31	220	1/8	M1125038.00	√	796	985.617	P303-30E	58	180	0.7	327	3.00	3.54	11.54	10.04	S, US
34	82	1/20	M1115027.00	√	777	985.605	P303-30E	52	90	0.5	318	3.00	3.54	10.07	8.57	S, US
51	130	1/8	M1125071.00	√	733	985.615	P302-30E	35	90	1.3	277	3.00	3.54	11.54	10.04	S, US
51	130	1/8	M1125039.00	√	733	985.614	P302-30E	35	180	0.7	277	3.00	3.54	11.54	10.04	S, US
51	55	1/20	M1115028.00	√	715	985.606	P302-30E	35	90	0.5	281	3.00	3.54	10.07	8.57	S, US
61	113	1/8	M1125072.00	√	733	985.610	P302-30E	29	90	1.3	267	3.00	3.54	11.54	10.04	S, US
60	45	1/20	M1125093.00	√	733	985.609	P302-31E	29	180	0.3	267	3.11	3.54	10.07	8.57	S, US
94	77	1/8	M1125073.00	√	733	985.613	P302-30E	19	90	1.3	236	3.00	3.54	11.54	10.04	S, US
94	77	1/8	M1125040.00	√	733	985.618	P302-30E	19	180	0.7	236	3.00	3.54	11.54	10.04	S, US
109	27	1/20	M1115029.00	√	715	985.601	P302-30E	16	90	0.5	224	3.00	3.54	10.07	8.57	S, US
106	26	1/20	M1125094.00	C/A	715	985.608	P302-31E	16	180	0.3	222	3.11	3.54	10.07	8.57	S, US
167	43	1/8	M1125074.00	√	733	985.616	P302-30E	11	90	1.3	197	3.00	3.54	11.54	10.04	S, US
170	43	1/8	M1125041.00	√	733	985.619	P302-30E	11	180	0.7	196	3.00	3.54	11.54	10.04	S, US

C/A - Check Availability

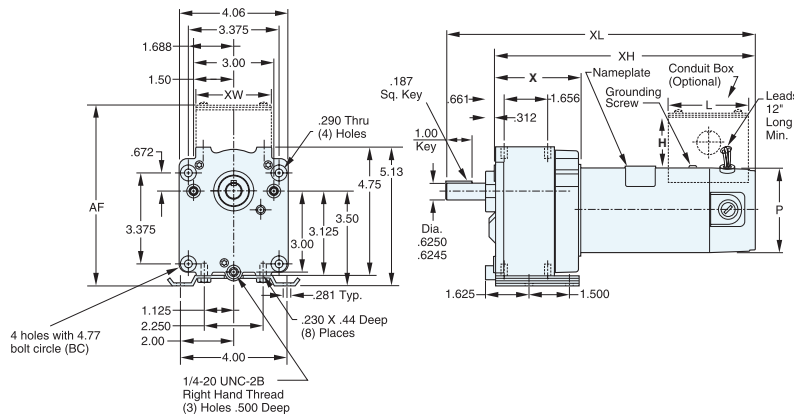
♥ Note listing on inside back flap
Specifications are subject to change without notice

12 Volt - TENV - P300 Series

Output RPM	FL. Torque (Lb In.)	Input HP	Catalog Number	Stock	List Price	Model Number	Gearmotor Type & Frame	Ratio to 1	Arm. Volts DC	FL. Amps DC	Over-hung Load (lb.)	Dimensions (inches)				♥Notes
												P	X	XL	XH	
5	353	1/20	M1125217.00	√	796	985.657	P303-30	336	12	5.6	565	3.00	3.85	10.07	8.57	S, US
31	220	1/8	M1125218.00	√	816	985.658	P303-30	58	12	10.6	327	3.00	3.54	11.54	10.04	S, US
51	130	1/8	M1125219.00	√	750	985.659	P302-30	35	12	10.3	277	3.00	3.23	11.54	10.04	S, US
61	113	1/8	M1125220.00	√	750	985.660	P302-30	29	12	10.4	267	3.00	3.23	11.54	10.04	S, US

♥ Note listing on inside back flap
Specifications are subject to change without notice

P300 SERIES



Conduit Box Dimensions (IN)

Frame	XW	AB	H	L
30/31	2.63	3.47	1.90	3.13

Gearmotors

Off-Set Shaft Gearmotors - OS300 Series - DC

SCR Rated - 130-268 In-Lbs. Torque

Low Voltage - 130-268 In-Lbs. Torque



General Specifications - SCR Rated Gearmotors:

- Performance matched for continuous duty service over 60:1 speed range
- Constant torque throughout the range when powered by a full-wave unfiltered SCR-type adjustable speed control having a typical form factor of 1.3 to 1.4

General Specifications - Low Voltage Gearmotors:

- Performance matched for continuous duty service
- Designed for battery power or can be used with a low voltage controller with form factor up to 1.05

Features:

- Precision machined in-line steel gears
- First stage steel helical gear followed by spur-type gears
- Lubrication is permanent semi-fluid grease, reducing possibility of leakage
- Output shafts have needle bearings for high load capacities
- Shafts are hardened steel
- Optional conduit box available, see page 356

Application Notes:

- These gearmotors are designed for mounting at any angle, but motor below the reducer should be avoided to prevent leakage of lubricant into the motor should the motor shaft seal fail
- Motor's stall torque could exceed recommended full load torques. A current limiting device such as an SCR control should be used to prevent damage. This issue is even more critical for low voltage motors, typically no controller is used since motor is connected directly to a battery, so some type of current limit or fusing should be considered
- Overhung load capacities shown are at center of output shaft

SCR Rated - 130-268 In-Lbs. Torque
Low Voltage - 130-268 In-Lbs. Torque

90 Volts - TENV - OS300 Series

Output RPM	FL. Torque (Lb In.)	Input HP	Catalog Number	Stock	List Price	Model Number	Gearmotor Type & Frame	Ratio to 1	Arm. Volts DC	F.L. Amps DC	Over-hung Load (lb.)	Dimensions (inches)				♥Notes
												P	X	XL	XH	
9	268	1/20	M1125251.00	C/A	655	985.692	OS303-30	210	90	0.5	474	3.00	2.81	4.5	8.52	S, US
19	150	1/20	M1125250.00	√	655	985.691	OS303-30	103	90	0.6	385	3.00	2.81	4.5	8.52	S, US
24	280	1/8	M1125249.00	C/A	672	985.690	OS303-30	76	90	1.3	353	3.00	2.81	6.42	10.45	S, US
31	220	1/8	M1125248.00	√	672	985.689	OS303-30	58	90	1.4	327	3.00	2.81	6.42	10.45	S, US
51	130	1/8	M1125247.00	√	672	985.688	OS303-30	35	90	1.4	277	3.00	2.81	6.42	10.45	S, US

C/A - Check Availability

♥ Note listing on inside back flap
Specifications are subject to change without notice

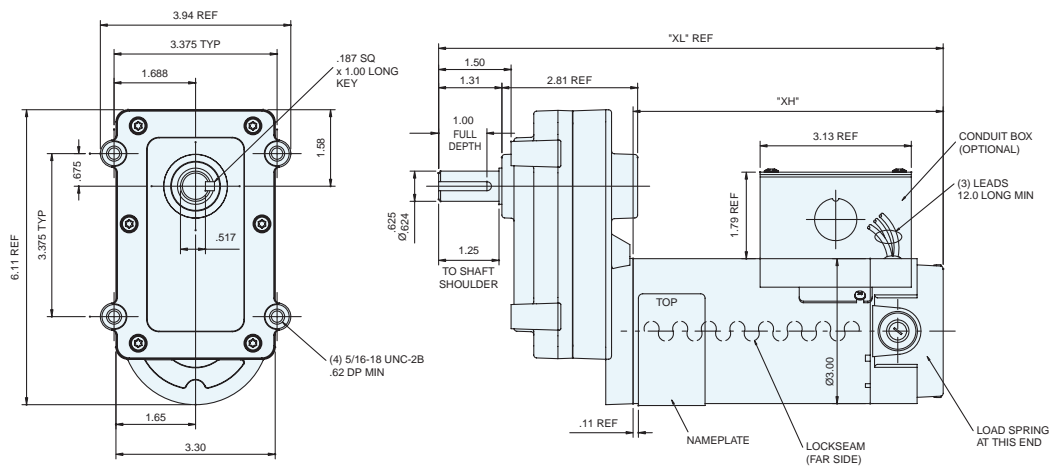
12 Volts - TENV - OS300 Series

Output RPM	FL. Torque (Lb In.)	Input HP	Catalog Number	Stock	List Price	Model Number	Gearmotor Type & Frame	Ratio to 1	Arm. Volts DC	F.L. Amps DC	Over-hung Load (lb.)	Dimensions (inches)				♥Notes
												P	X	XL	XH	
9	268	1/20	M1125256.00	C/A	672	985.697	OS303-30	210	12	4.5	474	3.00	2.81	4.5	8.52	S, US
18	150	1/20	M1125255.00	C/A	672	985.696	OS303-30	103	12	5.0	385	3.00	2.08	4.5	8.52	S, US
24	280	1/8	M1125254.00	C/A	688	985.695	OS303-30	76	12	10.6	353	3.00	2.81	6.42	10.45	S, US
31	220	1/8	M1125253.00	√	688	985.694	OS303-30	58	12	10.6	327	3.00	2.81	6.42	10.45	S, US
51	130	1/8	M1125252.00	√	688	985.693	OS303-30	35	12	10.3	277	3.00	2.81	6.42	10.45	S, US

C/A - Check Availability

♥ Note listing on inside back flap
Specifications are subject to change without notice

OS300 SERIES



ALL DIMENSIONS IN INCHES

Gearmotors

PE350 Series - Parallel Shaft - DC

SCR Rated - 25-371 In-Lbs. Torque

Low Voltage - 155-341 In-Lbs Torque



General Specifications - SCR Rated Gearmotors:

- Performance matched for continuous duty service over 60:1 speed range
- Constant torque throughout the range when powered by a full-wave unfiltered SCR-type adjustable speed control having a typical form factor of 1.3 to 1.4

General Specifications - Low Voltage Gearmotors:

- Performance matched for continuous duty service
- Designed for battery power or can be used with a low voltage controller with form factor up to 1.05

Features:

- Rugged die cast aluminum gear housing for maximum gear and bearing support
- Precision machined gearing, hardened for maximum load capability
- All gearing designed and rated to AGMA class 9 standards, and to withstand momentary shock overload of 200%
- Oversized output bearings for greater overhung load capacity and long life
- High carbon alloy output shaft provides maximum strength and rigidity
- All needle bearing journals are precision ground after heat treating to provide maximum fit and finish
- Heavy duty industrial oil seals keep lubricant in and dirt out
- Gears and bearings are splash lubricated with permanent, heavy duty gear oil
- Optional conduit box available, see page 356

Application Notes:

- These gearmotors are designed for mounting at any angle, but motor below the reducer should be avoided to prevent leakage of lubricant into the motor should the motor shaft seal fail
- Motor's stall torque could exceed recommended full load torques. A current limiting device such as an SCR control should be used to prevent damage. This issue is even more critical for low voltage motors, typically no controller is used since motor is connected directly to a battery, so some type of current limit or fusing should be considered
- Overhung load capacities shown are at center of output shaft
- **Bodine/Baldor direct interchange**

SCR Rated - 25-371 In-Lbs. Torque
Low Voltage - 155-341 In-Lbs Torque

90 & 180 Volts - TENV - PE350 Series

Output RPM	FL. Torque (Lb In.)	Input HP	Catalog Number	Stock	List Price	Model Number	Gearmotor Type & Frame	Ratio to 1	Arm. Volts DC	FL. Amps DC	Over-hung Load (lb.)	Dimensions (inches)		♥Notes
												XL	XH	
7	330	1/8	M1135106.00	√	785	M34D25NZ62	P353-34	336	90	0.7	565	11.31	9.31	S, US
7	330	1/8	M1135139.00	C/A	785	M34D25NZ71	P353-34	336	180	0.4	565	11.31	9.31	S, US
14	341	1/8	M1135107.00	√	785	M34D25NZ61	P353-34	180	90	1.0	465	11.31	9.31	S, US
14	341	1/8	M1135140.00	√	785	M34D25NZ72	P353-34	180	180	0.5	465	11.31	9.31	S, US
21	371	1/4	M1135117.00	√	822	M34D25NZ52	P353-34	124	90	1.1	413	13.31	11.31	S, US
21	371	1/4	M1135141.00	√	822	M34D25NZ73	P353-34	124	180	0.6	413	13.31	11.31	S, US
27	305	1/4	M1135115.00	√	822	M34D25NZ51	P353-34	91	90	1.5	374	13.31	11.31	S, US
27	305	1/4	M1135142.00	√	822	M34D25NZ74	P353-34	91	180	0.8	374	13.31	11.31	S, US
42	280	1/4	M1135108.00	√	822	M34D25NZ53	P353-34	58	90	2.3	327	13.31	11.31	S, US
42	280	1/4	M1135143.00	√	822	M34D25NZ75	P353-34	58	180	1.2	327	13.31	11.31	S, US
50	250	1/4	M1135109.00	√	822	M34D25NZ54	P353-34	50	90	2.3	315	13.31	11.31	S, US
50	250	1/4	M1135144.00	√	822	M34D25NZ76	P353-34	50	180	1.2	315	13.31	11.31	S, US
62	220	1/4	M1135110.00	√	822	M34D25NZ55	P353-34	43	90	2.3	303	13.31	11.31	S, US
62	220	1/4	M1135145.00	√	822	M34D25NZ77	P353-34	43	180	1.2	303	13.31	11.31	S, US
83	155	1/4	M1135114.00	√	777	M34D25NZ57	P352-34	29	90	2.3	267	13.31	11.31	S, US
83	155	1/4	M1135146.00	√	777	M34D25NZ78	P352-34	29	180	1.2	267	13.31	11.31	S, US
125	100	1/4	M1135111.00	√	777	M34D25NZ56	P352-34	23	90	2.0	256	13.31	11.31	S, US
125	100	1/4	M1135147.00	√	777	M34D25NZ79	P352-34	23	180	1.0	256	13.31	11.31	S, US
165	70	1/4	M1135112.00	√	777	M34D25NZ58	P352-34	15	90	2.0	232	13.31	11.31	S, US
165	70	1/4	M1135148.00	√	777	M34D25NZ80	P352-34	15	180	1.0	232	13.31	11.31	S, US
250	45	1/4	M1135116.00	√	777	M34D25NZ60	P352-34	10	90	2.0	201	13.31	11.31	S, US
250	45	1/4	M1135149.00	√	777	M34D25NZ81	P352-34	10	180	1.0	201	13.31	11.31	S, US
500	25	1/4	M1135113.00	√	777	M34D25NZ59	P352-34	5	90	2.0	194	13.31	11.31	S, US
500	25	1/4	M1135150.00	√	777	M34D25NZ82	P352-34	5	180	1.0	194	13.31	11.31	S, US

C/A - Check Availability

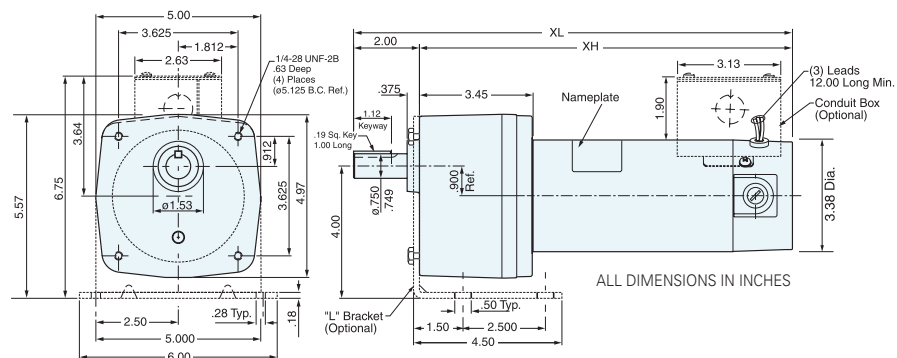
♥ Note listing on inside back flap
Specifications are subject to change without notice

12 Volts - TENV - PE350 Series

Output RPM	FL. Torque (Lb In.)	Input HP	Catalog Number	Stock	List Price	Model Number	Gearmotor Type & Frame	Ratio to 1	Arm. Volts DC	FL. Amps DC	Over-hung Load (lb.)	Dimensions (inches)		♥Notes
												XL	XH	
14	341	1/8	M1135243.00	√	801	M34D25NZ154	P353-34	180	12	8.7	465	11.05	9.05	S, US
42	325	1/4	M1135244.00	√	840	M34D25NZ155	P353-34	58	12	21.0	327	13.31	11.31	S, US
62	220	1/4	M1135245.00	√	840	M34D25NZ156	P353-34	43	12	21.0	303	13.31	11.31	S, US
83	155	1/4	M1135246.00	√	796	M34D25NZ157	P352-34	29	12	21.0	267	13.31	11.31	S, US

♥ Note listing on inside back flap
Specifications are subject to change without notice

PE350 SERIES - DC



Gearmotors

Parallel Shaft - P1100 Series - DC

SCR Rated - 105-1112 In-Lbs. Torque

Low Voltage - 320-1087 In-Lbs. Torque



General Specifications - SCR Rated Gearmotors:

- Performance matched for continuous duty service over 60:1 speed range
- Constant torque throughout the range when powered by a full-wave unfiltered SCR-type adjustable speed control having a typical form factor of 1.3 to 1.4

General Specifications - Low Voltage Gearmotors:

- Performance matched for continuous duty service
- Designed for battery power or can be used with a low voltage controller with form factor up to 1.05

Features:

- Rugged die cast aluminum gear housing for maximum gear and bearing support
- Precision machined gearing, hardened for maximum load capability
- All gearing designed and rated to AGMA class 9 standards, and to withstand momentary shock overload of 200%
- Oversized output bearings for greater overhung load capacity and long life
- High carbon alloy output shaft provides maximum strength and rigidity
- All needle bearing journals are precision ground after heat treating to provide maximum fit and finish
- Heavy duty industrial oil seals keep lubricant in and dirt out
- Gears and bearings are splash lubricated with permanent, heavy duty gear oil
- Conduit box included as standard

Application Notes:

- These gearmotors are designed for mounting at any angle, but motor below the reducer should be avoided to prevent leakage of lubricant into the motor should the motor shaft seal fail
- Motor's stall torque could exceed recommended full load torques. A current limiting device such as an SCR control should be used to prevent damage. This issue is even more critical for low voltage motors, typically no controller is used since motor is connected directly to a battery, so some type of current limit or fusing should be considered
- Overhung load capacities shown are at center of output shaft
- For additional information, see Bulletin 1830
- **Bison/Dayton direct interchange**

SCR Rated - 105-1112 In-Lbs. Torque
Low Voltage - 320-1087 In-Lbs. Torque

90 Volts - Totally Enclosed - Rigid Base - P1100 Series

Output RPM	FL. Torque (Lb In.)	Input HP	Catalog Number	Stock	List Price	Model Number	Gearmotor Type & Frame	Ratio to 1	Arm. Volts DC	FL. Amps DC	Over-hung Load (lb.)	Dimensions (inches)		♥Notes
												XL	XH	
8	1087	1/4	108700.00	√	1,338	4D17NZ17	P1103-48	212	90	2.7	700	14.24	12.74	S, US, 12
12	1030	1/4	108701.00	√	1,338	4D17NZ18	P1103-48	143	90	2.7	700	14.24	12.74	S, US, 12
18	750	1/4	108702.00	√	1,338	4D17NZ19	P1103-48	95	90	2.7	700	14.24	12.74	S, US, 12
42	353	1/4	108703.00	√	1,305	4D17NZ20	P1102-48	42	90	2.7	650	14.24	12.74	S, US, 12
60	238	1/4	108704.00	√	1,305	4D17NZ21	P1102-48	29	90	2.7	625	14.24	12.74	S, US, 12
92	160	1/4	108705.00	√	1,305	4D17NZ22	P1102-48	19	90	2.7	575	14.24	12.74	S, US, 12
135	105	1/4	108706.00	√	1,305	4D17NZ23	P1102-48	13	90	2.7	525	14.24	12.74	S, US, 12
18	1112	1/2	108707.00	√	1,446	4D17FZ23	P1103-48	95	90	5.0	700	16.49	14.99	S, US
33	822	1/2	108708.00	√	1,446	4D17FZ24	P1103-48	53	90	5.0	650	16.49	14.99	S, US
42	705	1/2	108709.00	√	1,419	4D17FZ25	P1102-48	42	90	5.0	650	16.49	14.99	S, US
60	476	1/2	108710.00	√	1,419	4D17FZ26	P1102-48	29	90	5.0	625	16.49	14.99	S, US
92	320	1/2	108711.00	√	1,419	4D17FZ27	P1102-48	19	90	5.0	575	16.49	14.99	S, US
135	210	1/2	108712.00	√	1,419	4D17FZ28	P1102-48	13	90	5.0	525	16.49	14.99	S, US

Note 12 - TENV

♥ Note listing on inside back flap
Specifications are subject to change without notice

12 Volts - Totally Enclosed - Rigid Base - P1100 Series

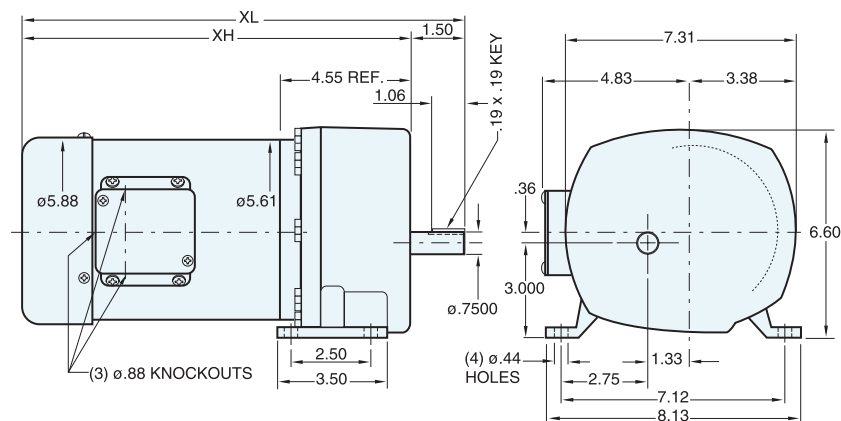
Output RPM	FL. Torque (Lb In.)	Input HP	Catalog Number	Stock	List Price	Model Number	Gearmotor Type & Frame	Ratio to 1	Arm. Volts DC	FL. Amps DC	Over-hung Load (lb.)	Dimensions (inches)		♥Notes
												XL	XH	
8	1087	1/4	108729.00	√	1,367	4D17NZ43	P1103-48	212	12	21	700	13.74	12.24	S, US, 12
60	238	1/4	108730.00	√	1,337	4D17NZ44	P1102-48	29	12	21	625	13.74	12.24	S, US, 12
42	705	1/2	108731.00	√	1,446	4D17FZ52	P1102-48	42	12	40	650	15.99	14.49	S, US
92	320	1/2	108732.00	C/A	1,446	4D17FZ53	P1102-48	19	12	40	575	15.99	14.49	S, US

Note 12 - TENV

C/A - Check Availability

♥ Note listing on inside back flap
Specifications are subject to change without notice

P1100 SERIES - DC



ALL DIMENSIONS IN INCHES



Gearmotors

Right-Angle DC Gearmotors

SCR Rated - 5-135 In-Lbs. Torque

Low Voltage - 25-135 In-Lbs. Torque



General Specifications - SCR Rated Gearmotors:

- Performance matched for continuous duty service over 60:1 speed range
- Constant torque throughout the range when powered by a full-wave unfiltered SCR-type adjustable speed control having a typical form factor of 1.3 to 1.4

General Specifications - Low Voltage Gearmotors:

- Performance matched for continuous duty service
- Designed for battery power or can be used with a low voltage controller with form factor up to 1.05

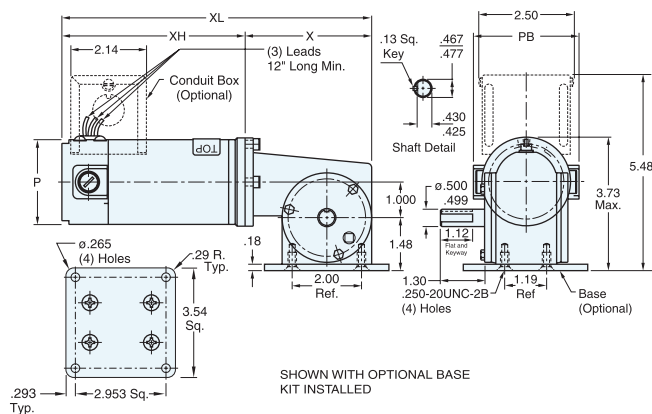
Features:

- Worm-type right-angle gearing features hardened, steel worm with bronze worm wheel for long life and quiet operation
- Precision machined aluminum gear housing
- Lubrication is permanent with an oil bath
- Gearbox has all ball bearings
- Output shaft is field interchangeable from left hand to right hand style by reassembly
- Double output shaft available as a factory option
- Optional conduit box available, see page 356
- Optional gearbox base available (10 Series only), see page 356

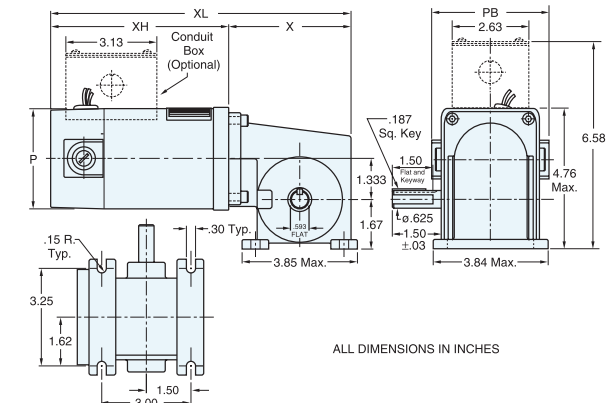
Application Notes:

- These right-angle gearmotors have a lubrication breather positioned for horizontal mounting. For other mountings, the breather plug must be reoriented by using a 90 deg 1/8" NPT taper pipe elbow (See drawing). Elbow not available from LEESON
- These gearmotors are designed for mounting at any angle, but motor below the reducer should be avoided to prevent leakage of lubricant into the motor should the motor shaft seal fail
- Overhung load capacities shown are at center of output shaft

10 SERIES - DC



13 SERIES - DC



ALL DIMENSIONS IN INCHES



Gearmotors

Right-Angle DC Gearmotors

**SCR Rated - 5-135 In-Lbs. Torque &
Low Voltage - 25-135 In-Lbs. Torque**

90 & 180 Volts - TENV - Right-Angle

Out-put RPM	FL. Torque (Lb In.)	Input HP	Catalog Number	Stock	List Price	Model Number	Gearmotor Type & Frame	Ratio to 1	Arm. Volts DC	FL. Amps DC	Over-hung Load (lb.)	Dimensions (inches)					♥Notes
												P	PB	X	XL	XH	
42	22	1/17	M1115018.00	√	608	985.504	10F60-25D	60	90	0.9	185	2.5	3	3.6	8.79	5.19	S, US
62	19	1/17	M1115019.00	√	608	985.505	10F40-25D	40	90	0.9	185	2.5	3	3.6	8.79	5.19	S, US
125	16	1/17	M1115020.00	√	608	985.506	10F20-25D	20	90	0.9	185	2.5	3	3.6	8.79	5.19	S, US
250	10	1/17	M1115021.00	√	608	985.509	10F10-25D	10	90	1.0	185	2.5	3	3.6	8.79	5.19	S, US
500	5	1/17	M1115022.00	√	608	985.507	10F05-25D	5	90	1.0	185	2.5	3	3.6	8.79	5.19	S, US
42	30	1/12	M1135053.00	√	608	M34D25NZ30	13F60-34A	60	180	0.5	235	3.38	4	4.5	9.64	5.14	S, US
62	35	1/12	M1135054.00	C/A	608	M34D25NZ31	13F40-34A	40	180	0.5	235	3.38	4	4.5	9.64	5.14	S, US
125	18	1/12	M1135055.00	√	608	CM34D25NZ32	13F20-34A	20	180	0.5	235	3.38	4	4.5	9.64	5.14	S, US
250	10	1/12	M1135056.00	C/A	608	M34D25NZ47	13F10-34A	10	180	0.5	235	3.38	4	4.5	9.64	5.14	S, US
500	5	1/12	M1135057.00	C/A	608	M34D25NZ48	13F05-34A	5	180	0.5	235	3.38	4	4.5	9.64	5.14	S, US
42	80	1/8	M1135069.00	√	701	M34D25NZ18	13F60-34C	60	90	1.4	235	3.38	4	4.5	10.64	6.14	S, US
62	70	1/8	M1135038.00	√	701	M34D25NZ6	13F40-34C	40	90	1.4	235	3.38	4	4.5	10.64	6.14	S, US
62	70	1/8	M1135058.00	√	701	M34D25NZ26	13F40-34C	40	180	0.7	235	3.38	4	4.5	10.64	6.14	S, US
125	45	1/8	M1135039.00	√	701	M34D25NZ7	13F20-34C	20	90	1.4	235	3.38	4	4.5	10.64	6.14	S, US
125	45	1/8	M1135059.00	√	701	M34D25NZ27	13F20-34C	20	180	0.7	235	3.38	4	4.5	10.64	6.14	S, US
250	25	1/8	M1135040.00	√	701	M34D25NZ8	13F10-34C	10	90	1.4	235	3.38	4	4.5	10.64	6.14	S, US
250	25	1/8	M1135060.00	√	701	M34D25NZ28	13F10-34C	10	180	0.7	235	3.38	4	4.5	10.64	6.14	S, US
500	13	1/8	M1135041.00	√	701	M34D25NZ9	13F05-34C	5	90	1.4	235	3.38	4	4.5	10.64	6.14	S, US
500	13	1/8	M1135061.00	C/A	701	M34D25NZ29	13F05-34C	5	180	0.7	235	3.38	4	4.5	10.64	6.14	S, US
62	135	1/4	M1135042.00	√	755	M34D25NZ10	13F40-34G	40	90	2.3	235	3.38	4	4.5	12.64	8.14	S, US
62	135	1/4	M1135062.00	√	755	M34D25NZ33	13F40-34G	40	180	1.3	235	3.38	4	4.5	12.64	8.14	S, US
83	125	1/4	M1135043.00	√	755	M34D25NZ11	13F30-34G	30	90	2.3	235	3.38	4	4.5	12.64	8.14	S, US
83	125	1/4	M1135063.00	√	755	M34D25NZ34	13F30-34G	30	180	1.3	235	3.38	4	4.5	12.64	8.14	S, US
125	90	1/4	M1135044.00	√	755	M34D25NZ12	13F20-34G	20	90	2.3	235	3.38	4	4.5	12.64	8.14	S, US
125	90	1/4	M1135064.00	√	755	M34D25NZ35	13F20-34G	20	180	1.3	235	3.38	4	4.5	12.64	8.14	S, US
250	50	1/4	M1135045.00	√	755	M34D25NZ13	13F10-34G	10	90	2.3	235	3.38	4	4.5	12.64	8.14	S, US
250	50	1/4	M1135065.00	√	755	M34D25NZ36	13F10-34G	10	180	1.3	235	3.38	4	4.5	12.64	8.14	S, US
500	30	1/4	M1135046.00	√	755	M34D25NZ14	13F05-34G	5	90	2.3	235	3.38	4	4.5	12.64	8.14	S, US
500	30	1/4	M1135066.00	√	755	M34D25NZ37	13F05-34G	5	180	1.3	235	3.38	4	4.5	12.64	8.14	S, US

C/A - Check Availability

♥ Note listing on inside back flap
Specifications are subject to change without notice

12 Volts - TENV - Right-Angle Series

Out-put RPM	FL. Torque (Lb In.)	Input HP	Catalog Number	Stock	List Price	Model Number	Gearmotor Type & Frame	Ratio to 1	Arm. Volts DC	FL. Amps DC	Over-hung Load (lb.)	Dimensions (inches)					♥Notes
												P	PB	X	XL	XH	
42	80	1/8	M1135249.00	C/A	715	M34D25NZ158	13F60-34	60	12	11.0	235	3.38	4.21	4.5	10.39	5.89	S, US
250	25	1/8	M1135250.00	C/A	715	M34D25NZ159	13F10-34	10	12	11.0	235	3.38	4.21	4.5	10.39	5.89	S, US
62	135	1/4	M1135251.00	√	766	M34D25NZ160	13F40-34	40	12	21.0	235	3.38	4.21	4.5	12.64	8.14	S, US
125	90	1/4	M1135252.00	√	766	M34D25NZ161	13F20-34	20	12	21.0	235	3.38	4.21	4.5	12.64	8.14	S, US

C/A - Check Availability

♥ Note listing on inside back flap
Specifications are subject to change without notice



Gearmotors

AC / DC Controls

Accessories / Kits

Mods / Factory Options

X-Ref / Index

Tech Information

Warnings/Cautions

Gearmotors

Bravo® Series 12 SUB-FHP - DC Right-Angle Gearmotors



General Specifications - SCR Rated Gearmotors:

- Performance matched for continuous duty service over 60:1 speed range
- Constant torque throughout the range when powered by a full-wave unfiltered SCR-type adjustable speed control having a typical form factor of 1.3 to 1.4

General Specifications - Low Voltage Gearmotors:

- Performance matched for continuous duty service
- Designed for battery power or can be used with a low voltage controller with form factor up to 1.05

Features:

- Worm-type right-angle gearing features hardened, steel worm with bronze worm wheel for long life and quiet operation
- Single piece die cast aluminum alloy housing is vacuum impregnated with Resinol RT for protection and sealing
- Light weight gearbox combines high tensile strength along with being precision machined for alignment of bearings and gearing
- High temperature nitrile seals for optimum seal life
- Gearbox provided with solid output shaft, but can be converted to a hollow output shaft. Simply remove the solid shaft by removing the snap rings
- T-base feet provided are removable to convert to face mounting
- Optional conduit box available, see page 356

Bravo® Series 12 SUB-FHP - DC Right-Angle Gearmotors

90 Volts - Totally Enclosed - Right-Angle

Output RPM	FL. Torque (Lb.In.)	Input HP	Catalog Number	Stock	List Price	Model Number	Enclosure	Gearmotor Type & Frame	Ratio to 1	Arm. Volts DC	FL. Amps. DC	Notes
28	125	1/8	M1135292.00	√	716	M34D17NZ31	TENV	12B60-34D	61.0	90	1.6	S, US, 12
45	87	1/8	M1135291.00	C/A	716	M34D17NZ30	TENV	12B39-34D	39.0	90	1.6	S, US, 12
58	158	1/4	M1135290.00	√	756	M34D17FZ7	TEFC	12B30-34G	30.0	90	2.8	S, US
90	100	1/4	M1135289.00	√	756	M34D17FZ6	TEFC	12B19-34G	19.0	90	2.6	S, US
115	85	1/4	M1135288.00	C/A	756	M34D17FZ5	TEFC	12B15-34G	15.0	90	2.6	S, US
167	61	1/4	M1135287.00	√	756	M34D17FZ4	TEFC	12B11-34G	10.6	90	2.6	S, US
250	46	1/4	M1135286.00	√	756	M34D17FZ3	TEFC	12B7-34G	7.0	90	2.6	S, US

C/A - Check Availability
Note 12 - TENV

♥ Note listing on inside back flap
Specifications are subject to change without notice

12 Volt - TENV - Right-Angle

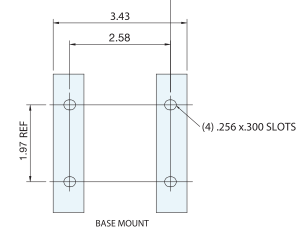
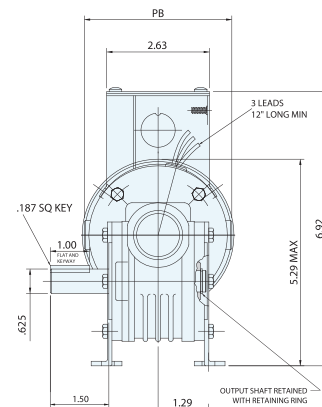
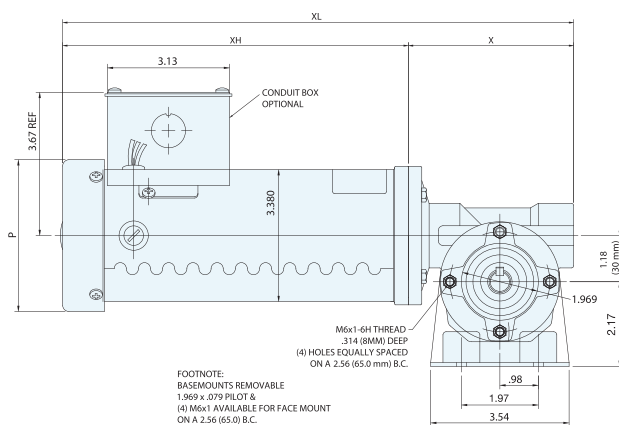
Output RPM	FL. Torque (Lb.In.)	Input HP	Catalog Number	Stock	List Price	Model Number	Enclosure	Gearmotor Type & Frame	Ratio to 1	Arm. Volts DC	FL. Amps. DC	Notes
27	134	1/8	M1135285.00	C/A	745	M34D17NZ29	TENV	12B60-34C	61.0	12	14.0	S, US
45	94	1/8	M1135284.00	C/A	745	M34D17NZ28	TENV	12B39-34C	39.0	12	15.0	S, US
58	158	1/4	M1135297.00	√	780	M34D17NZ36	TENV	12B30-34F	30.0	12	24.0	S, US
90	100	1/4	M1135296.00	C/A	780	M34D17NZ35	TENV	12B19-34F	19.0	12	24.0	S, US
115	85	1/4	M1135295.00	C/A	780	M34D17NZ34	TENV	12B15-34F	15.0	12	23.0	S, US
167	61	1/4	M1135294.00	C/A	780	M34D17NZ33	TENV	12B11-34F	10.6	12	21.0	S, US
250	46	1/4	M1135293.00	√	780	M34D17NZ32	TENV	12B7-34F	7.0	12	23.0	S, US

C/A - Check Availability

♥ Note listing on inside back flap
Specifications are subject to change without notice

Notes:

- 1 Conduit box not supplied with the gearmotor. Mounting provisions are provided and can use conduit box kit catalog number M1760007.00 found on page 356.
- 2 For solid double output shaft, consult factory.



SCR 90 Volt Rated (IN)

P	X	XL	XH	PB
3.38	4.32	11.07	6.75	4.00
3.38	4.32	11.07	6.75	4.00
3.88	4.32	13.16	8.84	3.76
3.88	4.32	13.16	8.84	3.76
3.88	4.32	13.16	8.84	3.76
3.88	4.32	13.16	8.84	3.76
3.88	4.32	13.16	8.84	3.76
3.88	4.32	13.16	8.84	3.76

Low Voltage 12V (IN)

P	X	XL	XH	PB
3.38	4.32	10.57	6.25	4.21
3.38	4.32	10.57	6.25	4.21
3.38	4.32	11.82	7.50	4.21
3.38	4.32	11.82	7.50	4.21
3.38	4.32	11.82	7.50	4.21
3.38	4.32	11.82	7.50	4.21
3.38	4.32	11.82	7.50	4.21
3.38	4.32	11.82	7.50	4.21



Gearmotors

IP55 Washguard® Gearmotors - P300 Series - DC



General Specifications - SCR Rated Gearmotors:

- Performance matched for continuous duty service over 60:1 speed range
- Constant torque throughout the range when powered by a full-wave unfiltered SCR-type adjustable speed control having a typical form factor of 1.3 to 1.4

General Specifications - Low Voltage Gearmotors:

- Performance matched for continuous duty service
- Designed for battery power or can be used with a low voltage controller with form factor up to 1.05

Features:

- Gearbox output shafts are coated with Microlon® 3300 fortified Teflon® for superior corrosion resistance
- Frame, endshields, armature and interior components protected by enamel and polyester compounds for resistance to moisture, acids, alkalies and oil
- Precision machined in-line steel gears
- First stage steel helical gear followed by spur-type gears
- Lubrication is permanent semi-fluid grease, reducing possibility of leakage
- Output shafts have needle bearings for high load capacities
- Gearbox Shafts are hardened steel
- Cast conduit box with threaded conduit holes and Nitrile gaskets keep water out
- Conduit box cover is made from 304 stainless steel
- For any condensation that may accumulate inside the motor, a one-way stainless steel vapor vent is provided
- All hardware is stainless steel
- Painted with white epoxy for superior corrosion resistance and protection
- Machined fits between the endbells and motor frame are sealed with gaskets
- Thru-bolt heads and nuts sealed with fiber washers
- O-rings under each threaded brush cover

Application Notes:

- Extended life in wet, high humidity applications
- Design repels water from entering motor
- Internal components protected against rust and corrosion
- These gearmotors are designed for mounting at any angle, but motor below the reducer should be avoided to prevent leakage of lubricant into the motor should the motor shaft seal fail
- Overhung load capacities shown are at center of output shaft
- Motor's stall torque could exceed recommended full load torques. A current limiting device such as an SCR control should be used to prevent damage. This issue is even more critical for low voltage motors, typically no controller is used since motor is connected directly to a battery, so some type of current limit or fusing should be considered
- USDA Approved white epoxy finish
- **Bison/Dayton direct interchange**

Bison is believed to be the trademark or trade name of Bison Gear & Engineering Corporation.

Dayton is a trademark or trade name of Dayton Electric Manufacturing.

Microlon is a trademark of Micro Surface Corporation.

Teflon is a trademark of The Chemours Company.
All Rights Reserved.





Gearmotors

IP55 Washguard® Gearmotors - P300 Series - DC

Gearmotors

AC / DC Controls

Accessories / Kits

Mods / Factory Options

X-Ref / Index

Tech Information

Warnings/Cautions

90 Volts - TENV - P300 Series

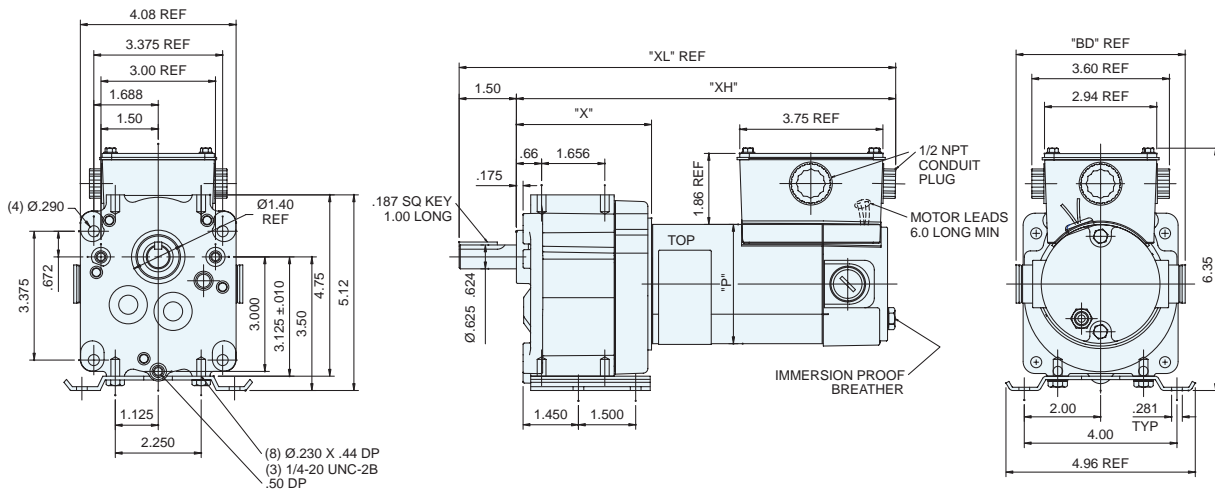
Output RPM	FL. Torque (Lb In.)	Input HP	Catalog Number	Stock	List Price	Model Number	Gearmotor Type & Frame	Ratio to 1	Arm. Volts DC	FL. Amps DC	Over-hung Load (lb.)	Dimensions (inches)					♥Notes
												P	PB	X	XL	XH	
5	353	1/20	M1125261.00	√	902	M31D17VZ5	P303-31	336	90	0.8	565	3.13	3.8	3.54	10.44	8.94	S, US
31	220	1/8	M1125262.00	√	927	M31D17VZ6	P303-31	58	90	1.6	327	3.13	3.8	3.54	11.94	10.44	S, US
51	130	1/8	M1125263.00	√	857	M31D17VZ7	P302-31	35	90	1.6	277	3.13	3.8	3.54	11.94	10.44	S, US
94	77	1/8	M1125264.00	√	857	M31D17VZ8	P302-31	19	90	1.6	236	3.13	3.8	3.54	11.94	10.44	S, US
167	43	1/8	M1125265.00	√	857	M31D17VZ9	P302-31	11	90	1.6	197	3.13	3.8	3.54	11.94	10.44	S, US

♥ Note listing on inside back flap
Specifications are subject to change without notice

12 Volts - TENV - P300 Series

Output RPM	FL. Torque (Lb In.)	Input HP	Catalog Number	Stock	List Price	Model Number	Gearmotor Type & Frame	Ratio to 1	Arm. Volts DC	FL. Amps DC	Over-hung Load (lb.)	Dimensions (inches)					♥Notes
												P	PB	X	XL	XH	
5	353	1/20	M1125266.00	√	927	M31D17VZ10	P303-31	336	12	6.4	565	3.13	3.8	3.54	10.44	8.94	S, US
31	220	1/8	M1125267.00	√	950	M31D17VZ11	P303-31	58	12	11	327	3.13	4.43	3.54	11.44	9.94	S, US

♥ Note listing on inside back flap
Specifications are subject to change without notice



Gearmotors

IP55 Washguard® Gearmotors - PE350 - DC



General Specifications - SCR Rated Gearmotors:

- Performance matched for continuous duty service over 60:1 speed range
- Constant torque throughout the range when powered by a full-wave unfiltered SCR-type adjustable speed control having a typical form factor of 1.3 to 1.4

General Specifications - Low Voltage Gearmotors:

- Performance matched for continuous duty service
- Designed for battery power or can be used with a low voltage controller with form factor up to 1.05

Features:

- Gearbox output shafts are coated with Microlon® 3300 fortified Teflon® for superior corrosion resistance
- Frame, endshields, armature and interior components protected by enamel and polyester compounds for resistance to moisture, acids, alkalies and oil
- Precision machined in-line steel gears
- First stage steel helical gear followed by spur-type gears
- Lubrication is permanent semi-fluid grease, reducing possibility of leakage
- Output shafts have needle bearings for high load capacities
- Gearbox Shafts are hardened steel
- Cast conduit box with threaded conduit holes and nitrile gaskets keep water out
- Conduit box cover is made from 304 stainless steel
- For any condensation that may accumulate inside the motor, a one-way stainless steel vapor vent is provided
- All hardware is stainless steel
- Painted with white epoxy for superior corrosion resistance and protection
- Machined fits between the endbells and motor frame are sealed with gaskets
- Thru-bolt heads and nuts sealed with fiber washers
- O-rings under each threaded brush cover

Application Notes:

- Extended life in wet, high humidity applications
- Design repels water from entering motor
- Internal components protected against rust and corrosion
- These gearmotors are designed for mounting at any angle, but motor below the reducer should be avoided to prevent leakage of lubricant into the motor should the motor shaft seal fail
- Overhung load capacities shown are at center of output shaft
- Motor's stall torque could exceed recommended full load torques. A current limiting device such as an SCR control should be used to prevent damage. This issue is even more critical for low voltage motors, typically no controller is used since motor is connected directly to a battery, so some type of current limit or fusing should be considered
- USDA Approved white epoxy finish
- **Bodine/Baldor direct interchange**

Baldor is believed to be the trademark or trade name of ABB ASEA Brown Boveri Ltd.

Bodine is believed to be the trademark or trade name of Bodine Electric Corporation.

Microlon is a trademark of Micro Surface Corporation.

Teflon is a trademark of The Chemours Company.
All Rights Reserved.





90 Volts - TENV - PE350 Series - Parallel Shaft

Output RPM	F.L. Torque (Lb In.)	Input HP	Catalog Number	Stock	List Price	Model Number	Gearmotor Type & Frame	Ratio to 1	Arm. Volts DC	F.L. Amps DC	Over-hung Load (lb.)	Dimensions (inches)					♥Notes
												P	PB	X	XL	XH	
14	341	1/8	M1125268.00	√	934	M31D25VZ1	P353-31	180	90	1.5	465	3.13	3.8	3.45	11.84	9.84	S, US
42	280	1/4	M1125269.00	√	967	M32D25VZ1	P353-32	58	90	2.6	327	3.25	3.8	3.45	13.84	11.84	S, US
83	155	1/4	M1125270.00	√	942	M32D25VZ2	P353-32	29	90	2.6	267	3.25	3.8	3.45	13.84	11.84	S, US
250	45	1/4	M1125271.00	√	942	M32D25VZ3	P352-32	10	90	2.6	201	3.25	3.8	3.45	13.84	11.84	S, US
500	25	1/4	M1125272.00	√	942	M32D25VZ4	P352-32	5	90	2.6	194	3.25	3.8	3.45	13.84	11.84	S, US

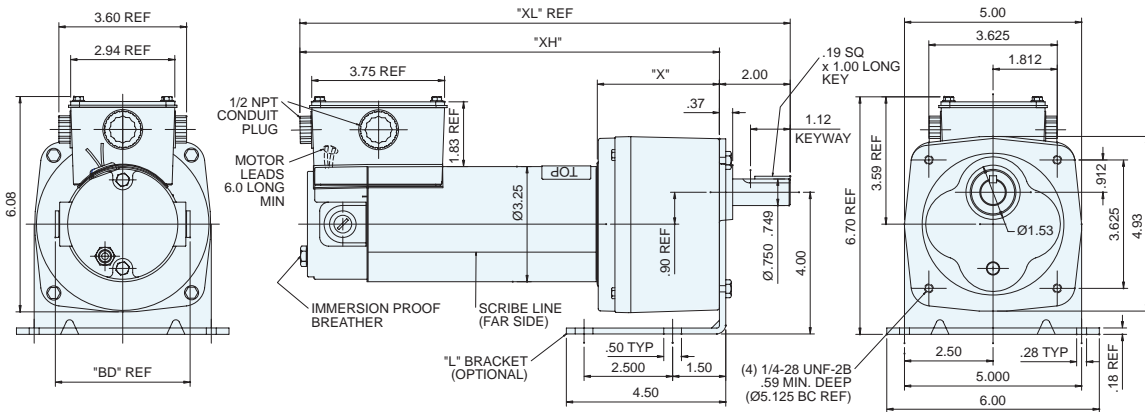
♥ Note listing on inside back flap
 Specifications are subject to change without notice

12 Volts - TENV - PE350 Series - Parallel Shaft

Output RPM	F.L. Torque (Lb In.)	Input HP	Catalog Number	Stock	List Price	Model Number	Gearmotor Type & Frame	Ratio to 1	Arm. Volts DC	F.L. Amps DC	Over-hung Load (lb.)	Dimensions (inches)					♥Notes
												P	PB	X	XL	XH	
14	341	1/8	M1125273.00	√	957	M31D25VZ2	P353-31	180	12	12	465	3.13	4.43	3.45	11.58	9.58	S, US
42	325	1/4	M1125274.00	C/A	1,012	M32D25VZ5	P353-32	58	12	20	327	3.25	4.43	3.45	13.84	11.84	S, US

C/A - Check Availability

♥ Note listing on inside back flap
 Specifications are subject to change without notice





General Specifications - SCR Rated Gearmotors:

- Performance matched for continuous duty service over 60:1 speed range
- Constant torque throughout the range when powered by a full-wave unfiltered SCR-type adjustable speed control having a typical form factor of 1.3 to 1.4

General Specifications - Low Voltage Gearmotors:

- Performance matched for continuous duty service
- Designed for battery power or can be used with a low voltage controller with form factor up to 1.05

Features:

- 303 stainless steel gearbox output shaft
- Frame, endshields, armature and interior components protected by enamel and polyester compounds for resistance to moisture, acids, alkalies and oil
- Cast conduit box with threaded conduit holes and nitrile gaskets keep water out
- Conduit box cover is made from 304 stainless steel
- For any condensation that may accumulate inside the motor, a one-way stainless steel vapor vent is provided
- All hardware is stainless steel
- Painted with white epoxy for superior corrosion resistance and protection
- Machined fits between the endbells and motor frame are sealed with gaskets
- Thru-bolt heads and nuts sealed with fiber washers
- O-rings under each threaded brush cover
- Worm-type right-angle gearing features hardened, steel worm with bronze worm wheel for long life and quiet operation
- Precision machined aluminum gear housing
- Lubrication is permanent with an oil bath
- Gearbox has all ball bearings
- Output shaft is field interchangeable from left hand to right hand style by reassembly
- Double output shaft available as a factory option

Application Notes:

- These right-angle gearmotors have a lubrication breather positioned for horizontal mounting. For other mountings, the breather plug must be reoriented by using a 90 deg 1/8" NPT taper pipe elbow. Elbow not available from LEESON
- These gearmotors are designed for mounting at any angle, but motor below the reducer should be avoided to prevent leakage of lubricant into the motor should the motor shaft seal fail
- Overhung load capacities shown are at center of output shaft
- For additional information, see Bulletin 1830



Gearmotors

IP55 Washguard® Gearmotors - Right-Angle - DC

90 Volt - TENV - Right-Angle

Output RPM	F.L. Torque (Lb In.)	Input HP	Catalog Number	Stock	List Price	Model Number	Gearmotor Type & Frame	Ratio to 1	Arm. Volts DC	F.L. Amps DC	Over-hung Load (lb.)	Dimensions (inches)					♥Notes
												P	PB	X	XL	XH	
42	80	1/8	M1125275.00	√	934	M31D25VZ3	13F60-31	60	90	2.2	235	3.13	3.8	4.5	10.86	6.36	S, US
250	25	1/8	M1125276.00	√	934	M31D25VZ4	13F10-31	10	90	2.2	235	3.13	3.8	4.5	10.86	6.36	S, US
62	135	1/4	M1125277.00	√	942	M32D25VZ6	13F40-32	40	90	3.7	235	3.25	3.8	4.5	12.86	8.36	S, US
125	90	1/4	M1125278.00	√	942	M32D25VZ7	13F20-32	20	90	3.7	235	3.25	3.8	4.5	12.86	8.36	S, US
250	50	1/4	M1125279.00	√	942	M32D25VZ8	13F10-32	10	90	3.7	235	3.25	3.8	4.5	12.86	8.36	S, US

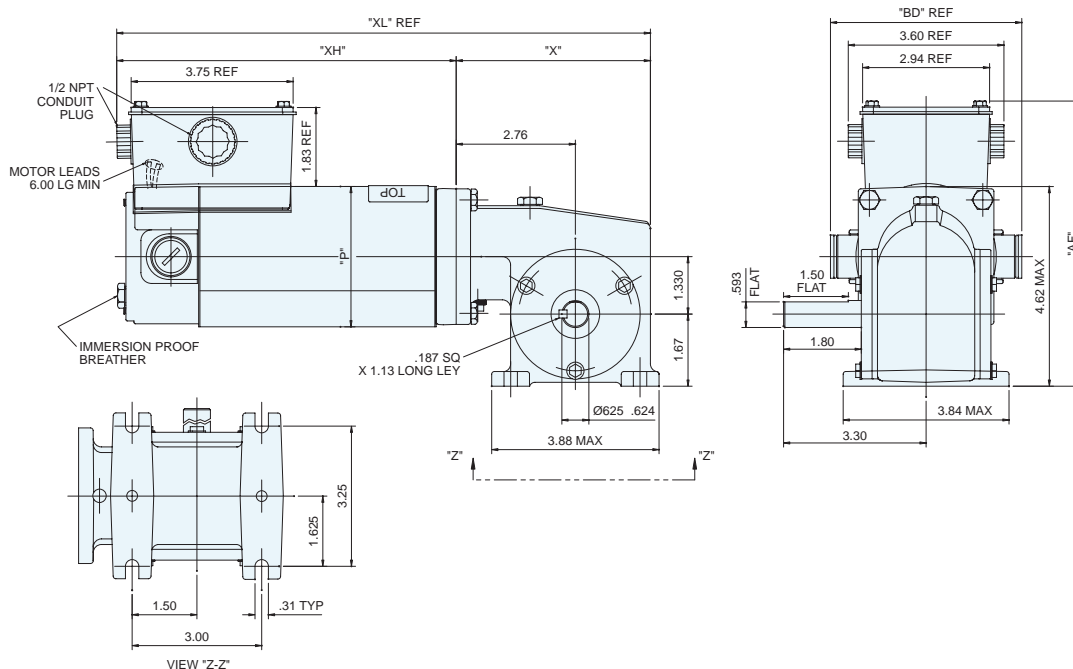
♥ Note listing on inside back flap
Specifications are subject to change without notice

12 Volts - TENV - Right-Angle

Output RPM	F.L. Torque (Lb In.)	Input HP	Catalog Number	Stock	List Price	Model Number	Gearmotor Type & Frame	Ratio to 1	Arm. Volts DC	F.L. Amps DC	Over-hung Load (lb.)	Dimensions (inches)					♥Notes
												P	PB	X	XL	XH	
62	135	1/4	M1125280.00	√	894	M32D25VZ9	13F40-32	40	12	28	235	3.25	4.43	4.5	12.36	7.86	S, US
125	90	1/4	M1125281.00	√	894	M32D25VZ10	13F20-32	20	12	28	235	3.25	4.43	4.5	12.36	7.86	S, US

♥ Note listing on inside back flap
Specifications are subject to change without notice

13 SERIES - DC



Gearmotors

Parallel Shaft - SUB-FHP - AC Gearmotors

12-100 In-Lbs. Output Torque



Features:

- Permanent split capacitor design rated for 115 VAC 60 HZ input
- Precision machined in-line steel gears
- First stage steel helical gear followed by spur-type gears
- Lubrication is permanent semi-fluid grease, reducing possibility of leakage
- Output shafts have needle bearings for high load capacities
- Shafts are hardened steel
- Optional conduit box and PZ gearmotor mounting bracket available

Application Notes:

- These gearmotors are designed for mounting at any angle, but motor below the reducer should be avoided to prevent leakage of lubricant into the motor should the motor shaft seal fail
- The motor's stall torque could exceed recommended full load torques causing gearhead damage, especially in ratios of 60:1 and higher. Provisions to limit the torque are recommended
- The torque values listed are the recommended full load torque values
- Overhung load capacities shown are at center of output shaft
- All PZ Series gearmotors are supplied with continuous duty "run" capacitor
- Optional conduit box available, see page 356
- For additional information, see Bulletin 1830
- **Bodine/Bison/Dayton direct interchange**

Bison is believed to be the trademark or trade name of Bison Gear & Engineering Corporation.

Bodine is believed to be the trademark or trade name of Bodine Electric Corporation.

Dayton is a trademark or trade name of Dayton Electric Manufacturing. All Rights Reserved.



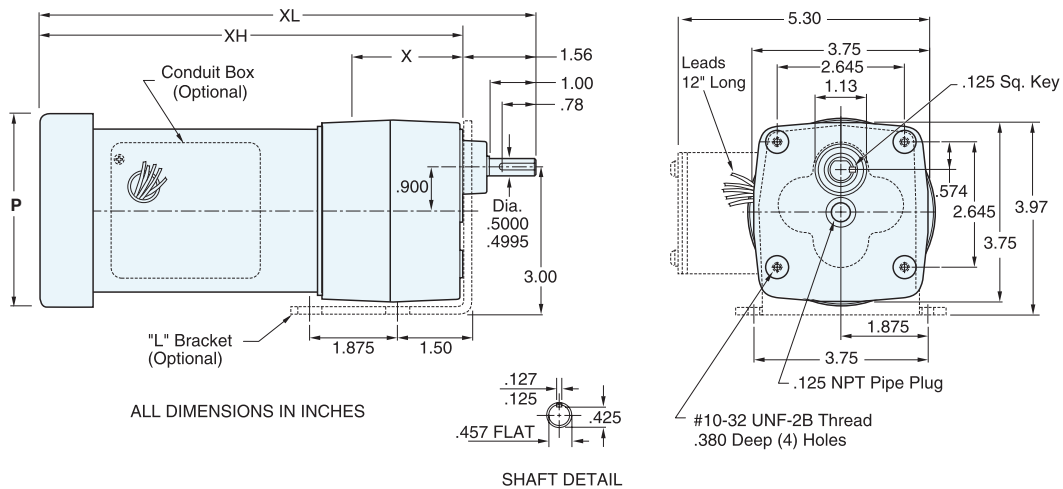
115 Volts - Totally Enclosed - Single Phase

Output RPM	FL. Torque (Lb. In.)	Input HP	Catalog Number	Stock	List Price	Model Number	Gear-motor Type & Frame	Ratio to 1	FL. Amps 115	Over-hung Load (lb.)	Dimensions (inches)				Caacitor Mfd. 240 VAC	♥Notes
											P	X	XL	XH		
2	100	1/150	M1125050.00	√	565	M31P17NZ1	PZ5-31	900	0.4	155	3.07	3.23	8.71	7.15	3	S, US, 12
9	100	1/15	M1125127.00	√	565	M31P17FZ1	PZ4-31	180	0.9	155	3.88	3.23	10.42	8.86	10	S, US, 13
19	100	1/15	M1125128.00	√	565	M31P17FZ2	PZ4-31	90	0.9	155	3.88	3.23	10.42	8.86	10	S, US, 13
28	100	1/15	M1125129.00	√	565	M31P17FZ3	PZ3-31	60	0.9	155	3.88	2.43	9.62	8.06	10	S, US, 13
57	56	1/15	M1125130.00	√	543	M31P17FZ4	PZ3-31	30	0.9	171	3.88	2.43	9.62	8.06	10	S, US, 13
94	36	1/15	M1125131.00	√	543	M31P17FZ5	PZ3-31	18	0.9	171	3.88	2.43	9.62	8.06	10	S, US, 13
142	24	1/15	M1125132.00	√	526	M31P17FZ6	PZ2-31	12	0.9	180	3.88	2.13	9.32	7.76	10	S, US, 13
283	12	1/15	M1125133.00	√	526	M31P17FZ7	PZ2-31	6	0.9	180	3.88	2.13	9.32	7.76	10	S, US, 13

Note 12 - TENV
Note 13 - TEFC

♥ Note listing on inside back flap
Specifications are subject to change without notice

PZ SERIES - AC



Gearmotors

P240 Series - SUB-FHP - AC Gearmotors

Output Torque - 43-391 In-Lbs.

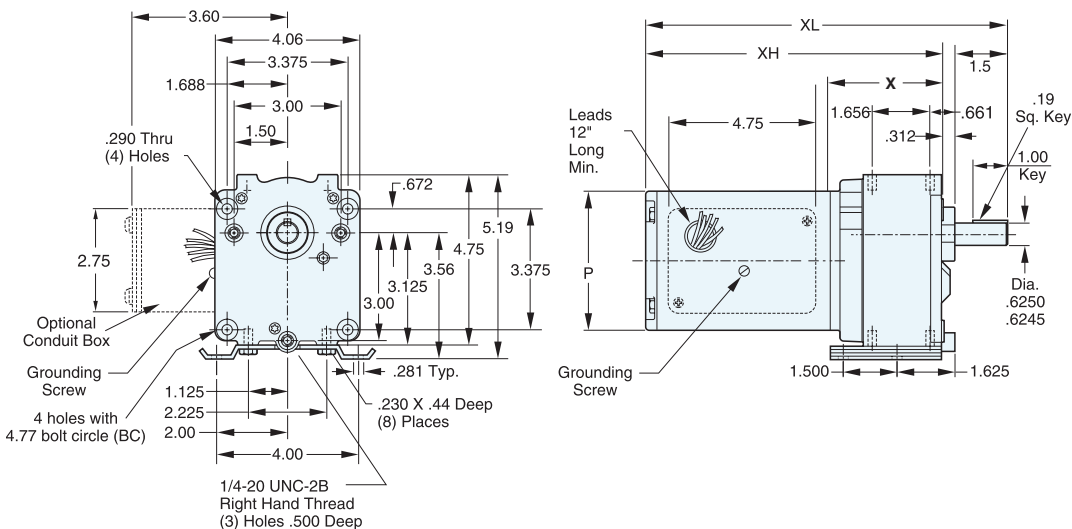


Features:

- Permanent split capacitor design rated for 115/230 VAC 60/50 HZ input
- Precision machined in-line steel gears
- First stage steel helical gear followed by spur-type gears
- Lubrication is permanent semi-fluid grease, reducing possibility of leakage
- Output shafts have needle bearings for high load capacities
- Shafts are hardened steel
- Optional conduit box available, see page 356

Application Notes:

- These gearmotors are designed for mounting at any angle, but motor below the reducer should be avoided to prevent leakage of lubricant into the motor should the motor shaft seal fail
- The motor's stall torque could exceed recommended full load torques causing gearhead damage, especially in ratios of 60:1 and higher. Provisions to limit the torque are recommended
- Overhung load capacities shown are at center of output shaft
- All P240 Series gearmotors are supplied with continuous duty "run" capacitor
- **Bison/Dayton direct interchange**



Single Phase - 115/230 Volts - Totally Enclosed - P240 Series

Out-put RPM	FL. Torque (Lb. In.)	Input HP	Catalog Number	Stock	List Price	Model Number	Gear-motor Type & Frame	Ratio to 1	FL. Amps @115V	Over-hung Load (lb.)	Dimensions (inches)				Caacitor Mfd. 240 VAC	♥Notes
											P	X	XL	XH		
8	345	1/15	M1145029.00	√	845	M38P17NZ26	P243-38D	216	1.0	491	3.85	3.5	10.46	8.96	75	S, US, 12
15	250	1/15	M1145023.00	√	845	M38P17NZ20	P243-38D	114	1.0	407	3.85	3.5	10.46	8.96	75	S, US, 12
16	391	1/6	M1145030.00	√	917	M38P17FZ9	P243-38F	103	2.1	399	4.43	3.5	12.13	10.63	15	S, US, 13
30	135	1/15	M1145024.00	√	768	M38P17NZ21	P242-38D	52	1.0	330	3.85	3.5	10.46	8.96	75	S, US, 12
30	295	1/6	M1145031.00	√	917	M38P17FZ10	P243-38F	58	2.1	330	4.43	3.5	12.13	10.63	15	S, US, 13
40	219	1/6	M1145032.00	√	917	M38P17FZ11	P243-38F	43	2.1	303	4.43	3.5	12.13	10.63	15	S, US, 13
45	92	1/15	M1145025.00	C/A	768	M38P17NZ22	P242-38D	35	1.0	292	3.85	3.5	10.46	8.96	75	S, US, 12
60	157	1/6	M1145033.00	√	841	M38P17FZ12	P242-38D	29	2.1	268	4.43	3.5	12.13	10.63	15	S, US, 13
70	61	1/15	M1145026.00	√	768	M38P17NZ23	P242-38D	23	1.0	256	3.85	3.5	10.46	8.96	75	S, US, 12
90	103	1/6	M1145034.00	√	841	M38P17FZ13	P242-38D	19	2.1	237	4.43	3.5	12.13	10.63	15	S, US, 13
97	43	1/15	M1145027.00	√	768	M38P17NZ24	P242-38D	16.5	1.0	232	3.85	3.5	10.46	8.96	75	S, US, 12
139	30	1/15	M1145028.00	√	768	M38P17NZ25	P242-38D	11.5	1.0	208	3.85	3.5	10.46	8.96	75	S, US, 12
156	60	1/6	M1145035.00	√	841	M38P17FZ14	P242-38D	10.6	2.1	201	4.43	3.5	12.13	10.63	15	S, US, 13

C/A - Check Availability
 Note 12 - TENV
 Note 13 - TEFC

♥ Note listing on inside back flap
 Specifications are subject to change without notice

Gearmotors

P240 Series - SUB-FHP - AC Gearmotors

IP55 AC Washguard® Gearmotors



General Specifications - SCR Rated Gearmotors:

Single and three-phase washdown duty gearmotors rated for continuous duty applications. Permanent split designed single-phase motors include capacitor in conduit box. Motors are designed for extended life in applications requiring regular washdown or otherwise wet environments. Avoid shaft up applications, with motor below, should shaft seal fail.



Features:

- Shaft material coated with Teflon®/Ceramic plating
- White epoxy painted motors
- O-rings and gaskets used for sealing
- Hardened worm-type gearing used
- Interior components protected against corrosion
- Ball bearings used in gear housing
- Sealed output shafts
- Output shafts have needle bearings for high load capacities
- UL listed and CSA certified

115/230 Volts - 1 & 3-Phase - TEFC - P240 Series

Out-put RPM	FL. Torque (Lb.In.)	Input HP	Catalog Number	Stock	List Price	Model Number	Gear-motor Type & Frame	Ratio to 1	Voltage	FL. Amps @230 V	Phase	Over-hung Load (Lbs.)	♥Notes
16	391	1/6	M1145138.00	√	962	M38P17FZ39	P240	103	115/230	1.05	1	399	S, US
40	219	1/6	M1145139.00	√	962	M38P17FZ40	P240	43	115/230	1.00	1	303	S, US
156	60	1/6	M1145140.00	√	883	M38P17FZ41	P240	10.6	115/230	1.00	1	201	S, US
16	391	1/6	M1145144.00	√	962	M38T17FZ20	P240	103	230	0.72	3	237	S, US
30	295	1/6	M1145145.00	√	962	M38T17FZ21	P240	58	230	0.72	3	237	S, US

♥ Note listing on inside back flap
 Specifications are subject to change without notice

Gearmotors

PE350 Series - Parallel Shaft - AC Gearmotors

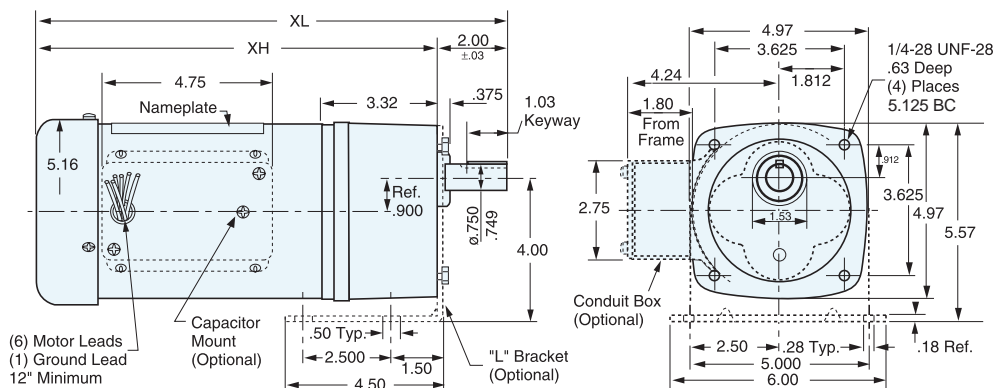
Output Torque - 25-341 In-Lbs



Features:

- All rated for 60/50 Hz operation except hi-torque single-phase which are 60 Hz only
- Rugged die cast aluminum gear housing for maximum gear and bearing support
- Precision machined gearing, hardened for maximum load capability
- All gearing designed and rated to AGMA class 9 standards, and to withstand momentary shock overload of 200%
- Oversized output bearings for greater overhung load capacity and long life
- High carbon alloy output shaft provides maximum strength and rigidity
- All needle bearing journals are precision ground after heat treating to provide maximum fit and finish
- Heavy duty industrial oil seals keep lubricant in and dirt out
- Gears and bearings are splash lubricated with permanent, heavy duty gear oil
- Run capacitor supplied at no additional cost for single phase designs
- Three phase and hi-torque single phase models include conduit box, other single phase models do not
- These gearmotors are designed for mounting at any angle, but motor below the reducer should be avoided to prevent leakage of lubricant into the motor should the motor shaft seal fail
- Overhung load capacities shown are at center of output shaft
- Optional conduit box available, see page 356
- **Bodine/Baldor/Boehm direct interchange**

PE350 SINGLE PHASE



Baldor is believed to be the trademark or trade name of ABB ASEA Brown Boveri Ltd.

Bodine is believed to be the trademark or trade name of Bodine Electric Corporation.

All Rights Reserved.



Single Phase - 115/230 Volts - Totally Enclosed - PE350 Series - Parallel Shaft

Output RPM	FL Torque (Lb.In.)	Input HP	Catalog Number	Stock	List Price	Model Number	Gearmotor Type & Frame	Ratio to 1	FL Amps @ 115V	Overhung Load (lb.)	Dimensions (inches)		Capacitor Mfd. 240 VAC	♥ Notes
											XL	XH		
5	310	1/12	096000.00	√	804	42P17NZ1	PE353-42	336	1.3	565	11.36	9.36	10	S, US, 12
9	341	1/12	096001.00	√	804	42P17NZ2	PE353-42	180	1.3	491	11.36	9.36	10	S, US, 12
14	330	1/12	096002.00	√	804	42P17NZ3	PE353-42	124	1.3	459	11.36	9.36	10	S, US, 12
19	250	1/12	096003.00	√	804	42P17NZ4	PE353-42	91	1.3	374	11.36	9.36	10	S, US, 12
29	270	1/6	096004.00	√	845	42P17FZ1	PE353-42	58	3.2	327	13.32	11.32	15	S, US, 13
34	250	1/6	096005.00	√	845	42P17FZ2	PE353-42	50	3.2	330	13.32	11.32	15	S, US, 13
40	180	1/6	096006.00	C/A	845	42P17FZ3	PE353-42	43	3.2	303	13.32	11.32	15	S, US, 13
59	135	1/6	096007.00	√	797	42P17FZ4	PE352-42	29	3.2	267	13.32	11.32	15	S, US, 13
75	90	1/6	096008.00	√	797	42P17FZ5	PE352-42	23	3.2	256	13.32	11.32	15	S, US, 13
113	68	1/6	096009.00	√	797	42P17FZ6	PE352-42	15	3.2	222	13.32	11.32	15	S, US, 13
160	45	1/6	096010.00	C/A	797	42P17FZ7	PE352-42	10	3.2	196	13.32	11.32	15	S, US, 13
340	25	1/6	096011.00	√	797	42P17FZ8	PE352-42	5	3.2	190	13.32	11.32	15	S, US, 13
Hi-Torque Single Phase PE350 Gearmotors With Capacitor Start Motors														
58	320	1/3	096049.00	√	935	42C17FZ4	PE353-42	30	7.2	300	14.56	12.56	...	S, US, 13
85	218	1/3	096050.00	√	878	42C17FZ5	PE353-42	20	7.2	300	14.56	12.56	...	S, US, 13
173	109	1/3	096051.00	√	878	42C17FZ6	PE353-42	10	7.2	300	14.56	12.56	...	S, US, 13
345	55	1/3	096052.00	C/A	878	42C17FZ7	PE353-42	5	7.2	300	14.56	12.56	...	S, US, 13

♥ Note listing on inside back flap
 Specifications are subject to change without notice
 C/A - Check Availability
 Note 12 - TENV
 Note 13 - TEFC

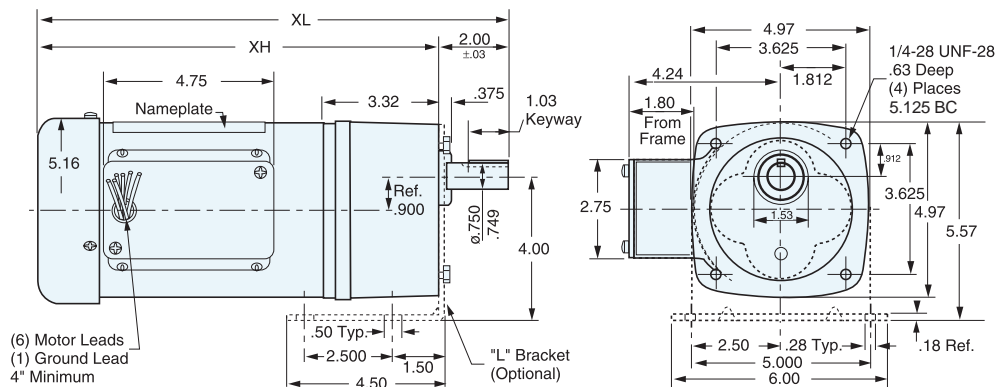


Three Phase - 230/460 Volt - PE350 Series - Parallel Shaft - TEFC

Output RPM	FL Torque (Lb.In.)	Input HP	Catalog Number	Stock	List Price	Model Number	Gearmotor Type & Frame	Ratio to 1	FL Amps @ 230V	Overhung Load (lb.)	Dimensions (inches)		♥ Notes
											XL	XH	
58	320	1/3	096013.00	√	928	42T17FZ14	PE353-42	30	1.6	300	13.81	11.81	S, US
85	218	1/3	096014.00	√	872	42T17FZ15	PE352-42	20	1.6	300	13.81	11.81	S, US
173	109	1/3	096015.00	√	872	42T17FZ16	PE352-42	10	1.6	300	13.81	11.81	S, US
345	55	1/3	096016.00	√	872	42T17FZ17	PE352-42	5	1.6	300	13.81	11.81	S, US

♥ Note listing on inside back flap
 Specifications are subject to change without notice

PE350 THREE PHASE



Gearmotors

P1100 Series - AC Gearmotors - Parallel Shaft

Output Torque - 70-1105 In-Lbs

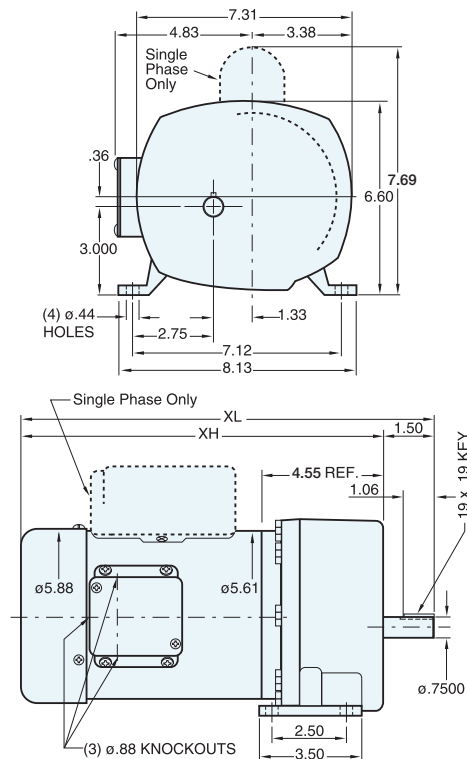


Features:

- Capacitor start designs rated for 115/230 VAC 60 HZ input
- Rugged die cast aluminum gear housing for maximum gear and bearing support
- Precision machined gearing, hardened for maximum load capability
- All gearing designed and rated to AGMA class 9 standards, and to withstand momentary shock overload of 200%
- Oversized output bearings for greater overhung load capacity and long life
- High carbon alloy output shaft provides maximum strength and rigidity
- All needle bearing journals are precision ground after heat treating to provide maximum fit and finish
- Heavy duty industrial oil seals keep lubricant in and dirt out
- Gears and bearings are splash lubricated with permanent, heavy duty gear oil
- Conduit box included as standard

Application Notes:

- These gearmotors are designed for mounting at any angle, but motor below the reducer should be avoided to prevent leakage of lubricant into the motor should the motor shaft seal fail
- Overhung load capacities shown are at center of output shaft
- **Bison/Dayton direct interchange**



Single Phase - 115/230 Volt - TEFC - P1100 Series

Output RPM	F.L. Torque (Lb.In.)	Input HP	Catalog Number	Stock	List Price	Model Number	Gearmotor Type & Frame	Ratio to 1	F.L. Amps @ 115V	Overhung Load (lb.)	Dimensions (inches)		♥Notes
											XL	XH	
8	975	1/4	107000.00	√	1,134	4C17FZ24	P1103-48	212	5.4	700	13.42	11.92	S, US
12	1030	1/4	107004.00	√	1,134	4C17FZ28	P1103-48	143	5.4	700	13.42	11.92	S, US
18	800	1/4	107003.00	√	1,134	4C17FZ27	P1103-48	95	5.4	700	13.42	11.92	S, US
26	569	1/4	107002.00	√	1,134	4C17FZ26	P1103-48	66	5.4	650	13.42	11.92	S, US
59	248	1/4	107005.00	√	1,108	4C17FZ29	P1102-48	29	5.4	625	13.42	11.92	S, US
133	114	1/4	107001.00	√	1,108	4C17FZ25	P1102-48	13	5.4	525	13.42	11.92	S, US
18	1089	1/3	107006.00	√	1,146	4C17FZ30	P1103-48	95	6.2	700	13.67	13.17	S, US
26	752	1/3	107012.00	√	1,146	4C17FZ36	P1103-48	66	6.2	650	13.67	13.17	S, US
41	461	1/3	107011.00	√	1,123	4C17FZ35	P1102-48	42	6.2	650	13.67	13.17	S, US
59	330	1/3	107010.00	√	1,123	4C17FZ34	P1102-48	29	6.2	625	13.67	13.17	S, US
91	224	1/3	107009.00	√	1,123	4C17FZ33	P1102-48	19	6.2	575	13.67	13.17	S, US
157	125	1/3	107008.00	√	1,123	4C17FZ32	P1102-48	11	6.2	500	13.67	13.17	S, US
288	70	1/3	107007.00	√	1,123	4C17FZ31	P1102-48	6	6.2	400	13.67	13.17	S, US
22	1105	1/2	107013.00	√	1,249	4C17FZ37	P1103-48	79	8.8	700	14.17	12.67	S, US
41	700	1/2	107017.00	√	1,225	4T17FZ41	P1102-48	42	8.8	650	14.17	12.67	S, US
59	496	1/2	107016.00	√	1,225	4C17FZ40	P1102-48	29	8.8	625	14.17	12.67	S, US
91	336	1/2	107015.00	√	1,225	4C17FZ39	P1102-48	19	8.8	575	14.17	12.67	S, US
133	229	1/2	107014.00	√	1,225	4C17FZ38	P1102-48	13	8.8	525	14.17	12.67	S, US

♥ Note listing on inside back flap
Specifications are subject to change without notice



Three Phase - 230/460 Volt - TEFC - P1100 Series

Output RPM	F.L. Torque (Lb.In.)	Input HP	Catalog Number	Stock	List Price	Model Number	Gearmotor Type & Frame	Ratio to 1	F.L. Amps @ 230V	Overhung Load (lb.)	Dimensions (inches)		♥Notes
											XL	XH	
18	1089	1/3	107025.00	√	1,220	4T17FZ47	P1103-48	95	1.6	700	12.92	11.42	S, US
26	752	1/3	107026.00	√	1,220	4T17FZ53	P1103-48	66	1.6	650	12.92	11.42	S, US
41	461	1/3	107027.00	√	1,193	4T17FZ54	P1102-48	42	1.6	650	12.92	11.42	S, US
59	330	1/3	107028.00	√	1,193	4T17FZ55	P1102-48	29	1.6	625	12.92	11.42	S, US
91	224	1/3	107029.00	√	1,193	4T17FZ56	P1102-48	19	1.6	575	12.92	11.42	S, US
157	125	1/3	107030.00	√	1,193	4T17FZ57	P1102-48	11	1.6	500	12.92	11.42	S, US
288	70	1/3	107031.00	√	1,193	4T17FZ58	P1102-48	6	1.6	400	12.92	11.42	S, US
22	1105	1/2	107032.00	√	1,287	4T17FZ48	P1103-48	79	2.0	700	13.42	11.92	S, US
41	700	1/2	107033.00	√	1,268	4T17FZ49	P1102-48	42	2.0	650	13.42	11.92	S, US
59	496	1/2	107034.00	√	1,268	4T17FZ50	P1102-48	29	2.0	625	13.42	11.92	S, US
91	336	1/2	107035.00	√	1,268	4T17FZ51	P1102-48	19	2.0	575	13.42	11.92	S, US
133	229	1/2	107036.00	√	1,268	4T17FZ52	P1102-48	13	2.0	500	13.42	11.92	S, US
288	100	1/2	107037.00	√	1,268	4T17FZ46	P1102-48	6	2.0	400	13.42	11.92	S, US

♥ Note listing on inside back flap
Specifications are subject to change without notice

Gearmotors

Right-Angle - AC Gearmotors



Output Torque - 14-113 In-Lbs

Features:

- Permanent split capacitor design rated for 115/230VAC 60/50 HZ input
- Worm-type right-angle gearing features hardened, steel worm with bronze worm wheel for long life and quiet operation
- Precision machined aluminum gear housing
- Lubrication is permanent with an oil bath
- Gearbox has all ball bearings
- Output shaft is field interchangeable from left hand to right hand style by reassembly
- Double output shaft available as a factory option
- Optional conduit box available, see page 356
- Optional gearbox base available (10 Series only), see page 356

Application Notes:

- These right-angle gearmotors have a lubrication breather positioned for horizontal mounting. For other mountings, the breather plug must be reoriented by using a 90 deg 1/8" NPT taper pipe elbow. Elbow not available from LEESON
- These gearmotors are designed for mounting at any angle, but motor below the reducer should be avoided to prevent leakage of lubricant into the motor should the motor shaft seal fail
- Overhung load capacities shown are at center of output shaft
- Continuous duty run capacitor supplied as standard
- **Bodine/Dayton direct interchange**

Single Phase - 115/230 Volt - Totally Enclosed - Right-Angle

Output RPM	FL. Torque (Lb. In.)	Input HP	Catalog Number	Stock	List Price	Model Number	Gear-motor Type & Frame	Ratio to 1	FL. Amps @ 115V	Over-hung Load (lb.)	Dimensions (inches)				Capacitor Mfd. 240 VAC	♥Notes
											P	X	XL	XH		
28	37	1/15	M1125080.00	√	697	M31P17NZ19	10F60-31C	60	0.9	185	3.07	3.63	8.94	5.31	10.0□	S, US, 12
43	34	1/15	M1125081.00	√	697	M31P17NZ18	10F40-31C	40	0.9	185	3.07	3.63	8.94	5.31	10.0□	S, US, 12
58	40	1/15	M1125082.00	√	697	M31P17NZ17	10F30-31C	30	0.9	185	3.07	3.63	8.94	5.31	10.0□	S, US, 12
85	24	1/15	M1125083.00	√	697	M31P17NZ16	10F20-31C	20	0.9	185	3.07	3.63	8.94	5.31	10.0□	S, US, 12
173	14	1/15	M1125084.00	√	697	M31P17NZ15	10F10-31C	10	0.9	185	3.07	3.63	8.94	5.31	10.0□	S, US, 12
29	110	1/6	M1145037.00	√	945	M38P17FZ16	13F60-38F	60	2.0	235	3.85	4.5	12.31	7.81	15.0¢	S, US, 13
43	113	1/6	M1145038.00	√	945	M38P17FZ17	13F40-38F	40	2.0	235	3.85	4.5	12.31	7.81	15.0¢	S, US, 13
57	95	1/6	M1145082.00	C/A	945	M38P17FZ23	13F30-38F	30	2.0	235	3.85	4.5	12.31	7.81	15.0¢	S, US, 13
83	75	1/6	M1145039.00	√	945	M38P17FZ18	13F20-38F	20	2.0	235	3.85	4.5	12.31	7.81	15.0¢	S, US, 13
170	43	1/6	M1145040.00	√	945	M38P17FZ19	13F10-38F	10	2.0	235	3.85	4.5	12.31	7.81	15.0¢	S, US, 13
340	23	1/6	M1145041.00	√	945	M38P17FZ20	13F05-38F	5	2.0	235	3.85	4.5	12.31	7.81	15.0¢	S, US, 13

□ 250 VAC

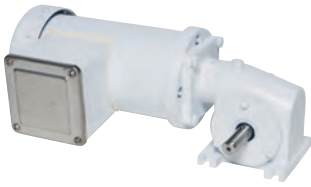
¢ 300 VAC

C/A - Check Availability

Note 12 - TENV

Note 13 - TEFC

♥ Note listing on inside back flap
Specifications are subject to change without notice



Gearmotors

IP55 AC Washguard® Gearmotors Right-Angle - Single & Three Phase

General Specifications:

Single and three-phase washdown duty gearmotors rated for continuous duty applications. Permanent split designed single-phase motors include capacitor in conduit box. Motors are designed for extended life in applications requiring regular washdown or otherwise wet environments. Avoid shaft up applications, with motor below, should shaft seal fail.

Features:

- Shaft material is coated with Teflon®/Ceramic plating
- White epoxy painted motors
- O-rings and gaskets used for sealing
- Hardened worm-type gearing used
- Interior components protected against corrosion
- Ball bearings used in gear housing
- Sealed output shafts
- Output shafts have needle bearings for high load capacities
- UL listed and CSA certified

Single & Three Phase - TEFC - Right-Angle

Output RPM	FL. Torque (Lb.in.)	Input HP	Catalog Number	Stock	List Price	Model Number	Ratio to 1	Voltage	FL. Amps @ 230V	Phase	Over-hung Load (Lbs)
43	113	1/6	M1145141.00	√	808	M38P17FZ42	40	115/230	1.0	1	235
83	75	1/6	M1145142.00	√	991	M38P17FZ43	20	115/230	1.0	1	235
340	23	1/6	M1145143.00	√	991	M38P17FZ44	5	115/230	1.0	1	235
29	220	3/8	M1145146.00	√	991	M38T17FZ22	60	230	1.3	3	235
172	105	3/8	M1145147.00	√	991	M38T17FZ23	10	230	1.3	3	235

Specifications are subject to change without notice

Gearmotors

SUB-FHP Accessories

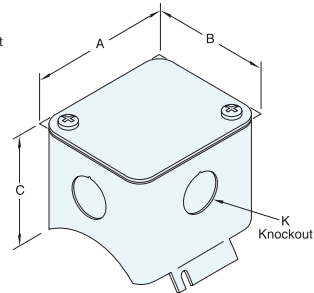
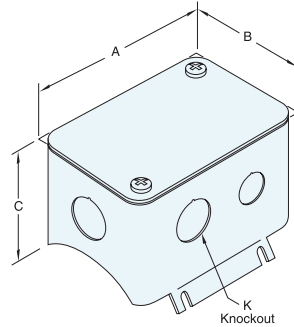
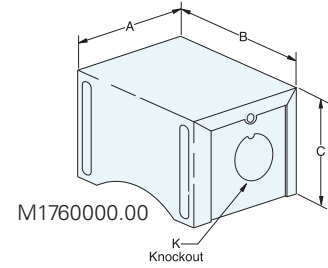
Sub-FHP Gearmotor Conduit Boxes

Optional steel conduit or junction boxes are available. The boxes are painted and mount in holes using screws provided with all stock gearmotors.

Catalog Number	Frame	List Price	Dimensions (inches)			
			A	B	C	K
M1760000.00*	25	44	2.09	2.45	2.23	0.875
M1760021.00*	30/31	44	3.13	2.63	2.28	0.875
M1760007.00	34	44	3.13	2.63	2.28	0.875
M1760012.00	38	46	4.75	2.75	2.00	1.125
175893.00	42	46	4.75	2.75	2.00	1.125

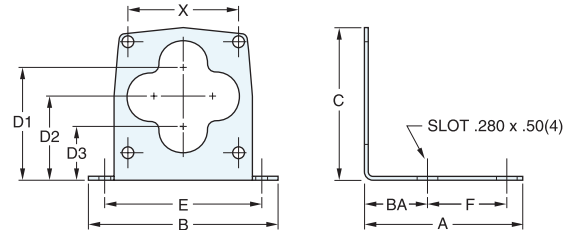
Note: * For any gearmotor catalog number beginning with M1115XXX, must clarify from gearmotor type and frame columns as listed on the respective pages for that gearmotor type. For example, if gearmotor type and frame lists P303-30E, then use the 30 frame conduit box kit M1760021.00. If gearmotor type and frame lists 10F60-25, then use conduit box kit M1760000.00.

Specifications are subject to change without notice



Sub-FHP Gearmotor "L" Mounting Bracket

Optional "L" brackets can be used to mount parallel shaft type PZ or PE350 gearmotors of steel construction. They are painted and include screws for mounting to the motor, but not the application.



Catalog Number	Frame	List Price	Dimensions (inches)									
			A	B	C	1D1	1D2	1D3	X	BA	F	E
M1760003.00	PZ Gearmotors	56	3.75	4.5	3.94	3	2.3	1.5	2.6	1.5	1.88	3.75
M1760011.00**	PE350 Gearmotors	68	4.50	6	5.52	4	3.1	2.2	3.6	1.5	2.50	5.00
M1760029.00Δ	PE350 Gearmotors	71	4.50	6	5.52	4	3.1	2.2	3.6	1.5	2.50	5.00

*Maximum radial load no greater than 50 lbs. This bracket can also be used on DC motors in the 34 frame having the style C mounting.

**Maximum radial load no greater than 200 lbs.

Δ Washguard PE350 LBracket

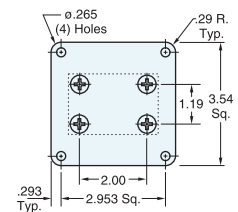
Specifications are subject to change without notice

Sub-FHP Gearmotor Right-Angle Base Kit

This optional base kit can be used with the 10 Series right-angle gearmotors. (Includes screws for mounting to gearbox, but not the application.)

Catalog Number	List Price
M1760006.00	61

Specifications are subject to change without notice



For SUB-FHP Right-Angle AC Gearmotors

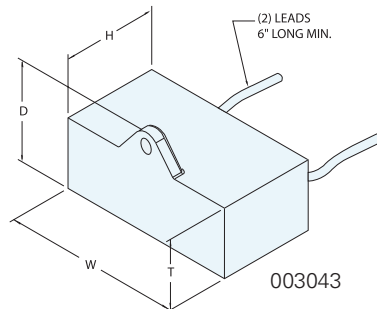
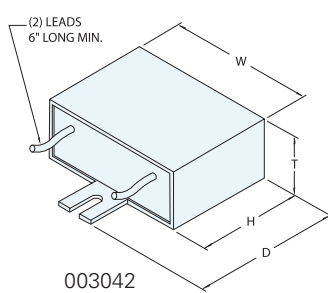
MFD Rating	Voltage Rating	Catalog Number	List Price	Dimensions (inches)			
				W	H	T	D
10	250	003043.05	51	1.89	1.14	0.75	1.14
15	300	003042.05	57	2.28	1.61	1.14	2.48

For SUB-FHP P240 & PE350 AC Gearmotors

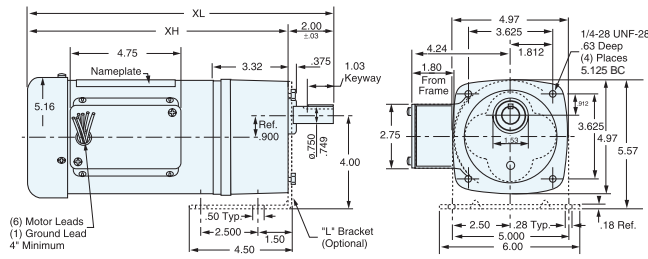
Gearmotor Type	MFD Rating	Voltage Rating	Catalog Number	List Price	Dimensions (inches)			
					W	H	T	D
P240	7.5	250	003042.02	57	1.89	1.14	0.75	2.01
PE350	10	250	003042.06	51	1.89	1.24	0.89	2.11
P240	15	300	003042.05	57	2.28	1.61	1.14	2.48
PE350	15	250	003042.04	67	2.28	1.46	0.93	2.33

For SUB-FHP AC PZ Series Gearmotors

MFD Rating	Voltage Rating	Catalog Number	List Price	Dimensions (inches)			
				W	H	T	D
3	250	003043.01	57	1.22	0.93	0.57	0.97
10	250	003043.05	51	1.89	1.14	0.75	1.14



PE350 THREE PHASE

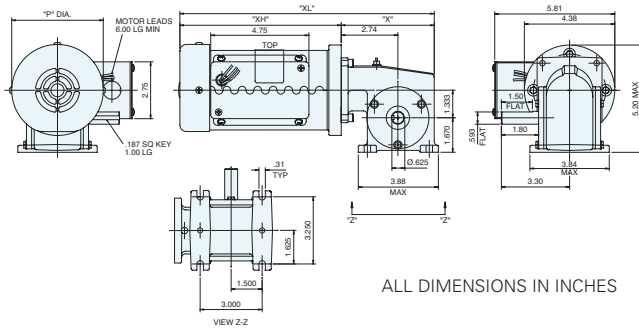


Three Phase - 230-460 Volt - TEFC - PE350 Series

Output RPM	FL. Torque (Lb. In.)	Input HP	Catalog Number	Stock	List Price	Model Number	Gear-motor Type & Frame	Ratio to 1	FL. Amps @230V	Over-hung Load (lb.)	Dimensions (inches)				♥Notes
											P	X	XL	XH	
9	341	1/6	096065.00	√	739	C42T17FZ34	PE353-42	180	1.0	327	5.16	3.32	12.57	10.57	S, US
29	300	1/4	096066.00	√	745	C42T17FZ29	PE353-42	58	1.2	327	5.16	3.32	13.07	11.07	S, US
58	244	1/4	096067.00	√	745	C42T17FZ30	PE353-42	30	1.2	327	5.16	3.32	13.07	11.07	S, US
85	165	1/4	096068.00	√	732	C42T17FZ31	PE352-42	20	1.2	327	5.16	3.32	13.07	11.07	S, US
173	92	1/4	096069.00	√	732	C42T17FZ32	PE352-42	10	1.2	327	5.16	3.32	13.07	11.07	S, US
325	50	1/4	096070.00	√	732	C42T17FZ33	PE352-42	5	1.2	327	5.16	3.32	13.07	11.07	S, US

♥ Note listing on inside back flap
Specifications are subject to change without notice

13 SERIES – AC



Three Phase - 230 Volt - TEFC - Right-Angle Series

Output RPM	FL. Torque (Lb. In.)	Input HP	Catalog Number	Stock	List Price	Model Number	Gear-motor Type & Frame	Ratio to 1	FL. Amps @230V	Over-hung Load (lb.)	Dimensions (inches)				♥Notes
											P	X	XL	XH	
29	238	3/8	M1145127.00	√	894	M38T17FZ7	13F60-38	60	1.3	235	4.43	4.5	12.31	7.81	S, US
43	228	3/8	M1145128.00	√	894	M38T17FZ8	13F40-38	40	1.3	235	4.43	4.5	12.31	7.81	S, US
86	138	3/8	M1145129.00	√	894	M38T17FZ9	13F20-38	20	1.3	235	4.43	4.5	12.31	7.81	S, US
172	105	3/8	M1145130.00	√	894	M38T17FZ10	13F10-38	10	1.3	235	4.43	4.5	12.31	7.81	S, US
345	54	3/8	M1145131.00	√	894	M38T17FZ11	13F05-38	5	1.3	235	4.43	4.5	12.31	7.81	S, US

♥ Note listing on inside back flap
Specifications are subject to change without notice

AC / DC Controls

Quick Reference



DC Adjustable
Speed Drives

Speedmaster® DC drives for use with SCR rated motors. Models range from sub-FHP through 3 HP. NEMA® 1, NEMA 4/12 and NEMA 4X enclosures available. Low voltage controls available through 120 amps @12/24 V and 100 amps @ 36/48 V.



SM2/SM4
Series Flux
Vector
Sub-Micro
AC Inverters

Speedmaster sensorless vector drives with “big drive” features and ultra-compact size. SM2 - 1/2 through 25 HP. IP31 enclosure — NEMA 1 Type. SM4 - 1/2 through 10 HP IP65 NEMA 4.



SM Series
Sub-Micro
AC Inverters

Speedmaster adjustable speed drives for simpler applications not requiring the advanced features of the SM-Plus Series. Models range from 1/3 through 25 HP. IP20 enclosure — chassis mount.



Micro Series
NEMA Enclosed
AC Inverters

Speedmaster adjustable speed drives with plain-English programming and read-out. Models range from 1/4 through 150 HP. NEMA 1 enclosure.



Micro Series
Washguard®
AC Inverters

Speedmaster adjustable speed drives in NEMA 4/12 and NEMA 4X enclosures. Plain-English programming and read-out. Models range from 1/4 through 125 HP.



Platinum e™
Series
AC Inverters

Platinum e™ Series Drives are for use with an AC induction motor or a PMAC motor. IP20 enclosure protection. 1/3 HP through 30 HP.

NEW!

LEESON® Speedmaster® inverters are feature rich controls offering great process control and operating efficiency for your AC Motors. With our broad family of controls, we have the solution for your application needs at a competitive price.



Basic Features	Micro Series	SM-Plus	SM-Basic	SM2 Vector	SM4 Vector	Platinum VSD	Platinum e™ VSD - Plus
Enclosure Type	IP31 & IP65/54	IP20	IP20	IP31	IP65	IP21	IP21
Enclosure Material	Steel	Plastic	Plastic	Plastic	Plastic	Plastic	Plastic
Number Pre-set Speeds	4	7	7	8	8	16	16
Washdown Duty	Yes	No	No	No	Yes	No	No
FWD & REV	Yes	Yes	Yes	Yes	Yes	Yes	Yes
Password Protected	Yes	Yes	Yes	Yes	Yes	Yes	Yes
Dynamic Brake Kits	Yes	Yes	Yes	No	No	No	Yes
Relays	Yes	Yes	Yes	Yes	Yes	Yes	Yes
EPM Programmable	No	Yes	Yes	Yes	Yes	Yes	Yes
Open Loop Vector	No	No	No	Yes	Yes	Yes	Yes
Closed Loop Vector	No	No	No	No	No	No	Yes
PMAC Motor Control	No	No	No	No	No	Yes	Yes
PID Software	Yes	No	No	Yes	Yes	Yes	No
Remote Keypads	Yes	Yes	Yes	Yes	Yes	Yes	Yes
Slip Compensation	Yes	Yes	Yes	Yes	Yes	Yes	Yes
Speed Reference Signals	Yes	Yes	Yes	Yes	Yes	Yes	Yes
Display - Words or codes	Words	3- digit	3 - digit	4 - digit	4 - digit	Words & Codes	Words & Codes
Adjustable carrier frequency	2.5 - 14 kHz	4 - 10 kHz	4 - 10 kHz	4 - 10 kHz	4 - 10 kHz	2 - 16 kHz	2 - 16 kHz
DC Braking	Yes	Yes	Yes	Yes	Yes	Yes	Yes
Fault History	Yes	Yes	Yes	Yes	Yes	Yes	Yes
Max. HP @ 460 Volts	150	30	15	60	30	3	30
Max. HP @ 230 Volts	60	20	15	20	20	3	3
1 Phase Input / 3 Phase Output	Yes	Yes	Yes	Yes	Yes	Yes	Yes
Output frequency	120	240 Hz	240 Hz	500 Hz	500 Hz	599 Hz	599 Hz

AC / DC Controls

DC Adjustable Speed Drives

SCR Thyristor Controls



LEESON® Speedmaster® DC Control Information

PWM and SCR Controls

General Specifications:

- General purpose for permanent magnet or shunt wound DC motors
- NEMA® 4X and 4/12 suitable for washdown applications
- Dual voltage capable on most designs – see HP range
- 115 / 230 volt single-phase input voltage – DC 90 volt or 180 volt output
- Adjustable minimum and maximum speed
- Speed pot included on chassis controls
- Adjustable IR compensation
- Heat sinks required as noted
- PWM controls provide quieter operation, lower motor temperature and greater motor overload capacity

Regenerative Controls

General Specifications:

- Four quadrant controls for precise motion control
- NEMA 4X or chassis style
- Motoring and braking torque regulation ¼ HP through 2 HP

For NEMA Frame Motors & Gearmotors

SCR Controls - Enclosed - Single Phase Input 50/60 Hz

Description	Catalog Number	List Price	Output Amps	HP Range		App. Wgt. (lbs.)
				115V	230V	
NEMA 1 General Purpose						
— Non-Reversing	174307.00	460	10	1/8 to 1 Δ	1/4 to 2 Δ	5
— Reversing with dynamic braking	174308.00	629	10	1/8 to 1 Δ	1/4 to 2 Δ	5
— Heat Sink Δ	174316.00	103	—	—	—	1
NEMA 4X Washdown — Dust-Tight						
— Non-Reversing, Plastic Enclosure	174102.00	626	10	1/8 to 1 H	1/4 to 2	6
— Non-Reversing, Plastic Enclosure	174103.00	911	10	1/8 to 1 H	1/4 to 2	7
with Signal Follower						
— Reversing, Plastic Enclosure*	174107.00	850	10	1/8 to 1 H	1/4 to 2	7
NEMA 4						
— Non-Reversing 3HP	174709.00	1,203	15	—	3	8

See footnotes on page 363

Specifications are subject to change without notice

LEESON® Speedmaster® DC Control Information

SCR Controls - Open Chassis

Description	Catalog Number	List Price	Output Amps	HP Range		App. Wgt. (lbs.)
				115V	230V	
Chassis with Speed Pot-Non Reversing	174311.00	255	10	1/8 to 1 ■	1/4 to 2 ■	1
Chassis Heat Sink ■	174314.00	76	—	—	—	1

Specifications are subject to change without notice

Regenerative SCR Drives - Four Quadrant - Full Wave

Description	Catalog Number	List Price	Output Amps	HP Range		App. Wgt. (lbs.)
				115V	230V	
NEMA 4X Washdown ♣	175720.00	1,313	10	1/4 to 1 ▼	1/2 to 2 ▼	8
Open Chassis with Speed Pot ♣	175721.00	847	10	1/4 to 1 ▼	1/2 to 2 ▼	2
Chassis Heat Sink ▼	175722.00	147	—	—	—	2



Specifications are subject to change without notice

For Subfractional HP Motors & Gearmotors

PWM & SCR Controls - Enclosed - Single Phase Input 50/60 Hz

Description	Catalog Number	List Price	Output Amps	HP Range		App. Wgt. (lbs.)
				115V	230V	
NEMA® 1 General Purpose						
—SCR Non-Reversing	M1740005.00	441	3	1/40 to 1/8	1/40 to 1/4	5
—SCR Reversing With Dynamic Braking	M1740006.00	596	3	1/40 to 1/8	1/40 to 1/4	5
—PWM Non-Reversing	M1740008.00	383	3	1/40 to 1/8	1/40 to 1/4	2

Specifications are subject to change without notice

PWM & SCR Controls - Open Chassis

Description	Catalog Number	List Price	Output Amps	HP Range		App. Wgt. (lbs.)
				115V	230V	
Open Chassis SCR Type						
—Chassis with Speed Pot-Non Reversing	M1740007.00	245	1.5	1/40 to 1/8	1/40 to 1/4	1
Open Chassis PWM Type						
—Chassis with Speed Pot-Non Reversing	M1740009.00	285	2	1/40 to 1/8	—	1

* Drive does not have dynamic braking. Motor shaft must be at zero speed before reversing.

Δ Heat sink #174316 is required for NEMA 1 type 3/4 and 1HP 115V and 11/2 and 2HP 230V when the amp draw of the motor exceeds 5 amps.

■ Chassis Heat Sink #174314 required for 3/4 and 1HP 115V and 11/2 and 2HP 230V when the amp draw of the motor exceeds 5 amps.

▼ Chassis Heat sink #175722 required for 1HP and above when the amp draw of the motor exceeds 5 amps.

♣ Regenerative drives are reversible and have regenerative braking.

Specifications are subject to change without notice



AC / DC Controls

DC Adjustable Speed Drives - SCR Controls

15 Series

General Specifications:

- 0-90 / 0-180 volts DC
- Adjustable min. and max. speed
- Adjustable IR compensation
- Fixed acceleration - 5 seconds
- 5K ohm speed potentiometer included
- 25:1 speed range and 1% speed regulation



NEMA 4/12
Non-Reversing



Figure 1



Figure 2

Description	Catalog Number	List Price	Output Amps	HP Range		App. Wgt. (lbs.)
				115V	230V	
NEMA® 4/12 Non-Reversing	174696.00	297	3	1/3	2/3	1
Chassis - Figure 1	174695.00	171	2	1/6	1/6	1
Chassis - Figure 2	174694.00	171	2	1/6	1/6	1

Specifications are subject to change without notice

Low Voltage Adjustable Speed Controllers

General Specifications:

- Chassis type design
- DC input / DC output
- Speed potentiometer shipped loose
- High efficient designs increase battery life



Features:

- 40:1 speed range
- Holds speed control as battery discharges
- Adjustable min. and max. speeds
- IR compensation
- 200% current limit overload protection
- Inhibit pins provide optional start-stop
- Power on LED indicator

For NEMA Frame Motors & Gearmotors

SCR Controls - Enclosed - Single Phase Input 50/60 Hz

Input Voltage	Catalog Number	List Price	Output Amps	Dimensions (inches)			App. Wgt. (lbs.)
				Length	Width	Height	
12/24	175290.00	551	16	6.90	4.44	2.19	2
12/24	175291.00	671	60	7.78	6.90	3.25	4
36/48	175292.00	671	60	7.78	6.90	3.25	4

Specifications are subject to change without notice



General Specifications:

- Chassis type design
- DC input / DC output
- Speed potentiometer shipped loose
- High efficient designs increase battery life



Features:

- Sleep mode feature
- Accepts switch closure for reversing and braking
- Built-in short circuit protection
- 1.01 Form factor
- Built-in temperature sensor
- On board trim pots for calibration, speed and forward and reverse settings

Four Quadrant Control

Input Voltage	Catalog Number	List Price	Output Amps	Dimensions (inches)			App. Wgt. (lbs.)
				Length	Width	Height	
12/24	174298.00	1,191	120	6.90	5.00	2.50	3
36/48	174299.00	1,191	100	6.90	5.00	2.50	3

Specifications are subject to change without notice

Dual Mode - Dual Speed Controllers

- SCR Control designed to run two DC motors at the same time in either Independent mode or Slave/ Master mode
- Open chassis design
- Dual voltage, 115-230 VAC input with jumper
- Selectable 90/180 VDC output
- Jumper selectable speed and torque mode
- Two trim pots each for the minimum speed, maximum speed, IR compensation, current limit and acceleration/deceleration
- Comes standard with two potentiometers



HP	Input Voltage	Output Amps	Output Voltage	Catalog Number	List Price	App. Wgt. (lbs)
1 HP @ 90 VDC	115/230	10*	0-90/0-180	174422.00	396	3
2 HP @ 180 VDC						

* Heat sink 174314.00 is required if one side provides more than 5A or the output on both sides is more than 6.5A. Specifications are subject to change without notice

Control Accessories

Description	Catalog Number	List Price
Inhibit Plug	900282.01	52
Speed Pot (10k/5w pot, washers & nut)	006708.01	66



Specifications are subject to change without notice



AC / DC Controls

FHP™ Series AC Controls

AC Adjustable Speed Drives

General Specifications:

The FHP Series volts/hertz-type AC drives are as simple to set-up and calibrate as an SCR-type DC drive.

Compact chassis design maintains industry standard mounting hole locations.

Features:

Common features for chassis and enclosed units:

- Compact size – (4.30" x 3.70")
- Output voltage on dual voltage models is jumper selectable and has voltage doubler
- Acceleration and deceleration trim pots
- Torque, maximum speed and torque limit trim pots
- Torque 'foldback' feature – Allows up to 200% torque for short periods
- 16kHz switching frequency, with option to change between 4 and 16kHz
- Adjustable torque boost for startup – Up to 200%
- Color-coded on-board LEDs for power, fault and torque limit
- Easy start/stop and direction control with enable and direction terminal connections
- Accepts speed reference from 0-5VDC isolated signal
- Speed potentiometer shipped loose
- Plug-in Process Control Module (PCM) kit available to accept 0-5 VDC, 0-10 VDC or 4-20mA input
- UL listed

Special features of the NEMA® 4X drive:

- NEMA® 4X enclosure
- Jumper selectable DC injection braking or coast to stop
- Brake time and current are adjustable
- Built-in isolation card to accept a speed reference signal
- Min speed adjustment
- Auto or manual restart after power loss

PARAMETER	SPECIFICATIONS FOR ALL FHP MODELS
Max load	150% for 5 minutes
Output frequency	0-120Hz
Output type	6 step PWM
Switching frequency	4-16kHz range* with 16kHz as factory default
Speed regulation and range	±3% of base speed; up to 50:1
On-board adjustable trim pots	Max speed, accel, decel, boost & torque limit
Adjustable maximum frequency range	32-120Hz
Adjustable accel and decel time range	1-12 seconds
Torque boost range	0-200%
LED indicators	Power (green), Fault‡ (red), Torque Limit (yellow)
Instantaneous over-current trip time	3 µsec
Analog reference input and impedance	0-5VDC isolated, ~100Kohm
Plug-in PCM isolator card input	0-5 VDC, 0-10VDC, 4-20mA
Ambient temperature range	0-40°C
Weight (Chassis Models)	1.2 lbs.
Vibration (>50Hz)	0.5G max (20-50Hz); 0.1G max
Approvals	UL, cUL

* Plug-in capacitor kit (175325.00) for field adjustments to less than 16khz

‡ Faults are Over-voltage, Under-voltage and Instantaneous Over Current trip





Single Phase Input / Single or Three Phase Output

HP	Input Voltage	Output Amps	Output Voltage	Catalog Number	List Price	App. Wgt. (lbs)
1/4	115	2.4	115	175320.00	404	3
1/2	230	2.4	230	175321.00	404	3
1/2	115/230	2.4	230	175310.00	513	3
1/2	115	4.0	115	175322.00	502	4
1	230	4.0	230	175323.00	497	4
1	115/230	4.0	230	175311.00	650	4

Specifications are subject to change without notice

FHP Series AC Drives - Accessories

Description	Catalog Number	List Price	App. Wgt. (lbs)
Process Control Module (PCM) Kit*	175324.00	125	2
Carrier Frequency Capacitor Kit	175325.00	30	1

* PCM Kit is for use with chassis drives only.
 Specifications are subject to change without notice

AC / DC Controls

FHP Series AC Drives - NEMA 4X (IP65)

- NEMA® 4X enclosure
- Min speed adjustment
- Jumper selectable features:
 - DC injection braking or coast to stop
 - Brake time and current are adjustable
 - Auto or manual restart after power loss
- Built-in isolation card to accept a speed reference signal



Single Phase Input / Three Phase Output

HP	Input Voltage	Output Amps	Output Voltage	Catalog Number	List Price	App. Wgt. (lbs)
1/6 - 1	115/230	4.0	230	175326.00	914	7

Specifications are subject to change without notice

AC / DC Controls

Micro Series AC Inverters

NEMA® 1, IP31 Enclosure Protection

Features:

- Full feature, English read-out parameters
- 16 bit Intel microprocessor
- Choice of using factory "Quick Start" program settings
- Output frequency to 120 Hz. Higher frequency available
- 150% overload capacity for one minute
- Speed reference signals - potentiometer, 0-10 VDC or 4-20mA inputs
- Output signal, 0-10 VDC, speed or load
- Two auxiliary contacts, one form C relay and two open collector outputs
- 4 preset speeds
- Slip compensation
- Adjustable carrier frequency
- Adjustable acceleration and deceleration times
- Forward and reverse
- Time and voltage adjustable DC braking
- Password protected
- Constant torque-with adjustable current limit
- Steel enclosure with aluminum heat sinks
- Dynamic braking kits available
- Remote keypads available
- PID software built-in for motor feedback
- UL Listed

PDF file of manual available at
www.leeson.com/Technical Information



NEMA® 1



NEMA 1 (IP31) - Single Phase Input / 230V Three Phase Output (Use with three phase 230V motor)

HP	Output Amps @ 230 Volts	Input Voltage	Catalog Number	List Price	App. Wgt. (lbs)	Dimension Key
1/4	1.4	115/230	174930.00	1,091	5	A
1/2	2.2	115/230	174997.00	1,315	7	AC
1	4.0	115/230	174931.00	1,326	7	D
1 1/2	5.2	115/230	174932.00	1,469	7	D
2	6.8	200-230	174933.00	1,401	9	E
3	9.6	200-230	174934.00	1,542	9	E

Specifications are subject to change without notice

Dimension Table see page 388-389



NEMA® 1, IP31 Enclosure Protection

Voltage	HP	Output Amps	Input Voltage	Catalog Number	List Price	App. Wgt. (lbs)	Dimension Key
200-240 Volts	1/2	2.2	200-240	174914.00	1,156	6	B
	1	4.0	200-240	174915.00	1,213	6	C
	1.5	5.2	200-240	174916.00	1,271	6	C
	2	6.8	200-240	174917.00	1,358	9	E
	3	9.6	200-240	174918.00	1,460	9	E
	5	15.2	200-240	174919.00	1,726	11	F
	7 1/2	25.0	200-240	174545.00	2,553	13	M
	10	28.0	200-240	174551.00	3,304	15	L
	15	42.0	200-240	174557.00	4,360	19	N
	20	54.0	200-240	174560.00	5,916	21	P
	25	68.0	200-240	174569.00	7,166	38	T
30	80.0	200-240	174571.00	8,598	44	T	
400-480 Volts	1	2.0	400-480	174920.00	1,455	6	B
	2	3.4	400-480	174921.00	1,596	7	D
	3	4.8	400-480	174922.00	1,726	9	E
	5	7.6	400-480	174923.00	1,942	9	E
	10	14.0	400-480	174552.00	3,583	13	M
	15	21.0	400-480	174558.00	4,601	15	L
	20	27.0	400-480	174561.00	6,104	17	N
	25	34.0	400-480	174563.00	7,197	21	P
	30	40.0	400-480	174565.00	7,836	21	P
	40	52.0	400-480	174567.00	9,031	35	T
	50	65.0	400-480	174593.00	11,007	44	W
	60	77.0	400-480	174572.00	12,094	67	W
	75	96.0	400-480	174580.00	15,331	185	AG
	100	124.0	400-480	174582.00	18,642	250	AH
	125	156.0	400-480	174584.00	20,946	260	AH
150	180.0	400-480	174586.00	28,575	360	AL	
480-590 Volts	1	1.6	480-590	174925.00	1,613	6	B
	2	2.7	480-590	174926.00	1,783	7	D
	3	3.9	480-590	174927.00	1,970	9	E
	5	6.1	480-590	174928.00	2,149	9	F
	7 1/2	9.0	480-590	174929.00	2,626	11	I
	10	11.0	480-590	174553.00	4,002	13	R
	15	17.0	480-590	174559.00	5,283	17	N
	20	22.0	480-590	174562.00	6,710	19	O
	25	27.0	480-590	174564.00	7,924	21	P
	30	32.0	480-590	174566.00	8,875	22	S
	40	41.0	480-590	174599.00	9,844	38	T
	50	52.0	480-590	174594.00	11,941	45	W
60	62.0	480-590	174573.00	13,358	51	W	

Specifications are subject to change without notice

Dimension Table see page 388-389



AC / DC Controls

Washguard® Micro Series AC Inverters

NEMA® 4/12 (IP65/IP54)

Epoxy Coated

General Specifications:

- Food-safe white epoxy finish
- No external cooling fan required
- Water, oil and dust-tight enclosure protected
- Same features as Micro Series inverters as shown on previous page



WASHGUARD NEMA® 4/12

Three Phase Input / Output

Voltage	HP	Output Amps	Input Voltage ▣	Catalog Number	List Price	App. Wgt. (lbs)	Dimension Key
200-240 Volts	1/2	2.2	200-240	174935.00	1,636	8	G
	1	4.0	200-240	174936.00	1,777	8	G
	1 1/2	5.2	200-240	174482.00	1,801	8	Y
	2	6.8	200-240	174937.00	1,903	10	H
	3	9.6	200-240	174938.00	2,059	11	J
	5	15.2	200-240	174730.00	2,538	11	K
	7 1/2	22.0	200-240	174734.00	3,520	27	Q
	10	28.0	200-240	174737.00	4,441	32	U
	15	43.0	200-240	174740.00	5,355	40	V
	20	54.0	200-240	174743.00 ◀	6,876	42	AA
400-480 Volts	25	68.0	200-240	174595.00 ◀	9,422	53	Z
	30	80.0	200-240	174596.00 ◀	9,983	53	Z
	1	2.0	400-480	174939.00	2,001	8	G
	2	3.4	400-480	174940.00	2,208	10	H
	3	4.8	400-480	174941.00	2,367	10	H
	5	7.6	400-480	174942.00	2,616	11	J
	10	14.0	400-480	174554.00	4,421	11	Q
	15	21.0	400-480	174749.00	5,508	32	U
	20	27.0	400-480	174752.00	7,062	36	V
	25	34.0	400-480	174755.00 ◀	8,154	42	AA
	30	40.0	400-480	174757.00 ◀	8,912	53	AA
	40	52.0	400-480	174513.00 ◀	10,309	54	Z
	50	65.0	400-480	174511.00 ◀	11,963	75	AB
	60	77.0	400-480	174574.00 ◀	13,470	98	AB
480-590 Volts	75	96.0	400-480	174581.00 ◀	16,628	200	AJ
	100	124.0	400-480	174583.00 ◀	20,083	300	AO
	125	156.0	400-480	174585.00 ◀	22,819	310	AO
	1	1.6	480-590	174943.00	2,177	8	G
	2	2.7	480-590	174944.00	2,428	10	H
	3	3.9	480-590	174945.00	2,649	10	H
	5	6.1	480-590	174946.00	2,851	11	J
	7 1/2	9.0	480-590	174549.00	3,918	13	K
	10	11.0	480-590	174556.00	5,141	17	Q
	15	17.0	480-590	174763.00	6,210	38	U
	20	22.0	480-590	174766.00	7,560	40	V
	25	27.0	480-590	174769.00 ◀	9,016	42	AA
30	32.0	480-590	174597.00 ◀	9,894	53	AA	
40	41.0	480-590	174512.00 ◀	11,455	54	Z	
50	52.0	480-590	174510.00 ◀	13,374	75	AB	
60	62.0	480-590	174575.00 ◀	14,960	98	AB	

- ◀ Enclosures are NEMA 12 only – others are NEMA 4/12
 ▣ User programmable for 50Hz and other voltage inputs

Specifications are subject to change without notice

Dimension Table see page 388-389



AC / DC Controls

Washguard® Micro Series AC Inverters

NEMA® 4X (IP65)
Stainless Steel



WASHGUARD NEMA® 4X

General Specifications:

- 300-Series stainless steel
- No external cooling fans
- Must be protected from caustic agents
- Same features as NEMA 1 Micro Series inverters

Three Phase Input / Output

Voltage	HP	Output Amps	Input Voltage ▣	Catalog Number	List Price	App. Wgt. (lbs)	Dimension Key
200-240 Volts	1/2	2.2	200-240	174527.00	1,921	8	G
	1	4.0	200-240	174528.00	2,061	8	G
	1 1/2	5.2	200-240	174529.00	2,157	8	Y
	2	6.8	200-240	174530.00	2,286	10	H
	3	9.6	200-240	174531.00	2,402	11	J
	5	15.2	200-240	174732.00	3,344	11	K
	7 1/2	22.0	200-240	174735.00	4,116	27	Q
	10	28.0	200-240	174738.00	5,134	32	U
400-480 Volts	15	43.0	200-240	174741.00	6,273	40	V
	1	2.0	400-480	174532.00	2,264	8	G
	2	3.4	400-480	174533.00	2,566	10	H
	3	4.8	400-480	174534.00	2,752	10	H
	5	7.6	400-480	174535.00	3,142	11	J
	10	14.0	400-480	174747.00	5,277	11	Q
	15	21.0	400-480	174750.00	6,315	32	U
480-590 Volts	20	27.0	400-480	174753.00	7,795	36	V
	1	1.6	480-590	174536.00	2,460	8	G
	2	2.7	480-590	174537.00	2,746	10	H
	3	3.9	480-590	174538.00	2,971	10	H
	5	6.1	480-590	174539.00	3,362	11	J
	7 1/2	9.0	480-590	174759.00	4,545	13	K
	10	11.0	480-590	174761.00	5,832	17	Q
	15	17.0	480-590	174764.00	7,005	38	U
20	22.0	480-590	174767.00	8,470	40	V	

▣ User programmable for 50Hz and other voltage inputs

Specifications are subject to change without notice

Dimension Table see page 388-389

AC / DC Controls

Washguard® Micro Series AC Inverters

NEMA® 4X (IP65)

Stainless Steel

Washguard NEMA 4X (IP65) Stainless Steel - Single Phase Input - 230 Volt Three Phase Output

(Use with three phase 230V motor)

HP	Output Amps	Input Voltage ▣	Catalog Number	List Price	App. Wgt. (lbs)	Dimension Key
1/4	1.4	115/230	174519.00	1,879	8	AD
1/2	2.2	115/230	174520.00	2,089	8	X
1	4.0	115/230	174521.00	2,239	11	H
1 1/2	5.2	115/230	174517.00	2,752	11	H
2	6.8	208-230	174525.00	2,354	11	H
3	9.6	208-230	174526.00	2,469	12	J

▣ User programmable for 50Hz and other voltage inputs

Specifications are subject to change without notice

Dimension Table see page 388-389

Washguard NEMA 4 (IP65) Epoxy Coated - Single Phase Input - 230 Volt Three Phase Output

(Use with three phase 230V motor)

HP	Output Amps	Input Voltage ▣	Catalog Number	List Price	App. Wgt. (lbs)	Dimension Key
1/4	1.4	115/230	174996.00	1,481	8	AD
1/2	2.2	115/230	174998.00	1,617	8	X
1	4.0	115/230	174999.00	1,770	11	H
1 1/2	5.2	115/230	174515.00	2,080	11	H
2	6.8	208-230	174475.00	1,884	11	H
3	9.6	208-230	174729.00	1,995	12	J

▣ User programmable for 50Hz and other voltage inputs

Specifications are subject to change without notice

Dimension Table see page 388-389

NEW!

AC / DC Controls Platinum e™ VSD Series IP20 Enclosure Protection

General Specifications:

- New state of the art inverter designs
- Space saving design: 2.36 in. (60 mm) wide, 5.12 in. (130 mm) deep, also zero-clearance mounting
- RoHS2-Compliance
- Fulfills IE2 according to new EN 50598-2
- Out of the box commissioning
- Easy commissioning with memory module
- Improved usability for easy commissioning
- Parameterization with USB module without external power supply
- Innovative interface options enable set-up times faster than ever before
- The wide-ranging modular system enables various product configurations depending on machine requirements
- Spring loaded control terminals (fixed)
- More functionalities for advanced application
- Fieldbus - CANopen/Modbus (optional)
- VFC Eco mode for more energy savings
- The Platinum e VSD is recommended in applications for pumps and fans, conveyors, formers, winders and machine tools

Features: Three set-up methods

- Keypad - If you only need to set up a few parameters, such as acceleration time, this can be done quickly from the keypad
- Smart Keypad for use with an Android App. Enables adjustment to a simple application such as a conveyor
- Easy Starter - For use if the function is needing a potentiometer or control, for positioning application needs to be set.



Gearmotors

AC / DC Controls

Accessories / Kits

Mots / Factory Options

X-Ref / Index

Tech Information

Warnings/Cautions

AC / DC Controls

Platinum e™ VSD Series

IP20 Enclosure Protection

NEW!

For Use With Three Phase Induction or PMAC Motors

Fieldbus	Input Voltage	HP	Output Amps	Catalog Number	List Price	App. Wgt. (lbs)	Dimensions H x W x D (in)
N/A	230/240 Volts - 1 or 3 Phase	1/3	1.7	176105.00	315	2	6.1 x 2.36 x 5.12
		1/2	2.4	176106.00	370	2	6.1 x 2.36 x 5.12
		3/4	3.2	176107.00	411	2	7.09 x 2.36 x 5.12
		1	4.2	176108.00	438	2	7.09 x 2.36 x 5.12
		1 1/2	6.0	176109.00	507	3	9.84 x 2.36 x 5.12
		2	7.0	176110.00	589	3	9.84 x 2.36 x 5.12
		3	9.6	176111.00	671	3	9.84 x 2.36 x 5.12
CANopen/Modbus	230/240 Volts - 1 or 3 Phase	1/3	1.7	176112.00	397	2	6.1 x 2.36 x 5.12
		1/2	2.4	176113.00	452	2	6.1 x 2.36 x 5.12
		3/4	3.2	176114.00	493	2	7.09 x 2.36 x 5.12
		1	4.2	176115.00	520	2	7.09 x 2.36 x 5.12
		1 1/2	6.0	176116.00	589	3	9.84 x 2.36 x 5.12
		2	7.0	176117.00	671	3	9.84 x 2.36 x 5.12
		3	9.6	176118.00	753	3	9.84 x 2.36 x 5.12
N/A	400/480 Volts - 3 Phase	1/2	1.3	176120.00	658	2	6.1 x 2.36 x 5.12
		3/4	1.8	176121.00	684	2	7.09 x 2.36 x 5.12
		1	2.4	176122.00	712	2	7.09 x 2.36 x 5.12
		1 1/2	3.2	176123.00	753	3	9.84 x 2.36 x 5.12
		2	3.9	176124.00	807	3	9.84 x 2.36 x 5.12
		3	5.6	176125.00	890	3	9.84 x 2.36 x 5.12
CANopen/Modbus	400/480 Volts - 3 Phase	1/2	1.3	176127.00	740	2	6.1 x 2.36 x 5.12
		3/4	1.8	176128.00	766	2	7.09 x 2.36 x 5.12
		1	2.4	176129.00	794	2	7.09 x 2.36 x 5.12
		1 1/2	3.2	176130.00	835	3	9.84 x 2.36 x 5.12
		2	3.9	176131.00	890	3	9.84 x 2.36 x 5.12
		3	5.6	176132.00	972	3	9.84 x 2.36 x 5.12

Specifications are subject to change without notice

Accessories	Catalog Number	List Price
Keypad Interface	174356.00	95
USB Interface	174357.00	69
WiFi Direct Interface Module	174358.00	221
Blank Interface Cover (4-pack)	174359.00	35

Specifications are subject to change without notice



NEW!

AC / DC Controls Platinum e™ VSD - Plus Series IP20 Enclosure Protection

General Specifications:

- New state of the art inverter designs
- Space saving design: 2.36 in. (60 mm) wide, 5.12 in. (130 mm) deep, also zero-clearance mounting
- RoHS2-Compliance
- Fulfills IE2 according to new EN 50598-2
- Out of the box commissioning
- Easy commissioning with memory module
- Improved usability for easy commissioning
- Parameterization with USB module without external power supply
- The wide-ranging modular system enables various product configurations depending on machine requirements
- The wide-ranging modular system enables various product configurations depending on machine requirements
- The Platinum e VSD is recommended in applications for pumps and fans, conveyors, formers, winders and machine tools
- Pluggable control terminal
- More functionalities for advanced application
- Fieldbus - EtherCAT, EtherNet/IP, Profinet, CANopen, Modbus, Profibus, (options)
- VFC Eco mode for more energy savings
- Innovative interface options enable set-up times faster than ever before

Features: Three set-up methods

- Keypad - If you only need to set up a few parameters, such as acceleration time, this can be done quickly from the keypad
- Smart Keypad for use with an Android App. Enables adjustment to a simple application such a conveyor
- Easy Starter - For use if the function is needing a potentiometer or control for a positioning application needs to be set



Gearmotors

AC / DC Controls

Accessories / Kits

Mots / Factory Options

X-Ref / Index

Tech Information

Warnings/Cautions

NEW!

AC / DC Controls

Platinum e™ VSD - Plus Series

IP20 Enclosure Protection

For Use With Three Phase Induction or PMAC Motors - Power Units

Input Voltage	HP	Output Amps	Catalog Number	List Price	App. Wgt. (lbs)	Dimensions H x W x D (in)
230/240 Volts - 1 or 3 Phase	1/3	1.7	176133.00	329	2	6.1 x 2.36 x 5.12
	1/2	2.4	176134.00	383	2	6.1 x 2.36 x 5.12
	3/4	3.2	176135.00	424	2	7.09 x 2.36 x 5.12
	1	4.2	176136.00	478	2	7.09 x 2.36 x 5.12
	1 1/2	6.0	176137.00	561	3	9.84 x 2.36 x 5.12
	2	7.0	176138.00	671	3	9.84 x 2.36 x 5.12
	3	9.6	176139.00	807	3	9.84 x 2.36 x 5.12
400/480 Volts - 3 Phase	1/2	1.3	176140.00	658	2	6.1 x 2.36 x 5.12
	3/4	1.8	176141.00	725	2	7.09 x 2.36 x 5.12
	1	2.4	176142.00	794	2	7.09 x 2.36 x 5.12
	1 1/2	3.2	176143.00	931	3	9.84 x 2.36 x 5.12
	2	3.9	176144.00	1,067	3	9.84 x 2.36 x 5.12
	3	5.6	176145.00	1,247	3	9.84 x 2.36 x 5.12
	5	9.5	176146.00	1,630	5	9.84 x 3.54 x 5.12
	7 1/2	13.0	176147.00	1,957	5	9.84 x 3.54 x 5.12
	10	16.5	176148.00	2,586	8	10.83 x 4.72 x 5.12
	15	23.5	176149.00	3,355	8	10.83 x 4.72 x 5.12
	20	32.0	176150.00	4,463	23	13.78 x 8.07 x 9.06
	25	40.0	176151.00	5,463	23	13.78 x 8.07 x 9.06
	30	47.0	176152.00	5,954	23	13.78 x 8.07 x 9.06

Specifications are subject to change without notice

Control Units

Type	Catalog Number	List Price
Standard I/O	174362.00	136
Application I/O	174363.00	219
CANopen - Standard I/O	174364.00	219
Modbus-RTU - Standard I/O	174365.00	219
Profibus-DP - Standard I/O	174366.00	275
EtherCat - Standard I/O	174367.00	355
Profinet - Standard I/O	174368.00	383
EtherNet/IP - Standard I/O	174369.00	355

Specifications are subject to change without notice

Accessories	Catalog Number	List Price
Keypad Interface	174356.00	95
USB Interface	174357.00	69
WiFi Direct Interface Module	174358.00	221
Blank Interface Cover (4-pack)	174359.00	35
Remote Keypad Kit	174370.00	180

Specifications are subject to change without notice



AC / DC Controls

SM2 Series Flux Vector Series AC Inverters

NEMA® 1 IP31 Enclosure Protection

Gearmotors

AC / DC Controls

Accessories / Kits

Modes / Factory Options

X-Ref / Index

Tech Information

Warnings/Cautions

General Specifications:

- Designed to be used with vector duty rated AC motors
- Open loop flux vector designs
- Typical applications would include: food processing, machinery, material handling and HVAC systems
- Enclosure: NEMA1, IP31, -10 to 55°C, 2.5% derate per °C above 40°C

Standard Features:

Easy Set-up and Operation: Program the vector control in one of four convenient ways:

- From the front of the drive
- The optional remote keypad
- A PC using TechLink software (Available free from www.leeson.com)
- The innovative EPM programmer



Modes of operation:

- Open loop flux vector (speed or torque)
- V/Hz (constant or variable)
- Enhanced V/Hz with auto-tuning

Easy to Use Keypad & Display 6-Button Interface:

- Start
- Stop
- Forward/reverse
- Scroll up
- Scroll down
- Enter/mode

Vivid Illumination:

- 4 digit LED display
- Easy to read from a distance
- Movable decimal point

Acceleration/Deceleration Profiles:

- Two Independent accel ramps
- Two Independent decel ramps
- Linear or S-type
- Auxiliary ramp-to-stop

Output Frequency:

- 500 Hz Std., 1000 Hz optional

Selectable Logic Assertion:

- Positive logic input (PNP current sourcing)
- Negative logic input (NPN current sinking)

AC / DC Controls

SM2 Series Flux Vector Series AC Inverters

NEMA® 1 IP31 Enclosure Protection

Multiple Braking Functions

- Loss of follower management
- Speed commands: keypad, jog, floating point control
- Voltage: Scalable 0-10 VDC
- Current: Scalable 4-20 mA, potentiometer
- 8 preset speeds
- Process control: PID modes: direct or reverse acting
- PID sleep mode
- Voltage monitoring
- Current monitoring
- Real time monitoring: 8 register fault history, software version drive network ID, DC bus
- Voltage (V), motor voltage (V), output current (%)
Motor current (A), motor torque (%), power (kW)
Energy consumption (kWh), heatsink
- Temperature (°C), 0-10 VDC input (user defined), 4-20 mA input (user defined) PID feedback (user defined), analog output (% load, % torque, kW), network speed (baud rate), terminal continuity, keypad status
- Elapsed run time (hours), elapsed power on time (hours)
- Standards: UL (USA), cUL (Canada), CE (Europe), GOST (Russia/Ukraine) C-Tick (Australia/New Zealand)

Single Phase Input / 230 Volt Three Phase Output

Voltage	HP	Output Amps	Input Voltage ■	Catalog Number	List Price	App. Wgt. (lbs)	Dimensions H x W x D (in.)
115-230 Volts	1/3	1.7	115/230	174603.00	571	3	7.5 x 3.9 x 4.35
	1/2	2.4	115/230	174604.00	587	3	7.5 x 3.9 x 4.35
	1	4.2	115/230	174605.00	654	3	7.5 x 3.9 x 4.35
	1 1/2	6.0	115/230	174651.00	824	5	7.5 x 3.9 x 5.45

Specifications are subject to change without notice

Single or Three Phase Input / 230 Volt Three Phase Output

Voltage	HP	Output Amps	Input Voltage ■	Catalog Number	List Price	App. Wgt. (lbs)	Dimensions H x W x D (in.)
208-240 Volts	1/3	1.7	208/240	174606.00£	520	3	7.5 x 3.9 x 4.35
	1/2	2.4	208/240	174607.00	546	3	7.5 x 3.9 x 4.35
	1	4.2	208/240	174608.00	577	3	7.5 x 3.9 x 4.35
	1 1/2	6.0	208/240	174609.00	643	4	7.5 x 3.9 x 5.45
	2	7.0	208/240	174610.00	699	4	7.5 x 3.9 x 5.45
	3	9.6	208/240	174611.00	885	4	7.5 x 3.9 x 5.45

- £ LEESON® model 174606.00 is single-phase input only
 ■ User programmable for 50Hz and other voltage inputs

Specifications are subject to change without notice



AC / DC Controls

SM2 Series Flux Vector Series AC Inverters

NEMA® 1 IP31 Enclosure Protection

Gearmotors

AC / DC Controls

Accessories / Kits

Mods / Factory Options

X-Ref / Index

Tech Information

Warnings/Cautions

Three Phase Input / Output

Voltage	HP	Output Amps	Input Voltage □	Catalog Number	List Price	App. Wgt. (lbs)	Dimensions H x W x D (in.)
200-240 Volts	1 1/2	6.0	200/240	174612.00	615	4	7.5 x 3.9 x 5.45
	2	7.0	200/240	174613.00	661	4	7.5 x 3.9 x 5.45
	3	9.6	200/240	174614.00	830	4	7.5 x 3.9 x 5.45
	5	16.5	200/240	174615.00	991	4	7.5 x 3.9 x 5.8
	7 1/2	23.0	200/240	174616.00	1,323	7	9.83 x 5.12 x 6.3
	10	29.0	200/240	174617.00	1,634	7	9.83 x 5.12 x 6.3
	15	42.0	200/240	174618.00	2,540	20	12.33 x 6.88 x 8.08
	20	54.0	200/240	174619.00	3,122	20	12.33 x 6.88 x 8.08
400-480 Volts	1/2	1.1	400/480	174620.00	631	3	7.5 x 3.9 x 4.35
	1	2.1	400/480	174621.00	677	3	7.5 x 3.9 x 4.35
	1 1/2	3.0	400/480	174622.00	734	4	7.5 x 3.9 x 5.45
	2	3.5	400/480	174623.00	783	4	7.5 x 3.9 x 5.45
	3	4.8	400/480	174624.00	922	4	7.5 x 3.9 x 5.45
	5	8.2	400/480	174625.00	1,043	4	7.5 x 3.9 x 5.8
	7 1/2	11.0	400/480	174626.00	1,321	7	9.83 x 5.12 x 6.3
	10	14.0	400/480	174627.00	1,632	7	9.83 x 5.12 x 6.3
	15	21.0	400/480	174628.00	2,547	20	12.33 x 6.88 x 8.08
	20	27.0	400/480	174629.00	3,131	20	12.33 x 6.88 x 8.08
	25	35.0	400/480	174630.00	3,886	20	12.33 x 6.88 x 8.08
	30	45.0	400/480	174991.00	4,613	14	12.5x6.92x8.09
	40	59.0	400/480	174992.00	5,129	24	14.19x8.72x10.07
	50	74.0	400/480	174710.00	7,045	31	17.19x8.72x10.07
60	87.0	400/480	174711.00	8,572	35	20.19x8.72x10.07	
480-590 Volts	1	1.7	480/590	174631.00	780	3	7.5 x 3.9 x 4.35
	2	2.7	480/590	174632.00	870	4	7.5 x 3.9 x 5.45
	3	3.9	480/590	174633.00	1,005	4	7.5 x 3.9 x 5.45
	5	6.1	480/590	174634.00	1,136	4	7.5 x 3.9 x 5.8
	7 1/2	9.0	480/590	174635.00	1,418	7	9.83 x 5.12 x 6.3
	10	11.0	480/590	174636.00	1,749	7	9.83 x 5.12 x 6.3
	15	17.0	480/590	174637.00	2,806	20	12.33 x 6.88 x 8.08
	20	22.0	480/590	174638.00	3,614	20	12.33 x 6.88 x 8.08
	25	27.0	480/590	174639.00	4,185	20	12.33 x 6.88 x 8.08

■ User programmable for 50Hz and other voltage inputs

Specifications are subject to change without notice



AC / DC Controls

SM4 Series Flux Vector Series AC Inverters

NEMA® 4 IP65 Enclosure Protection



General Specifications:

- Indoor use only inverter that is designed to be used with vector duty motors
- Typical applications would include: packaging machinery, food processing, conveying systems, machinery and HVAC systems
- Enclosure: NEMA 4, IP65, -10 to 55°C, derate per °C above 40°C

Standard Features:

Easy Set-up and Operation: Program the Vector control in one of four convenient ways:

- From the front of the drive
- The optional remote keypad
- A PC Using TechLink software (Available free from www.leeson.com)
- The innovative EPM programmer

Modes of operation:

- Open Loop Flux Vector (speed or torque)
- V/Hz (constant or variable)
- Enhanced V/Hz with auto-tuning

Easy to Use Keypad & Display

6-Button Interface:

- Start
- Stop
- Forward/reverse
- Scroll up
- Scroll down
- Enter/mode

Vivid Illumination:

- 4 digit LED display
- Easy to read from a distance
- Movable decimal point

Acceleration/Deceleration Profiles:

- Two independent accel ramps
- Two independent decel ramps
- Linear or S-type
- Auxiliary ramp-to-stop

Output Frequency:

- 500 Hz Std., 1000 Hz optional

Selectable Logic Assertion:

- Positive logic input (PNP current sourcing)
- Negative logic input (NPN current sinking)

Multiple Braking Functions

- Loss of follower management
- Speed commands: keypad, jog, floating point control
- Voltage: scalable 0-10 VDC
- Current: scalable 4-20 mA, potentiometer
- 8 Preset speeds
- Process control: PID modes: direct or reverse acting
- PID sleep mode
- Voltage monitoring
- Current monitoring
- Real time monitoring: 8 register fault history, software version drive network ID, DC bus
- Voltage (V), motor voltage (V), output current (%), motor current (A), motor torque (%), power (kW), energy consumption (kWh), heatsink
- Temperature (°C), 0-10 VDC input (user defined), 4-20 mA input (user defined) PID feedback (user defined), analog output (% load, % torque, kW), network speed (baud rate), terminal continuity, keypad status
- Elapsed run time (hours), elapsed power on time (hours)
- Standards: UL (USA), cUL (Canada), CE (Europe), GOST (Russia/Ukraine) C-Tick (Australia/New Zealand)

AC / DC Controls

SM4 Series Flux Vector Series AC Inverters

NEMA® 4 IP65 Enclosure Protection

Single Phase Input / Three Phase Output

(Use with three phase 230V motor)

Voltage	HP	Output Amps	Input Voltage [■]	Catalog Number	List Price	App. Wgt. (lbs)	Dimensions H x W x D (in.)
115/230 Volts	1/2	2.4	115/230	174652.00	758	4	8.0 x 6.28 x 4.47
	1	4.2	115/230	174653.00	864	4	8.0 x 6.28 x 4.47
	1 1/2	6.0	115/230	174654.00	1,052	4	8.0 x 6.28 x 4.47

■ User programmable for 50Hz and other voltage inputs

Specifications are subject to change without notice

Single or Three Phase Input / Three Phase Output

(Use with three phase 230V motor)

Voltage	HP	Output Amps	Input Voltage [■]	Catalog Number	List Price	App. Wgt. (lbs)	Dimensions H x W x D (in.)
208-240 Volts	1/2	2.4	208-240	174655.00	682	4	8.0 x 6.28 x 4.47
	1	4.2	208-240	174656.00	731	4	8.0 x 6.28 x 4.47
	1 1/2	6.0	208-240	174657.00	855	6	8.0 x 6.28 x 6.31
	2	7.0	208-240	174658.00	927	6	8.0 x 6.28 x 6.31
	3	9.6	208-240	174659.00	1,109	7	8.0 x 7.12 x 6.77

■ User programmable for 50Hz and other voltage inputs

Specifications are subject to change without notice

Three Phase Input / Three Phase Output

Voltage	HP	Output Amps	Input Voltage [■]	Catalog Number	List Price	App. Wgt. (lbs)	Dimensions H x W x D (in.)
208-240 Volts	5	16.5	208-240	174660.00	1,378	12	10.0 x 8.96 x 8.0
	7 1/2	23.0	208-240	174661.00 [∫]	1,853	11	10.0 x 8.04 x 8.0
	10	29.0	208-240	174662.00 [∫]	2,339	11	10.0 x 8.04 x 8.0
	15	42.0	208-240	174699.00 [∫]	3,297	25	14.5 x 9.42 x 9.45
	20	54.0	208-240	174700.00 [∫]	4,495	26	14.5 x 9.42 x 9.45
400-480 Volts	1/2	1.1	400-480	174671.00	817	4	8.0 x 6.28 x 4.47
	1	2.1	400-480	174672.00	879	4	8.0 x 6.28 x 4.47
	1 1/2	3.0	400-480	174673.00	951	6	8.0 x 6.28 x 6.31
	2	3.5	400-480	174674.00	1,036	6	8.0 x 6.28 x 6.31
	3	4.8	400-480	174675.00	1,181	6	8.0 x 6.28 x 6.31
	5	8.2	400-480	174676.00	1,464	12	10.0 x 8.96 x 8.0
	7 1/2	11.0	400-480	174677.00	1,844	12	10.0 x 8.96 x 8.0
	10	14.0	400-480	174678.00 [∫]	2,204	11	10.0 x 8.04 x 8.0
	15	21.0	400-480	174701.00 [∫]	3,181	25	14.5 x 9.42 x 9.45
	20	27.0	400-480	174702.00 [∫]	4,261	26	14.5 x 9.42 x 9.45
	25	34.0	400-480	174703.00 [∫]	5,332	26	14.5 x 9.42 x 9.45
30	40.0	400-480	174704.00 [∫]	6,152	31	18.5 x 9.42 x 9.45	
480-590 Volts	1	1.7	480-590	174663.00	951	4	8.0 x 6.28 x 4.47
	2	2.7	480-590	174664.00	1,125	6	8.0 x 6.28 x 6.31
	3	3.9	480-590	174665.00	1,301	6	8.0 x 6.28 x 6.31
	5	6.1	480-590	174666.00	1,608	12	10.0 x 8.96 x 8.0
	7 1/2	9.0	480-590	174667.00	2,035	12	10.0 x 8.96 x 8.0
	10	11.0	480-590	174668.00 [∫]	2,425	11	10.0 x 8.04 x 8.0

■ User programmable for 50Hz and other voltage inputs
[∫] = Fan cooled - other controls are convection cooled

Specifications are subject to change without notice



AC / DC Controls

SM Plus Sub-Micro AC Inverters

IP20 Enclosure Protection



SM PLUS

General Specifications:

- Ultra-compact designs include 18 isolated I/O terminals plus
- RS485 *Modbus® serial communication

Features:

- Removable electronic programming module
- Input line voltage calibration—optimizes over and under voltage trip levels
- Current limit to 180% with frequency foldback
- Adjustable carrier frequency (4 to 10 kHz)
- Adjustable V/Hz
- Output frequency to 240 Hz
- Seven preset speeds
- Automatic restart after fault
- Control via drive face, terminal strip or optional remote keypad
- Coast or ramp to stop
- Independent accel and decel adjustment
- Forward only or forward and reverse direction
- Adjustable DC injection braking
- Speed reference: Keypad, 0-10 VDC, or 4-20 mA
- Speed reference calibration
- Speed and load indicating output signal selection: 0-10 VDC or 4-20mA
- Output signal calibration
- Fixed boost for high starting torque
- Accel boost for high torque accelerating at any speed
- Slip compensation
- Three-digit LED display
- Password protection
- Fault history: Stores eight previous trips
- Terminal status indication
- IP20 enclosure with finger safe terminals
- Dynamic braking and remote keypad kits available on pages 390-391

Single Phase Input / Three Phase Output

(Use with three phase 230V motor)

Voltage	HP	Output Amps	Input Voltage [■]	Catalog Number	List Price	App. Wgt. (lbs)	Dimension Key
115/230 Volts	1	4.2	115/230	174492.00	1,021	4	B1
	1 1/2	6.0	115/230	174445.00	1,151	5	B1

[■] User programmable for 50Hz and other voltage inputs

Specifications are subject to change without notice

AC / DC Controls

SM Plus Sub-Micro AC Inverters

IP20 Enclosure Protection

Gearmotors

AC / DC Controls

Accessories / Kits

Mods / Factory Options

X-Ref / Index

Tech Information

Warnings/Cautions

Single or Three Phase Input / Three Phase Output

(Use with three phase 230V motor)

Voltage	HP	Output Amps	Input Voltage <input type="checkbox"/>	Catalog Number	List Price	App. Wgt. (lbs)	Dimension Key
200-240 Volts	1/4	1.4	200-240	174452.00	732	2	A1
	1/2	2.2	200-240	174453.00	765	2	A1
	1	4.2	200-240	174454.00	821	3	A2
	1 1/2	6.0	200-240	174493.00	977	4	B1
	2	6.8	200-240	174494.00	1,080	5	B2
	3	9.6	200-240	174495.00	1,309	5	B2
	5	15.2	200-240	174444.00	1,797	8	C1

■ User programmable for 50Hz and other voltage inputs

Specifications are subject to change without notice

Three Phase Input / Three Phase Output

Voltage	HP	Output Amps	Input Voltage <input type="checkbox"/>	Catalog Number	List Price	App. Wgt. (lbs)	Dimension Key
200-240 Volts	1	4.2	200-240	174455.00	756	3	A2
	1 1/2	6.0	200-240	174456.00	888	3	A3
	2	6.8	200-240	174457.00	981	4	A3
	3	9.6	200-240	174458.00	1,169	4	A3
	5	15.2	200-240	174446.00	1,504	4	B2
	7 1/2	22.0	200-240	174438.00	2,057	8	C1
	10	28.0	200-240	174439.00	2,456	8	C1
	15	42.0	200-240	174429.00	3,180	13	D1
400-480 Volts	20	54.0	200-240	174430.00	3,901	14	D1
	1/2	1.1	400-480	174459.00	852	2	A1
	1	2.1	400-480	174460.00	917	3	A2
	1 1/2	3.0	400-480	174461.00	1,003	3	A3
	2	3.4	400-480	174462.00	1,106	4	A3
	3	4.8	400-480	174463.00	1,235	4	A3
	5	7.6	400-480	174447.00	1,574	5	B2
	7 1/2	11.0	400-480	174440.00	2,057	8	C1
	10	14.0	400-480	174441.00	2,456	8	C1
	15	21.0	400-480	174431.00	3,118	13	D1
	20	27.0	400-480	174432.00	3,819	14	D1
480-590 Volts	25	34.0	400-480	174433.00	4,545	14	D1
	30	40.0	400-480	174500.00	5,282	14	D1
	1	1.7	480-590	174464.00	981	3	A2
	2	3.0	480-590	174491.00	1,175	4	A3
	3	4.2	480-590	174497.00	1,395	5	B2
	5	6.6	480-590	174448.00	1,707	5	B2
	7 1/2	9.9	480-590	174442.00	2,216	8	C1
	10	12.2	480-590	174443.00	2,626	8	C1
	15	19.0	480-590	174434.00	3,440	8	D1
20	24.0	480-590	174435.00	4,206	14	D1	
25	27.0	480-590	174436.00	4,976	14	D1	

■ User programmable for 50Hz and other voltage inputs

Specifications are subject to change without notice
Dimension Table see page 387



AC / DC Controls

SM Series Sub-Micro AC Inverters

IP20 Enclosure Protection



SM SERIES

General Specifications:

- For applications that require less control features that you may find in the SM-Plus series inverters
- Provides 11 isolated I/O terminals with one Form A relay output

Features:

- Removable electronic programming module
- Input line voltage calibration—optimizes over and under voltage trip levels
- Current limit to 180% with frequency foldback
- Adjustable carrier frequency (4 to 10 kHz)
- Adjustable V/Hz
- Output frequency to 240 Hz
- Seven preset speeds
- Automatic restart after fault
- Control via drive face, terminal strip or optional remote keypad
- Coast or ramp to stop
- Independent accel and decel adjustment
- Forward only or forward and reverse direction
- Adjustable DC injection braking
- Speed reference: Keypad, 0-10 VDC, or 4-20 mA
- Speed reference calibration
- Fixed boost for high starting torque
- Accel boost for high torque accelerating at any speed
- Slip compensation
- Three-digit LED display
- Password protection
- Fault history: Stores eight previous trips
- Terminal status indication
- Default parameter reset
- IP20 enclosure with finger safe terminals
- Dynamic braking and remote keypad kits available on page 386

AC / DC Controls

SM Series Sub-Micro AC Inverters

IP20 Enclosure Protection

Gearmotors

AC / DC Controls

Accessories / Kits

Mods / Factory Options

X-Ref / Index

Tech Information

Warnings/Cautions

Single Phase Input / Three Phase Output

(Use with three phase 230V motor)

Voltage	HP	Output Amps	Input Voltage	Catalog Number	List Price	App. Wgt. (lbs)	Dimension Key
110-120 Volts	1/3	1.7	110-120	174263.00	498	2	A5
	1/2	2.4	110-120	174264.00	540	2	A5
	1	4.2	110-120	174265.00	717	3	B5
	1 1/2	6.0	110-120	174266.00	814	3	B5

■ User programmable for 50Hz and other voltage inputs

Specifications are subject to change without notice

Single Phase Input / Three Phase Output

(Use with three phase 230V motor)

Voltage	HP	Output Amps	Input Voltage	Catalog Number	List Price	App. Wgt. (lbs)	Dimension Key
200-240 Volts	1/3	1.7	200-240	174267.00	460	2	A5
	1/2	2.4	200-240	174268.00	485	2	A5
	1	4.2	200-240	174270.00	540	3	A6
	1 1/2	6.0	200-240	174271.00	650	4	B5
	2	7.0	200-240	174272.00	766	5	B5
	3	9.6	200-240	174273.00	899	5	B6

■ User programmable for 50Hz and other voltage inputs

Specifications are subject to change without notice

Three Phase Input / Three Phase Output

Voltage	HP	Output Amps	Input Voltage	Catalog Number	List Price	App. Wgt. (lbs)	Dimension Key
200-240 Volts	1/2	2.4	200-240	174274.00	460	2	A5
	1	4.2	200-240	174276.00	511	2	A6
	1 1/2	6.0	200-240	174277.00	608	3	A7
	2	7.0	200-240	174278.00	694	3	A7
	3	9.6	200-240	174279.00	769	3	B6
	5	15.2	200-240	174288.00	980	5	B2
	7 1/2	22.0	200-240	174280.00	1,354	8	C1
	10	28.0	200-240	174290.00	1,377	8	C1
	15	42.0	200-240	174292.00	2,476	14	D1
400-480 Volts	1/2	1.1	400-480	174281.00	617	2	A1
	1	2.1	400-480	174282.00	659	3	A2
	1 1/2	3.0	400-480	174283.00	715	3	A3
	2	3.4	400-480	174284.00	765	4	A3
	3	4.8	400-480	174286.00	837	4	B1
	5	7.8	400-480	174287.00	1,002	5	B2
	7 1/2	11.0	400-480	174285.00	1,301	5	B2
	10	14.0	400-480	174291.00	1,550	8	C1
	15	21.0	400-480	174293.00	1,832	8	C1

■ User programmable for 50Hz and other voltage inputs

Specifications are subject to change without notice
Dimension Table see page 387



AC / DC Controls

AC Control Kits

Dynamic Braking Components For The Micro Series Drives Micro Series Drives can be modified to include dynamic braking. The modifications involve replacing board(s) inside of the drive as well as adding a Dynamic Braking Resistor in a separate enclosure. Larger drives require a combination of Dynamic Braking Board and an additional Form C Relay Board. Instructions are included with the boards. Also available as a modification, see Mod Squad section.

Dynamic Braking Boards*

Drive HP	Drive Voltage Rating	Catalog Number	List Price	App. Wgt. (lbs)
1/2-3	All	174184.00	454	2
5	200-230V	174185.00	494	2
	460-480V	174185.00	494	2
	550-575V	174184.00	454	2

* Dynamic braking resistors are required with the dynamic braking boards
Specifications are subject to change without notice

Dynamic Braking Boards With Form C Relay Board*

Drive HP	Drive Voltage Rating	Catalog Number	List Price	App. Wgt. (lbs)
7 1/2	200-230V	174192.00	436	2
10-60	All	174192.00	436	2

* Dynamic braking resistors are required with the dynamic braking boards
Specifications are subject to change without notice

Dynamic Braking Resistors**

Drive HP	Drive Voltage Rating	Catalog Number	List Price	App. Wgt. (lbs)
1/2	200-230V	174178.00	200	1
1	200-230V	174179.00	200	1
	460-480V	174179.00	200	1
	550-575V	174178.00	200	1
1 1/2	200-230V	174179.00	200	1
2	200-230V	174180.00	200	1
	460-480V	174180.00	200	1
	550-575V	174179.00	200	1
3	200-230V	174182.00	282	1
	460-480V	174182.00	282	1
	550-575V	174181.00	282	1
5	200-230V	174183.00	282	1
	460-480V	174183.00	282	1
	550-575V	174182.00	282	1
7 1/2	200-230V	174143.00	327	1
	460-480V	174143.00	327	1
	550-575V	174148.00	327	1
10	200-230V	174143.00	327	1
	460-480V	174143.00	327	1
	550-575V	174148.00	327	1
15-20	200-230V	174144.00	498	1
	460-480V	174144.00	498	1
	550-575V	174149.00	510	1
25-30	200-230V	174145.00	840	1
	460-480V	174145.00	840	1
	550-575V	174140.00	861	1
40	460-480V	174146.00	1,096	1
	550-575V	174141.00	1,096	1
50-60	460-480V	174147.00	1,267	1
	550-575V	174142.00	1,267	1

** Dynamic braking Resistors are provided with mounting brackets
Specifications are subject to change without notice

AC Control Kits



Cable and Keypad are purchased separately. Installing the remote keypad and cable involves partially dis-assembling the drive. Instructions are included with the keypad. Also available as a modification, see Mod Squad section.

Remote Keypads & Cables

(For Micro Series, NEMA® 1, Drives*)

Item	Catalog Number	List Price	App. Wgt. (lbs)
Keypad	174177.00	262	2
2.5 ft. Cable	174174.00	77	2
5 ft. Cable	174175.00	111	2
10 ft. Cable	174176.00	180	2

* Compatible with any Micro Series, NEMA 1, drive.

NOTE: Using the remote keypad on a Washguard® Inverter is not recommended, for the control will no longer meet NEMA® 4/12 sealing requirements.

Specifications are subject to change without notice

AC / DC Controls

Micro Series Dimension Information

Techlink Programming and Monitoring Software

Techlink Software is a powerful Drive Configuration tool that works in a Microsoft Windows environment. TechLink supports the following drives sold by LEESON: Micro Series, SM Plus Series and SM Vector Series. TechLink allows a drive program to be created off line and to access the drive directly while connected over RS232 or RS485 (depending on the drive). RS485 supports several drives on one drive network but will require an RS232 to RS485 converter for most personal computers.

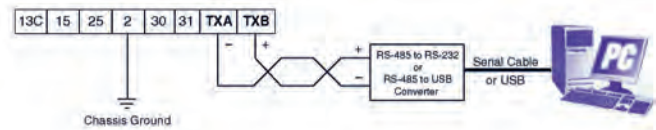
First time users visit LEESON's website, under "Links and Downloads" to download TechLink Software. LEESON frequently updates Techlink software and the Models files to keep current with our expanding product offering and upgrades to our existing lines. If you have Techlink software installed on your computer and would like to check to see if you have the most current version of the TechLink program or the Models data, check the versions on the opening TechLink screen to the versions below. You will only need to download the program that has been updated. Each program below is a self extracting zip file; after expanding, run setup.exe to install.

The diagrams below illustrate how to connect the LEESON® Micro Series, SM Plus and SM Vector Series drives to a computer in order to use the TechLink software.

Note 1: When using serial communications, terminal 2 on the drive MUST be connected to chassis ground.

SM Plus & SM Vector Series

The SM Plus and SM Vector Series drives are RS-485, so a RS-232 to RS-485 or USB to RS-485 converter is required. The converter connects to the computer using a standard serial connection. A twisted pair connects the converter to the drive.

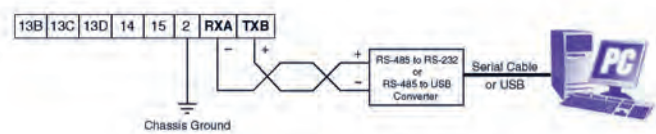


SM Plus & SM Vector Series Control Strip

Note 2: Refer to the converter manufacturer's instructions for proper converter configuration. The converter is not supplied by LEESON.

Micro Series

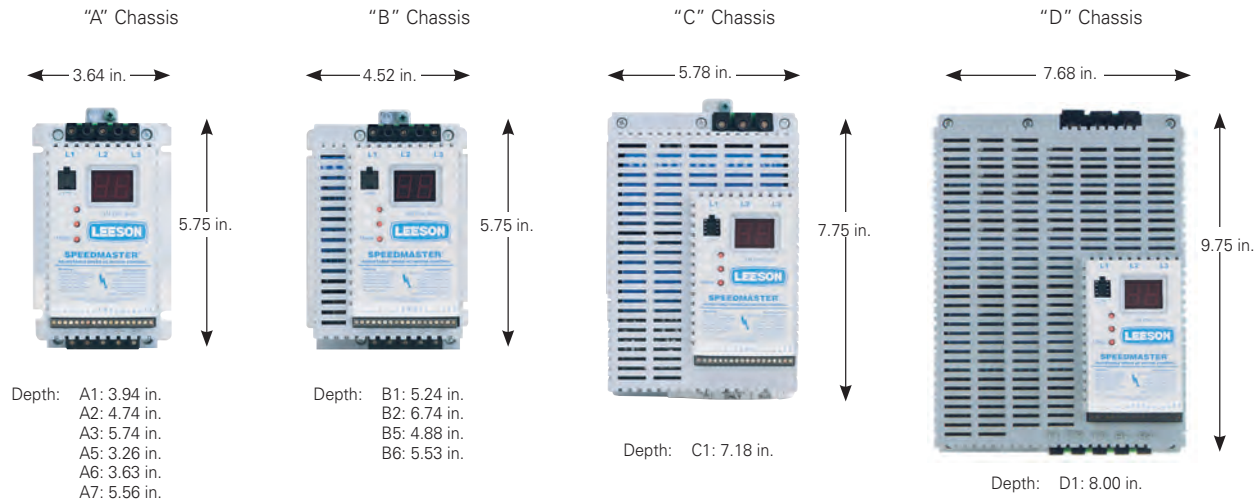
The Micro Series is RS-485, so a RS-232 to RS-485 or USB to RS-485 converter is required. The converter connects to the computer using a standard serial or USB connection. A twisted pair connects the converter to the drive.



Micro Series Control Strip

Note 3 Refer to the converter manufacturer's instructions for proper converter configuration. The converter is not supplied by LEESON.

DIMENSIONS: SM AND SM PLUS SERIES INVERTERS



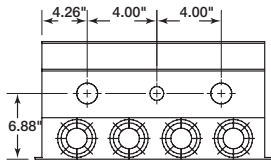
Dimensions shown for reference only. Contact LEESON for detailed drawing
PDF file of Manual available at www.leeson.com/Technical Information
 Specifications are subject to change without notice



AC / DC Controls

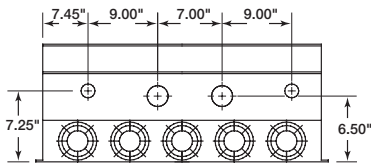
Dimension Information for Micro Series Drives

CONDUIT HOLES FOR 174578.00



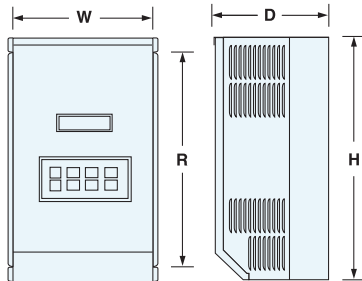
Conduit Holes: Large holes = 1.75"
Small hole = 1.13"

CONDUIT HOLES FOR 174586.00

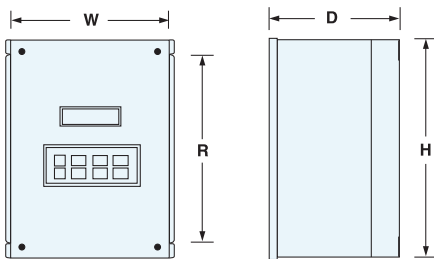


Conduit Holes: Large holes = 3.00"
Small holes = 1.13"

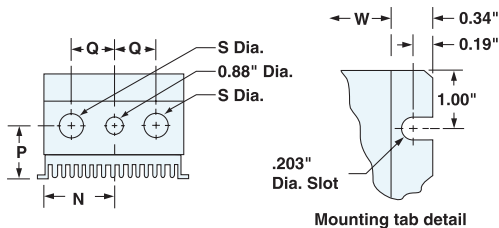
NEMA 1 ONLY



NEMA 4/12
WASHGUARD® ONLY



NEMA 1 & NEMA 4/12

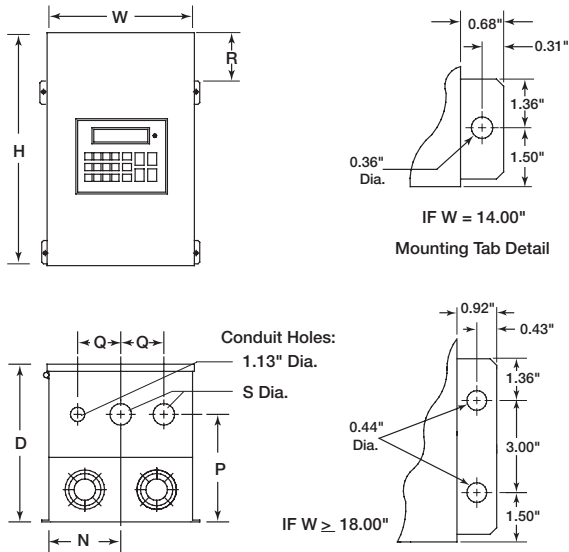


Micro Series Inverter - Dims. (Inches) -
NEMA® 1, NEMA 4/12 & NEMA 4X

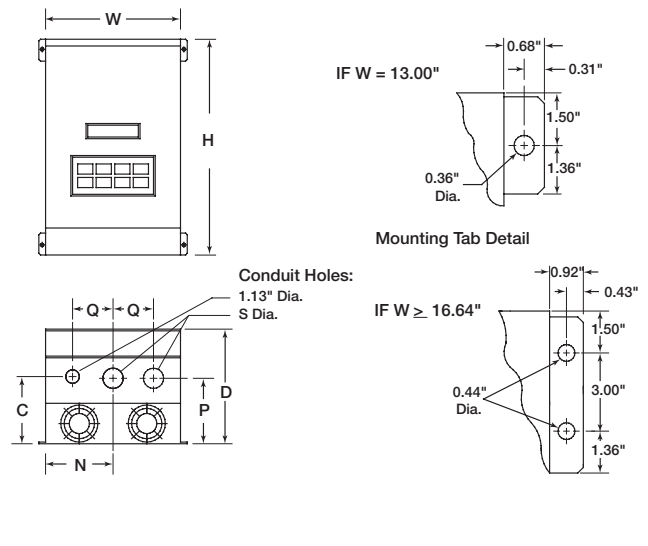
Dimension Key	H	W	D	N	P	Q	R	S
A	7.50	4.70	3.33	2.35	1.60	1.37	5.50	0.88
B	7.50	4.70	3.63	2.35	1.90	1.37	5.50	0.88
C	7.50	4.70	4.33	2.35	2.60	1.37	5.50	0.88
D	7.50	6.12	4.22	3.77	2.40	1.37	5.50	0.88
E	7.50	6.12	5.12	3.77	3.30	1.37	5.50	0.88
F	7.88	7.86	5.94	5.13	3.95	1.50	5.88	1.13
G	7.88	6.12	4.35	3.06	2.70	1.37	5.88	0.88
H	7.88	7.86	4.90	4.80	3.25	1.37	5.88	0.88
I	9.38	7.86	6.25	5.13	3.95	1.50	7.38	1.13
J	7.88	7.86	5.90	4.80	4.25	1.37	5.88	0.88
K	9.75	10.26	7.20	5.13	5.25	2.00	7.75	1.13
L	11.25	7.86	6.84	3.93	4.19	2.00	7.75	1.38
M	9.38	7.86	6.84	3.93	4.19	2.00	5.88	1.13
N	12.75	7.86	6.84	3.93	4.19	2.00	9.25	1.38
O	12.75	7.86	7.40	3.93	4.19	2.00	9.25	1.38
P	12.75	10.26	7.74	5.13	5.00	2.50	9.25	1.38
Q	11.75	10.26	8.35	5.13	5.75	2.00	9.75	1.13
R	9.38	7.86	7.40	3.93	4.19	2.00	5.88	1.13
S	12.75	10.26	8.25	5.13	5.00	2.50	9.25	1.38
T	15.75	10.26	8.35	5.13	5.75	2.50	12.25	1.38
U	13.75	10.26	8.35	5.13	5.75	2.00	11.75	1.38
V	15.75	10.26	8.35	5.13	5.75	2.00	13.75	1.38
W	19.75	10.26	8.55	5.13	5.75	2.50	16.25	1.75
X	7.88	7.86	3.75	4.80	2.10	1.37	5.88	0.88
Y	7.88	6.12	5.25	3.06	3.60	1.37	5.88	0.88
Z	20.25	10.26	8.35	5.13	5.75	2.00	16.25	1.38
AA	15.75	10.26	8.35	5.13	5.75	2.00	11.75	1.38
AB	21.00	13.72	8.35	5.13	6.10	2.00	16.25	1.38
AC	7.50	6.12	3.63	3.77	1.80	1.37	5.50	0.88
AD	7.88	6.12	3.63	3.06	2.00	1.37	5.88	0.88
AE	25.00	13.00	10.50	5.56	6.50	2.62	-	1.38
AF	47.00	16.64	11.85		SEE CHART			
AG	29.00	16.64	11.85	7.14	6.88	3.12	-	1.75
AH	29.00	24.42	11.85	11.12	6.50	4.50	-	2.50
AI	29.00	36.66	11.85	11.50	9.00	4.50	-	2.50
AJ	37.00	18.00	13.30	7.50	8.00	3.13	7.14	1.75
AK	39.00	26.00	13.30	11.50	9.00	4.50	9.14	2.50
AL	29.00	36.66	11.85		SEE CHART			
AM	31.00	14.00	11.86	6.00	7.50	2.62	5.64	1.38
AN	49.00	18.00	13.30	7.50	8.00	3.13	7.14	1.75
AO	39.00	26.00	13.30	11.50	9.00	4.50	9.14	2.50



Type 12 Dimensions for models rated above 30HP at 240/200 VAC and 60 HP at 400/480 VAC



Type 1 Dimensions for models rated above 30HP at 240/200 VAC and 60 HP at 590/480/400 VAC



Electronic Programming Unit

Electronic Programming Unit allows off-line set-up and replication of the drive's plug-in electronic programming module (shown at right). Excellent for multi-drive applications. Keypad input and alphanumeric display simplify programming. RS-232 serial port allows downloading of configuration files from personal computer.



Contact your local
LEESON sales office
for information

EPM Bulk Pack

Plug-in electronic programming modules (EPM). Allow off-line set-up and replication of program using Electronic Programming Unit. Set of 10.

Catalog Number	List Price	App. Wgt. (lbs)
174190.00	201	1

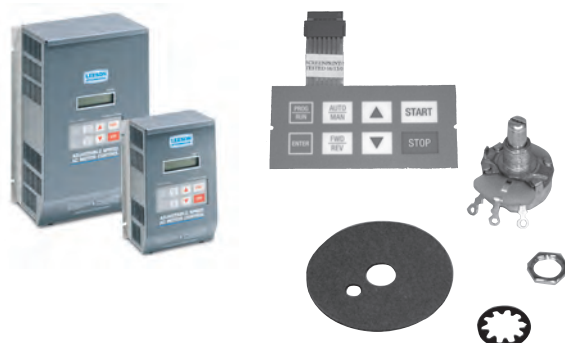
Specifications are subject to change without notice



Inverter Accessory Parts

Discriptor	Catalog Number	List Price
Micro Series Keypad	006707.01	63
Speed Pot (10k/5w pot, washers & nut)	006708.01	66

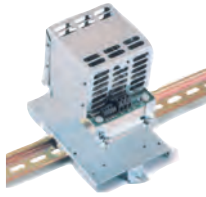
Specifications are subject to change without notice



AC / DC Controls

AC Control Kits

Accessories For The SM, SM-Plus & SM Vector Series Drives

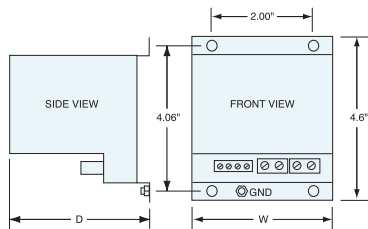


Dynamic Braking Modules With Built-in Dynamic Braking Resistors[ⓐ]

Dynamic Braking Components for the SM, SM-Plus & SM Vector Series Drives Dynamic braking are available for the SM, SM-Plus and SM Vector series drives as a separate Dynamic Braking Module. Lower HP modules have the control electronics and the dynamic braking resistor in one convenient package. Larger units require a separate resistor. The modules can be panel or DIN rail mounted.

Drive HP	Motor Voltage Rating	Catalog Number	List Price	App. Wgt. (lbs)
1/4-1/2	208-230V	174400.00	338	2
	400-480V	174406.00	338	2
1 - 1 1/2	208-230V	174401.00	392	3
	400-480V	174407.00	392	3
1 - 1 1/2	480-590V	174412.00	392	3
2 -3	208-230V	174402.00	532	4
	400-480V	174408.00	532	4
	480-590V	174413.00	532	4
5	208-230V	174403.00	695	5
	400-480V	174409.00	695	5
	480-590V	174414.00	695	5
7 1/2	208-230V	174404.00	878	6
	400-480V	174410.00	878	6
	480-590V	174415.00	878	6
10	208-230V	174405.00	1,060	8
	400-480V	174411.00	1,060	8
	480-590V	174416.00	1,060	8

ⓐ Braking Resistors are included with the module and not purchased separately
Specifications are subject to change without notice



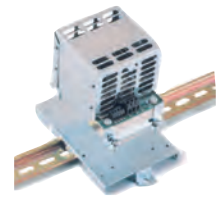
Dynamic Braking Modules Without Resistors*

Drive HP	Motor Voltage Rating	Catalog Number	List Price	App. Wgt. (lbs)
15-20	208-230V	174417.00	454	10
15-30	400-480V	174418.00	454	10
15-25	480-590V	174419.00	454	10

*Dynamic Braking Resistors are purchased and mounted separately
Specifications are subject to change without notice

Accessories For The SM2 Flux Vector Series Drives

Dynamic Braking Components for the SM2 Vector Series Drives



Dynamic Braking Modules With Built-in Dynamic Braking Resistors[ⓐ]

Dynamic Braking Components for the SM2 Vector Series Drives Dynamic braking are available for the SM2 Vector Series drives as a separate Dynamic Braking Module. 10 HP and lower modules have control electronics and the dynamic braking resistor in one convenient package. Larger units require a separate resistor. The modules can be panel or DIN rail mounted.

Drive HP	Motor Voltage Rating	Catalog Number	List Price	App. Wgt. (lbs)
1/3-1/2	208 - 230V	174157.00	328	2
	400 - 480V	174158.00	328	2
1 - 1 1/2	208 - 230V	174151.00	384	3
	400 - 480V	174152.00	384	3
	480 - 590V	174153.00	384	3
2 - 3	208 - 230V	174154.00	523	4
	400 - 480V	174155.00	523	4
	480 - 590V	174156.00	523	4
5	208 - 230v	174159.00	681	5
	400 - 480V	174160.00	681	5
	480 - 590V	174161.00	681	5
7 1/2	208 - 230V	174162.00	860	6
	400 - 480V	174163.00	860	6
	480 - 590V	174164.00	860	6
10	208 - 230V	174165.00	1,039	8
	400 - 480V	174166.00	1,039	8
	480 - 590V	174167.00	1,039	8

ⓐ Braking Resistors are included with the module and not purchased separately
Specifications are subject to change without notice

Dynamic Braking Resistors**

Drive HP	Motor Voltage Rating	Catalog Number	List Price	App. Wgt. (lbs)
15-20	208-230V	174144.00	498	1
	400-480V	174144.00	498	1
	480-590V	174149.00	510	1
25-30	400-480V	174145.00	840	1
25	480-590V	174140.00	861	1

**Dynamic Braking Resistors are provided with mounting brackets
Specifications are subject to change without notice

DIN Rail - Mounting Kits

Steel plates and fasteners for mounting drives on standard 35mm DIN rails for panel building. Set of six. 174186 for "A" chassis drives. 174187 for "B" chassis drives. 174188 for "C" chassis drives. Refer to SM Plus and SM Series Dimension Tables for A, B & C listing information.

Catalog Number	List Price	App. Wgt. (lbs)
174186.00	186	3
174187.00	209	3
174188.00	249	3

Specifications are subject to change without notice



SM4 Remote Keypad

Potentiometer kit takes the place of the up/down buttons on the drive's keypad gives operators hands-on speed control over the Inverter's speed range.

Use with Width (W) dim. of:	Catalog Number	List Price	App. Wgt. (lbs)
6.28 or 7.12	174693.00	251	2
8.04 or 8.96	174697.00	263	2

Specifications are subject to change without notice



EPM Bulk Pack

Plug-in electronic programming modules (EPM). Allow off-line set-up and replication of program using Electronic Programming Unit. Set of 10.

Catalog Number	List Price	App. Wgt. (lbs)
174190.00	201	1

Specifications are subject to change without notice

Remote Keypad

Remote keypad kit includes eight-foot connecting cable and gasket. Mounted in proper enclosure, the keypad kit will provide up to NEMA® 4 protection.

Drive Type	Catalog Number	List Price	App. Wgt. (lbs)
SM Plus	174191.00	270	2
SM Series	174194.00	219	2
SM2 Vector	174150.00	264	2

Specifications are subject to change without notice



Accessories / Kits

NEMA® D Flange Kits - LEESON® Motors Only



Motor Accessories - Field Installed Steel and Cast Iron Frame Motors

Includes parts to convert a rigid base mounted motor to NEMA D face with base.

Shaded frame indicates cast iron motor kits for 15, G15 and 17 series motors.

NOTE: The D Flange Kits can only be used on rigid base motors. They will not fit NEMA C face motors.

NEMA Frame	Enclosure	D Flange Kit Catalog Number	List Price	App. Wgt. (lbs)	♥Notes
143T-145T	Enclosed	163115.60	154	6	
182T-184T	Open / Enclosed	175694.00	299	12	D
	Open	175101.00	286	13	G
	Enclosed	175658.60	318	12	G
	Enclosed	175807.60	318	14	
213T-215T	Open	175114.60	468	14	
	Enclosed	175115.60	468	14	G
	Enclosed	175959.60	468	14	
254T-256T	Open	175116.60	600	25	
	Enclosed	175192.60	600	25	
284T/TS-286T/TS	Open	175118.60	717	42	
	Enclosed	175119.60	717	52	
324T/TS-326T/TS	Open	175120.60	919	57	G
	Enclosed	175121.60	919	57	
	Open	175455.60	1,244	57	
364T/TS-365T/TS	Open	175955.60	1,083	72	
	Enclosed	175657.60	1,083	72	
	Open	175602.60	1,352	72	H
	Enclosed	175604.60	1,352	72	H
404T/TS-405T/TS	Open 4 & 6-pole	175956.60	1,504	90	I
	Enclosed	175957.60	1,504	90	
444T/TS-445T/TS	Open 4 & 6-pole	175607.60	1,742	106	I
	Enclosed 4 & 6-pole	175608.60	1,742	106	I
447T/TS-449T/TS	Enclosed 4 & 6-pole	163104.60	1,806	115	I
	Enclosed 2-pole	163126.60	1,806	115	

Shaded frames are for cast iron motors

Specifications are subject to change without notice

Green items Are For Premium Efficient Motors Only

♥Notes:

- D Use this kit for 182-4T and S213T motors with catalog numbers 131454.00 and higher, or with a G prefix
- F For use with 213T-215T 3600 RPM motors only
- G Not for use with Premium efficient motors
- H WATTSaver®e II design built 2007 and later
- I For use with 1200 and 1800 RPM motors only





Accessories / Kits

NEMA® C Face Kits

Motor Accessories - Field Installed

LEESON® - Steel Frame Motors

Includes parts to convert a rigid base mounted motor to NEMA C face with base.
 The C Face Kits cannot be used as replacements on a factory-produced C face motor.
 For motors with Catalog Numbers 092000–140999

NEMA Frame	Enclosure	C Flange Kit Catalog Number	List Price	App. Wgt. (lbs)	♥Notes
42	Open / Enclosed	175661.00	63	2	
48	Open / Enclosed	175969.00	63	2	A
S56	Open	175000.00	63	2	
56	Open	175075.00	74	2	
143T-145T	Open	175181.00	74	2	
182T-184T	Open / Enclosed	175691.00	89	3	D
182T-184T Special	Open / Enclosed	175294.00	89	5	E
S213T	Open / Enclosed	175693.00	170	2	D
213T-215T	Open	175845.00	170	19	
(1750, 1140, & 850 RPM)	Enclosed	175844.00	170	15	
213T-215T	ODP	175303.00	159	15	F
(3450 RPM)	Enclosed	175304.00	159	15	F

Specifications are subject to change without notice

- When changing a rigid mount motor to C Face motor, a non-NEMA BA dimension may result. For motor BA dimension information, please refer to the chart on the inside back cover flap of this catalog.
- Some larger HP 56-frame motors have larger shaft-end bearings and require a 143T-145T C Face kit.

♥Notes:

- A For use with motors having "K" or "P" suffix on date code.
- B For motors manufactured after January 1, 2007, having a "B" suffix letter after the motor's date code.
- D Use this kit for 182-4T and S213T motors with catalog numbers 131454 and higher, or with a G prefix.
- E Converts a 182T-184T frame motor to the C-face dimensions of a 143T-145T or 182U-184U frame motor
- F For use with 213T-215T 3600 RPM motors only.
- G For use with new Industrial AG motors that start with "117"
- H For use with 56HZ Industrial AG motor 11786700

Accessories / Kits

NEMA® C Face Kits

Motor Accessories - Field Installed

Lincoln - Steel Frame Motors

NEMA C Face Kits

Models - SREW, SSEW, SRD, SSD, SRF, SSF, SF

NEMA Frame	SYN RPM	Enclosure	Catalog Number	List Price	App. Wgt. (lbs.)	♥ Notes
56	All	SREW, SRD	LM24631	74	2	1
56	All	SREW, SRD	LM24807	74	2	2
56	All	SRF	LM24808	74	2	1
56	All	SRF	LM24810	74	2	2
143T-145T	All	SSEW, SSD	LM24807	74	2	2
143T-145T	All	SSF	LM24810	74	2	2
182T-184T	All	SSF	LM25736	143	12	
182T-184T	All	SSEW, SRD, SSF	175691.00	89	3	4
213T-215T	All	SSEW, SSD	LM25737	169	15	
213T-215T	All	SSF	LM25738	169	12	
254T-256T	All	SSD	LM25740	217	13	
284T/TS-286T/TS	2 & 6-Pole	SD	LM24062	404	20	3
324T/TS-326T/TS	All	SD	LM24063	525	47	
324T/TS-326T/TS	All	SF	LM24057	583	33	
364T/TS-365T/TS	All	SD	LM24064	879	53	
404T/TS-405T/TS	All	SD	LM24065	1,158	55	
404T/TS-405T/TS	All	SF	LM24059	1,158	53	
444T/TS-445T/TS	3600	SD	LM24066	1,264	80	
444T/TS-445T/TS	1200 & 1800	SD	LM24067	1,264	88	
444T/TS-449T/TS	3600	SF	LM24060	1,400	98	
444T/TS-449T/TS	1800 & 1200	SF	LM24061	1,400	98	
447T/TS-449T/TS	3600	SD	LM24068	1,400	98	
447T/TS-449T/TS	1200 & 1800	SD	LM24069	1,400	98	

Specifications are subject to change without notice

When changing a rigid mount motor to C Face motor, a non-NEMA BA dimension may result. For motor BA dimension information, please refer to the chart on the inside back cover flap of this catalog.

♥Notes:

- 1 56 frames with 203 drive end bearing
- 2 56 & 143/5T frame motors with a 205 drive end bearing
- 3 For 2-Pole and 6-Pole motors
- 4 Motors built having the letter "M" after the date code



Motor Accessories - Field Installed
LEESON® - Ultimate E® Cast Iron Motors

Includes parts to convert a rigid base mounted motor to NEMA C face with base.
The C face kits cannot be used as replacements on a factory-produced C face motor.
LEESON Ultimate E "19" Series cast iron and rolled steel motors.

NEMA Frame	Enclosure	Catalog Number	List Price	App. Wgt. (lbs.)	♥ Notes
182T-184T	TEFC	176024.00	203	14	A
182T-184T	ODP	176064.00	86	14	A
213T-215T	TEFC	176025.00	203	22	A
213T-215T	ODP	176065.00	136	22	A
213T-215T	TEFC	B176025.00	203	22	A1
213T-215T	ODP	B176065.00	136	22	A1
254T-256T	TEFC	176026.00	310	32	B
254T-256T	TEFC	176027.00	310	32	C
254T-256T	TEFC	B176026.00	310	32	B1
254T-256T	TEFC	B176027.00	310	32	C1
254TS-256TS	ODP	176066.00	279	32	B
254T-256T	ODP	176067.00	279	32	C
254TS-256TS	ODP	B176066.00	279	32	B1
254T-256T	ODP	B176067.00	279	32	C1
284TS-286TS	TEFC	176028.00	430	38	B
284T-286T	TEFC	176029.00	430	38	C
284TS-286TS	TEFC	B176028.00	430	38	B1
284T-286T	TEFC	B176029.00	430	38	C1
284TS-286TS	ODP	176068.00	432	38	B
284T-286T	ODP	176069.00	432	38	C
284TS-286TS	ODP	B176068.00	432	38	B1
284T-286T	ODP	B176069.00	432	38	C1
324TS-326TS	TEFC	176030.00	558	45	B
324T-326T	TEFC	176031.00	558	45	C
324TS-326TS	ODP	176070.00	558	45	B
324T-326T	ODP	176071.00	558	45	C
364TS-365TS	TEFC	176032.00	761	85	B
364T-365T	TEFC	176033.00	761	85	C
364TS-365TS	ODP	176072.00	750	85	B
364T-365T	ODP	176073.00	750	85	C
404TS-405TS	TEFC	176034.00	959	175	B
404T-405T	TEFC	176035.00	959	175	C
404TS-405TS	ODP	176074.00	695	95	B
404T-405T	ODP	176075.00	695	95	C
444TS-445TS	TEFC	176036.00	1,341	225	B
444T-445T	TEFC	176037.00	1,341	225	C
444TS-445TS	ODP	176076.00	1,217	140	B
444T-445T	ODP	176077.00	1,267	140	C
447TS	TEFC	176038.00	1,484	250	B
447T-449T	TEFC	176039.00	1,484	225	C

Specifications are subject to change without notice

When changing a rigid mount motor to C face motor, a non-NEMA BA dimension may result.
For motor BA dimension information, please refer to the chart on the inside back cover flap of this catalog.

♥Notes:

- A All Poles
- B 2-pole only
- C 4 & 6-pole only
- A1 All Poles with Catalog numbers starting with B
- B1 All Poles with Catalog numbers starting with B
- C1 All Poles with Catalog numbers starting with B



Accessories / Kits

NEMA® C Face Kits

Motor Accessories - Field Installed

LEESON® - Cast Iron Motors

Includes parts to convert a rigid base mounted motor to NEMA C face with base. The C face kits cannot be used as replacements on a factory-produced C face motor. For 15, G15 and 17 Series cast iron motors only

NEMA C Face Kits

NEMA Frame	Enclosure	Catalog Number	List Price	♥ Notes
143T-145T	Enclosed	163116.60	154	
182T-184T	Enclosed	175805.60	203	
182T-184T	Enclosed	175804.60	203	E
213T-215T	Open	175066.60	203	
	Enclosed	175068.60	203	G
	Enclosed	175869.60	203	
254T-256T	Open	175067.60	310	
	Enclosed	175191.60	310	
284T/TS-286T/TS	Open	175058.60	430	
	Enclosed	175061.60	430	
324T/TS-326T/TS	Open	175059.60	558	G
	Open	175454.60	558	
	Enclosed	175062.60	558	
364T/TS-365T/TS	Open	175060.60	932	
	Enclosed	175063.60	932	
	Open	175601.60	932	H
	Enclosed	175603.60	932	H
404T/TS-405T/TS	Open	175605.60	1,225	
	Enclosed	175199.60	1,225	
444T/TS-445T/TS	Open	175606.60	1,341	
	Enclosed	175664.60	1,341	
447T/TS-449T	Enclosed 4 & 6-pole	175958.60	1,484	
	Enclosed 2-pole	176004.60	1,484	

Specifications are subject to change without notice

Green items Are For Premium Efficient Motors Only

When changing a rigid mount motor to C face motor, a non-NEMA BA dimension may result. For motor BA dimension information, please refer to the chart on the inside back cover flap of this catalog.

♥Notes:

- E For use to replace the C-Face on a 182/184TC frame motor only
- G Not for use with premium efficient motors
- H For 364T/TS -365T/TS frame motors built 2007 and later



NEMA C Face Kits

NEMA Frame	Catalog Number	List Price	App. Wgt. (lbs.)	♥ Notes
143T - 145T	175787.00	213	7	
182T-184T	175788.00	319	10	
213T-215T	175789.00	381	16	
254T-256T	175790.00	451	35	
284T/TS-286T/TS	175791.00	589	47	
324T/TS-326T/TS	175794.00	682	89	
364T-365T	175795.00	1,074	95	
364TS-365TS	175796.00	941	91	
404T-405T	175797.00	1,199	129	
444T-445T	176056.00	2,064	175	Model #s containing THFS
444TS-445TS	176057.00	2,064	108	Model #s containing TSHFS
444T-445T	176058.00	2,064	201	Model #s containing THFN
444TS-445TS	176059.00	2,064	199	Model #s containing TSHFN

Specifications are subject to change without notice
When changing a rigid mount motor to C face motor, a non-NEMA BA dimension may result

NEMA C Face Kits - Lincoln Cast Iron Frame

NEMA Frame	SYN RPM	Enclosure	Catalog Number	List Price	App. Wgt. (lbs.)	♥ Notes
143T	All	CCN, CCF, CCS	LM24811	74	7	
145T	All	CCN, CCF, CCS	LM24815	88	7	
182T-184T	All	CCF, CCS	LM25736	143	12	
182T-184T	All	CCF	175805.60	203	12	5
213T-215T	All	CCF, CCS	LM25739	169	20	
213T-215T	All	CCF	175869.60	203	15	5
254T-256T	All	CCF, CCS	LM27681	291	36	
254T-256T	All	CCD	LM31014	217	15	
254T-256T	All	CCF	175191.60	310	25	5
284T-286T	All	CCF, CCS	LM27576	404	42	
284T/TS-286T/TS	All	CCD	LM31019	404	35	
284T/TS-286T/TS	All	CCF	175061.60	430	42	5
324T/TS-326T/TS, 324U/US-326U/US	All	CCF, CCS	LM28624	583	78	
324T/TS-326T/TS	All	CCF	175062.60	558	57	5
364T-365T	All	CCF, CCS	LM32284	879	78	
364T/TS-365T/TS	All	CCF	175603.60	932	75	5
364TS-365TS	All	CCF, CCS	LM32285	924	78	
364U-365U	All	CCF, CCS	LM32286	924	78	
404T-405T, 404U-405U	All	CCF, CCS	LM28501	1,158	85	
404TS-405TS	All	CCF, CCS	LM32288	1,216	85	
404T/TS-405T/TS	All	CCF	175199.60	1,225	60	5
444T-445T	All	CCF, CCS	LM32290	1,254	96	
444TS-445TS	All	CCF, CCS	LM32291	1,254	96	
444T/TS-445T/TS	All	CCF	175664.60	1,341	115	5
447T-449T	1800 & 1200	CCF, CCS	LM32292	1,386	98	
447TS-449TS	3600	CCF, CCS	LM32293	1,386	98	
447T-449T	1800 & 1200	CCF	175958.60	1,484	112	5
447TS-449TS	3600	CCF	176004.60	1,484	112	5

Green items Are For Premium Efficient Motors Only

Specifications are subject to change without notice
When changing a rigid mount motor to C face motor, a non-NEMA BA dimension may result.
For motor BA dimension information, please refer to the chart on the inside back cover flap of this catalog.
♥Notes: 5 For Lincoln CI motors that start with LM6 and model numbers ending with AP21



Accessories / Kits

NEMA® C Face Kits

Motor Accessories - Field Installed Lincoln - Aluminum Frame Motors

NEMA Frame	SYN RPM	Enclosure	Catalog Number	List Price	App. Wgt. (lbs.)	♥ Notes
182T-184T	All	AAF	LM26679	169	10	
182T-184T	All	AAF	175691.00	89	10	6
213T-215T	All	AAF	LM30146	196	15	
254T-256T	All	AF/AAF	LM30147	291	26	
284T/TS-286T/TS	All	AF/AAF	LM20116	404	28	

Specifications are subject to change without notice

When changing a rigid mount motor to C face motor, a non-NEMA BA dimension may result.

For motor BA dimension information, please refer to the chart on the inside back cover flap of this catalog.

♥Notes:

6 For Lincoln AL motors where the model numbers end with AP26

Kits and Accessories Rodent Screen Kits

NEMA Frame	Enclosure	Catalog Number	List Price	App. Wgt. (lbs.)
182T-184T	Open	175872.00	147	1
213T-215T	Open	175871.00	263	1
254T-256T	Open	175873.00	378	2
284T-286T	Open	175874.00	378	3
324T	Open	175894.00	887	5
326T	Open	175875.00	887	5

Shaded frames are for cast iron motors

Specifications are subject to change without notice

Wattsaver "17" series rolled steel motors that have the suffix letter "M" in date code

Chemical Service/ Severe Duty Conversion Kits



For use with LEESON® Cast Iron Wattsaver e motors and "G15" series motors. Cast iron fan covers for cast iron motors. Designed to easily convert TEFC motors to all cast iron construction. All these motors have inert, corrosion resistant fiber filled thermoplastic fan as standard. Kit includes one cast iron fan cover.

NEMA Frame	IEC Frame	Catalog Number	List Price	App. Wgt. (lbs.)
182T-184T	---	175663.60	240	10
213T-215T	---	175050.60	349	12
254T-256T	160	175051.60	469	18
284T-286T	180	175052.60	820	22
324T-326T	200	175053.60	856	29
364T-365T	225	175054.60	1,279	39
404T-405T	250	175055.60	1,392	49
444T-445T	280	175056.60	1,577	59
447T-449T	---	175891.60	1,577	112

Specifications are subject to change without notice





Each kit includes one drip-cover. Designed to protect drip-proof motors from rain, snow and ice when mounted outdoors in a vertical position.

Frame	Catalog Number	List Price	App. Wgt. (lbs.)	♥ Notes
48-S56	175003.00	58	2	
48-S56	175298.00	58	2	A
56	175004.00	68	2	
143T-145T	175792.00	68	2	A
182T-184T	175614.00	85	3	
182T-184T	175961.00	79	3	
213T-215T	175846.00	120	12	
213T-215T	175305.00	120	12	F
213T-215T	175962.00	120	4	
254T-256T	175963.00	153	7	

♥Notes:

- A For use with motors having "K" or "P" suffix on date code
- F For use with 213T-215T 3600 RPM motors only

Specifications are subject to change without notice

Shaded frames are for cast iron motors

Lint-Cover / Drip-Cover Kit
For TEFC Motors - LEESON Motors Only

Frame	Catalog Number	List Price	App. Wgt. (lbs.)	♥ Notes
56-143T-145T	175024.00	105	2	B
56-143T-145T	175778.00	105	2	B, J
182T-184T	175695.00	203	3	D
213T-215T	175849.00	120	12	K

♥Notes:

- B For motors having the letter "B" after the date code
- D Use this kit for 182-4T and S213T motors with catalog numbers 131454 and higher or with a G prefix
- J For motors having face mounted fan guard
- K For use with 1800 RPM motors only

Specifications are subject to change without notice
For steel frame motors only

Lint-Cover / Drip-Cover Kit
For Cast Iron - TEFC Motors - LEESON Motors Only
Wattsaver® and "G15" Series Motors

NEMA® Frame	Catalog Number	List Price	Add. Motor Length (Inches)
TEFC 210 frame	176044.60	179	2.0
TEFC 250 frame	176045.60	256	2.0
TEFC 280 frame	176046.60	345	2.0
326T - 2-pole	176053.60	470	2.2
TEFC 320 frame 4 & 6-pole	176047.60	470	2.2
TEFC 360 frame (small stator)	176048.60	571	2.4
TEFC 360 frame (Motors built after 2007)	176049.60	766	2.8
TEFC 400 frame	176050.60	766	2.8
TEFC 440 frame 2-pole	176051.60	870	3.2
440 - 4 & 6-pole	176054.60	870	3.2
TEFC 447/9 frame 2 pole	176052.60	936	3.6
447/9T - 4 & 6-pole	176055.60	936	3.6

Specifications are subject to change without notice
For use with catalog numbers that begin with "17" or "G15"



Accessories / Kits

JP Pump Drip Cover Kits

NEMA® Frame	Enclosure	Catalog Number	List Price	♥ Notes
56-145JP	ODP or TEFC	175932.00	37	
182JP-184JP	ODP	175614.00	85	
213JP-215JP	ODP	175305.00	120	L

Specifications are subject to change without notice

♥Notes:

L For use with 213T-215T (213JP-215JP) 3600 RPM motors only

Motor Accessories - Blower Fan Kits

Field Installed

LEESON® Motors Only



These kits are used for converting LEESON motors to totally enclosed blower cooled motors. Cooling per MG1.6 (IC46) The kits are designed for inverter and vector drive applications where continuous cooling is required regardless of motor shaft speed. The kit is mounted on the back of the motor after removing the fan guard and fan. Modifying the shaft is not required.

Blower Fan Kits

For use with Rolled Steel TEFC Motors only

Blower Voltage	Blower Motor Phase	NEMA Frame	Catalog Number	List Price	CFM	App. Wt. (lbs.)
115	1	56-145T	175775.00[^]	921	892	4
115	1	182-4T	175895.00[♣]	1,032	1,000	4
115	1	213-5T	175896.00[♣]	1,077	1,044	5

Specifications are subject to change without notice

[^] For 56/145T motors having face mounted (plastic) fan guards

[♣] For rolled steel motors having the letter "M" after the date code

Blower Fan Kits

For use with 150, G150 & 170 Series Cast Iron TEFC Motors only

Blower Voltage	Blower Motor Phase	NEMA Frame	Catalog Number	List Price	CFM	App. Wt. (lbs.)
115	1	182-4T	175674.00	1,032	260	10
115	1	213-5T	175675.00	1,078	260	11
115	1	254-6T	175676.00	1,158	260	17
115	1	284-6T	175677.00	1,390	500	24
115	1	324-6T	175678.00	1,482	500	28
230/460	3	360T	175879.00	3,076	500	35
230/460	3	360T	176002.00 [◇]	3,414	500	35
230/460	3	400T	175880.00	3,414	500	45
230/460	3	444T/445T	175558.00	3,907	500	55

Specifications are subject to change without notice

[◇] Use with 360T frame motors built 2007 and later





Accessories / Kits

Encoder Kits - LEESON® Motors Only

Specifications:

These kits include the parts and encoder for field assembly of slim-line, through-shaft encoder designed to slip over the motor's fan end shaft. Blower kit sold separately.

Features:

- Output is 1024 pulses per revolution
- 5 to 28 VDC line driver output. Short-circuit protection is standard. Inputs are over voltage and reverse voltage protected. Electrical noise immunity exceeds international standards. Encoders are isolated from shaft currents using hard anodized sleeves and non metallic anti-rotation hardware. Designed for long-life in industrial environments using an all-metal, shock resistant code disk. The encoder is protected by the motor's fan cover after mounting. Using a blower fan kit is suggested for proper motor cooling.
- Short circuit protection
- Isolated from shaft currents
- Shock resistant code disks
- Use with blower kits to protect and cool motors

Encoder Kits - Cast Iron Watt saver® Motors

For use with 150, G150 & 170 series cast iron TEFC motors only

NEMA® Frame	Catalog Number	List Price
182-4T	175684.00	1,605
213-5T	175685.00	1,605
254-6T	175686.00	2,590
284-6T	175687.00	2,590
320T	175641.00	2,641
360T	175642.00	2,641
400T	175643.00	2,641
440T (2 pole)	175644.00	2,641
440T (4/6 pole)	175645.00	2,641

Specifications are subject to change without notice

Encoder Kits

For use with rolled steel, TEFC motors only

NEMA Frame	Catalog Number	List Price
56-145T	175960.00	1,293
182-4T	175897.00	1,873
213-5T	175898.00	1,873

Specifications are subject to change without notice

Speedmaster® Motors

For use with LEESON Speedmaster 2000:1, 810000 series inverter duty motors only

Encoder Description	Enclosure	Frame	Brand / Mod	PPR	Catalog Number	List Price
Modular Mount, 5-15 VDC, with EPIC connector	TENV	143-256T	Northstar SL56	1024	E175927.00	3,617
Shaft Mount, 5-26 VDC, with 10 pin connector	TENV	143-256T	Dynapar HS35	1024	E175928.00	2,323
Shaft Mount, 5-26 VDC, with 10 pin connector	TENV	143-256T	BEI HS35	1024	E175929.00	2,323
Shaft Mount, 5-26 VDC, with 10 pin connector	TENV	143-256T	Dynapar HS35	2048	E175930.00	2,323
Shaft Mount, 5-26 VDC, with 10 pin connector	TENV	143-256T	BEI HS35	2048	E175931.00	2,323
Modular Mount, 5-15 VDC (Encoder Conduit Box Required)	TEBC	284-449T	Northstar SL56	1024	E175921.00	3,617
Shaft Mount, 5-26 VDC (Encoder Conduit Box Required)	TEBC	284-449T	Dynapar HS35	1024	E175922.00	2,323
Shaft Mount, 5-26 VDC (Encoder Conduit Box Required)	TEBC	284-449T	BEI HS35	1024	E175923.00	2,323
Shaft Mount, 5-26 VDC (Encoder Conduit Box Required)	TEBC	284-449T	Dynapar HS35	2048	E175924.00	2,323
Shaft Mount, 5-26 VDC (Encoder Conduit Box Required)	TEBC	284-449T	BEI HS35	2048	E175925.00	2,323
Conduit Box Required for all TEBC Units	—	—	—	—	ECB175926.00	258

Specifications are subject to change without notice

Accessories / Kits

Terminal Block Kits



Terminal block kits for 15 and 17 series NEMA® frame cast iron motors. Can also be used for replacement on 193 series cast iron and 192 series aluminum IEC metric motors.

NEMA Frame	IEC Frame	Catalog Number	List Price	App. Wgt. (lbs.)
—	63-90L	175881.00 ≠	20	1
180/210T	100/112/132	175668.60	41	2
250/280T	160/180	175667.60	45	3
320/360T	200/225	175666.60	70	4
400/440T	250/280	175665.60	108	5

Specifications are subject to change without notice

≠ Replacement terminal board for aluminum frame IEC motors

Accessories / Kits

Die Cast Aluminum Conduit Box Conversion Kit LEESON® Motors Only



56/140-frame kit (pictured) includes die cast aluminum conduit box, cover, gaskets, grounding screw, mounting hardware and adapter plate for mounting box on existing holes in motor. 180 and 210-frame kits include all parts required to replace the conduit box including the die cast conduit box, plug, cover, gaskets and mounting hardware. No adapter plate is required because these kits mount on existing holes. All conduit boxes have 1/2-NPT tapped lead exit holes on two adjacent sides with one hole plugged. Note: the kit will not work with larger HP single-phase 210-frame motors.

Die Cast Aluminum Conduit Box

NEMA Frame	Catalog Number	List Price	App. Wgt. (lbs.)
56-140T	175892.00 ^	86	2
182-4T	175649.00 *	104	2
213-5T	175847.00 *	125	11

Specifications are subject to change without notice

^ - For use with motors having the letter "B" after the date code

* - For use with motors having the letter "M" after the date code

Ex-Proof Conduit Box



UL and CSA listed for Class I, Group C & D, and Class II, Groups E, F & G locations. Has grounding screw and all hardware provided. Mounts to motor by 3/4"-14NPT opening at rear of box. For NEMA 56 & 143-5T frame motors only. Box number 175755.00 has a 1" NPT thread.

Catalog Number	List Price	App. Wgt. (lbs.)
175026.00	117	2
175755.00 (1)	117	2

Specifications are subject to change without notice

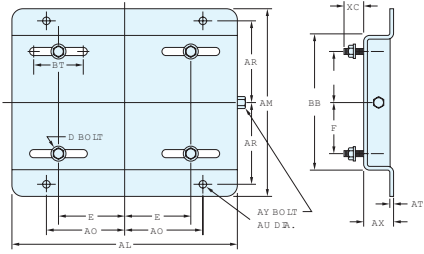
(1) For motors having a letter P after the date code.



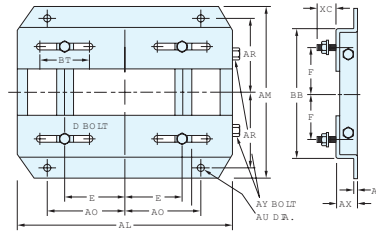
Adjustable Motor Bases - NEMA® 48-449T Frames

Heavy gauge steel mounting bases simplify the installation of motors and make the tensioning, maintenance and replacement of belts a simple efficient task. Fabricated from sheet or steel plate, then primed and finished in a gray rust and corrosion resistant oven-baked finish. Gussets and reinforcing channels on larger units and continuous seam welding on all units give these bases

strength and durability for a long life. A single (215T frame and smaller) or double (NEMA 254T frame and larger) zinc plated adjusting screw is provided. Motor mounting bolts are included. Adjustable motor bases are designed to mount to your existing motor's base.



NEMA 48 thru 215T



NEMA 447T to 449T

NEMA Frame	Catalog Number	List Price	AL	AM	AX	E	F	AO	AR	AU**	BT	AT	XC	D* Bolt	AY Bolt	App. Wt. (lbs.)	App. Wgt. (lbs.)
48	175032.00	88	10	6-1/4	1-1/8	2-1/8	1-3/8	3-1/2	2-3/4	3/8	3.00	0.08	7/8	5/16 x 1	3/8 x 4	3	2
56	175033.00	88	10-5/8	6-1/2	1-1/8	2-7/16	1-1/2	3-13/16	2-7/8	3/8	3.00	0.08	7/8	5/16 x 1	3/8 x 4	3	3
143*	175034.00	105	10-1/2	7-1/2	1-1/8	2-3/4	2	3-3/4	3-3/8	3/8	3.00	0.12	1-3/16	5/15 x 1	3/8 x 4	5	5
145*	175035.00	105	10-1/2	8-1/2	1-1/8	2-3/4	2-1/2	3-3/4	3-7/8	3/8	3.00	0.12	1-3/16	5/15 x 1	3/8 x 4	6	6
182*	175036.00	136	12-3/4	9-1/2	1-1/2	3-3/4	2-1/4	4-1/2	4-1/4	1/2	3.00	0.13	1-1/2	3/8 x 1-3/4	1/2 x 5	9	9
184*	175037.00	136	12-3/4	10-1/2	1-1/2	3-3/4	2-3/4	4-1/2	4-3/4	1/2	3.00	0.13	1-1/2	3/8 x 1-3/4	1/2 x 5	10	9
213*	175038.00	168	15	11	1-3/4	4-1/4	2-3/4	5-1/4	4-3/4	1/2	3 1/2	0.16	1-1/2	3/8 x 1-3/4	1/2 x 5	14	13
215*	175039.00	168	15	12-1/2	1-3/4	4-1/4	3-1/2	5-1/4	5-1/2	1/2	3 1/2	0.16	1-1/2	3/8 x 1-3/4	1/2 x 5	16	15
254	175040.00	256	17-3/4	15-1/8	2	5	4-1/8	6-1/4	6-5/8	5/8	4.00	3/16	1-9/16	1/2 x 1-3/4	5/8 x 9	17	17
256	175041.00	256	17-3/4	16-7/8	2	5	5	6-1/4	7-1/2	5/8	4.00	3/16	1-9/16	1/2 x 13/4	5/8 x 9	18	18
284	175042.00	279	19-3/4	16-7/8	2	5-1/2	4-3/4	7.0	7-1/2	5/8	4-1/2	3/16	2-1/16	1/2 x 2	5/8 x 9	21	21
286	175043.00	279	19-3/4	18-3/8	2	5-1/2	5-1/2	7.0	8-1/4	5/8	4-1/2	3/16	2-1/16	1/2 x 2	5/8 x 9	22	22
324	175044.00	367	22-3/4	19-1/4	2-1/2	6-1/4	5-1/4	8.0	8-1/2	3/4	5-1/4	3/16	2-9/16	5/8 x 2-1/2	3/4 x 9	30	31
326	175045.00	367	22-3/4	20-3/4	2-1/2	6-1/4	6	8.0	9-1/4	3/4	5-1/4	3/16	2-9/16	5/8 x 2 1/2	3/4 x 9	31	32
364	175046.00	484	25-1/2	20-1/2	2-1/2	7	5-5/8	9.0	9-1/8	3/4	6.00	1/4	2-1/2	5/8 x 2 1/2	3/4 x 11	45	44
365	175047.00	484	25-1/2	21-1/2	2-1/2	7	6-1/8	9.0	9-5/8	3/4	6.00	1/4	2-1/2	5/8 x 2 1/2	3/4 x 11	46	45
404	175048.00	871	28-3/4	22-3/8	3	8	6-1/8	10.0	9-7/8	7/8	7.00	1/4	3	3/4 x 3	3/4 x 14	55	60
405	175049.00	871	28-3/4	23-7/8	3	8	6-7/8	10.0	10-5/8	7/8	7.00	1/4	3	3/4 x 3	3/4 x 14	56	61
444	175088.00	1,077	31-1/4	24-5/8	3	9	7-1/4	11.0	11.0	7/8	7-1/2	5/16	2-15/16	3/4 x 3	3/4 x 14	74	68
445	175089.00	1,077	31-1/4	26-5/8	3	9	8-1/4	11.0	12.0	7/8	7-1/2	5/16	2-15/16	3/4 x 3	3/4 x 14	75	73
447	175090.00	1,188	31-1/4	30-1/8	3	9	10	11.0	13-3/4	7/8	7-1/2	5/16	2-15/16	3/4 x 3	3/4 x 14	89	92
449	175302.00	1,188	31-1/4	35-1/8	3	9	12-1/2	11.0	16-1/4	7/8	7-1/2	5/16	2-15/16	3/4 x 3	3/4 x 14	95	95

* Motor mounting bolt diameter and length, four supplied with each base

** Base mounting bolts, four required—not supplied with base

Specifications are subject to change without notice
NOTE: These bases are not suitable for vertical mounting
All dimensions in inches

Transition Bases

Transition bases compensate for the difference in mounting dimensions and shaft height of a rigid base NEMA T frame to the next higher NEMA U frame. This makes it possible, for example, to replace a 10 HP NEMA 254U frame motor with a 10 HP NEMA 215T frame motor without modifying the basic installation. Made of the same high-quality materials and construction as the

adjustable motor bases above. They are for horizontal mountings, shimming may be needed for direct coupled loads. Thread size listed is for mounting transition base to the "T" frame motor. Dimensions listed are for one piece—two are supplied, one for each side of the motor's foot.

Converts T Frame	To U Frame	Catalog Number	List Price	App. Wgt. (lbs.)	Height (Inches)	Width (Inches)	Length (Inches)	Thread
143T/145T	182/184	175091.00	89	2	1	2 1/4	5/16-18	5/16-18
182T/184T	213/215	175092.00	130	3	3/4	1 3/4	3/8-16	3/8-16
213T/215T	254U/256U	175093.00	153	5	1	2 7/16	3/8-16	3/8-16
254T/256T	284U/286U	175094.00	215	8	3/4	2 3/4	1/2-13	1/2-13
284T/286T	324U/326U	175095.00	286	10	1	3 1/4	1/2-13	1/2-13
324T/326T	364U/365U	175097.00	362	13	1	3 11/16	5/8-11	5/8-11
364T/365T	404U/405U	175098.00	484	22	1	4 1/4	5/8-11	5/8-11
404T/405T	444U/445U	175127.00	619	24	1	4 1/4	3/4-10	3/4-10



Specifications are subject to change without notice



Accessories / Kits

CE Field Conversion Kits

Lincoln Motors Only

Three Phase Motors Only

Model Numbers Beginning With:	Model Efficiency Code(s)	Frame Size	Catalog Number	List Price	App. Wgt. (lbs.)	♥ Notes
SD & SSD	P, B	143T-184T	LM22093	221	2	
		213T-215T	LM22188	221	2	
		254T-256T	LM25632	221	2	
		284T-326T	LM12429	244	2	2
		364T-365T	LM12430	733	2	1
		404T-405T	LM12454	1,183	35	1
		444T-445T	LM12463	1,530	40	1
		447T-449T	LM12479	1,530	40	1
AF & SF (also includes AB, AN & SB)	S, H	143T-145T	LM08476	221	2	
		182T-184T	LM08478	221	2	
		213T-215T	LM08582	320	2	
		254T-256T	LM08664	320	5	
		284T-286T	LM08665	320	2	3
		324T-326T	LM08709	320	2	3
		364T-365T	LM08720	364	2	3
		404T-405T	LM08738	364	2	3
		444T-445T	LM08827	1,097	40	1, 3
AF, AAF & SSF	S,PB	143T-145T	LM18872	173	2	
		182T-184T	LM18873	221	2	
AF & SF	P, B	213T-215T	LM18874	221	1	
		254T-256T	LM18875	221	2	
		284T-286T	LM18876	320	1	
		324T-326T	LM18866	320	3	
		364T-365T	LM18868	805	35	1
		404T-405T	LM18869	364	3	
		444T-445T	LM18870	485	4	
		447T-449T	LM18871	1,323	40	1
CS, CCF & CCS (excludes those motors with NN in NOTES column)	P, B	143T-184T	LM18864	221	2	
		213T-256T	LM18865	221	2	
		284T-326T	LM18866	320	3	
		364T-405T	LM18867	364	3	
		444T-445T	LM18870	485	4	
		447T-449T	LM18871	1,323	40	1, 2
MD & SE	S	284T-286T	LM12429	244	2	
		324T-365T	LM16572	313	2	
		404T-405T	LM16574	910	40	1
		404T-405T	LM12454	1,183	35	1
		444T-445T	LM16577	1,282	40	1

Specifications are subject to change without notice

Notes: P=EPAct, B=Premium, S=Standard Eff., G=U-Frame Standard

1. Kit includes larger than standard terminal box.

2. Terminal box is heavy gauge steel CS models normally have cast iron box

3. Blower motor on TEBC CTAC® models, 284T frames and larger, is not CE compliant

* Multiguard® motors

Usable on 380 to 575V (for others, contact Lincoln). Price includes terminal strip suitable for six connections and grounding lug. Contact customer service regarding nameplate with CE mark.

Copies of Lincoln's Declaration of Conformity for the low voltage Declaration of Conformity for the

Low Voltage Directive and Manufacturer's Declaration for the Machinery Directive are available on request



Accessories / Kits

Shaft Grounding Rings (SGRs)

For use with Lincoln rolled steel, aluminum and cast iron frame US built motors
For use with LEESON® Inverter Duty, 800000 Series cast iron motors
For Use with LEESON IEEE-841 duty motors
Note - will not meet DIV 2 certification with SGRs

Shaft grounding is recommended (NEMA® MG1 31.4.4.3) as an effective means of bearing protection for motors operated from inverter power. One grounding device is adequate to bleed down inverter-sourced shaft voltages, thereby protecting both bearings for motors as large as 6085 frame. Kits includes grounding ring, mounting hardware and instructions. Shaft ground rings fit these NEMA shaft extension frames listed below, they are designed to mount on the shaft end.

Shaft Grounding Ring (SGR)

Note: Cannot Be Used On Explosion Proof Motors

NEMA Frame	Catalog Number	Stock	List Price
48	LM32396	√	195
56	LM32397	√	195
143-145T	LM32398	√	195
182-184T	LM32399	√	228
213-215T	LM32401	√	259
254-256T	LM32402	√	325
284-286T	LM32403	√	581
284-286TS	LM32402	√	325
324-326T	LM32405	√	455
324-326TS	LM32403	√	581
364-365T	LM32407	√	520
364-365TS	LM32403	√	581
404-405T	LM32409	√	775
404-405TS	LM32405	√	455
444-445T	LM32411	√	1,362
444-445TS	LM32407	√	520
447/449T	LM32411	√	1,362
447/449TS	LM32407	√	520

Specifications are subject to change without notice



For Use with CI Wattsaver® Motors "17" Series Shaft Grounding Ring (SGR)

NEMA Frame	Motor Poles	Catalog Number	List Price
182-4T	2-4	176090.60	126
213-5T	2-4-6	176091.60	151
254-6T	2-4-6	176092.60	187
284-6T/TS	2-4-6	176093.60	196
324-6T/TS	2-4-6	176094.60	209
364-5T/TS	2-4-6	176095.60	227
404-5T/TS	2-4-6	176096.60	337
444-5T	4-6	176097.60	528
447-9T	4-6	176098.60	528

Specifications are subject to change without notice

Note: TEFC Motors produced after August 2015 have holes available for mounting these kits. April 2016 on ODP Models. Not available on 180 and 210 frame ODP motor

For Use with LEESON Ultimate e™ Series Motors ODP and TEFC designs Shaft Grounding Ring Kit (SGR)

NEW!

NEMA Frame	Motor Poles	Catalog Number	List Price
182-4T	2-4-6	176154.00	123
213-5T	2-4-6	176155.00	147
254-6T	2-4-6	176156.00	182
284-6T/TS	2-4-6	176157.00	191
324-6T Δ	2-4-6	176158.00	203
364-5TS	2	176158.00	203
364-5T	4-6	176159.00	221
404-5T	4-6	176161.00	328
404-5TS	2	176162.00	328
444-5T - 447T - 449T	4-6	176163.00	514
444-5TS - 447TS - 449TS	2	176164.00	514

Specifications are subject to change without notice

Δ - No SGR ring for TEFC 324/326TS frame motors

For use with Ultimate E Series motors built after Sept. 2015

Aegis is a trademark of Illinois Tool Works Inc. All Rights Reserved.

NEMA is a trademark of National Electrical Manufacturers Corporation. All Rights Reserved.



Types of Motor Mounts

Gearmotors

AC / DC Controls

Accessories / Kits

Mods / Factory Options

X-Ref / Index

Tech Information

Warnings/Cautions



Rigid base is bolted, welded, or cast on main frame and allows motor to be rigidly mounted on equipment.



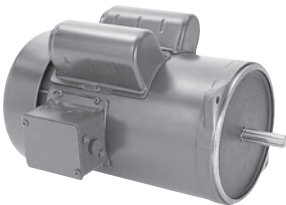
Resilient base has isolation or resilient rings between motor mounting hubs and base to absorb vibrations and noise. A conductor is imbedded in the ring to complete the circuit for grounding purposes.



NEMA® C face mount is a machined face with a pilot on the shaft end which allows direct mounting with the pump or other direct coupled equipment. Bolts pass through mounted part to threaded hole in the motor face.



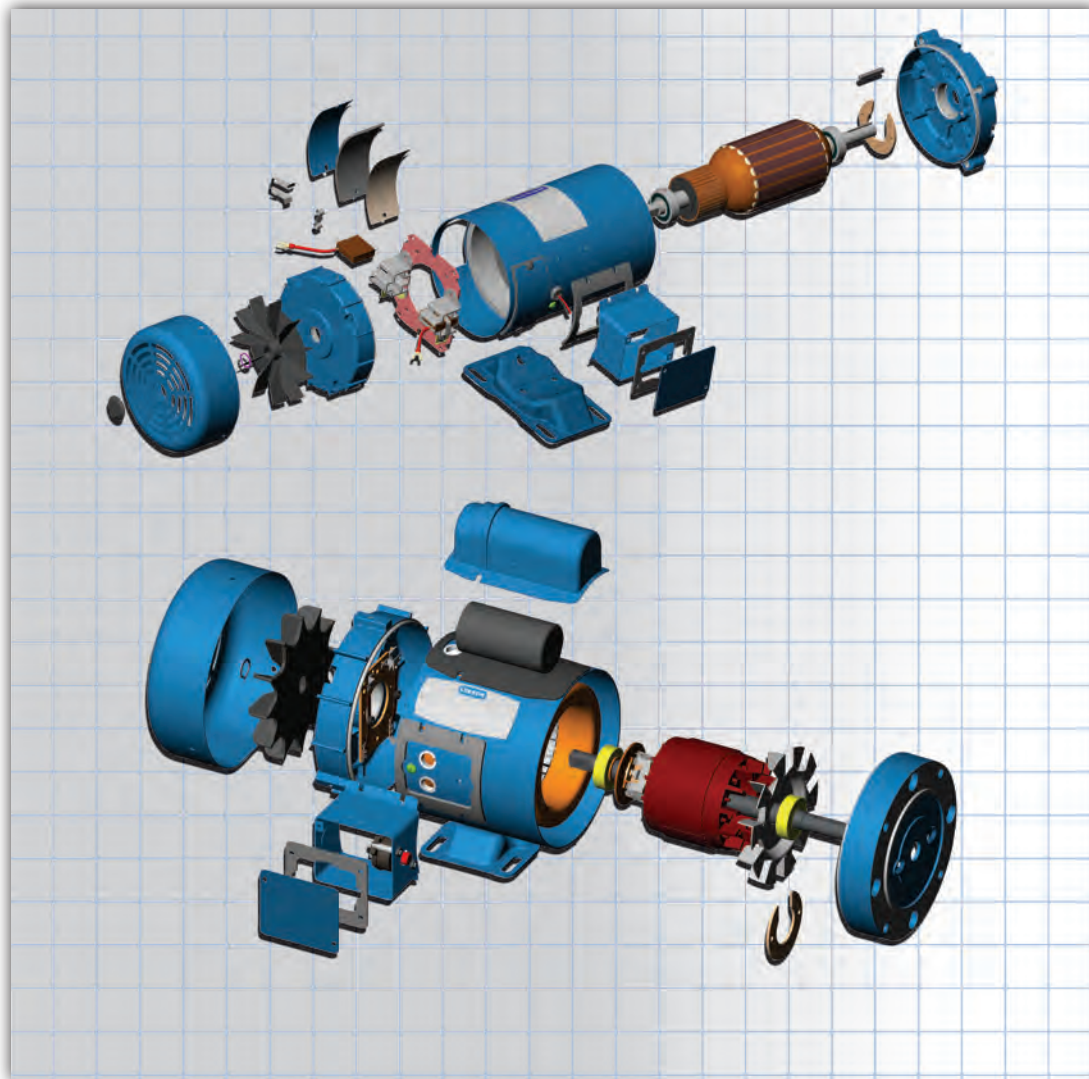
NEMA D flange mount is a machined flange with rabbet for mountings. Bolts pass through motor flange to a threaded hole in the mounted part. NEMA C face motors are by far the most popular and most readily available. NEMA D flange kits are stocked by some manufacturers, including LEESON.



Type M or N mount has special flange for direct attachment to fuel atomizing pump on an oil burner. In recent years, this type of mounting has become widely used on auger drives in poultry feeders.



Extended through-bolt motors have bolts protruding from the front or rear of the motor by which it is mounted. This is usually used on small direct drive fans or blowers.



Contact your local LEESON Sales office for genuine replacement motor parts.

Mod-Squad Stock Motor Modification Program

Your motor, your way...now

The Mod-Squad stands on alert ready to tailor a LEESON® or Lincoln stock motor to meet your modified motor needs in a few days or less. From one modified motor up to a few—there is no faster, more versatile source for mechanically or electrically “customerized” motors.

Starting with an off-the-shelf LEESON or Lincoln motor selected from the nearly 6,000 LEESON or Lincoln stock motors, the modifications listed here can be completed in the time frame noted for each item.

Ordering Information

To order please specify the catalog number of the LEESON or Lincoln stock motor to be modified and the Mod-Squad modification catalog number or numbers desired.

An inventory of popular motors is maintained by the Modification Center for fast delivery. However, delivery of the modified motor is governed by availability of the stock motor. If a stock motor is shipped from a District Warehouse, delivery of the mod will be extended.

Modification list prices are subject to the same discounts that apply to the motor. (Some motors, such as explosion-proof, may not be modified.) Days noted are working days excluding holidays and weekends—larger quantities may require additional leadtime.

MOD-SQUAD Cancellation Policy

Modified motors may not be returned for credit or re-stocking. If a modification order is cancelled after it has been completed, but before it is shipped, a cancellation charge of double the amount of the modification charge will be invoiced to the customer. Any Mod-Squad order cancelled before the modification is completed is subject to cancellation charges of 10% of total charges for that item.

Terms are net 30 days, FOB Indianapolis, IN, with freight prepaid on single shipments of 1,500 pounds or 3,000 dollars or more to the first destination within the continental United States, excluding Alaska.

Index to Motor Modifications

Description	Mod-Squad Number	Page
Bearing Modifications	L2	409
Blower Fan Kits - WATTSaver® Motors	L30	419
Brakemotor Modifications - LEESON Motors Only	L3	410
CE Marking	L24	417
Condensate Drains - Totally Enclosed Motors	L8	411
Cords, Plugs & Grounding Provisions	L5	410
Drip Cover - Open, Drip-Proof Motors	L9	412
Dynamic Braking Boards - Micro Series - LEESON Motors Only	L28	418
Encoder Kits - Wattsaver® & SPEEDMASTER® Motors	L29	419
Fungus Proofing and Tropicalization	L19	416
Larger Size Conduit Box - Lincoln Motors Only	L31	419
Leads - Reconnect, Remark or Extend	L10	412
Lint-Proof Textile Service Motors - LEESON Motors Only	L17	416
Marine Service Motors - Three Phase, Totally Enclosed	L21	417
Motor Protection	L18	416
Mountings	L12	413
Nameplates	L13	415
Paint	L14	415
Remote Keypad Option - Micro Series - LEESON Motors Only	L25	418
Rodent Screens - LEESON Motors Only	L15	415
Severe Duty - Cast Iron Fan Covers - LEESON Motors Only	L7	411
Shaft Grounding Ring (SGR) modification	L32	419
Shaft Modification	L22	417
Shaft Seals	L11	412
Space Heaters, Anti-Condensation	L16	415
Switches - Power or Electronic Starting	L6	411
Tachometer Mounting Provisions - DC Motors - LEESON Motors Only	L23	417
Terminal Blocks - NEMA Motors	L27	418
Totally Enclosed Air Over Conversion	L22	417
Weatherproofing - Three Phase, Totally Enclosed Motors	L20	416



L2 Bearing Modifications

Two Days

#L2a Changing shielded bearings to sealed bearings on stock motors. 48-449T, Agricultural motors as well as all Washguard® duty and Wash-Thru motors have sealed bearings as standard. Note: Adding sealed bearings to motors having grease fittings may not make the bearings regreaseable. Grease fittings will be removed and plugged.

NEMA® Frame	Catalog Number	List Price
42	L2A42	204
48	L2A48	204
56	L2A56	204
143T-145T	L2A140	209
182T-184T	L2A180	228
213T-215T	L2A210	243
254T-256T	L2A250	426
284T-286T	L2A280	542
324T-326T	L2A320	712
364T-365T	L2A360	1,262
404T-405T	L2A400	1,308
444T-449T	L2A440	1,742

#L2c Change bearing grease on cast iron motors with open-type regreaseable bearings. Endbells and bearings are purged and repacked with low-temperature grease (Beacon #325 or equivalent) with a temperature range of -75°F to +250°F or high-temperature grease (Dow Corning® DC44M or equivalent) with a temperature range of -40°F to +400°F. Specify grease to be used. Check with LEESON to verify the motor can operate in the temperature range required! LEESON Motors Only.

NEMA Frame	IEC Frame	Catalog Number	List Price
254T-256T	-	L2C250	391
284T-286T	160	L2C280	437
324T-326T	180	L2C320	610
364T-365T	200	L2C360	652
404T-405T	225	L2C400	1,044
444T-449T	250	L2C440	1,434

#L2b Stock motors with shielded or sealed bearings – replace standard bearings with ones having low-temperature lubricant (Beacon® #325 or equivalent), with a temperature range of -75°F to +250°F. Standard lubricant has a temperature range of -20°F to +300°F and is considered a high temp lubricant for these motors. Explosion proof motors can only be rated to a -13°F temperature.

NEMA Frame	Catalog Number	List Price
42	L2B42	204
48	L2B48	204
56	L2B56	204
143T-145T	L2B140	209
182T-184T*	L2B180	228
213T-215T*	L2B210	243

*Rolled steel, cast iron or aluminum motors

Note: Not available on Washdown Duty Motors

Note: *IEC motors with equivalent frame sizes are also applicable for this Mod

Note: *Cannot modify Stainless Motors for L2b modification

#L2d Install insulated bearings to protect inverter-driven motors from inverter-sourced shaft voltages. May not be installed on Division 1 or Division 2 hazardous locations. Contact factory for lead time on installing insulated bearings.

NEMA Frame	Catalog Number	List Price
143T-145T	L2D140	506
182T-184T	L2D180	606
213T-215T	L2D215	1,780
254T-256T	L2D250	1,895
284T-286T	L2D280	1,895
324T-326T	L2D320	2,058
364T-365T	L2D360	2,103
404T-405T	L2D400	2,128
444T-449T	L2D440	2,358

Beacon is a trademark of APDN Inc.

Dow Corning is a trademark of Dow Corning Corporation.

NEMA is a trademark of National Electrical Manufacturers Corporation. All Rights Reserved.



Mods / Factory Options

L3 Brakemotor Modifications

"Motors and BrakeKits sold separately"

Leadtimes subject to availability

#L3a Convert brakemotors (TENV only) with standard enclosure brakes to weatherproof brakes by changing the disc brake. Weatherproof brakes have additional sealing and protection. Price includes cost of weatherproof brake.

Lead time = 3 days

#L3b Change the standard brake to one with a different torque rating. Specify torque rating. Standard enclosure brakes only—not weatherproof. Some torque limitations apply, specify torque rating.

Catalog Number L3B. List price - \$174

Lead time = 3 days

#L3c Change brake coil voltage. Change from standard coil voltage to 115 volts (for Stearns® brand brakes only).

Catalog Number L3C. List Price \$174

L3c - Break coil sold separately, contact LEESON for pricing. **Leadtime = 14 days**

#L3d Install a LEESON BrakeKit. See brakemotor section for BrakeKits available and motors that can be converted. Specify the catalog number of both the stock motor and the BrakeKit.

List Price \$356

Lead time = 3 days

#L3e Remove brake from stock brakemotor for customers supplying their own brake. Specify Catalog Number L3E. List Price \$356

Lead time = 3 days

#L3f Assemble double C-face coupler brake on C-face motor. MOD charge is for assembly only. Brake and motor are purchased separately. Specify the catalog number of the stock motor and coupler brake.

Catalog Number L3F56140 - 56C, 143TC, or 145TC motors. List Price \$356

Catalog Number L3F180210 - 182TC, 184TC, 213TC, or 215TC motors. List Price \$510

Lead time = 3 days

#L3g Change Brake Coil Voltage. Change from standard coil voltage to 200 volts (for Stearns brand brakes only).

Catalog Number L3G1.5-3 - 1.5 & 3 lb-ft brakes. List Price \$422

Catalog Number L3G6-10 - 6 & 10 lb-ft brakes. List Price \$422

Lead time = 14 days

Catalog Number	List Price
L3A3	892
L3A6	892
L3A10	910
L3A15	938
L3A25	1,032



BrakeKit Installation

L5 Cords, Plugs and Grounding Provisions

Three Days

#L5a For single phase motors, install grounded line cord of type S.O., three-conductor oil resistant cord, connected in the conduit box or terminal panel, with strain relief. No plug. **Specify cord length, voltage and shaft rotation (clockwise or counterclockwise) viewed from the drive shaft end of the motor.**

Wire Gauge	Max Amp Rating Single Phase	Catalog Number 6 ft. or Less	List Price 6 ft. or Less	Catalog Number Each Add'l. Foot	List Price Each Add'l Foot to 10 ft. Max.
16	13	L5A16	170	L5A16ADD	3
14	18	L5A14	179	L5A14ADD	3
12	25	L5A12	187	L5A12ADD	4

#L5b Install 6-foot grounded type S.O. cord with plug, 115VAC single phase only. **Specify cord length, shaft rotation (clockwise or counterclockwise) viewed from the drive shaft end of the motor.**

HP	Catalog Number 6 ft. or Less	List Price 6 ft. or Less	Catalog Number Each Add'l. Foot
1 and smaller	L5B	169	L5BADD

#L5c Add an additional grounding screw to the endbell of drip-proof or totally enclosed non-ventilated NEMA® 48 or 56 frame motors. Meets UL 1081 swimming pool motor grounding provisions (includes slinger)

Catalog Number L5C. List Price \$144



Grounded Cord w/Plug

Stearns is a trademark of Rexnord Industries, LLC

NEMA is a trademark of National Electrical Manufacturers Corporation. All Rights Reserved.



L6 Switches – Power or Electronic Starting

Three Days

NOT FOR 1 PHASE EXPLOSION PROOF OR STAINLESS MOTORS

#L6a On-off switch for 2 HP and smaller single phase motors only. Install double-pole, single-throw switch in the conduit box, with switch guard and a 6-foot type S.O. cord with grounded plug, **115 VAC or 230 VAC—please specify. Also specify shaft rotation (clockwise or counterclockwise) viewed from the drive shaft end of the motor.**

Rating	Catalog Number	List Price
16-20A/115V or 230V	L6A	360



On-Off Switch w/Guard

#L6b Replace mechanical centrifugal switch on single phase motors 2HP and smaller with solid-state, encapsulated, electronic starting switch. Capacitor-start, induction-run motors only. **Subject to engineering approval.** Catalog Number L6B. List Price \$365

L7 Severe Duty – Cast Iron Fan Covers – LEESON® Motors Only

Three Days

#L7a Remove steel fan guard and install a cast iron fan guard on LEESON 150, G150 and 170 series NEMA and 193 series IEC TEFC cast iron motors to meet severe duty, mill and chemical duty specifications. Note: These motors have cast iron endbells, frame, and conduit box as standard. **Lincoln Motor has a line of severe duty motors that include a cast iron fan guard. See page 106.**

NEMA® Frame	IEC Frame	Catalog Number	List Price
182T-184T	–	L7A180	378
213T-215T	–	L7A210	425
254T-256T	–	L7A250	519
284T-286T	160	L7A280	809
324T-326T	180	L7A320	839
364T-365T	200	L7A360	1,182
404T-405T	225	L7A400	1,281
444T-445T	250	L7A445	1,289
447T-449T	280	L7A449	1,315



Cast Iron Fan Cover

L8 Condensate Drains – Totally Enclosed Motors

Two Days

#L8a 215T and smaller steel frame motors. Drill one or two condensation drain holes on the periphery or in the face of each endbell of steel frame 215T frame and smaller totally enclosed motors. **Specify location in both the shaft end and opposite endbell using a drawing or clockface analogy.** When specified, a drain can be added to the face of one endbell for shaft up or down mounting.

NEMA Frame	Catalog Number	List Price
215T and smaller	L8A40210	265
254T-365T	L8A250360	368
404T-449T	L8A400440	442



Condensate Drain

#L8b 182T and larger cast iron frame motors. Provides an additional one-way, cross-drilled stainless steel condensation drain on the periphery or in the face of each endbell. Provide a drawing or clockface analogy for position in each endbell.

NEMA Frame	Catalog Number	List Price
215T and smaller	L8B40210	265
254T-365T	L8B250360	368
404T-449T	L8B400440	442

#L8c Add brass drains and breather on all non-explosion proof and non-washdown duty motors 56 - 449T frame.

NEMA Frame	Catalog Number	List Price
215T and smaller	L8C56210	265
254T-365T	L8C250360	368
404T-449T	L8C400440	442



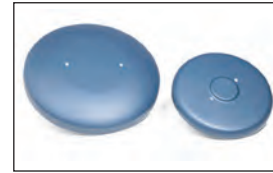
Mods / Factory Options

L9 Drip Cover – Open, Drip-Proof Motors

Two Days

#L9a Install a drip cover on steel frame motors. Price includes drip cover.
LEESON® Motors Only

NEMA® Frame	Catalog Number	List Price
48-145T ^	L9A40140	174
182T-184T *	L9A180	189
213T-215T *	L9A210	209



Drip Cover

* Not for explosion proof motors
 ^ For motors having the date suffix letter of B, P or K.
 * For motors having the date code suffix letter of M

#L9b Install a drip cover on cast iron motors. Price includes drip cover.
LEESON Motors Only

NEMA Frame	Catalog Number	List Price
182T-184T	L9B180	189
213T-215T	L9B210	209
254T-256T	L9B250	251

For LEESON Wattsaver® cast iron motors - "17" Series

#L9c Install a drip cover on SPD, SRD and SSD Model Numbers. Not suitable for use on motors having NN in Notes column.
Lincoln Only

NEMA Frame	Catalog Number	List Price
48-56*	L9C4856	174
56-145T	L9C56145	174
182T-184T	L9C182184	189
213T-215T	L9C213215	209

* Motors having a 2.18 inch bolt circle for the mounting holes

L10 Leads – Reconnect, Remark or Extend

Two Days

#L10a Re-Connect leads in the conduit box to a single voltage and/or for wye or delta connection. Most motors 444T frame and above are single voltage. Specify voltage and connection.

NEMA Frame	Catalog Number	List Price
48-145T	L10A40140	192
182T-184T	L10A180	304
213T-215T	L10A210	405
254T-256T	L10A250	453
284T-286T	L10A280	600
324T-326T	L10A320	678
364T-365T	L10A360	678
404T-405T	L10A400	760
444T-449T	L10A440	846

Not for IEC - Metric Motors

#L10c Extend leads up to 42 inches longer than standard by splicing. **Specify additional length required.**

NEMA Frame	Catalog Number	List Price
48-145T	L10C40140	192
182T-184T	L10C180	304
213T-215T	L10C210	405
254T-256T	L10C250	453
284T-286T	L10C280	600
324T-326T	L10C320	678
364T-365T	L10C360	678
404T-405T	L10C400	760
444T-449T	L10C440	760

#L10b Remark leads using metal markers. Any size motor. **Specify markings, letters or numbers. Specify Catalog Number L10B.** List Price \$204

#L10d Add crimp-type terminal lugs – steel frame motors. Lugs standard on LEESON cast iron motors. **Specify Catalog Number L10D.** List Price \$158

L11 Shaft Seals

Three Days

#L11a Install an oil seal on the shaft end of 215T and smaller steel frame LEESON motors. May be installed on single, three phase or direct current motors, but not explosion-proof motors.

Catalog Number	List Price
L11A	507



L12 Mountings

#L12a Add a stamped steel rigid base to steel frame motors. For 182-4T frame motors, minimum 8.50" (TEFC, rigid, C face) or 8" (ODP, rigid, C face) frame length is required. **LEESON® Motors Only**

NEMA® Frame	Catalog Number	List Price
42-48	L12A4248	204
56	L12A56	207
143T-145T	L12A140	207
182T-184T	L12A180	250
213T-215T	L12A210	304

Note: It is not possible to add a base to some three phase motors as the resulting rigid base motor will be subject to EISA mandated efficiency values. Contact the factory.

This Mod cannot be done on an explosion proof motor for an F2 conduit box location, cannot modify stainless steel motors for L12a modification.

#L12b Remove stamped steel rigid base from steel frame motors.

NEMA Frame	Catalog Number	List Price
42-56	L12B4256	314
143T-145T	L12B140	314

Excludes Explosion Proof and Stainless Steel Motors

#L12c Install a NEMA C face on steel frame motors 215T and smaller. Specify if the rigid base is to be removed. If so, add for modification #L12b listed above. List Price includes C face Kit.

LEESON Motors Only

NEMA Frame	Catalog Number	List Price
42-56*	L12C4256	264
143T-145T	L12C140	264
182T-184T	L12C180	286
182T-184T**	L12C180U	286
213T-215T	L12C210	354

Excludes Explosion Proof Motors

*Adding a 48 C-Face results in a non-NEMA BA dimension.
 ** Convert a 182T-184T frame motor to have a C-face dimensions of a 143T-145T or 182U-184U frame motor (AJ = 5 7/8 ", AK = 4 1/2 "). The shaft dimensions and base location will not change.

#L12d Install a NEMA C face to 15, 17 or 19 or B19 series cast iron motors. The rigid base cannot be removed from these cast iron frame motors. List Price includes C Face Kit. **LEESON Motors Only**

NEMA Frame	Catalog Number	List Price
182T-184T	L12D180	475
213T-215T	L12D210	517
254T-256T	L12D250	654
284T-286T	L12D280	792
324T-326T	L12D320	1,026
364T-365T	L12D360	1,115
404T-405T	L12D400	1,218
444T-445T	L12D440	1,497
447T-449T	L12D4479	1,582

#L12e Install a NEMA D flange to open or totally enclosed motors of steel frame construction in 182-4T frame and cast iron 150 and 170 series motors in 213T frames through 445T frame. Steel rigid base can be removed from steel frame 182-4T frame motors. Specify and add for modification L12b. Rigid base cannot be removed from cast iron frame motors. List Price includes D Flange.

LEESON Motors Only

NEMA Frame	Catalog Number	List Price
182T-184T	L12E180	475
213T-215T	L12E210	517
254T-256T	L12E250	654
284T-286T	L12E280	792
324T-326T	L12E320	1026
364T-365T	L12E360	1,115
404T-405T	L12E400	1,494
445T-449T	L12E440	1,944

#L12f Convert standard F1 motors to F2, sidewall or ceiling mounting. Consists of repositioning the endbell vents and condensation drains where applicable and the conduit box lead hole. Note: If brakemotor, brake knob will be located at 6 o'clock. Note: Only the 56/140 frame motors can have the motor bases removed where needed. **LEESON or Lincoln branded** motors where applicable. Excludes DC motors.

NEMA Frame	Catalog Number	List Price
56-184T	L12F56180	405
213T-215T	L12F210	439
254T-326T	L12F250320	523
364T-449T	L12F360449	678

Three phase only; single phase motors cannot be converted. Please contact factory for Explosion proof motor approval for this modification. Washdown and DC motors cannot be converted to F2.

#L12g Rotate standard conduit box position by 90° increments. Specify by clock face, i.e. 9 o'clock, 12 o'clock, etc. for position (viewed from shaft end). Consists of repositioning the endbell vents and condensation drains where applicable and the conduit box lead hole. Note: If brakemotor, brake knob will be rotated 90° from conduit box. This mod. can no longer be offered on the 180 and 210 frame motors for the bases of these motors can no longer be removed without damaging the motor. List Price includes D Flange.

NEMA Frame	Catalog Number	List Price
56-145T	L12G56140	405

Three phase rolled steel only; single phase motors cannot be converted.

#L12h Install a metric (IEC) B5 flange to 190 series cast aluminum or cast iron AC motors and DC steel frame motors. List Price includes B-5 Kit.

LEESON® Motors Only

IEC Frame	Catalog Number	List Price
63	L12H63	277
71	L12H71	319
71 (DC)	L12HD71	360
80	L12H80	517
80 (DC)	L12HD80	277
90	L12H90	517
90 (DC)	L12HD90	277
100	L12H100	730
112	L12H112	932
100/112/(DC)	L12HD100112	319
132	L12H132	360
160	L12H160	517
180	L12H180	588
200	L12H200	730
225	L12H225	932

#L12i Install C Face kit to an IEEE-841 motor. Modification includes C Face kit and new Inpro shaft seal. Bases cannot be removed from these motors.

NEMA Frame	Catalog Number	List Price
143T-145T	L12I140	333
182T-184T	L12I180	475
213T-215T	L12I210	517
254T-256T	L12I250	654
284T/TS-286T/TS	L12I280	792
324T/TS-326T/TS	L12I320	1,026
364T-365T	L12I360	1,705
404T-405T	L12I400	1,748
447T-449T	L12I440	1,748

#L12j Install a metric (IEC) B14 face to 190 series cast aluminum or cast iron AC motors and DC steel frame motors. List Price includes B-14 Kit. **LEESON Motors Only**

IEC Frame	Catalog Number	List Price
63	L12J63	277
71	L12J71	319
71 (DC)	L12JD71	360
80	L12J80	517
80 (DC)	L12JD80	277
90	L12J90	517
90 (DC)	L12JD90	277
100	L12J100	730
112	L12J112	932
100/112/(DC)	L12JD100112	319
132	L12J132	360
160	L12J160	517

#L12k Reposition feet and nameplate (to relocate conduit box) on AC aluminum-frame IEC motors (63 thru 90L frame). **LEESON Motors Only**

IEC Frame	Catalog Number	List Price
63	L12K63	181
71	L12K71	191
80	L12K80	204
90	L12K90	255

#L12l Install C Face. For motors having AF/AAF in the model number. List Price includes C Face Kit. **Lincoln Only**

NEMA® Frame	Catalog Number	List Price
182T-184T	L12L182184	286
213T-215T	L12L213215	354
254T-256T	L12L254256	399
284T-286T	L12L284286	448

#L12m Install C Face. For motors having SRF in the model number. List Price includes C Face Kit. **Lincoln Only**

NEMA Frame	Catalog Number	List Price
56 (203 brg)	L12M56203	264
56 (205 brg)	L12M56205	264

#L12n Install C Face. For motors having SSF in the model number. List Price includes C Face Kit. **Lincoln Only**

NEMA Frame	Catalog Number	List Price
143T-145T	L12N143145	264
182T-184T	L12N182184	286
213T-215T	L12N213215	354

#L12o Install C Face. For motors having SF in the model number, having a cast iron endbell. List Price includes C Face Kit. **Lincoln Only**

NEMA Frame	Catalog Number	List Price
324T/TS-326T/TS	L12O324326	1,026
364T/TX-365T/TS	L12O364365	1,115
404T/TS-405T/TS	L12O404405	1,218
444T/TS-445T/TS	L12O444445	1,497
447T/TS-449T/TS	L12O447449	1,582

#L12p Install C Face. For motors having CCN in the model number. List Price includes C Face Kit. **Lincoln Only**

NEMA Frame	Catalog Number	List Price
143-145T	L12P143145	264

Inpro is believed to be the trademark or trade name of INPRO/SEAL LLC and is not controlled by Regal Beloit Corporation.

NEMA is a trademark of National Electrical Manufacturers Corporation. All Rights Reserved.



#L12q Install C Face. For motors having CCF in the model number. List Price includes C Face Kit. **Lincoln Only**

NEMA® Frame	Catalog Number	List Price
143T-145T	L12Q143145	264
182T-184T	L12Q182184	475
213T-215T	L12Q213215	517
254T-256T	L12Q254256	654
284T-286T	L12Q284286	792
342T-326T	L12Q324326	1,026

#L12r Install C Face. For motors having CCS in the model number. List Price includes C Face Kit. **Lincoln Only**

NEMA Frame	Catalog Number	List Price
143T-145T	L12R143145	264
182T-184T	L12R182184	475
213T-215T	L12R213215	517
254T-256T	L12R254256	654
284T/TS-286T/TS	L12R284286	792
342T/TS-326T/TS	L12R324326	1,026
364T/TS-365T/TS	L12R364365	1,115
404T/TS-405T/TS	L12R404405	1,218
444T/TS-445T/TS	L12R444445	1,497

L13 Nameplates

Three Days

#L13a Provide an extra motor nameplate-Unmounted. (Nameplate only) Add customer part number or change to other voltage or frequency service. **Unmounted nameplates are not available for explosion-proof motors.**

Note: Markings for UL and CSA cannot be included on unmounted nameplates that are shipped loose and not installed on a motor.

Ⓛ Add \$1 (net) for each additional Aluminum or Mylar nameplate.Ⓜ Add \$2 (net) for each additional stainless steel nameplate.Ⓨ Catalog Number L13A. List Price per motor \$142 60Hz single phase motors cannot be re-rated to 50Hz **Must Provide Date Code Information.**

#L13b Replace, existing nameplate on provided motor. Add customer part number or change to other voltage or frequency service and mount to motor. Ⓛ List Price per motor \$165

Note: Not available for motors that are all stainless steel construction.

#L13c Replace standard aluminum nameplate with stainless steel nameplate. LEESON® cast iron, WASHGUARD® and severe duty motors have stainless steel nameplates as standard.Ⓛ Add \$2 (net) for each additional stainless steel nameplate. Ⓜ List Price per motor \$169

Ⓛ Must specify catalog number and date code of motor's existing nameplate. Nameplates changed to a single voltage connection does not mean motors would be re-connected to this connection unless the L10 Mod is also requested. Ⓜ Additional nameplates must be identical.

L14 Paint

Two Days*

#L14a Repaint motor to another LEESON or Lincoln stock paint color. A sample of choices include LEESON blue, white epoxy, farm duty red, light gray epoxy, black, or black epoxy. Powder coat paint is not available as a modification. For Lincoln motors, your choices include: Lincoln gray, severe duty blue, black or gloss white. Not available on Lincoln Wash-thru motors. **Specify color.**

	Frame	Catalog Number	List Price
NEMA	42-215T	L14A40210	174
NEMA	254T-365T	L14A250360	353
NEMA	404T-449T	L14A400440	563
IEC	63-90	L14A6390	174
IEC	100-225	L14A100225	354

***Note: Epoxy paint requires extra curing time. Please allow one additional day.**

L15 Rodent Screens – LEESON Motors Only

Two Days

#L15a Add rodent screens to open drip-proof motors, cast iron and steel frame, 326T and smaller.

NEMA Frame	Catalog Number	List Price
182T-S213T	L15A40210	278
254T-286T	L15A250280	633
324T-326T	L15A320	848

L16 Space Heaters, Anti-Condensation

Five Days

#L16a Add anti-condensation space heaters to totally enclosed or open motors. Standard space heater voltage is 115 VAC. **Heaters for 230 or 460 VAC are available. Specify circuit voltage.** May be installed in single, three phase or direct current motors. Explosion proof motors are not included. Washdown duty motors are **not** included.

NEMA Frame	Catalog Number	List Price
145T and smaller	L16A40140	386
182T-215T	L16A180210	486
254T-365T	L16A250360	727
404T-449T	L16A400440	954

Mods / Factory Options

L17 Lint-Proof Textile Service Motors – LEESON® Motors Only

Two Days

#L17a Convert a standard totally enclosed-fan cooled motor to textile service by modifying the fan cover to reduce “snagging” of lint and reduction in cooling air for the motor. Price includes kit cost.



Lint-Proof Kit

NEMA Frame	Catalog Number	List Price
56-145T	L17A40140	353
182T-184T	L17A180	460

L18 Motor Protection

Two Days

#L18a Thermostats on the winding. Install one or more thermostats in the windings of NEMA® frame AC motors on the brush plate of DC motors or on the inside of frame on Sub-FHP DC motors. These are pilot or signal devices only, to be used in series with a motor controller or starter to remove power from the motor. Red color leads are brought into the conduit box. **Specify normally open or closed contacts.** Normally closed thermostats connected in series. **Thermostats cannot be installed in explosion-proof or Washdown duty motors.**

Type	NEMA Frame	Catalog Number	No. of Devices	List Price
Single Phase	All	L18AS40210	1	220
Three Phase	42-215T	L18AT40210	2	250
Three Phase	254T-365T	L18AT250360	2	678
Three Phase	404T-449T	L18AT400440	2	846
Direct Current	42-56	L18AD4056	1	250

#L18c Thermistors on the winding. As standard, three (3) thermistors are furnished, one per phase. As the critical temperature of the motor’s winding is reached, the resistance of the thermistor changes radically, causing operation of a control relay. Not available on washdown duty motors, explosion proof motors or medium voltage motors.

Type	NEMA Frame	Catalog Number	No. of Devices	List Price
Three Phase	42-215T	L18CT40210	3	282
Three Phase	254T-365T	L18CT250360	3	709
Three Phase	404T-449T	L18CT400440	3	878

Note: IEC motors with equivalent frame sizes are included in this Mod.

Note: Thermostat and Thermistor Descriptions:

Thermostats are made of two or three different metal strips that each expand at different rates when heated. They are sandwiched together to make a laminated strip, with a set of electrical contacts at one end securely mounted to a platform. When the strip is heated it warps and the contacts open as a threshold temperature is exceeded. Thermostats are reliable, noise immune and easily configured into control schemes. Typically, inverter-duty motors have thermostats as standard equipment.

Thermistors are conductive ceramic materials, whose resistance remains relatively constant over a broad temperature range, then changes abruptly at a design threshold point, creating essentially a solid-state thermal switch. Attached control modules register this abrupt resistance change and produce an amplified output signal, usually a contact closure or fault trip annunciation. Thermistors are more accurate and faster responding than thermostats.

L19 Fungus Proofing and Tropicalization

Two Days

#L19a Special treatment of the motors windings and mechanical parts to resist tropical environments. Not available on brakemotors, washguard duty motors and explosion proof motors.
** AC or DC Motors

NEMA Frame	Catalog Number	List Price
42-215T**	L19A40210	291
254T-365T	L19A250360	423
404T-449T	L19A400440	675

L20 Weatherproofing – Three Phase, Totally Enclosed Motors*

Five Days

#L20a Treatment of mechanical and electrical components of LEESON steel frame totally enclosed motors to resist weather in application outside or in high-moisture conditions. NOTE: LEESON 150 and 170 series cast iron motors are weatherproofed as standard. LEESON WASHGUARD® motors are also well-suited for outside and high-moisture applications. Not available on brakemotors or explosion proof motors.

NEMA Frame	Catalog Number	List Price
42-215T**	L20A40210	285

For single phase weatherproofed motors, see Washguard motors on pages 149 and 172.
** AC or DC motors

L21 Marine Service (IEEE 45) Motors – Three Phase, Totally Enclosed – LEESON® Motors Only

Five Days

- #L21a In order for a motor to be approved for the L21 MOD, the motor must meet:
- IP 54 minimum protection
 - Motor frame, conduit box and endbells must be cast iron construction - cast iron fan cover must be added
 - Motor's temperature rise must meet 70 degrees C or less and must be rated at 1.15 or higher Service Factor (S.F.)

NEMA® Frame	Catalog Number	List Price
56-215T**	L21A40210	291
254T-365T	L21A250360	489
404T-405T	L21A400	727
444T-449T	L21A440	918

Contact your local sales office for more information

L22 Shaft Modifications

Five Days

- #L22a Drill and tap one hole in either end of motors shaft or mill a flat on the drive end shaft extension. **Provide details of hole, thread size or flat with the order.** List price is per modification. For example, a motor modified by adding a tapped hole and flat would be priced by adding the list price twice. 3 inches maximum depth hole. Does not include keyway modification.

NEMA Frame	Catalog Number	List Price
42-145T	L22A40140	263
182T-184T	L22A180	278
213T-215T	L22A210	433
250T-280T	L22A250280	484

- #L22b TEFC to air-over service. Convert a motor from totally enclosed, fan cooled construction to totally enclosed, air-over service by removing fan cover and fan and cutting off the fan end shaft. The modified motor must be mounted in the air stream of the driven fan for cooling purposes.

NEMA Frame	Catalog Number	List Price
42-145T	L22B40140	263
182T-184T	L22B180	278
213T-215T	L22B210	386

- #L22c Machine to "TS" shaft dimensions. All products. Frames 284T-449T

NEMA Frame	Catalog Number	List Price
284/286T	L22C280	1,677
324/326T	L22C320	1,677
364/365T	L22C360	1,817
404/405T	L22C400	2,029
444-449T	L22C440	2,029

L23 Tachometer Mounting Provisions – DC Motors - LEESON Motors Only

Five Days

- #L23a Add a tachometer mounting kit to NEMA frame size Direct Current motors. See page 323 for availability of tachometer mounting kits. Does not include tachometer.

NEMA Frame	Catalog Number	List Price
S56	L23AS56	507
SS56	L23ASS56	628
56/145T	L23A56140	651



Tach Kit Adaptor

L24 CE Marking*

Five Days

- #L24 Modify provided motor to comply with the nameplate designation, lead markings and connection diagrams required by the IEC34 motor specification. Modification includes a nameplate with the CE logo or a separate CE decal and a CE Declaration of Conformity document. Not available on DC motors below 75 V.D.C. **LEESON Motors Only**

Catalog Number	List Price
L24	244



- #L24b CE Marking Kit - Includes new nameplate only with data in IEC34 format, lead markers for IEC lead designations, a connection diagram, and a CE Declaration of Conformity document. The nameplate will have the CE logo, or a CE decal will be provided. **LEESON Motors Only** UL will not be stamped on nameplate - Must provide motors date code.
Add \$1 (net) for each additional aluminum or mylar nameplate.
Add \$2 (net) for each additional stainless steel nameplate.

Catalog Number	List Price
L24B	147

* Explosion proof motors cannot be built or modified to meet CE.

Mods / Factory Options

L25 Micro Series Inverter – Remote Keypad Option – LEESON® Motors Only

Two Days

#L25 A remote keypad for Micro Series inverters is available only as a factory installed option. The keypad is mounted in a gasketed steel faceplate that must be mounted in an enclosure for protection. An inverter modified for remote operation can only be operated from the remote keypad. Price includes remote keypad, faceplate, cable and factory modification charges. See AC Control section for remote keypad kits for the Sub-Micro Series Inverters.

Description	Catalog Number	List Price
Keypad with 2.5 foot cable	L25A25	591
Keypad with 5 foot cable	L25A50	646
Keypad with 10 foot cable	L25A100	755



L27 Terminal Blocks – NEMA® Motors – LEESON Motors Only

Five Days

#L27a Add a terminal block in the conduit box of rolled steel motor from 56 to 215T-frame. Install ring terminals on the motor leads.

- Conduit box on 56-frame motors will be changed to a longer version to accommodate the terminal board
- Use with single-phase or three-phase motors with no protector
- Specify connection voltage and direction of rotation for single-phase
- Not intended for 56, 143T & 145T-frame TENV or ODP motors that have a built-in conduit box. Contact LEESON for the suitability of adding a terminal board to one of these motors
- Cannot be added to WASHGUARD® Duty motors

NEMA Frame	Catalog Number	List Price
56/143T/145T	L27A56140	285
182T/184T/S213T	L27A180	319
213T-215T	L27A210	351

#L27b Install a terminal block kit in the conduit box of a cast iron NEMA frame motor. Price includes kit. (IEC motors have a terminal block installed as standard.)

NEMA Frame	Catalog Number	List Price
180/210T	L27B180210	351
250/280T	L27B250280	414
320/360T	L27B320360	475
400/440T	L27B400440	623

L28 Dynamic Braking Board – Micro Series Drives – LEESON Motors Only

Two Days

#L28 Install Dynamic Braking board in Micro Series drive. Note: Does not include Dynamic Braking resistor, which is ordered as a separate line item. See Micro Series accessory section of catalog for resistor selection. See page 402 for Dynamic Brake kits for the Sub-Micro Series inverters.

HP Rating	Voltage	Catalog Number	List Price
1/2 - 3HP	All	L28A174184	1,141
5HP	200-230V	L28A174185	1,197
5HP	460-480V	L28A174185	1,197
5HP	550-575V	L28A174184	1,141
7 1/2HP	200-230V	L28A174192	1,125
7 1/2HP	460-480V	L28A174193	1,125
7 1/2HP	550-575V	L28A174193	1,125
10-60HP	All	L28A174192	1,125



L29 Encoder Kits – WATTSAYER® & SPEEDMASTER® Motors

Two Days

#L29a Assemble a stock Encoder Kit on a WATTSAYER motor. Price is for assembly only. Motor and kit are purchased separately. **Specify motor and kit numbers.**

Note: The assembly of an encoder kit on a WATTSAYER motor requires the removal of the external fan. The use of a Blower Fan Kit is strongly encouraged for proper cooling!

NEMA® Frame	Catalog Number	List Price
56-215T	L29A56215	305
254T-324T	L29A250320	493
360T-405T	L29A360400	557

#L29b Assemble a stock Encoder Kit on a SPEEDMASTER® motor. Includes assembly of conduit box kit ECB175926 on 215T-449T frame motors. Price is for assembly only. Motor and kits are purchased separately. **Specify motor and kit numbers.** **LEESON Motors Only**

NEMA Frame	Catalog Number	List Price
143T-215T	L29B140210	217
254T-365T	L29B250360	460
404T-449T	L29B400440	704

#L29c Available on Inverter Duty CTAC® Motors that have Model Number ending with Q10. Price is for assembly only. Encoder kit, Mounting kit and Motor sold separately. **Lincoln Only**

NEMA Frame	Catalog Number	List Price
56-215T	L29C56210	217
254T-365T	L29C250360	460
404T-445T	L29C400440	704

L30 Blower Fan Kits – WATTSAYER Motors

Two Days

#L30b Install a blower fan kit on a WATTSAYER motor. Price is for assembly only. Motor and kit are purchased separately. **Specify motor and kit numbers.** **LEESON Motors Only**

NEMA Frame	Catalog Number	List Price
56-215T	L30B56210	217
254T-326T	L30B250320	375
360T-440T	L30B360440	554

L31 Conduit Box Kits – Larger Size – Lincoln Only

#L31a Install larger size conduit box. AF, MD, SD and SF Model Numbers, S and H Efficiency Codes

NEMA Frame	Catalog Number	List Price
213T-215T	L31A213215	187
254T-256T	L31A254256	209
284T-286T	L31A284286	226
324T-326T	L31A324326	257
364T-365T	L31A364365	300
404T-405T	L31A404405	393

#L31b Install larger size conduit box. AF, MD, SD and SF Model Numbers, S and H Efficiency Codes

NEMA Frame	Catalog Number	List Price
143T-184T	L31B143184	171
213T-215T	L31B213215	187
254T-256T	L31B254256	209
284T-286T	L31B284286	226
324T-326T	L31B324326	257
364T-365T	L31B364365	300
404T-405T	L31B404405	393
444T-445T	L31B444449	550

L32 Shaft Grounding Rings – “48” to 182T Frame

Two Days

#L32a Add shaft grounding rings to LEESON cast iron WATTSAYER® motors. Cost includes kit and installation costs. Motors sold separately.

Not available on 182T, 184T, 213T and 215T ODP WATTSAYER motors.

NEW!

NEMA Frame	Motor Poles	Catalog Number	List Price
182-4T	2-4	L32A180	319
213-5T	2-4-6	L32A210	343
254-6T	2-4-6	L32A250	452
284-6T/TS	2-4-6	L32A280	493
324-6T/TS	2-4-6	L32A320	539
364-5T/TS	2-4-6	L32A360	579
404-5T/TS	2-4-6	L32A400	630
444-5T	4-6	L32A440	834
447-9T	4-6	L32A447449	863



CUSTOMIZED AND MODIFIED PRODUCTS

CUSTOM MOTORS, GEARBOXES & GEARMOTORS

LEESON is a leading designer and manufacturer of application-specific AC and DC motors and gearmotors in sub-fractional, fractional and integral horsepower sizes. We offer a database of over 30,000 custom designs, experienced application and design engineering teams, to ensure the best, most cost-effective custom motor solution.

CUSTOM MULTI-SPEED & LOW-SPEED MOTORS

LEESON's PDQ Modular Production Program utilizes specially designed and standard components to make almost any imaginable NEMA® frame multi-speed or low-speed motor available when you need it. We pride ourselves on fast turnaround times on highly customized motors.

Custom motors include two, three and four-speed motors and speed ranges of 900, 720, 600, 450 and 300 RPMs. We also specialize in non-standard shaft designs.

For quotations, availability and application assistance, contact your local LEESON Sales office.



Below is a listing of a few of our Factory “Build-up” options. Please contact our local Sales office for more information.

ADDITIONAL LEAD LENGTH	GROUND PROVISIONS
HIGH ALTITUDE	HARDWARE
AMBIENT	HIGH INERTIA LOAD
CONDUIT BOXES	INSULATION
BALANCE	LEADS
BEARINGS	LUBRICATION
ROLLER BEARINGS	MARINE DUTY
INSULATED BEARINGS	NAMEPLATES
BLOWER TYPES	PAINT
BRAKES	SCREENS
CONNECTIONS / CORDS	SEALS & SLINGERS
WYE DELTA	SEVERE DUTY
PART WIND START	SERVICE FACTOR
DOCUMENTATION - SUBMITTAL DATA	SHAFTS
DOWELING	SPACE HEATERS
DRAINS	TACHOMETERS - SEE ENCODERS
ENCODERS	TACONITE DUTY - SEE INPRO SEALS
END TURN BRACING	TERMINAL BLOCKS / STRIPS
END BRACKETS - FACES & FLANGES	TESTS
FREQUENCY - Other than 60Hz	THERMAL PROTECTION
GREASE FITTINGS	VERTICAL MODIFICATION
GREASE: LOW TEMP	VIBRATION DETECTOR
GREASE: HIGH TEMP	VOLTAGE - SPECIAL

Cross Reference

Baldor to LEESON® and Lincoln Motors

Gearmotors

AC / DC Controls

Accessories / Kits

Mods / Factory Options

X-Ref / Index

Tech Information

Warnings/Cautions

Competitor Catalog #	LEESON Catalog #	Exception Code(s) To LEESON	Lincoln Catalog #
1309-50	113903.00		
AFL3520A	111332.00		
AFL3521A	111333.00		
AFL3522A	120374.00		
AFL3523A	120375.00		
AFL3524A	120376.00		
AFL3525A	111949.00		
AFM3528	111334.00		
AFM3529	111335.00		
AFM3530	120377.00		
AFM3532	120379.00		
ANFL3501M	101435.00		LM24462
ANFL3504M	101436.00		LM24463
ANFL3507M	101437.00		LM24812
ANFL3510M	113302.00		LM24813
ANFL3514M	113301.00		LM24814
Baldor	096068.00		
BM3108	114162.00		
BM3112	114163.00		
BM3116	114164.00		
BM3154T	G120370.00		
BM3157T	G120371.00		
BM3248T	G131627.00		
BM3538	114150.00		
BM3539	114149.00		
BM3542	114147.00		
BM3543	114148.00		
BM3546	114146.00		
BM3546T	G121679.00		
BM3554	116767.00		
BM3554T	G120329.00		
BM3556T	G121050.00		
BM3558T	G120330.00		
BM3569	114151.00		
BM3611T	G131613.00		
BM3614T	G131620.00		
BM3615T	G131614.00		
BM3704T	G140601.00		
BM3710T	G140603.00		
BM3714T	G140636.00		
BM3730T	G140603.00		
CBM3546T	G121557.00		
CBM3554T	G121051.00		
CBM3558T	G121052.00		
CBM3611T	G131617.00		
CBM3615T	G131618.00		
CBM3710T	G140605.00		
CBM3714T	G140639.00		
CDP3410-V12	108045.00	F02	
CDP3420-V12	108046.00	F02	
CDP3420-V24	108050.00	F02	
CDP3430-V12	108047.00		
CDP3430-V24	108051.00	F02	
CDP3436	108019.00	F02	
CDP3440-V12	108048.00	F02	
CDP3440-V24	108052.00	F02	
CDP3443	108016.00	F02	
CDP3445	108022.00	F02	
CDP3445-V12	108322.00	F02	

Competitor Catalog #	LEESON Catalog #	Exception Code(s) To LEESON	Lincoln Catalog #
CDP3445-V24	108053.00	F02	
CDP3450	108020.00	F02	
CDP3455	108023.00	F02	
CDP3455	128023.00		
CDP3460	108021.00	F02	
CDP3575	108092.00	F02	
CDP3575	128000.00		
CDP3580	108265.00	F02	
CDP3585	128010.00		
CDP3604	108502.00		
CDPSWD3410	109065.00		
CDPSWD3426	109070.00		
CDPSWD3430	109069.00		
CDPSWD3545	109075.00		
CDPSWD3555	109076.00		
CDPWD3310	108423.00	F02	
CDPWD3320	108424.00	F02	
CDPWD3326	108227.00	F02	
CDPWD3330	108226.00	F02	
CDPWD3440	108228.00		
CDPWD3445	108230.00	F02	
CDPWD3455	108231.00	F02	
CDPWD3575	108232.00	F02	
CDPX3420	118015.00	F02	
CDPX3426	118017.00	F02	
CDPX3430	118016.00	F02	
CDPX3436	118019.00	F02	
CDPX3440	118018.00	F02	
CECP83769T4	811550.00		
CEM2333T	171587.60		LM16762
CEM2333T	199060.00		
CEM2334T	171589.60		LM62032
CEM2334T	199062.00		
CEM2394T	171586.60		LM16761
CEM2394T	199059.00		
CEM2513T	199743.00		
CEM2514T	199744.00		
CEM2515T	199745.00		
CEM2516T	199746.00		
CEM2531T	199747.00		
CEM2535T	199749.00		
CEM2539T	199751.00		
CEM2547T	199755.00		
CEM2551T	199816.00		
CEM2555T	199759.00		
CEM3116T	121935.00		LM32762
CEM3154T	121675.00		
CEM3157T	121676.00		LM32768
CEM3158T	121928.00		
CEM3211T	132081.00		LM32771
CEM3211T	199735.00		
CEM3212T	132242.00		LM32773
CEM3212T	199736.00		
CEM3218T	132082.00		LM32774
CEM3218T	199737.00		
CEM3219T	132244.00		LM32776
CEM3219T	199738.00		
CEM3311T	140767.00		LM32666
CEM3311T	199739.00		
CEM3312T	141111.00		LM32778
CEM3312T	199740.00		
CEM3313T	140768.00		LM32649
CEM3313T	199741.00		
CEM3314T	141119.00		
CEM3314T	199742.00		
CEM3543T	199753.00		
CEM3546	116745.00		
CEM3546T	121179.00		LM32822
CEM3550T	121672.00		LM32824
CEM3554	116746.00		

Cross Reference Exception Codes

LEESON Product Construction Exceptions

- C10 LEESON motor is capacitor start/induction run design
- C15 LEESON motor is premium efficiency design
- C47 LEESON motor is 208-230/460V
- C55 LEESON motor has a solid-state switch

LEESON Product Frame Size Exceptions

- F02 LEESON frame size is S56
- F29 LEESON frame size is 56HC

This information is furnished as a guide only. Always check specific motor to determine suitability for direct replacement



Cross Reference

Baldor to LEESON® and Lincoln Motors

Competitor Catalog #	LEESON Catalog #	Exception Code(s) To LEESON	Lincoln Catalog #
CEM3554T	121180.00		LM32825
CEM3555T	121673.00		LM32828
CEM3558	116747.00		
CEM3558T	121181.00		LM32829
CEM3559T	121929.00		
CEM3610T	132079.00		LM16741
CEM3611T	131504.00		LM16742
CEM3613T	132080.00		LM16745
CEM3615T	131502.00		LM16747
CEM3660T	171564.60		LM16741
CEM3660T	199051.00		
CEM3661T	171565.60		LM16742
CEM3661T	199052.00		
CEM3663T	171446.60		LM16745
CEM3663T	199053.00		
CEM3664T	132243.00		LM32830
CEM3665T	171566.60		LM62020
CEM3665T	199054.00		
CEM3704T	140834.00		LM32833
CEM3709T	140770.00		LM16750
CEM3710T	140521.00		LM32838
CEM3714T	140522.00		LM32841
CEM3768T	171116.60		LM32835
CEM3769T	170166.60		LM16750
CEM3769T	199055.00		
CEM3770T	170165.60		
CEM3770T	199056.00		
CEM37711T	170168.60		LM62025
CEM37711T	199057.00		
CEM4103T	171591.60		LM62035
CEM4103T	199064.00		
CEM4104T	171592.60		LM16744
CEM4104T	199066.00		
CEM4106T	171588.60		LM62031
CEM4106T	199061.00		
CEM4107T	171590.60		LM32659
CEM4107T	199063.00		
CEM4108T	170108.60		LM16773
CEM4108T	199065.00		
CEM4109T	170110.60		LM13725
CEM4109T	199067.00		
CEM4110T	171593.60		LM62041
CEM4110T	199068.00		
CEM4114T	170112.60		LM13727
CEM4114T	199069.00		
CEM4115T	171594.60		LM62044
CEM4115T	199070.00		
CEM4198T	171591.60		LM62035
CEM4310T	170114.60		LM15562
CEM4310T	199071.00		
CEM4313T	171115.60		LM15566
CEM4313T	199073.00		
CEM4314T	171595.60		LM62047
CEM4314T	199072.00		
CEM4316T	171596.60		LM15567
CEM4316T	199074.00		
CEM4400T	171597.60		LM15263
CEM4400T	199076.00		
CEM7053T	825076.00		
CEM7054T	825077.00		
CEM7058T	825081.00		
CEM7059T	825078.00		
CEM7060T	825082.00		
CEM7062T	825083.00		
CEM7063T	825080.00		
CEM7064T	825084.00		
CEM7170T	825075.00		
CEM7174T	825074.00		
CESSWDM3550T	121874.00	F02	
CESSWDM3554T	121873.00		

Competitor Catalog #	LEESON Catalog #	Exception Code(s) To LEESON	Lincoln Catalog #
CESSWDM3558T	121877.00		
CESSWDM3559T	121878.00		
CESSWDM3613T	132207.00		
CESSWDM3615T	132208.00		
CESSWDM3709T	140825.00		
CESSWDM3710T	140826.00		
CESSWDM3711T	140827.00		
CESSWDM3714T	140828.00		
CESWDM35554T	121912.00		
CESWDM35558T	121913.00		
CEWDBM3615T	G121618.00		
CEWDM3546T	121867.00		
CEWDM3558T	121868.00		
CEWDM3559T	121870.00		
CEWDM3611T	132198.00		
CEWDM3613T	132200.00		
CEWDM3615T	132201.00		
CEWDM3709T	141120.00		
CEWDM3710T	140822.00		
CEWDM3711T	140823.00		
CEWDM3714T	140821.00		
CFDL3501M	116485.00		
CFDL3504M	116486.00		
CFDL3507M	116487.00		
CFDL3516TM	121625.00		
CFM3156A	111147.00		
CFM3166A	111148.00		
CHC144A	100803.00		LM2447
CHC164A	100824.00		LM24442
CHC244A	100804.00		LM24448
CHC264A	100825.00		LM24443
CHC3413A	100803.00		LM2447
CHC3414A	100824.00		LM24442
CHC3416A	100804.00		LM24448
CHC3417A	100825.00		LM24443
CHC345A	111323.00		
CHC3524A	101645.00		LM24444
CHC3524A	111323.00		
CHC3525A	111321.00		
CHC3526A	111919.00		
CHC3528A	111322.00		
CHC364A	101645.00		LM24444
CHC365A	111321.00		
CHC445A	111324.00		
CHC465A	111266.00		
CHC545A	111267.00		
CJL3504A	113637.00		
CJL3507A	113638.00		
CJM3107	102199.00		
CJM3111	101776.00		
CJM3115	101775.00		
CJM3120	114203.00		
CJM3155	114202.00		
CJM3158	114201.00		
CJM3542	113028.00		
CL1301	103023.00		
CL1303	103024.00		
CL1304	101651.00		LM24697
CL1307	101650.00		LM24699
CL1310	113930.00		LM24700
CL1408TM	131629.00		
CL1408TM	131853.00		
CL1410TM	131630.00		
CL1430TM	131630.00		
CL3403	102916.00	F02	LM24723
CL3405	102929.00	F02	LM24724
CL3501	102930.00	F02	LM24600
CL3503	102903.00		LM24725
CL3504	102907.00		LM24628
CL3506	112135.00		LM24726

Gearmotors

AC / DC Controls

Accessories / Kits

Mods / Factory Options

X-Ref / Index

Tech Information

Warnings/Cautions



Cross Reference

Baldor to LEESON® and Lincoln Motors

Gearmotors

AC / DC Controls

Accessories / Kits

Mods / Factory Options

X-Ref / Index

Tech Information

Warnings/Cautions

Competitor Catalog #	LEESON Catalog #	Exception Code(s) To LEESON	Lincoln Catalog #
CL3507	110905.00		LM24615
CL3509	110180.00		LM24727
CL3510	110908.00		LM24616
CL3513	110909.00		LM24539
CL3514	110910.00		LM24728
CL3515	113931.00		LM24729
CL3515T	121008.00		LM24730
CL3612TM	131633.00		
CL3619TM	131631.00		
CL3711T	140695.00		
CL5001A	116606.00		
CM2333T	G150102.60		
CM2334T	G150080.60		
CM3104	100599.00	F02	LM24277
CM3107	100600.00	F02	LM24879
CM3108	100601.00	F02	LM24880
CM3112	100602.00		LM24267
CM3116T	G121650.00		
CM3154T	121674.00		
CM3154T	G121651.00		
CM3155	114218.00		
CM3157T	G120275.00		
CM3211T	G130325.00		
CM3212T	G131249.00		
CM3218T	G130327.00		
CM3219T	G131250.00		
CM3311T	G140589.00		
CM3312T	G140692.00		
CM3313T	G140146.00		
CM3314T	G140693.00		
CM3534	102922.00		LM24114
CM3537	114142.00		LM24129
CM3538	102917.00		LM24074
CM3539	110914.00		LM24104
CM3541	110915.00		LM24134
CM3542	110916.00		LM24076
CM3543	116340.00		LM24140
CM3545	110181.00		LM24126
CM3546	110912.00		LM24079
CM3546T	121936.00		
CM3550	110917.00		LM24135
CM3550T	G121290.00		
CM3554	110918.00		LM24095
CM3554T	G121287.00		
CM3555	113927.00		LM24121
CM3555T	G121510.00		
CM3556T	G120428.00		
CM3557	114198.00		
CM3558T	G120276.00		
CM3559T	G120991.00		
CM3607T	116592.00		
CM3610T	G131899.00		
CM3611T	G130326.00		
CM3614T	G131497.00		
CM3615T	G130328.00		
CM3616T	G130990.00		
CM3660T	G151564.60		
CM3661T	G151565.60		
CM3663T	G151446.60		
CM3665T	G151566.60		

Cross Reference Exception Codes

LEESON Product Construction Exceptions

- C10 LEESON motor is capacitor start/induction run design
- C15 LEESON motor is premium efficiency design
- C47 LEESON motor is 208-230/460V
- C55 LEESON motor has a solid-state switch

LEESON Product Frame Size Exceptions

- F02 LEESON frame size is S56
- F29 LEESON frame size is 56HC

This information is furnished as a guide only. Always check specific motor to determine suitability for direct replacement

Competitor Catalog #	LEESON Catalog #	Exception Code(s) To LEESON	Lincoln Catalog #
CM3704T	G140602.00		
CM3708T	G140482.00		
CM3709T	G131774.00		
CM3710T	G140183.00		
CM3711T	G140696.00		
CM3714T	G140147.00		
CM3769T	G150166.60		
CM3770T	G150165.60		
CM3771T	G150168.60		
CM3773T	G140697.00		
CM3774T	170167.60	C15	LM62026
CM3774T	199058.00		
CM3774T	G150167.60		LM62026
CM4103T	G150081.60		
CM4104T	G150082.60		
CM4106T	G150079.60		
CM4107T	G150106.60		
CM4108T	G150108.60		
CM4109T	G150110.60		
CM4110T	G150083.60		
CM4114T	G150112.60		
CM4115T	G150084.60		
CM4310T	G150114.60		
CM4313T	G150115.60		
CM4314T	G150085.60		
CM4316T	G150086.60		
CM4400T	G151680.60		
CM7006A	114628.00		
CM7009A	114629.00		
CM7010A	114630.00		
CM7013	114631.00		
CM7014T	G121541.00		
CM7037T	G121182.00		
CM7053T	G850591.00		
CM7054T	G850621.00		
CM7056T	G850622.00		
CM7058T	G850623.00		
CM7059T	G850592.00		
CM7060T	G850624.00		
CM7062T	G850625.00		
CM7063T	G850593.00		
CM7064T	G850626.00		
CM7170T	G850620.00		
CM7174T	G850590.00		
CNM3538	102919.00	F02	
CP4400T-4	LM32896		
CP4402T	LM14644		
CP4406T-4	LM32902		
CP4407T-4	LM32905		
CP4408T-4	LM14643		
CP4410T-4	LM32899		
CP44256T-4	LM15723		
CP44304T	LM14642		
CP44354T-4	LM14645		
CSSEWDM3537	117118.00		
CSSEWDM3538	117119.00		
CSSEWDM3541	117120.00		
CSSEWDM3542	117121.00		
CSSEWDM3544	117296.00		
CSSEWDM3545	117122.00		
CSSEWDM3546	117123.00		
CSSEWDM3550T	121879.00		
CSSEWDM3550T	121908.00		
CSSEWDM3554T	121880.00		
CSSEWDM3554T	121909.00		
CSSEWDM3555T	121881.00		
CSSEWDM3555T	121910.00		
CSSEWDM3558T	117299.00		
CSSEWDM3558T	121882.00		
CSSEWDM3558T	121911.00		



Cross Reference

Baldor to LEESON® and Lincoln Motors

Competitor Catalog #	LEESON Catalog #	Exception Code(s) To LEESON	Lincoln Catalog #
CSSSWDM3537	117118.00		
CSSSWDM3538	117119.00		
CSSSWDM3541	117120.00		
CSSSWDM3542	117121.00		
CSSSWDM3544	117296.00		
CSSSWDM3545	117122.00		
CSSSWDM3546	117123.00		
CSSSWDM3550T	121879.00		
CSSSWDM3550T	G121748.00		
CSSSWDM3554T	121880.00		
CSSSWDM3554T	G121749.00		
CSSSWDM3555T	121881.00		
CSSSWDM3555T	G121739.00		
CSSSWDM3558T	117299.00		
CSSSWDM3558T	121882.00		
CSSSWDM3558T	G121740.00		
CSSWDM3538	103387.00	F02	
CSSWDM3538	103411.00	F02	
CSSWDM3542	103388.00	F02	
CSSWDM3542	103412.00	F02	
CSSWDM3555T	G121812.00		
CSSWDM3559T	G121528.00		
CSSWDM3611T	G131900.00		
CSSWDM3613T	G131901.00		
CSSWDM3615T	G131902.00		
CSSWDM3709T	G140698.00		
CSSWDM3710T	G140675.00		
CSSWDM3711T	G140699.00		
CSSWDM3714T	G140676.00		
CSSWDM3554T	121875.00		
CSWDM3537	114560.00		
CSWDM3538	191204.00		
CSWDM3542	114561.00		
CSWDM3542	191207.00		
CSWDM3546	114562.00		
CSWDM3546	191291.00		
CSWDM3546T	121165.00		
CSWDM3558T	G191224.00		
CWDL3504	112527.00	C55	
CWDL3507	112528.00	C55	
CWDL3509	113583.00	C55	
CWDL3510	112529.00	C55	
CWDL3513	113584.00	C55	
CWDL3514	113300.00	C55 F29	
CWDM3537	113588.00		
CWDM3538	113586.00		
CWDM3539	115743.00		
CWDM3541	113589.00		
CWDM3542	113587.00		
CWDM3545	113590.00		
CWDM3554T	121871.00		
CWDM3558	112644.00		
CWDM3558T	121868.00		
CWDM3558T	G120588.00		
CWDM3559T	G120911.00		
CWDM3611T	G130664.00		
CWDM3613T	G131167.00		
CWDM3615T	G131171.00		
CWDM3616T	132199.00		
CWDM3616T	G132016.00		
CWDM3709T	G131165.00		
CWDM3710T	G140466.00		
CWDM3711T	G140700.00		
CWDM3713T	G140701.00		
CWDM3714T	G140464.00		
CWSSWDM3610T	132206.00		
DGC1301M	191742.00		
DGC1304M	100802.00		
DGC1307M	113642.00		
ECP2276T	171636.60		

Competitor Catalog #	LEESON Catalog #	Exception Code(s) To LEESON	Lincoln Catalog #
ECP2276T	LM16656		
ECP2276T-4	199011.00		
ECP2294T	171620.60		
ECP2332T	171637.60		
ECP2332T-4	199014.00		
ECP2333T	171632.60		
ECP2333T	LM32873		
ECP2333T-4	199016.00		
ECP2334T	171633.60		
ECP2334T	LM32876		
ECP2334T-4	199019.00		
ECP2394T-4	199015.00		
ECP3581T	LM32856		
ECP3582T	LM32587		
ECP3661T	171623.60		
ECP3661T	LM16644		
ECP3661T-4	199004.00		
ECP3663T	LM32864		
ECP3664T	171634.60		
ECP3665T	171630.60		
ECP3665T	LM16650		
ECP3665T-4	171630.60		
ECP3764T	171634.60		
ECP3764T-4	199005.00		
ECP3768T	171635.60		
ECP3768T	LM32867		
ECP3768T-4	199008.00		
ECP3769T	171616.60		
ECP3769T-4	199009.00		
ECP3770T	171622.60		
ECP3770T	LM32869		
ECP3770T-4	199010.00		
ECP3771T	171617.60		
ECP3771T-4	199012.00		
ECP3774T	171631.60		
ECP3774T	LM16919		
ECP3774T-4	199013.00		
ECP4100T	171638.60		
ECP4100T	LM32874		
ECP4100T-4	199017.00		
ECP4102T	171639.60		
ECP4102T	LM32877		
ECP4102T-4	199020.00		
ECP4103T	171779.60		
ECP4103T	LM32879		
ECP4103T-4	199022.00		
ECP4104T	171782.60		
ECP4104T	LM32882		
ECP4104T-4	199025.00		
ECP4106T	171621.60		
ECP4106T-4	199018.00		
ECP4107T-4	199021.00		
ECP4108T	171781.60		
ECP4108T-4	199024.00		
ECP4109T	171784.60		
ECP4109T-4	199027.00		
ECP4110T	171785.60		
ECP4110T-4	199028.00		
ECP4111T	171780.60		
ECP4111T-4	199023.00		
ECP4114T	LM32685		
ECP4114T-4	199030.00		
ECP4115T	171788.60		
ECP4115T	LM32887		
ECP4115T-4	199031.00		
ECP4117T	171783.60		
ECP4117T-4	199026.00		
ECP4308T	171786.60		
ECP4308T-4	199029.00		
ECP4310T	171790.60		

Gearmotors

AC / DC Controls

Accessories / Kits

Mods / Factory Options

X-Ref / Index

Tech Information

Warnings/Cautions



Cross Reference

Baldor to LEESON® and Lincoln Motors

Gearmotors

AC / DC Controls

Accessories / Kits

Mods / Factory Options

X-Ref / Index

Tech Information

Warnings/Cautions

Competitor Catalog #	LEESON Catalog #	Exception Code(s) To LEESON	Lincoln Catalog #
----------------------	------------------	-----------------------------	-------------------

ECP4310T-4	199033.00		
ECP4312T	171789.60		
ECP4312T	LM32888		
ECP4312T-4	199032.00		
ECP4313T	171793.60		
ECP4313T-4	199036.00		
ECP4314T	171791.60		
ECP4314T-4	199034.00		
ECP4316T	171794.60		
ECP4316T	LM32893		
ECP4316T-4	199037.00		
ECP4400T-4	199040.00		
ECP4402T	171796.60		
ECP4402T	LM32895		
ECP4402T-4	199039.00		
ECP4403T	171792.60		
ECP4403T-4	199035.00		
ECP4404T	171795.60		
ECP4404T-4	199038.00		
ECP4406T-4	171803.60		LM13707
ECP4406T-4	199046.00		
ECP4407T-4	171806.60		LM16230
ECP4407T-4	199049.00		
ECP4409T-4	171798.60		LM13702
ECP4409T-4	199041.00		
ECP4410T-4	171800.60		LM60065
ECP4410T-4	199043.00		
ECP4411T-4	171801.60		LM13705
ECP4411T-4	199044.00		
ECP4412T-4	171799.60		
ECP4413T-4	171802.60		
ECP44156T-4	171804.60		LM16231
ECP4416T-4	171805.60		
ECP44206T-4	171807.60		LM60072
ECP44206T-4	199050.00		
ECP64314T-4	811567.00		
ECP82333T-4	811555.00		
ECP82334T-4	811557.00		
ECP82394T-4	811554.00		
ECP83581T-4	811541.00		
ECP83583t-4	811542.00		
ECP83584T-4	811543.00		
ECP83586T-4	811544.00		
ECP83587T-4	811545.00		
ECP83660T	811546.00		
ECP83661T	811547.00		
ECP83663T	811548.00		
ECP83665T-4	811549.00		
ECP83769T-4	811550.00		
ECP83770T-4	811551.00		
ECP83774T-4	811553.00		
ECP8377IT-4	811552.00		
ECP84103T-4	811559.00		
ECP84104T-4	811561.00		
ECP84106T-4	811556.00		
ECP84107T-4	811558.00		
ECP84108T-4	811560.00		
ECP84109T-4	811562.00		
ECP84110T-4	811563.00		
ECP84114-T	811564.00		
ECP84115T-4	811564.00		

Cross Reference Exception Codes

LEESON Product Construction Exceptions

C10 LEESON motor is capacitor start/induction run design

C15 LEESON motor is premium efficiency design

C47 LEESON motor is 208-230/460V

C55 LEESON motor has a solid-state switch

LEESON Product Frame Size Exceptions

F02 LEESON frame size is S56

F29 LEESON frame size is 56HC

This information is furnished as a guide only.

Always check specific motor to determine

suitability for direct replacement

Competitor Catalog #	LEESON Catalog #	Exception Code(s) To LEESON	Lincoln Catalog #
----------------------	------------------	-----------------------------	-------------------

ECP84310T-4	811566.00		
ECP84313T-4	811568.00		
ECP84400T-4	811571.00		
ECP84402T-4	811570.00		
ECP94316T-4	811569.00		
EFM2513T	199699.00		
EFM2515T	199702.00		
EFM2531T	199705.00		
EFM2535T	199708.00		
EFM2539T	199711.00		
EFM2543T	199714.00		
EFM2547T	199717.00		
EFM3211T	G131240.00		LM60026
EFM3218T	199007.00		
EFM3218T	G131239.00		LM24195
EFM3311T	199693.00		
EFM3311T	G140609.00		
EFM3313T	199696.00		
EJMM2333T	199976.00		
EJMM2334T	199978.00		
EJMM2394T	199975.00		
EJMM2513T	199964.00		
EJMM2514T	199965.00		
EJMM2534T	199969.00		
EJMM2535T	199970.00		
EJMM2538T	199971.00		
EJMM2539T	199972.00		
EJMM2542T	199973.00		
EJMM2543T	199974.00		
EJMM3116T	122115.00		
EJMM3211T	199589.00		
EJMM3212T	199763.00		
EJMM3218T	199590.00		
EJMM3219T	199765.00		
EJMM3311T	199775.00		
EJMM3312T	199090.00		
EJMM3313T	199777.00		
EJMM3314T	199091.00		
EJMM3546T	122083.00		
EJMM3550T	122085.00		
EJMM3554T	122087.00		
EJMM3555T	122089.00		
EJMM3558T	122091.00		
EJMM3559T	199766.00		
EJMM3611T	199767.00		
EJMM3613T	199768.00		
EJMM3615T	199769.00		
EJMM3616T	199769.00		
EJMM3616T	199779.00		
EJMM3709T	199780.00		
EJMM3711T	199781.00		
EJMM3714T	199782.00		
EJMM4103T	199980.00		
EJMM4104T	199982.00		
EJMM4106T	199977.00		
EJMM4107T	199979.00		
EJMM4108T	199981.00		
EJMM4109T	199983.00		
EJMM4110T	199984.00		
EJMM4114T	199985.00		
EJMM4115T	194127.00		
EJMM4115T	199986.00		
EJPM2334T	194119.00		
EJPM2394T	199998.00		
EJPM2513T	199987.00		
EJPM2514T	199988.00		
EJPM2515T	199989.00		
EJPM2516T	199990.00		
EJPM2531T	199991.00		
EJPM2534T	199992.00		



Cross Reference

Baldor to LEESON® and Lincoln Motors

Competitor Catalog #	LEESON Catalog #	Exception Code(s) To LEESON	Lincoln Catalog #
EJPM2535T	199993.00		
EJPM2538T	199994.00		
EJPM2539T	199995.00		
EJPM2542T	199996.00		
EJPM2543T	199997.00		
EJPM3312T	199784.00		
EJPM3313T	199785.00		
EJPM3314T	199786.00		
EJPM3714T	199789.00		
EJPM4103T	194121.00		
EJPM4104T	194123.00		
EJPM4106T	194118.00		
EJPM4107T	194120.00		
EJPM4108T	194122.00		
EJPM4109T	194124.00		
EJPM4110T	194125.00		
EJPM4114T	194126.00		
EL1307	101544.00	F02	LM24504
EL1310	113630.00		
EL1408T	131851.00		LM24680
EM2276T	170122.60		LM15892
EM2332T	170123.60		LM15675
EM2333T	170066.60		LM24208
EM2334T	170007.60		LM24207
EM2394T	170062.60		LM15890
EM2506T	199694.00		
EM2511T	199697.00		
EM2514T	199701.00		
EM2516T	199704.00		
EM2524T	199700.00		
EM2528T	199703.00		
EM2532T	199706.00		
EM2534T	199707.00		
EM2536T	199709.00		
EM2538T	199710.00		
EM2540T	170147.60		LM13924
EM2540T	199712.00		
EM2542T	199713.00		
EM2544T	170148.60		LM13927
EM2544T	199715.00		
EM2546T	199716.00		
EM2548T	199718.00		
EM2549T	199719.00		
EM2550T	199722.00		
EM2551T	199720.00		
EM2552T	199721.00		
EM2554T-4	199725.00		
EM2555T	199723.00		
EM2556T-4	199728.00		
EM2557T-4	170155.60	C47	LM13946
EM2557T-4	170259.60		LM13946
EM2557T-4	199727.00		
EM2558T-4	171522.60		LM13817
EM2558T-4	199729.00		
EM2560T-4	171576.60		LM13818
EM2560T-4	199730.00		
EM2562T-4	171573.60		LM13819
EM2562T-4	199731.00		
EM2563T-4	171523.60		LM13820
EM2563T-4	199732.00		
EM2564T-4	171577.60		LM16239
EM2564T-4	199733.00		
EM2583T-4	170255.60		LM13815
EM2583T-4	199724.00		
EM3115	116128.00		
EM3116T	121003.00		LM24871
EM3120T	121514.00		LM32727
EM3154T	121004.00		LM24875
EM3155T	121515.00		LM33137
EM3156T	121517.00		LM24872

Competitor Catalog #	LEESON Catalog #	Exception Code(s) To LEESON	Lincoln Catalog #
EM3157T	121005.00		LM24169
EM3158T	121516.00		LM32731
EM3207T	131971.00		
EM3207T	199685.00		
EM3211T	131519.00		LM24222
EM3211T	199687.00		
EM3212T	199689.00		
EM3215T	131972.00		
EM3218T	131520.00		LM24202
EM3218T	199690.00		
EM3219T	131988.00		LM32737
EM3219T	199692.00		
EM321IT-8	LM33056		
EM3305T	199688.00		
EM3309T	199691.00		
EM3311T	140470.00		LM24194
EM3312T	140753.00		LM32740
EM3313T	140472.00		LM24193
EM3314T	140754.00		LM32743
EM3314T	199698.00		
EM3545	116129.00		
EM3546	116757.00		
EM3546T	120921.00		LM32796
EM3546T-5	120122.00		
EM3546T-5	121937.00		
EM3550	116758.00		
EM3550T	121518.00		LM33122
EM3550T-5	121939.00		LM25102
EM3554	116759.00		
EM3554T	120922.00		LM33123
EM3554T-5	121940.00		LM24142
EM3555	116760.00		
EM3555T	121519.00		LM33124
EM3555T-5	121941.00		LM25103
EM3556T	121520.00		LM33121
EM3556T-5	121938.00		
EM3558T	120923.00		LM33125
EM3581T	171640.60		LM32796
EM3582T	171643.60		LM33121
EM3583T	171642.60		
EM3584T	171646.60		LM33123
EM3586T	171648.60		LM33124
EM3587T	171647.60		LM33125
EM3607T-5	132251.00		LM17059
EM3610T	131985.00		LM15646
EM3610T	199003.00		
EM3611T	131463.00		LM32741
EM3611T-5	132253.00		LM16384
EM3613T	131987.00		LM15649
EM3613T	199006.00		
EM3613T-5	132254.00		LM16386
EM3614T	131981.00		
EM3614T	199002.00		
EM3614T-5	132252.00		LM17062
EM3615T	131464.00		LM15650
EM3615T-5	132255.00		LM17067
EM3661T	171320.60		LM60026
EM3665T	171322.60		LM24195
EM3667T	199001.00		
EM3709T	140756.00		LM32804
EM3710T	140450.00		LM16029
EM3710T-5	141116.00		LM16391
EM3711T	140755.00		LM32808
EM3714T	140451.00		LM32809
EM3714T-5	170212.60		
EM3764T	171378.60		LM60027
EM3768T	171379.60		LM15883
EM3769T	170158.60		LM15878
EM3770T	170157.60		LM24209
EM3771T	170159.60		LM15861

Gearmotors

AC / DC Controls

Accessories / Kits

Mods / Factory Options

X-Ref / Index

Tech Information

Warnings/Cautions



Cross Reference

Baldor to LEESON® and Lincoln Motors

Gearmotors

AC / DC Controls

Accessories / Kits

Mods / Factory Options

X-Ref / Index

Tech Information

Warnings/Cautions

Competitor Catalog #	LEESON Catalog #	Exception Code(s) To LEESON	Lincoln Catalog #
EM3774T	170140.60		LM60036
EM4100T	170068.60		LM15793
EM4102T	170001.60		LM15796
EM4103T	170011.60		LM15792
EM4104T	170015.60		LM13964
EM4106T	170033.60		LM15673
EM4107T	170035.60		LM13960
EM4108T	170037.60		LM60046
EM4109T	170039.60		LM19749
EM4110T	170019.60		LM13699
EM4111T	170003.60		LM13696
EM4114T	170041.60		LM60052
EM4115T	170023.60		LM19753
EM4117T	170005.60		LM60048
EM4308T	170096.60		LM13918
EM4310T	170043.60		LM14808
EM4312T	170097.60		LM19754
EM4313T	170045.60		LM14810
EM4314T	170027.60		LM14809
EM4316T	170031.60		LM14811
EM4400T	170087.60		LM19762
EM4402T-4	170160.60		LM13939
EM4403T	170098.60		LM13938
EM4404T	170099.60		LM60060
EM4406T-4	170371.60		LM13707
EM4407TR-4	170352.60		LM16230
EM4409T-4	170256.60		LM13702
EM4410T-4	170369.60		LM60065
EM4411T-4	170260.60		LM13705
EM4412T-4	171580.60		LM60064
EM4412T-4	199042.00		
EM4413T-4	171578.60		LM13706
EM4413T-4	199045.00		
EM44156T-4	171315.60		LM16231
EM4416T-4	171579.60	C15	LM16229
EM4416T-4	199048.00		
EM44206T	171316.60		LM60072
EM7037T	121917.00		
EM7053T	825092.00		
EM7054T	825093.00		
EM7056T	825095.00		
EM7058T	825097.00		
EM7059T	825094.00		
EM7060T	825099.00		
EM7062T	825101.00		
EM7063T	825096.00		
EM7064T	825103.00		
EM7066T	825105.00		
EM7067T	825100.00		
EM7068T	825107.00		
EM7075T	121918.00		
EM7081T	825102.00		
EM7083T	825098.00		
EM7142T	825085.00		
EM7144T	825087.00		
EM7145T	825088.00		
EM7147T	825089.00		
EM7170T	825091.00		
EM7172T	825086.00		
EM7174T	825090.00		

Cross Reference Exception Codes

LEESON Product Construction Exceptions

- C10 LEESON motor is capacitor start/induction run design
- C15 LEESON motor is premium efficiency design
- C47 LEESON motor is 208-230/460V
- C55 LEESON motor has a solid-state switch

LEESON Product Frame Size Exceptions

- F02 LEESON frame size is S56
- F29 LEESON frame size is 56HC

This information is furnished as a guide only. Always check specific motor to determine suitability for direct replacement

Competitor Catalog #	LEESON Catalog #	Exception Code(s) To LEESON	Lincoln Catalog #
EM74154T	825113.00		
EM74204T	825115.00		
EMM2333	193316.60		
EMM2334	193319.60		
EMM3559	192209.00		
EMM3611	193301.60		
EMM3613	193306.60		
EMM3615	193307.60		
EMM3709	193309.60		
EMM3710	193310.60		
EMM3711	193312.60		
EMM3714	193313.60		
EMM4103	193322.60		
EMM4104	193325.60		
EMM4110	193328.60		
EMM5700	192208.00		
EMM5700-5	192231.00		
EMM5750	192205.00		
EMM5750-5	192232.00		
EWDM3558T	121866.00		
EWDM3611T	132196.00		
EWDM3615T	132197.00		
EWDM3710T	140819.00		
EWDM3714T	140820.00		
FDL3501M	113256.00		LM24789
FDL3501M	M002256.00		LM24789
FDL3504M	110086.00		LM24790
FDL3504M	M009086.00		LM24790
FDL3507M	110087.00		LM24791
FDL3507M	M009087.00		LM24791
FDL3510TM	121569.00		LM24793
FDL3510TM	M009088.00		LM24793
FDL3510TM	M009089.00		LM24793
FDL3514TM	M009089.00		LM24793
FDL3516TM	110090.00		
FDL3610TM	131542.00		LM24801
FDL3611TM	131541.00		LM24796
FDL3612TM	131543.00		LM24798
FDL3619TM	131542.00		LM24801
FDL3712TM	140414.00		LM24805
FDL3731M	140203.00		LM24798
FDL3733TM	140130.00		
FDL3733TM	140707.00		LM24799
FDL3737TM	140414.00		LM24805
FDL3737TM	140706.00		
FM3211T	G131240.00		LM60026
FM3218T	G131239.00		LM24195
FM3311T	G140609.00		
FM3611T	G131237.00		
FM3615T	G131236.00		
FM3710T	G140604.00		
GDM2333T	171841.60		
GDM2334T	171842.60		
GDM3611T	171845.60		
GDM3615T	171846.60		
GDM3710T	171847.60		
GDM3714T	171848.60		
GDM4103T	171843.60		
GDM4104T	171844.60		
GLP3330	096049.00		
GLP3332	096050.00		
GLP3336	096051.00		
GMP3330	096013.00		
GMP3332	096014.00		
GMP3336	096015.00		
GMP3338	096016.00		
GPP12503	M1125004.00		
GPP12545	M1125072.00		
GPP12547	M1125070.00		
GPP231108	M1115001.00		



Cross Reference

Baldor to LEESON® and Lincoln Motors

Competitor Catalog #	LEESON Catalog #	Exception Code(s) To LEESON	Lincoln Catalog #
GPP231109	M1115002.00		
GPP232110	M1115000.00		
GPP233111	M1115028.00		
GPP233112	M1115027.00		
GPP233120	M1125048.00		
GPP233121	M1125036.00		
GPP7451	M1135116.00		
GPP7452	M1135112.00		
GPP7453	M1135111.00		
GPP7454	M1135114.00		
GPP7455	M1135110.00		
GPP7456	M1135108.00		
GPP7457	M1135117.00		
GPP7458	M1135107.00		
GPP7459	M1135106.00		
GPP7460	M1135109.00		
GPP7461	M1135115.00		
GPP7470	M1135150.00		
GPP7471	M1135149.00		
GPP7472	M1135148.00		
GPP7473	M1135147.00		
GPP7474	M1135146.00		
GPP7475	M1135145.00		
GPP7476	M1135143.00		
GPP7477	M1135141.00		
GPP7478	M1135140.00		
GPP7479	M1135139.00		
GSL3509M	111330.00		
HM3112	100030.00		LM24099
HM3116	115827.00		
HM3154	115825.00		
HM3157	115826.00		
HM3218TA	G130565.00		
IDGMP2500	096070.00		
IDGMP2501	096069.00		
IDGMP2503	096068.00		
IDGMP2505	096067.00		
IDM4102T	810001.00		
IDM4103T	810011.00		
IDM4104T	810015.00		
IDM4110T	810019.00		
IDM4115T	810023.00		
IDM4117T	810005.00		
IDM4312T	810097.00		
IDM4314T	810027.00		
IDM4316T	810031.00		
IDM4400T-4	810087.00		
IDM4404T	810099.00		
IDM4406T-4	811371.00		LM03564
IDM4407T-4	810503.00		LM3596
IDM4409T-4	811367.00		
IDM4410T-4	811369.00		LM03516
IDNM2333T	810066.00		LM06135
IDNM3581T	810548.00		LM26359
IDNM3587T	810546.00		LM06113
IDNM3661T	811320.00		LM06119
IDNM3665T	811322.00		
IM3540A	111304.00		
IR3507M	114932.00		
JL1303A	100207.00		
JL1303A	101527.00		
JL1306A	100208.00		
JL1306A	101528.00		
JL1307A	100723.00		
JL1309A	100723.00		
JL1309A	101529.00		
JL1313A	110292.00		
JL1313A	113687.00		
JL1317A	110293.00		
JL1323A	110286.00		

Competitor Catalog #	LEESON Catalog #	Exception Code(s) To LEESON	Lincoln Catalog #
JL325A	100207.00		
JL3503A	113955.00		
JL3506A	113956.00		
JL3509A	113639.00		
JL3513A	113640.00		
JL3515A	113641.00		
JL425A	100208.00		
JL5003A	116188.00		
JL5006A	116186.00		
JL5009A	116185.00		
JL5030	116183.00		
JL5031	116181.00		
JL525A	100723.00		
JL625A	110292.00		
JL725A	110293.00		
JL825A	110286.00		
JM225	102197.00		
JM3006	102197.00		
JM3107	102198.00		
JM3111	101637.00		
JM3115	101638.00		
JM3120	113891.00		
JM3155	113892.00		
JM3158	113893.00		
JM3460	114931.00		
JM3463	114208.00		
JM3545	114207.00		
JM3550	114206.00		
JM3555	114205.00		
JM3559	114204.00		
JM625	113891.00		
JML1406T	131640.00		
JML1408T	131604.00		
JML1409T	131641.00		
JML1509T	140642.00		
JML1510T	140665.00		
JML1512T	140666.00		
JMM2333T	151568.60		
JMM2334T	151570.60		
JMM2394T	151567.60		
JMM2513T	G151361.60		
JMM3116T	121850.00		
JMM3154T	121851.00		
JMM3155T	121853.00		
JMM3157T	121852.00		
JMM3158T	121854.00		
JMM3211T	131562.00		
JMM3212T	131574.00		
JMM3218T	131563.00		
JMM3219T	131576.00		
JMM3311T	140618.00		
JMM3312T	131577.00		
JMM3313T	140619.00		
JMM3314T	151380.60		
JMM3546T	121855.00		
JMM3550T	121858.00		
JMM3554T	121856.00		
JMM3555T	121859.00		
JMM3558T	121857.00		
JMM3559T	121860.00		
JMM3611T	131579.00		
JMM3613T	131580.00		
JMM3615T	131581.00		
JMM3616T	131582.00		
JMM3709T	132027.00		
JMM3710T	140622.00		
JMM3711T	131583.00		
JMM3713T	140764.00		
JMM3714T	140623.00		
JMM4103T	151418.60		

Gearmotors

AC / DC Controls

Accessories / Kits

Mods / Factory Options

X-Ref / Index

Tech Information

Warnings/Cautions



Cross Reference

Baldor to LEESON® and Lincoln Motors

Gearmotors

AC / DC Controls

Accessories / Kits

Mods / Factory Options

X-Ref / Index

Tech Information

Warnings/Cautions

Competitor Catalog #	LEESON Catalog #	Exception Code(s) To LEESON	Lincoln Catalog #
JMM4104T	151422.60		
JMM4106T	151569.60		
JMM4107T	151417.60		
JMM4108T	151420.60		
JMM4109T	151424.60		
JMM4110T	151426.60		
JMWDM3550T	121580.00		
JMWDM3555T	121582.00		
JMWDM3555T	G121582.00		
JMWDM3558T	121583.00		
JMWDM3558T	G121583.00		
JMWDM3559T	121584.00		
JMWDM3599T	G121584.00		
JMWDM3611T	131967.00		
JMWDM3611T	G131967.00	C15	
JMWDM3613T	131968.00		
JMWDM3613T	G131968.00	C15	
JMWDM3615T	131969.00		
JMWDM3615T	G131969.00		
JMWDM3616T	G131970.00		
JMWDM3710T	140733.00		
JMWDM3710T	G140733.00		
JMWDM3711T	140734.00		
JMWDM3711T	G140734.00		
JMWDM3713T	G140736.00	C15	
JMWDM3714T	G140735.00		
JPL1409T	131881.00		
JPL1509T	140646.00		
JPM2333T	G151747.60		
JPM2334T	G151749.60		
JPM2513T	801051.00		
JPM2514T	801056.00		
JPM2515T	801052.00		
JPM2515T	G801056.00		
JPM2516T	801057.00		
JPM2531T	801053.00		
JPM3154T	121846.00		
JPM3157T	121847.00		
JPM3158T	121849.00		
JPM3158T	G121849.00		
JPM3211T	131882.00		
JPM3212T	131884.00		
JPM3218T	131883.00		
JPM3218T	G131883.00		
JPM3219T	131885.00		
JPM3311T	140667.00		
JPM3312T	140655.00		
JPM3313T	140668.00		
JPM3314T	140656.00		
JPM3558T	G151737.60		
JPM3610T	G151738.60		
JPM3611T	G151739.60		
JPM3613T	G151740.60		
JPM3615T	G151741.60		
JPM3709T	G151742.60		
JPM3710T	G151743.60		
JPM3711T	G151744.60		
JPM3713T	G151746.60		
JPM3714T	G151745.60		
JPM4103T	G151751.60		

Competitor Catalog #	LEESON Catalog #	Exception Code(s) To LEESON	Lincoln Catalog #
JPM4104T	G151753.60		
JPM4106T	G151748.60		
JPM4107T	G151750.60		
JPM4108T	G151752.60		
JPM4109T	G151754.60		
JPM4110T	G151755.60		
JPM4114T	G151756.60		
JSL1303A	MST1052.00		
JSL1306A	MST1072.00		
JSL1309A	MST1102.00		
JSL1313A	MST1152.00		
JSL1317A	MST1202.00		
JSL325A	MST1052.00		
JSL425A	MST1072.00		
JSL525A	MST1102.00		
JSL625A	MST1152.00		
JSL725A	MST1202.00		
K3403	102866.00	F02	
K3405	102870.00	F02	LM24736
KBL3406	114165.00		
KBL3409	111950.00		
KBM3458	114158.00		
KL3403	102866.00		
KL3405	102870.00		LM24736
KM3003	103014.00	F02	
KM3006	100375.00	F02	LM24909
KM3454	101767.00	F02	LM24964
KM3454-50	102184.00		
KNM3454	101648.00	F02	
KNM3534	102863.00	F02	
L1203M	101423.00	...	LM24458
L1205	100336.00	F02	LM24467
L1206M	100588.00	F02	LM24550
L1208	100184.00		LM24465
L1209	100338.00		
L1209M	100004.00	F02	LM24553
L1301	100006.00		LM24570
L1301M	100588.00		LM24550
L1302	110001.00		LM24540
L1303	100337.00	F02	
L1304	100007.00	F02	LM24551
L1304A	100002.00	F02	LM24552
L1304M	100004.00	F02	LM24553
L1306	100340.00		LM24674
L1306-50	113902.00		
L1307	100008.00	F02	LM24502
L1307-50	110396.00		
L1307A	100003.00	F02	LM24503
L1307M	100005.00	F02	
L1308	110003.00	F02	LM24543
L1309	110360.00		LM24525
L1309-50	113903.00		
L1310	110004.00		LM24580
L1313-50	113904.00		
L1313T	120107.00		LM24676
L1317-50	113905.00		
L1318-50	110397.00		
L1318T	120044.00		LM24675
L1319	110005.00		LM24583
L1319-50	110398.00		
L1319M	110006.00		LM24585
L1319T	120004.00		
L1319T	120042.00		LM24583
L1320T	120106.00		LM24806
L1321TM	120004.00		
L1322T	120067.00		LM24677
L1322TM	120879.00		LM24685
L1405T	131515.00		LM24678
L1405T-50	131553.00		
L1406T	131636.00		LM24679

Cross Reference Exception Codes

LEESON Product Construction Exceptions

- C10 LEESON motor is capacitor start/induction run design
- C15 LEESON motor is premium efficiency design
- C47 LEESON motor is 208-230/460V
- C55 LEESON motor has a solid-state switch

LEESON Product Frame Size Exceptions

- F02 LEESON frame size is S56
- F29 LEESON frame size is 56HC

This information is furnished as a guide only. Always check specific motor to determine suitability for direct replacement



Cross Reference

Baldor to LEESON® and Lincoln Motors

Competitor Catalog #	LEESON Catalog #	Exception Code(s) To LEESON	Lincoln Catalog #
L1408T	131534.00		LM24680
L1408T-50	131554.00		
L1408TM	131561.00		
L1408TM	131851.00		LM24680
L1409T	131616.00		LM24681
L1410T	131537.00		LM24682
L1410TM	131622.00		
L1430T	131537.00		LM24682
L1430TM	131622.00		
L1508T-50	131555.00		
L1509T	140680.00		
L1510T	140155.00		LM24683
L1511T	140681.00		
L1512T	140311.00		LM24684
L206	100006.00		LM24570
L3351	092111.00		LM24208
L3353	092114.00		LM19754
L3355	092116.00		
L3356	092112.00		LM19754
L3400	102012.00		
L3401	102013.00		
L3403	102014.00		LM24606
L3403M	101446.00		
L3404	102015.00		
L3405	102016.00		LM24705
L3406	100955.00		
L3406M	102018.00		
L3407	102019.00		
L3408	102020.00		
L3409	100956.00		
L3500	114617.00		LM24545
L3501	102931.00		LM24597
L3501M	102933.00		LM24602
L3502	110009.00		LM24546
L3503	102905.00		LM24706
L3503-50	113917.00		
L3504	102906.00		LM24627
L3504-50	110064.00		
L3504A	102908.00		LM24603
L3504M	102909.00		LM24604
L3505	110011.00		LM24496
L3506	110276.00		LM24707
L3506-50	113918.00		
L3507	110013.00		LM24607
L3507-50	110065.00		
L3507A	110017.00		LM24608
L3507M	110022.00		
L3508	110400.00		LM24497
L3509-50	113919.00		
L3510T	120025.00		LM24709
L3510TM	120008.00		
L3513T	120130.00		LM24710
L3514	110253.00		LM24513
L3514A	110019.00		LM24514
L3514M	113333.00		LM24515
L3514T	120026.00		LM24711
L3514TM	120009.00		LM24746
L3515	110352.00		LM24534
L3515M	110402.00		LM24534
L3515T	120036.00		LM24712
L3516T	121507.00		
L3516TM	110090.00		
L3605T	131509.00		LM24713
L3605T-50	131556.00		
L3606T	131637.00		LM24715
L3608T	131549.00		LM24717
L3609T	131533.00	C10	LM24716
L3609T-50	131557.00		
L3613T	131526.00		
L3709T	140684.00		LM24719

Competitor Catalog #	LEESON Catalog #	Exception Code(s) To LEESON	Lincoln Catalog #
L3710T	140120.00		LM24720
L3711T	140685.00		LM24721
L3712T	140581.00		LM24722
M1504T	120942.00		
M1506T	131473.00		
M1508T	140446.00		
M1554T	120944.00		
M1556T	120946.00		
M1558T	131469.00		
M1559T	140443.00		
M1704T	120943.00		
M1706T	131471.00		
M1707T	131470.00		
M1708T	140445.00		
M1756T	120940.00		
M1758T	131475.00		
M1760T	140448.00		
M2276T	G150122.60		
M2280T	151355.22		
M2280T	G151355.22		
M2332T	G150123.60		
M2333T	G150066.60		
M2333T-5	LM16400		
M2333T-50	170062.60		LM15890
M2333T-8	LM32691		
M2334T-12	G150007.60		
M2334T-5	LM15919		
M2394T	G150062.60		
M2395T	150261.22		
M2401T	151356.22		
M2401T	G151356.22		
M2402T	150282.22		
M2402T	G150282.22		
M2513T	G140579.00		
M2513T-5	LM24219		
M2513T-8	LM26334		
M2515T-5	LM24232		
M2515T-8	LM32675		
M2531T-5	LM29581		
M2531T-8	LM33067		
M2535T-5	LM29865		
M2535T-8	LM32670		
M2539T-5	LM14402		
M2539T-8	LM32680		
M2543T-5	LM14405		
M2543T-8	LM33070		
M2547T-5	LM18378		
M2551T-5	LM18384		
M2555T-5	LM18298		
M2557T-4	170259.60	C15	LM13946
M2560T-4	171576.60	C15	LM13818
M2562T-4	171573.60	C15	LM13819
M2563T-4	G151523.60		
M2564T-4	171577.60	C15	LM16239
M2566T-4	151524.60		
M2566T-4	G151524.60		
M2569T-4	151525.60		
M2569T-4	G151525.60		
M2583T	170255.60	C15	LM13815
M3003	100027.00	F02	LM24866
M3006	101447.00		LM24867
M3007	100446.00		
M3104	100028.00		LM24152
M3105	110425.00		LM24868
M3107	101448.00		LM24869
M3108	100029.00		LM24098
M3109	110027.00		LM24146
M3111	101449.00		LM24870
M3112	100030.00		LM24099

Gearmotors

AC / DC Controls

Accessories / Kits

Mods / Factory Options

X-Ref / Index

Tech Information

Warnings/Cautions



Cross Reference

Baldor to LEESON® and Lincoln Motors

Gearmotors

AC / DC Controls

Accessories / Kits

Mods / Factory Options

X-Ref / Index

Tech Information

Warnings/Cautions

Competitor Catalog #	LEESON Catalog #	Exception Code(s) To LEESON	Lincoln Catalog #
M3115	110426.00		LM24155
M3116	110029.00		LM24111
M3116T	G120010.00		
M3116T-5	LM24170		
M3116T-5	LM25066		
M3116T-8	LM33053		
M3120	110429.00		LM24874
M3120T	G120103.00		
M3153	110028.00		LM24162
M3154	110430.00		LM24117
M3154	111309.00		
M3154	115825.00		
M3154A	111309.00		
M3154T	G120011.00		
M3154T-8	LM33056		
M3155	113292.00		LM24877
M3155T	G120076.00		
M3156T	G120089.00		
M3157	111310.00		
M3157	113025.00		
M3157	115826.00		
M3157T	G120012.00		
M3157T-5	LM24124		
M3157T-8	LM33057		
M3158	113293.00		LM24878
M3158T	G120077.00		
M3207T	G130010.00		
M3211T	G130000.00		
M3211T/36	G130000.00		
M3211T-5	LM24227		
M3211T-50	131519.00		LM24222
M3211T-8	LM33059		
M3211TA	G131338.00		
M3212T	G130282.00		
M3215T	G130012.00		
M3218T	G130004.00		
M3218T-5	LM25070		
M3218T-8	131500.00		
M3218TA	G130565.00		
M3219T	G130284.00		
M3305T	G140550.00		
M3306T	G151809.22		
M3309T	G140122.00		
M3311T	G140471.00		
M3311T-5	LM24229		
M3311T-50	140470.00		LM24194
M3311T-8	131547.00		
M3312T	G140682.00		
M3313T	G140490.00		
M3313T-5	LM24231		
M3313T-8	140004.00		
M3314T	G140683.00		
M3454	101646.00		LM24929
M3457	102684.00		
M3457	102864.00		
M3458	101647.00		LM24930
M3460	100905.00		
M3461	100905.00		
M3463	100960.00		
M3534	101079.00		LM24107

Cross Reference Exception Codes

LEESON Product Construction Exceptions

- C10 LEESON motor is capacitor start/induction run design
- C15 LEESON motor is premium efficiency design
- C47 LEESON motor is 208-230/460V
- C55 LEESON motor has a solid-state switch

LEESON Product Frame Size Exceptions

- F02 LEESON frame size is S56
- F29 LEESON frame size is 56HC

This information is furnished as a guide only.
Always check specific motor to determine suitability for direct replacement

Competitor Catalog #	LEESON Catalog #	Exception Code(s) To LEESON	Lincoln Catalog #
M3535	110441.00		LM24931
M3537	110143.00		LM24869
M3538	100913.00		LM24073
M3538-50	102693.00		
M3539	110353.00		LM24105
M3541	110313.00		LM24133
M3541-5	110354.00		LM24110
M3541-50	114306.00		
M3542	110034.00		LM24075
M3542-5	110178.00		LM25095
M3543	121009.00		LM24136
M3543-5	111394.00		
M3543T	121009.00		LM24136
M3545	110145.00		LM24094
M3545-5	110715.00		LM25096
M3545-50	114308.00		
M3546	110035.00		LM24078
M3546-5	110206.00		LM25097
M3546T	G120014.00		
M3546T-5	LM24109		
M3546T-50	121096.00		
M3546T-8	120047.00		
M3550	110745.00		LM24144
M3550T	G120086.00		
M3550T-50	121097.00		
M3554	110444.00		LM24118
M3554T-50	121093.00		
M3554T-8	120032.00		
M3555T	G120088.00		
M3555T-50	121094.00		
M3556T	G120087.00		
M3557	114930.00		
M3558	113026.00		LM24097
M3558T	G120016.00		
M3558T-5	LM24108		
M3558T-50	121095.00		
M3558T-8	120034.00		
M3559T	G120185.00		
M3607T	G130015.00		
M3607T	G131479.00		
M3610T	G130099.00		
M3610T-50	131480.00		
M3611T	G130008.00		
M3611T/36	G130008.00		
M3611T-5	LM16384		
M3611T-50	131459.00		
M3611T-8	131465.00		
M3613T	G130101.00		
M3613T-50	131481.00		
M3614T	G130016.00		
M3615T	G130027.00		
M3615T-5	LM16387		
M3615T-50	131454.00		
M3615T-8	131466.00		
M3616T	G131082.00		
M3617T	131478.00		
M3617T	G131478.00		
M3618T	131479.00		
M3660T	G151563.60		
M3661T	G151320.60		
M3663T	G150299.60		
M3665T	G151322.60		
M3702T	140516.00		
M3702T	G140516.00		
M3705T	140518.00		
M3708T	G140126.00		
M3709T	G130103.00		
M3710T	G140578.00		
M3710T-5	140593.00		
M3710T-8	131467.00		



Cross Reference

Baldor to LEESON® and Lincoln Motors

Competitor Catalog #	LEESON Catalog #	Exception Code(s) To LEESON	Lincoln Catalog #
M3711T	G140686.00		
M3713T	G140687.00		
M3714T	G140489.00		
M3714T-5	LM16395		
M3714T-50	140451.00		LM32809
M3714T-8	140013.00		
M3750T	G151809.22		
M3769T	G150158.60		
M3770T	G150157.60		
M3771T	G150159.60		
M3774T	G150140.60		
M4100T	G150068.60		
M4102T	G150001.60		
M4103T-12	G150011.60		
M4103T-5	LM16407		
M4104T-12	G150015.60		
M4104T-5	LM19595		
M4104T-8	170015.60		LM13964
M4106T	G150033.60		
M4107T	G150035.60		
M4108T	G150037.60		
M4109T	G150039.60		
M4110T-12	G150019.60		
M4110T-5	LM14396		
M4111T	G150003.60		
M4112T	150263.22		
M4112T	G150263.22		
M4114T	G150041.60		
M4115T-12	G150023.60		
M4115T-5	LM14399		
M4116T	150265.22		
M4117T	G150005.60		
M4118T	G151318.60		
M4308T	G150096.60		
M4310T	G150043.60		
M4312T	G150097.60		
M4313T	G150045.60		
M43145T-5	LM18366		
M4314T-12	G150027.60		
M4316T-12	G150031.60		
M4316T-5	LM18372		
M4400T	LM18292		
M4400T-12	G150087.60		
M4402T-4	G150160.60		
M4403T	G150098.60		
M4404T	G150099.60		
M4406T-4	G151371.60		
M4407T-4	G150352.60		
M4409T	G151367.60		
M4410T-4	G151369.60		
M4411T-4	G151370.60		
M4412T-4	G151368.60		
M44156T-4	171315.60	C15	LM16231
M44206T-4	171316.60	C15	LM60072
M44304T-4	151529.60		
M44304T-4	G151529.60		
M44354T	G151530.60		LM13720
M44354T-4	151530.60		
M7009A	111937.00		
M7010A	111923.00		
M7013	111942.00		
M7018T	G120489.00		
M7034T	121915.00		
M7034T	G120490.00		
M7037T	G120391.00		
M7053T	G158000.00		
M7054T	G158001.00		
M7056T	G158010.00		
M7058T	G825047.00		
M7059T	G825039.00		

Competitor Catalog #	LEESON Catalog #	Exception Code(s) To LEESON	Lincoln Catalog #
M7060T	G825041.00		
M7062T	G825043.00		
M7063T	G825046.00		
M7064T	G825045.00		
M7066T	G825002.00		
M7067T	G825042.00		
M7068T	G825005.00		
M7071T	121916.00		
M7071T	G120491.00		
M7075T	G120387.00		
M7081T	G825044.00		
M7083T	G825040.00		
M7090T	G825008.00		
M7142T	G158362.00		
M7144T	G158366.00		
M7147T	G158157.00		
M7170T	G158140.00		
M7174T	G158159.00		
M74124T-4	G825011.00		
M74154T-4	G825014.00		
MM2333	193131.60		
MM2334	193141.60		
MM3554	192061.00		
MM3555	192070.00		
MM3558	192071.00		
MM3559	192080.00		
MM4103	193151.60		
MM4104	193161.60		
MM4110	193171.60		
MM5100	192010.00		
MM5100-5	192088.00		
MM5150	192011.00		
MM5150-5	192089.00		
MM5200	192020.00		
MM5200-5	192097.00		
MM5250	192021.00		
MM5250-5	192098.00		
MM5300	192030.00		
MM5300-5	192106.00		
MM5350	192031.00		
MM5350-5	192107.00		
MM5400	192040.00		
MM5400-5	192115.00		
MM5450	192041.00		
MM5450-5	192116.00		
MM5500	192050.00		
MM5500-5	192124.00		
MM5550	192051.00		
MM5550-5	192125.00		
MM5600	192060.00		
MM5600-5	192133.00		
MM5650	192061.00		
MM5650	192202.00		
MM5650-5	192134.00		
MM5650-5	192230.00		
MM5650D	192203.00		
MM5700	192070.00		
MM5700-5	192142.00		
MM5750	192071.00		
MM5750-5	192143.00		
MVM2613D	193336.60		
MVM3457D	192024.00		
MVM3458C	192028.00		
MVM3458D	192025.00		
MVM3460C	192037.00		
MVM3460D	192034.00		
MVM3461C	192038.00		
MVM3461D	192035.00		
MVM3463C	192047.00		
MVM3463D	192044.00		

Gearmotors

AC / DC Controls

Accessories / Kits

Mods / Factory Options

X-Ref / Index

Tech Information

Warnings/Cautions



Cross Reference

Baldor to LEESON® and Lincoln Motors

Gearmotors

AC / DC Controls

Accessories / Kits

Mods / Factory Options

X-Ref / Index

Tech Information

Warnings/Cautions

Competitor Catalog #	LEESON Catalog #	Exception Code(s) To LEESON	Lincoln Catalog #
MVM3542C	192048.00		
MVM3542D	192045.00		
MVM3545C	192057.00		
MVM3545D	192054.00		
MVM3546C	192058.00		
MVM3546D	192055.00		
MVM3550C	192067.00		
MVM3550D	192064.00		
MVM3554C	192068.00		
MVM3554D	192065.00		
MVM3555C	192077.00		
MVM3555D	192074.00		
MVM3558C	192078.00		
MVM3558D	192075.00		
MVM3559C	192087.00		
MVM3559D	192214.00		
MVM3559D	192084.00		
MVM3559D	192211.00		
MVM3611C	193088.60		
MVM3611C	193359.60		
MVM3611D	193334.60		
MVM3613C	193107.60		
MVM3615D	193337.60		
MVM3709D	193342.60		
MVM3710D	193343.60		
MVM3711D	193345.60		
MVM5100C	192017.00		
MVM5100D	192014.00		
MVM5150C	192018.00		
MVM5150D	192015.00		
MVM5200C	192027.00		
MVM5200D	192024.00		
MVM5250C	192028.00		
MVM5250D	192025.00		
MVM5300C	192037.00		
MVM5300D	192034.00		
MVM5350C	192038.00		
MVM5350D	192035.00		
MVM5400C	192047.00		
MVM5400D	192044.00		
MVM5450C	192048.00		
MVM5450D	192045.00		
MVM5500C	192057.00		
MVM5500D	192054.00		
MVM5550C	192058.00		
MVM5550D	192055.00		
MVM5600C	192067.00		
MVM5600D	192064.00		
MVM5650C	192068.00		
MVM5650C	192204.00		
MVM5650D	192065.00		
MVM5700C	192077.00		
MVM5700C	192213.00		
MVM5700D	192074.00		
MVM5700D	192210.00		
MVM570C	192207.00		
MVM5750C	192078.00		
MVM5750D	192075.00		
MVM5750D	192206.00		
NM3542	114309.00		
NM3546T	121098.00		

Competitor Catalog #	LEESON Catalog #	Exception Code(s) To LEESON	Lincoln Catalog #
PCL1313M	114214.00		
PCL1317M	114215.00		
PCL3513M	115024.00		
PL1313M	113631.00		LM24524
PL1317M	113632.00		
PL1319M	113266.00		
PL1327M	116708.00		
PL3513M	110109.00		LM24532
PSC3413A	100699.00		
PSC3413A	100701.00		
PSC3413A	M099801.00		
PSC3416A	100700.00		
PSC3416A	M090253.00		
PSC3524A	100701.00		
RHM3104	100210.00		
RHM3108	100145.00		
RHM3108A	100796.00		
RHM3111	101773.00		
RHM3111A	101641.00		
RHM3112A	100908.00		
RHM3115	114192.00		
RHM3116	110052.00		
RHM3116A	111311.00		
RHM3120A	113896.00		
RHM3154	110433.00		
RHM3154A	113846.00		
RHM3155A	113897.00		
RHM3157	114197.00		
RHM3157A	113847.00		
RHM3158	113926.00		
RHM3158TA	113926.00		
RHM3161TA	116593.00		
RHM3162TA	121665.00		
RL1301A	100110.00		
RL1301A277	102964.00		
RL1304A	100011.00		
RL1304A277	102965.00		
RL1307A	100065.00		
RL1307A277	102966.00		
RL1309A	110478.00		
RL1310A	110054.00		
RL1310A277	116599.00		
RL1313A	110479.00		
RL1317A	113633.00		
RL1319A	110579.00		
RL1319A277	116600.00		
RL1323A	100064.00		
RL144A	100109.00		
RL345A	100011.00		
RL425A	100603.00		
RM3104	100210.00		
RM3108	100145.00		
RM3108A	100796.00		
RM3111	101773.00		
RM3111A	101641.00		
RM3112	100146.00		
RM3112A	100908.00		
RM3115	114192.00		
RM3115A	113895.00		
RM3116	110052.00		
RM3116A	111311.00		
RM3120	114194.00		
RM3120A	113896.00		
RM3154	110433.00		
RM3154A	113846.00		
RM3155	114196.00		
RM3155A	113897.00		
RM3157	114197.00		
RM3157A	113847.00		
RM3158TA	113926.00		

Cross Reference Exception Codes

LEESON Product Construction Exceptions

- C10 LEESON motor is capacitor start/induction run design
- C15 LEESON motor is premium efficiency design
- C47 LEESON motor is 208-230/460V
- C55 LEESON motor has a solid-state switch

LEESON Product Frame Size Exceptions

- F02 LEESON frame size is S56
- F29 LEESON frame size is 56HC

This information is furnished as a guide only. Always check specific motor to determine suitability for direct replacement



Cross Reference

Baldor to LEESON® and Lincoln Motors

Competitor Catalog #	LEESON Catalog #	Exception Code(s) To LEESON	Lincoln Catalog #
RM3161TA	116593.00		
RSP1441A	191868.00		
RSP1442A	191868.00		
RSP2441A	191869.00		
RSP2442A	191869.00		
RSP3441A	191870.00		
RSP3442A	191870.00		
UCL1015	140640.00		LM24782
UCL1015	141084.00		LM24782
UCL570	131847.00		
UCL710	131848.00		LM24780
UCL710	140640.00		LM24782
UCM1014	140641.00		LM24785
UCM575	131849.00		LM24783
UCM713	131850.00		LM24784
UCME1014	140641.00		LM24785
UCME570	131849.00		LM24783
V2I325A	MK1052.00		
V2L425A	MK1072.00		
V2L525A	MK1102.00		
VBM3108	114156.00		
VBM3112	114157.00		
VBM3116	114166.00		
VBM3116T	121678.00		
VBM3154	116766.00		
VBM3154T	120372.00		
VBM3157T	120373.00		
VBM3211T	131624.00		
VBM3218T	131625.00		
VBM3248T	131625.00		
VBM3546	114161.00		
VBM3546T	121556.00		
VBM3554	116768.00		
VBM3554T	120331.00		
VBM3558T	120332.00		
VBM3611T	131610.00		
VBM3615T	131611.00		
VBM3710T	131612.00		
VBM3714T	140637.00		
VEFVDM3554T	G121655.00		
VEJMM3116T	122073.00		
VEJMM3154T	122077.00		
VEJMM3157T	122080.00		
VEJMM3546T	122084.00		
VEJMM3554T	122088.00		
VEJMM3558T	122092.00		
VEM3542	114213.00		
VEM3545	116748.00		
VEM3546	114638.00		
VEM3550	116750.00		
VEM3554	116743.00		
VEM3554T	121066.00		
VEM3555	116744.00		
VEM3555	116751.00		
VEM3556	116749.00		
VEM3558	116744.00		
VEM3558T	121065.00		
VEM3610T	199082.00		
VEM3610T	G131513.00		
VEM3615T	131501.00		LM16825
VEM3710T	140486.00		LM16826
VEM3714T	140484.00		
VFDL3501M	113290.00		
VFDL3501M	M002290.00		
VFDL3504M	110492.00		
VFDL3504M	M009492.00		
VFDL3507M	110493.00		
VFDL3507M	M009493.00		
VFDL3510M	110494.00		
VFDL3510M	M009494.00		

Competitor Catalog #	LEESON Catalog #	Exception Code(s) To LEESON	Lincoln Catalog #
VFDL3516TM	120855.00		
VL1303A	100204.00		
VL1303A	101524.00		
VL1306A	100205.00		
VL1306A	101525.00		
VL1309A	100722.00		
VL1309A	101526.00		
VL1313A	110288.00		
VL1313A	113686.00		
VL1317A	110289.00		
VL1323A	110280.00		
VL325A	100204.00		
VL3501	101766.00	F02	
VL3503	102864.00		
VL3503-50	113912.00		
VL3504-50	113922.00		
VL3505	110411.00		LM24737
VL3506	110413.00		LM24738
VL3506-50	113913.00		
VL3507	110057.00		LM24613
VL3507-50	113923.00		
VL3508	110414.00		LM24739
VL3509	110416.00		LM24740
VL3509-50	113914.00		
VL3510	110058.00		LM24614
VL3510-50	113924.00		
VL3510T	121001.00		LM24741
VL3513	110419.00		LM24535
VL3513T	120101.00		
VL3514	110420.00		LM24622
VL3514-50	113925.00		
VL3514T	120017.00		
VL3515	110422.00		LM24530
VL3515T	120102.00		
VL3605T	131516.00		
VL3609T	131545.00		
VL4005A	111095.00		
VL425A	100205.00		
VL5003A	111098.00		
VL5004A	111085.00		
VL5006A	111097.00		
VL5007A	111086.00		
VL5009A	111096.00		
VL5023A	110852.00		
VL5030	114424.00		
VL525A	100722.00		
VL625A	110288.00		
VL725A	110289.00		
VL825A	110280.00		
VM2333T	151350.60		
VM2333T	G151350.60		
VM2334T	151352.60		
VM2334T	G151352.60		
VM2513T	G151682.60		
VM2514T	G151683.60		
VM2515T	G151684.60		
VM2516T	G151685.60		
VM2531T	G151686.60		
VM2534T	G151687.60		
VM3104	100048.00	F02	LM24910
VM3107	100056.00	F02	LM24911
VM3108	100049.00		LM24912
VM3109	110434.00		LM24913
VM3111	100378.00	F02	LM24914
VM3112	100050.00	F02	LM24915
VM3115	110111.00		LM24916
VM3116T	G120172.00		
VM3120	110437.00		LM24919
VM3120T	121668.00		
VM3153	116728.00		

Gearmotors

AC / DC Controls

Accessories / Kits

Mods / Factory Options

X-Ref / Index

Tech Information

Warnings/Cautions



Cross Reference

Baldor to LEESON® and Lincoln Motors

Gearmotors

AC / DC Controls

Accessories / Kits

Mods / Factory Options

X-Ref / Index

Tech Information

Warnings/Cautions

Competitor Catalog #	LEESON Catalog #	Exception Code(s) To LEESON	Lincoln Catalog #
----------------------	------------------	-----------------------------	-------------------

VM3153T	120063.00		
VM3154	110044.00		LM24160
VM3154T	120081.00		
VM3154T	G120081.00		
VM3155	113894.00		LM24921
VM3155T	121670.00		
VM3155T	G121670.00		
VM3156T	120082.00		
VM3156T	G120082.00		
VM3157	115553.00		LM24131
VM3157T	120035.00		
VM3157T	G120035.00		
VM3158	114420.00		LM24923
VM3158T	121187.00		
VM3158T	G121187.00		
VM3159T	121669.00		
VM3159T	G121669.00		
VM3161T	121405.00		
VM3161T	G131489.00		
VM3211T	131489.00		
VM3211T	131518.00		
VM3212T	131779.00		
VM3212T	G131779.00		
VM3215T	132059.00		
VM3215T	G132059.00		
VM3218T	131490.00		
VM3218T	G131490.00		
VM3219T	131780.00		
VM3219T	G131780.00		
VM3305T	140765.00		
VM3305T	G140765.00		
VM3311T	131527.00		
VM3311T	G140580.00		
VM3312T	140688.00		
VM3313T	140108.00		
VM3313T	G140108.00		
VM3314T	140689.00		
VM3314T	G140689.00		
VM3534	101769.00	F02	LM24093
VM3534-50	102689.00		
VM3535	113311.00		LM24858
VM3537	114176.00		LM24138
VM3537-50	102691.00		
VM3538	102860.00		LM24083
VM3538-50	102694.00		
VM3539	110163.00		LM24128
VM3541	110448.00		LM24151
VM3541-50	114893.00		
VM3542	110047.00		LM24077
VM3542-5	110177.00		
VM3542-50	114894.00		
VM3543	112378.00		LM24153
VM3543T	120097.00		
VM3545	110112.00		LM24139
VM3545-50	114895.00		
VM3546	110048.00		LM24080
VM3546-5	110204.00		
VM3546T	120024.00		
VM3546T	G120024.00	C15	
VM3546T-5	120176.00		

Cross Reference Exception Codes

LEESON Product Construction Exceptions

- C10 LEESON motor is capacitor start/induction run design
- C15 LEESON motor is premium efficiency design
- C47 LEESON motor is 208-230/460V
- C55 LEESON motor has a solid-state switch

LEESON Product Frame Size Exceptions

- F02 LEESON frame size is S56
- F29 LEESON frame size is 56HC

This information is furnished as a guide only.
Always check specific motor to determine suitability for direct replacement

Competitor Catalog #	LEESON Catalog #	Exception Code(s) To LEESON	Lincoln Catalog #
----------------------	------------------	-----------------------------	-------------------

VM3546T-5	G120176.00		
VM3546T-50	121272.00		
VM3550	110192.00		LM24096
VM3550T	120105.00		
VM3550T	G120105.00	C15	
VM3550T-50	121274.00		
VM3554	110125.00		LM24112
VM3554-5	111444.00		
VM3554T	120037.00		
VM3554T	G120037.00	C15	
VM3554T-5	120177.00		
VM3554T-5	G120177.00		
VM3554T-50	121275.00		
VM3555	111273.00		LM24132
VM3555-5	111611.00		
VM3555T	120061.00		
VM3555T	G120061.00		
VM3555T-50	121276.00		
VM3556	112379.00		LM24130
VM3556T	120098.00		
VM3556T	G120098.00	C15	
VM3557	113634.00		
VM3557T	120161.00		
VM3558	110451.00		LM24084
VM3558T	120038.00		
VM3558T	G120038.00		
VM3558T-5	120178.00		
VM3558T-5	G120178.00		
VM3558T-50	121277.00		
VM3559	111630.00		LM24975
VM3559T	120993.00		
VM3559T	G120993.00		
VM3610T	131513.00		
VM3611T	131491.00		
VM3611T	199083.00		
VM3611T	G131491.00		
VM3611T-5	131498.00		
VM3611T-5	G131498.00		
VM3613T	131514.00		
VM3613T	199084.00		
VM3613T	G131514.00		
VM3614T	131525.00		
VM3614T	G131525.00		
VM3615T	131492.00		
VM3615T	199085.00		
VM3615T	G131492.00		
VM3615T-5	131499.00		
VM3615T-5	G131499.00		
VM3616T	131510.00		
VM3616T	G131510.00		
VM3704T	131642.00		
VM3704T	G131642.00		
VM3708T	140535.00		
VM3708T	G140535.00		
VM3709T	131912.00		
VM3709T	G131912.00		
VM3710T	131528.00		
VM3710T	G141113.00		
VM3711T	140690.00		
VM3711T	G140690.00		
VM3713T	140691.00		
VM3713T	G140691.00		
VM3714T	140109.00		
VM3714T	G140109.00	C15	
VM3774T	199089.00		
VM3774T	G151348.60		LM16301
VM37770T	199087.00		
VM37770T	G151346.60		
VM4103T	151507.60		
VM4103T	G151507.60		



Cross Reference

Baldor to LEESON® and Lincoln Motors

Competitor Catalog #	LEESON Catalog #	Exception Code(s) To LEESON	Lincoln Catalog #
VM4104T	151508.60		
VM4104T	G151508.60		
VM4106T	151351.60		
VM4106T	G151351.60		
VM7009A	111936.00		
VM7010A	111935.00		
VM7037T	121178.00		
VMDM3554	116647.00		
VMDM3558	114616.00		
VNM3537	110144.00		
VNM3538	102861.00	F02	
VSSEWDM3537	117126.00		
VSSEWDM3538	117127.00		
VSSEWDM3541	117128.00		
VSSEWDM3542	117129.00		
VSSEWDM3545	117130.00		
VSSEWDM3546	117131.00		
VSSEWDM3550T	121750.00		
VSSEWDM3554	117297.00		
VSSEWDM3554T	121751.00		
VSSEWDM3555T	121742.00		
VSSEWDM3558	117298.00		
VSSEWDM3558T	121743.00		
VSSFWD3542	103390.00		
VSSSWDM3537	117126.00		
VSSSWDM3538	103413.00		
VSSSWDM3538	117127.00		
VSSSWDM3541	117128.00		
VSSSWDM3542	103414.00		
VSSSWDM3542	117129.00		
VSSSWDM3545	117130.00		
VSSSWDM3546	117131.00		
VSSSWDM3550T	121750.00		
VSSSWDM3554	117297.00		
VSSSWDM3554T	121751.00		
VSSSWDM3555T	121742.00		
VSSSWDM3558	117298.00		
VSSSWDM3558T	121743.00		
VSSWDM3537	117279.00		
VSSWDM3538	116166.00		
VSSWDM3538	117270.00		
VSSWDM3541	117280.00	F02	
VSSWDM3542	116168.00		
VSSWDM3542	117272.00		
VSSWDM3545	116318.00		
VSSWDM3545	117281.00		
VSSWDM3546	116170.00		
VSSWDM3548	117274.00		
VSSWDM3554T	G121525.00		
VSSWDM3558T	G121527.00		
VSSWDM3559T	121562.00		
VSSWDM3559T	G121562.00		
VSSWDM355T	G121561.00		
VSSWDM3611T	131923.00		
VSSWDM3611T	G131923.00		
VSSWDM3613T	131949.00		
VSSWDM3613T	G131949.00		
VSSWDM3615T	131924.00		
VSSWDM3615T	G131924.00		
VSWDM3536	114437.00		
VSWDM3538	114394.00		
VSWDM3538	191205.00		
VSWDM3542	114395.00		
VSWDM3542	191208.00		
VSWDM3546	191290.00		
VSWDM3546T	121109.00		
VSWDM3546T	191214.00		
VSWDM3554	114581.00		
VSWDM3554	191219.00		
VSWDM3554T	191220.00		

Competitor Catalog #	LEESON Catalog #	Exception Code(s) To LEESON	Lincoln Catalog #
VSWDM3558T	191226.00		
VWDL3504	114313.00	C55	
VWDL3507	114315.00	C55	
VWDL3510	114317.00	C55	
VWDL3514	114319.00	C55	
VWDM2714T	G140465.00		
VWDM3538	113473.00		
VWDM3542	113019.00		
VWDM3546	113020.00		
VWDM3546T	120760.00		
VWDM3554	113021.00		
VWDM3554T	120761.00		
VWDM3558	114616.00		
VWDM3558T	120762.00		
VWDM3558T	G120762.00		
VWDM3559	115976.00		
VWDM3611T	131596.00		
VWDM3611T	G131596.00		
VWDM3615T	131597.00		
VWDM3615T	G131597.00		
VWDM3710T	140467.00		
VWDM3714T	140465.00		
WDM3558T	G120586.00		
WDM3558TP	G121191.00		
WDM3558TP9	121934.00		
WDM3561TP	115751.00		
WDM3561TP9	121944.00		
WDM3611T	G130662.00		
WDM3615T	G130663.00		
WDM3710T	G140280.00		
WDM3710T	G140467.00		
WDM3714T	G140281.00		
WWL3606	120728.00		
YPC144A	191872.00		
YPC164A	191891.00		
YPC244A	191871.00		
YPC245A	191910.00		
YPC264A	191892.00		
YPC265A	191911.00		
YPC344A	191873.00		
YPC345A	191875.00		
YPC364A	191893.00		
YPC365A	191912.00		

Gearmotors

AC / DC Controls

Accessories / Kits

Mods / Factory Options

X-Ref / Index

Tech Information

Warnings/Cautions



Cross Reference

WEG to LEESON® and Lincoln Motors

Gearmotors

AC / DC Controls

Accessories / Kits

Mods / Factory Options

X-Ref / Index

Tech Information

Warnings/Cautions

Competitor Catalog #	LEESON Catalog #	Lincoln Catalog #
.00118ES3ED56CFL	110048.00	LM24080
.00136EP3ESS56C	191209.00	
.00136ES3EB65C	110181.00	LM24126
.00136OS1BJPR56C	100722.00	
.00136OS1BJPR56J	100723.00	
.00156OS1BJPR56C	110288.00	
.00156OS1BJPR56J	110292.00	
.00236OS1BJPR56C	110289.00	
.00236OS1BJPR56J	110293.00	
.00336OS1DJPR56C	110280.00	
.00336OS1DJPR56J	110286.00	
.05018OS3EA56C	100601.00	LM24880
.1812EP3EAL71	192012.00	
.1818EP3EAL63	192011.00	
.1836EP3EAL63	192010.00	
.2512EP3EAL71	192022.00	
.2518EP3EAL71	192021.00	
.2518ES1BB56C	102916.00	LM24723
.2518ES3EB56	101646.00	LM24929
.2518OS1BB48	101423.00	LM24458
.2536EP3EAL63	192020.00	
.2536OS3EA56	100027.00	LM24866
.3312OS3EA56	110425.00	LM24868
.3318OS1BC48C	103023.00	
.3318OS1BC56CFL	100024.00	LM24571
.3318OS3EA56CFL	100048.00	LM24910
.3318EP3ESS56C	191201.00	
.3318EP3ESS56CFL	191202.00	
.3318ES1BB56	102931.00	LM24597
.3318ES1BB56C	102930.00	LM24600
.3318ES1BPFC48	101253.00	
.3318ES1BPFC48	M090253.00	
.3318ES1BRBPFC4	100804.00	LM24448
.3318ES1RADB56N	101435.00	LM24462
.3318ES1RFDB56	113256.00	LM24789
.3318ES1RFDB56	M002256.00	LM24789
.3318ES3EB56	101079.00	LM24107
.3318ES3EB56	101647.00	LM24930
.3318ES3EB56C	102922.00	LM24114
.3318ES3EB56CFL	101769.00	LM24093
.3318OS1BC48	100116.00	
.3318OS1BC56	100006.00	LM24570
.3318OS3EA56	100028.00	LM24152
.3318OS3EA56	100446.00	
.3336OS1BC48	100336.00	LM24467
.3336OS1BC56CFL	100354.00	LM24688
.3336OS3EA56CFL	100375.00	LM24909
.3336ES1BB56C	102929.00	LM24724
.3336ES1BB56CFL	102870.00	LM24736
.3336ES3EB56	102864.00	
.3336ES3EB56CFL	110446.00	
.3336OS3EA56	101447.00	LM24867
.3336OS3EA56C	100599.00	LM24277
.3336OS3EJPR56J	102197.00	
.3712EP3EAL80	192032.00	
.3718EP3EAL71	192031.00	
.3736EP3EAL71	192030.00	
.5012OS3EB56CFL	110434.00	LM24913
.5012EP3ESS56CFL	191419.00	
.5012ES1BD56CFL	110411.00	LM24737
.5012ES3EB56	110353.00	LM24105
.5012ES3EB56C	110914.00	LM24104
.5012ES3EB56CFL	110163.00	LM24128
.5012OS3EB56	110027.00	LM24146
.5018OS1BC56C	101851.00	LM24697
.5018OS1BC56CFL	100025.00	LM24555
.5018OS3EA56CFL	100049.00	LM24912
.5018EP3ESS56C	191204.00	
.5018EP3ESS56CFL	191205.00	
.5018ES1BB56	102906.00	LM24627

Competitor Catalog #	LEESON Catalog #	Lincoln Catalog #
.5018ES1BB56C	102907.00	LM24080
.5018ES1BB56CFL	102862.00	
.5018ES1BPFC56	101176.00	LM24126
.5018ES1BRBPFC56	111323.00	
.5018ES1RADB56N	101436.00	
.5018ES1RFDB56	110086.00	
.5018ES1RFDB56	M009086.00	
.5018ES3EB56	100913.00	
.5018ES3EB56	100961.00	
.5018ES3EB56C	102917.00	
.5018ES3EB56CFL	102860.00	
.5018OS1BC48	100338.00	LM24880
.5018OS1BC56	100007.00	
.5018OS3EA56	100029.00	
.5036OS1BC56C	103024.00	
.5036OS1BC56CFL	100356.00	
.5036EP3ESS56C	191203.00	
.5036ES1BB56	102905.00	LM24723
.5036ES1BB56C	102903.00	LM24929
.5036ES1BJP56J	113637.00	LM24458
.5036ES1BJPR56J	113955.00	
.5036ES3EB56	100905.00	LM24866
.5036ES3EB56	110143.00	LM24868
.5036ES3EB56C	114142.00	
.5036ES3EB56CFL	114176.00	LM24571
.5036ES3EJPR56J	114931.00	LM24910
.5036OS1BC48	100184.00	
.5036OS1BC56	100337.00	
.5036OS1BJP56J	101527.00	LM24597
.5036OS1BJP56J	110281.00	LM24600
.5036OS1BJPR56C	100204.00	
.5036OS1BJPR56C	101524.00	
.5036OS1BJPR56J	100207.00	LM24448
.5036OS3EA56	101448.00	LM24462
.5036OS3EA56C	100600.00	LM24789
.5036OS3EA56CFL	100056.00	LM24789
.5036OS3EJPR56J	102198.00	LM24107
.5036OS3EJPR56J	102199.00	LM24930
.503ES1BB56CFL	102864.00	LM24114
.5512EP3EAL80	192042.00	LM24093
.5518EP3EAL80	192041.00	
.5536EP3EAL71	192040.00	LM24570
.7512EP3EAL90S	192200.00	LM24152
.7512EP3ESS56C	191415.00	
.7512EP3ESS56CFL	191420.00	LM24467
.7512ES1BF56	110400.00	LM24688
.7512ES1BF56CFL	110414.00	LM24909
.7512ES3ED56	110275.00	LM24724
.7512ES3ED56	121009.00	LM24736
.7512ES3ED56C	116340.00	
.7512ES3ED56CFL	112378.00	
.7512OS3EB56CFL	116728.00	LM24867
.7512OS3ED56	110028.00	LM24277
.7518OS1BD56C	101650.00	
.7518OS1BD56CFL	100026.00	
.7518EP3EAL80	192051.00	
.7518EP3ESS56C	191207.00	
.7518EP3ESS56CFL	191208.00	LM24913
.7518ES1BB56	110013.00	
.7518ES1BB56C	110905.00	LM24737
.7518ES1BB56CFL	110057.00	LM24105
.7518ES1BRBPFC56	111324.00	LM24104
.7518ES1RADB56N	101437.00	LM24128
.7518ES1RFDB56	110087.00	LM24146
.7518ES1RFDB56	M009087.00	LM24697
.7518ES3EB56	110034.00	LM24555
.7518ES3EB56C	110916.00	LM24912
.7518ES3EB56CFL	110047.00	
.7518OS1BD56	100008.00	
.7518OS3EB56	100030.00	LM24627



Cross Reference

WEG to LEESON® and Lincoln Motors

Competitor Catalog #	LEESON Catalog #	Lincoln Catalog #
.7518OS3EB56C	100602.00	LM24628
.7518OS3EB56CFL	100050.00	LM24599
.7536OS1BB56C	103025.00	
.7536OS1BB56CFL	100357.00	
.7536EP3EAL80	192050.00	LM24463
.7536EP3ESS56C	191206.00	LM24790
.7536ES1BB56	110276.00	LM24790
.7536ES1BB56C	112135.00	LM24073
.7536ES1BB56CFL	110413.00	LM24932
.7536ES1BJP56J	113638.00	LM24074
.7536ES1BJPR56J	113956.00	LM24083
.7536ES3EB56	100960.00	
.7536ES3EB56	110313.00	LM24551
.7536ES3EB56C	110915.00	LM24098
.7536ES3EB56CFL	110448.00	
.7536ES3EJP56J	113028.00	LM24689
.7536ES3EJPR56J	114208.00	
.7536OS1BB56	100340.00	LM24706
.7536OS1BJP56J	101528.00	LM24725
.7536OS1BJPR56C	100205.00	
.7536OS1BJPR56C	101525.00	
.7536OS1BJPR56J	100208.00	
.7536OS1BJPR56J	110282.00	LM24869
.7536OS3EB56	101449.00	LM24129
.7536OS3EB56C	102971.00	LM24138
.7536OS3EB56CFL	100378.00	
.7536OS3EJP56J	101637.00	LM24465
.7536OS3EJPR56J	101776.00	
000336ES3EF56	114614.00	
000412EP3EAL132M	193308.60	
000418EP3EAL112M	193307.60	
000436EP3EAL112M	193306.60	
000509EP3E254T	G151355.22	
000736ET3H213T	170196.60	LM24869
00109EP3E182T	G131478.00	LM24879
00112EP3ERS145TC	G120428.00	LM24911
00112EP3ERSR145TC	G120098.00	
00112ES3EF56CFL	112379.00	
00112ET3E145T	171643.60	
00112ET3E145T		
00112ET3H145T	121938.00	
00112OT3E145T	121517.00	
00118OS1BD56C	113930.00	
00118OS1BD56CFL	110220.00	
00118EP3E143JM	G121855.00	
00118EP3E143TC	121936.00	LM24497
00118EP3EAL90S	192202.00	LM24739
00118EP3ERS143TC	121179.00	LM24136
00118EP3ERSR143TC	G120024.00	LM24136
00118EP3ESS143TC	191487.00	LM24140
00118EP3ESS56CFL	191213.00	LM24153
00118ES1BD56C	110908.00	
00118ES1BD56CFL	110058.00	LM24162
00118ES1RADD56N	113301.00	LM24699
00118ES1RADD56N	113302.00	
00118ES1RFD143T	121669.00	
00118ES1RFDDB56	110088.00	
00118ES3ED56	110035.00	
00118ES3ED56	115830.00	LM24607
00118ET3E143JM-W22	122083.00	LM24615
00118ET3E143JP-W22	122105.00	LM24613
00118ET3E143T	171640.60	
00118ET3E143T		LM24812
00118ET3ERS143T	120921.00	LM24791
00118ET3ERS143TC	116745.00	LM24791
00118ET3H143T	121937.00	LM24075
00118NP3ESS56CFL	191290.00	LM24076
00118OP3E143JM	G121850.00	LM24077
00118OS1BD56	110004.00	LM24502
00118OS3EB56	110029.00	LM24099

Competitor Catalog #	LEESON Catalog #	Lincoln Catalog #
00118OS3EB56	115827.00	LM24267
00118OS3EB56C	110901.00	LM24915
00118OT3E143JM-S1	122115.00	
00118OT3E143JP-S	122093.00	LM24690
00118OT3E143T	121003.00	
00118ST3QIE143T	811541.00	
0012ES3EBM145T	G121050.00	LM24707
0012ES3EF56	113933.00	LM24726
0013601BD56C	116769.00	LM24738
001360S1BD56CFL	110384.00	
00136EP3EAL80	192060.00	
00136ES1BD56	110059.00	
00136ES1BD56C	110180.00	LM24133
00136ES1BD56CFL	110416.00	LM24134
00136ES1BJP56J	113957.00	LM24151
00136ES1BJPR56J	113639.00	
00136ES3EB56CFL	110112.00	
00136ES3EB56CFL	116748.00	LM24674
00136ES3EJP56J	113029.00	
00136ES3EJPR56J	114207.00	
00136ES3ES3EB56	110145.00	
00136OS1BCDB56	110160.00	
00136OS1BD56	110360.00	
00136OS1BJP56J	101529.00	LM24870
00136OS1BJPR56C	101526.00	
00136OS1BJPR56J	110283.00	LM24914
00136OS3EB56	110426.00	
00136OS3EB56C	116784.00	
00136OS3EJP56J	101638.00	
00136OS3EJPR56J	101775.00	
00136OS3EJPR56J	114203.00	
0013OS3EB56CFL	110111.00	
00152EP3ERS182T	G131479.00	
00152EP3ERSR182TC	G132249.00	LM16389
00152ES1E182T	131526.00	
00152ET3ERS182T	131980.00	
00152ET3H183T	132251.00	
00152OT3E182T	131971.00	LM24130
00156OS1BD56C	116770.00	LM33121
00156OS1BD56CFL	110387.00	LM32587
00156EP3E143JM	G121858.00	
00156EP3ERS143TC	121672.00	LM24872
00156EP3ERSR143TC	G120105.00	LM24700
00156EP3ESS143TC	191488.00	LM24586
00156EP3ESS56C	191215.00	
00156ES1BD56	110094.00	
00156ES1BD56C	110909.00	
00156ES1BD56CFL	110419.00	LM32822
00156ES1BJP56J	113640.00	
00156ES1E143T	120130.00	
00156ES3EB56	110745.00	
00156ES3EB56C	110917.00	LM24616
00156ES3EB56CFL	110192.00	LM24614
00156ES3EJP56J	113030.00	LM24814
00156ES3EJPR56J	114206.00	LM24813
00156ET3E143JM-W22	122085.00	LM24793
00156ET3E143JP-W22	122107.00	LM24792
00156ET3E143T	171642.60	LM24078
00156ET3ERS143T	121518.00	
00156ET3H143T	121939.00	
00156OS1BCDD56	110161.00	
00156OS1BD56	110361.00	LM32796
00156OS1BJP56J	113687.00	LM32856
00156OS1BJPR56C	113686.00	LM32796
00156OS3ED56	110429.00	
00156OS3ED56C	116785.00	
00156OS3ED56CFL	110437.00	
00156OS3EJPR56J	113891.00	
00156OT3E143JM-S7	122074.00	LM24580
00156OT3E143JP-S	122095.00	LM24111

Gearmotors

AC / DC Controls

Accessories / Kits

Mods / Factory Options

X-Ref / Index

Tech Information

Warnings/Cautions



Cross Reference

WEG to LEESON® and Lincoln Motors

Gearmotors

AC / DC Controls

Accessories / Kits

Mods / Factory Options

X-Ref / Index

Tech Information

Warnings/Cautions

Competitor Catalog #	LEESON Catalog #	Lincoln Catalog #
00156OT3E143T	121514.00	
00156ST3QIE143T	811542.00	
00156XP3E143T	121914.00	
00158OS1BF56C	113932.00	
00158OS1BF56CFL	110388.00	LM24871
00158EP3E145JM	G121856.00	
00158EP3E145JP	G151736.60	
00158EP3E184T	171630.60	LM24159
00158EP3ERS145TC	121180.00	
00158EP3ERSR145TC	120037.00	LM24526
00158EP3ERSR145TC	G120037.00	
00158EP3ESS145CFL	G191220.00	LM24708
00158EP3ESS56C	191217.00	LM24727
00158EP3ESS56CFL	191219.00	LM24740
00158ES1BF56	110019.00	
00158ES1BF56	110253.00	
00158ES1BF56C	110910.00	LM24139
00158ES1BF56CFL	110420.00	
00158ES1E145T	120026.00	
00158ES1RFD145T	113938.00	
00158ES1RFD56H	M009089.00	LM24094
00158ES1RFD56H	110089.00	
00158ES3EBM145T	G120329.00	LM24525
00158ES3ED56	110444.00	
00158ES3ED56	115829.00	
00158ES3ED56C	110918.00	
00158ES3ED56CFL	110125.00	LM24155
00158ET3E145JM-W22	122087.00	
00158ET3E145JP-W22	122109.00	
00158ET3E145T	171646.60	
00158ET3ERS145T	120922.00	
00158ET3ERS145TC	116746.00	LM24916
00158ET3H145T	121940.00	
00158OP3E145JP	G121846.00	
00158OS1BF56	110005.00	
00158OS3ED56	110430.00	LM15648
00158OS3ED56	111309.00	LM17059
00158OS3ED56	115825.00	
00158OS3ED56C	110902.00	
00158OS3ED56CFL	110044.00	LM24523
00158OT3E145JP-S	122097.00	
00158OT3E145T	121004.00	LM32824
00158P3E145JM	G121851.00	
00158ST3QIE145T	811543.00	
00158XP3E145T	121915.00	
0015ES1BJP56J	113958.00	LM24531
0015OS1BJPR56J	110284.00	LM24539
0018EP3ESS143TCFL	G191214.00	LM24535
0018ES1BD56	110209.00	
0018ES1E143T	120025.00	LM24710
0018ES3EBM143T	G121679.00	LM24144
0018ES3ED56C	110912.00	LM24135
0018ESEBM143T	G121679.00	LM24096
0018OS3EB56CFL	110043.00	
001O8NP3ESS56C	191291.00	
00209EP3E213T	G140516.00	
002118EP3EAL100L	193301.60	
00212EP3E112M	193302.60	
00212EP3ERSR184TC	G131525.00	LM33122
00212ES1E213T	140747.00	LM25102
00212ES3EBM184T	G131620.00	
00212ET3ERS184T	131981.00	LM24524
00212ET3ERS184TC	132243.00	
00212ET3H184T	132252.00	
00212OT3E184T	131972.00	LM24874
00218EP3E145JM	G121857.00	
00218EP3E145JP	G151737.60	LM24919
00218EP3ER145TC	G121178.00	
00218EP3ERS145TC	G120038.00	
00218EP3ESS145TC	191491.00	

Competitor Catalog #	LEESON Catalog #	Lincoln Catalog #
00218EP3ESS56C	191223.00	LM32727
00218EP3ESS56CFL	191225.00	
00218EP3ESS56CFL	G191226.00	
00218ES1E145T	121507.00	
00218ES1RDFD145T	110090.00	LM24587
00218ES1RDFD182T	131541.00	
00218ES1RFDG56H	M009090.00	
00218ES3EBM145T	G120330.00	
00218ES3EF56	113026.00	LM32825
00218ES3EF56	115828.00	
00218ES3EF56C	116106.00	
00218ES3EF56CFL	110451.00	
00218ES3ERS145TC	116747.00	
00218ET3E145JM-W22	122091.00	
00218ET3E145JP-W22	122113.00	LM24514
00218ET3E145T	171647.60	LM24513
00218ET3ERS145T	120923.00	LM24728
00218ET3ERS145TC	121181.00	LM24622
00218ET3H145T	121942.00	LM24711
00218OP3E145JM	G121852.00	LM24794
00218OP3E145JP	G121847.00	LM24793
00218OS1BG56	120067.00	LM24795
00218OS3EF56	111310.00	
00218OS3EF56	113025.00	LM24118
00218OS3EF56	115826.00	
00218OS3EF56C	116630.00	LM24095
00218OT3E145JP-S	122102.00	LM24112
00218OT3EN145T	121005.00	
00218ST3QIE145T	811545.00	
00218XP3E145T	121917.00	LM33123
0023600S1BF56C	116771.00	LM33123
002360S1BF56	110363.00	
002360S1BF56CFL	110390.00	LM24142
00236EP3AL90L	192209.00	
00236EP3E145JM	G121859.00	LM24583
00236EP3ERSR145TC	G120061.00	LM24117
00236EP3ESS145TC	191490.00	
00236EP3ESS56C	191221.00	
00236ES1BF56	110352.00	
00236ES1BF56C	113931.00	LM24160
00236ES1BF56CFL	110422.00	
00236ES1BJP56J	113959.00	LM24875
00236ES1BJPR56J	113641.00	
00236ES1E145T	120036.00	
00236ES3ED56	111916.00	
00236ES3ED56C	113927.00	
00236ES3ED56CFL	111273.00	
00236ES3EJP56J	113031.00	
00236ES3EJPR56J	114205.00	LM24610
00236ET3E145JM-W22	122089.00	LM24709
00236ET3E145JP-W22	122111.00	
00236ET3E145T	171648.60	LM24079
00236ET3ERS145T	121519.00	
00236ET3ERS145TC	121673.00	LM24917
00236ET3H145T	121941.00	
00236OP3E145JM	G121853.00	
00236OS1BCDD56	110232.00	
00236OS1BJPR56J	110285.00	
00236OS3ED56	113292.00	
00236OS3ED56C	114218.00	
00236OS3ED56CFL	113894.00	
00236OS3EJPR56J	113892.00	
00236OS3EJPR56J	114202.00	LM32830
00236OT3E145JP-SE145JP-S	122100.00	LM17062
00236OT3E145T	121515.00	
00236ST3QIE145T	811544.00	
00236XP3E145T	121916.00	
00312EP3AL132S	193305.60	
00312EP3ERSR213TC	G131642.00	



Cross Reference

WEG to LEESON® and Lincoln Motors

Competitor Catalog #	LEESON Catalog #	Lincoln Catalog #
00312ES3EBM213T	G140601.00	
00312ET3ERS213T	171378.60	
00312ET3ERS213TC	140834.00	
00312OT3E213T	171574.60	
00318EP3E182JM	G131579.00	
00318EP3E182JP	G151739.60	
00318EP3EAL100L	193304.60	LM24796
00318EP3ERSR182TC	G131491.00	
00318ES1DFD184T	131542.00	
00318ES1E184T	131533.00	LM24097
00318ES3EBM182T	G131613.00	
00318ET3E182JM-W22	199767.00	LM24081
00318ET3E182JP-W22	199093.00	LM24084
00318ET3E182T	171320.60	
00318ET3E182T		
00318ET3E182TC	171565.60	
00318ET3ERS182T	131463.00	LM33125
00318ET3ERS182TC	131504.00	LM33125
00318ET3H182T	132253.00	LM32829
00318OP3E182JM	G131562.00	
00318OP3E182JP	G131882.00	
00318OS1D184T	131534.00	
00318OT3E182JM	199589.00	LM24677
00318OT3E182JP	199770.00	
00318OT3E182T	131519.00	
00318ST3QIE182T	811547.00	
00318XP3ER182TC	G825116.00	
00318XT3E182T	825085.00	
00318XT3E182TC	825126.00	LM24169
00336EP3E145JM	G121860.00	
00336EP3E182JP	G151738.60	
00336EP3EAL100L	193303.60	
00336EP3ESS182TC	191492.00	LM24624
00336ES1E145T	120341.00	LM24527
00336ES1E182T	131637.00	
00336ES3EF56CFL	111630.00	
00336ES3EJP56J	113032.00	
00336ES3EJPR56J	114204.00	
00336ET3E182JM-W22	199766.00	
00336ET3E182JP-W22	199092.00	LM24534
00336ET3ERS182T	131985.00	LM24729
00336ET3ERS182TC	132079.00	LM24530
00336OP3E145JM	G121854.00	
00336OS1D182T	131636.00	
00336OS3EF56	113293.00	LM24712
00336OS3EF56C	121928.00	LM24347
00336OS3EF56CFL	114420.00	LM24121
00336OS3EJPR56J	113893.00	LM24132
00336OS3EJPR56J	114201.00	
00336OT3E145T	121516.00	
00336ST3QIE182T	811546.00	
00336XT3E182TC	825125.00	
0033OS1BCDF56	110222.00	LM33124
0036EP3ER182TC	G131513.00	LM33124
0036EP3ERS182TC	114615.00	LM32828
0036ET3E182TC	171564.60	LM25103
00512EP3EAL132M	193311.60	
00512EP3EAL132M	193312.60	
00512EP3ERSR215TC	G140535.00	
00512ET3E215T		LM24877
00512ET3E215TC	171116.60	
00512ET3ERS215T	171379.60	LM24921
00512OT3E215T	171575.60	
00518EP3E184JM	G131581.00	
00518EP3E184JP	G151741.60	
00518EP3EAL132S	193310.60	LM33137
00518EP3ERSR184TC	G131492.00	
00518ES1DFD184T	131543.00	
00518ES1DFD215	140223.00	
00518ES1DFD215T	140203.00	

Competitor Catalog #	LEESON Catalog #	Lincoln Catalog #
00518ES1E184T	131538.00	
00518ES3EBM184T	G131614.00	LM60027
00518ET3E184JM-W22	199769.00	LM32833
00518ET3E184JP-W22	199095.00	LM32733
00518ET3E184T	171322.60	
00518ET3E184T		
00518ET3E184TC	171566.60	
00518ET3ERS184T	131464.00	
00518ET3ERS184TC	131502.00	LM24801
00518ET3H184T	132255.00	LM24716
00518OP3E184JM	G131563.00	
00518OS1C184T	131537.00	
00518OT3E184JM	199590.00	
00518OT3E184JP	199772.00	LM60026
00518OT3E184T	131520.00	LM16644
00518ST3QIE184T	811549.00	LM16742
00518XP3ER184TC	G825128.00	LM32741
00518XT3E184T	825087.00	LM16742
00518XT3E184TC	825071.00	LM16384
00536EP3E184JM	G131580.00	
00536EP3E184JP	G151740.60	
00536EP3EAL132S	193309.60	LM24680
00536EP3ERSR184TC	G131514.00	
00536ES1E184T	131549.00	
00536ET3E184JM-W22	199768.00	LM24222
00536ET3E184JP-W22	199094.00	
00536ET3E184T		
00536ET3E184TC	171446.60	
00536ET3ERS184T	131987.00	
00536ET3ERS184TC	132080.00	
00536ET3H184T	132254.00	
00536OP3E182JM	G131574.00	
00536OP3E182JP	G131884.00	
00536OS1CCDG56	111275.00	
00536OS1D184T	131616.00	LM24715
00536OT3E182JP	199097.00	LM24975
00536OT3E182T	131986.00	
00536OT3V182JM	199763.00	
00536ST3QIE184T	811548.00	
00536XT3E184T	825086.00	
00709EP3E256T	G151366.22	LM15646
00712EP3E160M	193314.60	LM16741
00712ET3E254T	170122.60	
00712ET3ERS254T		LM24679
00712ETRS3E254TC	170138.60	LM24878
00712OT3E254T	170145.60	
00718EP3E213JM	G140622.00	LM24923
00718EP3E213JP	G151743.60	
00718EP3EAL132M	193313.60	
00718EP3ER213TC	G151346.60	LM32731
00718EP3ERSR213TC	G141113.00	
00718ES1DFD215T	140130.00	
00718ES1DFD215T	140707.00	
00718ES1DFD215TZ	140209.00	
00718ES1E215T	140120.00	LM24953
00718ES3EBM213T	G140603.00	LM16741
00718ET3E213		
00718ET3E213JM-W22	199780.00	
00718ET3E213JP-W22	199787.00	
00718ET3E213T	170157.60	LM32867
00718ET3E213TC	170165.60	LM32835
00718ET3ERS213T	140450.00	LM15883
00718ET3ERS213TC	140521.00	LM32735
00718ET3H213T	141116.00	
00718OP3E213JM	G140618.00	
00718OP3E213JP	G140667.00	
00718OS1CCD215T	140155.00	
00718OT3E213JM	199775.00	LM24798
00718OT3E213JP	199783.00	
00718OT3E213T	140470.00	LM24798

Gearmotors

AC / DC Controls

Accessories / Kits

Motors / Factory Options

X-Ref / Index

Tech Information

Warnings/Cautions



Cross Reference

WEG to LEESON® and Lincoln Motors

Gearmotors

AC / DC Controls

Accessories / Kits

Mods / Factory Options

X-Ref / Index

Tech Information

Warnings/Cautions

Competitor Catalog #	LEESON Catalog #	Lincoln Catalog #
00718OT3E213T	170142.60	LM24718
00718ST3QIE213T	811551.00	
00718XT3E213T	825089.00	
00718XT3E213TC	825073.00	
00736EP3E184JM	G131582.00	LM24195
00736EP3E213JM	G132027.00	LM16650
00736EP3E213JP	G151742.60	LM62020
00736EP3ER213TC	G151345.60	LM15650
00736EP3ERSR213TC	G131510.00	LM16747
00736EP3ERSR213TC	G131912.00	LM17067
00736ES1E213T	140684.00	
00736ET3E213JM-W22	199779.00	LM24682
00736ET3E213JP-W22	199096.00	
00736ET3E213T	170158.60	
00736ET3E313TC	170166.60	LM24202
00736ET3ERS213T	140756.00	
00736ET3ERS213TC	140770.00	
00736OP3E184JM	G131576.00	
00736OP3E184JP	G131885.00	
00736OS1C184T	140680.00	
00736OT3E184JM	199765.00	
00736OT3E184JP	199773.00	
00736OT3E184T	131988.00	
00736ST3QIE213T	811550.00	LM24717
00736XT3E213T	825088.00	
01009EP3E284T	G150282.22	
01012ET3E256T	170123.60	LM32864
01012ET3E356TC	170139.60	LM16745
01012OT3E256T	170146.60	LM15649
01018EP3E215JM	G140623.00	LM16745
01018EP3E215JP	G151745.60	LM16386
01018EP3ERSR215TC	G140109.00	
01018ES1DFD215T	140414.00	
01018ES1DFD215T	140706.00	
01018ES1E215T	140581.00	LM24681
01018ES3EBM215T	G140636.00	
01018ET3E215JM-W22	199782.00	LM32734
01018ET3E215JP-W22	199789.00	
01018ET3E215T	170140.60	
01018ET3E215T		
01018ET3E215TC	170167.60	
01018ET3ERS215T	140451.00	
01018ET3ERS215TC	140522.00	LM15892
01018OP3E215JM	G140619.00	LM16656
01018OP3E215JP	G140668.00	
01018OT3E215JM	199777.00	LM32738
01018OT3E215JP	199785.00	
01018OT3E215T	140472.00	
01018OT3E215T	170144.60	
01018ST3QIE215T	811553.00	
01018XT3E215T	825091.00	
01018XT3E215TC	825075.00	
01036EP3E215JM	G141122.00	LM24799
01036EP3E215JP	G151744.60	
01036EP3ER215TC	G151347.60	LM24720
01036EP3ERSR215TC	G140690.00	
01036ES1E215T	140685.00	LM32869
01036ET3E215JM-W22	199781.00	
01036ET3E215JP-W22	199788.00	
01036ET3E215T	170159.60	LM24209
01036ET3E215TC	170168.60	
01036Et3ERS215T	140755.00	LM16029
01036ET3ERS215TC	140769.00	LM32838
01036ET3H215T	170197.60	LM16391
01036OP3E213JM	G141121.00	
01036OP3E213JP	G140655.00	
01036OT3E213JP	199784.00	LM24683
01036OT3E213T	140753.00	
01036ST3QIE215T	811552.00	
01036XT3E215T	825090.00	LM24194

Competitor Catalog #	LEESON Catalog #	Lincoln Catalog #
0108EP3ER215TC	G151348.60	
01112EP3E160L	193317.60	
01118EP3E160M	193316.60	
01136EP3E160M	193315.60	
0118ES1BRBPF56	111267.00	
0118ES1RFDD56	M009088.00	
0118ES1RFDD56	M009089.00	
01509EP3E286T	G150261.22	
01512EP3E180L	193320.60	
01512ET3E284T	170068.60	
01512ET3E284T		LM24719
01512ET3E284TC	170104.60	
01512OT3E284T	170067.60	
01518EP3E160L	193319.60	LM15878
01518EP3E254JM	G151568.60	LM16750
01518EP3E254JP	G151747.60	LM32804
01518ET3E254JM-W22	199976.00	LM16750
01518ET3E254JP-W22	199999.00	
01518ET3E254T	170066.60	
01518ET3E254T		
01518ET3E254TC	171587.60	
01518ET3H354T	170116.60	
01518OP3E254JP	G801051.00	LM32737
01518OT3E254JP	199987.00	
01518OT3E254T	170065.60	
01518ST3QIE254T	811555.00	
01518XT3E254T	825093.00	LM15675
01518XT3E254TC	825077.00	
01536EP3E160M	193318.60	LM32742
01536EP3E215JM	G140764.00	
01536EP3E215JP	G151746.60	
01536EP3E254JM	G151567.60	
01536ET3E215JM-W22	199975.00	LM24805
01536ET3E254C	171586.60	
01536ET3E254JP-W22	199998.00	LM24722
01536ET3E254T	170062.60	
01536OP3E215JM	G151380.60	
01536OP3E215JP	G140656.00	
01536OT3E215JM	199091.00	LM60036
01536OT3E215JP	199786.00	LM16919
01536OT3E215T	170064.60	LM62026
01536ST3QIE254T	811554.00	LM32809
01536XT3254T	825092.00	LM32841
0158EP3ER254TC	G151350.60	
01812EP3E200L	193323.60	
01818EP3E180M	193322.60	
01836EP3E160L	193321.60	
02009EP3E324T	G150263.22	LM24193
02012ET3E286T	170001.60	
02012ET3E286T		
02012OT3E286T	170000.60	
02018EP3E256JM	G151570.60	
02018EP3E256JP	G151749.60	
02018EP3ER256TC	G151352.60	
02018ET3E256JM-W22	199978.00	
02018ET3E256JP-W22	194119.00	
02018ET3E256T	170007.60	LM24721
02018ET3E256T		
02018ET3E256TC	171589.60	
02018OP3E256JM	G151362.60	LM15861
02018OP3E256JP	G801052.00	LM62025
02018OT3E256JP	199989.00	LM32808
02018OT3E256T	170006.60	LM32840
02018ST2QIE256T	811557.00	LM16389
02018XT3E256T	825095.00	
02018XT3E256TC	825079.00	
02036EP3E254JM	G151569.60	
02036EP3E254JP	G151748.60	LM32740
02036EP3ER256TC	G151351.60	
02036ET3E256JM-W22	199977.00	



Cross Reference

WEG to LEESON® and Lincoln Motors

Competitor Catalog #	LEESON Catalog #	Lincoln Catalog #
02036ET3E256JP-W22	194118.00	LM16301
02036ET3E256T	170033.60	
02036ET3E256TC	171588.60	
02036OP3E254JM	G151381.60	
02036OP3E254JP	G801056.00	
02036OT3E254JM	199965.00	LM24793
02036OT3E254JP	199988.00	LM24793
02036OT3E254T	170032.60	
02036ST3QIE256T	811556.00	
02036XT3E256T	825094.00	LM15793
0208ET3H256T	170117.60	LM32874
02180S1BG56C(W/O MROL)	113281.00	
02212EP3E200L	193326.60	LM31244
02218EP3E180L	193325.60	
02236EP3E180M	193324.60	
0236ET2H256T	170199.60	
02509EP3E326T	150265.22	
02512ET3E324T	170003.60	
02512OT3E324T	170002.60	LM24208
02518EP3E284JM	G151418.60	LM32873
02518EP3E284JP	G151751.60	LM16762
02518EP3ER284TC	G151507.60	LM16400
02518ET3E284JM-W22	199980.00	
02518ET3E284JP-W22	194121.00	
02518ET3E284T	170011.60	LM24190
02518ET3E284T		
02518ET3E284TC	171591.60	
02518ET3H384T	170118.60	
02518OP3E284JM	G801028.00	
02518OP3E384JP	G801053.00	
02518OT3E284JP	199991.00	
02518OT3E284T	170009.60	
02518ST3QIE284T	811559.00	
02518XT3E284TC	825081.00	LM16761
02518XT3H284T	825097.00	
02536EP3E256JM	G151417.60	LM15890
02536EP3E256JP	G151750.60	
02536ET3E284JM-W22	199979.00	
02536ET3E284JP-W22	194120.00	
02536ET3E284TS	170035.60	
02536ET3E284TSC	171590.60	LM32743
02536ET3H284TS	170224.60	
02536OP3E256JM	G151382.60	
02536OP3E256JP	G801057.00	
02536OT3E256JP	199990.00	
02536OT3E256T	170034.60	
02536ST3QIE284TS	811558.00	
02536XT3E284TS	825096.00	
03012EP3E225S/M	193329.60	LM15796
03012ET3E326T	170005.60	LM32877
03012OT3E326T	170004.60	LM30273
03018EP3E286JM	G151422.60	
03018EP3E286JP	G151753.60	
03018EP3ER286TC	G151508.60	
03018ET3E286JM-W22	199982.00	
03018ET3E286JP-W22	194123.00	
03018ET3E286T	170015.60	LM24207
03018ET3E286T		LM32876
03018ET3E286TC	171592.60	LM62032
03018ET3H286T	170119.60	
03018OP3E286JM	G801029.00	
03018OP3E286JP	G801054.00	
03018OT3E286JM	199970.00	LM24199
03018OT3E286JP	199993.00	
03018OT3E286T	170013.60	
03018P3E200L	193328.60	
03018ST3QIE286T	811561.00	
03018XT3E286T	825099.00	
03018XT3E286TC	825082.00	

Competitor Catalog #	LEESON Catalog #	Lincoln Catalog #
03036EP3E200L	193327.60	
03036EP3E284JM	G151420.60	
03036EP3E286JP	G151752.60	LM15673
03036ET3E286JM-W22	199981.00	LM62031
03036ET3E286JP-W22	194122.00	
03036ET3E286TC	170108.60	
03036ET3E286TS	170037.60	
03036ET3H286TS	170228.60	
03036OP3E284JM	G801040.00	LM32745
03036OP3E284JP	G801058.00	
03036OT3E284JM	199969.00	
03036OT3E284JP	199992.00	LM15919
03036OT3E284TS	170036.60	
03036ST2QIE286TS	811560.00	
03036XT3E286TS	825098.00	
03712EP3E205S/M	193332.60	
03718EP3E225S/M	193331.60	LM16403
03736EPE200L	193330.60	
04012ET3E364T	170096.60	LM13696
04012OT3E364T	170147.60	LM13809
04018EP3E324JM	G151426.60	
04018EP3E324JP	G151755.60	
04018ET3E324JM-W22	199984.00	
04018ET3E324JP-W22	194125.00	
04018ET3E324T	170019.60	
04018ET3E324TC	171593.60	LM15792
04018OP3E324JM	G801030.00	LM32879
04018OP3E324JP	G801055.00	LM62035
04018OT3E324JM	199972.00	LM16407
04018OT3E324JP	199995.00	
04018OT3E324T	170017.60	
04018ST3QIE324T	811563.00	
04018XT3E324T	825101.00	LM29576
04018XT3E324TC	825083.00	
04036EP3E286JM	G151424.60	
04036EP3E324JP	G151754.60	
04036ET3E324JM-W22	199983.00	
04036ET3E324JP-W22	194124.00	
04036ET3E324TS	170039.60	
04036ET3E324TSC	170110.60	
04036ET3H324TS	170232.60	LM13960
04036OP3E286JM	G801041.00	LM32659
04036OP3E286JP	G801059.00	LM16406
04036OT3E286JM	199971.00	
04036OT3E286JP	199994.00	
04036OT3E286TS	170038.60	
04036ST3QIE324TS	811562.00	LM32747
04036XT3E324TS	825100.00	
047018EP3ER324TC	G151509.60	
05012ET3E365T	170097.60	
05012ET3E365T		LM60048
05012OT3E365T	170148.60	LM13810
05018EP3ER326TC	G151510.60	
05018ET3E326JM-W22	199986.00	
05018ET3E326JP-W22	194127.00	
05018ET3E326T	170023.60	
05018ET3E326T		
05018ET3E326TC	171594.60	LM13964
05018ET3H326T	170121.60	LM32882
05018OT3E326JM	199974.00	LM16744
05018OT3E326JP	199997.00	LM19595
05018OT3E326T	170021.60	
05018ST3QIE326T	811564.00	
05018XT3E326T	825103.00	
05018XT3E326TC	825084.00	
05036EP3E324JP	G151756.60	LM29577
05036ET3326TS		
05036ET3E326JM-W22	199985.00	
05036ET3E326JP-W22	194126.00	
05036ET3E326TS	170041.60	

Gearmotors

AC / DC Controls

Accessories / Kits

Mods / Factory Options

X-Ref / Index

Tech Information

Warnings/Cautions



Cross Reference

WEG to LEESON® and Lincoln Motors

Gearmotors

AC / DC Controls

Accessories / Kits

Mods / Factory Options

X-Ref / Index

Tech Information

Warnings/Cautions

Competitor Catalog #	LEESON Catalog #	Lincoln Catalog #
05036ET3E326TSC	170112.60	
05036OP3E324JM	G801042.00	
05036OP3E324JP	G801060.00	
05036OT3E324JM	199973.00	
05036OT3E324JP	199996.00	
05036OT3E324TS	170040.60	LM16773
05036ST3QIE326TS	811564.00	LM60046
05036XT3E326TS	825102.00	LM20085
06012ET3E404T	170098.60	
06012OT3E404T	170149.60	
06016ST3QIE364T	811567.00	
06018ET3E364T	170027.60	
06018ET3E364TC	171595.60	LM32687
06018ET3H364T	170239.60	
06018OT3E364T	170025.60	
06018XT3E364T	825105.00	
06036ET3E364TS	170043.60	
06036ET3E364TSC	170114.60	
06036OT3E326TS	170042.60	LM13918
06036ST3QIE364TS	811566.00	LM13924
06036XT3E364TS	825104.00	
07512ET3E405T	170099.60	
07512OT3E405T	170150.60	
07518ET3E365T	170031.60	
07518ET3E365T		LM13699
07518ET3EE365TC	171596.60	LM62041
07518ET3H365T	170244.60	
07518OT3E365T	170029.60	
07518ST3QIE365T	811569.00	
07518XT3E365T	825107.00	
07536ET3E365TS	170045.60	LM13811
07536ET3E365TSC	171115.60	
07536OT3E364TS	170044.60	
07536ST3QIE365TS	811568.00	
07536XT3E365TS	825106.00	
10012ET3E444T	170256.60	
10012OT3E444T	170255.60	
10018ET3E405T	170087.60	
10018ET3E405T		LM19749
10018ET3E405TC	171597.60	LM13725
10018ET3H405T	170253.60	LM14407
10018OT3E404T	170152.60	
10018ST3QIE405T	811571.00	
10018XT3E405T	825109.00	
10036ET3E405T		
10036ET3E405TS	170160.60	LM13969
10036OT3E365TS	170151.60	
10036ST3QIE405TS	811570.00	
10036XT3E495TS	825108.00	
12512ET3E445T	170260.60	LM19754
12512OT3G445T	170259.60	LM32888
12518ET3E444T	170369.60	LM13927
12518ET3G444T		
12518OT3E405T	170155.60	
12518XT3E444T	825111.00	
12536ET3G444TS	171580.60	LM19753
12536OT3E404TS	170154.60	LM32887
12536XT3G444TS	825110.00	LM62044
15012ET3G447T	171315.60	LM14411
15012OT3G445T	171576.60	
15018ET3G445T	170371.60	
15018ET3G445T		LM13813
15018OT3G444T	171522.60	
15018XT3E445T	825113.00	
15036ET3G445TS	171578.60	
15036OT3G405TS	171449.60	
15036XT3G4445TS	825112.00	LM32685
20012ET3G447T	171316.60	
20012OT3G447/9T	171577.60	
20018ET3G447T	170352.60	LM60052

Competitor Catalog #	LEESON Catalog #	Lincoln Catalog #
20018ET3G447T		LM13727
20018OT3G445T	171523.60	
20036ET3G447TS	171579.60	
20036OT3G444TS	171573.60	
250180P3G445T	G151524.60	
25018ET3G447T		LM13812
300180P3G447/9T	G151525.60	
350180P3G447/9T	G151518.60	
518OS1CCDOL184T	131622.00	LM13938
EP3ESS56C	191414.00	LM13944
PCJ105H	MT1052.00	
PCJ107H	MT1072.00	LM14809
PCJ110H	MT1102.00	LM62047
PCJ115H	MT1152.00	LM18369
PCJ120H	MT1202.00	LM14813
PCQ105H	MST1052.00	
PCQ107H	MST1072.00	LM14808
PCQ110H	MST1102.00	LM15562
PCQ120H	MST1202.00	LM13814
PCQ150H	MST1152.00	
PCQ120H	MST1202.00	
PCQ150H	MST1152.00	LM60060



Cross Reference

AC Sub-FHP Gearmotor Cross Reference

Gearmotors

AC / DC Controls

Accessories / Kits

Mots / Factory Options

X-Ref / Index

Tech Information

Warnings/Cautions

PZ SERIES DC GEARMOTORS: Parallel Shaft

Output RPM	F.L. Torque (lb.in.)	Input HP	LEESON Catalog No.	Cross Reference			
				Dayton	Bodine	Baldor	Bison
4	100	1/40	M1115002	6Z911	199	—	011-190-0362
			M1125046	—	—	—	—
10	100	1/20	M1115001	6Z912	198	GPP231108	011-190-0186
			M1125047	—	—	—	—
20	100	1/20	M1115000	6Z913	196	GPP232110	011-190-0096
			M1125048	—	—	GPP233120	—
30	100	1/17	M1125002	6Z914	190	GPP233112	011-190-0072
			M1125037	—	—	—	—
60	56	1/17	M1125003	6Z914	—	GPP233111	011-190-0025
			M1125036	—	—	GPP233121	—
100	36	1/17	M1125004	—	189	GPP12503	011-190-0019
			M1125035	—	—	—	—
150	24	1/17	M1125005	6Z916	188	—	011-190-0013
			M1125034	—	—	—	—
300	10	1/17	M1125006	—	157	—	011-190-0007
			M1125033	—	—	—	—

P300 SERIES DC GEARMOTORS: Parallel Shaft

Output RPM	F.L. Torque (lb.in.)	Input HP	LEESON Catalog No.	Cross Reference			
				Dayton	Bodine	Baldor	Bison
5	353	1/20	M1115024	6A193	—	—	011-336-1369
9	268	1/20	M1115025	6A194	4147	GPP233141	011-336-1208
18	150	1/20	M1115026	4Z134	4146	GPP233140	011-336-1091
24	280	1/8	M1125069	4Z130	4156	—	011-336-2082
31	220	1/8	M1125070	4Z383	4155	GPP12547	011-336-2060
34	82	1/20	M1115027	4Z133	—	GPP233112	011-336-1053
51	130	1/8	M1125071	4Z129	4154	—	011-336-2036
51	55	1/20	M1115028	4Z132	—	GPP233111	011-336-1030
61	113	1/8	M1125072	4Z382	4154	GPP12545	011-336-2028
94	77	1/8	M1125073	4Z381	4153	GPP12544	011-336-2019
109	27	1/20	M1115029	4Z131	—	—	011-336-1017
170	43	1/8	M1125074	4Z128	4151	GPP12542	011-336-2011

P1100 SERIES DC GEARMOTORS: Parallel Shaft

Output RPM	F.L. Torque (lb.in.)	Ratio to 1	Input HP	LEESON Catalog No.	Cross Reference	
					Dayton	Bison
8	1087	212	1/4	108700	6Z406	011-483-4197
12	1030	143	1/4	108701	6Z407	011-483-4131
18	750	95	1/4	108702	6Z408	011-483-4087
42	353	42	1/4	108703	6Z409	011-483-4041
60	238	29	1/4	108704	6Z410	011-483-4028
92	160	19	1/4	108705	6Z411	011-483-4018
135	105	13	1/4	108706	6Z412	011-483-4012
18	1112	95	1/2	108707*	6Z413	011-483-2087
33	882	53	1/2	108708*	6Z414	011-483-2058
42	705	42	1/2	108709*	6Z415	011-483-2041
60	476	29	1/2	108710*	6Z416	011-483-2028
92	320	19	1/2	108711*	6Z417	011-483-2018
135	210	13	1/2	108712*	6Z418	011-483-2012

* Indicates TEFC design, others are TENV

Application Notes:

P1100 DC gearmotors have the same mounting dimensions as Bison 483 gearmotors and Dayton gearmotors. For additional information, see Bulletin 1830.

This information is furnished as a guide only. Always check specific motor to determine suitability for direct replacement.

RIGHT-ANGLE DC GEARMOTORS

Output RPM	F.L. Torque (lb.in.)	Input HP	LEESON Catalog No.	Cross Reference		
				Dayton	Bodine	Baldor
42	30	1/17	M1115018	—	99	—
62	35	1/17	M1115019	—	98	GP233003~
125	20	1/17	M1115020	—	96	GP233007~
250	11	1/17	M1115021	—	94	—
500	6	1/17	M1115022	—	93	—
42	80	1/8	M1135069	6A192	—	GP7403~
62	70	1/8	M1135038	4Z137	4144	GP7402~
				—	6144	—
125	45	1/8	M1135039	—	4142	—
				—	6142	—
250	25	1/8	M1135040	—	4141	—
500	13	1/8	M1135041	—	4140	—
62	135	1/4	M1135042	1L498	4138	GP7405~
				—	—	GP7425~
83	125	1/4	M1135043	1L499	4137	GP7407~
				—	—	GP7427~
125	90	1/4	M1135044	—	4136	—
250	50	1/4	M1135045	—	4135	—
500	30	1/4	M1135046	—	4134	—

~Mounting base and output shaft height are not 'drop-in' replacement.

Some Dayton and all Baldor right-angle gearmotors have double output shafts.

PE350 SERIES DC GEARMOTORS: Parallel Shaft

Output RPM	F.L. Torque (lb.in.)	Input HP	LEESON Catalog No.	Baldor	Cross Reference		
					Bodine	Bison	Dayton
7	330	1/8	M1135106	GPP7459	4175	011-348-7215	6ML63
				GPP7479	—	—	6ML64
14	341	1/8	M1135107	GPP7462	4174	011-348-7102	6ML65
				GPP7478	—	—	6ML66
21	371	1/4	M1135117	GPP7457	4173	—	6ML67
				GPP7477	—	—	6ML68
27	305	1/4	M1135115	GPP7461	—	—	6ML69
				M1135142	—	—	6ML70
42	280	1/4	M1135108	GPP7456	4185	011-348-7041	6ML71
				GPP7476	—	—	6ML72
50	250	1/4	M1135109	GPP7460	—	011-348-7034	6ML73
				M1135144	—	—	6ML74
62	220	1/4	M1135110	GPP7455	4184	011-348-7029	6ML75
				GPP7475	—	—	6ML51
83	155	1/4	M1135114	GPP7454	4183	—	6ML52
				GPP7474	—	—	6ML53
125	100	1/4	M1135111	GPP7453	4182	—	6ML54
				GPP7473	—	—	6ML55
165	70	1/4	M1135112	GPP7452	4181	—	6ML56
				GPP7472	—	—	6ML57
250	45	1/4	M1135116	GPP7451	4180	—	6ML58
				GPP7471	—	—	6ML59
500	25	1/4	M1135113	GPP7450	4179	—	6ML60
				M1135150	GPP7470	—	—

Baldor is believed to be the trademark or trade name of ABB Asea Brown Boveri, Ltd.

Bison is believed to be the trademark or trade name of Bison Gear & Engineering Corporation.

Bodine is believed to be the trademark or trade name of Bodine Electric Company.

Dayton is a trademark or trade name of Dayton Electric Manufacturing. All Rights Reserved.



Always check cross reference motor design and outline information to determine suitability for direct replacement, at www.leeson.com

Cross Reference

AC Sub-FHP Gearmotor Cross Reference

Gearmotors

AC / DC Controls

Accessories / Kits

Mods / Factory Options

X-Ref / Index

Tech Information

Warnings/Cautions

PZ SERIES AC GEARMOTORS: Parallel Shaft

Output RPM	F.L. Torque (lb.in.)	Input HP	LEESON Catalog No.	Cross Reference			
				Dayton	Bodine	Baldor	Bison
2	100	1/150	M1125050	6Z074	—	—	016-103-2362
9	100	1/15	M1125127*	6Z076	0449	GCP24114	016-103-2186
19	100	1/15	M1125128*	6Z081	0448	GCP24122	016-103-1096
28	100	1/15	M1125129*	6Z082	0455	GCP24124	—
57	56	1/15	M1125130*	6Z083	0454	GCP24134	016-103-1025
94	36	1/15	M1125131*	6A197	0453	—	016-103-1019
142	24	1/15	M1125132*	—	0452	—	016-103-1013
283	12	1/15	M1125133*	—	0451	—	—

* These motors are TEFC.

P240 SERIES AC GEARMOTORS: Parallel Shaft

Output RPM	F.L. Torque (lb.in.)	Input HP	LEESON Catalog No.	Cross Reference			
				Dayton	Bodine	Baldor	Bison
8	345	1/15	M1145029	6Z816	0476	GCP24004	016-226-6215
15	250	1/15	M1145023	4Z518	0485	—	—
16	391	1/6	M1145030	6Z817	0485	—	016-226-6102
30	135	1/15	M1145024	4Z519	—	—	—
30	295	1/6	M1145031	6Z818	0484	—	016-226-6058
40	219	1/6	M1145032	6Z819	0483	GCP25052	016-226-6036
45	92	1/15	M1145025	4Z520	—	—	—
60	157	1/6	M1145033	6Z820	0482	GCP25054	016-226-6028
70	61	1/15	M1145026	4Z521	—	—	—
90	103	1/6	M1145034	6Z821	0481	GCP25056	016-226-6019
97	43	1/15	M1145027	4Z522	—	—	—
139	30	1/15	M1145028	4Z523	0480	—	—
156	60	1/6	M1145035	6Z822	—	GCP25060	016-226-6011

PE350 SERIES AC GEARMOTORS • SINGLE PHASE: Parallel Shaft

Output RPM	F.L. Torque (lb.in.)	Input HP	LEESON Catalog No.	Cross Reference			
				Baldor	Bodine	Bison	Dayton
5	310	1/12	096000	—	0671	016-246-6254	6MK70
9	341	1/12	096001	—	0669	016-246-6170	6MK71
14	330	1/12	096002	GCP9320	0636*	—	6MK72
19	250	1/12	096003	GCP9322	0635*	016-246-6082	6MK73
29	270	1/6	096004	—	0685	016-246-6058	6MK74
34	250	1/6	096005	—	—	—	6MK75
40	180	1/6	096006	—	0654*	—	6MK76
59	135	1/6	096007	GCP3305	0683	016-246-6028	6MK77
75	90	1/6	096008	—	0681	016-246-6023	6MK78
113	68	1/6	096009	—	0651*	016-246-6015	6MK79
160	45	1/6	096010	GCP3315	0680	016-246-6011	6MK80
340	25	1/6	096011	GCP3320	0679	016-246-6005	6MK81

* Split Phase Type

PE350 HIGHTORQUE • SINGLE PHASE: Cap Start

Output RPM	F.L. Torque (lb.in.)	Input HP	LEESON Catalog No.	Cross Reference			
				Baldor	Bodine	Bison	Dayton
58	320	1/3	096049	GLP3330	0664*	—	—
85	218	1/3	096050	GLP3332	0663*	—	—
173	109	1/3	096051	GLP3336	0662*	—	—
345	55	1/3	096052	GLP3338	0662*	—	—

* Split Phase Type

PE350 SERIES AC GEARMOTORS • THREE PHASE: Parallel Shaft

Output RPM	F.L. Torque (lb.in.)	Input HP	LEESON Catalog No.	Cross Reference			
				Baldor	Bodine	Bison	Dayton
58	320	1/3	096013	GMP3330	0666	017-246-0029	6MK82
85	218	1/3	096014	GMP3332	0642	017-246-0019	6MK83
173	109	1/3	096015	GMP3336	0665	017-246-0011	6MK84
345	55	1/3	096016	GMP3338	—	017-246-0005	6MK85

This information is furnished as a guide only. Always check specific motor to determine suitability for direct replacement.

P1100 SERIES AC GEARMOTORS • SINGLE PHASE: Parallel Shaft

Output RPM	F.L. Torque (lb.in.)	Ratio to 1	Input HP	LEESON Catalog No.	Cross Reference	
					Dayton	Bison*
8	975	212	1/4	107000	6Z400	014-482-4211
12	1030	143	1/4	107004	6K351	014-482-4143
18	800	95	1/4	107003	6Z401	014-482-4095
26	569	66	1/4	107002	6K352	—
59	248	29	1/4	107005	6K353	014-482-4029
133	114	13	1/4	107001	6K354	014-482-4011
18	1089	95	1/3	107006	6Z402	014-482-3095
26	752	66	1/3	107012	6K396	014-482-3066
41	461	42	1/3	107011	2Z842	014-482-3042
59	330	29	1/3	107010	6K369	014-482-3029
91	224	19	1/3	107009	2Z843	014-482-3019
157	125	11	1/3	107008	2Z844	014-482-3011
288	70	6	1/3	107007	2Z845	014-482-3006
22	1105	79	1/2	107013	6Z403	—
41	700	42	1/2	107017	6K375	014-482-2042
59	496	29	1/2	107016	6K583	014-482-2029
91	336	19	1/2	107015	6K383	014-482-2019
133	229	13	1/2	107014	6K506	014-482-2011

* Bison units are split phase design.

P1100 SERIES AC GEARMOTORS • THREE PHASE: Parallel Shaft

Output RPM	F.L. Torque (lb.in.)	Ratio to 1	Input HP	LEESON Catalog No.	Cross Reference	
					Dayton	Bison
18	1089	95	1/3	107025	6Z404	—
26	752	66	1/3	107026	4Z384	—
41	461	42	1/3	107027	4Z385	—
59	330	29	1/3	107028	4Z386	—
91	224	19	1/3	107029	4Z387	—
157	125	11	1/3	107030	4Z388	—
288	70	6	1/3	107031	4Z389	—
22	1105	79	1/2	107032	6Z405	017-482-0095
41	700	42	1/2	107033	4Z390	017-482-0042
59	496	29	1/2	107034	4Z391	017-482-0029
91	336	19	1/2	107035	4Z392	017-482-0019
133	229	13	1/2	107036	4Z393	017-482-0011
288	100	6	1/2	107037	4Z394	017-482-0006

Application Notes:

P1100 AC gearmotors have the same mounting dimensions as Bison 482 gearmotors and Dayton gearmotors. For additional information, see Bulletin 1830.

RIGHT-ANGLE AC GEARMOTORS

Output RPM	F.L. Torque (lb.in.)	Input HP	LEESON Catalog No.	Cross Reference			
				Dayton	Bodine	Baldor	Bison
28	37	1/15	M1125080	IL536	0492	—	—
43	34	1/15	M1125081	IL538	0491	GC24310-	—
58	40	1/15	M1125082	IL535	0487	—	—
85	24	1/15	M1125083	IL534	0490	GC24306-	—
173	14	1/15	M1125084	IL533	0488	GC24302-	—
29	110	1/6	M1145037	IL501	—	—	—
43	113	1/6	M1145038	IL502	0678	GC25020-	—
57	95	1/6	M1145082	IL503	—	GC25015-	026-756-8030
83	75	1/6	M1145039	IL504	0677	GC25010-	026-756-8020
170	43	1/6	M1145040	IL505	0672	—	026-756-8010
340	23	1/6	M1145041	—	0670	—	026-756-8005

~Mounting base and output shaft height are not 'drop-in' replacement. Some Dayton and all Baldor right-angle gearmotors have double output shafts.

Baldor is believed to be the trademark or trade name of ABB Asea Brown Boveri, Ltd.

Bison is believed to be the trademark or trade name of Bison Gear & Engineering Corporation.

Bodine is believed to be the trademark or trade name of Bodine Electric Company.

Dayton is a trademark or trade name of Dayton Electric Manufacturing. All Rights Reserved.

Always check cross reference motor design and outline information to determine suitability for direct replacement, at www.leeson.com



LEESON® Catalog Number Index

Motors, Sub-FHP Gearmotors, Drives and Accessories

Catalog No.	Page #	List \$
970.576	303, 320	228
970.577	303, 320	235
970.600	303, 320	228
970.601	303, 320	228
970.620	303, 320	247
970.621	303, 320	247
980.143	303, 320	198
980.159	303, 320	198
980.549	303, 320	189
003042.02	357	57
003042.04	357	67
003042.05	357	57
003042.06	357	51
003043.01	357	57
003043.05	357	51
006707.01	389	63
006708.01	365, 389	66
092011.00	34	363
092012.00	34	385
092013.00	34	390
092014.00	78	442
092015.00	78	484
092016.00	78	468
092111.00	27	338
092112.00	27	389
092114.00	27	350
092116.00	27	384
096000.00	351	804
096001.00	351	804
096002.00	351	804
096003.00	351	804
096004.00	351	845
096005.00	351	845
096006.00	351	845
096007.00	351	797
096008.00	351	797
096009.00	351	797
096010.00	351	797
096011.00	351	797
096013.00	351	928
096014.00	351	872
096015.00	351	872
096016.00	351	872
096049.00	351	935
096050.00	351	878
096051.00	351	878
096052.00	351	878
096065.00	359	739
096066.00	359	745
096067.00	359	745
096068.00	359	732
096069.00	359	732
096070.00	359	732
098000.00	306	785
098002.00	306	666
098003.00	306	666
098004.00	306	706
098005.00	306	706
098006.00	306	706
098007.00	306	706
098008.00	306	785
098009.00	306	846
098010.00	306	846
098014.00	299, 313	623
098015.00	299, 313	706
098016.00	299, 313	665
098017.00	299, 313	765

Catalog No.	Page #	List \$
098032.00	306	954
098040.00	159, 309	895
098065.00	302, 318	677
098066.00	302, 318	700
098067.00	302, 318	741
098069.00	306	954
098375.00	159, 309	854
098376.00	159, 309	903
098377.00	307	642
098378.00	307	684
098379.00	307	762
098380.00	307	931
098381.00	316	741
098382.00	316	716
100000.00	17	374
100001.00	17	440
100002.00	17	496
100003.00	17	606
100004.00	17	522
100005.00	17	623
100010.00	24, 213	472
100011.00	24, 213	508
100012.00	25, 214	629
100015.00	24, 213	480
100018.00	20	459
100019.00	20	519
100020.00	20	507
100021.00	20	626
100023.00	20	365
100045.00	24, 213	460
100046.00	25, 214	629
100047.00	25, 214	526
100048.00	46	362
100052.00	17	365
100053.00	17, 251	460
100054.00	20	363
100055.00	20	475
100063.00	24, 213	387
100064.00	24, 213	462
100065.00	25, 214	521
100109.00	24, 213	387
100110.00	24, 213	472
100111.00	24, 213	334
100115.00	17	327
100116.00	17	374
100123.00	78	367
100145.00	54	492
100204.00	119	356
100205.00	119	469
100207.00	119	343
100208.00	119	446
100210.00	54	429
100336.00	17	306
100355.00	20	338
100361.00	34	374
100362.00	34	359
100366.00	34	412
100443.00	78	407
100449.00	64	440
100486.00	64	497
100588.00	17	442
100599.00	48	413
100603.00	25, 114	468
100604.00	196, 217, 226	447
100699.00	196, 217, 226	363
100700.00	196, 217, 226	412
100701.00	196, 217, 226	442

Catalog No.	Page #	List \$
100704.00	255	593
100722.00	119	506
100723.00	119	468
100767.00	196, 217	457
100768.00	196, 217	470
100796.00	54, 216	572
100802.00	255	593
100803.00	196, 217	381
100804.00	196, 217	396
100805.00	196, 217	477
100806.00	196, 217	502
100824.00	196, 217	431
100825.00	196, 217	468
100905.00	57	421
100908.00	54, 216	620
100913.00	57	449
100955.00	27	414
100956.00	27	474
100960.00	57	462
100961.00	57	501
101013.00	78	352
101015.00	24, 213	387
101020.00	218	409
101021.00	218	520
101051.00	237	467
101079.00	57	392
101119.00	206	812
101120.00	206	695
101159.00	206	617
101176.00	196, 217, 226	453
101252.00	196, 217, 226	363
101253.00	196, 217, 226	412
101291.00	64	635
101341.00	207, 229	467
101405.00	23, 215	507
101423.00	17	395
101431.00	24, 213	339
101432.00	24, 213	374
101433.00	25, 214	439
101434.00	24, 213	329
101446.00	27	430
101520.00	54, 216	521
101521.00	20	396
101522.00	20	448
101523.00	20	620
101544.00	17, 215	665
101585.00	23, 215	580
101602.00	23, 215	429
101611.00	24, 213	508
101637.00	121	453
101638.00	121	502
101639.00	54, 216	393
101640.00	54, 216	472
101641.00	54, 216	576
101643.00	206	751
101644.00	206	808
101645.00	196, 217	505
101646.00	57	357
101647.00	57	427
101648.00	64	380
101649.00	78	367
101765.00	30	426
101766.00	30	459
101767.00	64	380
101769.00	64	407
101775.00	121	505
101776.00	121	453

Gearmotors

AC / DC Controls

Accessories / Kits

Mods / Factory Options

X-Ref / Index

Tech Information

Warnings/Cautions



LEESON® Catalog Number Index

Motors, Sub-FHP Gearmotors, Drives and Accessories

Gearmotors

AC / DC Controls

Accessories / Kits

Mods / Factory Options

X-Ref / Index

Tech Information

Warnings/Cautions

Catalog No.	Page #	List \$
101780.00	64	612
101781.00	254	582
101782.00	254	598
101839.00	25, 214	629
101965.00	64	448
101966.00	64	387
101981.00	64	387
102012.00	27	381
102013.00	27	540
102014.00	27	374
102015.00	27	575
102016.00	27	357
102017.00	255	529
102018.00	27	474
102019.00	27	634
102020.00	27	407
102021.00	255	593
102024.00	68	626
102183.00	245	539
102184.00	246	509
102197.00	121	357
102198.00	121	376
102199.00	121	393
102661.00	30	374
102662.00	64	342
102663.00	30	440
102664.00	64	394
102665.00	30	513
102666.00	64	475
102684.00	57	359
102685.00	245	480
102686.00	245	478
102687.00	246	503
102688.00	245	576
102689.00	246	551
102690.00	245	554
102691.00	246	583
102692.00	245	651
102693.00	245	602
102694.00	246	648
102695.00	46	456
102696.00	64	571
102697.00	68	581
102792.00	81	367
102793.00	81	417
102794.00	81	456
102795.00	81	509
102860.00	64	475
102861.00	64	495
102862.00	30	526
102863.00	64	418
102864.00	30	409
102865.00	30	557
102866.00	30	424
102867.00	30	456
102868.00	30	424
102869.00	30	480
102870.00	30	363
102871.00	30	549
102872.00	30	435
102873.00	30	363
102903.00	32	431
102904.00	27	434
102905.00	27	405
102906.00	27	470
102907.00	32	553
102908.00	27	564

Catalog No.	Page #	List \$
102909.00	27	551
102910.00	32	460
102911.00	34	469
102912.00	34	414
102913.00	34	473
102914.00	34	378
102915.00	34	426
102916.00	32	433
102917.00	68	525
102918.00	78	473
102919.00	68	525
102920.00	78	405
102921.00	68	456
102922.00	68	454
102929.00	32	430
102930.00	32	460
102931.00	27	412
102932.00	27	486
102933.00	27	470
102963.00	213	387
102964.00	213	472
102965.00	213	508
102966.00	214	629
103014.00	46	329
103019.00	57	573
103020.00	57	608
103082.00	32	460
103083.00	22	435
103084.00	22	526
103085.00	32	553
103086.00	22	609
103387.00	177	1,408
103388.00	177	1,460
103389.00	178	1,391
103390.00	178	1,423
103393.00	178	1,191
103394.00	178	1,216
103395.00	182, 296	1,455
103396.00	182, 296	1,504
103397.00	182, 296	1,455
103398.00	182, 296	1,504
103399.00	182, 296	1,595
103400.00	182, 296	1,504
103401.00	182, 296	1,662
103402.00	182, 296	1,722
103403.00	182, 296	1,455
103404.00	182, 296	1,504
103405.00	182, 296	1,455
103406.00	182, 296	1,504
103407.00	182, 296	1,595
103408.00	182, 296	1,480
103409.00	182, 296	1,526
103410.00	182, 296	1,627
103411.00	187	1,555
103412.00	187	1,654
103413.00	188	1,460
103414.00	188	1,549
103417.00	188	1,577
103418.00	188	1,642
103460.00	255	439
103520.00	124	210
103521.00	124	224
103522.00	124	251
103523.00	124	301
103530.00	124	221
103531.00	124	230
103711.00	223	278

Catalog No.	Page #	List \$
103712.00	223	278
103713.00	223	308
103714.00	223	308
103715.00	223	305
103716.00	223	305
103717.00	223	345
103718.00	223	345
103719.00	223	351
103720.00	223	351
103721.00	223	399
103722.00	223	399
103723.00	121	389
103724.00	121	422
103725.00	121	498
103726.00	121	435
103727.00	121	513
103756.00	92	498
103757.00	92	588
103758.00	92	707
103759.00	92	756
103760.00	92	820
103761.00	92	1,320
103782.00	220	434
103783.00	220	402
103794.00	255	537
103795.00	221	299
103796.00	221	346
103797.00	221	278
103821.00	255	603
103878.00	207, 229	504
104008.00	92	997
107000.00	353	1,134
107001.00	353	1,108
107002.00	353	1,134
107003.00	353	1,134
107004.00	353	1,134
107005.00	353	1,108
107006.00	353	1,146
107007.00	353	1,123
107008.00	353	1,123
107009.00	353	1,123
107010.00	353	1,123
107011.00	353	1,123
107012.00	353	1,146
107013.00	353	1,249
107014.00	353	1,225
107015.00	353	1,225
107016.00	353	1,225
107017.00	353	1,225
107025.00	353	1,220
107026.00	353	1,220
107027.00	353	1,193
107028.00	353	1,193
107029.00	353	1,193
107030.00	353	1,193
107031.00	353	1,193
107032.00	353	1,287
107033.00	353	1,268
107034.00	353	1,268
107035.00	353	1,268
107036.00	353	1,268
107037.00	353	1,268
108014.00	306	824
108015.00	306	824
108016.00	306	890
108017.00	306	890
108018.00	306	1004



LEESON® Catalog Number Index

Motors, Sub-FHP Gearmotors, Drives and Accessories

Catalog No.	Page #	List \$
108019.00	306	1004
108020.00	306	954
108021.00	306	954
108022.00	306	1,168
108023.00	306	1,168
108045.00	316	713
108046.00	316	784
108047.00	316	816
108048.00	316	899
108050.00	316	751
108051.00	316	778
108052.00	316	815
108053.00	316	987
108092.00	306	1,458
108226.00	159, 309	1013
108227.00	159, 309	1013
108228.00	159, 309	1,229
108229.00	159, 309	1,229
108230.00	159, 309	1,497
108231.00	159, 309	1,497
108232.00	159, 309	1,913
108262.00	306	1,458
108265.00	306	1,413
108266.00	306	2,214
108322.00	316	1,072
108369.00	299, 313	874
108370.00	299, 313	1,079
108371.00	299, 313	1,424
108372.00	299, 313	874
108373.00	299, 313	967
108407.00	159, 309	1,213
108423.00	159, 309	854
108424.00	159, 309	903
108455.00	302, 318	951
108456.00	302, 318	814
108457.00	302, 318	903
108458.00	302, 318	1,039
108502.00	306	3,681
108700.00	335	1,338
108701.00	335	1,338
108702.00	335	1,338
108703.00	335	1,305
108704.00	335	1,305
108705.00	335	1,305
108706.00	335	1,305
108707.00	335	1,446
108708.00	335	1,446
108709.00	335	1,419
108710.00	335	1,419
108711.00	335	1,419
108712.00	335	1,419
108729.00	335	1,367
108730.00	335	1,337
108731.00	335	1,446
108732.00	335	1,446
109065.00	183, 321	1,420
109066.00	183, 321	1,501
109067.00	183, 321	1,501
109068.00	184, 297, 322	1,501
109069.00	183, 321	1,754
109070.00	183, 321	1,754
109071.00	184, 297, 322	1,754
109072.00	183, 321	2,136
109073.00	183, 321	2,136
109074.00	184, 297, 322	2,136
109075.00	183, 321	2,478
109076.00	183, 321	2,478

Catalog No.	Page #	List \$
109077.00	184, 297, 322	2,478
109078.00	183, 321	1,386
109079.00	183, 321	1,468
109080.00	183, 321	1,468
109081.00	184, 297, 322	1,468
109082.00	183, 321	1,722
109083.00	183, 321	1,722
109084.00	184, 297, 322	1,722
109085.00	183, 321	2,103
109086.00	183, 321	2,103
109087.00	184, 297, 322	2,103
109088.00	183, 321	2,447
109089.00	183, 321	2,447
109090.00	184, 297, 322	2,447
109096.00	307	1,142
109097.00	307	1,142
109098.00	306	866
109099.00	306	910
109100.00	306	1,229
109101.00	316	946
109102.00	316	912
109103.00	316	1,440
109104.00	316	1,422
109105.00	316	1,373
109106.00	316	1,803
109107.00	316	1,667
109108.00	316	1,602
109296.00	317	854
109297.00	317	903
109298.00	317	1,013
109299.00	317	983
109300.00	317	1,229
109301.00	317	1,197
109302.00	317	1,497
109303.00	317	1,453
109304.00	317	1,913
110000.00	18	648
110004.00	18	573
110006.00	18	812
110007.00	25, 214	681
110009.00	27	634
110011.00	27	902
110013.00	28	564
110017.00	28	688
110018.00	28	770
110019.00	28	915
110022.00	28, 35, 251	659
110023.00	28, 35, 251	745
110025.00	35, 315	576
110026.00	35, 315	690
110034.00	57	478
110036.00	20	650
110037.00	21	782
110040.00	30	660
110041.00	31	752
110042.00	31	846
110047.00	64	515
110054.00	25, 214	666
110057.00	30	626
110058.00	31	720
110059.00	28	531
110064.00	244	661
110065.00	244	756
110066.00	244	910
110086.00	193	572
110087.00	193	676
110088.00	193	777

Catalog No.	Page #	List \$
110089.00	193	866
110090.00	193	1,242
110094.00	28	697
110097.00	18, 251	475
110108.00	28, 35, 251, 253	485
110109.00	28, 35, 251, 253	816
110110.00	18	623
110111.00	46	492
110112.00	65	542
110142.00	28, 35, 251, 253	593
110143.00	78	407
110144.00	64	440
110145.00	58	540
110160.00	249	470
110161.00	249	516
110163.00	64	687
110167.00	18	673
110176.00	239	496
110177.00	239	532
110178.00	237	496
110180.00	32	566
110181.00	68	586
110182.00	68	457
110199.00	237	467
110209.00	28	647
110220.00	20	617
110222.00	249	603
110232.00	249	538
110253.00	28	735
110275.00	57	665
110276.00	28	456
110288.00	119	665
110289.00	119	857
110292.00	119	650
110308.00	30	650
110313.00	57	462
110352.00	29	909
110353.00	57	665
110354.00	237	471
110362.00	18	846
110363.00	18	812
110388.00	21	745
110394.00	243	494
110395.00	243	626
110396.00	243	751
110397.00	243	827
110398.00	243	933
110400.00	28	1,044
110402.00	29, 35, 251	952
110411.00	30	927
110412.00	30	499
110413.00	30	480
110414.00	30	1,044
110415.00	31	616
110416.00	31	562
110418.00	31	757
110419.00	31	722
110420.00	31	812
110421.00	31	952
110422.00	31	919
110423.00	244	576
110424.00	244	1,031
110433.00	54	660
110441.00	57	616
110446.00	64	378
110448.00	64	462
110478.00	25, 214	540

Gearmotors

AC / DC Controls

Accessories / Kits

Mods / Factory Options

X-Ref / Index

Tech Information

Warnings/Cautions



LEESON® Catalog Number Index

Motors, Sub-FHP Gearmotors, Drives and Accessories

Gearmotors

AC / DC Controls

Accessories / Kits

Mods / Factory Options

X-Ref / Index

Tech Information

Warnings/Cautions

Catalog No.	Page #	List \$
110479.00	25, 214	695
110492.00	195	744
110493.00	195	871
110494.00	195	987
110495.00	195	1,122
110579.00	25, 214	824
110669.00	275	1,016
110670.00	275	1,141
110671.00	275	1,336
110714.00	237	428
110715.00	237	551
110852.00	106	1,268
110902.00	48	638
110905.00	32	667
110908.00	32	755
110909.00	32	734
110910.00	32	897
110914.00	68	707
110915.00	68	494
110916.00	68	565
110934.00	106	1,066
110961.00	106	1,210
111074.00	106	819
111075.00	106	903
111084.00	106	903
111085.00	106	1,002
111086.00	106	1,111
111095.00	106	861
111096.00	106	1,002
111097.00	106	934
111098.00	106	871
111147.00	221	853
111148.00	221	931
111202.00	196, 217, 226	475
111266.00	196, 217	624
111267.00	196, 217	698
111275.00	249	750
111309.00	41	633
111310.00	42	832
111311.00	54, 216	644
111321.00	196, 217	592
111322.00	196, 217	671
111323.00	196, 217	570
111324.00	196, 217	624
111326.00	274	1,074
111327.00	274	1,258
111328.00	274	1,359
111330.00	202, 206	924
111332.00	197, 219	473
111333.00	197, 219	562
111334.00	198, 219	485
111335.00	198, 219	526
111348.00	196, 217	499
111394.00	237	706
111444.00	239	602
111915.00	35, 215	784
111917.00	79, 216	541
111918.00	216	609
111919.00	196, 217	664
111923.00	107	1,009
111926.00	109	1,210
111929.00	107	870
111930.00	109	1,136
111931.00	109	1,072
111932.00	107	837
111933.00	109	1,040
111934.00	107	955

Catalog No.	Page #	List \$
111935.00	109	1,154
111936.00	109	1,072
111937.00	107	1,000
111938.00	107	1,271
111939.00	109	1,277
111940.00	107	1,201
111941.00	109	1,303
111943.00	109	1,123
111944.00	109	999
111949.00	197, 219	726
111950.00	273	1,150
111951.00	273	1,602
111953.00	218	649
111954.00	218	942
111955.00	218	1,108
111956.00	218	979
111957.00	218	979
111958.00	218	1,032
111959.00	218	1,032
111960.00	218	1,108
111961.00	218	1,108
111962.00	218	1,344
111963.00	218	1,344
112135.00	32	492
112136.00	31	1,087
112378.00	64	719
112427.00	151	711
112428.00	151	742
112429.00	152	742
112430.00	152	859
112431.00	149	690
112432.00	149	812
112483.00	153	742
112484.00	153	859
112520.00	153	665
112521.00	153	688
112523.00	152	665
112526.00	149	690
112527.00	149	715
112528.00	149	811
112529.00	149	933
112547.00	152	732
112615.00	206	898
112626.00	149	930
113019.00	150	838
113020.00	150	874
113022.00	150	733
113023.00	150	854
113024.00	150	906
113028.00	122	563
113029.00	122	575
113256.00	193	492
113266.00	18, 251	841
113280.00	206	1,492
113281.00	22, 252	919
113290.00	195	650
113300.00	149	1,188
113311.00	64	635
113333.00	28, 35, 251	844
113334.00	21	891
113335.00	21	875
113336.00	21	677
113337.00	20	519
113373.00	218	1,108
113473.00	150	723
113580.00	149	681
113581.00	149	690

Catalog No.	Page #	List \$
113582.00	149	700
113583.00	149	702
113584.00	149	1027
113586.00	152	742
113587.00	152	859
113588.00	152	663
113589.00	152	728
113590.00	152	852
113591.00	152	939
113592.00	152	1,044
113608.00	25, 214	878
113627.00	253	979
113630.00	18, 251	721
113631.00	18, 251	631
113632.00	18, 251	852
113633.00	25, 214	870
113637.00	120	463
113638.00	120	494
113639.00	120	583
113640.00	120	694
113641.00	120	820
113642.00	255	707
113643.00	218	649
113649.00	150	661
113672.00	218	942
113700.00	22, 252	888
113765.00	27, 34	571
113766.00	27, 34	634
113767.00	28, 34	748
113768.00	28, 34	858
113769.00	28, 34	975
113770.00	29, 34	1,341
113846.00	54, 216	683
113847.00	54, 216	784
113890.00	66	825
113891.00	121	600
113892.00	121	713
113893.00	121	843
113895.00	54, 216	608
113896.00	54, 216	689
113897.00	54, 216	799
113901.00	243	441
113902.00	243	554
113903.00	243	615
113904.00	243	789
113905.00	243	967
113906.00	206	981
113907.00	206	1,639
113908.00	244	582
113909.00	244	661
113910.00	244	784
113911.00	244	910
113912.00	245	509
113913.00	245	566
113914.00	245	699
113915.00	245	909
113916.00	244	456
113917.00	244	487
113918.00	244	554
113919.00	244	641
113920.00	244	845
113921.00	245	593
113922.00	245	679
113923.00	245	777
113924.00	245	818
113925.00	245	991
113926.00	54, 216	789



LEESON® Catalog Number Index

Motors, Sub-FHP Gearmotors, Drives and Accessories

Gearmotors

AC / DC Controls

Accessories / Kits

Motors / Factory Options

X-Ref / Index

Tech Information

Warnings/Cautions

Catalog No.	Page #	List \$
113928.00	244	1022
113929.00	244	939
113931.00	33	961
113936.00	244	1,257
113937.00	243	1,144
113938.00	193	882
113939.00	204	604
113954.00	150	702
113955.00	120	402
113956.00	120	478
113957.00	120	598
113958.00	120	711
113959.00	120	838
113971.00	109	1,233
114102.00	207, 229	609
114142.00	68	457
114147.00	274	1,290
114148.00	274	1,595
114149.00	274	1,520
114150.00	274	1,102
114151.00	274	1,012
114152.00	275	1,642
114154.00	275	1,141
114155.00	275	1,336
114156.00	273	1,065
114157.00	273	1,241
114158.00	275	1,032
114159.00	275	1,124
114160.00	275	1,319
114162.00	273	1,036
114163.00	273	1,209
114164.00	273	1,317
114165.00	273	1,065
114166.00	273	1,341
114167.00	273	1,513
114176.00	64	440
114192.00	54	526
114201.00	121	864
114202.00	121	734
114203.00	121	615
114207.00	122	558
114208.00	122	469
114213.00	64	659
114214.00	22, 252	672
114215.00	22, 252	853
114216.00	254	626
114222.00	244	387
114223.00	244	505
114224.00	244	452
114225.00	244	630
114226.00	244	548
114227.00	244	752
114228.00	244	624
114229.00	244	829
114231.00	244	931
114233.00	244	1,135
114304.00	245	648
114306.00	245	587
114307.00	245	690
114308.00	245	702
114309.00	78	515
114310.00	149	677
114311.00	149	687
114312.00	149	687
114313.00	149	705
114314.00	149	690
114315.00	149	815

Catalog No.	Page #	List \$
114316.00	149	695
114317.00	149	924
114318.00	149	1026
114319.00	149	1,184
114394.00	170	860
114395.00	170	995
114419.00	110	1,590
114424.00	106	1,241
114425.00	106	1,361
114560.00	170	870
114561.00	170	1,005
114616.00	150	1,063
114617.00	27	606
114618.00	57	991
114620.00	220	754
114624.00	68	672
114625.00	111	1,009
114626.00	111	1,090
114627.00	111	1,052
114628.00	111	1,140
114629.00	111	1,087
114630.00	111	1,163
114631.00	111	1,136
114632.00	111	1,234
114633.00	111	1,289
114634.00	111	1,320
114635.00	111	1,276
114636.00	111	1,598
114637.00	149	1,184
114638.00	65	915
114888.00	245	698
114889.00	246	590
114891.00	246	654
114892.00	246	722
114893.00	246	587
114894.00	246	699
114895.00	246	706
114896.00	246	728
114931.00	122	425
114932.00	255	759
114933.00	255	830
114995.00	33, 36, 252	916
115024.00	32, 36, 252	770
115048.00	33, 36, 252	1,002
115743.00	152	928
115744.00	152	1,009
115778.00	221	791
115779.00	221	860
115826.00	42	545
115827.00	41	474
115877.00	32, 36, 252	566
115878.00	33	961
115879.00	32, 36, 252	755
116128.00	41	613
116129.00	58	715
116180.00	109	1,171
116181.00	106, 120	1,385
116182.00	109	1,121
116183.00	106, 120	1,273
116184.00	109	1,093
116185.00	106, 120	993
116186.00	106, 120	926
116187.00	109, 122	1,016
116188.00	106, 122	822
116190.00	111	1,433
116191.00	111	1,461
116201.00	220	679

Catalog No.	Page #	List \$
116202.00	220	844
116340.00	68	740
116343.00	180	1,574
116344.00	180	1,558
116345.00	180	1,597
116346.00	180	1,688
116347.00	180	1,767
116348.00	180	1,755
116349.00	180	1,540
116350.00	180	1,570
116351.00	180	1,654
116352.00	180	1,712
116462.00	155, 276	1,408
116463.00	155, 276	1,443
116464.00	155, 276	1,717
116466.00	155, 276	1,459
116467.00	155, 276	1,488
116468.00	155, 276	1,765
116469.00	155	1,824
116482.00	180	1,851
116483.00	181, 276	5,503
116485.00	36, 195, 252	673
116486.00	36, 195, 252	773
116487.00	36, 195, 252	898
116488.00	195	1,020
116489.00	195	1,148
116523.00	249	728
116593.00	54, 216	859
116595.00	42	650
116599.00	214	681
116600.00	214	824
116601.00	214	878
116605.00	106	891
116606.00	106	931
116607.00	106	1,066
116608.00	106	898
116609.00	106	1,032
116610.00	106	1,156
116611.00	106	961
116612.00	106	1,141
116613.00	106	1,032
116614.00	106	1,257
116615.00	106	1,463
116616.00	106	1,793
116640.00	150	682
116641.00	152	704
116642.00	150	702
116643.00	150	704
116644.00	150	723
116645.00	150	838
116698.00	121	924
116699.00	121	949
116703.00	32, 36, 252	902
116704.00	18, 251	898
116705.00	29, 35, 251	992
116706.00	19, 251	906
116707.00	22, 252	931
116708.00	19, 251	926
116709.00	22, 252	953
116739.00	57	638
116740.00	46	757
116741.00	46	790
116742.00	47	889
116743.00	65	965
116744.00	66	1,014
116745.00	68	947
116746.00	69	982



LEESON® Catalog Number Index

Motors, Sub-FHP Gearmotors, Drives and Accessories

Gearmotors

AC / DC Controls

Accessories / Kits

Mods / Factory Options

X-Ref / Index

Tech Information

Warnings/Cautions

Catalog No.	Page #	List \$
116747.00	69	1,026
116748.00	65	733
116749.00	65	962
116750.00	65	831
116751.00	66	962
116752.00	41	689
116757.00	58	784
116758.00	58	812
116759.00	58	800
116760.00	59	888
116761.00	59	847
116766.00	273	1,560
116769.00	22	492
116772.00	221	694
116773.00	221	751
116774.00	123, 154	735
116775.00	123, 154	854
116779.00	123, 154	754
116780.00	123, 154	876
116785.00	48	610
116789.00	249	773
116919.00	180	1,765
116922.00	32	667
117118.00	187	1,572
117119.00	187	1,654
117120.00	187	1,627
117121.00	187	1,717
117122.00	187	1,747
117126.00	188	1,540
117127.00	188	1,623
117128.00	188	1,595
117129.00	188	1,688
117130.00	188	1,715
117266.00	177	1,504
117267.00	177	1,561
117269.00	177	1,404
117270.00	178	1,475
117271.00	177	1,454
117272.00	178	1,522
117273.00	177	1,591
117275.00	177	1,876
117276.00	177	1,939
117279.00	178	1,378
117280.00	178	1,425
117281.00	178	1,562
117282.00	178	1,602
117296.00	187	1,847
117689.00	194	539
117690.00	194	618
117691.00	194	743
117692.00	194	837
117693.00	194	953
117698.00	277	1,317
117699.00	277	1,520
117700.00	277	1,711
117701.00	37, 268	553
117702.00	37, 268	601
117703.00	37, 268	652
117704.00	37, 268	531
117705.00	37, 268	580
117706.00	37, 268	624
117707.00	268	459
117708.00	268	485
117709.00	268	520
117710.00	268	565
117711.00	268	448
117712.00	268	478

Catalog No.	Page #	List \$
117714.00	268	559
117715.00	119	876
117716.00	119	827
117759.00	194	659
117760.00	194	807
117761.00	194	822
117762.00	177	1,504
117772.00	194	601
117813.00	141	466
117814.00	141	404
117815.00	141	564
117816.00	141	531
117817.00	141	557
117850.00	111	1,216
117851.00	111	1,300
117852.00	109	1,120
117853.00	109	1,138
117854.00	109	1,195
117855.00	109	1,283
117856.00	107	820
117857.00	107	853
117858.00	107	992
117859.00	111	1,073
117860.00	109	1,056
117862.00	208	407
117863.00	208	464
117864.00	208	549
117865.00	208	596
117866.00	208	716
117867.00	208	820
117872.00	121	531
117873.00	121	627
117874.00	121	716
117875.00	121	544
117876.00	121	648
117878.00	208	439
117879.00	208	495
117880.00	208	577
117881.00	208	626
117883.00	206	876
117884.00	206	1,472
117887.00	206	593
117888.00	206	679
117889.00	206	699
117901.00	179	1,602
117902.00	179	1,656
117903.00	179	1,734
117906.00	189	1,746
117907.00	189	1,807
117913.00	124	800
117914.00	124	812
117915.00	124	987
117916.00	124	1,107
117925.00	141	466
117926.00	141	466
117927.00	141	466
117928.00	141	404
117929.00	141	404
117930.00	141	404
117931.00	141	564
117932.00	141	564
117933.00	141	564
117934.00	141	531
117935.00	141	531
117936.00	141	531
117937.00	141	557
117938.00	141	557

Catalog No.	Page #	List \$
117939.00	141	557
118007.00	299, 313	2,121
118008.00	299, 313	2,545
118009.00	299, 313	2,121
118010.00	299, 313	2,545
118014.00	299, 313	3,552
118015.00	308	2,556
118016.00	308	2,886
118017.00	308	2,886
118018.00	308	3,576
118019.00	308	3,576
118054.00	308	3,359
118055.00	308	3,359
118056.00	308	4,258
119090.00	119	546
119091.00	119	738
119092.00	119	754
119227.00	204	812
119228.00	205	812
119229.00	205	1,767
119230.00	205	780
119231.00	204	1,720
119232.00	204	780
119233.00	205	604
119234.00	205	876
119266.00	187	1,765
119267.00	187	1,823
119268.00	187	1,860
119286.00	86	609
119287.00	86	763
119289.00	86	910
119395.00	58	772
119396.00	59	950
119414.00	66	1,053
119416.00	69	846
119417.00	69	851
119418.00	70	1,041
119419.00	79	784
119420.00	109	1,353
119421.00	107	1,314
119422.00	109	1,231
119423.00	109	1,336
119424.00	109, 122	1,240
119425.00	107	1,181
119426.00	107	1,314
119427.00	109	1,369
119428.00	109	1,277
119429.00	109, 122	1,244
119430.00	109	1,353
119431.00	109	1,270
119433.00	107	1,323
119434.00	109, 122	1,280
119435.00	110	1,590
119436.00	111	1,282
119437.00	111	1,369
119438.00	111	1,354
119439.00	111	1,289
119440.00	111	1,405
119441.00	111	1,397
119442.00	111	1,290
119443.00	111	1,610
119448.00	204	812
119452.00	122	693
119453.00	122	667
119454.00	122	859
119455.00	122	841
119456.00	122	889



LEESON® Catalog Number Index

Motors, Sub-FHP Gearmotors, Drives and Accessories

Catalog No.	Page #	List \$
119457.00	122	900
119458.00	123, 154	1,003
119459.00	123, 154	983
119460.00	123, 154	1,222
119461.00	123, 154	1,240
119462.00	123, 154	1,252
119463.00	123, 154	1,269
119466.00	141	797
119468.00	150	936
119469.00	150	963
119471.00	150	1,158
119472.00	150	1,139
119473.00	150	1,425
119475.00	151	960
119476.00	152	993
119478.00	152	1,241
119479.00	153	993
119480.00	152	1,142
119482.00	152	1,230
119483.00	152	1,248
119485.00	155, 276	1,893
119486.00	155, 276	1,915
119487.00	170	1,126
119488.00	170	1,180
119489.00	170	1,342
119490.00	170	1,128
119491.00	177	1,832
119492.00	177	2,032
119494.00	177	1,906
119495.00	177	2,239
119497.00	178	1,790
119498.00	178	1,880
119499.00	178	2,192
119500.00	179	1,873
119501.00	179	1,948
119502.00	179	2,274
119507.00	182, 296	1,855
119508.00	182, 296	1,942
119509.00	182, 296	2,117
119511.00	187	1,904
119512.00	188	1,902
119513.00	187	2,089
119520.00	188	1,940
119522.00	187	1,965
119523.00	187	2,305
119524.00	188	2,274
119525.00	188	2,353
119526.00	187	2,372
119527.00	189	1,976
119528.00	189	2,019
119529.00	189	2,359
119530.00	189	2,459
119531.00	189	2,441
119533.00	202	1,052
119534.00	203	1,009
119535.00	203	974
119539.00	237	767
119540.00	237	808
119542.00	239	915
119543.00	239	965
119544.00	239	962
119552.00	242	784
119553.00	268	715
119554.00	268	778
119555.00	268	698
119556.00	268	764
119561.00	274	1,538

Catalog No.	Page #	List \$
119562.00	274	1,726
119563.00	275	1,634
119564.00	275	1,585
119565.00	275	1,780
119566.00	277	1,865
119736.00	107	1,330
119737.00	107	1,396
119752.00	141	797
119753.00	141	797
119754.00	141	797
119783.00	207	1,088
119785.00	181, 276	6,197
119796.00	83	870
119797.00	83	938
119973.00	177	1,832
119974.00	178	1,790
119975.00	187	1,904
119976.00	188	1,902
120000.00	18	672
120001.00	18	898
120003.00	18, 249	673
120004.00	18, 249, 251	898
120008.00	28, 35, 251	745
120009.00	28, 35, 251	844
120017.00	31	924
120025.00	28	713
120026.00	28	735
120036.00	29	915
120042.00	18, 249	707
120043.00	28	1,196
120044.00	18, 249	640
120060.00	31	1,111
120063.00	46	671
120067.00	18	844
120073.00	21	846
120097.00	64	719
120101.00	31	817
120102.00	31	953
120106.00	18	874
120107.00	18	613
120130.00	28	697
120274.00	33	1,210
120341.00	29, 253	987
120372.00	273	1,560
120374.00	197, 219	781
120375.00	197, 219	951
120376.00	197, 219	1,001
120377.00	198, 219	604
120378.00	198, 219	715
120379.00	198, 219	802
120395.00	29, 35, 251, 253	962
120485.00	68	740
120554.00	249	758
120589.00	149	930
120590.00	149	1,184
120728.00	254	1,226
120824.00	31, 253	1,067
120855.00	195	1,456
120867.00	29, 35, 251	1,210
120879.00	18, 251	945
120921.00	58	784
120922.00	58	814
120923.00	59	847
120925.00	254	876
120940.00	224, 257	1,219
120941.00	224, 257	1,046
120942.00	225, 257	1,433

Catalog No.	Page #	List \$
120943.00	225, 257	1,433
120944.00	224, 257	1,005
120945.00	224, 257	1,005
120946.00	224, 257	1,219
120947.00	224, 257	1,049
120990.00	245	1,049
120992.00	22	804
120994.00	127	883
120995.00	127	885
120996.00	127	876
120997.00	254	961
120998.00	254	1,280
121001.00	31	817
121002.00	20	667
121003.00	41, 53, 250	689
121004.00	41, 53, 250	719
121005.00	42, 53, 250	815
121008.00	33	961
121009.00	57	678
121060.00	33	1,077
121063.00	46	790
121064.00	46	757
121065.00	66	1,014
121066.00	65	965
121067.00	65	915
121070.00	244	1,257
121071.00	47	901
121093.00	245	722
121094.00	245	782
121095.00	245	818
121096.00	245	698
121097.00	245	722
121098.00	78	590
121179.00	68	947
121180.00	69	982
121181.00	69	1,026
121184.00	21	853
121190.00	127	903
121199.00	57	1,142
121272.00	246	728
121273.00	246	837
121274.00	246	751
121275.00	246	760
121276.00	246	752
121277.00	246	819
121465.00	33, 36, 252	1,210
121507.00	29	1,201
121514.00	41	682
121515.00	42	804
121516.00	42	814
121517.00	41	802
121518.00	58	812
121519.00	59	888
121520.00	58	927
121569.00	193	782
121614.00	155, 276	2,464
121616.00	155	1,824
121622.00	180	1,824
121623.00	180	2,022
121624.00	180	1,739
121625.00	195	1,463
121632.00	180	2,104
121633.00	180	2,000
121672.00	69	866
121673.00	69	888
121675.00	48	792
121676.00	48	896

Gearmotors

AC / DC Controls

Accessories / Kits

Mods / Factory Options

X-Ref / Index

Tech Information

Warnings/Cautions



LEESON® Catalog Number Index

Motors, Sub-FHP Gearmotors, Drives and Accessories

Gearmotors

AC / DC Controls

Accessories / Kits

Mods / Factory Options

X-Ref / Index

Tech Information

Warnings/Cautions

Catalog No.	Page #	List \$
121678.00	273	1,341
121680.00	32	755
121681.00	32	897
121750.00	188	1,824
121751.00	188	1,817
121815.00	273	1,697
121816.00	273	1,737
121825.00	33	1,015
121865.00	151	981
121866.00	151	1,222
121867.00	152	1,031
121868.00	152	1,328
121869.00	151	983
121870.00	152	1,569
121871.00	152	1,074
121873.00	177	1,888
121874.00	177	1,904
121875.00	177	1,931
121876.00	177	2,260
121877.00	177	2,283
121878.00	177	2,719
121879.00	187	1,983
121880.00	187	1,976
121881.00	187	2,292
121882.00	187	2,316
121908.00	188	1,950
121909.00	188	1,945
121910.00	188	2,260
121911.00	188	2,284
121912.00	170	1,199
121913.00	170	1,401
121914.00	107	1,172
121915.00	107	1,304
121916.00	107	1,208
121917.00	107	1,448
121918.00	107	1,428
121919.00	111	1,345
121920.00	111	1,393
121921.00	111	1,552
121922.00	111	1,535
121928.00	48	825
121929.00	70	1,090
121934.00	207	966
121935.00	48	704
121936.00	68	927
121937.00	237	794
121938.00	237	939
121939.00	237	812
121940.00	237	824
121941.00	237	888
121942.00	237	858
121944.00	207	1,088
121968.00	59	1,024
121973.00	194	848
121974.00	194	969
121975.00	194	1,312
121979.00	277	1,870
121980.00	277	2,044
121982.00	268	757
121983.00	268	800
121984.00	268	882
121985.00	268	633
121997.00	194	835
121998.00	194	870
122009.00	207	2,283
122010.00	207	2,316
122023.00	109	1,353

Catalog No.	Page #	List \$
122024.00	107	1,286
122025.00	107	1,429
122030.00	179	2,014
122031.00	179	2,354
122073.00	129	717
122074.00	129	789
122075.00	129	789
122076.00	129	772
122077.00	129	772
122078.00	129	898
122079.00	129	898
122080.00	129	870
122081.00	129	994
122082.00	129	994
122083.00	131	777
122084.00	131	777
122085.00	131	801
122086.00	131	801
122087.00	131	848
122088.00	131	848
122089.00	131	961
122090.00	131	961
122091.00	131	847
122092.00	131	847
122093.00	125	572
122094.00	125	572
122095.00	125	698
122096.00	125	698
122097.00	125	684
122098.00	125	684
122099.00	125	713
122100.00	125	701
122101.00	125	701
122102.00	125	890
122103.00	125	890
122105.00	133	807
122106.00	133	807
122107.00	133	832
122108.00	133	832
122109.00	133	885
122110.00	133	885
122111.00	133	1002
122112.00	133	1002
122113.00	133	893
122114.00	133	893
122115.00	129	717
122118.00	189	2,392
122122.00	200	1,048
122129.00	86	935
122130.00	86	1,083
122131.00	86	1,135
122132.00	86	1,462
122162.00	46	808
122163.00	47	859
122164.00	47	819
122165.00	65	962
122166.00	65	831
122167.00	66	962
122171.00	66	1,053
122174.00	109	1,482
122175.00	109	1,467
122179.00	150	952
122180.00	150	972
122182.00	150	1,204
122183.00	150	1,172
122184.00	150	1,451
122185.00	152	1,240

Catalog No.	Page #	List \$
122186.00	153	1,276
122187.00	153	1,418
122188.00	153	1,378
122189.00	153	1,561
122190.00	153	1,477
122191.00	153	1,691
122192.00	155, 276	1,906
122193.00	155, 276	1,933
122194.00	155, 276	2,603
122195.00	155, 276	2,636
122196.00	155, 276	2,670
122197.00	155, 276	2,716
122198.00	170	1,126
122199.00	170	1,180
122200.00	170	1,342
122201.00	170	1,128
122202.00	178	1,796
122203.00	178	1,885
122204.00	178	2,198
122205.00	178	2,210
122206.00	178	2,665
122207.00	178	1,873
122208.00	181	1782
122209.00	181	1,818
122210.00	181	1,780
122211.00	181	2,142
122212.00	181	2,119
122213.00	181	2,558
122214.00	46	746
122215.00	179	1,929
122219.00	187	1,929
122221.00	189	2,032
122222.00	189	2,359
122227.00	239	915
122228.00	239	965
122229.00	239	962
122231.00	242	784
122232.00	242	814
122233.00	242	847
122234.00	268	739
122235.00	268	782
122237.00	273	1,616
122238.00	273	1,810
122239.00	273	1,423
122240.00	273	1,663
122241.00	273	1,873
122242.00	274	1,640
122243.00	274	1,847
122244.00	274	1,542
122245.00	274	2,171
122246.00	274	1,730
122247.00	274	1,773
122248.00	275	1,641
122249.00	275	1,805
122250.00	275	1,866
122251.00	275	1,595
122252.00	275	1,793
122253.00	275	1,842
122254.00	277	2,037
122255.00	277	2,145
122258.00	268	866
122308.00	207	2,316
122313.00	141	816
122314.00	141	816
122315.00	141	816
122316.00	141	816
122329.00	129	870



LEESON® Catalog Number Index

Motors, Sub-FHP Gearmotors, Drives and Accessories

Gearmotors

AC / DC Controls

Accessories / Kits

Mods / Factory Options

X-Ref / Index

Tech Information

Warnings/Cautions

Catalog No.	Page #	List \$
122330.00	153	1,328
122337.00	83	877
122338.00	83	952
128000.00	306	2,214
128001.00	306	2,644
128010.00	306	2,644
128023.00	306	2,327
131454.00	245	1,101
131459.00	245	966
131463.00	59, 79, 250	957
131464.00	60, 79, 250	1,053
131468.00	224, 257	1,306
131469.00	224, 257	1,667
131470.00	225, 257	2,079
131471.00	225, 257	1,832
131472.00	225, 257	2,079
131473.00	225, 257	1,832
131474.00	224, 257	1,306
131475.00	224, 257	1,667
131480.00	245	1,009
131481.00	245	1,188
131501.00	67	1,173
131502.00	70	1,200
131503.00	66	1,087
131504.00	70	1,107
131505.00	246	1,027
131506.00	246	953
131507.00	246	1,215
131508.00	246	1,088
131509.00	29	1,053
131515.00	18, 249	874
131516.00	31	1,448
131517.00	47	1,120
131518.00	47	953
131519.00	42, 53, 250	833
131520.00	42, 53, 250	939
131526.00	28	1,939
131530.00	19	1,119
131533.00	29	1,242
131534.00	19, 249	946
131535.00	18	930
131536.00	18, 249	935
131537.00	19, 249	1,135
131538.00	29	1,511
131539.00	21	1,370
131540.00	31	1,776
131541.00	193, 195	1,324
131542.00	193, 195	1,387
131543.00	193	1,738
131544.00	21	984
131545.00	31	1,706
131549.00	29	1,502
131553.00	243	1,122
131554.00	243	1,282
131555.00	243	2,622
131556.00	244	1,545
131557.00	244	2,206
131560.00	19	1,135
131561.00	19	1,119
131571.00	149	1,717
131578.00	244	2,800
131599.00	245	1,562
131600.00	244	1,525
131601.00	244	2,173
131602.00	195	2,422
131603.00	195	1,975
131604.00	127	1,229

Catalog No.	Page #	List \$
131605.00	127	1,746
131616.00	19	1,196
131622.00	19, 249, 251	1,357
131625.00	273	2,745
131629.00	22	1,119
131630.00	22, 252	1,374
131631.00	33	1,710
131632.00	33, 36, 252	1,718
131633.00	33, 36, 252	1,790
131636.00	19	1,005
131637.00	29	1,087
131638.00	244	1,455
131640.00	127	1,069
131641.00	127	1,520
131777.00	21	1,317
131778.00	31	1,712
131781.00	22	1,322
131847.00	199, 228	1,488
131848.00	199, 228	1,654
131849.00	199, 228	1,205
131850.00	199, 228	1,407
131851.00	19, 251	1,117
131853.00	22, 252	1,117
131855.00	29, 35, 251	1,341
131856.00	29, 35, 251	1,559
131857.00	33, 36, 252	1,710
131881.00	125	1,480
131971.00	41	945
131972.00	42	960
131980.00	58	1,351
131981.00	59	1,375
131985.00	59	1,102
131986.00	42	892
131987.00	60	1,232
131988.00	42	1,290
131994.00	195	2,012
131995.00	195	2,434
132042.00	29, 35, 251	1,676
132043.00	22	1,371
132044.00	19, 249	1,093
132073.00	127	924
132079.00	70	1,230
132080.00	70	1,267
132081.00	48	970
132082.00	48	1,137
132083.00	22	1,049
132196.00	151	1,641
132197.00	151	1,877
132198.00	152	1,779
132199.00	152	1,804
132200.00	152	2,229
132201.00	152	2,009
132202.00	151	1,877
132203.00	177	2,782
132204.00	151	2,341
132205.00	152	2,763
132206.00	177	2,868
132207.00	177	3,251
132208.00	177	3,181
132232.00	55	846
132233.00	55	939
132234.00	55	1,004
132235.00	55	1,127
132236.00	78	1,053
132237.00	78	957
132242.00	48	892
132243.00	69	1,171

Catalog No.	Page #	List \$
132244.00	48	1,347
132246.00	207	1,471
132247.00	207	1,538
132251.00	237	1,369
132252.00	237	1,394
132253.00	237	971
132254.00	237	1,101
132255.00	237	1,067
132293.00	92	3,116
132294.00	92	3,979
132306.00	151	2,341
132313.00	70	1,377
132328.00	194	982
132329.00	194	1,078
132346.00	142	1,120
132347.00	142	1,266
132356.00	142	1,145
132357.00	142	1,145
132362.00	142	1,266
132363.00	142	1,266
132388.00	151	1,673
132391.00	200	1,325
132392.00	200	1,540
132393.00	200	1,254
132394.00	200	1,398
132425.00	47	1,320
132426.00	47	877
132427.00	47	960
132428.00	58	1,478
132429.00	58	1,757
132430.00	66	1,435
132431.00	65	1,415
132433.00	66	1,196
132434.00	67	1,240
132435.00	69	1,435
132439.00	150	1,610
132440.00	150	1,857
132441.00	150	1,905
132442.00	153	1,879
132443.00	153	2,198
132444.00	153	2,010
132446.00	153	2,421
132447.00	178	2,789
132448.00	178	3,118
132449.00	178	3,169
132450.00	181	2,713
132451.00	181	2,992
132452.00	181	2,993
132457.00	128	1,300
132458.00	128	1,374
132461.00	239	1,087
132462.00	239	1,173
132463.00	242	939
132465.00	242	957
132466.00	242	1,053
132468.00	273	2,236
132469.00	273	2,811
132470.00	273	2,322
132471.00	273	2,881
132472.00	274	2,569
132473.00	274	3,119
132474.00	274	2,939
132475.00	274	2,422
132476.00	274	2,996
132477.00	275	2,535
132478.00	275	3,155
132479.00	275	2,495



LEESON® Catalog Number Index

Motors, Sub-FHP Gearmotors, Drives and Accessories

Gearmotors

AC / DC Controls

Accessories / Kits

Mods / Factory Options

X-Ref / Index

Tech Information

Warnings/Cautions

Catalog No.	Page #	List \$
132480.00	275	3,141
132549.00	142	1,250
132550.00	142	1,250
132551.00	142	1,250
132552.00	142	1,250
132553.00	142	1,250
132554.00	142	1,382
132555.00	142	1,382
132556.00	142	1,382
132557.00	142	1,306
132558.00	142	1,306
132559.00	142	1,306
132561.00	67	1,336
132563.00	152	1,585
132565.00	177	2,809
132595.00	66	1,087
132596.00	65	805
140120.00	29	1,959
140130.00	195	2,264
140155.00	19, 249	1,611
140203.00	195	2,117
140209.00	195	2,439
140223.00	195	2,120
140311.00	19, 249	2,355
140414.00	195	2,653
140443.00	224, 257	2,372
140444.00	224, 257	2,767
140445.00	225, 257	2,717
140446.00	225, 257	2,717
140447.00	224, 257	2,349
140448.00	224, 257	2,767
140450.00	60, 79, 250	1,353
140451.00	61, 79, 250	1,636
140470.00	42, 53, 250	1,178
140472.00	43, 53, 250	1,392
140475.00	244	2,813
140483.00	47	1,240
140484.00	67	1,646
140485.00	47	1,401
140486.00	67	1,364
140521.00	70	1,371
140522.00	71	1,655
140581.00	29	2,248
140601.00	274	4,396
140603.00	274	3,787
140605.00	275	4,043
140610.00	274	3,611
140611.00	273	3,420
140635.00	273	4,322
140636.00	274	4,332
140638.00	274	4,517
140639.00	275	5,111
140640.00	199, 228	2,543
140641.00	199, 228	1,697
140642.00	127	2,161
140644.00	127	2,434
140646.00	125	1,758
140647.00	125	2,370
140665.00	127	2,302
140666.00	127	2,848
140678.00	33	2,331
140680.00	19, 249	1,846
140681.00	19, 249	2,334
140684.00	29	1,930
140685.00	29	2,369
140694.00	33	2,017
140695.00	33	2,406

Catalog No.	Page #	List \$
140705.00	203	2,808
140706.00	193	2,432
140707.00	193	2,077
140747.00	29	2,874
140753.00	43	1,359
140754.00	43	1,806
140755.00	61	1,724
140756.00	60	1,485
140767.00	48	1,250
140768.00	49	1,418
140769.00	71	1,769
140770.00	70	1,564
140806.00	22	1,412
140807.00	33	2,060
140816.00	202	2,773
140819.00	151	2,382
140820.00	151	2,849
140821.00	152	2,944
140822.00	152	2,590
140823.00	152	3,336
140825.00	177	4,525
140826.00	177	5,107
140827.00	177	4,652
140828.00	177	5,260
140830.00	202	1,861
140831.00	55	1,178
140832.00	78	1,353
140833.00	203	1,690
140834.00	70	1,582
140840.00	92	4,825
140841.00	92	5,042
141084.00	199, 228	2,543
141111.00	49	1,494
141119.00	49	1,930
141120.00	152	2,826
141145.00	194	1,381
141146.00	194	1,669
141156.00	142	2,276
141158.00	143	2,558
141159.00	143	2,307
141171.00	142	2,276
141173.00	142	2,206
141174.00	142	2,206
141176.00	143	2,558
141179.00	143	2,307
141180.00	143	2,307
141220.00	200	1,930
141228.00	47	1,453
141229.00	47	1,876
141231.00	66	1,524
141232.00	67	1,743
141233.00	67	1,538
141234.00	67	1,517
141235.00	67	2,187
141266.00	150	2,351
141267.00	150	2,341
141268.00	150	2,814
141269.00	150	2,830
141270.00	153	2,707
141271.00	153	3,270
141272.00	153	3,099
141273.00	181	4,665
141274.00	181	4,608
141275.00	181	4,813
141276.00	181	4,824
141281.00	128	1,621
141282.00	128	1,883

Catalog No.	Page #	List \$
141286.00	242	1,178
141287.00	242	1,392
141289.00	242	1,353
141290.00	242	1,636
141291.00	237	1,371
141308.00	275	4,009
141309.00	275	5,078
141311.00	200	2,653
141312.00	59	2,310
141336.00	142	2,486
141337.00	142	2,486
141338.00	142	2,409
141339.00	143	2,781
141340.00	143	2,781
141341.00	143	2,509
141342.00	142	2,486
141343.00	142	2,409
141344.00	142	2,409
141345.00	143	2,781
141346.00	143	2,509
141347.00	143	2,509
141348.00	200	2,439
141357.00	150	3,495
141358.00	153	3,595
163104.60	392	1,750
163115.60	392	149
163116.60	396	149
163126.60	392	1,750
170000.60	43	3,997
170001.60	61	5,420
170002.60	43	4,760
170003.60	61	6,343
170004.60	43	4,964
170005.60	61	7,119
170006.60	43, 53, 250	2,398
170007.60	61, 79, 250	3,018
170009.60	43	3,027
170011.60	61	3,796
170013.60	43	3,281
170015.60	61	4,422
170019.60	62	5,874
170021.60	44	5,222
170023.60	62	7,094
170025.60	44	5,750
170027.60	62	10,090
170029.60	44	7,090
170031.60	62	12,592
170032.60	43	2,439
170033.60	61	3,091
170034.60	43	3,027
170035.60	61	4,019
170036.60	43	3,515
170037.60	61	4,744
170039.60	62	5,917
170041.60	62	7,186
170042.60	44	6,747
170043.60	62	10,658
170044.60	44	8,915
170045.60	62	13,056
170062.60	61	2,528
170064.60	43	1,943
170065.60	43	1,963
170066.60	61, 79, 250	2,413
170067.60	43	3,237
170068.60	61	4,334
170070.60	49	2,707
170071.60	49	2,757



LEESON® Catalog Number Index

Motors, Sub-FHP Gearmotors, Drives and Accessories

Gearmotors

AC / DC Controls

Accessories / Kits

Mods / Factory Options

X-Ref / Index

Tech Information

Warnings/Cautions

Catalog No.	Page #	List \$
170073.60	49	3,483
170087.60	62	15,658
170096.60	62	9,758
170097.60	62	11,711
170098.60	62	13,813
170099.60	62	14,560
170104.60	71	4,709
170108.60	71	4,473
170110.60	72	6,597
170112.60	72	6,788
170114.60	72	11,097
170116.60	238	2,889
170117.60	238	3,060
170118.60	238	3,796
170119.60	238	4,422
170120.60	238	5,874
170121.60	238	7,094
170122.60	60	2,208
170123.60	61	3,159
170138.60	70	2,836
170139.60	71	3,161
170140.60	61	1,783
170142.60	42	1,250
170143.60	43	1,446
170144.60	43	1,475
170145.60	42	1,973
170146.60	43	2,458
170148.60	44	8,096
170149.60	44	8,962
170150.60	44	10,621
170151.60	44	10,078
170152.60	44	9,701
170154.60	45	11,650
170155.60	45	12,277
170157.60	60	1,493
170158.60	60	1,571
170159.60	61	1,861
170160.60	62	16,076
170165.60	70	1,471
170166.60	70	1,557
170167.60	71	1,683
170168.60	71	1,823
170170.60	48	1,214
170171.60	49	1,621
170172.60	49	1,587
170173.60	49	2,239
170175.60	49	2,266
170196.60	237	1,571
170197.60	237	1,861
170198.60	238	2,528
170199.60	238	3,091
170212.60	237	1,807
170224.60	238	4,019
170228.60	238	4,744
170232.60	238	5,917
170239.60	238	10,090
170244.60	238	12,592
170253.60	238	15,658
170256.60	62	20,726
170259.60	45	16,308
170260.60	62	23,418
170269.60	44	12,546
170352.60	63	27,242
170369.60	62	20,789
170371.60	63	23,786
170378.60	49	5,053
170379.60	49	5,985

Catalog No.	Page #	List \$
170540.60	201, 227	2,194
170541.60	201, 227	2,675
170542.60	201, 227	3,603
170615.60	61	2,340
170619.60	71	3,791
170620.60	71	4,473
171115.60	72	13,322
171116.60	70	1,970
171315.60	63	26,407
171316.60	63	34,589
171320.60	59	1,074
171322.60	60	1,117
171349.60	67	2,708
171352.60	67	3,372
171377.60	49	3,987
171378.60	59	1,521
171379.60	60	1,695
171446.60	70	1,322
171449.60	45	14,373
171479.60	67	2,809
171480.60	67	3,303
171507.60	67	4,308
171508.60	67	5,137
171509.60	67	6,771
171510.60	67	7,424
171516.60	63	31,512
171518.60	45	23,762
171519.60	67	8,856
171522.60	45	14,498
171523.60	45	16,720
171524.60	45	18,767
171525.60	45	21,530
171529.60	63	35,475
171530.60	63	36,585
171564.60	70	1,271
171565.60	70	1,234
171566.60	70	1,280
171573.60	45	19,115
171574.60	42	1,246
171575.60	42	1,575
171576.60	45	17,495
171577.60	45	22,998
171578.60	63	23,690
171579.60	63	27,284
171580.60	62	19,194
171586.60	71	2,798
171587.60	71	2,893
171588.60	71	3,437
171589.60	71	3,454
171590.60	71	4,319
171591.60	71	4,469
171592.60	71	5,385
171593.60	72	6,960
171594.60	72	7,645
171595.60	72	12,125
171596.60	72	13,950
171597.60	72	17,081
171616.60	97	1,708
171617.60	97	2,026
171620.60	97	2,754
171621.60	97	3,365
171622.60	97	1,648
171623.60	97	1,188
171624.60	237	1,232
171630.60	97	1,230
171631.60	97	1,965
171632.60	97	2,664

Catalog No.	Page #	List \$
171633.60	97	3,326
171634.60	97	1,676
171635.60	97	1,875
171636.60	97	2,438
171637.60	97	3,486
171638.60	97	4,719
171639.60	97	5,896
171640.60	58	841
171642.60	58	870
171643.60	58	990
171646.60	58	868
171647.60	59	904
171648.60	59	949
171682.60	47	2,114
171683.60	47	2,647
171684.60	47	2,639
171685.60	47	3,246
171686.60	47	3,300
171687.60	47	3,578
171688.60	49	3,388
171689.60	49	7,512
171690.60	49	9,123
171691.60	49	11,612
171778.60	97	4,108
171779.60	97	3,880
171780.60	97	6,483
171781.60	97	4,849
171782.60	97	4,520
171783.60	97	7,277
171784.60	97	6,048
171785.60	97	6,005
171786.60	97	9,976
171787.60	98	7,345
171788.60	98	7,253
171789.60	98	11,973
171790.60	98	10,896
171791.60	98	10,315
171792.60	98	14,121
171793.60	98	13,347
171794.60	98	12,872
171795.60	98	14,884
171796.60	98	16,434
171797.60	98	16,008
171798.60	98	21,189
171799.60	98	19,623
171800.60	98	21,254
171801.60	98	23,941
171802.60	98	24,219
171803.60	98	24,316
171804.60	98	26,997
171805.60	98	27,893
171806.60	98	27,850
171807.60	98	35,361
171815.60	99	1,274
171816.60	99	1,797
171817.60	99	1,319
171818.60	99	2,010
171819.60	99	1,767
171820.60	99	2,614
171821.60	99	2,106
171822.60	99	3,737
171823.60	99	2,856
171824.60	99	5,059
171825.60	99	3,565
171826.60	99	6,321
171827.60	99	4,159
171828.60	99	6,950



LEESON® Catalog Number Index

Motors, Sub-FHP Gearmotors, Drives and Accessories

Gearmotors

AC / DC Controls

Accessories / Kits

Mods / Factory Options

X-Ref / Index

Tech Information

Warnings/Cautions

Catalog No.	Page #	List \$
171829.60	99	4,845
171830.60	99	7,801
171831.60	99	6,437
171832.60	99	10,694
171833.60	99	7,775
171834.60	99	12,835
171835.60	99	11,058
171836.60	99	15,138
171837.60	99	13,799
171838.60	99	15,956
171839.60	99	17,161
171840.60	99	22,715
171841.60	201	2,567
171842.60	201	3,275
171843.60	201	3,812
171844.60	201	4,546
171845.60	201	1,227
171846.60	201	1,269
171847.60	201	1,568
171848.60	201	1,875
171851.60	67	1,426
171852.60	67	1,509
171853.60	67	1,460
171854.60	67	1,570
171857.60	201, 227	3,524
171859.60	201, 227	1,631
171861.60	201, 227	1,631
171862.60	201, 227	2,194
171863.60	201, 227	2,675
171864.60	201, 227	3,524
171865.60	201, 227	3,603
174102.00	362	626
174103.00	362	911
174107.00	362	850
174140.00	386, 390	861
174141.00	386	1,096
174142.00	386	1,267
174144.00	386, 390	498
174145.00	386, 390	840
174146.00	386	1,096
174147.00	386	1,267
174148.00	386	327
174149.00	386	510
174150.00	391	264
174151.00	390	384
174152.00	390	384
174153.00	390	384
174154.00	390	523
174155.00	390	523
174156.00	390	523
174157.00	390	328
174158.00	390	328
174159.00	390	681
174160.00	390	681
174161.00	390	681
174162.00	390	860
174163.00	390	860
174164.00	390	860
174165.00	390	1,039
174166.00	390	1,039
174167.00	390	1,039
174178.00	386	200
174179.00	386	200
174180.00	386	200
174181.00	386	282
174182.00	386	282
174183.00	386	282

Catalog No.	Page #	List \$
174184.00	386	454
174185.00	386	494
174186.00	391	186
174187.00	391	209
174188.00	391	249
174190.00	391	201
174191.00	391	270
174194.00	391	219
174263.00	385	498
174264.00	385	540
174265.00	385	717
174266.00	385	814
174267.00	385	460
174268.00	385	485
174270.00	385	540
174271.00	385	650
174272.00	385	766
174273.00	385	899
174274.00	385	460
174276.00	385	511
174277.00	385	608
174278.00	385	694
174279.00	385	769
174280.00	385	1,354
174281.00	385	617
174282.00	385	659
174283.00	385	715
174284.00	385	765
174285.00	385	1,301
174286.00	385	837
174287.00	385	1,002
174288.00	385	980
174290.00	385	1,377
174291.00	385	1,550
174292.00	385	2,476
174293.00	385	1,832
174298.00	365	1,191
174299.00	365	1,191
174307.00	362	460
174308.00	362	629
174311.00	363	255
174314.00	363	76
174316.00	362	103
174341.00	144	405
174342.00	144	346
174344.00	144	249
174345.00	144	154
174346.00	144	154
174347.00	144	154
174348.00	144	154
174356.00	374, 376	95
174357.00	374, 376	69
174358.00	374, 376	221
174359.00	374, 376	35
174362.00	376	136
174363.00	376	219
174364.00	376	219
174365.00	376	219
174366.00	376	275
174367.00	376	355
174368.00	376	383
174369.00	376	355
174370.00	376	180
174400.00	390	338
174401.00	390	392
174402.00	390	532
174403.00	390	695

Catalog No.	Page #	List \$
174404.00	390	878
174405.00	390	1,060
174406.00	390	338
174407.00	390	392
174408.00	390	532
174409.00	390	695
174410.00	390	878
174411.00	390	1,060
174412.00	390	392
174413.00	390	532
174414.00	390	695
174415.00	390	878
174416.00	390	1,060
174417.00	390	454
174418.00	390	454
174419.00	390	454
174422.00	365	396
174429.00	383	3,180
174430.00	383	3,901
174431.00	383	3,118
174432.00	383	3,819
174433.00	383	4,545
174434.00	383	3,440
174435.00	383	4,206
174436.00	383	4,976
174438.00	383	2,057
174439.00	383	2,456
174440.00	383	2,057
174441.00	383	2,456
174442.00	383	2,216
174443.00	383	2,626
174444.00	383	1,797
174445.00	382	1,151
174446.00	383	1,504
174447.00	383	1,574
174448.00	383	1,707
174452.00	383	732
174453.00	383	765
174454.00	383	821
174455.00	383	756
174456.00	383	888
174457.00	383	981
174458.00	383	1,169
174459.00	383	852
174460.00	383	917
174461.00	383	1,003
174462.00	383	1,106
174463.00	383	1,235
174464.00	383	981
174475.00	372	1,884
174482.00	370	1,801
174491.00	383	1,175
174492.00	382	1,021
174493.00	383	977
174494.00	383	1,080
174495.00	383	1,309
174497.00	383	1,395
174500.00	383	5,282
174510.00	370	13,374
174511.00	370	11,963
174512.00	370	11,455
174513.00	370	10,309
174515.00	372	2,080
174517.00	372	2,752
174519.00	372	1,879
174520.00	372	2,089
174521.00	372	2,239



LEESON® Catalog Number Index

Motors, Sub-FHP Gearmotors, Drives and Accessories

Catalog No.	Page #	List \$
174525.00	372	2,354
174526.00	372	2,469
174527.00	371	1,921
174528.00	371	2,061
174529.00	371	2,157
174530.00	371	2,286
174531.00	371	2,402
174532.00	371	2,264
174533.00	371	2,566
174534.00	371	2,752
174535.00	371	3,142
174536.00	371	2,460
174537.00	371	2,746
174538.00	371	2,971
174539.00	371	3,362
174545.00	369	2,553
174549.00	370	3,918
174551.00	369	3,304
174552.00	369	3,583
174553.00	369	4,002
174554.00	370	4,421
174556.00	370	5,141
174557.00	369	4,360
174558.00	369	4,601
174559.00	369	5,283
174560.00	369	5,916
174561.00	369	6,104
174562.00	369	6,710
174563.00	369	7,197
174564.00	369	7,924
174565.00	369	7,836
174566.00	369	8,875
174567.00	369	9,031
174569.00	369	7,166
174571.00	369	8,598
174572.00	369	12,094
174573.00	369	13,358
174574.00	370	13,470
174575.00	370	14,960
174580.00	369	15,331
174581.00	370	16,628
174582.00	369	18,642
174583.00	370	20,083
174584.00	369	20,946
174585.00	370	22,819
174586.00	369	28,575
174593.00	369	11,007
174594.00	369	11,941
174595.00	370	9,422
174596.00	370	9,983
174597.00	370	9,894
174599.00	369	9,844
174603.00	378	571
174604.00	378	587
174605.00	378	654
174606.00	378	520
174607.00	378	546
174608.00	378	577
174609.00	378	643
174610.00	378	699
174611.00	378	885
174612.00	379	615
174613.00	379	661
174614.00	379	830
174615.00	379	991
174616.00	379	1,323
174617.00	379	1,634

Catalog No.	Page #	List \$
174618.00	379	2,540
174619.00	379	3,122
174620.00	379	631
174621.00	379	677
174622.00	379	734
174623.00	379	783
174624.00	379	922
174625.00	379	1,043
174626.00	379	1,321
174627.00	379	1,632
174628.00	379	2,547
174629.00	379	3,131
174630.00	379	3,886
174631.00	379	780
174632.00	379	870
174633.00	379	1,005
174634.00	379	1,136
174635.00	379	1,418
174636.00	379	1,749
174637.00	379	2,806
174638.00	379	3,614
174639.00	379	4,185
174651.00	378	824
174652.00	381	758
174653.00	381	864
174654.00	381	1,052
174655.00	381	682
174656.00	381	731
174657.00	381	855
174658.00	381	927
174659.00	381	1,109
174660.00	381	1,378
174661.00	381	1,853
174662.00	381	2,339
174663.00	381	951
174664.00	381	1,125
174665.00	381	1,301
174666.00	381	1,608
174667.00	381	2,035
174668.00	381	2,425
174671.00	381	817
174672.00	381	879
174673.00	381	951
174674.00	381	1,036
174675.00	381	1,181
174676.00	381	1,464
174677.00	381	1,844
174678.00	381	2,204
174693.00	391	251
174694.00	364	171
174695.00	364	171
174696.00	364	297
174697.00	391	263
174699.00	381	3,297
174700.00	381	4,495
174701.00	381	3,181
174702.00	381	4,261
174703.00	381	5,332
174704.00	381	6,152
174709.00	362	1,203
174710.00	379	7,045
174711.00	379	8,572
174729.00	372	1,995
174730.00	370	2,538
174732.00	371	3,344
174734.00	370	3,520
174735.00	371	4,116

Catalog No.	Page #	List \$
174737.00	370	4,441
174738.00	371	5,134
174740.00	370	5,355
174741.00	371	6,273
174743.00	370	6,876
174747.00	371	5,277
174749.00	370	5,508
174750.00	371	6,315
174752.00	370	7,062
174753.00	371	7,795
174755.00	370	8,154
174757.00	370	8,912
174759.00	371	4,545
174761.00	371	5,832
174763.00	370	6,210
174764.00	371	7,005
174766.00	370	7,560
174767.00	371	8,470
174769.00	370	9,016
174914.00	369	1,156
174915.00	369	1,213
174916.00	369	1,271
174917.00	369	1,358
174918.00	369	1,460
174919.00	369	1,726
174920.00	369	1,455
174921.00	369	1,596
174922.00	369	1,726
174923.00	369	1,942
174925.00	369	1,613
174926.00	369	1,783
174927.00	369	1,970
174928.00	369	2,149
174929.00	369	2,626
174930.00	368	1,091
174931.00	368	1,326
174932.00	368	1,469
174933.00	368	1,401
174934.00	368	1,542
174935.00	370	1,636
174936.00	370	1,777
174937.00	370	1,903
174938.00	370	2,059
174939.00	370	2,001
174940.00	370	2,208
174941.00	370	2,367
174942.00	370	2,616
174943.00	370	2,177
174944.00	370	2,428
174945.00	370	2,649
174946.00	370	2,851
174991.00	379	4,613
174992.00	379	5,129
174996.00	372	1,481
174997.00	368	1,315
174998.00	372	1,617
174999.00	372	1,770
175000.00	393	61
175003.00	120, 399	57
175004.00	120, 399	66
175024.00	399	102
175026.00	402	113
175032.00	403	85
175033.00	403	85
175034.00	403	102
175035.00	403	102
175036.00	403	132

Gearmotors

AC / DC Controls

Accessories / Kits

Mods / Factory Options

X-Ref / Index

Tech Information

Warnings/Cautions



LEESON® Catalog Number Index

Motors, Sub-FHP Gearmotors, Drives and Accessories

Gearmotors

AC / DC Controls

Accessories / Kits

Mods / Factory Options

X-Ref / Index

Tech Information

Warnings/Cautions

Catalog No.	Page #	List \$
175037.00	403	132
175038.00	403	163
175039.00	403	163
175040.00	403	248
175041.00	403	248
175042.00	403	270
175043.00	403	270
175044.00	403	356
175045.00	403	356
175046.00	403	469
175047.00	403	469
175048.00	403	844
175049.00	403	844
175050.60	398	339
175051.60	398	455
175052.60	398	794
175053.60	398	829
175054.60	398	1,239
175055.60	398	1,349
175056.60	398	1,528
175058.60	396	417
175059.60	396	540
175060.60	396	903
175061.60	396, 397	417
175062.60	396, 397	540
175063.60	396	903
175066.60	396	197
175067.60	396	300
175068.60	396	197
175075.00	393	72
175076.00	393	72
175077.00	393	72
175080.00	307	40
175082.00	307	51
175088.00	403	1,044
175089.00	403	1,044
175090.00	403	1,151
175091.00	403	86
175092.00	403	126
175093.00	403	148
175094.00	403	208
175095.00	403	277
175097.00	403	351
175098.00	403	469
175101.00	392	277
175106.00	300, 314	84
175107.00	300, 314	84
175108.00	300, 314	84
175109.00	300, 314	84
175114.60	392	454
175115.60	392	454
175116.60	392	581
175118.60	392	695
175119.60	392	695
175120.60	392	890
175121.60	392	890
175127.00	403	600
175129.00	300, 314	84
175130.00	300, 314	206
175137.00	300, 314	206
175142.00	300, 314	70
175143.00	300, 314	70
175144.00	300, 314	76
175145.00	300, 314	82
175146.00	300, 314	52
175156.00	307	301
175157.00	307	317

Catalog No.	Page #	List \$
175158.00	307	617
175159.00	307	704
175180.00	393	61
175181.00	393	72
175191.60	396, 397	300
175192.60	392	581
175199.60	396, 397	1,187
175290.00	364	551
175291.00	364	671
175292.00	364	671
175294.00	393	86
175297.00	393	61
175298.00	120, 399	57
175302.00	403	1,151
175303.00	393	154
175304.00	393	154
175305.00	126, 130, 400	116
175310.00	367	513
175311.00	367	650
175320.00	367	404
175321.00	367	404
175322.00	367	502
175323.00	367	497
175324.00	367	125
175325.00	367	30
175326.00	367	914
175454.60	396	540
175455.60	392	1,205
175558.00	400	3,786
175563.00	280	713
175564.00	280	713
175565.00	280	713
175566.00	156, 280	1,289
175567.00	156, 280	1,289
175568.00	156, 280	1,289
175569.00	280	818
175570.00	280	818
175571.00	280	818
175572.00	156, 280	1,387
175573.00	156, 280	1,387
175574.00	156, 280	1,387
175575.00	280	857
175576.00	280	857
175577.00	280	857
175578.00	280	1,429
175579.00	280	1,429
175580.00	280	1,429
175581.00	280	979
175582.00	280	1,663
175583.00	280	3,482
175584.00	280	4,501
175585.00	280	3,641
175586.00	280	4,588
175587.00	280	3,996
175588.00	280	4,759
175589.00	280	4,423
175590.00	280	5,315
175593.00	184, 297, 322	189
175594.00	184, 297, 322	392
175595.00	184, 297, 322	356
175596.00	184, 297, 322	144
175597.00	184, 297, 322	144
175598.00	184, 297, 322	392
175599.00	184, 297, 322	356
175601.60	396	903
175602.60	392	1,310
175603.60	396, 397	903

Catalog No.	Page #	List \$
175604.60	392	1,310
175605.60	396	1,187
175606.60	396	1,300
175607.60	392	1,688
175608.60	392	1,688
175614.00	126, 130, 400	82
175615.00	278	742
175619.60	294	808
175641.00	401	2,559
175642.00	401	2,559
175643.00	401	2,559
175644.00	401	2,559
175645.00	401	2,559
175646.00	393	61
175647.00	393	61
175649.00	402	101
175657.60	392	1,050
175658.60	392	308
175661.00	393	61
175663.60	398	233
175664.60	396, 397	1,300
175665.60	402	105
175666.60	402	68
175667.60	402	44
175668.60	402	40
175674.00	400	1,000
175675.00	400	1,044
175676.00	400	1,122
175677.00	400	1,347
175678.00	400	1,436
175684.00	401	1,555
175685.00	401	1,555
175686.00	401	2,510
175687.00	401	2,510
175691.00	393, 394, 398	86
175693.00	393	165
175694.00	392	290
175695.00	399	197
175696.00	278	1,822
175697.00	278	2,065
175698.00	278	1,822
175699.00	278	2,065
175710.60	278	338
175711.60	278	478
175720.00	363	1,313
175721.00	363	847
175722.00	363	147
175755.00	402	113
175762.00	278	742
175763.00	278	853
175764.00	278	977
175765.00	278	742
175766.00	278	853
175767.00	278	977
175768.00	278	721
175769.00	278	829
175770.00	278	949
175771.00	156, 279	1,433
175772.00	156, 279	1,511
175773.00	156, 279	1,592
175775.00	400	892
175778.00	399	102
175784.00	300, 314	82
175787.00	397	207
175788.00	397	309
175789.00	397	369
175790.00	397	437



LEESON® Catalog Number Index

Motors, Sub-FHP Gearmotors, Drives and Accessories

Catalog No.	Page #	List \$
175791.00	397	571
175792.00	399	66
175794.00	397	661
175795.00	397	1,040
175796.00	397	912
175797.00	397	1,162
175802.00	307	51
175804.60	396	197
175805.60	396, 397	197
175807.60	392	308
175810.60	294	146
175811.60	294	155
175812.60	294	207
175817.60	294	129
175818.60	294	141
175819.60	294	189
175827.60	294	155
175828.60	294	207
175829.60	294	390
175830.60	294	454
175831.60	294	631
175832.60	294	141
175833.60	294	189
175834.60	294	362
175844.00	393	165
175845.00	393	165
175846.00	126, 130, 399	116
175847.00	402	121
175849.00	399	116
175850.00	294	76
175850.30	294	76
175851.00	294	68
175851.30	294	68
175852.00	294	90
175852.30	294	90
175853.00	294	73
175853.30	294	73
175854.00	294	100
175854.30	294	100
175855.00	294	83
175855.30	294	83
175856.00	294	103
175856.30	294	103
175857.00	294	92
175857.30	294	92
175869.60	396, 397	197
175871.00	398	255
175872.00	398	142
175873.00	398	366
175874.00	398	366
175875.00	398	859
175879.00	400	2,981
175880.00	400	3,308
175881.00	402	19
175890.60	294	454
175891.60	398	1,528
175892.00	402	83
175893.00	356	46
175894.00	398	859
175895.00	400	1,000
175896.00	400	1,044
175897.00	401	1,815
175898.00	401	1,815
175900.00	295	66
175901.00	295	73
175902.00	295	83
175903.00	295	86

Catalog No.	Page #	List \$
175932.00	126, 130, 400	36
175955.60	392	1,050
175956.60	392	1,457
175957.60	392	1,457
175958.60	396, 397	1,438
175959.60	392	454
175960.00	401	1,253
175961.00	399	76
175962.00	130, 399	116
175963.00	130, 399	148
175969.00	393	61
175990.60	294	364
175991.60	294	362
175994.60	294	631
175995.60	294	808
176002.00	400	3,308
176004.60	396, 397	1,438
176024.00	395	197
176025.00	395	197
176026.00	395	300
176027.00	395	300
176028.00	395	417
176029.00	395	417
176030.00	395	540
176031.00	395	540
176032.00	395	738
176033.00	395	738
176034.00	395	929
176035.00	395	929
176036.00	395	1,300
176037.00	395	1,300
176038.00	395	1,438
176039.00	395	1,438
176044.60	399	174
176045.60	399	248
176046.60	399	334
176047.60	399	456
176048.60	399	554
176049.60	399	742
176050.60	399	742
176051.60	399	843
176052.60	399	907
176053.60	399	456
176054.60	399	843
176055.60	399	907
176056.00	397	2,000
176057.00	397	2,000
176058.00	397	2,000
176059.00	397	2,000
176064.00	395	83
176065.00	395	132
176066.00	395	271
176067.00	395	271
176068.00	395	419
176069.00	395	419
176070.00	395	540
176071.00	395	540
176072.00	395	726
176073.00	395	726
176074.00	395	673
176075.00	395	673
176076.00	395	1,179
176077.00	395	1,228
176090.60	405	122
176091.60	405	146
176092.60	405	181
176093.60	405	190

Catalog No.	Page #	List \$
176094.60	405	203
176095.60	405	220
176096.60	405	327
176097.60	405	512
176098.60	405	512
176105.00	374	315
176106.00	374	370
176107.00	374	411
176108.00	374	438
176109.00	374	507
176110.00	374	589
176111.00	374	671
176112.00	374	397
176113.00	374	452
176114.00	374	493
176115.00	374	520
176116.00	374	589
176117.00	374	671
176118.00	374	753
176120.00	374	658
176121.00	374	684
176122.00	374	712
176123.00	374	753
176124.00	374	807
176125.00	374	890
176127.00	374	740
176128.00	374	766
176129.00	374	794
176130.00	374	835
176131.00	374	890
176132.00	374	972
176133.00	376	329
176134.00	376	383
176135.00	376	424
176136.00	376	478
176137.00	376	561
176138.00	376	671
176139.00	376	807
176140.00	376	658
176141.00	376	725
176142.00	376	794
176143.00	376	931
176144.00	376	1,067
176145.00	376	1,247
176146.00	376	1,630
176147.00	376	1,957
176148.00	376	2,586
176149.00	376	3,355
176150.00	376	4,463
176151.00	376	5,463
176152.00	376	5,954
176154.00	405	119
176155.00	405	142
176156.00	405	176
176157.00	405	185
176158.00	405	197
176159.00	405	214
176161.00	405	318
176162.00	405	318
176163.00	405	498
176164.00	405	498
176177.00	281, 295	100
176178.00	281, 295	103
176179.00	281, 295	146
176180.00	281, 295	155
176181.00	281, 295	83
176182.00	281, 295	92

Gearmotors

AC / DC Controls

Accessories / Kits

Mods / Factory Options

X-Ref / Index

Tech Information

Warnings/Cautions



LEESON® Catalog Number Index

Motors, Sub-FHP Gearmotors, Drives and Accessories

Gearmotors

AC / DC Controls

Accessories / Kits

Mods / Factory Options

X-Ref / Index

Tech Information

Warnings/Cautions

Catalog No.	Page #	List \$
176183.00	281, 295	129
176184.00	281, 295	141
191200.40	173	705
191201.40	173	789
191202.40	174	783
191203.40	173	721
191204.40	173	814
191205.40	174	801
191206.40	173	792
191207.40	173	936
191208.40	174	934
191209.00	173	930
191290.40	174	973
191291.40	173	977
191414.40	173	885
191415.40	173	1,018
191417.00	173	1,065
191419.40	174	874
191420.40	174	1016
191421.00	174	1,062
191474.00	172	736
191475.00	172	829
191476.00	172	810
191477.00	172	957
191478.00	172	951
191479.00	172	999
191480.00	172	1,046
191481.00	172	1,043
191482.00	172	1,349
191483.00	172	1,323
191486.00	173	1,160
191487.00	173	1,217
191488.00	173	1,281
191489.00	173	1,269
191490.00	173	1,533
191491.00	173	1,505
191492.00	173	1,645
191507.00	174	801
191508.00	174	934
191528.00	173	1,069
191542.00	174	1,312
191543.00	172	684
191544.00	172	693
191545.00	172	706
191546.00	172	718
191547.00	172	732
191548.00	172	766
191558.00	173	1,204
191560.00	173	1,255
191561.00	173	1,245
191562.00	173	1,513
191563.00	173	1,477
191564.00	174	1163
191565.00	174	1186
191567.00	174	1204
191568.00	174	1,230
191569.00	174	1,420
191570.00	174	1,467
191891.00	223	308
191908.00	223	278
191949.00	173	814
191950.00	173	936
192010.00	286	281
192010.30	286	281
192011.00	286	292
192011.30	286	292
192012.00	286	499

Catalog No.	Page #	List \$
192012.30	286	499
192014.00	288	323
192014.30	288	323
192015.00	288	334
192015.30	288	334
192016.00	288	571
192016.30	288	571
192017.00	290	316
192017.30	290	316
192018.00	290	328
192018.30	290	328
192019.00	290	571
192020.00	286	323
192020.30	286	323
192021.00	286	342
192021.30	286	342
192022.00	286	533
192022.30	286	533
192024.00	288	372
192024.30	288	372
192025.00	288	385
192025.30	288	385
192026.00	288	616
192026.30	288	616
192027.00	290	369
192027.30	290	369
192028.00	290	374
192028.30	290	374
192029.00	290	616
192029.30	290	616
192030.00	286	351
192030.30	286	351
192031.00	286	356
192031.30	286	356
192032.00	286	558
192032.30	286	558
192034.00	288	384
192034.30	288	384
192035.00	288	396
192035.30	288	396
192036.00	288	637
192036.30	288	637
192037.00	290	375
192037.30	290	375
192038.00	290	390
192038.30	290	390
192039.00	290	637
192039.30	290	637
192040.00	286	366
192040.30	286	366
192041.00	286	387
192041.30	286	387
192042.00	286	597
192042.30	286	597
192044.00	288	404
192044.30	288	404
192045.00	288	430
192045.30	288	430
192046.00	288	677
192046.30	288	677
192047.00	290	396
192047.30	290	396
192048.00	290	425
192048.30	290	425
192049.00	290	677
192049.30	290	677
192050.30	286	415

Catalog No.	Page #	List \$
192051.30	286	424
192054.30	288	446
192055.30	288	467
192057.30	290	434
192058.30	290	456
192060.30	286	460
192064.30	288	506
192067.00	290	496
192088.00	292	281
192088.30	292	281
192089.00	292	292
192089.30	292	292
192097.00	292	328
192097.30	292	328
192098.00	292	342
192098.30	292	342
192106.00	292	351
192106.30	292	351
192107.00	292	356
192107.30	292	356
192115.00	292	366
192115.30	292	366
192116.00	292	387
192116.30	292	387
192124.30	292	415
192125.30	292	424
192133.30	292	460
192200.00	286	716
192200.30	286	716
192201.00	288	820
192201.30	288	820
192202.00	286	541
192202.30	286	541
192203.00	288	594
192203.30	288	594
192204.00	290	582
192204.30	290	582
192205.00	286	583
192205.30	286	583
192206.00	288	666
192206.30	288	666
192207.00	290	648
192207.30	290	648
192208.00	286	564
192208.30	286	564
192209.00	287	813
192209.30	287	813
192210.00	288	648
192210.30	288	648
192211.00	288	916
192211.30	288	916
192212.00	290	820
192212.30	290	820
192213.00	290	633
192213.30	290	633
192214.00	290	916
192214.30	290	916
192230.00	292	470
192230.30	292	470
192231.00	292	491
192231.30	292	491
192232.00	292	506
192232.30	292	506
192233.00	292	705
192233.30	292	705
192241.00	286	480
192241.30	286	480



LEESON® Catalog Number Index

Motors, Sub-FHP Gearmotors, Drives and Accessories

Catalog No.	Page #	List \$
192242.00	286	517
192242.30	286	517
192244.00	288	525
192244.30	288	525
192245.00	288	569
192245.30	288	569
192247.00	290	512
192247.30	290	512
192248.00	290	558
192248.30	290	558
192250.00	292	480
192250.30	292	480
192251.00	292	517
192251.30	292	517
192264.00	286	415
192265.00	288	446
192266.00	290	434
192267.00	292	415
193300.60	286	972
193301.60	287	943
193302.60	287	1,367
193303.60	287	1,005
193304.60	287	1,023
193305.60	287	1,657
193306.60	287	1,291
193307.60	287	1,244
193308.60	287	1,915
193309.60	287	1,619
193310.60	287	1,619
193311.60	287	2,302
193312.60	287	1,732
193313.60	287	1,920
193314.60	287	2,985
193315.60	287	2,806
193316.60	287	2,806
193317.60	287	3,833
193318.60	287	3,291
193319.60	287	3,470
193320.60	287	5,373
193321.60	287	4,006
193322.60	287	4,409
193323.60	287	6,740
193324.60	287	4,761
193325.60	287	4,957
193326.60	287	7,635
193327.60	287	6,777
193328.60	287	7,297
193329.60	287	11,468
193330.60	287	8,889
193331.60	287	10,121
193332.60	287	11,755
193333.60	288	1,117
193334.60	288	1,084
193335.60	288	1,529
193336.60	289	1,148
193337.60	289	1,166
193338.60	289	1,870
193339.60	289	1,446
193340.60	289	1,400
193341.60	289	2,130
193342.60	289	1,826
193343.60	289	1,826
193344.60	289	2,519
193345.60	289	1,950
193346.60	289	2,137
193347.60	289	3,394
193348.60	289	3,216

Catalog No.	Page #	List \$
193349.60	289	3,216
193350.60	289	4,242
193351.60	289	3,468
193352.60	289	3,657
193353.60	289	5,563
193354.60	289	4,170
193355.60	289	4,655
193356.60	289	4,984
193357.60	289	5,171
193359.60	291	1,084
193360.60	291	1,529
193361.60	291	1,148
193362.60	291	1,166
193363.60	291	1,870
193364.60	291	1,446
193365.60	291	1,400
193366.60	291	2,130
193367.60	291	1,826
193368.60	291	1,826
193369.60	291	2,519
193370.60	291	1,950
193371.60	291	2,137
193372.60	291	3,394
193373.60	291	3,216
193374.60	291	3,216
193375.60	291	4,242
193376.60	291	3,676
193377.60	291	3,877
193378.60	291	4,419
193379.60	292	943
193380.60	292	1005
193381.60	292	1023
193382.60	292	1,291
193383.60	292	1,244
193384.60	292	1,619
193385.60	292	1,619
193386.60	292	1,732
193387.60	292	1,920
193388.60	293	2,806
193389.60	293	2,806
193390.60	293	3,291
193391.60	293	3,470
193392.60	293	4,006
193393.60	293	4,409
193394.60	293	4,761
193395.60	293	4,957
193396.60	293	6,777
193397.60	293	7,297
193398.60	293	8,889
193399.60	293	10,121
193416.60	287	9,162
193417.60	287	10,265
193418.60	287	12,274
193419.60	287	10,429
193420.60	287	10,786
193421.60	287	12,592
193422.60	287	11,105
193423.60	287	11,262
193424.60	287	15,870
194000.00	173	2,683
194001.00	173	2,730
194002.00	173	3,099
194003.00	173	3,056
194004.00	173	4,243
194005.00	173	4,672
194006.00	173	4,455
194007.00	173	4,749

Catalog No.	Page #	List \$
194118.00	134	3,688
194119.00	134	4,103
194120.00	134	4,183
194121.00	134	4,634
194122.00	134	4,791
194123.00	134	4,851
194124.00	134	6,060
194125.00	134	6,151
194126.00	134	7,076
194127.00	134	7,112
194128.00	76	2,031
194181.00	258	7,517
194182.00	258	12,341
194183.00	258	10,655
194184.00	258	14,622
194185.00	258	13,326
194186.00	258	15,370
194187.00	258	16,564
194188.00	258	21,860
194189.00	258	21,923
194190.00	258	24,681
194191.00	258	25,070
194192.00	258	27,829
194193.00	258	28,712
194194.00	258	36,438
194195.00	258	29,701
194222.00	281, 295	1,188
194223.00	281, 295	1,354
194224.00	281, 295	1,425
194225.00	281, 295	1,720
194226.00	281, 295	1,805
194227.00	281, 295	2,097
194228.00	77	2,979
194229.00	77	5,232
194230.00	77	3,466
194231.00	77	5,612
194232.00	77	4,559
194233.00	77	7,765
194234.00	77	5,596
194235.00	77	8,826
194236.00	77	7,636
194237.00	77	10,340
194238.00	77	9,382
194239.00	77	12,173
194240.00	77	11,467
194241.00	77	17,950
194242.00	77	16,071
194243.00	77	18,731
194244.00	77	18,871
194245.00	77	23,816
194246.00	77	22,951
194247.00	77	25,365
199001.00	73	788
199002.00	73	950
199003.00	73	837
199004.00	73	788
199005.00	73	1,292
199006.00	73	970
199007.00	73	877
199008.00	73	1,604
199009.00	73	1,342
199010.00	73	1,137
199011.00	73	2,122
199012.00	73	1,333
199013.00	73	1,292
199014.00	73	2,591
199015.00	73	2,097

Gearmotors

AC / DC Controls

Accessories / Kits

Mods / Factory Options

X-Ref / Index

Tech Information

Warnings/Cautions



LEESON® Catalog Number Index

Motors, Sub-FHP Gearmotors, Drives and Accessories

Gearmotors

AC / DC Controls

Accessories / Kits

Mods / Factory Options

X-Ref / Index

Tech Information

Warnings/Cautions

Catalog No.	Page #	List \$
199016.00	73	1,970
199017.00	73	3,372
199018.00	74	2,548
199019.00	74	2,476
199020.00	74	3,862
199021.00	74	3,139
199022.00	74	2,893
199023.00	74	5,079
199024.00	74	3,666
199025.00	74	3,365
199026.00	74	5,449
199027.00	74	4,836
199028.00	74	4,426
199029.00	74	7,538
199030.00	74	5,520
199031.00	74	5,433
199032.00	74	8,568
199033.00	74	7,504
199034.00	74	7,414
199035.00	74	10,039
199036.00	74	9,321
199037.00	74	9,109
199038.00	74	11,818
199039.00	74	11,308
199040.00	74	11,133
199041.00	74	17,427
199042.00	74	15,795
199043.00	74	15,603
199044.00	74	18,186
199045.00	74	19,402
199046.00	74	18,321
199047.00	74	23,123
199048.00	74	22,655
199049.00	74	22,283
199050.00	74	24,626
199051.00	76	921
199052.00	76	910
199053.00	76	1,024
199054.00	76	877
199055.00	76	1,342
199056.00	76	1,274
199057.00	76	1,566
199058.00	76	1,533
199059.00	76	2,204
199060.00	76	2,123
199061.00	76	2,599
199062.00	76	2,540
199063.00	76	3,280
199064.00	76	3,023
199065.00	76	3,772
199066.00	76	3,631
199067.00	76	5,016
199068.00	76	4,633
199069.00	76	6,151
199070.00	76	5,687
199071.00	76	8,157
199072.00	76	7,765
199073.00	76	9,544
199074.00	76	9,356
199075.00	76	12,344
199076.00	76	11,235
199082.00	75	912
199083.00	75	901
199084.00	75	1,012
199085.00	75	983
199086.00	75	1,423
199087.00	75	1,245

Catalog No.	Page #	List \$
199088.00	75	1,503
199089.00	75	1,464
199090.00	129	1,749
199091.00	129	2,314
199092.00	133	1,346
199093.00	133	1,245
199094.00	133	1,417
199095.00	133	1,423
199096.00	134	1,733
199097.00	125	1,077
199589.00	129	1,059
199590.00	129	1,196
199685.00	50	769
199686.00	50	782
199687.00	50	679
199688.00	50	1,072
199689.00	50	716
199690.00	50	765
199691.00	50	1,248
199692.00	50	881
199693.00	50	989
199694.00	50	1,561
199695.00	50	1,130
199696.00	50	1,168
199697.00	50	1,946
199698.00	50	1,655
199699.00	50	1,893
199700.00	50	2,562
199701.00	50	1,907
199702.00	50	2,001
199703.00	50	3,122
199704.00	51	2,427
199705.00	51	2,362
199706.00	51	3,719
199707.00	51	3,003
199708.00	51	2,725
199709.00	51	4,359
199710.00	51	3,614
199711.00	51	3,425
199712.00	51	5,595
199713.00	51	4,405
199714.00	51	4,081
199715.00	51	6,441
199716.00	51	5,272
199717.00	51	4,852
199718.00	51	7,750
199719.00	51	6,964
199720.00	51	5,811
199721.00	51	9,526
199722.00	51	8,522
199723.00	51	7,577
199724.00	51	11,826
199725.00	51	10,196
199726.00	51	9,590
199727.00	51	15,518
199728.00	51	11,930
199729.00	51	12,875
199730.00	51	15,957
199731.00	51	18,558
199732.00	51	16,155
199733.00	51	20,346
199735.00	52	787
199736.00	52	827
199737.00	52	925
199738.00	52	1,004
199739.00	52	1,158
199740.00	52	1,340

Catalog No.	Page #	List \$
199741.00	52	1,358
199742.00	52	1,894
199743.00	52	2,208
199744.00	52	2,390
199745.00	52	2,652
199746.00	52	2,803
199747.00	52	3,083
199748.00	52	3,448
199749.00	52	3,724
199750.00	52	4,139
199751.00	52	4,336
199752.00	52	5,036
199753.00	52	4,987
199754.00	52	6,035
199755.00	52	6,691
199756.00	52	7,935
199758.00	52	9,707
199759.00	52	9,539
199763.00	129	1,266
199765.00	129	1,365
199766.00	131	992
199767.00	131	1,016
199768.00	131	1,383
199769.00	131	1,345
199770.00	125	934
199772.00	125	1,052
199773.00	126	1,347
199775.00	129	1,565
199777.00	129	1,767
199779.00	132	1,647
199780.00	132	1,836
199781.00	132	2,102
199782.00	132	2,263
199783.00	126	1,718
199784.00	126	1,618
199785.00	126	1,961
199786.00	126	2,019
199787.00	134	1,806
199788.00	134	1,987
199789.00	134	1,956
199816.00	52	7,049
199964.00	129	2,542
199965.00	129	3,128
199966.00	129	3,767
199967.00	129	3,799
199968.00	129	4,357
199969.00	130	4,404
199970.00	130	4,883
199971.00	130	4,946
199972.00	130	5,672
199973.00	130	5,938
199974.00	130	6,048
199975.00	132	3,228
199976.00	132	3,267
199977.00	132	3,512
199978.00	132	4,103
199979.00	132	4,183
199980.00	132	4,635
199981.00	132	4,427
199982.00	132	4,851
199983.00	132	5,736
199984.00	132	5,842
199985.00	132	6,090
199986.00	132	6,889
199987.00	126	3,621
199988.00	126	3,128
199989.00	126	3,761



LEESON® Catalog Number Index

Motors, Sub-FHP Gearmotors, Drives and Accessories

Gearmotors

AC / DC Controls

Accessories / Kits

Mods / Factory Options

X-Ref / Index

Tech Information

Warnings/Cautions

Catalog No.	Page #	List \$
199990.00	126	3,340
199991.00	126	4,358
199992.00	126	4,068
199993.00	126	4,884
199994.00	126	4,408
199995.00	126	5,672
199996.00	126	5,354
199997.00	126	5,967
199998.00	134	3,228
199999.00	134	3,267
6439191250	256	455
6439191251	256	492
6439191252	256	535
6439191253	256	624
6439191260	256	440
6439191261	256	478
6439191262	256	522
6439191263	256	609
6439191264	256	687
810001.00	84	11,599
810003.00	84	13,646
810005.00	84	15,017
810007.00	84	6,247
810011.00	84	7,785
810015.00	84	8,573
810019.00	84	10,843
810023.00	84	12,789
810027.00	84	16,461
810031.00	84	19,738
810066.00	84	4,584
810068.00	84	9,682
810087.00	84	24,047
810096.00	84	18,109
810097.00	84	21,709
810098.00	84	24,084
810099.00	84	29,344
810140.00	84	3,824
810157.00	84	3,236
810503.00	84	40,728
810546.00	83	1,817
810547.00	83	1,740
810548.00	83	1,580
811130.00	144	7,579
811131.00	144	7,472
811132.00	144	7,645
811133.00	144	6,968
811134.00	144	6,968
811135.00	144	6,968
811139.00	144	6,968
811320.00	83	2,171
811322.00	84	2,406
811367.00	84	33,362
811369.00	84	30,326
811371.00	84	34,407
811516.00	84	53,959
811529.00	84	68,399
811530.00	84	83,430
811541.00	95	944
811542.00	95	1,170
811544.00	95	1,228
811546.00	95	1,778
811547.00	95	1,508
811548.00	95	1,910
811549.00	95	1,760
811550.00	95	2,255
811551.00	95	2,135
811552.00	95	2,636

Catalog No.	Page #	List \$
811553.00	95	2,585
811554.00	95	3,267
811555.00	95	3,106
811556.00	95	4,036
811557.00	95	3,862
811558.00	95	5,010
811559.00	95	4,576
811560.00	96	6,151
811561.00	96	5,575
811562.00	96	8,168
811563.00	96	7,632
811564.00	96	10,525
811565.00	96	9,138
811566.00	96	12,659
811567.00	96	12,047
811568.00	96	15,963
811569.00	96	15,478
811570.00	96	21,621
811571.00	96	18,877
811586.00	96	24,614
811587.00	96	22,918
811588.00	96	29,567
811589.00	96	25,409
811590.00	96	37,403
811591.00	96	30,902
811592.00	96	47,171
811593.00	96	44,586
811594.00	96	45,479
811595.00	96	70,116
811596.00	96	57,811
811618.00	86	2,243
811619.00	86	1,944
811621.00	86	2,763
811622.00	86	3,047
811624.00	86	3,361
811625.00	86	2,322
811627.00	86	4,521
811628.00	86	3,645
811630.00	86	5,117
811631.00	86	4,338
811633.00	86	6,332
811635.00	86	6,888
811637.00	86	7,767
811639.00	87	7,920
811640.00	87	8,832
811643.00	95	1,175
811644.00	95	1,210
811646.00	95	1,258
811647.00	95	1,610
811648.00	95	1,988
811649.00	95	2,450
811650.00	95	3,006
811651.00	95	3,609
811652.00	95	4,407
811653.00	95	5,851
811654.00	95	7,128
811655.00	95	8,461
811656.00	96	9,952
811657.00	96	12,409
811658.00	96	15,221
811659.00	96	16,698
811660.00	96	19,564
811661.00	96	28,994
811662.00	96	32,994
811663.00	96	36,918
811664.00	96	45,191
821135.00	143	5,123

Catalog No.	Page #	List \$
824528.00	233	1,620
824529.00	233	1,727
824530.00	233	2,221
824531.00	233	2,326
824532.00	233	3,023
824533.00	233	3,195
824534.00	233	3,799
824535.00	233	4,430
824536.00	233	5,743
824537.00	233	7,233
824538.00	233	10,122
824539.00	233	12,601
824540.00	233	15,604
824541.00	233	20,088
824542.00	233	23,920
824543.00	233	28,551
824544.00	233	27,590
824554.00	233	2,126
824555.00	233	2,138
824556.00	233	3,383
824557.00	233	3,595
824558.00	233	3,890
824559.00	233	4,300
824560.00	233	5,988
824561.00	233	6,006
824562.00	233	10,179
824563.00	233	10,486
824564.00	233	13,589
824565.00	233	14,293
824566.00	233	20,864
824567.00	233	23,194
824568.00	233	26,232
824569.00	233	33,338
824570.00	233	36,931
824573.00	234	2,036
824574.00	234	2,816
824575.00	234	2,753
824576.00	234	2,990
824577.00	234	3,443
824578.00	234	4,223
824579.00	234	4,842
824580.00	234	5,019
824581.00	234	3,985
824582.00	234	5,799
824583.00	234	6,351
824584.00	234	7,761
824585.00	234	7,979
824586.00	234	8,449
825071.00	111	1,964
825072.00	111	2,949
825073.00	111	2,920
825074.00	111	3,097
825075.00	111	3,074
825076.00	111	3,918
825077.00	111	4,591
825078.00	111	5,263
825079.00	111	5,235
825080.00	111	5,449
825081.00	111	5,390
825082.00	111	6,124
825083.00	111	7,958
825084.00	111	9,794
825085.00	107	1,746
825086.00	107	1,840
825087.00	107	1,809
825088.00	107	2,823
825089.00	107	2,791



LEESON® Catalog Number Index

Motors, Sub-FHP Gearmotors, Drives and Accessories

Gearmotors

AC / DC Controls

Accessories / Kits

Mods / Factory Options

X-Ref / Index

Tech Information

Warnings/Cautions

Catalog No.	Page #	List \$
825090.00	107	2,962
825091.00	107	2,949
825092.00	107	3,994
825093.00	107	3,978
825094.00	107	4,185
825095.00	107	4,153
825096.00	108	5,400
825097.00	108	4,851
825098.00	108	5,510
825099.00	108	5,465
825100.00	108	7,620
825101.00	108	7,341
825102.00	108	9,586
825103.00	108	9,524
825104.00	108	13,696
825105.00	108	13,114
825106.00	108	15,827
825107.00	108	15,624
825108.00	108	21,410
825109.00	108	19,037
825110.00	108	29,555
825111.00	108	24,834
825112.00	108	34,592
825113.00	108	28,943
825114.00	108	42,213
825115.00	108	34,208
825116.00	110	1,820
825125.00	111	1,840
825126.00	111	1,840
825127.00	111	1,964
825128.00	110	1,952
825190.00	110	1,952
825192.00	110	2,905
825193.00	110	3,080
825194.00	110	3,056
825196.00	110	4,572
825198.00	110	5,218
825201.00	92	5,775
825202.00	92	6,145
825203.00	92	7,374
825204.00	92	7,544
825339.00	108	40,563
825348.00	110	2,930
825387.00	92	9,170
825403.00	59	3,749
825404.00	107	1,487
825405.00	107	1,683
825406.00	107	2,156
825407.00	107	2,763
825408.00	107	3,308
825409.00	107	3,990
825410.00	107	5,542
825411.00	107	6,462
825412.00	108	9,511
825413.00	108	10,340
825414.00	108	12,434
825415.00	108	13,453
825416.00	108	16,799
825417.00	108	19,562
825418.00	108	27,952
825419.00	108	32,135
825420.00	108	34,541
825421.00	108	49,114
825431.00	108	43,265
825432.00	108	47,553
850794.00	143	6,095
850795.00	143	5,123

Catalog No.	Page #	List \$
850798.00	144	7,130
850841.00	143	5,123
850842.00	143	5,123
851034.00	198	3,837
851041.00	143	4,085
851042.00	143	4,641
851043.00	144	5,707
851110.00	143	5,317
851111.00	143	5,247
851112.00	143	5,140
851113.00	143	5,317
851114.00	143	4,085
851115.00	143	4,085
851116.00	143	4,085
851117.00	143	5,610
851118.00	143	5,610
851119.00	143	5,610
851120.00	143	5,610
851121.00	143	4,641
851122.00	143	4,641
851123.00	143	4,641
851124.00	143	5,680
851125.00	143	5,680
851126.00	143	5,680
851127.00	143	5,680
851128.00	143	5,260
851129.00	143	5,260
851130.00	143	5,260
851131.00	143	5,260
851132.00	143	6,095
851133.00	143	6,095
851134.00	143	6,095
851136.00	144	7,304
851137.00	144	7,235
851138.00	144	7,129
851139.00	144	7,304
851140.00	144	5,707
851141.00	144	5,707
851142.00	144	5,707
851150.00	29	3,119
900282.01	365	52
A009580.00	209, 230	520
A009581.00	209, 230	551
A009594.00	209, 230	683
A009595.00	209, 230	758
A009644.00	220	824
A009782.00	209, 230	573
A090405.00	222	346
A090585.00	222	425
A090602.00	222	329
A099250.00	220	488
A099251.00	220	492
A099260.00	196, 226	379
A099261.00	196, 226	481
A099460.00	209, 229	388
A099461.00	209, 229	415
A099462.00	209, 229	453
A099836.00	196	509
A099847.00	196, 226	661
A099899.00	209, 229	359
A099900.00	209, 229	383
A099901.00	209, 229	425
A099946.00	196, 226	463
B176025.00	395	197
B176026.00	395	300
B176027.00	395	300
B176028.00	395	417

Catalog No.	Page #	List \$
B176029.00	395	417
B176065.00	395	132
B176066.00	395	271
B176067.00	395	271
B176068.00	395	419
B176069.00	395	419
B199005.00	73	1,245
B199008.00	73	1,515
B199009.00	73	1,152
B199010.00	73	1,114
B199011.00	73	2,102
B199012.00	73	1,297
B199013.00	73	1,269
B199014.00	73	2,557
B199015.00	73	2,013
B199016.00	73	1,923
B199017.00	73	3,372
B199018.00	74	2,451
B199019.00	74	2,406
B199020.00	74	3,773
B199021.00	74	3,030
B199022.00	74	2,814
B199024.00	74	3,583
B199025.00	74	3,291
B199055.00	76	1,318
B199056.00	76	1,248
B199057.00	76	1,516
B199058.00	76	1,498
B199059.00	76	2,178
B199060.00	76	2,097
B199061.00	76	2,562
B199062.00	76	2,506
B199063.00	76	3,239
B199064.00	76	2,984
B199065.00	76	3,737
B199066.00	76	3,596
B199086.00	75	1,332
B199087.00	75	1,164
B199088.00	75	1,404
B199089.00	75	1,368
B199688.00	50	1,072
B199691.00	50	1,248
B199693.00	50	989
B199694.00	50	1,561
B199695.00	50	1,130
B199696.00	50	1,168
B199697.00	50	1,848
B199698.00	50	1,655
B199699.00	50	1,799
B199700.00	50	2,435
B199701.00	50	1,811
B199702.00	50	1,902
B199703.00	50	2,966
B199704.00	51	2,306
B199705.00	51	2,243
B199707.00	51	2,852
B199708.00	51	2,589
B199710.00	51	3,519
B199739.00	52	1,158
B199740.00	52	1,340
B199741.00	52	1,358
B199742.00	52	1,894
B199743.00	52	2,098
B199744.00	52	2,271
B199745.00	52	2,519
B199746.00	52	2,663
B199747.00	52	2,929



LEESON® Catalog Number Index

Motors, Sub-FHP Gearmotors, Drives and Accessories

Gearmotors

AC / DC Controls

Accessories / Kits

Mods / Factory Options

X-Ref / Index

Tech Information

Warnings/Cautions

Catalog No.	Page #	List \$
B199748.00	52	3,275
B199749.00	52	3,538
B199750.00	52	4,007
E100000.00	17	467
E100001.00	17	517
E100002.00	17	564
E100004.00	17	569
E100006.00	17	499
E100007.00	17	547
E100010.00	24, 213	522
E100011.00	24, 213	577
E100014.00	24, 213	557
E100015.00	24, 213	574
E100018.00	20	542
E100019.00	20	581
E100020.00	20	571
E100023.00	20	470
E100024.00	20	525
E100025.00	20	565
E100027.00	41	424
E100045.00	24, 213	567
E100052.00	17	456
E100053.00	17	532
E100054.00	20	466
E100055.00	20	545
E100056.00	46	477
E100063.00	24, 213	497
E100064.00	24, 213	560
E100109.00	24, 213	455
E100110.00	24, 213	517
E100111.00	24, 213	433
E100115.00	17	452
E100116.00	17	405
E100184.00	17	422
E100210.00	54, 216	470
E100336.00	17	392
E100337.00	17	433
E100338.00	17	547
E100340.00	17	518
E100354.00	20	413
E100355.00	20	427
E100356.00	20	449
E100357.00	20	547
E100375.00	46	442
E100378.00	46	482
E100446.00	41	456
E100588.00	17	515
E100600.00	48	507
E100603.00	25, 214	555
E101015.00	24, 213	423
E101423.00	17	452
E101431.00	24, 213	485
E101432.00	24, 213	489
E101433.00	25, 214	545
E101434.00	24, 213	424
E101447.00	41	435
E101448.00	41	468
E101449.00	41	477
E101520.00	54, 216	542
E101521.00	20	480
E101522.00	20	533
E101611.00	24, 213	577
E101639.00	54, 216	436
E101640.00	54, 216	556
E101641.00	54, 216	576
E101651.00	22	586
E101773.00	54, 216	494

Catalog No.	Page #	List \$
E102695.00	46	456
E102971.00	48	511
E103014.00	46	426
E103017.00	41	462
E103021.00	48	478
E103023.00	22	536
E103024.00	22	455
E103025.00	22	549
E103083.00	22	557
E103084.00	22	587
E104018.00	17	678
E110000.00	18	735
E110002.00	17	1,026
E110003.00	17	1,040
E110004.00	18	726
E110005.00	18	827
E110007.00	25, 214	750
E110027.00	41	762
E110028.00	41	797
E110036.00	20	764
E110037.00	21	860
E110052.00	54, 216	741
E110054.00	214	728
E110097.00	18	572
E110111.00	46	492
E110167.00	18	748
E110220.00	20	735
E110360.00	18	557
E110361.00	18	776
E110363.00	18	1,018
E110381.00	20	1,049
E110382.00	20	1,128
E110384.00	20	596
E110387.00	21	809
E110388.00	21	840
E110390.00	21	872
E110425.00	41	722
E110426.00	41	485
E110433.00	54, 216	795
E110434.00	46	777
E110437.00	46	737
E110478.00	25, 214	590
E110579.00	25, 214	868
E111310.00	42	832
E111311.00	54, 216	756
E113027.00	25, 214	713
E113266.00	18	852
E113281.00	22	962
E113293.00	42	835
E113334.00	21	957
E113335.00	21	917
E113336.00	21	827
E113337.00	20	613
E113608.00	25, 214	948
E113631.00	18	776
E113632.00	18	900
E113633.00	25, 214	922
E113700.00	22	888
E113846.00	54, 216	812
E113847.00	54, 216	888
E113894.00	47	819
E113895.00	54, 216	608
E113896.00	54, 216	689
E113897.00	54, 216	852
E113930.00	22	746
E113932.00	22	850
E114192.00	54, 216	526

Catalog No.	Page #	List \$
E114194.00	54, 216	758
E114196.00	54, 216	838
E114197.00	54, 216	874
E114214.00	22	854
E114215.00	22	938
E114218.00	48	831
E114420.00	47	851
E114934.00	46	522
E115825.00	41	719
E115826.00	42	815
E115827.00	41	614
E116704.00	18	952
E116706.00	19	945
E116707.00	22	987
E116728.00	46	814
E116738.00	41	502
E116740.00	46	757
E116741.00	46	790
E116742.00	47	889
E116752.00	41	689
E116753.00	41	682
E116754.00	41	719
E116755.00	42	804
E116756.00	42	815
E116762.00	48	535
E116763.00	48	766
E116764.00	48	792
E116765.00	48	896
E116769.00	22	598
E116770.00	22	808
E116771.00	22	915
E116784.00	48	516
E116785.00	48	752
E119348.00	17	632
E119349.00	20	653
E119350.00	22	650
E119351.00	41	496
E119352.00	46	515
E119353.00	48	529
E119360.00	54, 216	549
E119361.00	54, 216	589
E119362.00	25, 214	662
E119854.00	17	653
E119855.00	17	665
E119856.00	25, 214	682
E119857.00	20	682
E119858.00	25, 214	677
E119859.00	25, 214	660
E119860.00	25, 214	647
E119862.00	20	675
E119863.00	22	690
E119864.00	25, 214	673
E119879.00	54, 216	595
E119880.00	54, 216	620
E175921.00	85, 401	3,505
E175922.00	85, 401	2,251
E175923.00	85, 401	2,251
E175924.00	85, 401	2,251
E175925.00	85, 401	2,251
E175927.00	85, 401	3,505
E175928.00	85, 401	2,251
E175929.00	85, 401	2,251
E175930.00	85, 401	2,251
E175931.00	85, 401	2,251
ECB175926.00	85, 401	250
EX120024.00	270	521
EX120037.00	270	535



LEESON® Catalog Number Index

Motors, Sub-FHP Gearmotors, Drives and Accessories

Gearmotors

AC / DC Controls

Accessories / Kits

Mods / Factory Options

X-Ref / Index

Tech Information

Warnings/Cautions

Catalog No.	Page #	List \$
EX120038.00	270	573
EX121035.00	270	758
EX131491.00	270	728
EX131492.00	270	832
EX131528.00	270	1,070
EX131606.00	270	1,070
EX140109.00	270	1,282
EX151346.60	270	1,160
EX151348.60	270	1,365
EX151350.60	270	1,939
EX151352.60	270	2,444
EX151507.60	270	3,079
EX151508.60	270	3,701
EX151509.60	270	4,734
EX151510.60	270	5,462
EX151519.60	270	8,208
EXG120014.00	269	536
EXG120015.00	269	542
EXG120016.00	269	573
EXG120086.00	269	592
EXG120088.00	269	680
EXG120185.00	269	779
EXG120276.00	270	659
EXG121286.00	270	630
EXG121287.00	270	629
EXG130008.00	269	678
EXG130027.00	269	782
EXG130099.00	269	833
EXG130101.00	269	960
EXG130103.00	269	1,098
EXG130326.00	270	817
EXG130328.00	270	937
EXG131082.00	269	1,069
EXG140147.00	270	1,313
EXG140183.00	270	1,122
EXG140489.00	269	1,134
EXG140578.00	269	1,046
EXG140686.00	269	1,407
EXG140687.00	269	1,765
EXG150007.60	269	2,352
EXG150011.60	269	2,768
EXG150015.60	269	3,366
EXG150019.60	269	4,345
EXG150023.60	269	5,357
EXG150027.60	269	7,822
EXG150031.60	269	9,031
EXG150033.60	269	2,525
EXG150035.60	269	3,050
EXG150062.60	269	1,856
EXG150066.60	269	1,912
EXG150080.60	270	2,444
EXG150081.60	270	3,152
EXG150082.60	270	3,484
EXG150083.60	270	4,754
EXG150084.60	270	5,511
EXG150085.60	270	8,312
EXG150086.60	270	10,543
EXG150087.60	269	12,132
EXG150102.60	270	2,002
EXG150140.60	269	1,212
EXG150157.60	269	1,077
EXG150158.60	269	1,195
EXG150159.60	269	1,388
EXG150165.60	270	1,185
EXG150167.60	270	1,396
EXG150299.60	269	904
EXG150352.60	269	23,038

Catalog No.	Page #	List \$
EXG151317.60	269	1,854
EXG151318.60	269	2,975
EXG151320.60	269	874
EXG151322.60	269	927
EXG151369.60	269	16,107
EXG151371.60	269	18,072
EXG151563.60	269	895
EXG151565.60	270	947
EXG151566.60	270	1,039
EXG151680.60	270	13,188
EXG151696.60	269	575
EXG151698.60	269	635
EXG151702.60	269	581
EXG151703.60	269	617
EXG151704.60	269	730
G120032.00	242	604
G120081.00	46	616
G120082.00	46	792
G120172.00	46	575
G121050.00	274	2,104
G121178.00	109	1,371
G121350.00	170	1,084
G121561.00	178	1,929
G121617.00	155	2,528
G121618.00	155	2,622
G121626.00	181	1,635
G121627.00	181	1,636
G121629.00	181	1,944
G121664.00	47	762
G121668.00	46	626
G121748.00	187	1,854
G121851.00	129	659
G121853.00	129	760
G121855.00	131	659
G121856.00	131	719
G121858.00	131	664
G121859.00	131	815
G131465.00	242	746
G131466.00	242	860
G131489.00	47	779
G131490.00	47	819
G131558.00	274	2,434
G131562.00	129	902
G131574.00	129	1,110
G131579.00	131	876
G131581.00	131	1,140
G131594.00	150	2,361
G131595.00	150	1,905
G131780.00	47	1,169
G131883.00	125	933
G131885.00	126	1,124
G131967.00	153	1,739
G131996.00	181	2,472
G131997.00	181	2,726
G132027.00	132	1,474
G132249.00	65	904
G132250.00	46	828
G140108.00	47	1,334
G140516.00	59	2,310
G140619.00	129	1,484
G140622.00	132	1,556
G140623.00	132	1,918
G140655.00	126	1,445
G140667.00	126	1,534
G140668.00	126	1,753
G140688.00	47	1,333
G140737.00	150	2,805

Catalog No.	Page #	List \$
G140738.00	150	3,452
G141121.00	129	1,442
G150261.22	61	6,135
G150263.22	61	7,377
G150265.22	61	8,602
G150282.22	61	5,584
G151355.22	60	4,034
G151356.22	60	4,807
G151382.60	129	2,811
G151417.60	132	3,368
G151418.60	132	3,312
G151422.60	132	3,931
G151426.60	132	4,823
G151507.60	67	3,331
G151509.60	67	5,074
G151516.60	63	29,451
G151518.60	45	23,762
G151524.60	45	18,767
G151525.60	45	21,530
G151540.60	201, 227	1,692
G151541.60	201, 227	2,104
G151542.60	201, 227	2,931
G151567.60	132	2,493
G151569.60	132	2,720
G151570.60	132	2,942
G151682.60	47	1,953
G151684.60	47	2,386
G151685.60	47	2,731
G151686.60	47	2,908
G151687.60	47	3,185
G151736.60	133	625
G151737.60	133	644
G151738.60	133	1,171
G151741.60	133	1,186
G151742.60	134	1,445
G151743.60	134	1,358
G151747.60	134	2,505
G151754.60	134	5,136
G151828.60	201, 227	1,149
G151829.60	201, 227	2,301
G191220.00	174	1,045
G191542.00	174	1,312
G801029.00	130	3,654
G801040.00	130	3,524
G825071.00	108	42,353
G825072.00	108	34,998
G825116.00	110	1,785
G825128.00	110	1,930
G825188.00	110	2,867
G825190.00	110	1,909
G825192.00	110	2,837
G825193.00	110	3,010
G825194.00	110	2,988
G825195.00	110	3,808
G825196.00	110	4,462
G825197.00	110	5,115
G825198.00	110	5,088
G850818.00	108	37,330
G850819.00	108	41,136
LM03285	87	11,264
LM03333	87	12,425
LM03377	87	14,256
LM03425	87	16,475
LM03473	87	23,971
LM03517	87	31,272
LM03670	101	5,766
LM03683	101	6,002



LEESON® Catalog Number Index

Motors, Sub-FHP Gearmotors, Drives and Accessories

Gearmotors

AC / DC Controls

Accessories / Kits

Mods / Factory Options

X-Ref / Index

Tech Information

Warnings/Cautions

Catalog No.	Page #	List \$
LM03686	102	6,674
LM04003	87	4,294
LM06103	83	1,713
LM06105	83	2,137
LM06121	83	3,383
LM06125	84	2,434
LM08476	404	214
LM08478	404	214
LM08582	404	310
LM08664	404	310
LM08665	404	310
LM08709	404	310
LM08720	404	353
LM08738	404	353
LM08827	404	1,063
LM10336	83	598
LM10338	83	818
LM10339	83	777
LM10340	83	1,494
LM10346	87	2,258
LM10347	87	2,357
LM10349	87	2,438
LM10350	87	3,325
LM12429	404	236
LM12430	404	710
LM12454	404	1,146
LM12463	404	1,483
LM12479	404	1,483
LM13557	63	29,808
LM13699	62	9,234
LM13701	62	9,121
LM13704	62	19,933
LM13707	63	23,121
LM13709	63	36,245
LM13710	63	28,594
LM13711	63	33,145
LM13712	63	36,407
LM13713	63	36,000
LM13714	63	40,429
LM13715	63	54,511
LM13716	63	39,409
LM13719	63	59,357
LM13724	71	8,887
LM13726	72	9,443
LM13728	72	9,484
LM13730	72	23,987
LM13731	72	20,963
LM13733	72	29,607
LM13734	72	24,141
LM13736	72	37,122
LM13737	72	29,643
LM13761	45	23,813
LM13762	45	21,964
LM13764	45	27,780
LM13765	45	23,189
LM13767	45	31,444
LM13770	45	35,572
LM13771	45	33,338
LM13795	49	23,226
LM13813	44	8,437
LM13814	44	7,686
LM13817	45	16,586
LM13820	45	20,399
LM13822	45	29,777
LM13825	45	35,079
LM13826	45	29,564
LM13831	45	45,899

Catalog No.	Page #	List \$
LM13832	45	44,540
LM13837	49	8,616
LM13838	49	7,963
LM13839	49	8,620
LM13840	49	7,670
LM13940	62	14,911
LM13942	45	13,631
LM13943	44	12,799
LM13960	61	4,773
LM13961	61	4,058
LM13964	61	4,658
LM14408	238	8,930
LM14410	238	8,027
LM14411	238	9,121
LM14535	49	5,933
LM14561	240	6,697
LM14562	240	6,452
LM14564	240	8,399
LM14565	240	7,669
LM14642	100	36,959
LM14809	62	12,326
LM14811	62	12,343
LM14812	44	12,412
LM14813	44	11,418
LM14814	44	11,224
LM14815	44	11,622
LM15082	238	24,974
LM15119	238	23,109
LM15120	238	19,933
LM15121	238	21,552
LM15122	238	30,677
LM15123	238	30,166
LM15126	238	25,058
LM15129	238	39,409
LM15130	238	36,000
LM15138	238	54,511
LM15159	45	26,685
LM15263	72	15,743
LM15563	72	12,455
LM15565	72	10,439
LM15567	72	13,025
LM15568	72	12,509
LM15569	49	12,240
LM15570	49	11,547
LM15572	49	12,574
LM15670	61	2,696
LM15671	61	2,384
LM15672	60	2,854
LM15673	61	3,143
LM15674	61	2,991
LM15675	61	3,355
LM15869	60	1,570
LM15919	238	2,557
LM16029	60	1,866
LM16030	59	1,675
LM16031	61	1,966
LM16032	61	1,979
LM16033	60	1,943
LM16222	63	36,407
LM16226	45	33,021
LM16235	45	28,354
LM16237	45	41,693
LM16239	45	22,871
LM16383	237	908
LM16384	237	818
LM16388	237	1,713
LM16391	237	1,518

Catalog No.	Page #	List \$
LM16395	237	1,678
LM16572	404	303
LM16574	404	882
LM16577	404	1,242
LM16602	240	2,284
LM16644	100	1,241
LM16650	100	1,357
LM16719	72	18,730
LM16741	70	1,253
LM16744	70	1,776
LM16745	70	1,628
LM16748	70	2,036
LM16752	70	1,925
LM16753	70	2,787
LM16755	71	2,065
LM16757	71	2,035
LM16759	71	3,483
LM16762	71	2,868
LM16767	71	3,118
LM16769	71	6,199
LM16772	71	4,237
LM16774	71	5,507
LM16828	67	2,789
LM16919	100	2,236
LM17076	238	3,046
LM17079	238	2,991
LM17186	240	1,716
LM17187	240	1,655
LM17189	240	2,143
LM17190	240	2,064
LM17192	240	2,826
LM17193	240	2,546
LM17195	240	3,338
LM17196	240	3,161
LM17198	240	4,676
LM17199	240	4,237
LM17382	49	6,062
LM17384	49	7,922
LM17388	49	16,101
LM17389	49	12,967
LM17390	49	18,950
LM17953	63	31,163
LM17956	63	39,409
LM18290	238	15,029
LM18306	241	10,052
LM18307	238	14,911
LM18366	238	8,546
LM18369	238	12,326
LM18370	238	9,955
LM18372	238	10,780
LM18375	238	12,343
LM18376	238	12,826
LM18864	404	214
LM18865	404	214
LM18866	404	310
LM18867	404	353
LM18868	404	780
LM18869	404	353
LM18870	404	470
LM18871	404	1,282
LM18872	404	168
LM18873	404	214
LM18874	404	214
LM18875	404	214
LM18876	404	310
LM19530	116	12,277
LM19532	116	12,275



LEESON® Catalog Number Index

Motors, Sub-FHP Gearmotors, Drives and Accessories

Gearmotors

AC / DC Controls

Accessories / Kits

Mods / Factory Options

X-Ref / Index

Tech Information

Warnings/Cautions

Catalog No.	Page #	List \$
LM19534	116	23,370
LM19535	116	21,976
LM20029	116	5,429
LM20030	116	7,936
LM20037	240	10,549
LM20038	240	10,990
LM20040	240	13,423
LM20041	240	13,310
LM20043	240	18,730
LM20044	240	16,741
LM20086	238	4,658
LM20087	240	5,222
LM20088	240	5,507
LM20116	398	391
LM20389	115	3,853
LM20390	115	3,217
LM20391	115	2,166
LM20392	115	2,015
LM20394	115	2,977
LM20655	157	1,110
LM20657	158	1,168
LM20658	157	1,151
LM20660	158	1,207
LM20662	158	1,259
LM20664	158	1,316
LM20666	158	1,596
LM20675	158	1,559
LM20676	157	1,962
LM20707	115	1,463
LM20708	115	1,322
LM20709	115	1,577
LM21033	158	1,086
LM21036	158	1,149
LM21037	157	1,187
LM21039	158	1,244
LM21040	157	1,267
LM21042	158	1,324
LM21045	158	1,466
LM21061	157	1,206
LM21062	157	1,256
LM21063	157	1,540
LM21084	115	1,078
LM21085	115	1,187
LM21087	115	2,337
LM21088	116	4,047
LM21089	116	5,192
LM21091	116	8,177
LM21092	116	10,317
LM21093	116	16,130
LM21094	116	21,317
LM21118	90	5,929
LM21121	90	7,656
LM21124	90	10,741
LM21127	90	10,785
LM21148	90	768
LM21151	90	801
LM21153	90	846
LM21157	90	958
LM21159	90	1,226
LM21162	90	1,407
LM21165	90	1,654
LM21168	90	2,361
LM21171	90	2,613
LM21180	90	5,309
LM21189	88	1,156
LM21190	88	1,066
LM21192	88	1,343

Catalog No.	Page #	List \$
LM21193	88	1,186
LM21195	88	1,815
LM21196	88	1,683
LM21198	88	1,987
LM21199	88	1,849
LM21201	88	2,653
LM21202	88	2,514
LM21204	88	3,044
LM21205	88	2,912
LM21208	88	4,042
LM21211	88	4,474
LM21214	88	6,171
LM21217	88	6,755
LM21220	88	9,019
LM21223	88	11,458
LM21227	88	14,841
LM21230	88	18,438
LM21233	88	21,329
LM21236	88	25,373
LM21238	88	30,535
LM21239	88	33,047
LM21378	115	1,173
LM21379	115	1,247
LM21380	115	1,256
LM21381	115	1,434
LM21384	115	2,648
LM21385	115	3,173
LM21388	116	10,463
LM21391	116	15,241
LM21665	115	4,417
LM21799	116	10,317
LM21807	116	5,192
LM21826	117	1,162
LM21827	117	1,256
LM21828	117	1,328
LM21829	117	1,524
LM21831	117	1,276
LM21832	117	1,406
LM21833	117	1,338
LM21836	117	1,702
LM21840	117	2,114
LM21841	117	2,264
LM21843	117	2,778
LM21844	117	3,139
LM21845	117	3,103
LM21846	117	3,345
LM21848	117	4,643
LM21850	117	4,269
LM21851	117	5,649
LM21853	117	7,163
LM21854	117	6,728
LM21856	117	8,305
LM21857	117	8,138
LM21859	117	11,061
LM21862	117	12,874
LM21866	117	15,952
LM21872	117	24,243
LM21877	117	17,008
LM21883	117	8,773
LM21886	117	10,915
LM21890	117	12,981
LM21893	117	5,567
LM21896	117	22,192
LM22093	404	214
LM22188	404	214
LM22645	89	670
LM22649	89	765

Catalog No.	Page #	List \$
LM22653	89	687
LM22655	89	776
LM22657	89	911
LM22659	89	776
LM22660	88	743
LM22661	89	796
LM22664	88	819
LM22665	89	874
LM22758	45	23,189
LM22759	45	33,338
LM22826	89	1,241
LM22827	89	1,151
LM22830	89	1,276
LM22833	89	1,596
LM22836	89	1,849
LM22839	89	2,646
LM22841	89	3,045
LM22909	100	36,959
LM23781	116	1,256
LM23782	116	1,406
LM23783	116	1,338
LM23784	116	2,778
LM24057	394	565
LM24059	394	1,122
LM24060	394	1,356
LM24061	394	1,356
LM24062	394	391
LM24063	394	508
LM24064	394	852
LM24065	394	1,122
LM24066	394	1,225
LM24067	394	1,225
LM24068	394	1,356
LM24069	394	1,356
LM24072	116	2,305
LM24073	57	480
LM24074	68	533
LM24075	57	516
LM24076	68	569
LM24077	64	551
LM24083	64	531
LM24093	64	435
LM24102	58	861
LM24103	57	711
LM24104	68	748
LM24105	57	695
LM24107	57	420
LM24114	68	473
LM24125	66	737
LM24128	64	715
LM24129	68	490
LM24130	65	738
LM24133	57	480
LM24134	68	537
LM24136	57	711
LM24140	68	766
LM24148	65	678
LM24151	64	480
LM24154	237	487
LM24158	239	634
LM24165	57	434
LM24169	42, 53, 250	659
LM24190	43	2,258
LM24193	42, 53, 250	1,514
LM24194	42, 53, 250	1,355
LM24199	43, 53, 250	2,604
LM24202	42, 53, 250	962



LEESON® Catalog Number Index

Motors, Sub-FHP Gearmotors, Drives and Accessories

Catalog No.	Page #	List \$
LM24208	61, 79, 250	2,695
LM24209	60	1,593
LM24222	42, 53, 250	858
LM24227	241	638
LM24231	241	1,232
LM24232	241	2,238
LM24258	113	707
LM24259	114	768
LM24262	114	845
LM24264	83	689
LM24265	68	1,240
LM24266	113	783
LM24268	113	927
LM24271	114	677
LM24273	68	766
LM24276	57	1,184
LM24277	48	392
LM24291	57	1,034
LM24295	237	704
LM24354	239	576
LM24355	239	540
LM24443	197, 226	647
LM24444	197, 226	743
LM24445	197, 226	610
LM24446	197, 226	743
LM24447	197, 226	472
LM24448	197, 226	520
LM24449	197, 226	575
LM24450	197, 226	670
LM24462	206	596
LM24463	206	679
LM24486	211, 232	522
LM24487	211, 232	464
LM24488	210, 231	445
LM24491	210, 231	522
LM24492	210, 231	464
LM24497	28	1,093
LM24507	21	878
LM24513	28	768
LM24515	28	883
LM24521	202, 206	926
LM24530	31	711
LM24531	28	728
LM24532	28	853
LM24534	29	1,000
LM24535	31	624
LM24539	32	767
LM24546	27	665
LM24550	17	460
LM24552	17	520
LM24597	27	434
LM24598	30	440
LM24599	30	523
LM24600	32	481
LM24602	27	496
LM24604	27	582
LM24606	27	508
LM24607	28	589
LM24610	28	679
LM24613	30	558
LM24614	31	596
LM24615	32	700
LM24616	32	790
LM24622	31	632
LM24627	27	496
LM24628	32	583
LM24631	394	72

Catalog No.	Page #	List \$
LM24677	18	883
LM24681	19	1,226
LM24682	249	1,160
LM24682	19	1,160
LM24683	19, 249	1,700
LM24684	19, 249	2,413
LM24687	18, 249	742
LM24706	27	426
LM24709	28	747
LM24710	28	728
LM24711	28	768
LM24712	29	950
LM24713	29	1,089
LM24714	29	1,023
LM24716	29	1,273
LM24718	29	1,519
LM24719	29	2,080
LM24720	29	2,008
LM24721	29	2,552
LM24722	29	2,606
LM24723	32	455
LM24725	32	456
LM24726	32	512
LM24727	32	590
LM24728	32	934
LM24729	33	1,006
LM24731	33	1,267
LM24733	30	405
LM24734	30	403
LM24735	30	673
LM24736	30	459
LM24738	30	480
LM24739	30	759
LM24740	31	569
LM24743	27	456
LM24744	28	504
LM24745	28	624
LM24746	28	883
LM24776	210, 230	732
LM24777	210, 230	979
LM24778	199, 228	1,267
LM24780	199, 228	2,073
LM24781	199, 228	1,679
LM24782	199, 228	2,633
LM24786	211, 232	566
LM24787	211, 232	642
LM24788	211, 232	791
LM24789	193	496
LM24790	193	582
LM24791	193	684
LM24792	193	782
LM24793	193	800
LM24794	193	883
LM24795	193	883
LM24797	193	1,353
LM24798	193	1,769
LM24799	193	2,181
LM24802	195	1,707
LM24803	195	2,079
LM24804	195	2,310
LM24805	195	2,606
LM24807	394	72
LM24808	393, 394	72
LM24809	211, 232	705
LM24810	393, 394	72
LM24811	397	72
LM24815	397	85

Catalog No.	Page #	List \$
LM24858	64	665
LM24871	41, 53, 250	569
LM24875	41, 53, 250	595
LM24877	42	665
LM24929	57	376
LM24946	68	428
LM24949	68	1,089
LM24964	64	402
LM24965	64	1,089
LM24967	64	1,240
LM25054	241	370
LM25061	241	523
LM25063	241	644
LM25068	241	663
LM25069	241	743
LM25070	241	711
LM25071	241	1,023
LM25112	114	783
LM25114	114	768
LM25115	113	619
LM25116	113	840
LM25117	114	677
LM25119	114	704
LM25121	114	845
LM25123	113	582
LM25124	113	523
LM25125	114	783
LM25126	113	562
LM25127	113	830
LM25128	114	680
LM25129	113	723
LM25131	114	640
LM25133	113	642
LM25134	114	986
LM25135	114	892
LM25136	114	640
LM25139	114	702
LM25149	114	680
LM25151	114	619
LM25153	114	583
LM25154	114	619
LM25158	114	583
LM25632	404	214
LM25637	58	919
LM25736	394, 397	139
LM25737	394	164
LM25738	394	164
LM25739	397	164
LM25740	394	210
LM25962	89	955
LM25991	88	878
LM26008	89	897
LM26081	89	891
LM26097	88	833
LM26098	88	844
LM26109	87	3,325
LM26233	83	1,680
LM26278	87	3,572
LM26323	89	1,063
LM26359	83	1,514
LM26679	398	164
LM27576	397	391
LM27681	397	282
LM27971	265	9,026
LM27976	263	8,151
LM28114	262	3,890
LM28115	262	3,890

Gearmotors

AC / DC Controls

Accessories / Kits

Mods / Factory Options

X-Ref / Index

Tech Information

Warnings/Cautions



LEESON® Catalog Number Index

Motors, Sub-FHP Gearmotors, Drives and Accessories

Gearmotors

AC / DC Controls

Accessories / Kits

Mods / Factory Options

X-Ref / Index

Tech Information

Warnings/Cautions

Catalog No.	Page #	List \$
LM28116	262	3,815
LM28117	262	3,815
LM28118	262	4,236
LM28119	262	4,236
LM28120	262	4,323
LM28121	262	4,323
LM28122	262	4,236
LM28123	262	4,236
LM28124	262	5,016
LM28125	262	5,016
LM28126	262	5,195
LM28127	262	5,195
LM28128	262	5,016
LM28129	262	5,016
LM28131	262	5,874
LM28132	263	6,038
LM28133	263	6,038
LM28134	263	5,874
LM28135	263	5,874
LM28136	263	6,693
LM28137	263	6,693
LM28138	263	7,305
LM28139	263	7,305
LM28140	263	6,693
LM28141	263	6,693
LM28142	263	7,601
LM28143	263	7,601
LM28144	263	8,151
LM28145	263	7,461
LM28146	263	7,461
LM28147	263	9,131
LM28148	263	9,131
LM28149	263	10,303
LM28150	263	10,303
LM28151	263	9,131
LM28152	263	9,131
LM28153	263	10,173
LM28154	263	10,173
LM28155	263	10,584
LM28156	263	10,584
LM28157	263	10,173
LM28158	263	10,173
LM28159	263	13,521
LM28160	263	13,521
LM28161	263	11,970
LM28162	263	11,970
LM28200	264	4,005
LM28201	264	4,005
LM28202	264	4,351
LM28203	264	4,351
LM28204	264	4,438
LM28205	264	4,438
LM28206	264	5,215
LM28207	264	5,215
LM28208	264	5,394
LM28209	264	5,394
LM28210	264	6,072
LM28211	264	6,072
LM28212	264	6,473
LM28213	264	6,473
LM28214	264	7,022
LM28215	264	7,022
LM28216	264	7,862
LM28217	264	7,862
LM28218	264	8,452
LM28219	264	8,452
LM28220	265	9,026

Catalog No.	Page #	List \$
LM28221	265	9,993
LM28222	265	9,993
LM28223	265	10,958
LM28224	265	10,958
LM28501	397	1,122
LM28624	397	565
LM28867	259, 261	1,241
LM28868	259, 261	1,241
LM28873	259, 261	1,692
LM28874	259, 261	1,692
LM28879	259, 261	2,139
LM28880	259, 261	2,139
LM28897	260, 261	4,386
LM28898	260, 261	4,386
LM28903	260	4,871
LM28904	260, 261	4,871
LM28909	260, 261	7,282
LM28910	260, 261	7,282
LM28914	260, 261	7,689
LM28968	60	1,776
LM29576	43	3,369
LM29577	43	3,905
LM29579	90	3,432
LM29656	267	1,157
LM29657	267	1,157
LM29658	267	1,157
LM29659	267	1,185
LM29660	267	1,185
LM29661	267	1,185
LM29662	267	1,291
LM29663	267	1,291
LM29664	267	1,291
LM29665	267	1,440
LM29666	267	1,440
LM29667	267	1,440
LM29668	267	1,845
LM29669	267	1,845
LM29670	267	1,845
LM29671	267	2,104
LM29672	267	2,104
LM29673	267	2,104
LM29850	259, 261	2,826
LM29851	259, 261	2,826
LM29852	259, 261	3,277
LM29853	260, 261	3,277
LM29936	90	3,905
LM30092	259, 261	1,352
LM30093	259, 261	1,765
LM30094	259, 261	1,765
LM30095	259, 261	2,238
LM30096	259, 261	2,238
LM30097	259, 261	2,692
LM30098	259, 261	2,692
LM30099	260, 261	3,467
LM30100	260, 261	3,467
LM30102	260, 261	4,428
LM30146	398	190
LM30147	398	282
LM30535	262	5,874
LM30561	265	786
LM30572	87	5,370
LM30647	263	7,714
LM30648	263	7,714
LM30649	263	9,498
LM30650	263	9,498
LM30655	264	3,929
LM30663	264	3,929

Catalog No.	Page #	List \$
LM30676	262	5,164
LM30677	262	5,445
LM30678	262	5,445
LM30679	262	4,323
LM30680	262	4,323
LM30681	262	4,761
LM30682	262	4,761
LM30696	242	4,245
LM30702	265	6,451
LM30720	263	5,195
LM30721	263	5,195
LM30722	263	6,038
LM30723	263	6,038
LM30724	263	6,915
LM30725	263	6,915
LM30727	90	10,937
LM30732	264	4,351
LM30733	264	4,351
LM30734	264	4,960
LM30735	264	4,960
LM30736	264	5,643
LM30737	264	5,643
LM30739	264	6,072
LM30740	264	6,072
LM30748	264	4,438
LM30749	264	4,438
LM30750	264	5,215
LM30751	264	5,215
LM30752	264	4,875
LM30753	264	4,875
LM30754	264	7,022
LM30755	264	7,022
LM30756	265	8,056
LM30757	265	8,056
LM30760	264	5,471
LM30762	265	6,451
LM30763	265	7,493
LM30764	265	7,493
LM30881	265	928
LM31014	397	210
LM31019	397	391
LM31393	262	5,164
LM31463	87	5,103
LM31607	264	5,471
LM31752	265	786
LM31777	267	619
LM32143	45	26,072
LM32284	397	852
LM32285	397	895
LM32286	397	895
LM32288	397	1,178
LM32290	397	1,215
LM32291	397	1,215
LM32292	397	1,343
LM32293	397	1,343
LM32396	405	189
LM32397	405	189
LM32398	405	189
LM32399	405	221
LM32401	405	251
LM32402	405	315
LM32403	405	563
LM32405	405	441
LM32407	405	504
LM32409	405	751
LM32411	405	1,320
LM32649	49	1,635



LEESON® Catalog Number Index

Motors, Sub-FHP Gearmotors, Drives and Accessories

Gearmotors

AC / DC Controls

Accessories / Kits

Mods / Factory Options

X-Ref / Index

Tech Information

Warnings/Cautions

Catalog No.	Page #	List \$
LM32651	260, 261	5,022
LM32652	72	9,443
LM32653	72	13,025
LM32654	71	4,214
LM32655	49	8,620
LM32656	49	11,509
LM32657	49	12,967
LM32659	72	15,743
LM32660	72	29,643
LM32663	260, 261	7,426
LM32665	72	12,455
LM32669	62	9,174
LM32671	62	7,689
LM32672	62	12,343
LM32674	44	8,437
LM32677	49	20,443
LM32678	66	815
LM32679	63	23,121
LM32680	242	8,876
LM32682	44	7,686
LM32686	62	9,234
LM32687	43	6,528
LM32691	242	2,561
LM32731	42	741
LM32740	43	1,436
LM32741	59, 79, 250	957
LM32743	43	1,919
LM32746	43	3,567
LM32748	43	3,369
LM32749	43	3,905
LM32753	44	11,418
LM32754	44	12,412
LM32755	44	11,622
LM32756	44	11,224
LM32757	44	12,799
LM32758	45	13,631
LM32759	45	12,946
LM32760	45	16,586
LM32761	45	20,399
LM32778	49	1,573
LM32781	49	2,569
LM32783	49	3,812
LM32785	49	3,693
LM32786	49	4,278
LM32787	49	11,547
LM32788	49	12,421
LM32789	49	16,614
LM32793	47	837
LM32796	58	775
LM32802	60	1,673
LM32803	60	2,755
LM32805	60, 79, 250	1,249
LM32807	60	3,260
LM32808	61	1,869
LM32809	61, 79, 250	1,542
LM32811	61	4,773
LM32813	61	5,209
LM32815	62	9,121
LM32819	62	14,911
LM32820	62	19,933
LM32822	68	799
LM32823	68	953
LM32825	69	836
LM32828	69	928
LM32829	69	907
LM32835	70	1,788
LM32836	70	2,913

Catalog No.	Page #	List \$
LM32839	70	3,423
LM32840	71	1,986
LM32841	71	1,641
LM32842	71	5,507
LM32843	72	9,484
LM32844	72	20,963
LM32845	72	24,141
LM32846	65	845
LM32848	66	929
LM32856	100	917
LM32857	100	1,142
LM32862	100	1,021
LM32869	100	1,770
LM32873	100	2,801
LM32876	100	3,611
LM32879	100	4,251
LM32882	100	5,022
LM32885	100	6,631
LM32887	100	7,723
LM32890	100	12,486
LM32893	100	14,166
LM32896	100	17,133
LM32899	100	21,818
LM32902	100	28,325
LM32905	100	32,226
LM33046	259, 261	3,235
LM33048	260, 261	3,752
LM33121	58	889
LM33122	58	812
LM33123	58	814
LM33124	59	888
LM33125	59	733
LM33247	241	1,004
LM33262	59	1,102
LM33266	79, 250	1,053
LM33337	66	830
LM33484	70	1,276
LM33485	70	1,101
LM33486	59	1,015
LM33487	60	1,186
LM33491	87	3,869
LM33492	83	2,121
LM33561	58	1,140
LM33562	58	1,667
LM33563	59	1,181
LM33564	59	1,403
LM33565	60	1,503
LM33566	68	1,526
LM33567	69	1,130
LM33569	69	1,249
LM33570	70	1,253
LM33571	70	1,628
LM33573	66	1,087
LM33574	66	888
LM33575	67	1,243
LM33591	83	1,824
LM33595	87	3,680
LM33601	237	1,015
LM33603	237	1,024
LM33611	239	1,242
LM33613	239	1,100
LM33615	239	1,416
LM33617	239	1,276
LM33621	242	992
LM33624	242	1,186
LM33803	63	53,361
LM34006	59	1,292

Catalog No.	Page #	List \$
LM34048	41	439
LM34049	41	472
LM34050	41	500
LM34051	41	512
LM34052	41	597
LM34053	41	730
LM34054	42	829
LM34055	48	533
LM34056	48	777
LM34057	48	809
LM34058	48	904
LM34059	20	527
LM34060	21	905
LM34061	241	477
LM34062	241	553
LM34063	241	610
LM34064	241	685
LM34065	241	745
LM34066	241	734
LM34067	241	772
LM34068	241	857
LM34069	241	873
LM34097	45	32,162
LM34101	100	36,450
LM34108	115	1,800
LM34109	116	7,439
LM34110	116	21,053
LM34112	117	1,858
LM34113	117	1,957
LM34114	117	2,212
LM34115	115	1,656
LM34117	237	2,861
LM34118	241	2,258
LM34119	241	3,905
LM34120	241	8,334
LM34121	241	11,622
LM34123	241	3,567
LM34126	241	3,369
LM34127	241	12,799
LM34128	242	2,258
LM34129	242	2,604
LM34130	242	4,056
LM34134	242	2,991
LM34139	58	784
LM34140	58	772
LM34141	58	601
LM34142	58	800
LM34144	59	847
LM34145	59	2,341
LM34149	242	9,038
LM34153	66	1,014
LM34154	65	965
LM34155	66	1,014
LM34158	65	915
LM34159	65	915
LM34160	66	962
LM34161	65	965
LM34162	65	962
LM34163	66	962
LM34165	66	1,053
LM34166	67	1,978
LM34167	68	947
LM34168	68	953
LM34169	68	663
LM34170	69	982
LM34171	69	846
LM34172	69	1,026



LEESON® Catalog Number Index

Motors, Sub-FHP Gearmotors, Drives and Accessories

Gearmotors

AC / DC Controls

Accessories / Kits

Mods / Factory Options

X-Ref / Index

Tech Information

Warnings/Cautions

Catalog No.	Page #	List \$
LM34173	69	851
LM34174	69	2,403
LM34178	113	775
LM34180	114	849
LM34181	114	849
LM34214	237	1,943
LM34215	237	1,186
LM34216	237	1,866
LM34217	237	1,979
LM34218	239	947
LM34221	239	663
LM34222	239	947
LM34223	239	982
LM34224	239	982
LM34225	239	846
LM34227	239	851
LM34228	239	1,026
LM34229	239	1,026
LM34230	239	2,036
LM34232	242	829
LM34233	242	858
LM34263	58	966
LM34264	59	967
LM34333	116	6,950
LM34334	117	2,760
LM34335	117	4,909
LM34336	117	7,643
LM34337	117	20,462
LM34340	238	36,114
LM34341	241	8,437
LM34342	241	11,418
LM34353	66	1,087
LM34354	115	1,889
LM34355	115	2,186
LM34356	116	1,857
LM34365	101	9,694
LM34366	101	9,679
LM34368	101	10,930
LM34370	101	12,825
LM34371	101	13,541
LM34373	101	19,239
LM34375	101	13,618
LM34377	101	14,898
LM34378	101	14,898
LM34380	101	17,470
LM34381	101	21,320
LM34382	101	22,284
LM34383	101	22,284
LM34389	102	9,818
LM34390	102	10,750
LM34391	102	13,953
LM34392	102	13,953
LM34393	102	14,485
LM34394	102	14,485
LM34395	102	14,810
LM34396	102	14,810
LM34397	102	15,157
LM34398	102	14,014
LM34399	102	18,435
LM34400	102	22,283
LM34403	102	11,358
LM34404	102	10,763
LM34405	102	12,603
LM34406	102	12,603
LM34407	102	15,214
LM34408	102	15,214
LM34409	102	15,970

Catalog No.	Page #	List \$
LM34410	102	15,970
LM34411	102	14,938
LM34412	102	15,385
LM34414	102	19,503
LM34416	157	1,358
LM34417	157	1,294
LM34418	157	1,513
LM34419	157	1,549
LM34420	157	1,807
LM34421	158	1,637
LM34422	157	2,299
LM34423	157	3,183
LM34424	157	2,926
LM34425	157	3,796
LM34426	157	3,343
LM34427	158	1,322
LM34428	158	1,440
LM34429	158	1,382
LM34430	158	1,599
LM34431	157	2,556
LM34432	238	24,926
LM34481	17	525
LM34528	63	40,676
LM34555	63	46,444
LM34573	63	38,729
LM80018	140	29,153
LM80020	140	30,192
LM80022	140	62,634
LM80027	139	5,165
LM80028	139	7,160
LM80029	139	5,799
LM80030	139	8,628
LM80031	139	7,995
LM80032	139	10,276
LM80033	139	10,084
LM80034	139	14,058
LM80035	139	12,184
LM80036	139	17,122
LM80037	139	16,285
LM80039	140	18,889
LM80041	140	23,360
LM80043	140	27,883
LM80045	140	29,153
LM80047	140	30,192
LM80049	140	62,634
LM80050	138	985
LM80051	138	985
LM80053	138	1,069
LM80055	138	1,134
LM80057	138	1,169
LM80059	138	1,582
LM80061	138	1,556
LM80063	138	1,675
LM80065	138	1,733
LM80067	138	2,361
LM80069	138	2,264
LM80071	138	2,852
LM80073	138	2,429
LM80075	138	3,690
LM80077	138	2,949
LM80078	139	4,380
LM80079	139	4,380
LM80080	139	3,526
LM80081	139	3,526
LM80082	140	64,388
LM80083	140	64,388
LM80084	139	6,133

Catalog No.	Page #	List \$
LM80085	139	6,133
LM80086	139	5,165
LM80087	139	7,160
LM80088	139	5,799
LM80089	139	8,628
LM80090	139	7,995
LM80091	139	10,276
LM80092	139	10,084
LM80093	139	14,058
LM80094	139	12,184
LM80095	139	17,122
LM80096	139	16,285
LM80098	140	18,889
LM80100	140	23,360
LM80102	140	27,883
LM80103	135	1,870
LM80104	135	1,870
LM80105	135	2,625
LM80106	135	2,625
LM80107	135	2,812
LM80108	135	2,812
LM80109	135	3,094
LM80110	135	3,094
LM80111	135	3,137
LM80112	135	3,137
LM80113	135	3,481
LM80114	135	3,481
LM80115	135	3,481
LM80116	135	3,481
LM80117	135	3,320
LM80118	135	3,320
LM80119	135	3,709
LM80120	135	3,709
LM80121	135	3,709
LM80122	135	3,709
LM80123	136	3,699
LM80124	136	3,699
LM80125	136	7,010
LM80126	136	7,016
LM80127	136	7,016
LM80128	136	7,016
LM80129	136	6,853
LM80130	136	7,284
LM80131	136	7,301
LM80132	136	7,301
LM80133	136	7,301
LM80134	136	7,301
LM80135	136	7,133
LM80136	136	7,133
LM80137	136	8,976
LM80138	136	8,976
LM80139	136	8,976
LM80140	136	8,976
LM80141	136	8,500
LM80142	136	8,500
LM80143	136	9,600
LM80144	136	9,600
LM80145	136	9,600
LM80146	136	9,600
LM80147	136	8,762
LM80148	136	8,762
LM80149	136	11,222
LM80150	136	11,222
LM80151	136	11,222
LM80152	136	11,222
LM80153	136	11,341
LM80154	136	11,341



LEESON® Catalog Number Index

Motors, Sub-FHP Gearmotors, Drives and Accessories

Gearmotors

AC / DC Controls

Accessories / Kits

Mods / Factory Options

X-Ref / Index

Tech Information

Warnings/Cautions

Catalog No.	Page #	List \$
LM80155	136	12,056
LM80156	136	12,056
LM80157	136	12,056
LM80158	136	12,056
LM80159	136	12,118
LM80160	136	12,118
LM80161	136	13,275
LM80162	136	13,275
LM80163	136	13,275
LM80164	136	13,275
LM80165	137	16,261
LM80166	137	16,261
LM80167	137	17,088
LM80168	137	17,088
LM80169	137	17,088
LM80170	137	17,088
LM80171	137	16,941
LM80172	137	16,941
LM80173	137	17,047
LM80174	137	17,047
LM80175	137	17,047
LM80176	137	17,047
LM80178	137	19,076
LM80180	137	25,309
LM80182	137	27,629
LM80183	139	5,165
LM80184	139	5,165
LM80185	139	7,995
LM80186	139	5,799
LM80187	139	5,799
LM80188	139	7,995
LM80189	139	10,084
LM80190	139	10,084
LM80191	139	12,184
LM80192	139	12,184
LM80193	139	16,285
LM80194	139	16,285
LM80195	140	18,889
LM80196	140	18,889
LM80197	140	23,360
LM80198	140	23,360
LM80199	140	27,883
LM80200	140	27,883
LM80201	140	29,153
LM80202	140	29,153
LM80203	140	30,192
LM80204	140	30,192
M002256.00	208	475
M002290.00	208	578
M009492.00	208	634
M009580.00	209, 230	520
M099251.00	220	492
M099260.00	196	379
M099261.00	196	447
M1110003.00	310	309
M1110006.00	319	282
M1110014.00	310	298
M1110015.00	310	319
M1110024.00	299, 313	425
M1110025.00	302, 318	388
M1110026.00	302, 318	437
M1115000.00	327	542
M1115001.00	327	542
M1115002.00	327	542
M1115018.00	337	608
M1115019.00	337	608
M1115020.00	337	608

Catalog No.	Page #	List \$
M1115021.00	337	608
M1115022.00	337	608
M1115024.00	329	777
M1115025.00	329	777
M1115026.00	329	777
M1115027.00	329	777
M1115028.00	329	715
M1115029.00	329	715
M1120013.00	310	331
M1120014.00	310	392
M1120027.00	310	424
M1120039.00	310	331
M1120040.00	319	331
M1120041.00	310	392
M1120042.00	310	428
M1120043.00	310	428
M1120044.00	319	437
M1120045.00	310	424
M1120046.00	319	463
M1120058.00	310	424
M1120059.00	310	392
M1120060.00	310	331
M1120062.00	310	447
M1120181.00	160, 311	531
M1120182.00	160, 311	553
M1120183.00	160, 311	538
M1120184.00	160, 311	560
M1120185.00	160, 311	586
M1120186.00	160, 311	608
M1125002.00	327	590
M1125003.00	327	590
M1125004.00	327	590
M1125005.00	327	560
M1125006.00	327	560
M1125033.00	327	560
M1125034.00	327	560
M1125035.00	327	590
M1125036.00	327	590
M1125037.00	327	590
M1125038.00	329	796
M1125039.00	329	733
M1125040.00	329	733
M1125041.00	329	733
M1125046.00	327	542
M1125047.00	327	542
M1125048.00	327	542
M1125050.00	347	565
M1125069.00	329	796
M1125070.00	329	796
M1125071.00	329	733
M1125072.00	329	733
M1125073.00	329	733
M1125074.00	329	733
M1125080.00	354	697
M1125081.00	354	697
M1125082.00	354	697
M1125083.00	354	697
M1125084.00	354	697
M1125092.00	329	796
M1125093.00	329	733
M1125094.00	329	715
M1125127.00	347	565
M1125128.00	347	565
M1125129.00	347	565
M1125130.00	347	543
M1125131.00	347	543
M1125132.00	347	526

Catalog No.	Page #	List \$
M1125133.00	347	526
M1125213.00	327	600
M1125214.00	327	637
M1125215.00	327	637
M1125217.00	329	796
M1125218.00	329	816
M1125219.00	329	750
M1125220.00	329	750
M1125247.00	331	672
M1125248.00	331	672
M1125249.00	331	672
M1125250.00	331	655
M1125251.00	331	655
M1125252.00	331	688
M1125253.00	331	688
M1125254.00	331	688
M1125255.00	331	672
M1125256.00	331	672
M1125261.00	163, 341	902
M1125262.00	163, 341	927
M1125263.00	163, 341	857
M1125264.00	163, 341	857
M1125265.00	163, 341	857
M1125266.00	163, 341	927
M1125267.00	163, 341	950
M1125268.00	165, 343	934
M1125269.00	165, 343	967
M1125270.00	165, 343	942
M1125271.00	165, 343	942
M1125272.00	165, 343	942
M1125273.00	165, 343	957
M1125274.00	165, 343	1,012
M1125275.00	167, 345	934
M1125276.00	167, 345	934
M1125277.00	167, 345	942
M1125278.00	167, 345	942
M1125279.00	167, 345	942
M1125280.00	167, 345	894
M1125281.00	167, 345	894
M1125282.00	358	723
M1125283.00	358	653
M1125284.00	358	600
M1125285.00	358	600
M1130053.00	310	439
M1130054.00	310	448
M1130055.00	310	464
M1130118.00	310	439
M1130119.00	310	448
M1130120.00	310	464
M1130136.00	313, 299	475
M1130137.00	313, 299	509
M1130138.00	313, 299	583
M1130139.00	313, 299	626
M1130140.00	313, 299	475
M1130141.00	313, 299	493
M1130142.00	313, 299	538
M1130143.00	313, 299	597
M1130146.00	298, 312	475
M1130147.00	298, 312	509
M1130148.00	298, 312	583
M1130149.00	298, 312	626
M1130150.00	298, 312	475
M1130151.00	298, 312	493
M1130152.00	298, 312	538
M1130153.00	298, 312	597
M1130206.00	302, 318	494
M1130207.00	302, 318	565



LEESON® Catalog Number Index

Motors, Sub-FHP Gearmotors, Drives and Accessories

Gearmotors

AC / DC Controls

Accessories / Kits

Mods / Factory Options

X-Ref / Index

Tech Information

Warnings/Cautions

Catalog No.	Page #	List \$
M1130296.00	302, 318	494
M1130297.00	302	565
M1130297.00	318	565
M1135038.00	337	701
M1135039.00	337	701
M1135040.00	337	701
M1135041.00	337	701
M1135042.00	337	755
M1135043.00	337	755
M1135044.00	337	755
M1135045.00	337	755
M1135046.00	337	755
M1135053.00	337	608
M1135054.00	337	608
M1135055.00	337	608
M1135056.00	337	608
M1135057.00	337	608
M1135058.00	337	701
M1135059.00	337	701
M1135060.00	337	701
M1135061.00	337	701
M1135062.00	337	755
M1135063.00	337	755
M1135064.00	337	755
M1135065.00	337	755
M1135066.00	337	755
M1135069.00	337	701
M1135106.00	333	785
M1135107.00	333	785
M1135108.00	333	822
M1135109.00	333	822
M1135110.00	333	822
M1135111.00	333	777
M1135112.00	333	777
M1135113.00	333	777
M1135114.00	333	777
M1135115.00	333	822
M1135116.00	333	777
M1135117.00	333	822
M1135139.00	333	785
M1135140.00	333	785
M1135141.00	333	822
M1135142.00	333	822
M1135143.00	333	822
M1135144.00	333	822
M1135145.00	333	822
M1135146.00	333	777
M1135147.00	333	777
M1135148.00	333	777
M1135149.00	333	777
M1135150.00	333	777
M1135243.00	333	801
M1135244.00	333	840
M1135245.00	333	840
M1135246.00	333	796
M1135249.00	337	715
M1135250.00	337	715
M1135251.00	337	766
M1135252.00	337	766
M1135284.00	339	745
M1135285.00	339	745
M1135286.00	339	756
M1135287.00	339	756
M1135288.00	339	756
M1135289.00	339	756
M1135290.00	339	756
M1135291.00	339	716

Catalog No.	Page #	List \$
M1135292.00	339	716
M1135293.00	339	780
M1135294.00	339	780
M1135295.00	339	780
M1135296.00	339	780
M1135297.00	339	780
M1140171.00	80, 91	372
M1140172.00	80, 91	431
M1140173.00	80, 91	401
M1145023.00	349	845
M1145024.00	349	768
M1145025.00	349	768
M1145026.00	349	768
M1145027.00	349	768
M1145028.00	349	768
M1145029.00	349	845
M1145030.00	349	917
M1145031.00	349	917
M1145032.00	349	917
M1145033.00	349	841
M1145034.00	349	841
M1145035.00	349	841
M1145037.00	354	945
M1145038.00	354	945
M1145039.00	354	945
M1145040.00	354	945
M1145041.00	354	945
M1145082.00	354	945
M1145122.00	358	723
M1145123.00	358	723
M1145124.00	358	653
M1145125.00	358	600
M1145126.00	358	600
M1145127.00	359	894
M1145128.00	359	894
M1145129.00	359	894
M1145130.00	359	894
M1145131.00	359	894
M1145138.00	168, 349	962
M1145139.00	168, 349	962
M1145140.00	168, 349	883
M1145141.00	169, 355	808
M1145142.00	169, 355	991
M1145143.00	169, 355	991
M1145144.00	168, 349	962
M1145145.00	168, 349	962
M1145146.00	169, 355	991
M1145147.00	169, 355	991
M1740005.00	363	441
M1740006.00	363	596
M1740007.00	363	245
M1740008.00	363	383
M1740009.00	363	285
M1760000.00	356	44
M1760003.00	356	56
M1760006.00	356	61
M1760007.00	356	44
M1760011.00	356	68
M1760012.00	356	46
M1760021.00	356	44
M1760029.00	356	71
M900195.00	222	253
M900196.00	222	298
M900197.00	222	390
M900277.00	222	488
M900599.00	222	610



MOTOR SELECTION

Electric motors are the workhorses of industry. Many applications exist where more than one motor can be used and/or the exact replacement is not available. LEESON makes every effort to maximize interchangeability, mechanically and electrically, where compromise does not interfere with reliability and safety standards. If you are not certain of a replacement condition, contact any LEESON Authorized Distributor or the LEESON District Sales Office.

SELECTION

Identifying a motor for replacement purposes or specifying a motor for new applications can be done easily if the following information is known:

1. Nameplate Data
2. Motor Type
3. Electrical and Performance Characteristics
4. Mechanical Construction

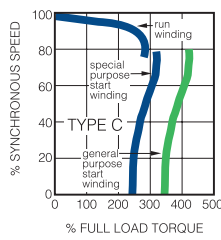
NAMEPLATE DATA

Nameplate data is the most important first step in determining motor replacement. Much of the information needed can generally be obtained from the nameplate of the motor to be replaced. Take time to record all the nameplate information because it can save time, avoid confusion and MISAPPLICATION.

MOTOR TYPE

Alternating current (AC) induction motors are divided into two electrical categories, based on power source—single phase and polyphase (three phase). Direct current (DC) motors are used in applications where precise speed control is required or when battery or generated direct current is the available power source.

TYPICAL SPEED TORQUE CURVES



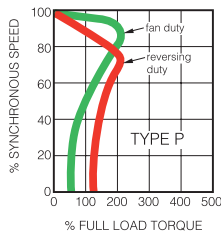
Capacitor Start/Induction Run

A single phase general purpose design, with an electrolytic capacitor in series with the start winding, offering maximum starting torque per ampere.

A centrifugal switch removes the auxiliary winding and capacitor when the motor approaches full load speed. The design is a heavy-duty unit which has approximately 300% (of full load) starting torque. Common applications include compressors, pumps, conveyors and other "hard-to-start" applications.

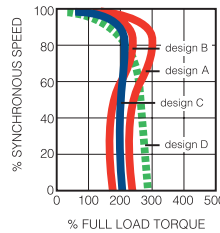
Capacitor Start/Capacitor Run

This design has two capacitors of different values. A centrifugal switch is used to remove the electrolytic capacitor when the motor approaches full load speed. A second run capacitor remains in series with the auxiliary winding during full load operation. This type of design has lower full-load amps as a result of the run capacitor and is consequently used on most higher horsepower single phase motors.



Permanent Split Capacitor (PSC)

This design has an auxiliary winding with a "run" capacitor, but unlike the capacitor start/induction run motor, the capacitor and auxiliary winding remain in the circuit under running conditions. (There is no centrifugal switch on this type motor.) A permanent split capacitor design has low starting torque and low starting current. They are generally used on direct-drive fans and blowers. They can also be designed for higher starting torque and intermittent applications, where rapid reversing is desired.

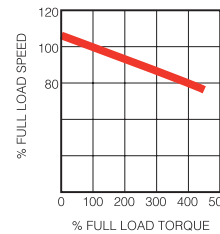


Three Phase or Polyphase

General purpose three phase motors have different electrical design classifications as defined by NEMA®. NEMA Design A and B motors are of normal starting torque with normal starting current. NEMA Design C motors have higher starting torque with normal starting current. All three types have slip of less than 5%. ("Slip" being a term which expresses, as a percentage, the difference between synchronous motor speed and full load motor speed, for example, 1800 rpm synchronous versus a full load speed of 1740 rpm.

NEMA's Design B and C standards are minimum performance standards. In practice, some manufacturers (including LEESON) build small integral HP Design B motors with locked rotor and breakdown torque levels equalling NEMA Design C standards.

NEMA T frame motors 1 through 200 HP covered by EAct (identified with a "G" catalog prefix) are labeled Design B, exceed NEMA Design B performance levels, and have efficiencies equal to EAct mandated levels. EAct exempt three phase, base-mounted motors are labeled Design C and have performance characteristics meeting NEMA's Design C standards, with standard motor efficiencies. Motors 250 HP and larger are exempt from EAct legislation.



Permanent Magnet DC

This design has linear speed/torque characteristics over the entire speed range. SCR rated motor features include high starting torque for heavy load applications and dynamic braking, variable speed and reversing capabilities. Designs are also available for use on generated low voltage DC power or remote applications requiring battery power.

ELECTRICAL AND PERFORMANCE CHARACTERISTICS

One of the best ways to guarantee economical performance and long motor life is to make sure your motors operate at nameplate voltage. Applying too high a voltage may reduce the motor's efficiency and increase operating temperatures. The net result is shorter motor life.

Under-voltage can also shorten motor life. Operating on too low a voltage reduces the motor's effective horsepower. The motor will attempt to drive the load it was intended to drive, become overloaded, draw more current than normal, and overheat. Again, the result will be premature failure.

ENCLOSURES AND ENVIRONMENT

DRIP-PROOF: Venting in end frame and/or main frame located to prevent drops of liquid from falling into motor within a 15° angle from vertical. Designed for use in areas that are reasonably dry, clean, and well ventilated (usually indoors). If installed outdoors, it is recommended that the motor be protected with a cover that does not restrict the flow of air to the motor.

TOTALLY ENCLOSED AIR OVER (TEAO): Dust-tight fan and blower duty motors designed for shaft mounted fans or belt driven fans. The motor must be mounted within the airflow of the fan.

TOTALLY ENCLOSED NON-VENTILATED (TENV): No vent openings, tightly enclosed to prevent the free exchange of air, but not airtight. Has no external cooling fan and relies on convection for cooling. Suitable for use where exposed to dirt or dampness, but not for hazardous (explosive) locations.

TOTALLY ENCLOSED FAN COOLED (TEFC): Same as the TENV except has external fan as an integral part of the motor, to provide cooling by blowing air around the outside frame of the motor.

TOTALLY ENCLOSED, HOSTILE AND SEVERE ENVIRONMENT MOTORS: Designed for use in extremely moist or chemical environments, but not for hazardous locations.

TOTALLY ENCLOSED BLOWER COOLED MOTORS (TEBC): Used to extend the safe speed range of inverter-fed motors. Similar to TEFC except a small, constant-speed fan provides uniform airflow regardless of the drive motor's operating speed.

EXPLOSION-PROOF MOTORS: These motors meet Underwriters Laboratories and Canadian Standards Association standards for use in hazardous (explosive) locations, as indicated by the UL label affixed to the motor. Locations are considered hazardous because the atmosphere does or may contain gas, vapor, or dust in explosive quantities.

NEMA® SERVICE FACTORS

HP	Enclosure	RPM		
		3600	1800	1200
1/4 - 1/3	Open	1.35	1.35	1.35
1/2 - 3/4	Open	1.25	1.25	1.25
1 & Larger	Open	1.15	1.15	1.15
All	Totally Enclosed	1.00	1.00	1.00

Most LEESON® Totally Enclosed Motors have 1.15 Service Factor. Refer to the Service Factor information on each page to identify specific totally enclosed motors with NEMA 1.00 Service Factor or LEESON 1.15 Service Factor. All drip-proof motors have NEMA Service Factors of 1.15 or higher. **All three phase totally enclosed motors have NEMA Service Factors of 1.15 except when noted (J).**

SCR PM DC MOTORS ON PWM POWER SUPPLIES

Pulse width modulated DC controls have a voltage output similar to pure direct current which has a form factor of 1.00. SCR thyristor drives, such as the SPEEDMASTER® controls, have a form factor of 1.4.

LEESON® stock SCR rated motors can also be used with PWM controls. In fact, the motor's HP rating can be increased because of less heating in the motor. In addition, the motor will operate quieter and the brush life will be extended.

Rated HP 1.40 FF	Rated RPM	Rated Volts	Catalog Number	Rated HP 1.05 FF
1/4	1750	90	098002	0.40
1/4	1750	180	098003	0.50
1/3	1750	90	098004	0.50
1/3	1750	90	108424	0.56
1/3	1750	180	098005	0.50
1/2	2500	90	098006	0.75
1/2	2500	180	098007	0.70
1/2	1750	90	098000	0.70
1/2	1750	90	108014	0.75
1/2	1750	90	108226	0.75
1/2	1750	180	098008	0.56
1/2	1750	180	108015	0.70
1/2	1750	180	108227	0.70
3/4	2500	90	098009	1.00
3/4	2500	90	108016	1.00
3/4	2500	180	098010	1.00
3/4	2500	180	108017	0.86
3/4	1750	90	098032	1.00
3/4	1750	90	108018	1.00
3/4	1750	90	108228	1.25
3/4	1750	180	098069	1.00
3/4	1750	180	108019	1.00
3/4	1750	180	108229	1.25
1	2500	90	108020	1.50
1	2500	180	108021	1.50
1	1750	90	108022	1.25
1	1750	90	108230	1.25
1	1750	180	108023	1.25
1	1750	180	108231	1.25
1 1/2	2500	180	108265	2.00
1 1/2	1750	180	108092	1.75
1 1/2	1750	180	108262	1.75
1 1/2	1750	180	108232	1.75
1 1/2	1750	180	128000	–
2	2500	180	108266	3.00
2	1750	180	128001	–
2	1750	180	128010	–
3	2500	180	128008	–
3	1750	180	108502	–

METRIC (IEC) DESIGNATIONS

The International Electrotechnical Commission (IEC) is a European-based organization that publishes and promotes worldwide mechanical and electrical standards for motors, among other things. In simple terms, it can be said that IEC is the international counterpart to the National Electrical Manufacturers Association (NEMA), which publishes the motor standards used in the United States.

IEC standards are expressed in metric units.

IEC ENCLOSURE PROTECTION INDEXES

Like NEMA, IEC has designations indicating the protection provided by a motor's enclosure. However, where NEMA designations are word descriptive, such as Open Drip-Proof or Totally Enclosed Fan Cooled, IEC uses a two-digit Index of Protection (IP) designation. The first digit indicates how well-protected the motor is against the entry of solid objects, the second digit refers to water entry.

By way of general comparison, an IP22 motor relates to Open Drip-Proof, IP54 to totally enclosed.

Protection Against Solid Objects		Protection Against Liquids	
No.	Definition	No.	Definition
0	No protection	0	No protection
1	Protected against solid objects of over 50 mm (e.g. accidental hand contact)	1	Protected against water vertically dripping (condensation)
2	Protected against solid objects of over 12 mm (e.g. finger)	2	Protected against water dripping up to 15° from the vertical
3	Protected against solid objects of over 2.5 mm (e.g. tools, wire)	3	Protected against rain falling at up to 60° from the vertical
4	Protected against solid objects of over 1 mm (e.g. thin wire)	4	Protected against water splashes from all directions
5	Protected against dust	5	Protected against jets of water from all directions
6	Totally protected against dust	6	Protected against jets of water comparable to heavy seas
		7	Protected against the effects of immersion to depths of between 0.15 and 1m
		8	Protected against the effects of immersion of depths greater than 1 m

IEC DESIGN TYPES

The electrical performance characteristics of IEC Design N motors in general mirror those of NEMA Design B—the most common type of motor for industrial applications. By the same token, the characteristics of IEC Design H are nearly identical to those of NEMA Design C. There is no specific IEC equivalent to NEMA Design D.

MOTOR EFFICIENCY TEST METHODS

Performance data of single phase motors is determined by using I.E.E.E. Std. 114 (Method B), three phase motors by I.E.E.E. Std. 112 (Method B). Motor efficiency is calculated using CSA C390. These testing methods meet the requirements of EPAct of 1992 and most utility companies.

For complete performance data on all LEESON motors, please review the Find-A-Product section on www.leeson.com.



Motors Designed For Use In The Automotive Industry

Automotive Duty 56 frame and U Frame motors (pages 233-240) are designed to meet automotive industry specifications from General Motors (GM-7EQ, GM-7EH), Ford (EM1) and Chrysler (NPEM-100). Actual qualifications for individual ratings are indicated in the footnotes on the price pages.

Automotive Duty T Frame motors are designed to meet or exceed Ford EM1-1996 specification (see footnotes on the price pages).

UL Recognized Component Listing

Low voltage (< 600 V) motors in frames 48-449T and 182U-445U listed in this catalog (excludes REW, SREW, SEW, SSEW, MD and SE models) carry UL Recognized Component Listing (contact Lincoln for file number).

Web: www.ul.com

NAFTA

A NAFTA (North American Free Trade Agreement) Certificate of Origin can be supplied on request.

Canadian Standards Association (CSA)

Low voltage (< 600 V) motors in frames 48-449T and 182U-445U listed in this catalog have Canadian Standards Association approval (contact Lincoln for file number).



Web: www.csa-international.org

CE (Conformité Européene)

Lincoln offers a variety of CE-compliant motors. Copies of Lincoln's Declaration of Conformity for the Low Voltage Directive and Manufacturer's Declaration for the Machinery Directive are available on request.

Motors for Hazardous Locations

NEMA defines an explosion-proof motor as follows: "a totally-enclosed machine designed and constructed to withstand an explosion of a specified gas or vapor which may occur within it and to prevent ignition of specified gas or vapor surrounding the machine by sparks, flashes or explosions of the specified gas or vapor which may occur within the machine casing".

Typical applications include petroleum and chemical plants or pipelines, gasoline pumps and natural gas compressors.

A **dust-ignition-proof** motor is "a totally enclosed machine whose enclosure is designed and constructed in a manner which will exclude ignitable amounts of dust or amounts which might affect performance or rating, and which will not permit arcs, sparks, or heat otherwise generated or liberated inside of the enclosure to cause ignition of exterior accumulations or atmospheric suspensions of a specific dust on or in the vicinity of the enclosure. Successful operation of this type of machine requires avoidance of overheating from such causes as excessive overloads, stalling, or accumulation of excessive quantities of dust on the machine".

Typical applications include grain elevators, coal handling equipment, feed and cereal mills, sugar refineries and chemical plants. Both types of motors are submitted to Underwriters Laboratories (UL) for approval.

The following is a brief description of the hazardous locations of both gaseous and dusty atmospheres as classified by the National Fire Protection Association's (NFPA) National Electrical Code (NEC) and printed from the 1996 Handbook. Consult the National Electrical Code for more information on explosion proof regulations.

Class 1 Group Classifications:

Class C - Atmospheres containing ethyl ether, ethylene, or gases or vapors of equivalent hazard.

Class D - Atmospheres such as acetone, ammonia, benzene, butane, cyclopropane, ethanol, gasoline, hexane, methanol, methane, natural gas, naphtha, propane, or gases or vapors of equivalent hazard.

Class 2 Group Classifications:

Group F - atmospheres containing carbonaceous dusts, including carbon black, charcoal, coal or coke dusts that have more than 8% total entrapped volatiles, or dusts that have been sensitized by other materials so that they present an explosion hazard.

Group G - atmospheres containing combustible dusts not included in Group E or F, including flour, grain, wood, plastic, and chemicals.

BAKING INDUSTRY SANITATION STANDARDS COMMITTEE

WASHGUARD® II, stainless steel washdown duty motors, NEMA frames 56, 143T, 145T, 182T and 184T are certified to Standard No. 29 for Electric Motors and Accessory Equipment, authorization number 769. The WBMQ Series of gear reducers are BISSC certified to Standard No. 29 for Electric Motors and Accessory Equipment, authorization number 941.

SAUDI ARABIAN STANDARDS ORGANIZATION

SCCP Ref. No.: R-100157

U.S. DEPARTMENT OF ENERGY (DOE)

Compliance Certification (CC) number: CC005A

The CE Mark

CE is an acronym for the French phrase "Conformite Europeene" and is similar to the UL or CSA marks of North America. However, unlike UL or CSA which require independent laboratory testing, the CE mark can be applied by the motor manufacturer through "self certifying" that its products are designed to the appropriate standards. The European Union has issued 24 directives related to the **CE** mark. Three Directives apply to electric motors.

Low Voltage Directive (2006/95/EC) This directive applies to electrical equipment operating in the voltage range of 50-1000 volts AC or 75-1500 volts DC. Virtually all LEESON® motors (except low voltage DC) are included in this directive.

Based on our testing to the applicable electrical and mechanical standards EN60034 and IEC 34, LEESON certifies conformity to this directive. All three phase 50 Hz stock motors comply with the nameplate designations, lead markings and connection diagrams required. A "Declaration of Conformity" accompanies these motors and a CE label is applied.

Machinery Directive (89/3392/EEC) This directive applies to machinery that may contain certain motors. This is an issue with equipment manufacturers and requires the use of a motor meeting the Low Voltage Directive and requires a "Declaration of Incorporation" document which means that only the motor complies with the requirements of the Low Voltage Directive. A CE label is applied to the motor but it remains the responsibility of the equipment manufacturer to obtain certification for the finished product.

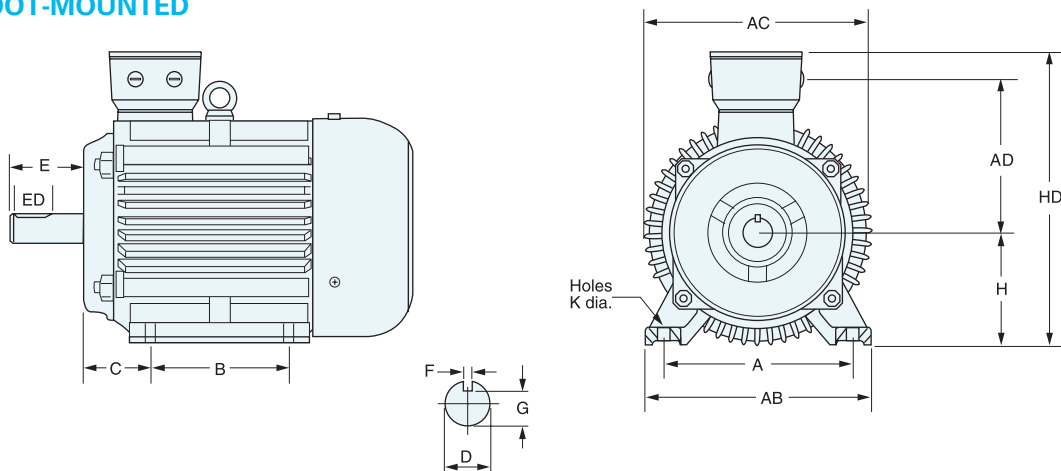
Electromagnetic Compatibility (EMC) Directive (2004/108/EC) This directive addresses the final product and is again a concern for the equipment manufacturer. Since this Directive addresses electromagnetic interference (EMI) concerns, it does not affect three phase AC motors because they do not produce EMI. DC motors, however, do produce EMI. How much of the "noise" is emitted outside the machine depends on a host of factors. LEESON's Engineering Department can assist OEM's in applying DC motors in machinery destined for Europe and requiring certification to the EMC Directive.



Technical Information

Dimensions - AC Metric (IEC) Motors

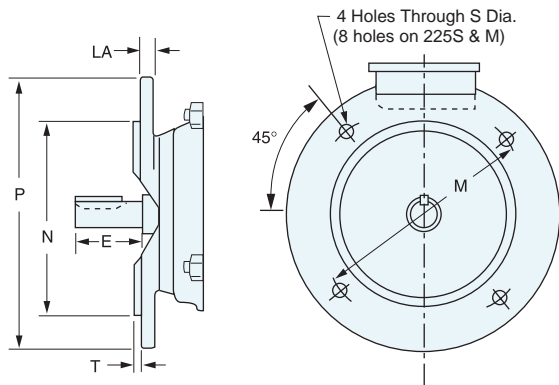
B3 FOOT-MOUNTED



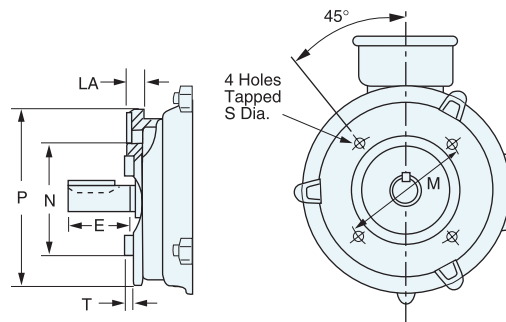
METRIC (IEC) FRAME DIMENSIONS (Millimeters)

Frame	Mounting						Shaft						General			B5 Flange						B14 Face					
	A	B	C	H	AB	K	D	E	F	G	ED	DH	AC	AD	HD	M	N	P	S	T	LA	M	N	P	S	T	LA
D56	90	71	36	56	107	6	9	20	3	7.5	8	M3 x 8	-	-	-	100	80	120	7	2.5	7	65	50	80	M5	2.5	7
D63	100	80	40	63	122	7	11	23	4	8.5	10	M4 x 10	126	84	171	115	95	140	10	3.0	7	75	60	90	M5	2.5	7
D71	112	90	45	71	136	7	14	30	5	11.0	20	M5 x 12.5	141	94	191	130	110	160	10	3.5	7	85	70	105	M6	2.5	9
D80	125	100	50	80	154	10	19	40	6	15.5	25	M6 x 16	159	102	206	165	130	200	12	3.5	12	100	80	120	M6	3.0	9
D90S	140	100	56	90	172	10	24	50	8	20.0	32	M8 x 19	180	112	229	165	130	200	12	3.5	12	115	95	140	M8	3.0	9
D90L	140	125	56	90	172	10	24	50	8	20.0	32	M8 x 19	180	112	229	165	130	200	12	3.5	12	115	95	140	M8	3.0	9
DF100L	160	140	63	100	205	12	28	60	8	24.0	40	M10 x 22	205	130	270	215	180	250	15	4.0	11	130	110	160	M8	3.5	14
DF112M	190	140	70	112	230	12	28	60	8	24.0	40	M10 x 22	240	150	300	215	180	250	15	4.0	12	130	110	160	M8	3.5	11
DF132S	216	140	89	132	270	12	38	80	10	33.0	56	M12 x 28	275	180	345	265	230	300	15	4.0	12	165	130	200	M10	3.5	14
DF132M	216	178	89	132	270	12	38	80	10	33.0	56	M12 x 28	275	180	345	265	230	300	15	4.0	12	165	130	200	M10	3.5	14
DF160M	254	210	108	160	320	15	42	110	12	37.0	80	M16 x 36	330	210	420	300	250	350	19	5.0	13	215	180	250	M12	4.0	13
DF160L	254	254	108	160	320	15	42	110	12	37.0	80	M16 x 36	330	210	420	300	250	350	19	5.0	13	215	180	250	M12	4.0	13
DF180M	279	241	121	180	355	15	48	110	14	42.5	80	M16 x 36	360	236	455	300	250	350	19	5.0	15	-	-	-	-	-	-
DF180L	279	279	121	180	355	15	48	110	14	42.5	80	M16 x 36	360	236	455	300	250	350	19	5.0	15	-	-	-	-	-	-
DF200L	318	305	133	200	395	19	55	110	16	49.0	100	M20 x 42	420	260	505	350	300	400	19	5.0	18	-	-	-	-	-	-
DF225S	356	286	149	225	435	19	55*/60	110*/140	16*/18	49*/53	100*/125	M20 x 42	450	275	580	400	350	450	19	5.0	18	-	-	-	-	-	-
DF225M	356	311	149	225	435	19	55*/60	110*/140	16*/18	49*/53	100*/125	M20 x 42	450	275	580	400	350	450	19	5.0	18	-	-	-	-	-	-
DF250M	406	349	168	250		24	60*/65	140*/140	18*/18	53*/58	125*/125	M20 x 42	508	300	625	-	-	-	-	-	-	-	-	-	-	-	-

* 2 Pole Dimensions
 For overall length dimensions for our IEC motors, please refer to our IEC motor section of this catalog.
 Frames DF100L through DF132M, conduit box is located in the center of the frame.



B5 FLANGE



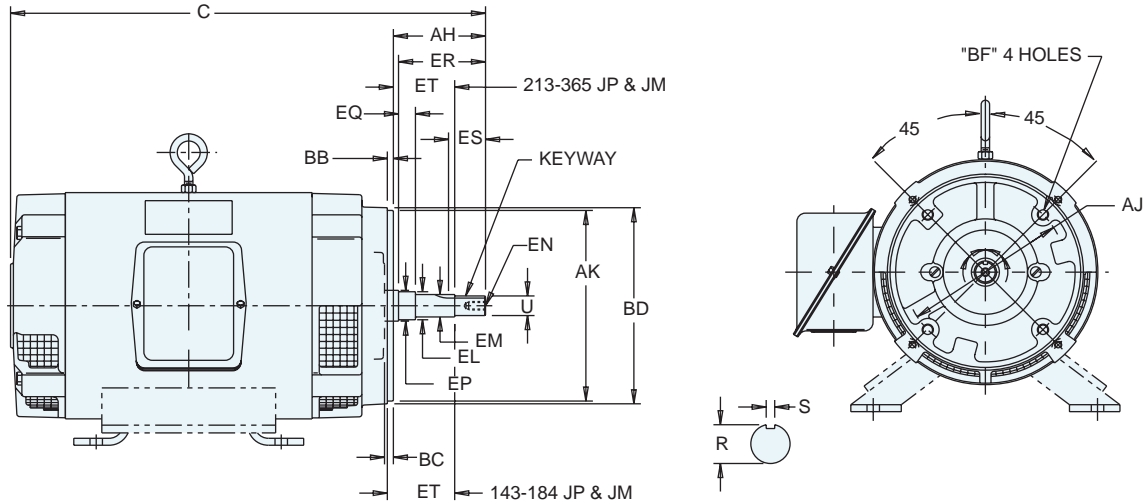
B14 FACE



Technical Information

Dimensions - Definite Purpose - Close Coupled Pump Motors

TYPICAL CLOSE COUPLED PUMP MOTOR



Dimensions for Type JM

Frame Desig.	U	AH	AJ	AK	BB	BD Max.	BF			EL	EM	Tap Size	Tap Drill Depth Max.	Bolt Pen. Allow.	EP Min.	EQ	ER Min.	Keyseat			ET
							No.	Tap Size	Bolt Pen. Allow.									R	ES Min.	S	
143 & 145JM	0.8745 0.8740	4.15 4.10	5.890 5.860	4.500 4.497	0.150 0.10	6.62	4	3/8-16	0.56	1.156 1.154	1.0000 0.9995	3/8-16	1.12	0.75	1.156 0.610	0.640 0.610	4.25	0.771 0.756	1.65	0.190 0.188	2.890 2.860
182 & 184JM	0.8745 0.8740	4.13 4.09	5.89 5.86	4.500 4.497	0.16 0.125	6.62	4	3/8-16	0.56	1.250 1.248	1.0000 0.9995	3/8-16	1.12	0.75	1.250 0.610	0.640 0.610	4.25	0.771 0.756	1.65	0.190 0.188	2.890 2.860
213 & 215JM	0.8750 0.8745	4.25 4.235	7.265 8.497	8.500 8.497	0.312 0.250	9.00	4	1/2-13	0.75	1.250 1.248	1.0000 0.9995	3/8-16	1.12	0.75	1.750 0.610	0.640 0.610	4.25	0.771 0.756	1.65	0.190 0.188	2.890 2.860
254 & 256JM	1.2495 1.2490	5.25	7.250	8.500 8.497	0.312 0.250	10.00	4	1/2-13	0.75	1.750 1.748	1.3750 1.3745	1/2-13	1.50	1.00	1.750 0.610	0.640 0.610	5.25	1.112 1.097	2.53	0.252 0.250	3.015 2.985
284 & 286JM	1.2495 1.2490	5.281 5.219	11.00	12.500 12.495	0.312 0.250	14.00	4	5/8-11	0.94	1.750 1.748	1.3750 1.3745	1/2-13	1.50	1.00	2.125 0.605	0.645 0.605	5.25	1.112 1.097	2.53	0.252 0.250	3.020 2.980
324 & 326JM	1.2495 1.2490	5.281 5.219	11.00	12.500 12.495	0.312 0.250	14.00	4	5/8-11	0.94	1.750 1.478	1.3750 1.3745	1/2-13	1.50	1.00	2.125 0.605	0.645 0.605	5.25	1.112 1.097	2.53	0.252 0.250	3.020 2.980

Dimensions for Type JP

Frame Desig.	U	AH	AJ	AK	BB	BD Max.	BF			EL	EM	Tap Size	Tap Drill Depth Max.	Bolt Pen. Allow.	EP Min.	EQ	ER Min.	Keyseat			ET
							No.	Tap Size	Bolt Pen. Allow.									R	ES Min.	S	
143 & 145JP	0.8745 0.8740	2.19 7.15	5.890 5.860	4.500 4.497	0.156 0.125	6.62	4	3/8-16	0.56	1.156 1.154	1.0000 0.9995	3/8-16	1.12	0.75	1.156 1.548	1.578 1.548	7.312	0.771 0.756	1.65	0.190 0.188	5.952 5.922
182 & 184JP	0.8745 0.8740	7.21 7.15	5.890 5.860	4.500 4.497	0.156 0.100	6.62	4	3/8-16	0.56	1.250 1.248	1.0000 0.9995	3/8-16	1.12	0.75	1.250 1.548	1.578 1.548	7.312	0.771 0.756	1.65	0.190 0.188	5.952 5.922
213 & 215JP	1.2495 1.2490	8.12 1.2490	7.250	8.500 8.497	0.312 0.250	9.00	4	1/2-13	0.75	1.750 1.748	1.3750 1.3745	1/2-13	1.50	1.00	1.750 2.360	2.390 2.360	8.125	1.112 1.097	2.53	0.252 0.250	5.890 5.860
254 & 256JP	1.2495 1.2490	8.156 8.094	7.250	8.500 8.497	0.312 0.250	10.00	4	1/2-13	0.75	1.750 1.748	1.3750 1.3745	1/2-13	1.50	1.00	1.750 2.360	2.390 2.360	8.125	1.112 1.097	2.53	0.252 0.250	5.890 5.855
284 & 286JP	1.2495 1.2490	8.156 8.094	11.00	12.500 12.495	0.312 0.250	14.00	4	5/8-11	0.94	1.750 1.748	1.3750 1.3745	1/2-13	1.50	1.00	2.125 2.360	2.390 2.360	8.125	1.112 1.097	2.53	0.252 0.250	5.895 5.860
324JP & 326JP	1.2495 1.2490	8.12 1.2490	11.00	12.500 12.495	0.312 0.250	14.00	4	5/8-11	0.94	1.750 1.748	1.3750 1.3745	1/2-13	1.50	1.00	2.125 2.355	2.395 2.355	8.125	1.112 1.097	2.53	0.252 0.250	5.895 5.855
364JP & 365JP	1.6245 1.6240	8.12	11.00	12.500 12.495	0.312 0.250	14.00	4	5/8-11	0.94	2.125 2.13	1.7500 1.7495	1/2-13	1.50	1.00	2.500 2.355	2.395 2.355	8.125	1.416 1.401	2.53	0.377 0.375	5.895 5.855

All dimensions are measured in inches. For "C" dimensions, refer to the appropriate catalog page. Certified drawings are available upon request - contact LEESON for details.

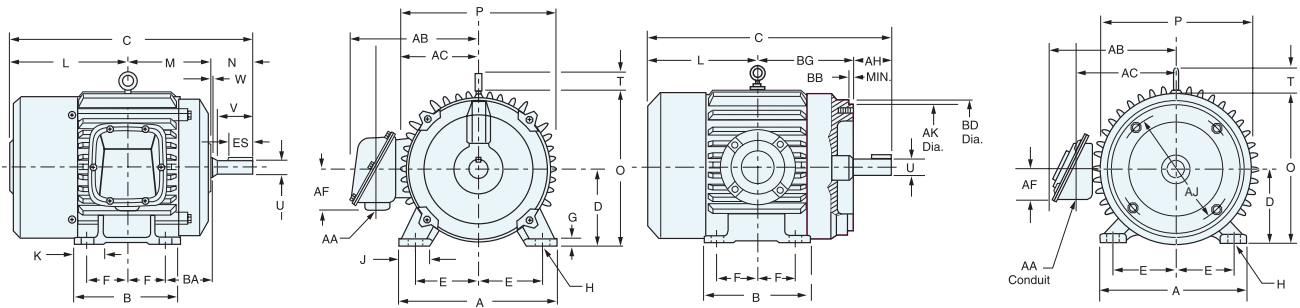


Technical Information

Dimensions - NEMA® Explosion Proof - 158 Series

RIGID MOUNT 158 SERIES

C FACE 158 SERIES



NEMA EXPLOSION-PROOF • 158 SERIES • RIGID MOUNT DIMENSIONS (Inches)

Frame Size	A	B	D	E	F	G	H	J	K	L	M	N	O	P	T	U	V	N-W	ES	AA	AB	AC	AF	BA	KEY
182T	9	6	4 1/2	3 3/4	2 1/4	7/16	7/16	1 3/4	1 7/8	6 13/16	4 15/16	2 13/16	9 1/8	9 1/4	—	1.125	2 1/2	2 3/4	1 7/8	3/4	7 13/16	6 9/16	3 1/8	2 3/4	
184T		7			2 3/4					7 5/16	5 7/16	2 15/16													
213T	10 1/2	7	5 1/4	4 1/4	2 3/4	7/16	7/16	2	1 7/8	8 1/8	6 6/16	3 7/16	10 1/2	10 1/2	2 5/16	1.375	3 1/8	3 1/4	2 7/16	1	9 1/4	7 5/8	3 1/2	3 1/2	5/16
215T		8 1/2			3 1/8					8 7/8	6 5/16														
254T	12 1/2	10 1/4	6 1/4	5	4 7/8	5/8	9/16	2 1/2	2 5/8	10 3/8	8 8/16	4 1/16	12 1/2	12 1/2	2 5/16	1.625	3 3/4	3 7/8	2 15/16	1 1/4	10 1/4	8 7/8	3 7/8	4 1/4	
256T		12			5					11 1/4	9 9/16														
284T		11 1/2	7	5 1/2	4 3/4	5/8	9/16	2 1/2	2 3/4	11 13/16	9 7/16	4 1 1/16				1.875	4 3/8	4 1/2	3 1/4						1/2
284TS												3 5/16	14	14	2 7/16	1.625	3	3 1/8	1 15/16	1 1/2	12 1/8	10	4 7/16	4 3/4	3/8
286T	13 3/4				5 1/2					12 9/16	10 9/16	4 1 1/16				1.875	4 3/8	4 1/2	3 1/4						1/2
286TS		13									3 5/16					1.625	3	3 1/8	1 15/16						3/8
324T		13 1/4	8	6 1/4	5 1/4	5/8	1 1/16	2 3/4	3 1/8	13 3/16	10 7/16	5 5/16				2.125	5	5 1/8	4						
324TS												3 13/16	16	16	2 5/8	1.875	3 1/2	3 5/8	2	2	14 3/8	11 3/4	5 3/8	5 1/4	
326T	15 1/2				6					13 15/16	11 3/16	5 5/16				2.125	5	5 1/8	3						
326TS		14 3/4									3 13/16					1.875	3 1/2	3 5/8	2 1/16						
364T			9	7	5 5/8	7/8	1 1/16	2 3/4	3 7/8	16 1/16	11 3/8	6				2.375	5 5/8	5 3/4	4 1/4						5/8
364TS	17	15										3 7/8	18 1/2	19	12 7/8	1.875	3 1/2	3 5/8	2 1/16	3	16 1/16	13 5/16	6 7/8	5 7/8	1/2
365T					6 1/8					15 9/16	11 7/8	6				2.375	5 5/8	5 3/4	4 1/4						5/8
365TS											3 7/8					1.875	3 1/2	3 5/8	2 1/16						1/2
405T	19	16	10	8	6 7/8	1 1/8	1 3/16	3 1/4	3 1/4	17 9/16	13 1/8	7 5/8	21 1/16	22 5/16	2 15/16	2.875	7	7 1/8	5 1 1/16	4	16 3/8	13 1/4	7 1/2	6 5/8	3/4
405TS											4 5/8					2.125	4	4 1/8	2 7/8						1/2

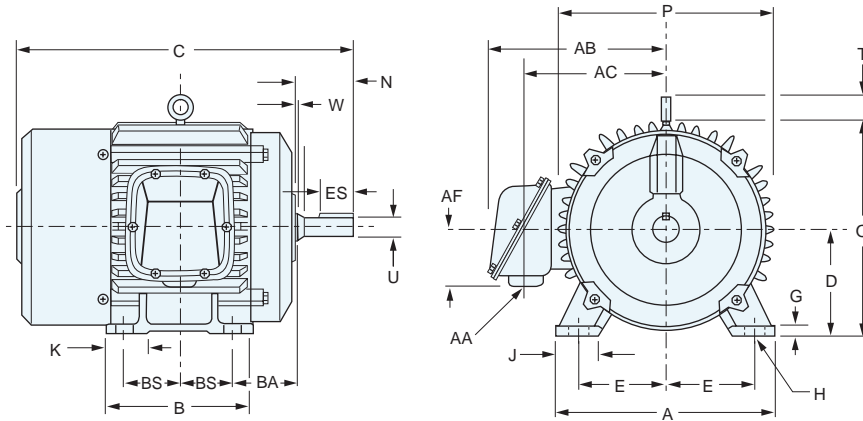
NEMA EXPLOSION-PROOF • 158 SERIES • C FACE DIMENSIONS (Inches)

FRAME SIZE	A	B	D	E	F	H	L	O	P	T	U	V	AH	AJ		BB	AK	BD	BG	AA	AB	AC	AF	KEYWAY
														DIA.	BARR.									
182T	9	6	4 1/2	3 3/4	2 1/4	7/16	6 5/8	9 1/8	9 1/4	—	1.1250	2 1/2	2 5/8	7 1/4	4	9/32	8.500	8 3/4	5 7/8	3/4	9 3/8	7 1/8	2 1/2	1/4
184T		7			2 3/4		7 1/8												6 3/8					

The condensed dimensions shown on these pages are for general reference only and are not for construction. The overall length or "C" dimension for each catalog item is included in this catalog. [Certified drawings of all ratings are available for construction purposes.](#)



RIGID MOUNT G-SERIES



NEMA EXPLOSION-PROOF • RIGID MOUNT DIMENSIONS (Inches)

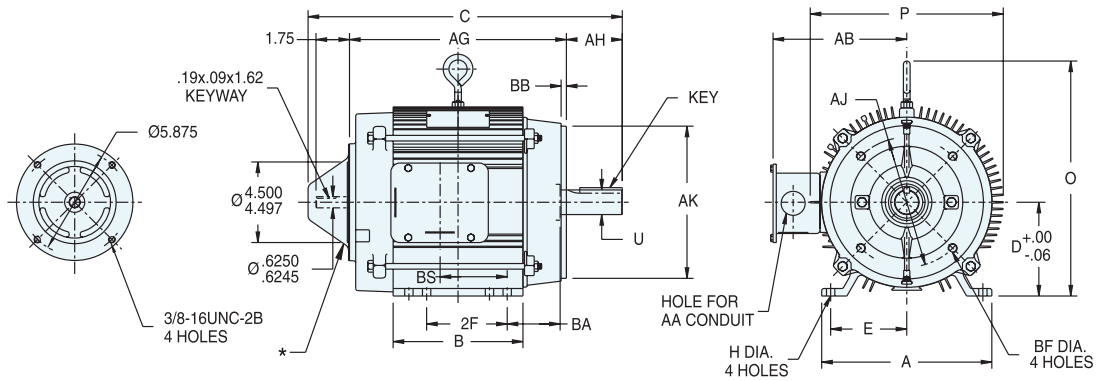
Frame Size	A	B	D	E	2F*	G	H	J	K	N	O	P	T	U	N-W	ES	AA	AB	AC	AF	BA	BS	KEY	C Dim
182T 184T	8.88	7.75	—	3.75	6.75	0.45	0.41-0.46	1.56	—	2.78	9.36	9.76	2.62	1.125	2.75	1.75	0.75	9.73	7.13	—	2.75	3.37	0.25	17.12
213T 215T	10.38	8.50	5.19 5.25	4.25	7.00	0.60	0.44	1.87	—	3.41	10.60	11.50	2.62	1.375	3.38	2.38	0.75	10.94	8.32	2.55	3.50	3.50	0.31	20.18
254T 256T	12.12	10.25	6.19 6.25	5.00	8.25 10.00	0.55	0.53-0.58	2.08	—	4.19	14.07	14.12	—	1.625	4.00	2.88	1.25	13.67	10.65	3.12	4.25	4.12 5.00	0.38	23.52 25.27
284T 284TS 286T 286TS	13.00	11.50 13.00	6.94 7.00	5.50 11.00	9.50	0.88	0.53-0.58	2.50	2.50	—	14.74	15.50	3.25	1.875 1.625 1.875 1.625	5.25 4.62	3.25 1.88 3.25 1.88	1.50	15.33	11.44	5.38	4.75	4.75 5.50	0.50 0.38 0.50 0.38	26.30 24.94 27.80 26.44
324T 324TS 326T 326TS	15.75	13.00 14.50	7.94 8.00	6.25 12.00	10.50	0.86	0.66-0.71	3.50	—	—	17.10	16.00	3.25	2.125 4.00 5.50 4.00	5.25 3.75 5.25 3.75	3.88 2.00 3.88 2.00	2.00	16.50	12.64	5.38	5.25	5.25 6.00	0.50 0.50	28.87 27.37 30.37 28.87
364T 364TS 365T 365TS	17.75	13.25 14.25	8.94 9.00	7.00 12.25	11.25	1.12	0.66-0.71	4.00	3.25	—	19.00	20.00	3.62	2.375 4.00 6.12 4.00	5.88 3.75 5.88 3.75	— 4.24	2.50	19.75	14.50	5.38	5.88	5.62 6.12	0.62	31.50 29.38 32.50 30.38
405T 405TS	19.25	16.25	—	8.00	13.75	1.12	0.81-0.86	4.25	3.75	—	20.87	21.75	3.62	2.875 4.50	7.25 4.25	5.62 2.75	2.50	21.50	16.38	5.38	6.62	6.88	0.75 0.50	37.12 34.12
444T 444TS 445T 445TS 449T 449TS	21.50	18.00 19.75 28.25	10.94	9.00	14.50 16.50 25.00	1.25 1.22 1.25	0.81-0.86	3.75	4.50 5.12 9.88	—	23.12 24.11 24.19	24.25 26.31 26.31	3.62 2.44 0.77	3.375 3.375 2.375 2.375	8.50 8.50 8.50 4.75	6.88 6.88 3.00 3.00	2.50 3.00	22.75 27.24 26.09	17.50 20.06 18.88	5.38 6.18	7.50	7.25 8.25 1.78	0.62 0.88 0.88 0.62	37.50 43.19 39.44 51.69 47.97

* 182-4T and 213-5T frames have eight-hole bases. 449T and TS frames have six-hole bases. Others have four-hole bases.

Technical Information

Dimensions - Speedmaster® Inverter Duty Motors

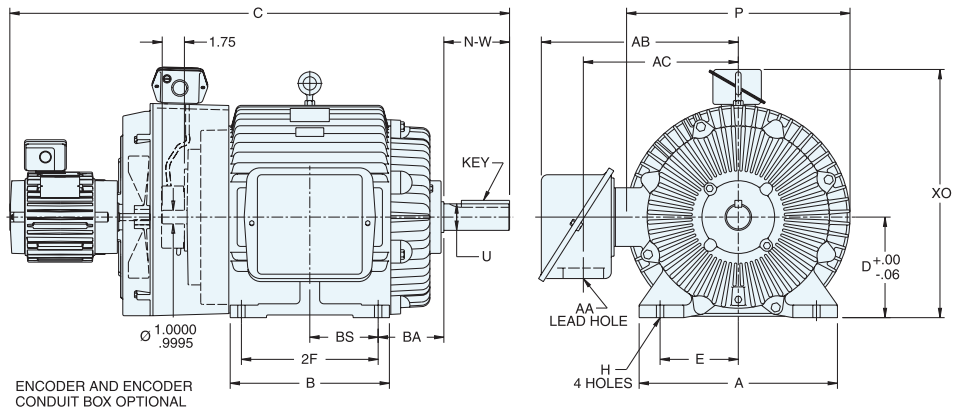
TENV—C FACE, RIGID BASE



TENV • C FACE • RIGID BASE • DIMENSIONS (Inches)

Frame Size	D	E	2F	H	O MAX.	P MAX.	U	AA	AB MAX.	AG MAX.	AH	AJ	AK	BA	BB	BF	BS	KEY
143TC	3.50	2.75	4.00	.38	7.45	7.98	.875	1.09	7.04	9.25	2.12	5.875	4.50	2.62	.13	3/8-16	2.81	.19 x .19 x 1.38
145TC	3.50	2.75	5.00	.35	7.45	7.98	.875	1.09	7.04	10.25	2.12	5.875	4.50	2.62	.13	3/8-16	3.81	.19 x .19 x 1.38
182TC	4.50	3.75	4.50	.41	9.36	9.76	1.125	1.09	8.08	11.75	2.62	7.250	8.50	3.50	.27	1/2-13	2.25	.25 x .25 x 1.75
184TC	4.50	3.75	5.50	.41	9.36	9.76	1.125	1.09	8.08	12.75	2.62	7.250	8.50	3.50	.27	1/2-13	2.75	.25 x .25 x 1.75
213TC	5.25	4.25	5.50	.44	10.97	11.50	1.375	1.09	9.31	15.12	3.12	7.250	8.50	4.25	.27	1/2-13	3.50	.31 x .31 x 2.38
215TC	5.25	4.25	7.00	.44	10.97	11.50	1.375	1.09	9.31	17.31	3.12	7.250	8.50	4.25	.27	1/2-13	6.18	.31 x .31 x 2.38
254TC	6.25	5.00	8.25	.53	14.09	14.27	1.625	1.25	9.83	19.06	3.75	7.250	8.50	4.75	.27	1/2-13	6.31	.38 x .38 x 2.88
256TC	6.25	5.00	10.00	.56	14.09	14.27	1.625	1.25	11.08	18.82	3.75	7.250	8.50	4.75	.27	1/2-13	5.00	.38 x .38 x 2.88
284TC	7.00	5.50	9.50	.56	14.16	14.32	1.875	1.50	12.31	20.57	4.38	9.000	10.50	4.75	.27	1/2-13	5.50	.50 x .50 x 3.25

TEBC—TOTALLY ENCLOSED BLOWER COOLED, RIGID BASE



TEBC • TOTALLY ENCLOSED BLOWER COOLED • RIGID BASE • DIMENSIONS (Inches)

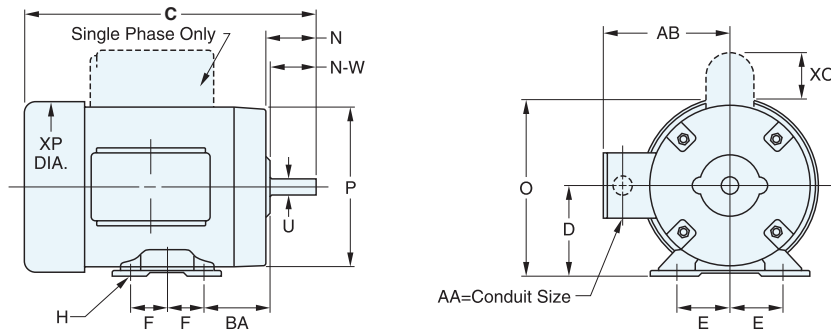
Frame Size	D	E	2F	H	O MAX.	P MAX.	U	AA	AB MAX.	AC MAX.	BA	BS	FU	N-W	KEY
325T	8.00	6.25	10.50	.66	16.00	15.88	2.12	2.00	13.69	10.69	5.25	5.25	1.00	5.25	.50 x .50 x 3.88
326T	8.00	6.25	12.00	.66	16.00	15.88	2.12	2.00	13.69	10.69	5.25	6.00	1.00	5.25	.50 x .50 x 3.88
364T	9.00	7.00	11.25	.66	19.00	20.00	2.38	3.62	17.85	14.56	5.88	5.62	1.00	5.88	.62 x .62 x 4.25
365T	9.00	7.00	12.25	.66	19.00	20.00	2.38	3.62	17.85	14.56	5.88	6.12	1.00	5.88	.62 x .62 x 4.25
404T	10.00	8.00	12.25	.81	20.88	21.75	2.88	3.62	18.75	14.75	6.62	6.12	1.00	7.25	.75 x .75 x 5.62
405T	10.00	8.00	13.75	.81	20.88	21.75	2.88	3.62	19.75	16.25	6.62	6.88	1.00	7.25	.75 x .75 x 5.62
444T	11.00	9.00	14.50	.81	24.19	25.31	3.38	3.62	20.94	17.38	7.50	7.25	1.00	8.50	.88 x .88 x 6.88
445T	11.00	9.00	16.50	.81	24.19	26.31	3.38	3.62	20.94	17.38	7.50	8.25	1.00	8.50	.88 x .88 x 6.88
449T	11.00	9.00	25.00	.81	24.22	26.31	3.38	4.62	25.90	19.31	7.50	1.78	1.00	8.50	.88 x .88 x 6.88



Technical Information

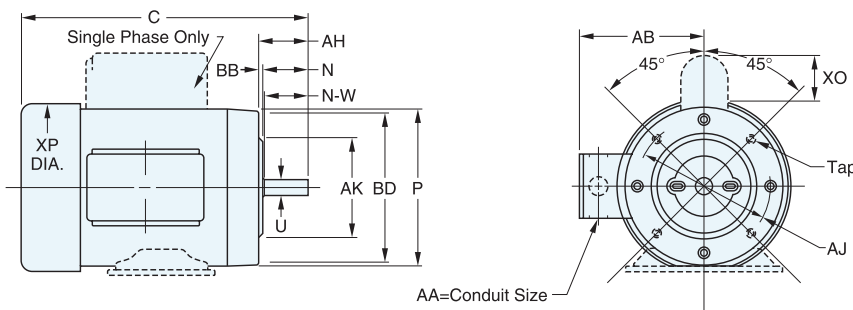
Dimensions - NEMA® Steel Frame Motors

RIGID MOUNT



The condensed dimensions shown on these pages are for general reference only and are not for construction. The overall length or "C" dimension for each catalog item is included in this catalog. Certified drawings of all ratings are available for construction purposes.

C FACE



NEMA SHAFT AND KEYWAY DIMENSIONS ■ (Inches)

NEMA SHAFT (U)	KEYWAY DIMENSIONS (R)		NEMA SHAFT (U)	KEYWAY DIMENSIONS (S)	
	(R)	(S)		(R)	(S)
3/8	21/64	FLAT	1-7/8	1-19/32	1/2
1/2	29/64	FLAT	2-1/8	1-27/32	1/2
5/8	33/64	3/16	2-3/8	2-1/64	5/8
7/8	49/64	3/16	2-1/2	2-3/16	5/8
1-1/8	63/64	1/4	2-7/8	2-29/64	3/4
1-3/8	1-13/64	5/16	3-3/8	2-7/8	7/8
1-5/8	1-13/32	3/8	3-7/8	3-5/16	1

■ S is keyway width.
U minus R is keyway depth.

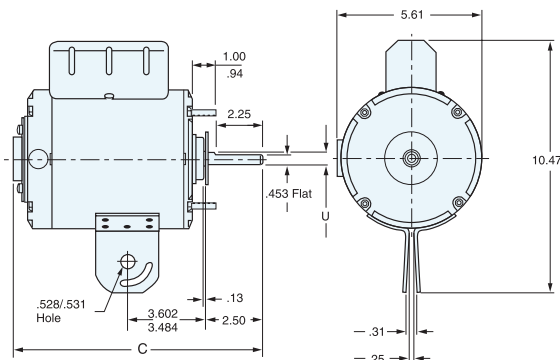
NEMA STEEL FRAME DIMENSIONS (Inches)

Frame Size ▲	D	E	F	H	N	O	P	U	N-W	AA	AB	AH	AJ	AK	BA	BB	BD	XO	XP	TAP **	KEY
42	2 ⁵ / ₈	1 ³ / ₄	27/32	9/32 Slot	1 ³ / ₁₆	5 ¹ / ₁₆	4 ⁷ / ₈	3/8	1 ¹ / ₈	3/8	4 ¹ / ₂	1 ⁵ / ₁₆	3 ³ / ₄	3	2 ¹ / ₁₆	1/8	4 ⁷ / ₈	1 ⁵ / ₈	5 ¹ / ₈	1/4-20	3/64 Flat
48	3	2 ¹ / ₈	1 ³ / ₈	11/32 Slot	1 ⁹ / ₁₆	5 ¹³ / ₁₆	5 ¹⁹ / ₃₂	1/2	1 ¹ / ₂	1/2	4 ⁷ / ₈	1 ¹¹ / ₁₆	3 ³ / ₄	3	2 ¹ / ₂	1/8	5	2 ¹ / ₄	5 ⁷ / ₈	1/4-20	3/64 Flat
S56 56	3 ¹ / ₂	2 ⁷ / ₁₆	1 ¹ / ₂	11/32 Slot	1 ¹⁵ / ₁₆	6 ⁵ / ₁₆ 6 ¹³ / ₁₆	5 ¹⁹ / ₃₂ 6 ¹⁹ / ₃₂	5/8	1 ⁷ / ₈	1/2	4 ⁷ / ₈ 5 ⁵ / ₁₆	2 ¹ / ₁₆	5 ⁷ / ₈	4 ¹ / ₂	2 ³ / ₄	1/8	6 ¹ / ₂	2 ¹ / ₄	5 ⁷ / ₈ 7 ⁵ / ₃₂	3/8-16	3/16
143T 145T	3 ¹ / ₂	2 ³ / ₄	2 2 ¹ / ₂	11/32	2 ³ / ₈	6 ¹³ / ₁₆	6 ¹⁹ / ₃₂	7/8	2 ¹ / ₄	3/4	5 ⁵ / ₁₆	2 ¹ / ₈	5 ⁷ / ₈	4 ¹ / ₂	*2 ¹ / ₄	1/8	6 ¹ / ₂	2 ¹ / ₄	7 ⁵ / ₃₂	3/8-16	3/16
182T 184T	4 ¹ / ₂	3 ³ / ₄	2 ¹ / ₄ 2 ³ / ₄	13/32	2 ⁷ / ₈	8 ³ / ₄	8 ¹⁵ / ₃₂	1 ¹ / ₈	2 ³ / ₄	3/4	6 ⁷ / ₁₆	2 ⁵ / ₈	7 ¹ / ₄	8 ¹ / ₂	*2 ³ / ₄	1/4	8 ⁷ / ₈	2 ¹ / ₄	9 ⁷ / ₃₂	1/2-13	1/4
S213T 213T 215T	5 ¹ / ₄	4 ¹ / ₄	2 ³ / ₄ 2 ³ / ₄ 3 ¹ / ₂	13/32	3 ¹ / ₂	9 ²⁷ / ₃₂ 10 ⁵ / ₈	8 ¹³ / ₃₂ 9 ²¹ / ₃₂	1 ³ / ₈	3 ³ / ₈	3/4	7 ⁹ / ₁₆	3 ¹ / ₈	7 ¹ / ₄	8 ¹ / ₂	*3 ¹ / ₂	1/4	8 ⁷ / ₈ 8 ⁵ / ₈	2 ¹ / ₄	9 ⁷ / ₃₂ 10 ¹³ / ₁₆	1/2-13	5/16

* 143-5TC NEMA C face BA dimension is 2³/₄". 182-4TC NEMA C face BA dimension is 3¹/₂". 213-5TC NEMA C face BA dimension is 4¹/₄".
** 326TC and smaller have 4 mounting holes in NEMA C face, 364TC and larger have 8 mounting holes.
▲ Blue shading denotes dimensions established by NEMA standard MG1, others are unique to LEESON, and will vary with each manufacturer.

Pedestal Fan Motors

Note: Motors with U = .625 have a 3/16" keyway.



Technical Information

Dimensions - NEMA® Steel Frame Motors

Gearmotors

AC / DC Controls

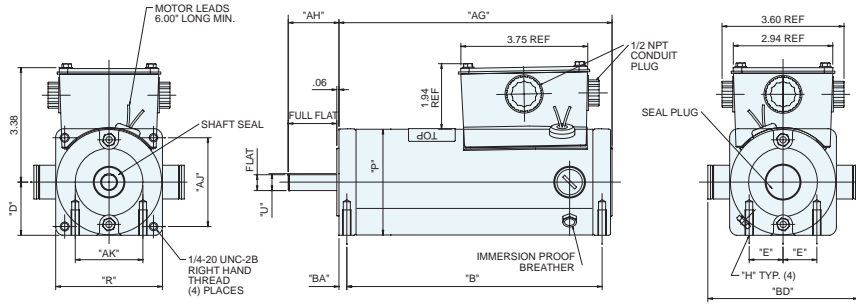
Accessories / Kits

Mods / Factory Options

X-Ref / Index

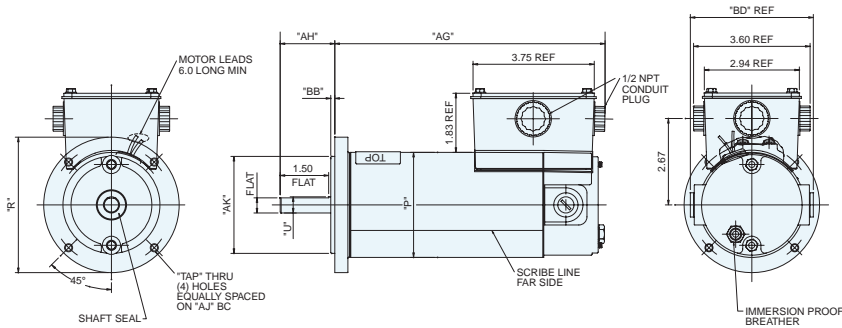
Tech Information

Warnings/Cautions



WASHGUARD® 31 FRAME SQUARE FLANGE MOUNT STYLE DIMENSIONS (Inches)

Catalog Number	Frame	AG	P	BD	U	AH	AH-BB	AJ	Tap	R	AK	BB	D	BA	E	F	H
M1120181	31S	7.07	3.13	3.80	.50000	1.5	1.44	2.63	1/4-20	3.16	1.99	.07	1.57	.235	1.000	6.55	1/4-20
M1120182	31S	6.57	3.13	4.45	.50000	1.5	1.44	2.63	1/4-20	3.16	1.99	.07	1.57	.235	1.000	6.05	1/4-20
M1120183	31S	8.57	3.13	3.80	.50000	1.5	1.44	2.63	1/4-20	3.16	1.99	.07	1.57	.235	1.000	8.05	1/4-20
M1120184	31S	8.07	3.13	4.45	.50000	1.5	1.44	2.63	1/4-20	3.16	1.99	.07	1.57	.235	1.000	7.55	1/4-20



WASHGUARD 42C FACE MOUNT STYLE DIMENSIONS (Inches)

Catalog Number	Frame	AG	P	U	AH	AH-BB	KEY	AJ	TAP	AK	R	BD
M1120185	32F42CZ	8.36	3.25	.500	1.69	1.50	.13 SQ	3.750	1/4-20	3.00	4.19	3.80
M1120186	32F42CZ	7.86	3.25	.500	1.69	1.50	.13 SQ	3.750	1/4-20	3.00	4.19	4.43

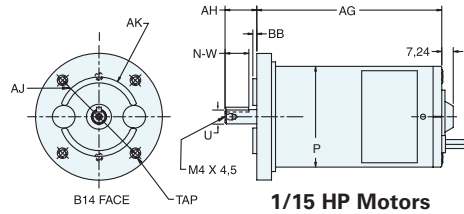
ALL DIMENSIONS IN INCHES



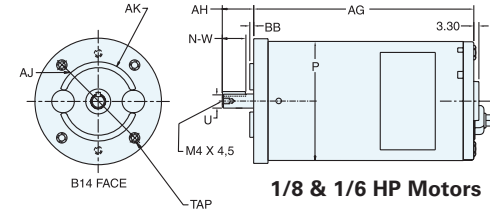
Commercial Duty Metric (IEC) Frame Motors

DIMENSIONS (Inches)

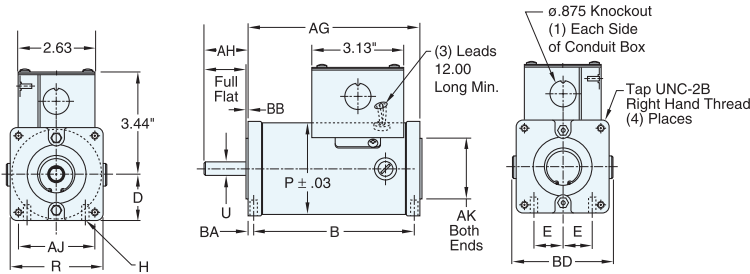
Frame Voltage	AG	P	U	AH	N-W	AJ	TAP	AK	BB	
2.50	12	4.59	2.50	.35	.787	.591	2.56	M5x.8	1.97	.10
	24	4.59	2.50	.35	.787	.591	2.56	M5x.8	1.97	.10
	90	4.59	2.50	.35	.787	.591	2.56	M5x.8	1.97	.10
3.00	12	5.53	3.00	.35	.787	.591	2.56	M5x.8	1.97	.10
	24	5.53	3.00	.35	.787	.591	2.56	M5x.8	1.97	.10
	90	5.53	3.13	.35	.787	.591	2.56	M5x.8	1.97	.10
3.00	12	5.87	3.00	.35	.787	.591	2.56	M5x.8	1.97	.10
	24	5.87	3.00	.35	.787	.591	2.56	M5x.8	1.97	.10
	90	5.87	3.13	.35	.787	.591	2.56	M5x.8	1.97	.10



1/15 HP Motors



1/8 & 1/6 HP Motors

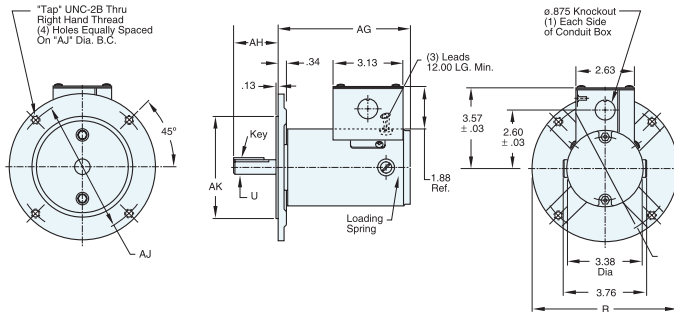


Note: Optional conduit box not included on 25 frame models. Conduit box dimensions shown here are for 31 frame only.

25 & 31 FRAME SQUARE FLANGE MOUNT DIMENSIONS (Inches)

Frame & Type	AG	P	BD	U	AH	AH-BB	AJ	TAP	R	AK	BB	D	BA	E	B	H	
25	AS	4.08	2.50	3.00	.312	1.5	1.00	1.73	8-32	2.62	.997	.03	1.28	.125	.625	3.83	8-32
	CS	4.94	2.50	3.00	.312	1.5	1.00	1.73	8-32	2.62	.997	.03	1.28	.125	.625	4.69	8-32
31	BS	5.39	3.07	3.45	.5000	1.5	1.00	2.63	¼-20	3.16	1.99	.07	1.57	.235	1.000	4.92	¼-20
	CS**	5.89	3.07	3.45	.5000	1.5	1.00	2.63	¼-20	3.16	1.99	.07	1.57	.235	1.000	5.42	¼-20
	ES**	6.89	3.07	3.45	.5000	1.5	1.00	2.63	¼-20	3.16	1.99	.07	1.57	.235	1.000	6.42	¼-20
	GS	7.89	3.07	3.45	.5000	1.5	1.00	2.63	¼-20	3.16	1.99	.07	1.57	.235	1.000	7.42	¼-20

**Catalog numbers M1120041 & M1120044 have an 'AG' & 'F' dimension that is .5" longer than stated in table.



42C FACE MOUNT DIMENSIONS (Inches)

Frame	AG	P	U	AH	AH-BB	KEY	AJ	TAP	AK	R
34D42C	6.43	3.38	.500	1.38	1.25	.13 SQ	3.750	¼-20	3.00	4.25

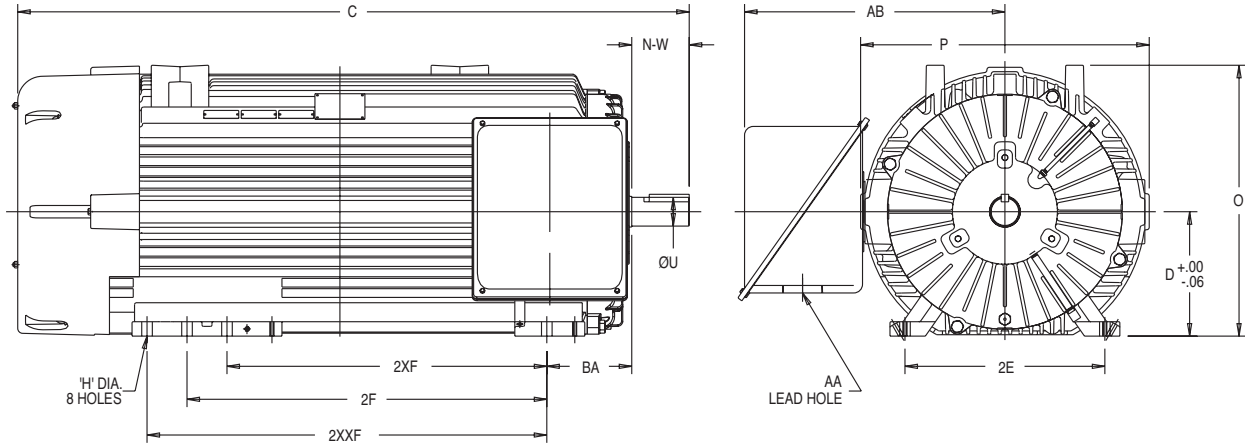
56C FACE MOUNT DIMENSIONS (Inches)

Frame	AG	P*	U	AH	AH-BB	KEY	AJ	TAP	AK	R
34E56C	6.87	3.38	.625	2.06	1.93	.19 SQ	5.875	¾-16	4.50	6.50
34G56C	8.59	3.38	.625	2.06	1.93	.19 SQ	5.875	¾-16	4.50	6.50

*For 1/4 HP 34 frame TEFC designs. Fan cover diameter is 3.88".

Technical Information

5000 Frame Motors



FRAME	H	BA	2XF	2F	2XXF	N-W	U	AB (MAX.)	P (MAX.)	O (MAX.)	D	2E	AA
5010LS	1.062 1.077	8.50	32.00	—	—	5.75	2.875 2.874	26.05	28.88	27.08	12.470 12.410	20.00	4.00 NPT
5011LS	1.062 1.077	8.50	—	36.00	—	5.75	2.875 2.874	26.05	28.88	27.08	12.470 12.410	20.00	4.00 NPT
5012LS	1.062 1.077	8.50	—	—	40.00	5.75	2.875 2.874	26.05	28.88	27.08	12.470 12.410	20.00	4.00 NPT
5013LS	1.062 1.077	8.50	45.00	—	—	5.75	2.875 2.874	26.05	28.88	27.08	12.470 12.410	20.00	4.00 NPT
5010LX	1.062 1.077	8.50	32.00	—	—	12.00	3.875 3.874	26.05	28.88	27.08	12.470 12.410	20.00	4.00 NPT
5011LX	1.062 1.077	8.50	—	36.00	—	12.00	3.875 3.874	26.05	28.88	27.08	12.470 12.410	20.00	4.00 NPT
5012LX	1.062 1.077	8.50	—	—	40.00	12.00	3.875 3.874	26.05	28.88	27.08	12.470 12.410	20.00	4.00 NPT
5013LX	1.062 1.077	8.50	45.00	—	—	12.00	3.875 3.874	26.05	28.88	27.08	12.470 12.410	20.00	4.00 NPT
5010L	1.062 1.077	8.50	32.00	—	—	9.50	4.000 3.999	26.05	28.88	27.08	12.470 12.410	20.00	4.00 NPT
5011L	1.062 1.077	8.50	—	36.00	—	9.50	4.000 3.999	26.05	28.88	27.08	12.470 12.410	20.00	4.00 NPT
5012L	1.062 1.077	8.50	—	—	40.00	9.50	4.000 3.999	26.05	28.88	27.08	12.470 12.410	20.00	4.00 NPT
5013L	1.062 1.077	8.50	45.00	—	—	9.50	4.000 3.999	26.05	28.88	27.08	12.470 12.410	20.00	4.00 NPT
5010S	1.062 1.077	8.50	32.00	—	—	5.75	2.625 2.624	26.05	28.88	27.08	12.470 12.410	20.00	4.00 NPT
5011S	1.062 1.077	8.50	—	36.00	—	5.75	2.625 2.624	26.05	28.88	27.08	12.470 12.410	20.00	4.00 NPT
5012S	1.062 1.077	8.50	—	—	40.00	5.75	2.625 2.624	26.05	28.88	27.08	12.470 12.410	20.00	4.00 NPT
5013S	1.062 1.077	8.50	45.00	—	—	5.75	2.625 2.624	26.05	28.88	27.08	12.470 12.410	20.00	4.00 NPT

All dimensions are measured in inches. For "C" dimensions, refer to the appropriate catalog page. Certified drawings are available upon request - contact LEESON Electric for details.



SAFETY

Safety is emphasized throughout this catalog. These are safety alert symbols and signal words. They alert the user to potential personal injury hazards. Obey all safety messages to avoid possible injury or death or damage to equipment and other property.

⚠ WARNING WARNING indicates a hazardous situation which, if not avoided, could result in death or serious injury.

⚠ CAUTION CAUTION indicates a hazardous situation which, if not avoided, could result in minor or moderate injury.

IMPORTANT INFORMATION PLEASE READ CAREFULLY

This catalog is not intended to provide operational instructions. Appropriate LEESON® Electric instructions provided with the motor and precautions attached to the motor should be read carefully prior to installation, operation and/or maintenance of the equipment. Injury to personnel or motor failure may be caused by improper installation, maintenance or operation.

The following **WARNING** and **CAUTION** information is supplied to you for your protection and to provide you with many years of trouble free and safe operation of your LEESON Electric product:

⚠ WARNING

Indicates a hazardous situation which, if not avoided, could result in death or serious injury. Failure to follow the steps listed below could result in damage to equipment or personal injury.

- Disconnect power and lock out driven equipment before working on a motor.
- Keep hands and clothing away from moving parts.
- The lifting support on the motor is not to be used to lift the entire machine. Only the motor attached directly to the support may be safely lifted by the support.
- Install and ground per local and national codes.
- Discharge all capacitors before servicing a single phase motor.
- Misapplication of a motor in hazardous environments can cause fire or an explosion and result in serious injury. Only the end user, local authority having jurisdiction, and/or insurance underwriter are qualified to identify the appropriate class(es), group(s), division(s), and temperature code(s) that applies(y) in a hazardous environment. LEESON Electric personnel cannot evaluate or recommend what motors may be suitable for use in hazardous environments. If a motor is name plated for hazardous locations, do not operate the motor without all of the grease and drain plugs installed.
- Never attempt to measure the temperature rise of a motor by touch. Temperature rise must be measured by thermometer, resistance, resistance, imbedded detector or thermocouple.
- Motors with automatic reset thermal protectors will automatically restart when the protector temperature drops sufficiently. Do not use motors with automatic reset thermal protectors in applications where automatic restart will be hazardous to personnel or equipment.
- Motors with manual reset thermal protectors may start unexpectedly after the protector trips when the surrounding air is at +20° Fahrenheit or lower. If the manual reset protector trips, disconnect motor from its power supply. After the protector cools (five minutes or more), it can be reset and power may be applied to the motor.
- Connect all protective device leads, marked P1, P2, etc., per instructions supplied with the motor.
- Operation of a motor at other than its nameplate rating may result in fire, damage to equipment or serious injury to personnel.
- For safety, buyer or user should provide protective guards over all shaft extensions and any moving apparatus mounted thereon. The user is responsible for checking all applicable safety codes in his area and providing suitable guards. Failure to do so may result in bodily injury and/or damage to equipment.

Warnings and Cautions

Electrical

IMPORTANT INFORMATION CONTINUED PLEASE READ CAREFULLY

CAUTION

Indicates a hazardous situation which, if not avoided, could result in minor or moderate injury. Failure to follow the steps listed below could result in damage to equipment or personal injury.

- Consult qualified personnel with questions and all electrical repairs must be performed by trained and qualified personnel only.
- For motors nameplated as “belted duty only,” do not operate the motor without belts properly installed.
- Motors and/or driven equipment should not be operated faster than their rated speed.
- For inverter applications, follow the inverter manufacturer’s installation guidelines.
- Make sure the motor is properly secured and aligned before operation.

In the event of the resale of any of the goods, in whatever form, Resellers/Buyers will include the following language in a conspicuous place and in a conspicuous manner in a written agreement covering such sale:

THE MANUFACTURER MAKES NO WARRANTY OR REPRESENTATIONS, EXPRESS OR IMPLIED, BY OPERATION OF LAW OR OTHERWISE, AS TO THE MERCHANTABILITY OR FITNESS FOR A PARTICULAR PURPOSE OF THE GOODS SOLD HEREUNDER. BUYER ACKNOWLEDGES THAT IT ALONE HAS DETERMINED THAT THE GOODS PURCHASED HEREUNDER WILL SUITABLY MEET THE REQUIREMENTS OF THEIR INTENDED USE. In no event will the manufacturer be liable for consequential, incidental or other damages. Even if the repair or replacement remedy shall be deemed to have failed of its essential purpose under Section 2-719 of the Uniform Commercial Code, the manufacturer shall have no liability to Buyer for consequential damages.

Resellers/Buyers agree to also include this entire document including the warnings and cautions above in a conspicuous place and in a conspicuous manner in writing to instruct users on the safe usage of the product.

This information should be read together with all other printed information supplied by LEESON Electric.

For more information contact: LEESON Electric, Regal Beloit America, Inc., 1051 Cheyenne Avenue, Grafton, Wisconsin 53024

Phone: 262-377-8810 or Fax: 262-377-3440

IMPORTANT INFORMATION PLEASE READ CAREFULLY

The following **WARNING** and **CAUTION** information is supplied to you for your protection and to provide you with many years of trouble free and safe operation of your LEESON® Electric product:

Read ALL instructions prior to operating reducer. Injury to personnel or reducer failure may be caused by improper installation, maintenance or operation.

WARNING

Indicates a hazardous situation which, if not avoided, could result in death or serious injury. Failure to follow the steps listed below could result in damage to equipment or personal injury.

- Written authorization from LEESON Electric is required to operate or use reducers in man lift or people moving devices.
- Check to make certain application does not exceed the allowable load capacities published in the current catalog.
- Buyer shall be solely responsible for determining the adequacy of the product for any and all uses to which buyer shall apply the product. The application by buyer shall not be subject to any implied warranty of fitness for a particular purpose.
- For safety, buyer or user should provide protective guards over all shaft extensions and any moving apparatus mounted thereon. The User is responsible for checking all applicable safety codes in his area and providing suitable guards. Failure to do so may result in bodily injury and/or damage to equipment.
- Hot oil and reducers can cause severe burns. Use extreme care when removing lubrication plugs and vents.
- Make certain that the power supply is disconnected before attempting to service or remove any components. Lock out the power supply and tag it to prevent unexpected application of power.
- Reducers are not to be considered fail safe or self-locking devices. If these features are required, a properly sized, independent holding device should be utilized. Reducers should not be used as a brake.
- Any brakes that are used in conjunction with a reducer must be sized or positioned in such a way so as to not subject the reducer to loads beyond the catalog rating.
- Lifting supports including eyebolts are to be used for vertically lifting the gearbox only and no other associated attachments or motors.
- Use of an oil with an EP additive on units with backstops may prevent proper operation of the backstop. Injury to personnel, damage to the reducer or other equipment may result.
- Overhung loads subject shaft bearings and shafts to stress which may cause premature bearing failure and/or shaft breakage from bending fatigue, if not sized properly.

CAUTION

Indicates a hazardous situation which, if not avoided, could result in minor or moderate injury. Failure to follow the steps listed below could result in damage to equipment or personal injury.

- Test run unit to verify operation. If the unit tested is a prototype, that unit must be of current production.
- If the speed reducer cannot be located in a clear and dry area with access to adequate cooling air supply, then precautions must be taken to avoid the ingestion of contaminants such as water and the reduction in cooling ability due to exterior contaminants.
- Mounting bolts should be routinely checked to ensure that the unit is firmly anchored for proper operation.

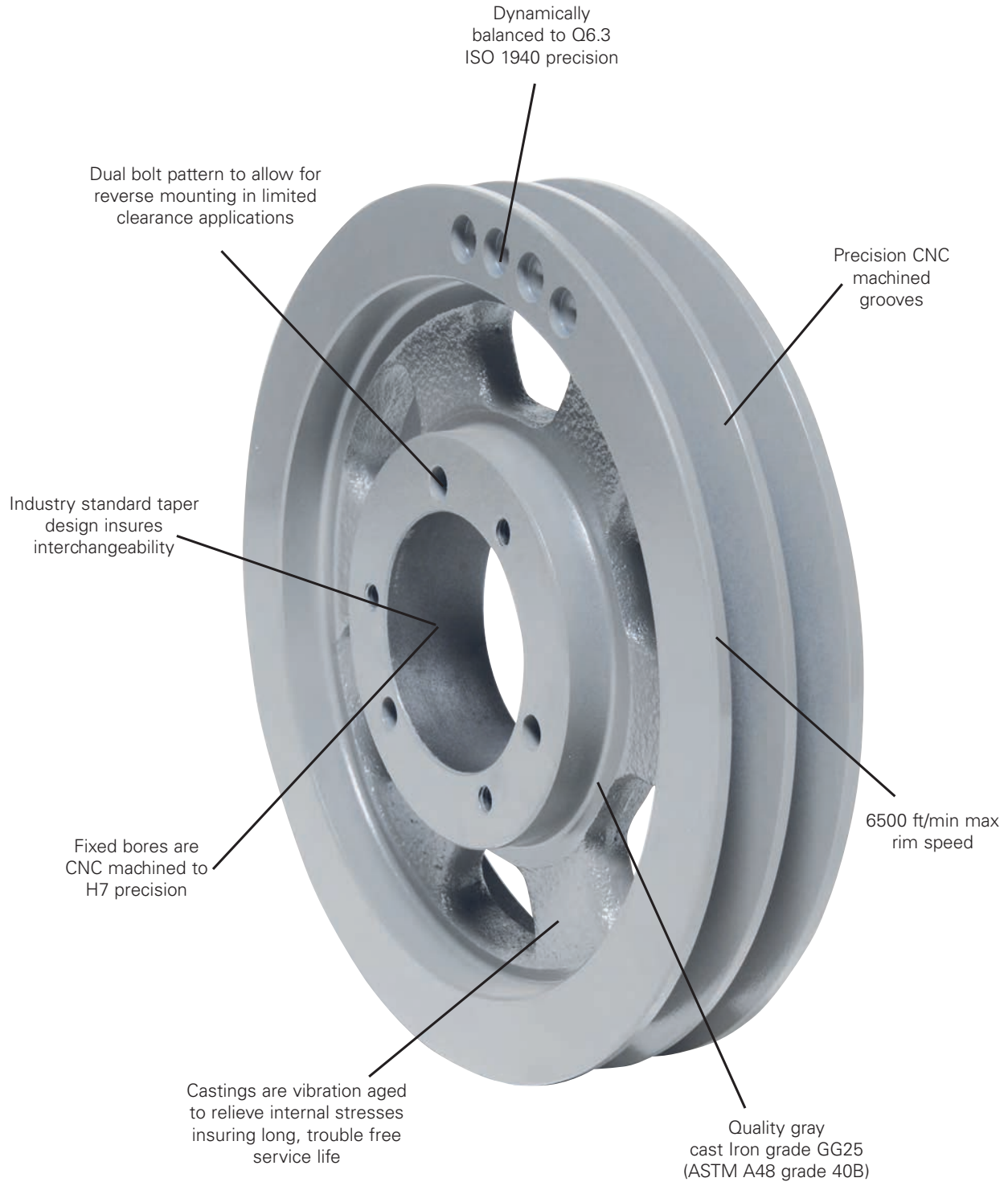
In the event of the resale of any of the goods, in whatever form, resellers/buyers will include the following language in a conspicuous place and in a conspicuous manner in a written agreement covering such sale:

THE MANUFACTURER MAKES NO WARRANTIES OR REPRESENTATIONS, EXPRESS OR IMPLIED, BY OPERATION OF LAW OR OTHERWISE, AS TO THE MERCHANTABILITY OR FITNESS FOR A PARTICULAR PURPOSE OF THE GOODS SOLD HEREUNDER. BUYER ACKNOWLEDGES THAT IT ALONE HAS DETERMINED THAT THE GOODS PURCHASED HEREUNDER WILL SUITABLY MEET THE REQUIREMENTS OF THEIR INTENDED USE. IN NO EVENT WILL THE MANUFACTURER BE LIABLE FOR CONSEQUENTIAL, INCIDENTAL OR OTHER DAMAGES. Even if the repair or replacement remedy shall be deemed to have failed of its essential purpose under Section 2-719 of the Uniform Commercial Code, the manufacturer shall have no liability to Buyer for consequential damages.

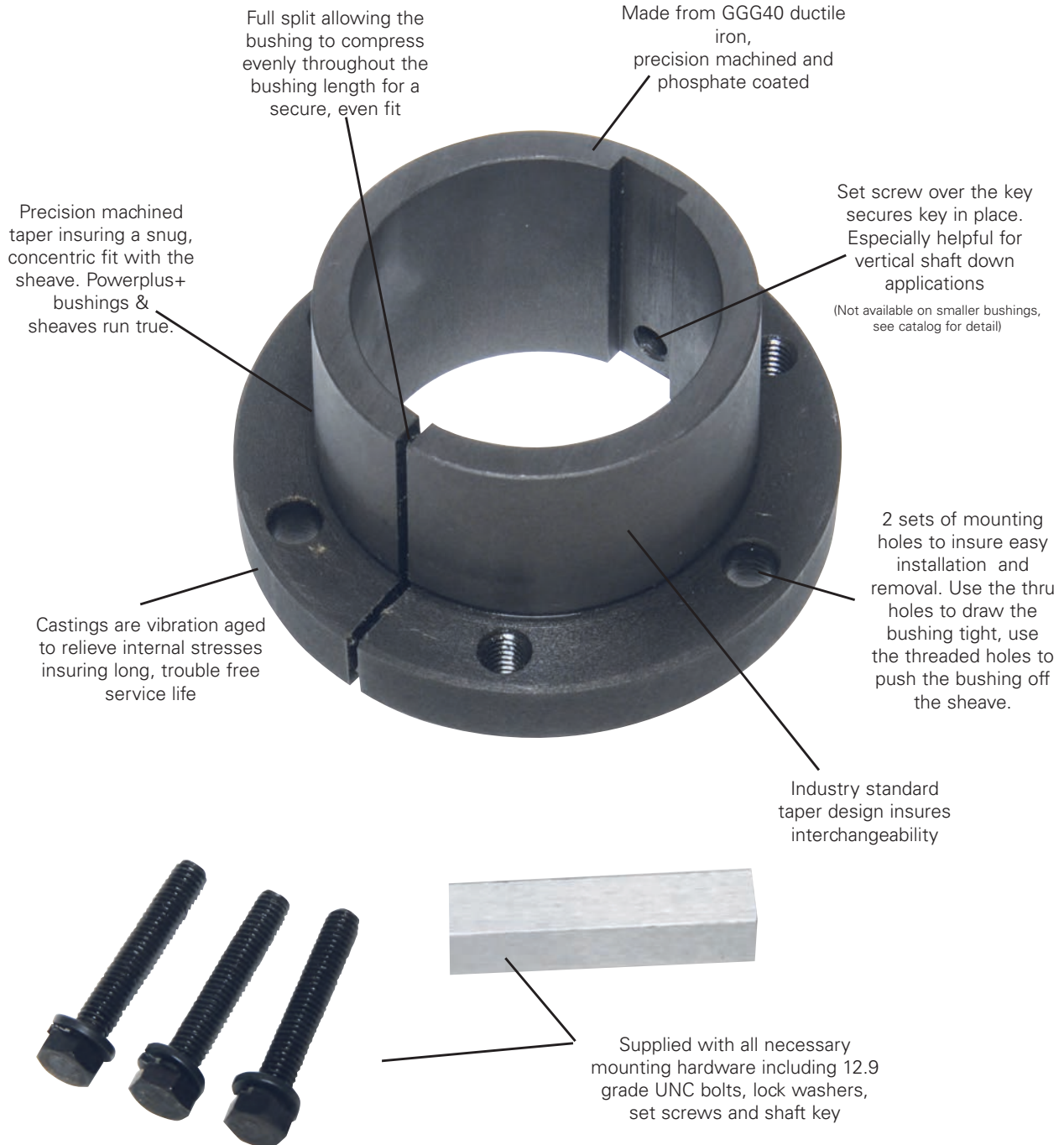
Resellers/buyers agree to also include this entire document including the warnings and cautions above in a conspicuous place and in a conspicuous manner in writing to instruct users on the safe usage of the product. This information should be read together with all other printed information supplied by LEESON Electric.

INDUSTRY STANDARD POWER TRANSMISSION SOLUTIONS!

ISO9001 certified manufacturing facility



STANDARDIZED TAPER BUSHINGS & SHEAVES FOR ALL YOUR POWER TRANSMISSION NEEDS!



LEESON University.
It's everything you need to know.

Subjects Covered:

Regal Overview



AC Electric Motor Principles

DC Electric Motor Principles

PMAC Electric Motor Principles

Motor Applications

Power Transmission

Gear Reducer Principles

LEESON.com review

Manufacturing Plant Workshop

Contact your local LEESON Sales office for more information

District Sales Offices and Warehouses

LEESON District Sales Offices & Warehouses can provide complete information including price and availability on both standard stock and special motors.

United States

- **CALIFORNIA, Los Angeles**
Bob Schwing
323/278-7979
Fax: 323/728-7955
- **CALIFORNIA, San Francisco**
District Mgr.,
Dave Richardson
925/371-8125
Fax: 925/371-5673
- **COLORADO, Denver**
District Mgr.,
Kevin Springstead
800/444-7609
Fax: 972/245-2328
- **NEW ENGLAND, Metro Boston, MA**
District Mgr.,
Dave Manning
888/479-7875
Fax: 508/987-1173
- **FLORIDA, Tampa**
District Mgr.,
Bill Taylor
813/740-2571
Fax: 813/663-9104
- **GEORGIA, Atlanta**
District Mgr.,
Walter Brooks
770/933-0453
Fax: 770/933-0549
- **ILLINOIS, Chicago**
Co-District Managers
Mike Miller,
Robert Sheppard
630/458-9511
Fax: 630/458-1923
- **INDIANA, Indianapolis**
District Mgr.,
Matt Simko
800/331-2911
Fax: 440/975-3575
- **IOWA, Des Moines**
District Mgr.,
John Marshalla
952/935-8271
Fax: 952/935-8399
- **KANSAS, Kansas City**
District Mgr.,
Pat Donnelly
913/599-6983
Fax: 913/599-6987
- **MICHIGAN, Grand Rapids**
District Mgr.,
Greg Norris
616/249-8430
Fax: 616/249-8628
- **MINNESOTA, Minneapolis**
District Mgr.,
John Marshalla
952/935-8273
Fax: 952/935-8399
- **MISSOURI, St. Louis**
Co-District Managers
Pat and Ken Anvender
314/714-1460
Fax: 314/714-1461
- **NEW JERSEY/METRO NEW YORK/LONG ISLAND**
(Plainfield, NJ 18229)
Dan Brisbane
570/325-3684
Fax: 570/325-3870
- **NEW YORK, Syracuse**
District Mgr.,
Chris Brisbane
866/505-8796
Fax: 570/325-3870
- **NORTH CAROLINA, Charlotte**
District Mgr.,
Doug Landgraf
803/396-8200
Fax: 803/396-8208
- **OHIO, Cincinnati**
District Mgr.,
Ken Simko
513/755-1000
Fax: 513/755-1081
- **OHIO, Cleveland**
District Mgr., Matt Simko
440/951-5117
Fax: 440/975-3575
800/331-2911 (W.PA, WV)
- **PENNSYLVANIA, Jim Thorpe**
District Mgr.,
Craig Brisbane
570/325-3684
Fax: 570/325-3870
- **TEXAS, Dallas**
District Mgr.,
Kevin Springstead
800/444-7609
Fax: 972/245-2328
- **TEXAS, Houston**
District Mgr.,
Kevin Springstead
800/444-7609
Fax: 972/245-2328
- **UTAH, Salt Lake City**
District Mgr.,
Kevin Springstead
800/444-7609
Fax: 972/245-2328
- **WASHINGTON, Seattle**
District Mgr.,
Amorette Gent
206/767-2780
Fax: 206/767-2851
- **WISCONSIN, Milwaukee**
District Mgr.,
Brian Birtic
414/475-9222
Fax: 414/475-9267

International

- International Sales Administrator,
Lori Volkert
WISCONSIN, Grafton
(+1) 262/377-8810
Fax: (+1) 262/377-3440
- **ASIA**
Mr. Say Jou Yap
Singapore
(+65) 6863-3473
Fax: (+65) 6863-3476
salesg@regalbeloit.com
- **CENTRAL AMERICA, MEXICO, SOUTH AMERICA & CARIBBEAN FLORIDA, Miami**
Mr. Paulo Martin
(+1) 813/621-3030
Fax: (+1) 813/252-3910
sales@cidela.com
- **EUROPE**
Mr. Amit Luske
Mors 1-5, Eibergen
Netherlands 7151MX
Mobile: (+31) 6-13-12-15-92
(+31) 545-46-4640
Fax: (+31) 545-47-50-65
amit.luske@regalbeloit.com
- **MIDDLE EAST**
Al Shibl Global (FZC)
PO Box No 52298
Hamriyah Free Zone
Sharjah
United Arab Emirates
(+971) 05 5337 3239
Fax: (971) 06 7314 965
info@alshiblinH.com
- **UNITED KINGDOM**
Amy Rachel Robinson
Droitwich
(+44) 1 299 250 859
(+44) 1 299 251 493
sales@motovario.co.uk

Regal Beloit Canada

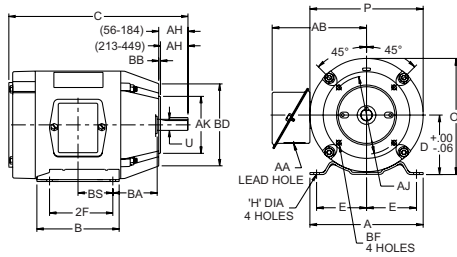
- **ALBERTA, Edmonton**
Branch Mgr.,
Mike Strenkowski
780/437-3380
Fax: 780/434-3448
- **BRITISH COLUMBIA, Vancouver**
Branch Mgr.,
Keary Bott
888-599-1177
Fax: 604-888-0337
- **MANITOBA, Winnipeg**
Branch Mgr.,
Charlie Vogel
204/786-6802
Fax: 204/786-6934
- **ONTARIO, Toronto**
905/670-4770
Fax: 905/670-8971
- **ONTARIO, Hanover**
Branch Mgr.,
Tracey McMeeken
800/463-1797
Fax: 800/225-9007
- **QUEBEC, Canada**
Branch Mgr.,
Michael Jenkins
514/337-8020
Fax: 514/337-0773

Notes

S	Steel frame	26	Shaft is 1/2" Dia. X 1 1/2" long with flat
A	Aluminum frame	27	Shaft is 5/8" Dia. X 1.97" long with 3/16" keyway
C	Cast Iron frame	28	1/4" long extended through-bolts
US	Made in the USA	29	IEC Frame - See IEC dimension chart in back of catalog for dimension information
MX	Made in Mexico	30	CW rotation only, from lead end of motor
CA	Made in Canada	31	For motors having a "P" suffix letter in the date code
CN	Made in China	32	Motor has terminal board connection
2	These combination 56H base motors have mounting holes for 56 and 143-5T, and 1/2 diameter shaft with flat 1.5" long	33	Automatic overload - cannot use with VFD
3	Combination 56 H base has mounting holes for NEMA 56 and 143-5T and a standard MA 145T frame shaft of 7/8" Dia.	34	1" long extended through-bolts
4	These motors have a NEMA 215T base mounting pattern and shaft height of 5.25"; with usable length of 3 3/8 and diameter of 1 1/8 with standard key	35	Terminal studs at 12:00
5	Combination 56 H base has mounting holes for NEMA 56, and has a standard NEMA 145T frame shaft of 7/8" Dia.	36	Special BA dimension 2.31 for belt guard clearance
6	Combination 56H base has mounting holes for NEMA 56 and NEMA 143-5T and a standard NEMA 56 shaft of 5/8"	37	Uses drip cover kit 175305.00
7	48YZ motors have std. 48-frame base with 1/2" dia. X 1 7/8 long shaft ext. with flat. Also includes sleeve to convert shaft to 5/8" dia. With 3/16" square key"	38	Uses drip cover kit 175004.00
8	NEMA 145TC shaft, 7/8" X 2 1/4" and NEMA 56 removable base	39	Uses drip cover kit 175932.00
9	S56CZ motors have mounting bases with NEMA 56 mounting holes, NEMA 56/143-5T C-face and a NEMA 143-5T shaft extension (7/8" dia x 2 1/4" long)	40	Uses drip cover kit 175933.00
10	Motor has mounting base with 182T mounting holes, shaft height is 4.5". Shaft is std. NEMA 56-5/8" dia. X 1 7/8 long	41	Uses drip cover kit 175846.00
11	TEBC totally enclosed blower cooled	42	Uses drip cover kit 175849.00
12	TENV totally enclosed non-vented	43	Uses drip cover kit 175962.00
13	TEFC totally enclosed fan cooled	44	Uses drip cover kit 175963.00
14	F1 mounting only	45	Uses drip cover kit 175614.00
15	Built-in conduit box located at 12:00	46	50 Hz operation at rated HP
16	1/2" diameter shaft - 2 1/4" long	47	Rated at 50Hz at full rated HP
17	5/8" diameter shaft - 2 5/8" long	48	190/380V, 50Hz at next lowest HP @1.15 S.F.
18	Shaft extension has keyway and flat 180° apart for ease of mounting	49	Class F insulated
19	Shaft is 5/8" Dia.by 2.0" long	50	Suitable for single speed operation only
20	Shaft is 5/8" Dia.by 2 5/8" long	51	Mechanical centrifugal starting switch with overspeed protection, others have electronic start switch
21	Shaft is 3/4" Dia.by 3 1/2" long	52	Extra high starting torque
22	Standard 5/8" diameter shaft with keyway plus 3/4" deep hole drilled and tapped to 1/4-20 UNC in end of shaft to facilitate mounting of some fan blades	53	Capacitor start/capacitor run design for reduced amperage, others are capacitor start/induction run
23	Standard 7/8" diameter shaft with keyway plus 3/4" deep hole drilled and tapped to 1/4-20 UNC in end of shaft to facilitate mounting of some fan blades	54	Split phase start, capacitor run is suitable for belt drive within the airflow of the fan
24	Motor's shaft is 1 inch longer than standard	55	Split phase start, capacitor run
25	Shaft extension has keyway and flat 180° apart for ease of mounting. Useable shaft is 1 1/2" long by 1/2 Dia., 1/8" keyway	56	Designed for inverter duty operation
		57	Rated for farm duty service
		58	Provision for belly band mount, no base
		59	Resilient base with provision for belly band mount
		60	Rigid base
		61	Nema 145TC face mounting with removable NEMA 182T rigid base
		62	Provision for belly band and pedestal fan mounting, no rigid base
		63	Resilient base
		64	Stub shaft on ODE for manual jogging

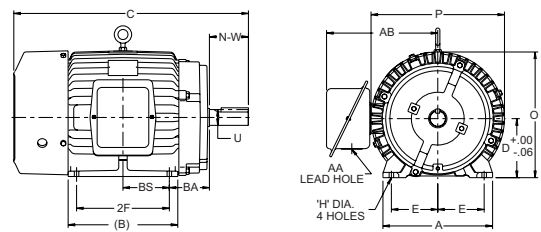
NEMA® Quick Reference Dimensional Chart

Typical C-Face Motor



NEMA C-Face	BA Dimensions
143-5TC	2-3/4
182-4TC	3-1/2
213-5TC	4-1/4
254-6TC	4-3/4

Typical Rigid Base Motor



Contact your LEESON sales representative for "AB", "O", & "P" Dimensions.

Refer to your LEESON catalog for "C" Dimensions.

Frame	D	E	2F	H	U	N-W	AA	AH	AJ	AK	BA	BBk (MIN)	BD (MAX)	BF
48	3.00	2.12	2.75	.34 SLOT	.6250	1.50	1/2	1.69	3.750	3.000	2.50	.13	5.62	1/4-20
56	3.50	2.44	3.00	.34 SLOT	.6250	1.88	1/2	2.06	5.875	4.500	2.75	.13	6.50	3/8-16
56H	3.50	2.44	5.00	.34 SLOT	.6250	1.88	1/2	2.06	5.875	4.500	2.75	.13	6.50	3/8-16
143T	3.50	2.75	4.00	.34	.8750	2.25	3/4	2.12	5.875	4.500	2.25	.13	6.50	3/8-16
145T	3.50	2.75	5.00	.34	.8750	2.25	3/4	2.12	5.875	4.500	2.25	.13	6.50	3/8-16
182	4.50	3.75	4.50	.41	.8750	2.25	3/4	2.12	5.875	4.500	2.75	.13	6.50	3/8-16
184	4.50	3.75	5.50	.41	.8750	2.25	3/4	2.12	5.875	4.500	2.75	.13	6.50	3/8-16
182T	4.50	3.75	4.50	.41	1.125	2.75	3/4	2.62	7.250	8.500	2.75	.25	9.00	1/2-13
184T	4.50	3.75	5.50	.41	1.125	2.75	3/4	2.62	7.250	8.500	2.75	.25	9.00	1/2-13
213	5.25	4.25	5.50	.41	1.125	3.00	1	2.75	7.250	8.500	3.50	.25	9.00	1/2-13
215	5.25	4.25	7.00	.41	1.125	3.00	1	2.75	7.250	8.500	3.50	.25	9.00	1/2-13
213T	5.25	4.25	5.50	.41	1.375	3.38	1	3.12	7.250	8.500	3.50	.25	9.00	1/2-13
215T	5.25	4.25	7.00	.41	1.375	3.38	1	3.12	7.250	8.500	3.50	.25	9.00	1/2-13
254U	6.25	5.00	8.25	.53	1.375	3.75	1-1/4	3.50	7.250	8.500	4.25	.25	10.00	1/2-13
256U	6.25	5.00	10.00	.53	1.375	3.75	1-1/4	3.50	7.250	8.500	4.25	.25	10.00	1/2-13
254T	6.25	5.00	8.25	.53	1.625	4.00	1-1/4	3.75	7.250	8.500	4.25	.25	10.00	1/2-13
256T	6.25	5.00	10.00	.53	1.625	4.00	1-1/4	3.75	7.250	8.500	4.25	.25	10.00	1/2-13
284U	7.00	5.50	9.50	.53	1.625	4.88	1-1/2	4.62	9.000	10.500	4.75	.25	11.25	1/2-13
286U	7.00	5.50	11.00	.53	1.625	4.88	1-1/2	4.62	9.000	10.500	4.75	.25	11.25	1/2-13
284T	7.00	5.50	9.50	.53	1.875	4.62	1-1/2	4.38	9.000	10.500	4.75	.25	11.25	1/2-13
286T	7.00	5.50	11.00	.53	1.875	4.62	1-1/2	4.38	9.000	10.500	4.75	.25	11.25	1/2-13
284TS	7.00	5.50	9.50	.53	1.625	3.25	1-1/2	3.00	9.000	10.500	4.75	.25	11.25	1/2-13
286TS	7.00	5.50	11.00	.53	1.625	3.25	1-1/2	3.00	9.000	10.500	4.75	.25	11.25	1/2-13
324U	8.00	6.25	10.50	.66	1.875	5.62	2	5.38	11.000	12.500	5.25	.25	14.00	5/8-11
326U	8.00	6.25	12.00	.66	1.875	5.62	2	5.38	11.000	12.500	5.25	.25	14.00	5/8-11
324T	8.00	6.25	10.50	.66	2.125	5.25	2	5.00	11.000	12.500	5.25	.25	14.00	5/8-11
326T	8.00	6.25	12.00	.66	2.125	5.25	2	5.00	11.000	12.500	5.25	.25	14.00	5/8-11
324TS	8.00	6.25	10.50	.66	1.875	3.75	2	3.50	11.000	12.500	5.25	.25	14.00	5/8-11
326TS	8.00	6.25	12.00	.66	1.875	3.75	2	3.50	11.000	12.500	5.25	.25	14.00	5/8-11
364U	9.00	7.00	11.25	.66	2.125	6.38	2-1/2	6.12	11.000	12.500	5.88	.25	14.00	5/8-11
365U	9.00	7.00	12.25	.66	2.125	6.38	2-1/2	6.12	11.000	12.500	5.88	.25	14.00	5/8-11
364T	9.00	7.00	11.25	.66	2.375	5.88	2-1/2	5.62	11.000	12.500	5.88	.25	14.00	5/8-11
365T	9.00	7.00	12.25	.66	2.375	5.88	2-1/2	5.62	11.000	12.500	5.88	.25	14.00	5/8-11
364TS	9.00	7.00	11.25	.66	1.875	3.75	2-1/2	3.50	11.000	12.500	5.88	.25	14.00	5/8-11
365TS	9.00	7.00	12.25	.66	1.875	3.75	2-1/2	3.50	11.000	12.500	5.88	.25	14.00	5/8-11
404U	10.00	8.00	12.25	.81	2.375	7.12	3	6.88	11.000	12.500	6.62	.25	15.50	5/8-11
405U	10.00	8.00	13.75	.81	2.375	7.12	3	6.88	11.000	12.500	6.62	.25	15.50	5/8-11
404T	10.00	8.00	12.25	.81	2.875	7.25	3	7.00	11.000	12.500	6.62	.25	15.50	5/8-11
405T	10.00	8.00	13.75	.81	2.875	7.25	3	7.00	11.000	12.500	6.62	.25	15.50	5/8-11
404TS	10.00	8.00	12.25	.81	2.125	4.25	3	4.00	11.000	12.500	6.62	.25	15.50	5/8-11
405TS	10.00	8.00	13.75	.81	2.125	4.25	3	4.00	11.000	12.500	6.62	.25	15.50	5/8-11
444U	11.00	9.00	14.50	.81	2.875	8.62	3	8.38	14.000	16.000	7.50	.25	18.00	5/8-11
445U	11.00	9.00	16.50	.81	2.875	8.62	3	8.38	14.000	16.000	7.50	.25	18.00	5/8-11
444T	11.00	9.00	14.50	.81	3.375	8.50	3	8.25	14.000	16.000	7.50	.25	18.00	5/8-11
445T	11.00	9.00	16.50	.81	3.375	8.50	3	8.25	14.000	16.000	7.50	.25	18.00	5/8-11
444TS	11.00	9.00	14.50	.81	2.375	4.75	3	4.50	14.000	16.000	7.50	.25	18.00	5/8-11
445TS	11.00	9.00	16.50	.81	2.375	4.75	3	4.50	14.000	16.000	7.50	.25	18.00	5/8-11
447T	11.00	9.00	20.00	.81	3.375	8.50	3	8.25	14.000	16.000	7.50	.25	18.00	5/8-11
449T	11.00	9.00	25.00	.81	3.375	8.50	3	8.25	14.000	16.000	7.50	.25	18.00	5/8-11
447TS	11.00	9.00	20.00	.81	2.375	4.75	4 NPT	4.50	14.000	16.000	7.50	.25	18.00	5/8-11
449TS	11.00	9.00	25.00	.81	2.375	4.75	4 NPT	4.50	14.000	16.000	7.50	.25	18.00	5/8-11



LEESON

Regal Beloit America, Inc.

1051 Cheyenne Avenue

Grafton, WI 53024

Customer Service: 262-377-8810

Fax: 262-377-9025

www.Leeson.com

APPLICATION CONSIDERATIONS

The proper selection and application of electric motor and power transmission products and components, including the related area of product safety, is the responsibility of the customer. Operating and performance requirements and potential associated issues will vary appreciably depending upon the use and application of such products and components. The scope of the technical and application information included in this publication is necessarily limited. Unusual operating environments and conditions, lubrication requirements, loading supports, and other factors can materially affect the application and operating results of the products and components and the customer should carefully review its requirements. Any technical advice or review furnished by Regal Beloit America, Inc. and/or its affiliates ("Regal") with respect to the use of products and components is given in good faith and without charge, and Regal assumes no obligation or liability for the advice given, or results obtained, all such advice and review being given and accepted at customer's risk.

For a copy of our Standard Terms and Conditions of Sale, please visit <http://www.regalbeloit.com> (please see link at bottom of page to "Standard Terms and Conditions of Sale"). These terms and conditions of sale, disclaimers and limitations of liability apply to any person who may buy, acquire or use a Regal product referred to herein, including any person who buys from a licensed distributor of these branded products.

Regal, LEESON, Bravo, CTAC, ECO AG, Eco Saver, Extreme Duck, IRIS, Leeson FHP Electric Motors, Multiguard, Platinum e, Speedmaster, Ultimate e, Washguard and Wattsaver are trademarks of Regal Beloit Corporation or one of its affiliated companies.

©1972, 2017 Regal Beloit Corporation, All Rights Reserved. MCC17004E L1050E • Printed in USA

