

PRODUCT INFORMATION PACKET



Model No: A6C34XC21J

Catalog No: 111097.00

3/4HP..3450RPM.56.EPFC./V.1PH.60HZ.CONT.AUTOMATIC.40C.1.0SF.ROUND.EXPLOSION-
PROOF.A6C34XC21J

Explosion Proof



Regal and Leeson are trademarks of Regal Beloit Corporation or one of its affiliated companies.

©2018 Regal Beloit Corporation, All Rights Reserved. MC017097E





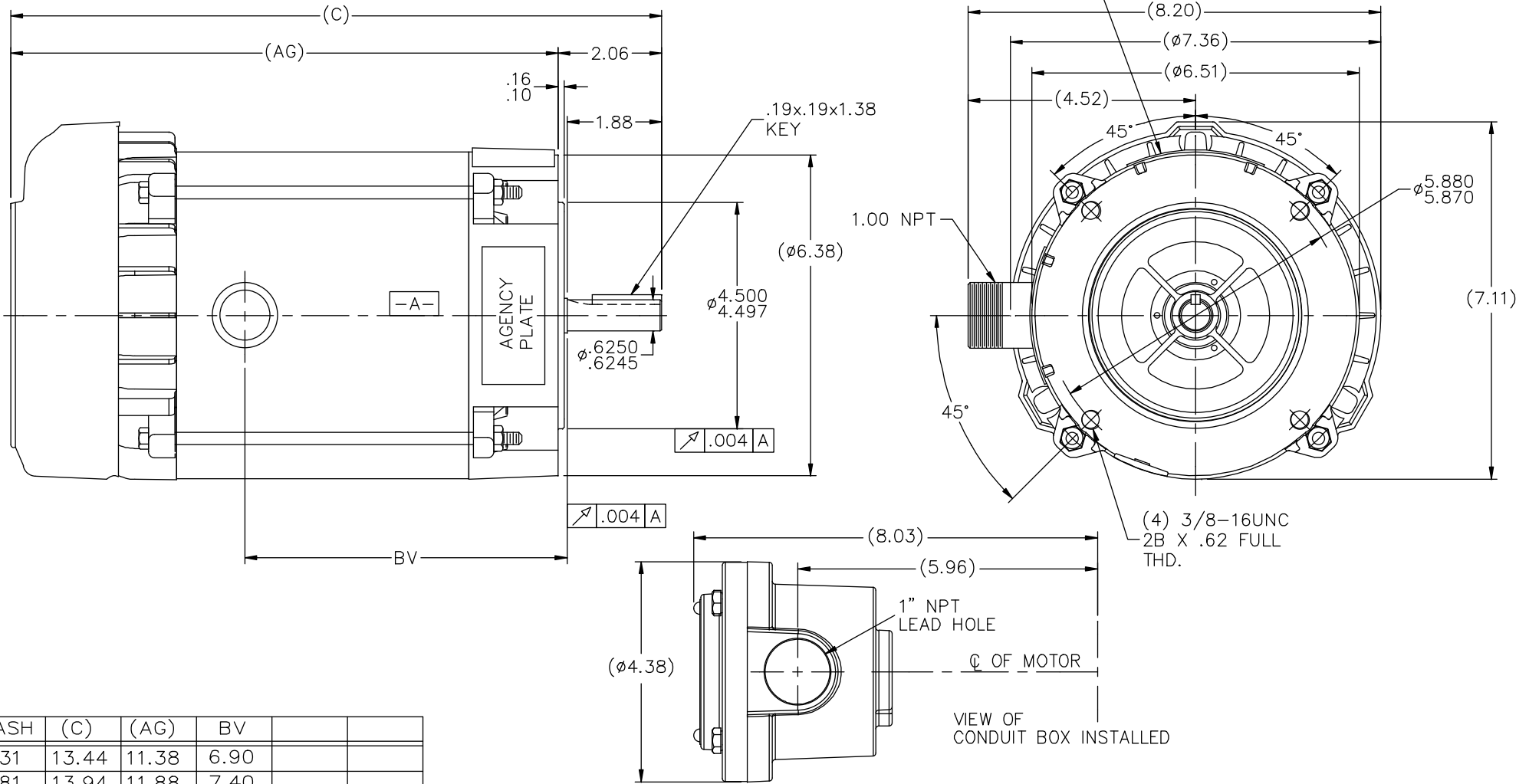
Nameplate Specifications

Output HP	0.75 Hp	Output KW	0.56 kW
Frequency	60 Hz	Voltage	115/208-230 V
Current	10.6/5.3-5.3 A	Speed	3450 rpm
Service Factor	1	Phase	1
Efficiency	66 %	Duty	Continuous
Insulation Class	B	Design Code	N
KVA Code	M	Frame	56C
Enclosure	Explosion Proof Fan cooled	Overload Protector	Automatic
Ambient Temperature	40 °C	Drive End Bearing Size	6203
Opp Drive End Bearing Size	6203	UL	Recognized
CSA	N	CE	N
IP Code	54		

Technical Specifications

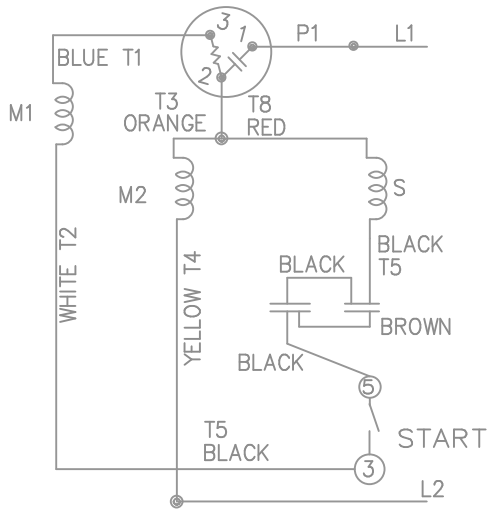
Electrical Type	Capacitor Start Induction Run	Starting Method	Across The Line
Poles	2	Rotation	Selective Counterclockwise
Mounting	Round	Motor Orientation	HORIZONTAL
Drive End Bearing	BALL	Opp Drive End Bearing	BALL
Frame Material	Rolled Steel	Shaft Type	NEMA 56
Overall Length	13.94 in	Frame Length	6.81 in
Shaft Diameter	0.625 in	Shaft Extension	1.88 in
Assembly/Box Mounting	F1 ONLY		
Outline Drawing	B-104188LE-681	Connection Diagram	A-102005-109LE

NAMEPLATES TO BE READ FROM SHAFT EXT. END.

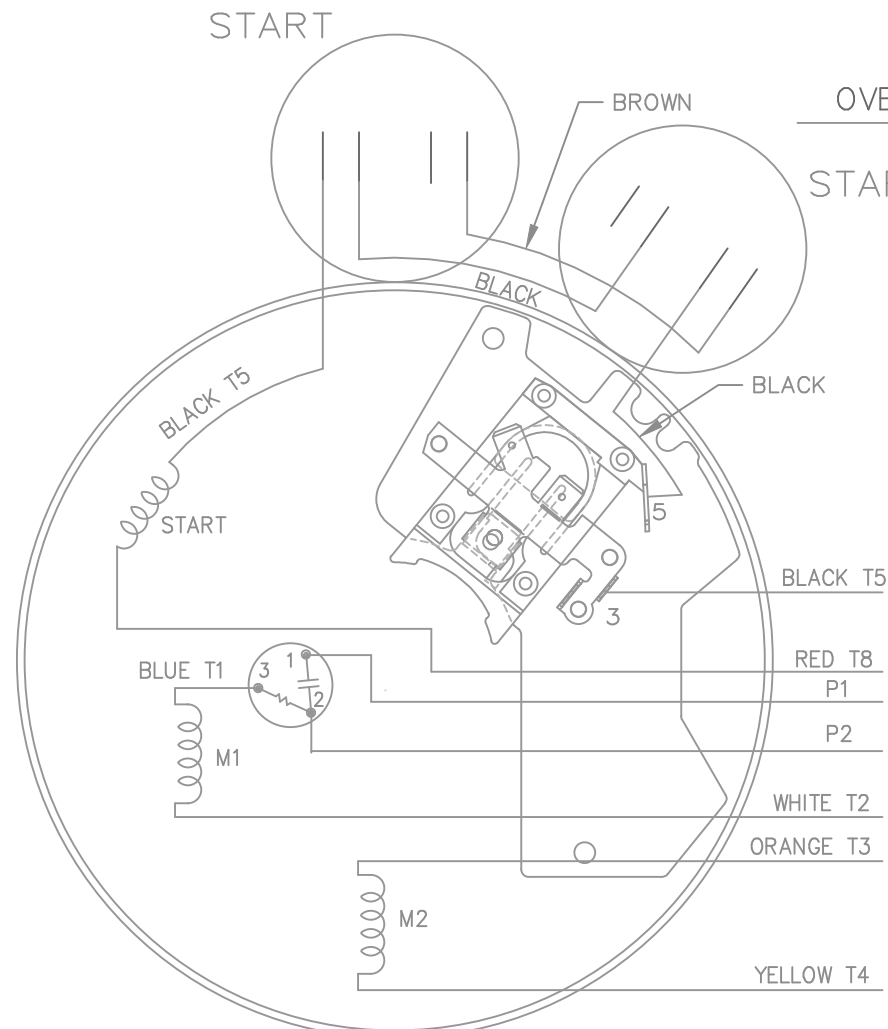
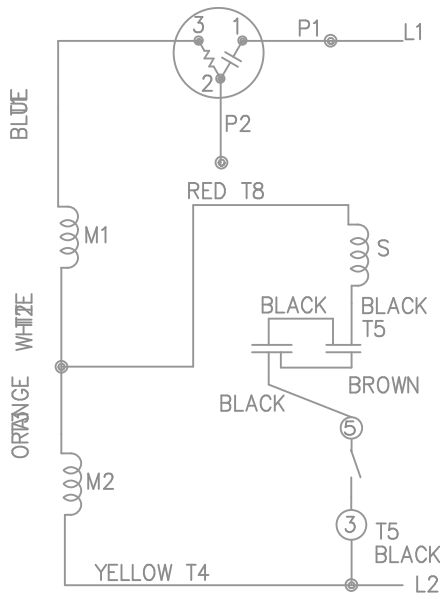


DASH	(C)	(AG)	BV		
631	13.44	11.38	6.90		
681	13.94	11.88	7.40		
731	14.44	12.38	7.90		
781	14.94	12.88	8.40		
831	15.44	13.38	8.90		
881	15.94	13.88	9.40		
931	16.44	14.38	9.90		
981	16.94	14.88	10.40		

		TOLERANCES UNLESS SPECIFIED		LEESON ELECTRIC MOTORS GEARMOTORS AND DRIVES		DRAWN RJW 06-22-2007	
		DEC.	INCHES			CHK	ML 06-22-2007
		.X	±.1			APPD	GK 06-22-2007
		.XX	±.03	TITLE OUTLINE - 'C' FACE		SCALE	17=32
		.XXX	±.005	56 FR. - EXP. PR.		REF	
01	COND. BOX INSTALLED VIEW UPDATED PER ECR-0044571	UD	10/10/13	ST	.XXXX ±.0005	MAT'L.	FMF
NO.	REVISION	BY & DATE		CHK	ANG ±7'30"	FINISH	PREV
THIS DRAWING IN DESIGN AND DETAIL IS OUR PROPERTY AND MUST NOT BE USED EXCEPT IN CONNECTION WITH OUR WORK ALL RIGHTS OF DESIGN AND INVENTION ARE RESERVED THIS IS AN ELECTRONICALLY GENERATED DOCUMENT - DO NOT SCALE THIS PRINT				RFP	06-22-2007	CAD FILE	104188LE
				DIST	WP	SIZE	DRAWING NO. PAGE OF REV. B 104188LE 01



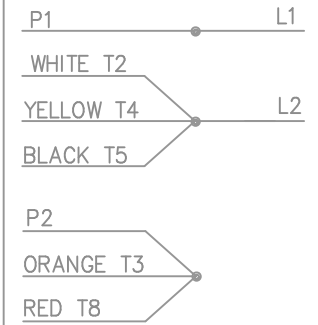
HIGH VOLTAGE - C.C.W.



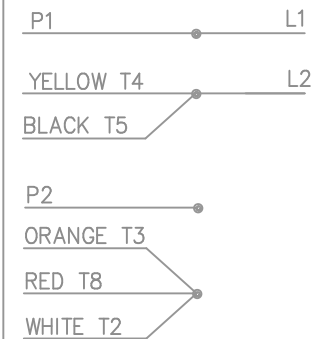
DUAL VOLTAGE CAPACITOR START OVERLOAD SELECT ROT.

START

LOW VOLT. - C.C.W. ROT.



HIGH VOLT. - C.C.W. ROT.



FOR C.W. ROTATION
EITHER VOLTAGE
INTERCHANGE RED(T8)
WITH BLACK(T5) LEAD

TOLERANCES UNLESS SPECIFIED

DEC. INCHES

.X ± -

.XX ± -

.XXX ± -

.XXXX ± -

CHK ANG ± -



ELECTRIC MOTORS
GEARMOTORS
AND DRIVES

TITLE CONNECTION DIAGRAM

MAT'L.

FINISH

DRAWN MJD 02-11-1998

CHK ML 02-19-1998

APPD DAR 02-23-1998

SCALE 5=8

REF

FMF

PREV

NO.

REVISION

BY & DATE

CHK

THIS DRAWING IN DESIGN AND DETAIL IS OUR PROPERTY AND MUST NOT BE USED EXCEPT IN CONNECTION WITH OUR WORK ALL RIGHTS OF DESIGN AND INVENTION ARE RESERVED THIS IS AN ELECTRONICALLY GENERATED DOCUMENT - DO NOT SCALE THIS PRINT

RFP

DIST WP

CAD FILE 102005-109

SIZE

DRAWING NO. PAGE OF

REV.

A

102005-109LE

0



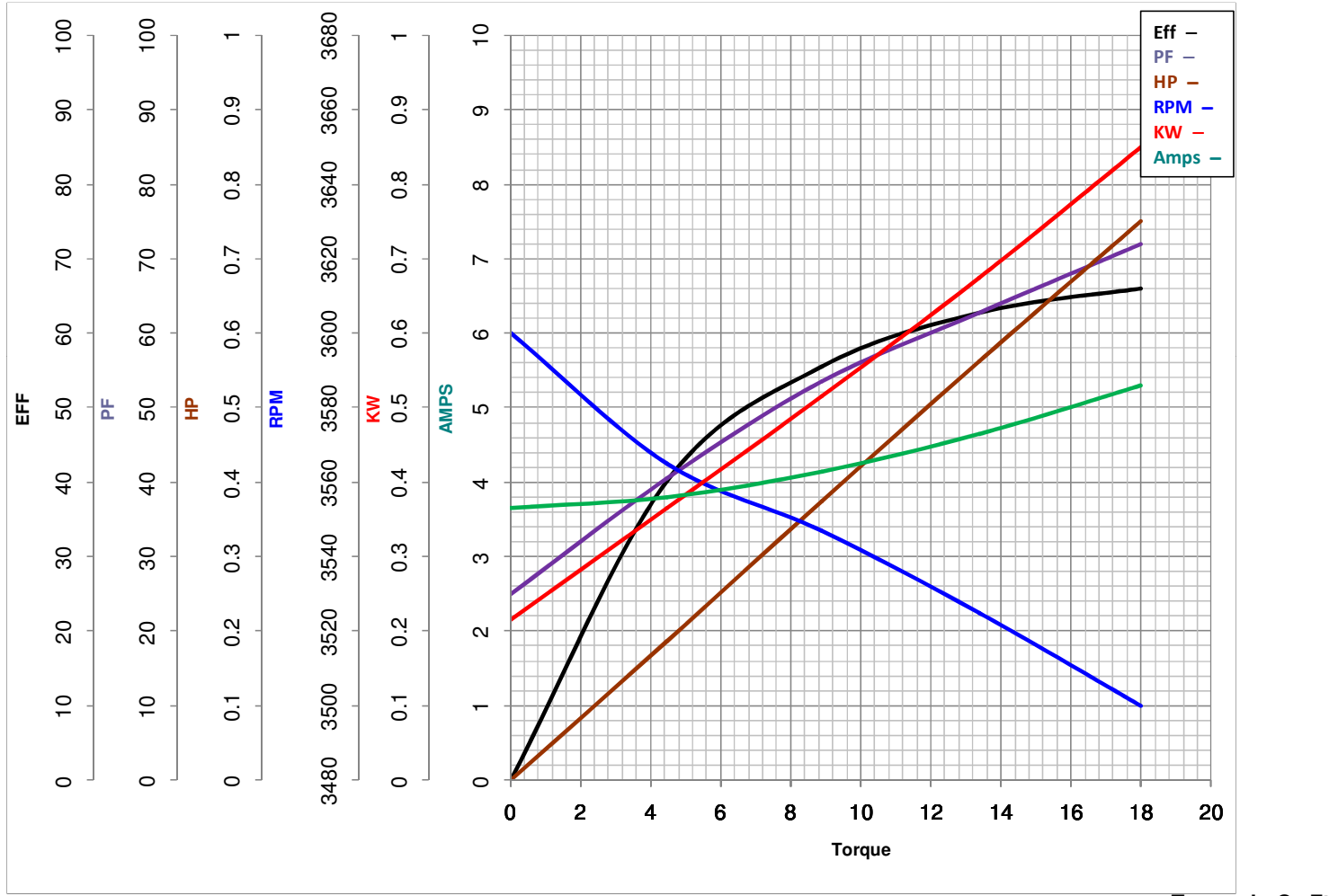
LEESON ELECTRIC CORPORATION
 TYPICAL PERFORMANCE CURVE for AC MOTOR

Model No 111097.00

Catalog No 111097.00

Curve at 230 Volts HP 0.75 PHASE 1
60 HZ
0.75 HP VOLTS 115/208-230

HZ 60 RPM 3450



FL TORQUE	<u>18</u>	Oz.Ft	FL AMPS	<u>10.6/5.3-5.3</u>
BD TORQUE	<u>54.1</u>	Oz.Ft	PU TORQUE	<u>48.6</u> Oz.Ft
LR TORQUE	<u>59.6</u>	Oz.Ft	LR AMPS	<u>34.7</u>
WINDING	ZC204-4		Date	<u>5/2/2018</u>