

# PRODUCT INFORMATION PACKET



Model No: M6K17FB18J

Catalog No: 111330.00

..1 1/2HP..1725RPM.56H.TEFC.115/208-230V.1PH.60HZ.CONT.40C.1SF.RIGID.P6K17FB18H.....AG -  
GRAIN STIRRING.MANUAL.....

Grain Stirring



Regal and Leeson are trademarks of Regal Beloit Corporation or one of its affiliated companies.

©2018 Regal Beloit Corporation, All Rights Reserved. MC017097E



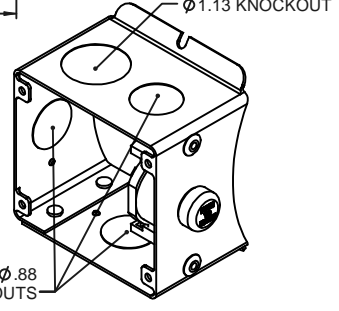
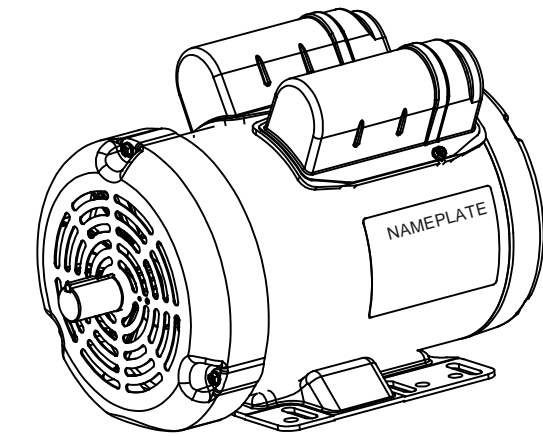
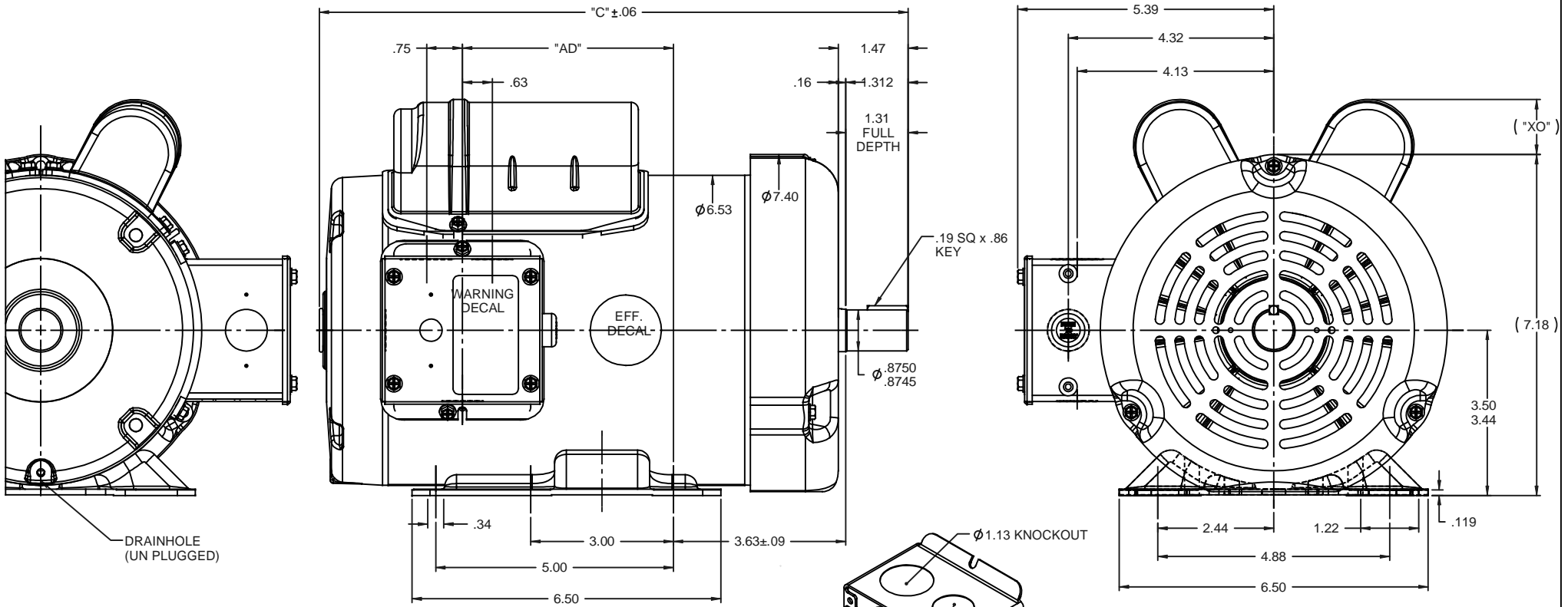


### Nameplate Specifications

Output HP	1.50 Hp	Output KW	1.1 kW
Frequency	60 Hz	Voltage	115/208-230 V
Current	17.2/8.8-8.6 A	Speed	1725 rpm
Service Factor	1	Phase	1
Efficiency	79 %	Duty	Continuous
Insulation Class	B	Design Code	L
KVA Code	J	Frame	56HZ
Enclosure	Totally Enclosed Fan Cooled	Overload Protector	Manual
Ambient Temperature	40 °C	Drive End Bearing Size	6205
Opp Drive End Bearing Size	6203	UL	Recognized
CSA	Y	CE	N
IP Code	43		

### Technical Specifications

Electrical Type	Capacitor Start Capacitor Run	Starting Method	Across The Line
Poles	4	Rotation	Selective Counterclockwise
Mounting	Rigid base	Motor Orientation	HORIZONTAL
Drive End Bearing	BALL	Opp Drive End Bearing	BALL
Frame Material	Rolled Steel	Shaft Type	Single Special Extension
Overall Length	12.39 in	Frame Length	7.50 in
Shaft Diameter	0.875 in	Shaft Extension	1.31 in
Assembly/Box Mounting	F1 ONLY		
Outline Drawing	028788-750B	Connection Diagram	005053.02

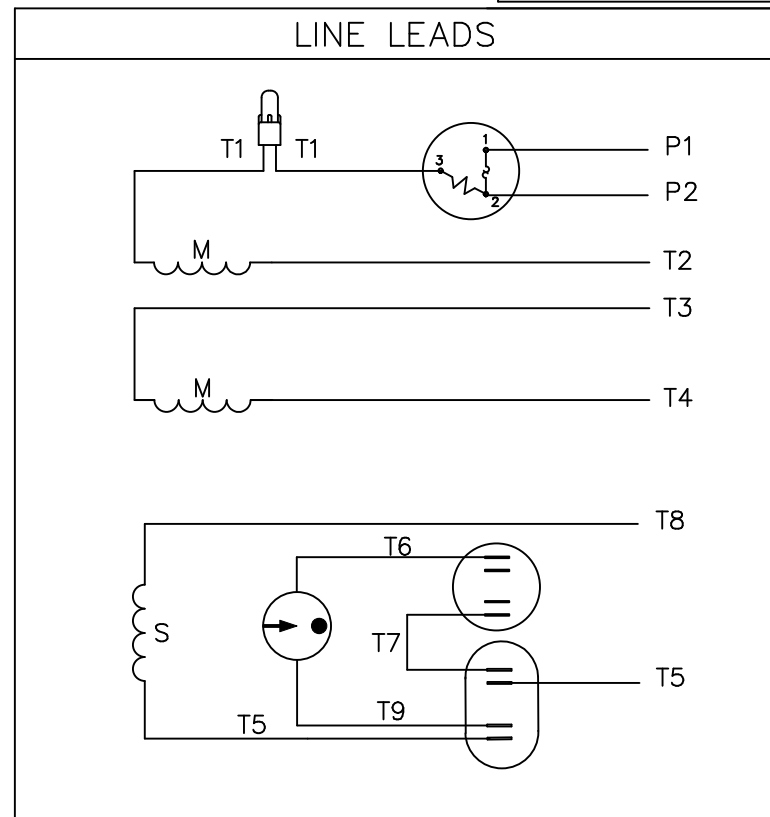
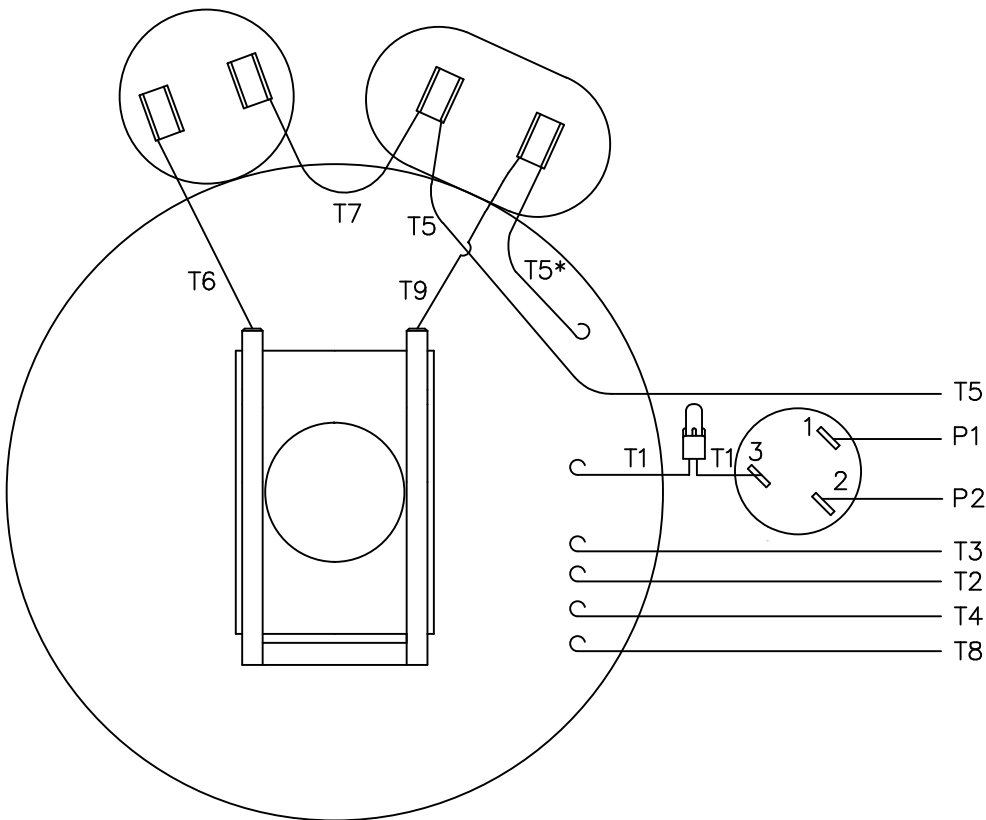


DASH NO.	"C"	"AD"	CAP DASH	"XO"
700	11.89	3.94	A	0.71
750	12.39	4.44	B	1.16
800	12.89	4.94	C	1.38
850	13.39	5.44		

NOTE:  
 1) DRAIN HOLE IN LEAD END ENDBELL  
 2) GASKETS THROUGHOUT

TOLERANCES UNLESS SPECIFIED		LEESON ELECTRIC MOTORS GEARMOTORS AND DRIVES		DRAWN
DEC	INCHES			JJK 08/28/07
x	±.1			CHK
.xx	±.03	TITLE OUTLINE - 56H FRAME		APPR
.xxx	±.005	TEFC - RIGID		SCALE 1:2
.xxxx	±.0005	MATL		REF OL111330.00
NO	REVISION	BY & DATE	CHK ANG ±1/2°	FINISH
			RFP	PREV
	THIRD ANGLE PROJECTION		NETWORK FILE NAME 028788	SIZE B
				DRAWING NO 028788
				PAGE OF
				REV 02

VIEW FROM OUTSIDE OF MOTOR AT SWITCH END.



	ROTATION FACING LEAD END	L1	L2	JOIN	INSULATE SEPARATELY
HIGH VOLT	C.C.W.	P1	T4 T5	T2,T3 T8	P2
	C.W.	P1	T4 T8	T2,T3 T5	P2
LOW VOLT	C.C.W.	P1	T2,T4 T5	P2,T3 T8	-----
	C.W.	P1	T2,T4 T8	P2,T3 T5	-----

\* THIS LEAD MAY BE WHITE

		TOLERANCES UNLESS SPECIFIED	
		DEC.	INCHES
		.X	±.1
		.XX	±.01
04	ADDED "*" TO T5	RLW 7/22/02	.XXX ±.005
03	REDRAWN ON CAD	DBT 05/27/97	.XXXX ±.0005
NO.	REVISION	BY & DATE	CHK ANG ±1/2"

**REGAL-BELOIT Motor Technologies Group**

TITLE: EXTERNAL WIRING DIAGRAM  
TYPE "K" W/PROTECTOR

DRAWN	ADH 06/16/76
CHK	WRK 06/30/76
APPD	
SCALE	1=1
REF	
FMF	6K17FB8A
PREV	

RFP	CAD FILE	00505302	SIZE	DRAWING NO.	REV.
DIST			A	005053-02	04