

# PRODUCT INFORMATION PACKET



Model No: C6C34NB19H

Catalog No: 111949.00

1.5HP..3450RPM.56.TENV.115/208-230V.1PH.60HZ.AIROVER.NOT.40C.1.0SF.RIGID.AG - FAN &  
BLOWER.C6C34NB19H

Agricultural



Regal and Leeson are trademarks of Regal Beloit Corporation or one of its affiliated companies.

©2018 Regal Beloit Corporation, All Rights Reserved. MC017097E





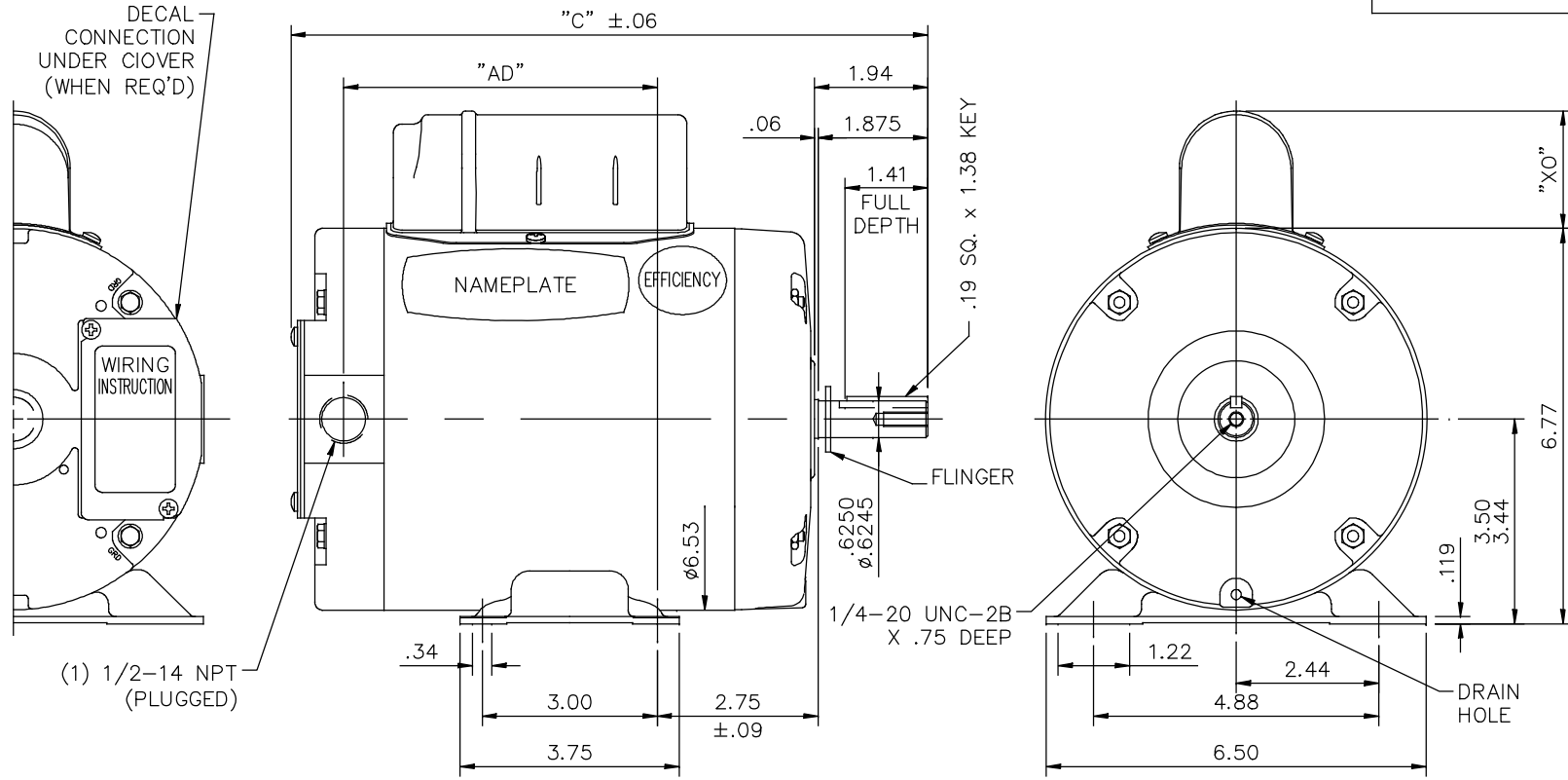
### Nameplate Specifications

Output HP	1.50 Hp	Output KW	1.1 kW
Frequency	60 Hz	Voltage	115/208-230 V
Current	17.0/9.0-8.5 A	Speed	3450 rpm
Service Factor	1	Phase	1
Efficiency	72 %	Duty	Continuous
Insulation Class	B	Design Code	L
KVA Code	H	Frame	56Z
Enclosure	Totally Enclosed Air Over	Overload Protector	No
Ambient Temperature	40 °C	Drive End Bearing Size	6203
Opp Drive End Bearing Size	6203	UL	Recognized
CSA	Y	CE	N
IP Code	43		

### Technical Specifications

Electrical Type	Capacitor Start Induction Run	Starting Method	Across The Line
Poles	2	Rotation	Selective Counterclockwise
Mounting	Rigid base	Motor Orientation	HORIZONTAL
Drive End Bearing	BALL	Opp Drive End Bearing	BALL
Frame Material	Rolled Steel	Shaft Type	Single Special Extension
Overall Length	11.40 in	Frame Length	6.50 in
Shaft Diameter	0.625 in	Shaft Extension	1.87 in
Assembly/Box Mounting	F1 ONLY		
Outline Drawing	028597-650B	Connection Diagram	005005.52

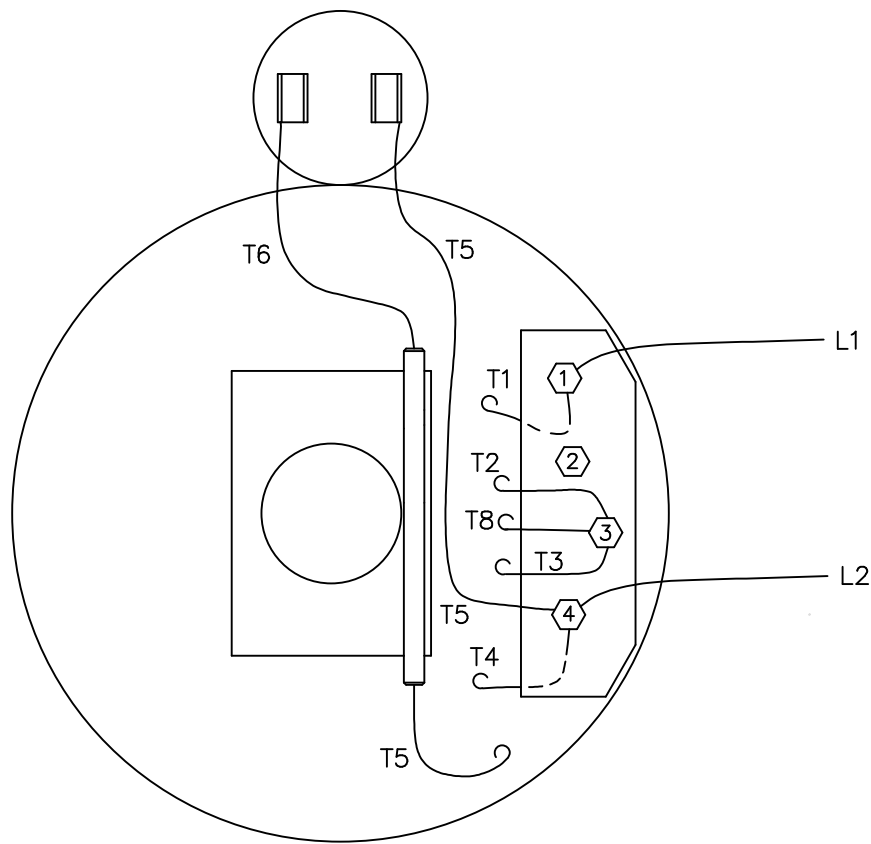
028597



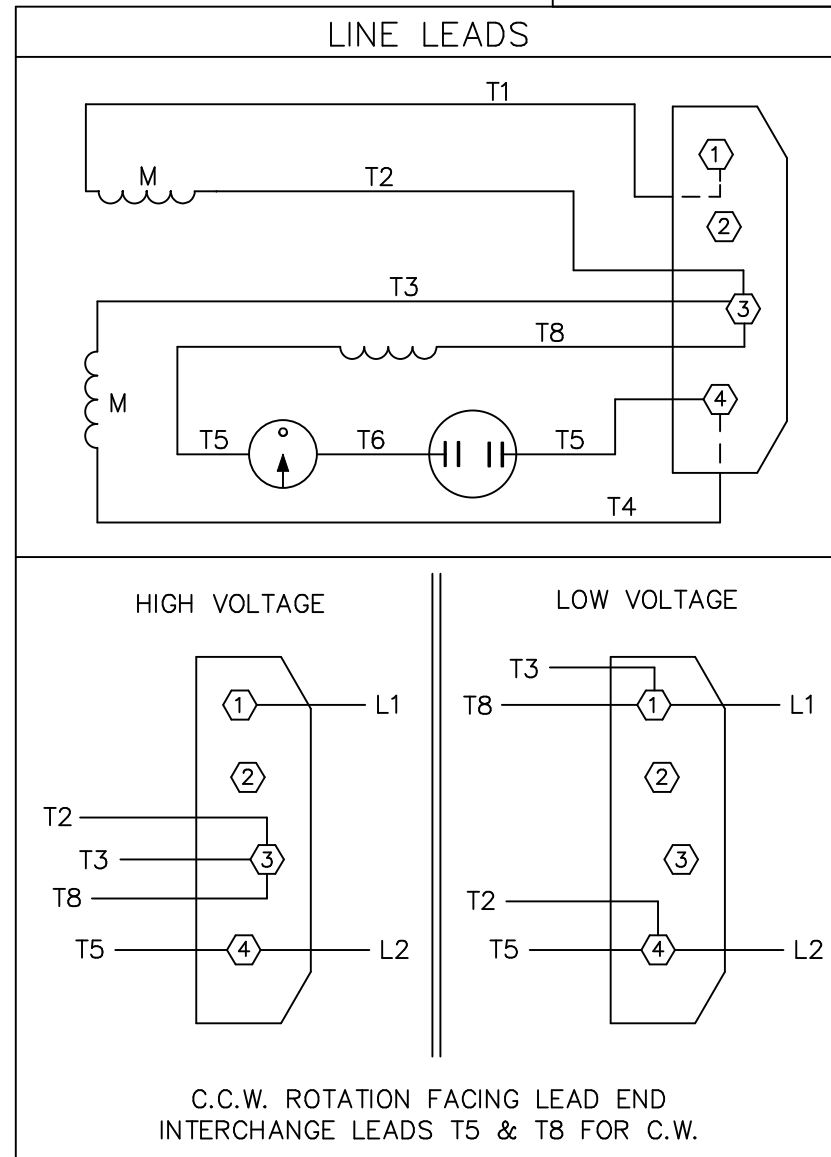
DASH NO.	"C"	"AD"	CAP. DASH	"XO"
500	9.90	4.37	A	1.54
550	10.40	4.87	B	2.01
600	10.90	5.37	C	2.25
650	11.40	5.87		

GASKETS THROUGHOUT

NO.		REVISION	BY & DATE	CHK	ANG	TOLERANCES UNLESS SPECIFIED	REGAL™ Regal Beloit America, Inc.		DRAWN	RDW 6/28/04			
						DEC.	TITLE		CHK				
						.X	OUTLINE - 56Z FRAME		APPD	SW 6/28/04			
						.XX	TENV - RIGID		SCALE	3=8			
						.XXX	MAT'L.		REF				
A		ADDED FLINGER	DS 06/12/18	AS	.XXXX	±.0005	FAN DUTY		FMF				
						±1/2'	FINISH		PREV				
THIS DRAWING IN DESIGN AND DETAIL IS OUR PROPERTY AND MUST NOT BE USED EXCEPT IN CONNECTION WITH OUR WORK ALL RIGHTS OF DESIGN AND INVENTION ARE RESERVED THIS IS AN ELECTRONICALLY GENERATED DOCUMENT - DO NOT SCALE THIS PRINT							RFP	6/28/04	CAD FILE	028597	SIZE	DRAWING NO.	REV.
							DIST	BRF-NLV			A	028597	A



VIEW FROM OUTSIDE OF MOTOR AT SWITCH END.



C.C.W. ROTATION FACING LEAD END  
INTERCHANGE LEADS T5 & T8 FOR C.W.

		TOLERANCES UNLESS SPECIFIED		ELECTRIC MOTORS GEARMOTORS AND DRIVES		DRAWN PG 9/14/05	
		DEC.	INCHES	<div style="border: 2px solid black; padding: 5px; display: inline-block;"><b>LEESON</b></div> ELECTRIC MOTORS GEARMOTORS AND DRIVES		CHK	
		.X	±.1			APPD	
		.XX	±.01			SCALE 1=1	
		.XXX	±.005			REF 005005-24	
		.XXXX	±.0005			FMF 115950.00	
NO.	REVISION	BY & DATE	CHK	ANG	±1/2'	FINISH	PREV
						TITLE	EXTERNAL WIRING DIAGRAM TYPE "C" W/O PROTECTOR
						MAT'L.	DECAL 081209-01
						FINISH	STANDARD
			RFP			CAD FILE	00500552
			DIST			SIZE	A
						DRAWING NO.	005005-52
						REV.	

THIS DRAWING IN DESIGN AND DETAIL IS OUR PROPERTY AND MUST NOT BE USED EXCEPT IN CONNECTION WITH OUR WORK ALL RIGHTS OF DESIGN AND INVENTION ARE RESERVED THIS IS AN ELECTRONICALLY GENERATED DOCUMENT - DO NOT SCALE THIS PRINT



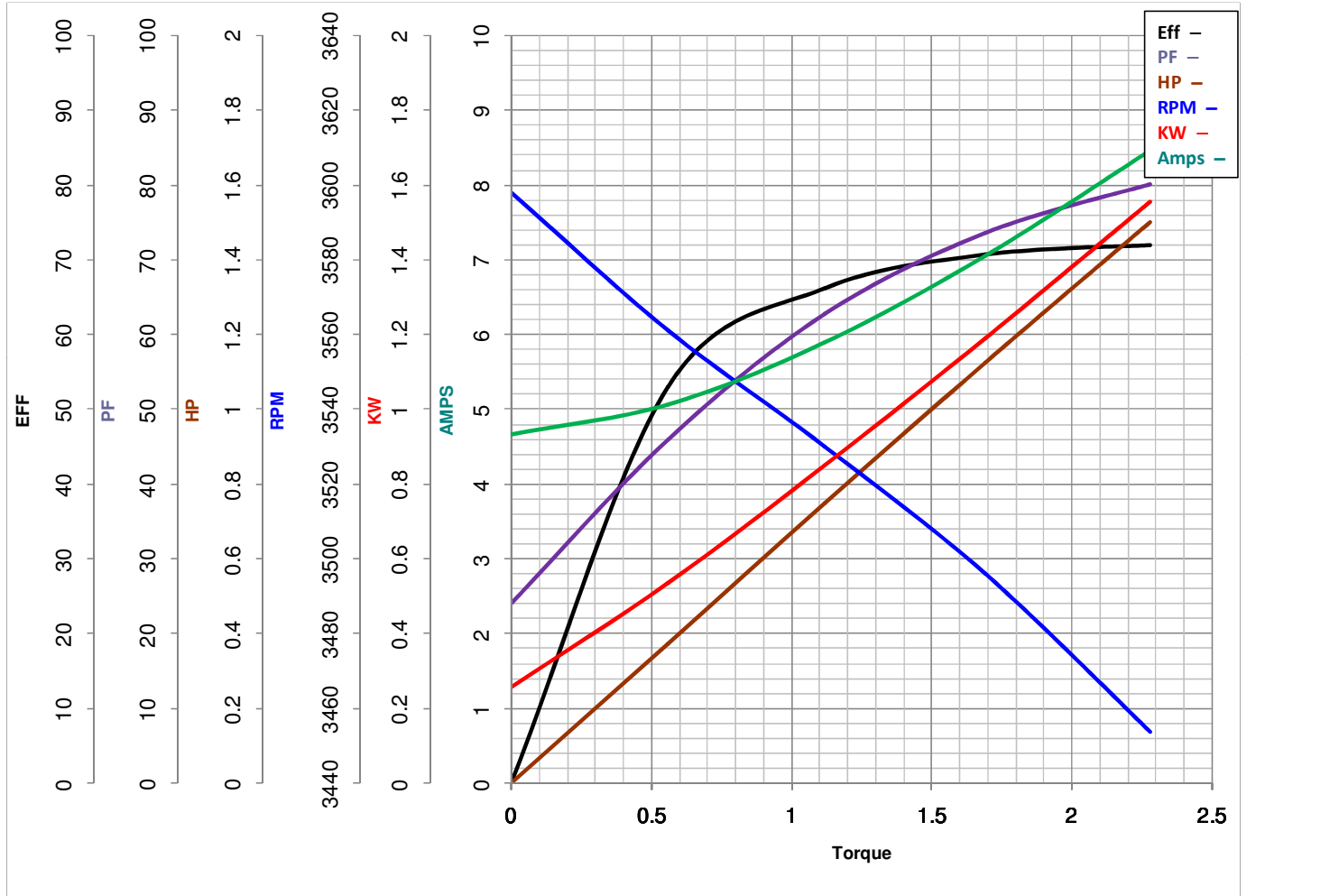
**LEESON ELECTRIC CORPORATION**  
 TYPICAL PERFORMANCE CURVE for AC MOTOR

Model No 111949.00

Catalog No 111949.00

Curve at 230 Volts      HP 1.50      PHASE 1  
60 HZ  
1.5 HP      VOLTS 115/208-230

HZ 60      RPM 3450



<b>FL TORQUE</b>	<u>2.28</u>	Lb.Ft	<b>FL AMPS</b>	<u>17/9-8.5</u>
<b>BD TORQUE</b>	<u>5.6</u>	Lb.Ft	<b>PU TORQUE</b>	<u>5.3</u> Lb.Ft
<b>LR TORQUE</b>	<u>5.5</u>	Lb.Ft	<b>LR AMPS</b>	<u>46</u>
<b>WINDING</b>	C632212-3		<b>Date</b>	<u>4/12/2018</u>