

PRODUCT INFORMATION PACKET



Model No: M6C17FC59L

Catalog No: 113290.00

1/3HP..1725RPM.56.TEFC./V.1PH.60HZ.CONT.MANUAL.40C.1.15SF.C FACE.AG - FARM
DUTY/GENERAL PURPOSE.M6C17FC59L

Agricultural



Regal and Leeson are trademarks of Regal Beloit Corporation or one of its affiliated companies.

©2018 Regal Beloit Corporation, All Rights Reserved. MC017097E



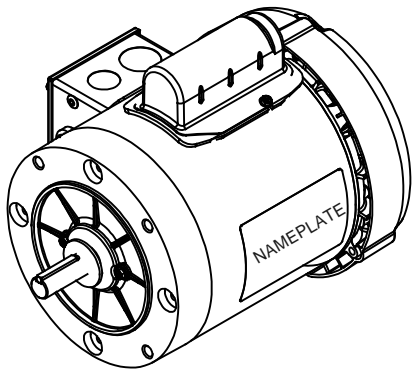
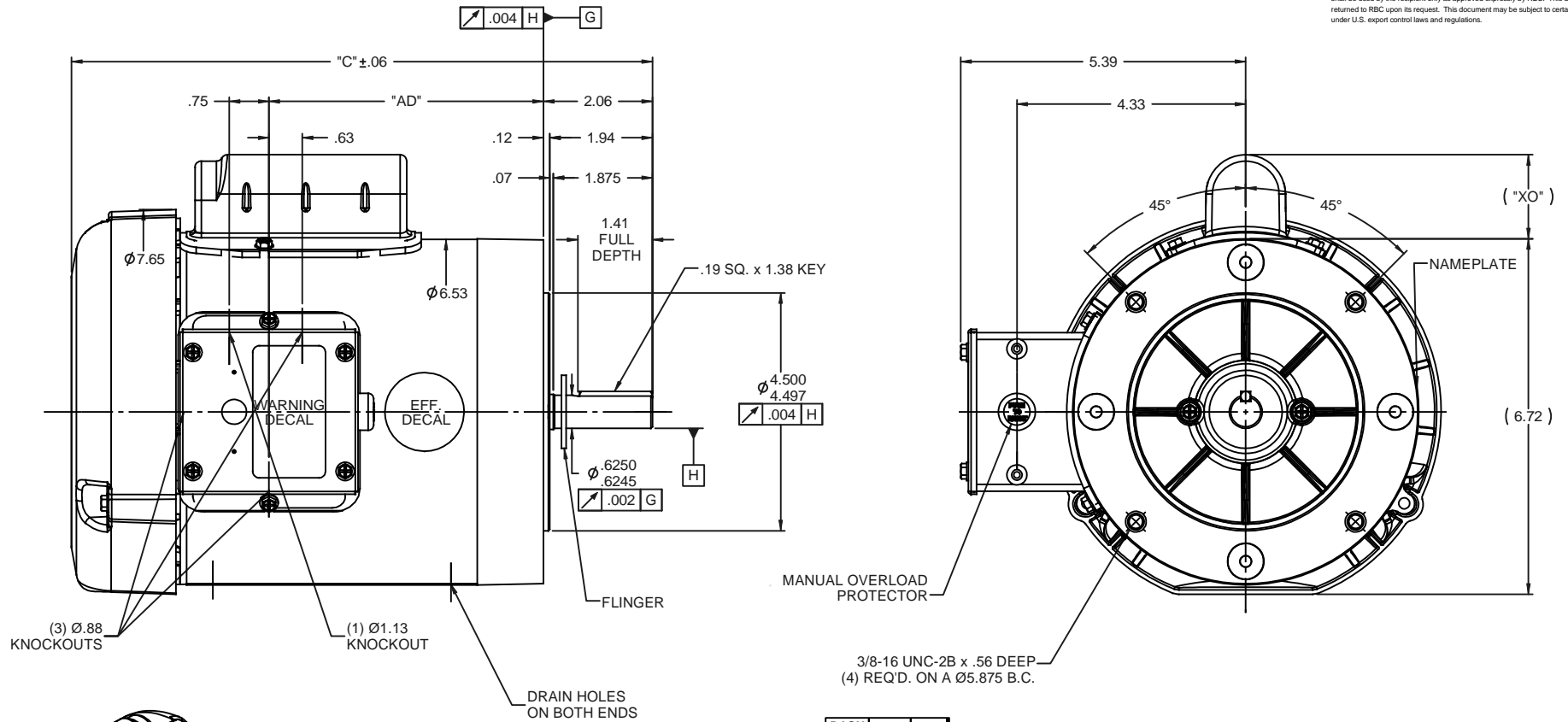


Nameplate Specifications

Output HP	0.33 Hp	Output KW	0.25 kW
Frequency	60 Hz	Voltage	115/208-230 V
Current	6.4/3.2 A	Speed	1725 rpm
Service Factor	1.15	Phase	1
Efficiency	62 %	Duty	Continuous
Insulation Class	B	Design Code	N
KVA Code	M	Frame	56C
Enclosure	Totally Enclosed Fan Cooled	Overload Protector	Manual
Ambient Temperature	40 °C	Drive End Bearing Size	6203
Opp Drive End Bearing Size	6203	UL	Recognized
CSA	Y	CE	N
IP Code	43		

Technical Specifications

Electrical Type	Capacitor Start Induction Run	Starting Method	Across The Line
Poles	4	Rotation	Selective Counterclockwise
Mounting	Round	Motor Orientation	HORIZONTAL
Drive End Bearing	BALL	Opp Drive End Bearing	BALL
Frame Material	Rolled Steel	Shaft Type	T
Overall Length	10.98 in	Frame Length	5.50 in
Shaft Diameter	0.625 in	Shaft Extension	1.88 in
Assembly/Box Mounting	F1 ONLY		
Outline Drawing	028865-550A	Connection Diagram	005003.03



DASH NO.	"C"	"AD"	CAP DASH.	"XO"
550	10.98	5.19		
600	11.48	5.59		
650	11.98	6.19		
700	12.48	6.69	A	1.61
750	12.98	7.19	B	2.08
800	13.48	7.69	C	2.32
850	13.98	8.19		

NOTES:
 1) GASKETS THROUGHOUT

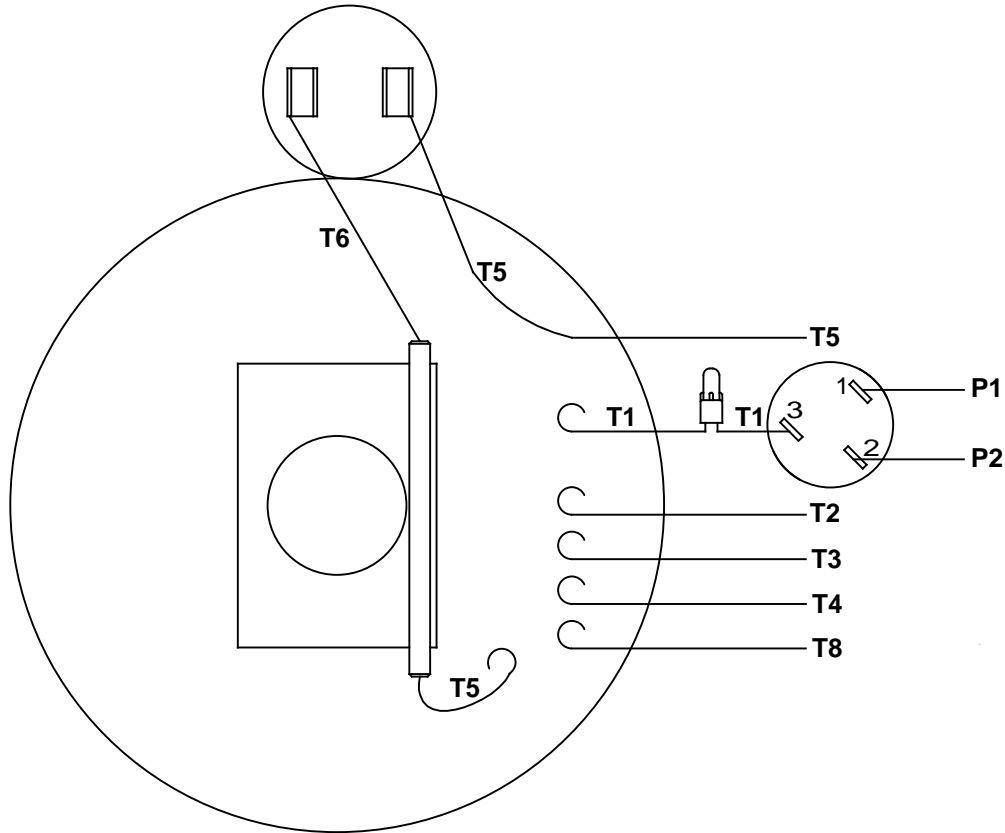
REVISION		BY & DATE	CHK	ANG	FINISH	SIZE	DRAWING NO	REV
01	ADDED "XO" TABLE	GRB 12/10/2008	DJ	xxx	±.0005			
				±1/2"		B	028865	01

LEESON ELECTRIC MOTORS GEARMOTORS AND DRIVES
 DRAWN GRB 08/18/2008
 CHK DJ 08/18/2008
 APPR

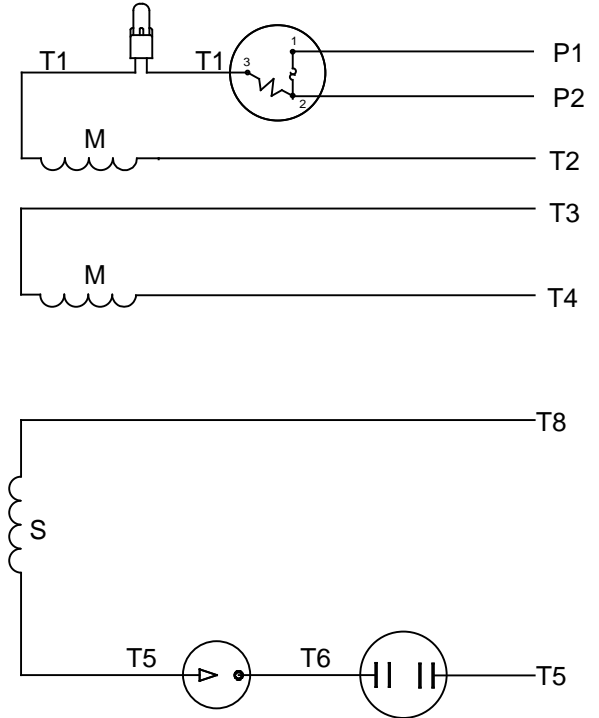
TOLERANCES UNLESS SPECIFIED:
 DEC INCHES
 x ±.1
 .xx ±.03
 .xxx ±.005
 .xxxx ±.0005
 TITLE OUTLINE - 56C FRAME
 TEFC - "C" FACE FARM DUTY
 REF 033641
 FMF 110492.00
 SCALE 1:2



VIEW FROM OUTSIDE OF MOTOR AT SWITCH END



LINE LEADS



RBC PROPRIETARY AND CONFIDENTIAL INFORMATION
 This document is the property of REGAL BELOIT CORPORATION ("RBC") including its subsidiaries and divisions and contains proprietary information of RBC. This document is loaned on the express condition that neither it nor the information contained therein shall be disclosed to others without the express written consent of RBC, and that the information shall be used by the recipient only as approved expressly by RBC. This document shall be returned to RBC upon its request. This document may be subject to certain restrictions under U.S. export control laws and regulations.

	ROTATION FACING LEAD END	L1	L2	JOIN	INSULATE SEPARATELY
HIGH VOLT	C.C.W.	P1	T4 T5	T2,T3 T8	P2
	C.W.	P1	T4 T8	T2,T3 T5	P2
LOW VOLT	C.C.W.	P1	T2,T4 T5	P2,T3 T8	---
	C.W.	P1	T2,T4 T8	P2,T3 T5	---

		TOLERANCES UNLESS SPECIFIED		LEESON	ELECTRIC MOTORS GEARMOTORS AND DRIVES	DRAWN WLV 08/20/79	
		DEC	INCHES			CHK	ADN 08/27/76
		.X	±.1			APPR	WRK 08/27/76
		.XX	±.01	TITLE EXTERNAL WIRING DIAGRAM TYPE "C" W/PROTECTOR		SCALE 1:1	
06	REDRAWN IN SOLIDWORKS	VJB	7/22/2011	.XXX	±.005	REF	
05	REDRAWN ON CAD	DBT	05/27/97	.XXXX	±.0005	FMF	
NO	REVISION	BY & DATE	CHK	ANG	±1/2°	FINISH	PAGE OF
THIRD ANGLE PROJECTION		RFP		PREV		SIZE	DRAWING NO
		NETWORK FILE NAME		00500303		A	005003-03
							06

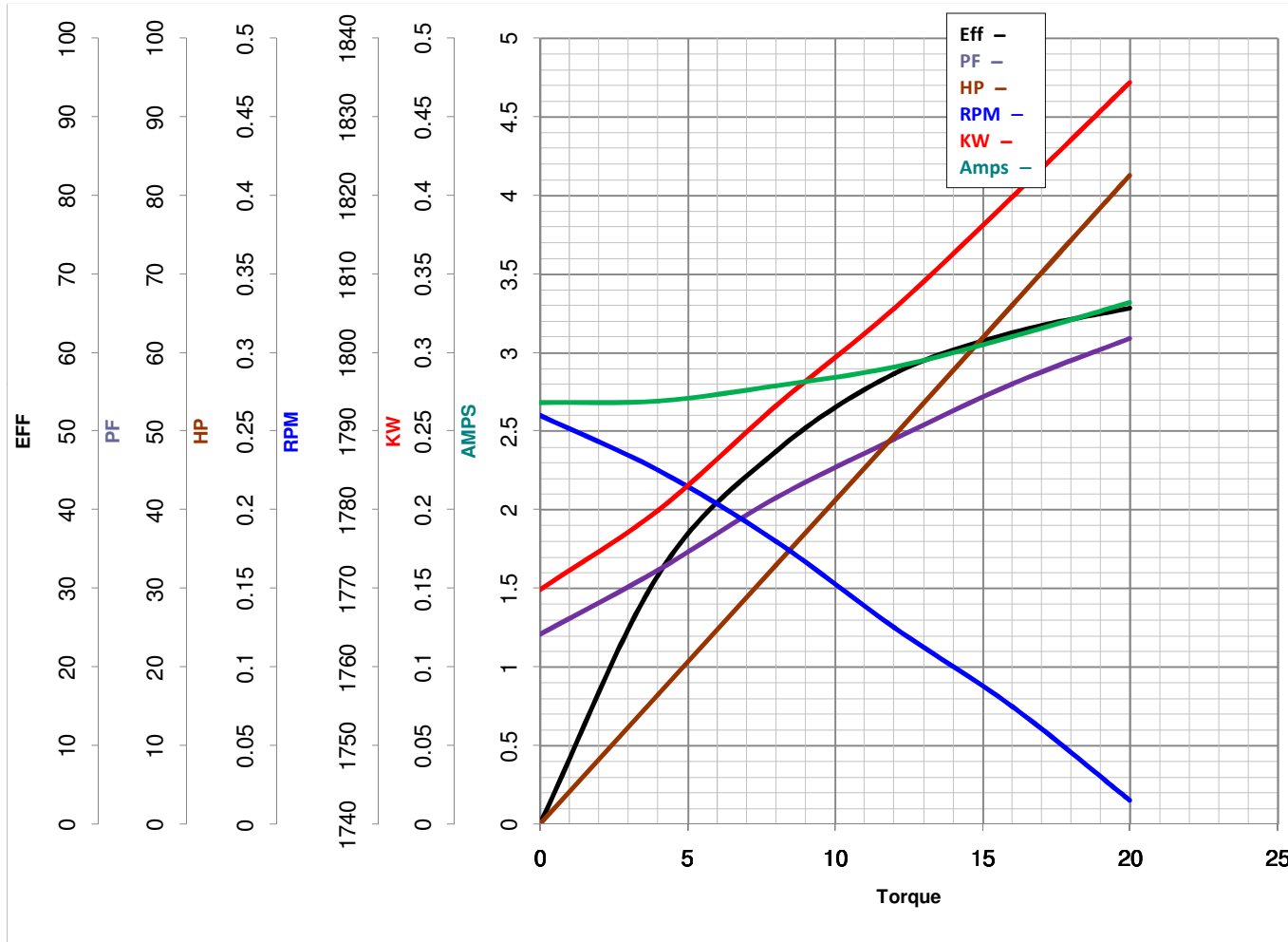


LEESON ELECTRIC CORPORATION
 TYPICAL PERFORMANCE CURVE for AC MOTOR

Model No 113290.00

Catalog No 113290.00

Curve at 230 Volts HP 0.34 PHASE 1
60 HZ
0.33 HP VOLTS 115/208-230
 HZ 60 RPM 1725



Torque in Oz.Ft

FL TORQUE 16 Oz.Ft
 BD TORQUE 49.6 Oz.Ft
 LR TORQUE 60.5 Oz.Ft

FL AMPS 6.4/3.2
 PU TORQUE 46.0 Oz.Ft
 LR AMPS 15.4

WINDING C634260-3

Date 3/23/2018