

# PRODUCT INFORMATION PACKET



Model No: C6C46DR5F

Catalog No: 113672.00

..3/4-1/3HP..1725/1140RPM.56H.DP.230V.1PH.60HZ.CONT.40C.1.15SF.RESIL.C6C46DR5F.....FAN & BLOWER.NOT.....

2 Speed



Regal and Leeson are trademarks of Regal Beloit Corporation or one of its affiliated companies.

©2018 Regal Beloit Corporation, All Rights Reserved. MC017097E



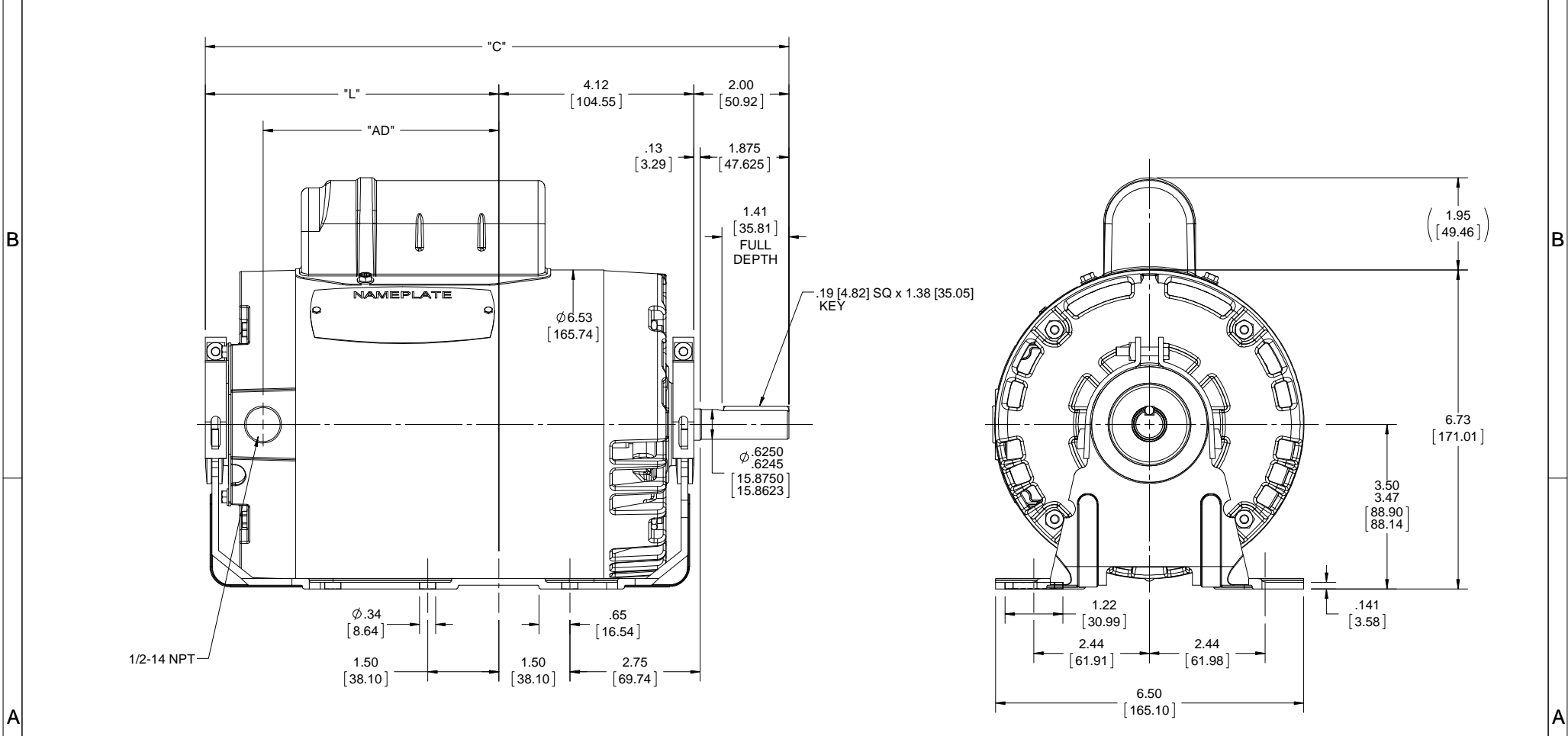


**Nameplate Specifications**

Output HP	<b>0.75,0.33 Hp</b>	Output KW	<b>0.56 kW</b>
Frequency	<b>60 Hz</b>	Voltage	<b>230 V</b>
Current	<b>5.8,3.5 A</b>	Speed	<b>1725,1140 rpm</b>
Service Factor	<b>1.15</b>	Phase	<b>1</b>
Efficiency	<b>65 %</b>	Duty	<b>Continuous</b>
Insulation Class	<b>B</b>	Design Code	<b>2VT</b>
KVA Code	<b>H</b>	Frame	<b>56H</b>
Enclosure	<b>Drip Proof</b>	Overload Protector	<b>No</b>
Ambient Temperature	<b>40 °C</b>	Drive End Bearing Size	<b>6203</b>
Opp Drive End Bearing Size	<b>6203</b>	UL	<b>Recognized</b>
CSA	<b>Y</b>	CE	<b>N</b>
IP Code	<b>22</b>		

**Technical Specifications**

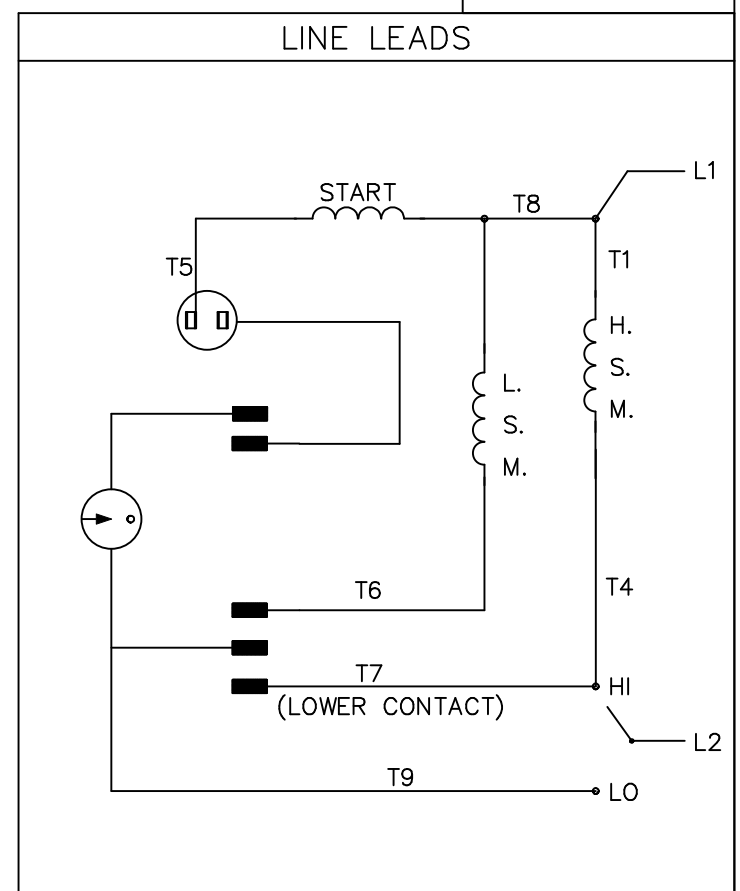
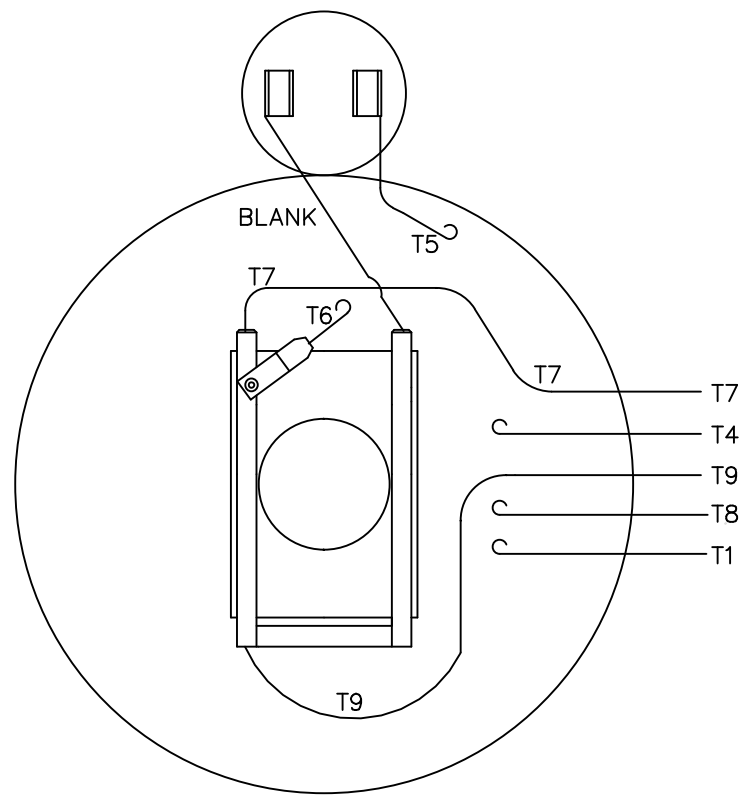
Electrical Type	<b>Capacitor Start Capacitor Run</b>	Starting Method	<b>Across The Line</b>
Poles	<b>4//6</b>	Rotation	<b>Selective Counterclockwise</b>
Mounting	<b>Resilient Base</b>	Motor Orientation	<b>HORIZONTAL</b>
Drive End Bearing	<b>BALL</b>	Opp Drive End Bearing	<b>BALL</b>
Frame Material	<b>Rolled Steel</b>	Shaft Type	<b>NEMA 56</b>
Overall Length	<b>13.31 in</b>	Frame Length	<b>7.00 in</b>
Shaft Diameter	<b>0.625 in</b>	Shaft Extension	<b>1.88 in</b>
Assembly/Box Mounting	<b>F1 ONLY</b>		
Outline Drawing	<b>029089-G56</b>	Connection Diagram	<b>005192.01</b>



FRAME	"C"	"L"	"AD"
F56	12.31 [312.67]	6.19 [157.22]	4.97 [126.23]
G56	12.81 [325.37]	6.69 [169.92]	5.47 [138.93]

DRAWING REVISION A	REVISION BY APPROVED BY	DATE	TOLERANCES UNLESS OTHERWISE SPECIFIED: DEC. INCH mm ANGLE -X +0.1 [+2.5] ±7°-30' .XX ±0.03 [+0.76] .XXX ±0.005 [+0.127] .XXXX ±0.0005 [+0.0127]	DRAWN BY H. ADIKE	Regal Beloit America, Inc.
ECO ECO-0136357	DATE	DATE	REMOVE BURRS & BREAK SHARP EDGES: .003/.015 [0.076/.381] X 45° CORNER FILLETS: R.02 [51]	DATE 2/15/2018	
ECO DESCRIPTION OUTLINE CONVERSION PROJECT COPYRIGHT REGAL BELOIT AMERICA, INC. ALL RIGHTS RESERVED. PROPRIETARY AND CONFIDENTIAL INFORMATION - THIS DOCUMENT IS THE PROPERTY OF REGAL BELOIT AMERICA, INC. (OWNER) AND CONTAINS OWNER'S PROPRIETARY INFORMATION. ANY PERSON, CORPORATION OR OTHER FIRM RECEIVING IT IS DEEMED, BY RECEIVING IT, TO AGREE THAT IT, AND/OR ANY PART OF IT, SHALL NOT BE DISCLOSED TO ANY PERSON, CORPORATION OR OTHER ENTITY, DUPLICATED, AND/OR USED, EXCEPT AS EXPRESSLY APPROVED IN WRITING IN ADVANCE BY OWNER. THIS DOCUMENT SHALL BE RETURNED TO OWNER UPON REQUEST. IT MAY BE SUBJECT TO CERTAIN RESTRICTIONS UNDER APPLICABLE EXPORT CONTROL LAWS AND REGULATIONS.			MACHINED SURFACES: 200 INCH mm 5.1	APPROVED BY PK	DESCRIPTION OUTLINE 56 FRAME. OPEN DRIP PROOF - RESIL. BASE
				DATE 5/23/2018	MATERIAL
				REFERENCE 032510	PROCESS/FINISH
				THIRD ANGLE PROJECTION	MATERIAL
				SIZE B	DRAWING NUMBER 029089
					SHEET 1 OF 1

VIEW FROM OUTSIDE OF MOTOR AT SWITCH END.



ROTATION FACING LEAD END	L1	L2	
		HI SPEED	LOW SPEED
C.C.W.	T1, T8	T4, T7	T9
C.W.	T4, T8	T1, T7	T9

TOLERANCES UNLESS OTHERWISE SPECIFIED	
DECIMALS	
.00	± .01
.000	± .005
.0000	± .0005
FRACTIONS	
	± 1/64

**LEESON** ELECTRIC CORPORATION

DRAWN PG 11/04/82	TITLE	EXTERNAL WIRING DIAGRAM
CH'K'D. DLL 11/04/82		TYPE "C" W/O PROTECTOR
APPR. TEM 11/04/82	MAT'L.	DECAL - 080092
SCALE 1=1	FINISH IND. BELTING	SIZE
REF. 005122	145C48DC11	A
FMF W-C-63(4-3)1	DRAWING NO.	005192-01

NO.	REVISION	BY	DATE
4	REDRAWN ON CAD	DBT	06/09/97

THIS DRAWING IN DESIGN AND DETAIL IS OUR PROPERTY AND MUST NOT BE USED EXCEPT IN CONNECTION WITH OUR WORK ALL RIGHTS OF DESIGN AND INVENTION ARE RESERVED



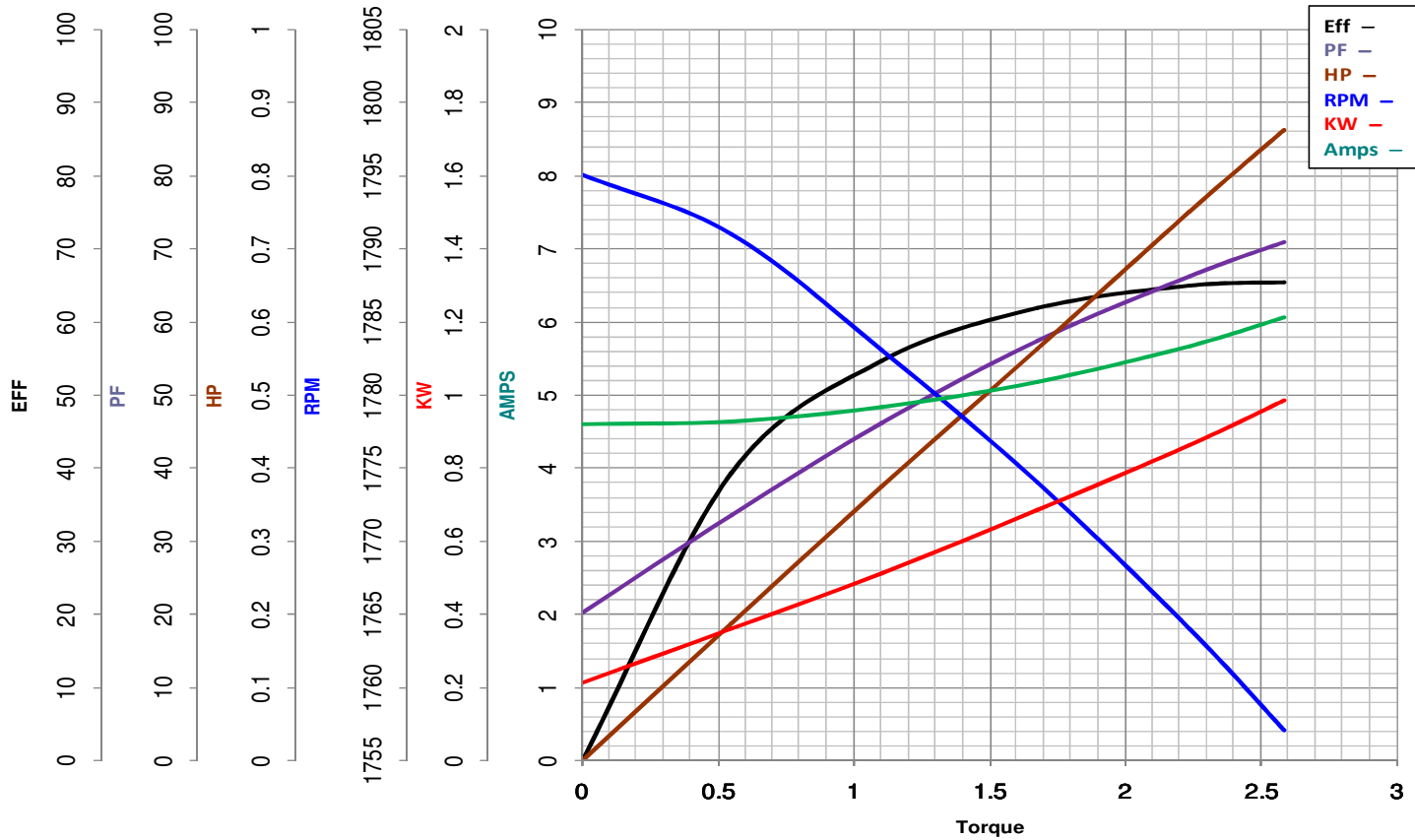
**LEESON ELECTRIC CORPORATION**  
 TYPICAL PERFORMANCE CURVE for AC MOTOR

Model No 113672.00

Catalog No 113672.00

Curve at 230 Volts      HP 0.75&0.33      PHASE 1  
60 HZ  
0.75 HP      VOLTS 230&230

HZ 60&60      RPM 1725&1140



Torque in Lb.Ft

FL TORQUE 2.234 Lb.Ft  
 BD TORQUE 5.7 Lb.Ft  
 LR TORQUE 5.27 Lb.Ft

FL AMPS 5.8  
 PU TORQUE 4.0 Lb.Ft  
 LR AMPS 29.9

WINDING C63(4-6)18-2

Date 7/17/2018