

PRODUCT INFORMATION PACKET



Model No: M6K17FB36G

Catalog No: 113768.00

..1HP..1725RPM.56.TEFC.115/208-230V.1PH.60HZ.CONT.40C.1.15SF.RIGID.M6K17FB36G.....AG - FARM
DUTY/GENERAL PURPOSE.MANUAL.....

Totally Enclosed Fan Cooled (TEFC)



Regal and Leeson are trademarks of Regal Beloit Corporation or one of its affiliated companies.

©2018 Regal Beloit Corporation, All Rights Reserved. MC017097E





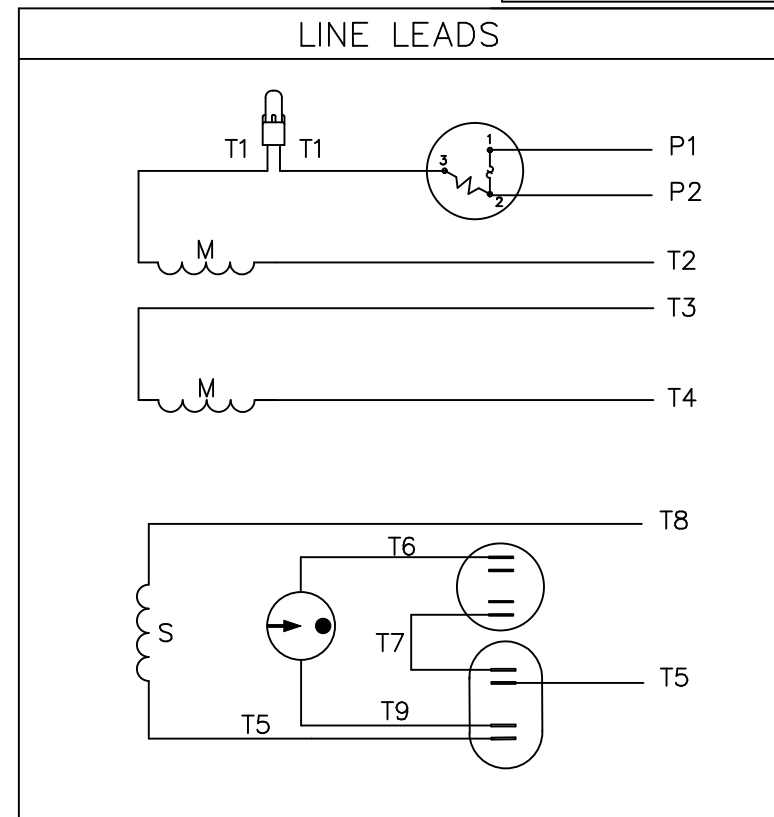
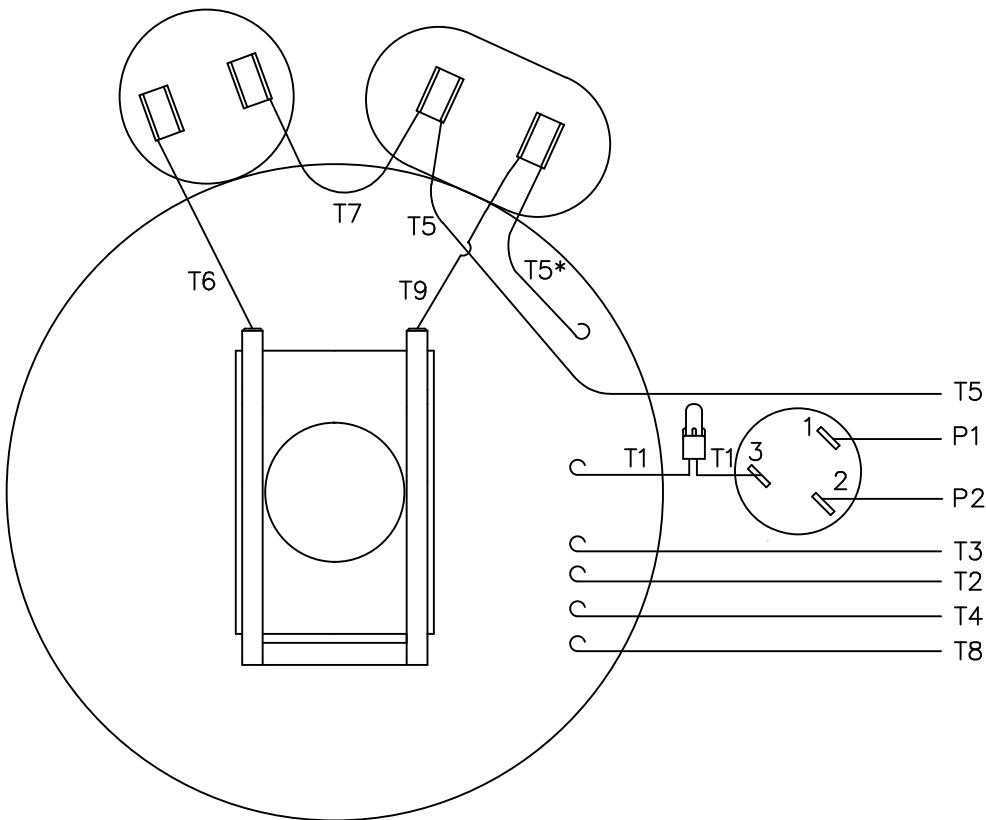
Nameplate Specifications

| | | | |
|----------------------------|------------------------------------|------------------------|----------------------|
| Output HP | 1 Hp | Output KW | 0.75 kW |
| Frequency | 60 Hz | Voltage | 115/208-230 V |
| Current | 8.4/4.3-4.2 A | Speed | 1725 rpm |
| Service Factor | 1.15 | Phase | 1 |
| Efficiency | 83 % | Duty | Continuous |
| Insulation Class | B | Design Code | L |
| KVA Code | J | Frame | 56 |
| Enclosure | Totally Enclosed Fan Cooled | Overload Protector | Manual |
| Ambient Temperature | 40 °C | Drive End Bearing Size | 6203 |
| Opp Drive End Bearing Size | 6203 | UL | Recognized |
| CSA | Y | CE | N |
| IP Code | 54 | | |

Technical Specifications

| | | | |
|-----------------------|--------------------------------------|-----------------------|-----------------------------------|
| Electrical Type | Capacitor Start Capacitor Run | Starting Method | Across The Line |
| Poles | 4 | Rotation | Selective Counterclockwise |
| Mounting | Rigid base | Motor Orientation | HORIZONTAL |
| Drive End Bearing | BALL | Opp Drive End Bearing | BALL |
| Frame Material | Rolled Steel | Shaft Type | NEMA 56 |
| Overall Length | 12.49 in | Frame Length | 7.00 in |
| Shaft Diameter | 0.625 in | Shaft Extension | 1.88 in |
| Assembly/Box Mounting | F1 ONLY | | |
| Outline Drawing | 028809-700B | Connection Diagram | 005053.02 |

VIEW FROM OUTSIDE OF MOTOR AT SWITCH END.



| | ROTATION FACING LEAD END | L1 | L2 | JOIN | INSULATE SEPARATELY |
|-----------|--------------------------|----|-------------|-------------|---------------------|
| HIGH VOLT | C.C.W. | P1 | T4 T5 | T2,T3 T8 | P2 |
| | C.W. | P1 | T4 T8 | T2,T3 T5 | P2 |
| LOW VOLT | C.C.W. | P1 | T2,T4 T5 | P2,T3 T8 | ----- |
| | C.W. | P1 | T2,T4 T8 | P2,T3 T5 | ----- |

* THIS LEAD MAY BE WHITE

| | | TOLERANCES UNLESS SPECIFIED | |
|-----|-----------------|-----------------------------|---------------|
| | | DEC. | INCHES |
| | | .X | ±.1 |
| | | .XX | ±.01 |
| 04 | ADDED "*" TO T5 | RLW 7/22/02 | .XXX ±.005 |
| 03 | REDRAWN ON CAD | DBT 05/27/97 | .XXXX ±.0005 |
| NO. | REVISION | BY & DATE | CHK ANG ±1/2" |

REGAL-BELOIT *Motor Technologies Group*

TITLE: EXTERNAL WIRING DIAGRAM
TYPE "K" W/PROTECTOR

| | |
|-------|--------------|
| DRAWN | ADH 06/16/76 |
| CHK | WRK 06/30/76 |
| APPD | |
| SCALE | 1=1 |
| REF | |
| FMF | 6K17FB8A |
| PREV | |

| | | | | | |
|------|----------|----------|------|-------------|------|
| RFP | CAD FILE | 00505302 | SIZE | DRAWING NO. | REV. |
| DIST | | | A | 005053-02 | 04 |



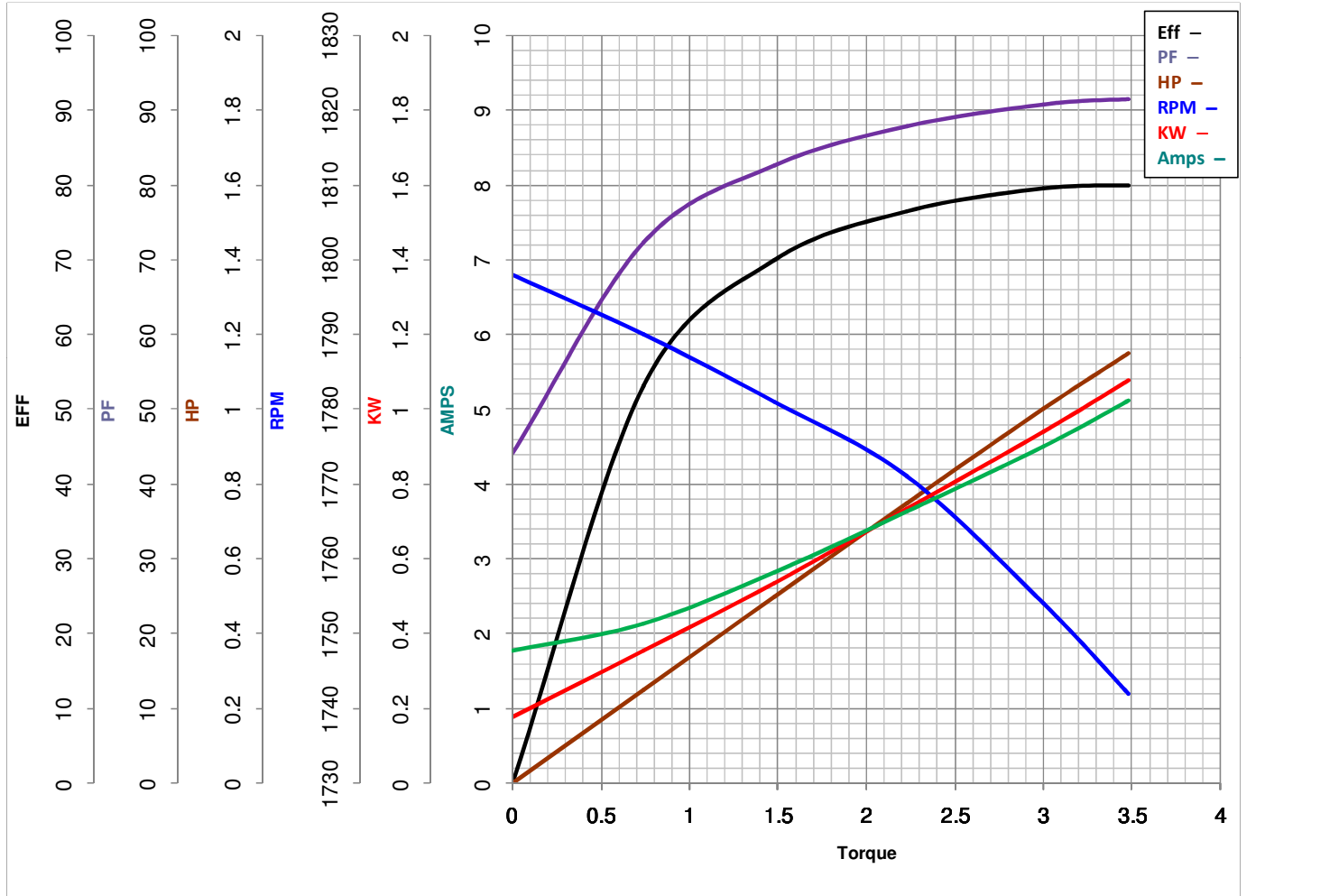
LEESON ELECTRIC CORPORATION
 TYPICAL PERFORMANCE CURVE for AC MOTOR

Model No 113768.00

Curve at 230 Volts HP 1.00 PHASE 1
60 HZ
1 HP VOLTS 115/208-230

Catalog No 113768.00

HZ 60 RPM 1725



Torque in Lb.Ft

FL TORQUE 3 Lb.Ft
 BD TORQUE 7.8 Lb.Ft
 LR TORQUE 9.36 Lb.Ft

FL AMPS 8.4/4.3-4.2
 PU TORQUE 6.7 Lb.Ft
 LR AMPS 33.4

WINDING K634338-3

Date 4/12/2018