

# PRODUCT INFORMATION PACKET



Model No: A6T34DR32C  
Catalog No: 113897.00  
2HP..3450RPM.56H.DP.230/460V.3PH.60HZ.CONT.40C.1.15SF.RESIL. AUTOMATIC.....  
Open Drip Proof (ODP)



Regal and Leeson are trademarks of Regal Beloit Corporation or one of its affiliated companies.  
©2018 Regal Beloit Corporation, All Rights Reserved. MC017097E





### Nameplate Specifications

Output HP	<b>2 Hp</b>	Output KW	<b>1.5 kW</b>
Frequency	<b>60 Hz</b>	Voltage	<b>208-230/460 V</b>
Current	<b>5.8-5.6/2.8 A</b>	Speed	<b>3450 rpm</b>
Service Factor	<b>1.15</b>	Phase	<b>3</b>
Efficiency	<b>82.5 %</b>	Duty	<b>Continuous</b>
Insulation Class	<b>B</b>	Design Code	<b>B</b>
KVA Code	<b>L</b>	Frame	<b>56H</b>
Enclosure	<b>Drip Proof</b>	Overload Protector	<b>Automatic</b>
Ambient Temperature	<b>40 °C</b>	Drive End Bearing Size	<b>6203</b>
Opp Drive End Bearing Size	<b>6203</b>	UL	<b>Recognized</b>
CSA	<b>Y</b>	CE	<b>N</b>
IP Code	<b>22</b>		

### Technical Specifications

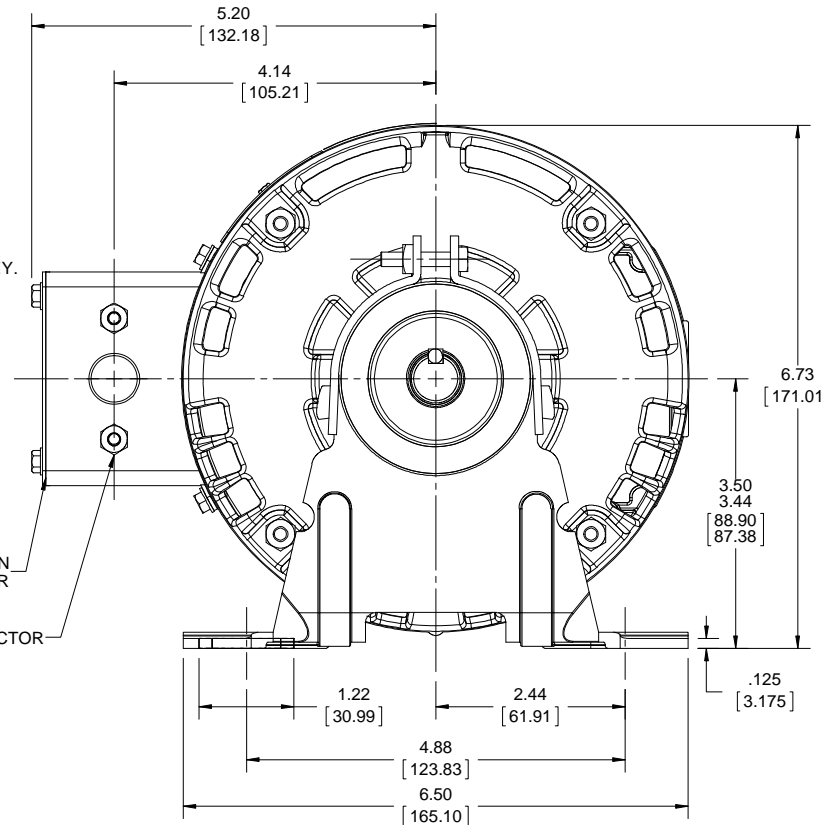
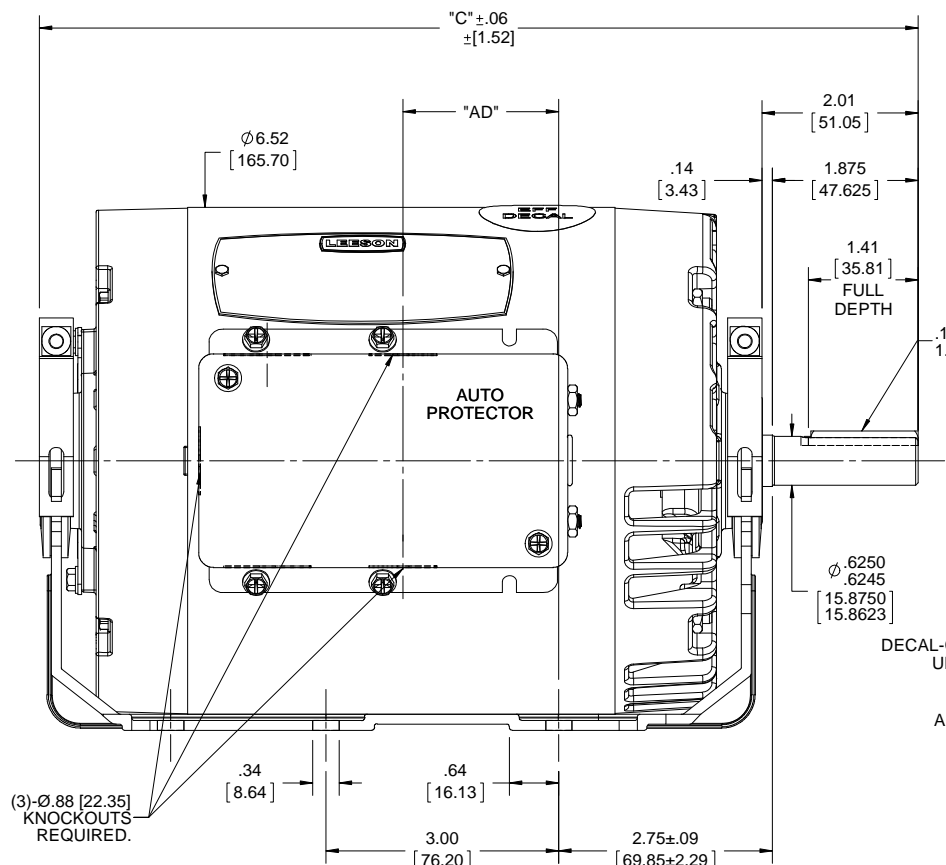
Electrical Type	<b>Squirrel Cage Induction Run</b>	Starting Method	<b>Across The Line</b>
Poles	<b>2</b>	Rotation	<b>Reversible</b>
Mounting	<b>Resilient Base</b>	Motor Orientation	<b>HORIZONTAL</b>
Drive End Bearing	<b>BALL</b>	Opp Drive End Bearing	<b>BALL</b>
Frame Material	<b>Rolled Steel</b>	Shaft Type	<b>NEMA 56</b>
Overall Length	<b>12.32 in</b>	Frame Length	<b>6.50 in</b>
Shaft Diameter	<b>0.625 in</b>	Shaft Extension	<b>1.88 in</b>
Assembly/Box Mounting	<b>F1 ONLY</b>		
Outline Drawing	<b>029080-650</b>	Connection Diagram	<b>005020.02</b>

B

B

A

A



DASH NO.	"C"	"AD"
550	11.32 [287.53]	2.00 [50.08]
650	12.32 [312.93]	3.00 [76.20]

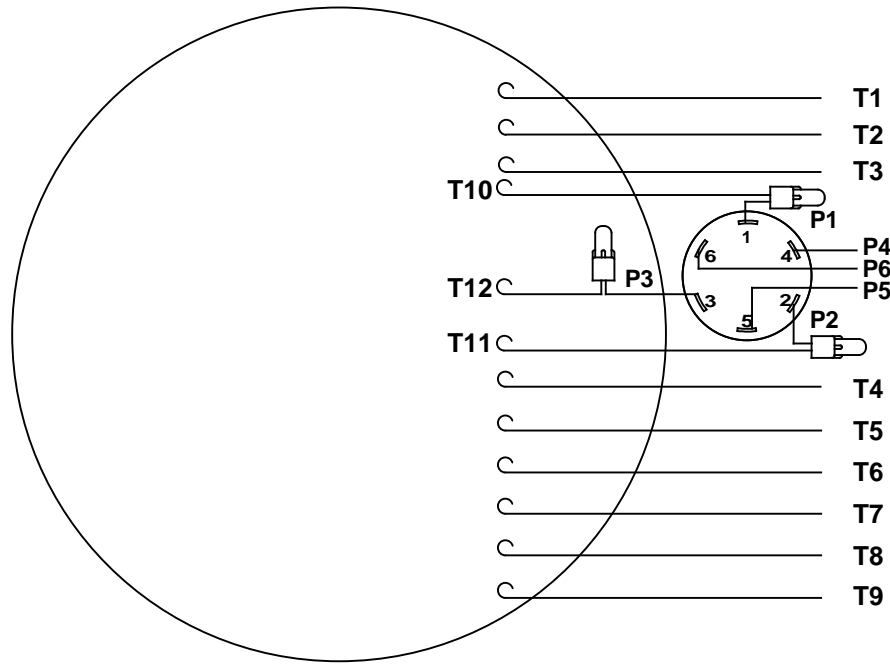
DRAWING REVISION	REVISION BY	DATE
A		
ECO-0140840	APPROVED BY	DATE
ECO DESCRIPTION		
OUTLINE COVERSION PROJECT		
<small>COPYRIGHT REGAL BELOIT AMERICA, INC. ALL RIGHTS RESERVED.            PROPRIETARY AND CONFIDENTIAL INFORMATION - THIS DOCUMENT IS THE PROPERTY OF            REGAL BELOIT AMERICA, INC. (OWNER) AND CONTAINS OWNER'S PROPRIETARY            INFORMATION. ANY PERSON, CORPORATION OR OTHER FIRM RECEIVING IT IS DEEMED,            BY RECEIVING IT, TO AGREE THAT IT, AND/OR ANY PART OF IT, SHALL NOT BE DISCLOSED            TO ANY PERSON, CORPORATION OR OTHER ENTITY, DUPLICATED, AND/OR USED, EXCEPT            AS EXPRESSLY APPROVED IN WRITING IN ADVANCE BY OWNER. THIS DOCUMENT SHALL            BE RETURNED TO OWNER UPON REQUEST. IT MAY BE SUBJECT TO CERTAIN            RESTRICTIONS UNDER APPLICABLE EXPORT CONTROL LAWS AND REGULATIONS.</small>		

TOLERANCES UNLESS OTHERWISE SPECIFIED:			
DEC.	INCH	mm	ANGLE
-X	+0.1	[+2.5]	±0.5°
.XX	+0.03	[+0.76]	
.XXX	+0.005	[+0.127]	
.XXXX	+0.0005	[+0.0127]	
REMOVE BURRS & BREAK SHARP			
EDGES: .003/.015 [0.076/.381] X 45°			
CORNER FILLETS: R.02 [51]			
MACHINED SURFACES: 125/3.2			
mm SHOWN IN [BRACKETS]			

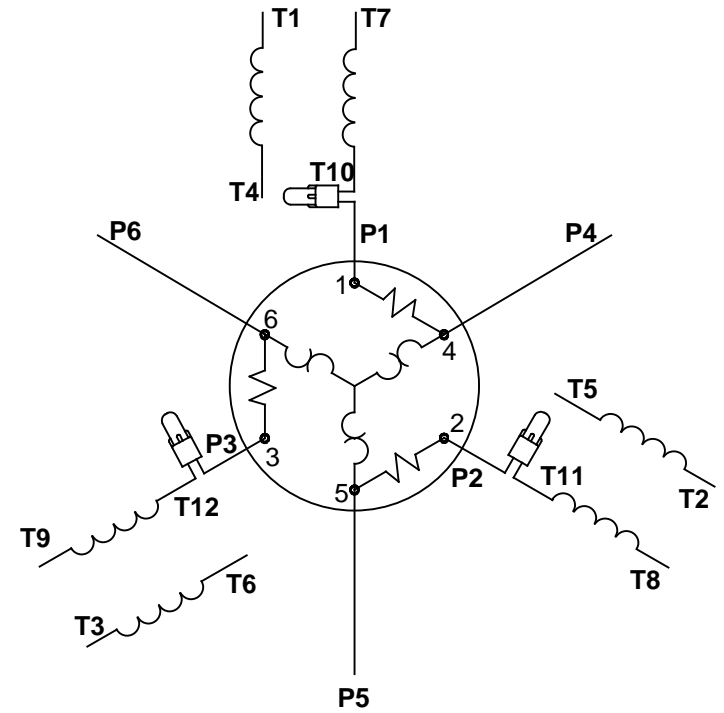
DRAWN BY	DATE
A SUPPANAVAR	01/22/2018
APPROVED BY	DATE
PK	03/08/2018
REFERENCE	028552
THIRD ANGLE PROJECTION	

REGAL™ Regal Beloit America, Inc.	
DESCRIPTION	
OUTLINE	
56 FRAME DRIP PROOF-RESILIENT BASE	
MATERIAL	PROCESS/FINISH
GENERAL PURPOSE	
SIZE	DRAWING NUMBER
B	029080
SHEET	
1 OF 1	

VIEW FROM OUTSIDE OF MOTOR AT SWITCH END.




LINE LEADS



RBC PROPRIETARY AND CONFIDENTIAL INFORMATION  
 This document is the property of REGAL BELOIT CORPORATION ("RBC") including its subsidiaries and divisions and contains proprietary information of RBC. This document is loaned on the express condition that neither it nor the information contained therein shall be disclosed to others without the express written consent of RBC, and that the information shall be used by the recipient only as approved expressly by RBC. This document shall be returned to RBC upon its request. This document may be subject to certain restrictions under U.S. export control laws and regulations.

VOLTAGE	L1	L2	L3	JOIN	SEPARATE
HIGH	T1	T2	T3	(T4,T7) (T5,T8) (T6,T9)	(P4) (P5) (P6)
LOW	T1,T7	T2,T8	T3,T9	(T4,P4) (T5,P5) (T6,P6)	

		TOLERANCES UNLESS SPECIFIED		 ELECTRIC MOTORS GEARMOTORS AND DRIVES	DRAWN	
		DEC	INCHES		CHK	
		.X	±.1		APPR	
		.XX	±.01		SCALE 1:1	
		.XXX	±.005	REF		
02	ADDED REV TO AGREE WITH ORACLE	ARV 4/26/2011	KH	.XXXX ±.0005	MAT'L DECAL - 004023-01	FMF
NO	REVISION	BY & DATE	CHK	ANG ±1/2°	FINISH	PAGE OF
THIRD ANGLE PROJECTION		RFP		PREV	SIZE	DRAWING NO
		NETWORK FILE NAME 00502002			A	005020-02
						REV 02



1051 CHEYENNE AVE.  
 GRAFTON, WI 53024  
 PH. 262-377-8810

CERTIFICATION DATA SHEET

CATALOG #: 113897.00

CONN. DIAGRAM: 005020.02

OUTLINE: 029080-650

MOUNTING: F1 ONLY

WINDING #: T632163 DR 5 C

TYPICAL MOTOR PERFORMANCE DATA

HP	KW	SYNC. RPM	F.L. RPM	FRAME	ENCLOSURE	KVA CODE	DESIGN
2&2	1.49&1.49	3600	3450&2850	56H	DP	L	B

PH	Hz	VOLTS	AMPS	START TYPE	DUTY	INSL	S.F.	AMB°C
3	60/50	208-230/460&8208-230/460	5.8-5.6/2.8&6.6/3.3	ACROSS THE LINE	CONTINUOUS	B4	1.15/1.15	40

<b>FULL LOAD EFF:</b>	82.5&82.5	<b>3/4 LOAD EFF:</b>	79.9	<b>1/2 LOAD EFF:</b>	76	<b>GTD. EFF</b>		<b>ELEC. TYPE</b>
<b>FULL LOAD PF:</b>	84&73.3	<b>3/4 LOAD PF:</b>	78.3	<b>1/2 LOAD PF:</b>	67.8	0		SQ CAGE IND RUN

F.L. TORQUE	LOCKED ROTOR AMPS	L.R. TORQUE	B.D. TORQUE	F.L. RISE°C
3.01 LB-FT	50 / 25	10 LB-FT 333 %	12.2 LB-FT 407 %	50

SOUND PRESSURE @ 3 FT.	SOUND POWER	ROTOR WK^2	MAX. WK^2	SAFE STALL TIME	STARTS / HOUR	APPROX. MOTOR WGT
0 DBA	10 DBA	0.06 LB-FT^2	0 LB-FT^2	0 SEC.	0	0 LBS.

\*\*\* SUPPLEMENTAL INFORMATION \*\*\*

DE BRACKET TYPE	ODE BRACKET TYPE	MOUNT TYPE	ORIENTATION	SEVERE DUTY	HAZARDOUS LOCATION	DRIP COVER	SCREENS	PAINT
STANDARD	STANDARD	RESILIENT BASE	HORIZONTAL	FALSE	NONE	FALSE	NONE	BLUE - LEESON (ENAMEL)

BEARINGS DE	GREASE ODE	SHAFT TYPE	SPECIAL DE	SPECIAL ODE	SHAFT MATERIAL	FRAME MATERIAL
BALL	BALL	POLYREX EM	STANDARD 56	NONE	1144 STRESSPROOF (C-223)	ROLLED STEEL
6203	6203					

THERMO-PROTECTORS				THERMISTORS			CONTROL		SPACE HEATERS	
THERMOSTATS	PROTECTORS	WDG RTDS	BRG RTDS							
NONE	AUTOMATIC	NONE	NONE	NONE	FALSE	NONE	NONE	NONE	NONE	VOLTS

\* INVERTER TORQUE: NONE  
 INV. HP SPEED RANGE: NONE

N ENCODER: NONE  
 NONE NONE  
 NONE NONE PPR

O BRAKE: NONE NONE  
 NONE P/N NONE  
 NONE NONE  
 E FT-LB NONE V NONE HZ



Motor Load Data

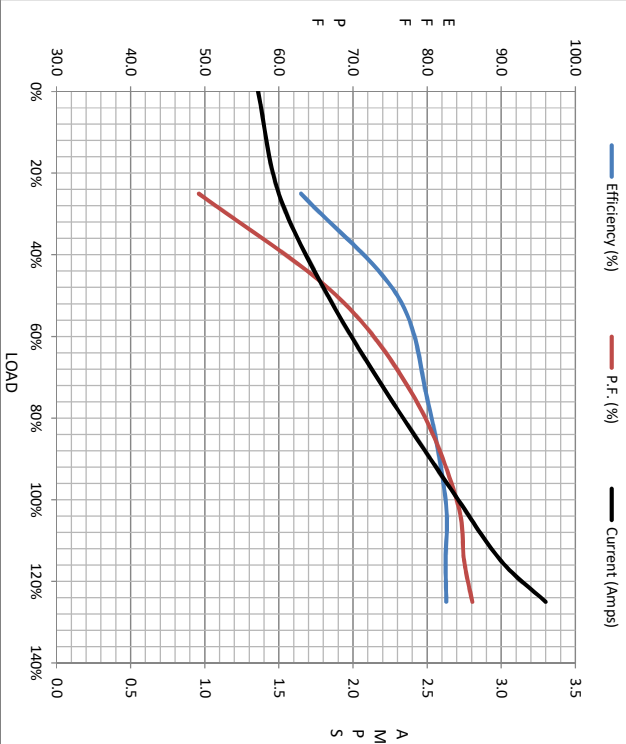
Load	0%	25%	50%	75%	100%	115%	125%	LR
Current (Amps)	1.36	1.50	1.83	2.25	2.71	3.0	3.3	25.0
Torque (ft-lb)	0.00	0.73	1.49	2.24	3.0	3.5	3.8	10.0
RPM	3600	3573	3550	3525	3499	3485	3471	0
Efficiency (%)		63.0	76.0	80.0	82.5	82.5	82.6	
P.F. (%)	13.8	49.2	67.8	78.3	84.0	85.0	86.1	0.0

Motor Speed Data

	LR	Pull-Up	BD	Rated	Idle
Speed (RPM)	0	400	2500	3499	3600
Current (Amps)	25.0	20.0	18.0	2.71	1.36
Torque (ft-lb)	10.0	9.8	12.2	3.0	0.00

Information Block

HP	2.0
Sync. RPM	3600
Frame	140
Enclosure	DP
Construction	NA
Voltage	08-230/460#208-230/46 V
Frequency	60 Hz
Design	A
LR Code letter	L
Service Factor	1.15
Temp Rise @ FL	50 °C
Duty	CONT
Ambient	40 °C
Elevation	1,000 feet
Rotor/Shaft wk²	0.06 Lb-Ft²
Ref Wdg	T632163 DR
Sound Pressure @ 1M	0 dBA
VFD Rating	NONE
Outline Dwg	028352-650
Conn. Diag	005020.02
Additional Specifications:	
0	
EQUIV CKT (OHMS / PHASE)	
R1	R2
0.0000	0.0000
X1	X2
0.0000	0.0000
Xm	
0.0000	



Speed -Torque Curve

