

PRODUCT INFORMATION PACKET



Model No: M6C14FB24H
Catalog No: 113910.00
..3/4HP..1425RPM.56.TEFC./V.1PH.50HZ.CONT.40C.1.0SF.RIGID.M6C14FB24H.....50
HERTZ.MANUAL.....55kW...
50 Hz



Regal and Leeson are trademarks of Regal Beloit Corporation or one of its affiliated companies.

©2018 Regal Beloit Corporation, All Rights Reserved. MC017097E





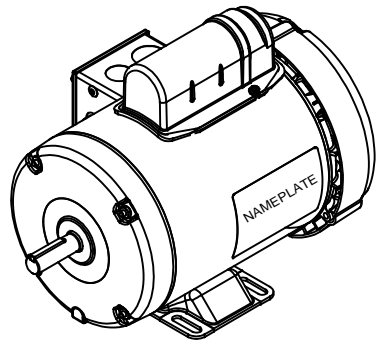
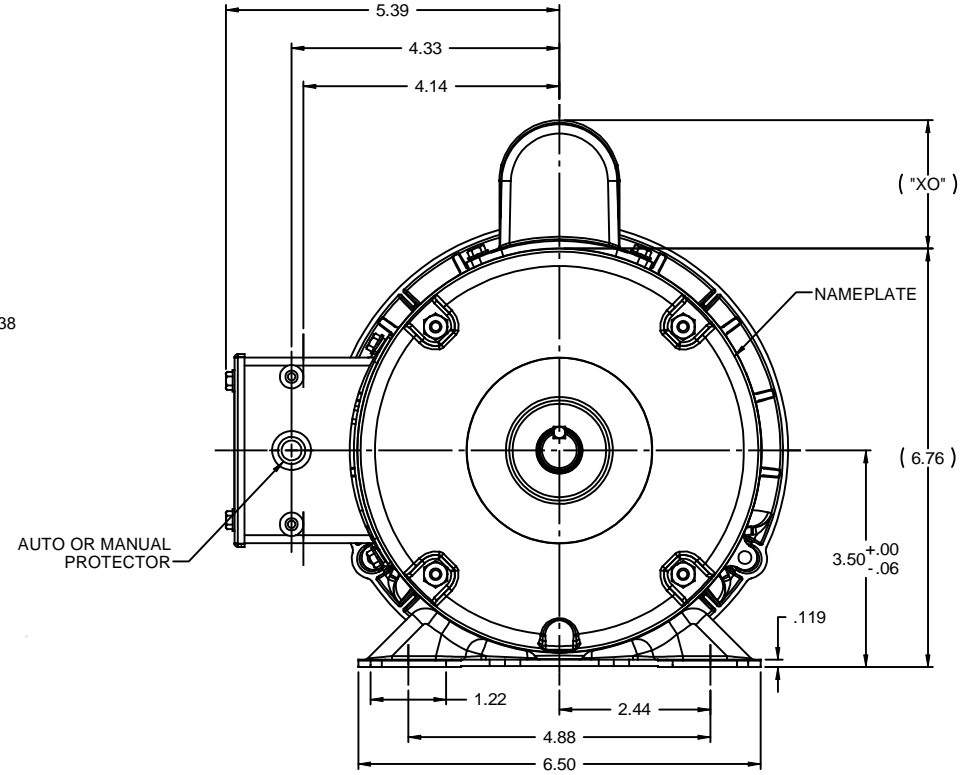
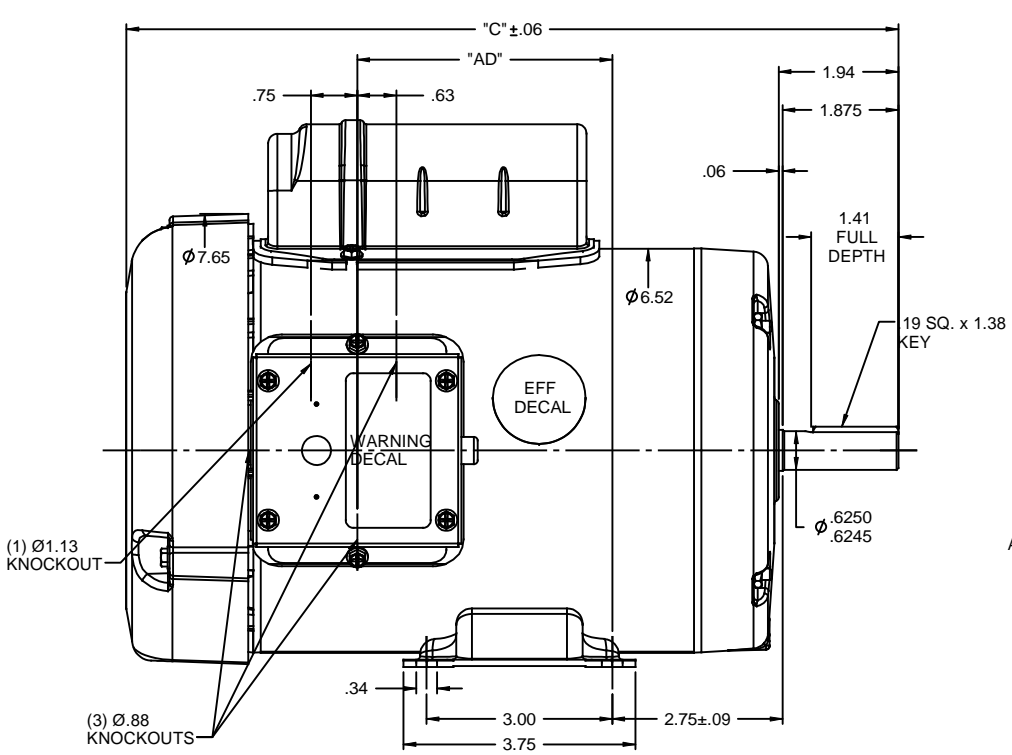
Nameplate Specifications

Output HP	0.75 Hp	Output KW	0.56 kW
Frequency	50 Hz	Voltage	110/220 V
Current	11.8/5.9 A	Speed	1425 rpm
Service Factor	1	Phase	1
Efficiency	68 %	Duty	Continuous
Insulation Class	F	Design Code	NO DESIGN CODE
KVA Code	J	Frame	56
Enclosure	Totally Enclosed Fan Cooled	Overload Protector	Manual
Ambient Temperature	40 °C	Drive End Bearing Size	6203
Opp Drive End Bearing Size	6203	UL	Recognized
CSA	Y	CE	Y
IP Code	54		

Technical Specifications


Electrical Type	Capacitor Start Induction Run	Starting Method	Across The Line
Poles	4	Rotation	Selective Counterclockwise
Mounting	Rigid base	Motor Orientation	HORIZONTAL
Drive End Bearing	BALL	Opp Drive End Bearing	BALL
Frame Material	Rolled Steel	Shaft Type	NEMA 56
Overall Length	11.48 in	Frame Length	6.00 in
Shaft Diameter	0.625 in	Shaft Extension	1.88 in
Assembly/Box Mounting	F1 ONLY		
Outline Drawing	028879-600B	Connection Diagram	005382.02

RBC PROPRIETARY AND CONFIDENTIAL INFORMATION
 This document is the property of REGAL BELOIT CORPORATION ("RBC") including its subsidiaries and divisions and contains proprietary information of RBC. This document is loaned on the express condition that neither it nor the information contained therein shall be disclosed to others without the express written consent of RBC, and that the information shall be used by the recipient only as approved expressly by RBC. This document shall be returned to RBC upon its request. This document may be subject to certain restrictions under U.S. export control laws and regulations.

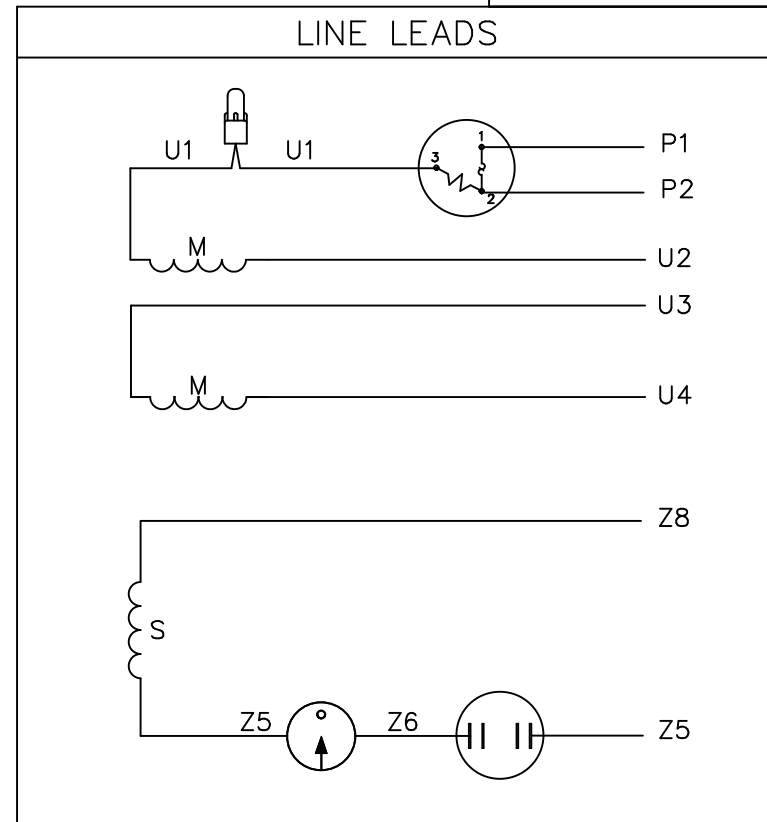
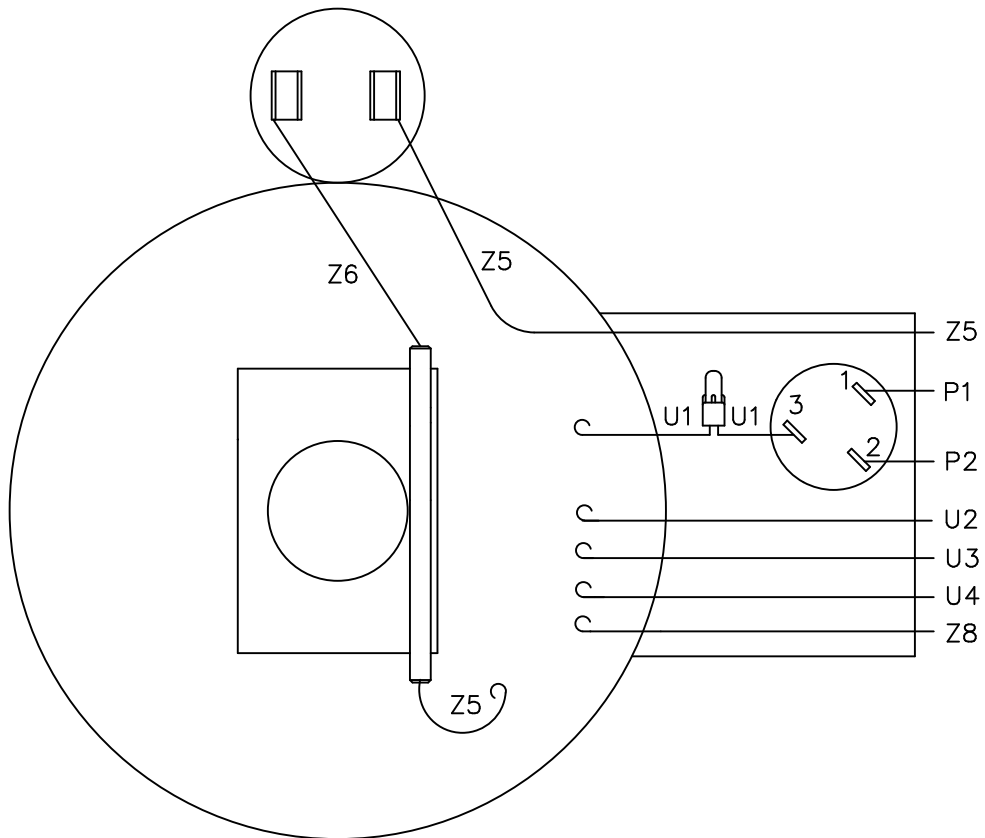


DASH NO.	"C"	"AD"	CAP DASH	"XO"
500	10.48	2.13	A	1.61
550	10.98	2.63	B	2.08
600	11.48	3.13	C	2.32
650	11.98	3.63		
700	12.48	4.13		

NOTES:
 1) GASKETS THROUGHOUT

		TOLERANCES UNLESS SPECIFIED:		 ELECTRIC MOTORS GEARMOTORS AND DRIVES	DRAWN DJ 09/04/08
		DEC	INCHES		CHK
		X	±.1		APPR
		XX	±.03	TITLE OUTLINE - 56 FRAME	SCALE 1:2
		XXX	±.005	TEFC - RIGID	REF 028793
01	ADD "AUTO OR MAN. PROT." PER ISAAC 09-5354	LST 12/16/2009	XX XXXX ±.0005	MATL	FMF 110017.00
NO	REVISION	BY & DATE	CHK ANG ±1/2"	FINISH GENERAL PURPOSE	PAGE OF
THIRD ANGLE PROJECTION			RFP	PREV	SIZE DRAWING NO
			NETWORK FILE NAME	B	028879
					REV 01

VIEW FROM OUTSIDE OF MOTOR AT SWITCH END.



	ROTATION FACING LEAD END	L1	L2	JOIN	INSULATE SEPARATELY
HIGH VOLT	C.C.W.	P1	U4 Z5	U2,U3 Z8	P2
	C.W.	P1	U4 Z8	U2,U3 Z5	P2
LOW VOLT	C.C.W.	P1	U2,U4 Z5	P2,U3 Z8	--
	C.W.	P1	U2,U4 Z8	P2,U3 Z5	--

NO.	REVISION	BY & DATE	CHK	TOLERANCES UNLESS SPECIFIED	
				DEC.	INCHES
				.X	±.1
				.XX	±.01
				.XXX	±.005
				.XXXX	±.0005
				ANG	±1/2°



ELECTRIC MOTORS
GEARMOTORS
AND DRIVES

DRAWN	PJM 4/02/96
CHK	
APPD	
SCALE	1=1
REF	005382-01
FMF	114831
PREV	

TITLE	EXTERNAL WIRING DIAGRAM TYPE "C" W/PROTECTOR
MAT'L.	DECAL - 080600 IEC LEAD MARKING
FINISH	
RFP	CAD FILE 00538202
DIST	

SIZE	DRAWING NO.	REV.
A	005382-02	

```
ERROR: syntaxerror  
OFFENDING COMMAND: --nostringval--
```

```
STACK:
```

```
 /im  
-savelevel-
```

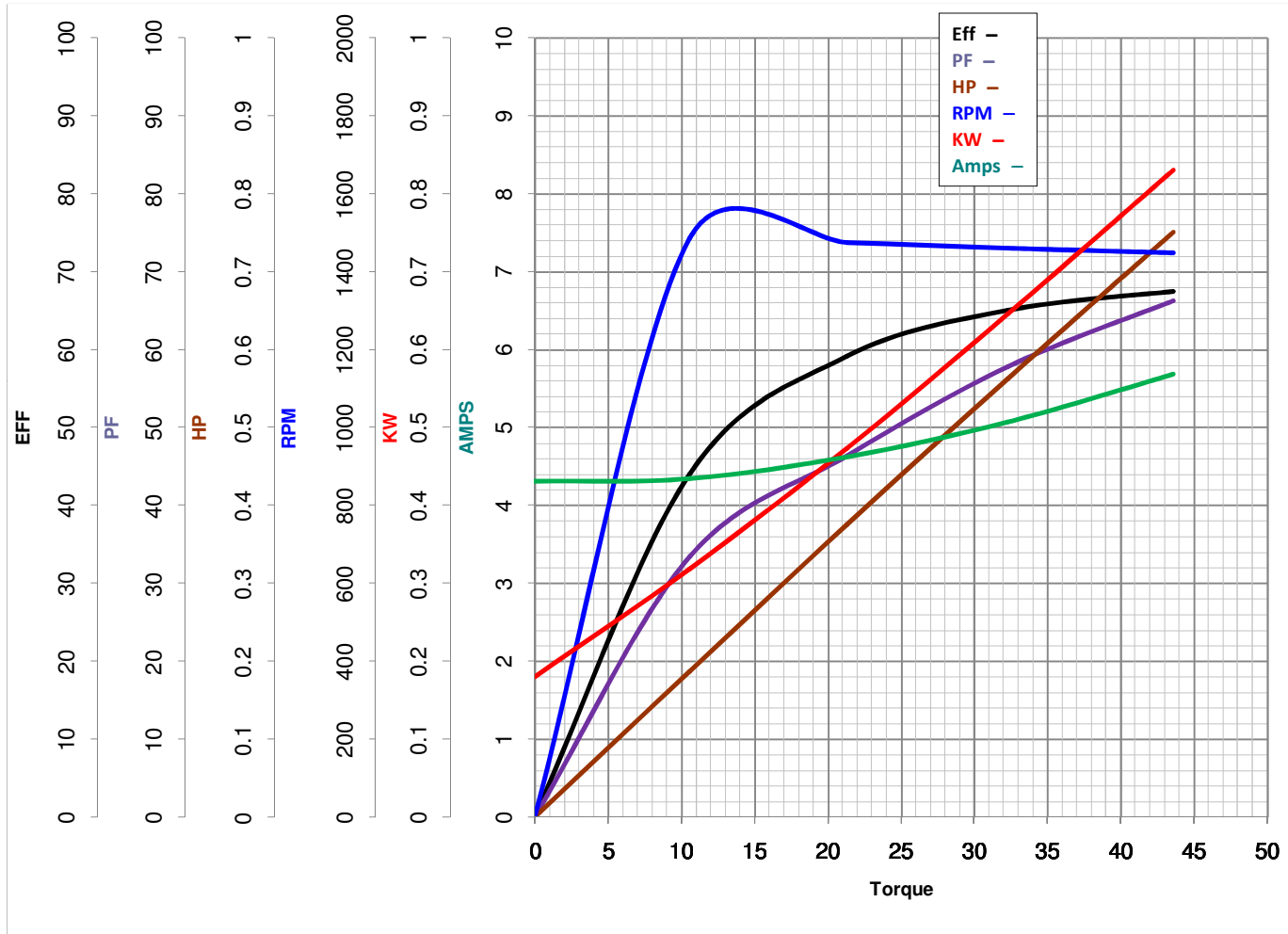


LEESON ELECTRIC CORPORATION
 TYPICAL PERFORMANCE CURVE for AC MOTOR

Model No 113910.00

Catalog No 113910.00

Curve at 220 Volts HP 0.76 PHASE 1
50 HZ
0.75 HP VOLTS 110/220
 HZ 50 RPM 1425



Torque in Oz.Ft

FL TORQUE 43.6 Oz.Ft
 BD TORQUE 107.1 Oz.Ft
 LR TORQUE 144.8 Oz.Ft

FL AMPS 11.8/5.9
 PU TORQUE 105.1 Oz.Ft
 LR AMPS 26.7

WINDING C634265-6

Date 3/23/2018