

# PRODUCT INFORMATION PACKET



Model No: A6T17EK8C

Catalog No: 114628.00

1/2HP..1725/1425RPM.56.EPNV./V.3PH.60/50HZ.CONT.AUTOMATIC.40C.1.0/1.0SF.RIGID.EXPLOSION-  
PROOF.A6T17EK8C

Explosion Proof



Regal and Leeson are trademarks of Regal Beloit Corporation or one of its affiliated companies.

©2018 Regal Beloit Corporation, All Rights Reserved. MC017097E



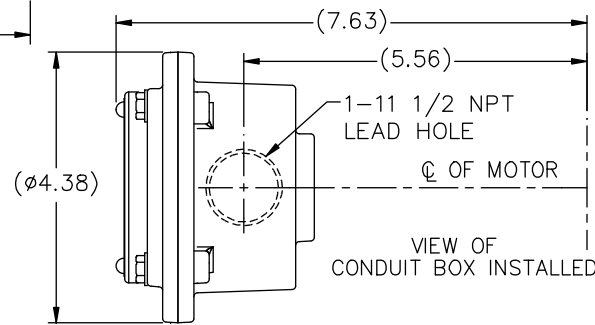
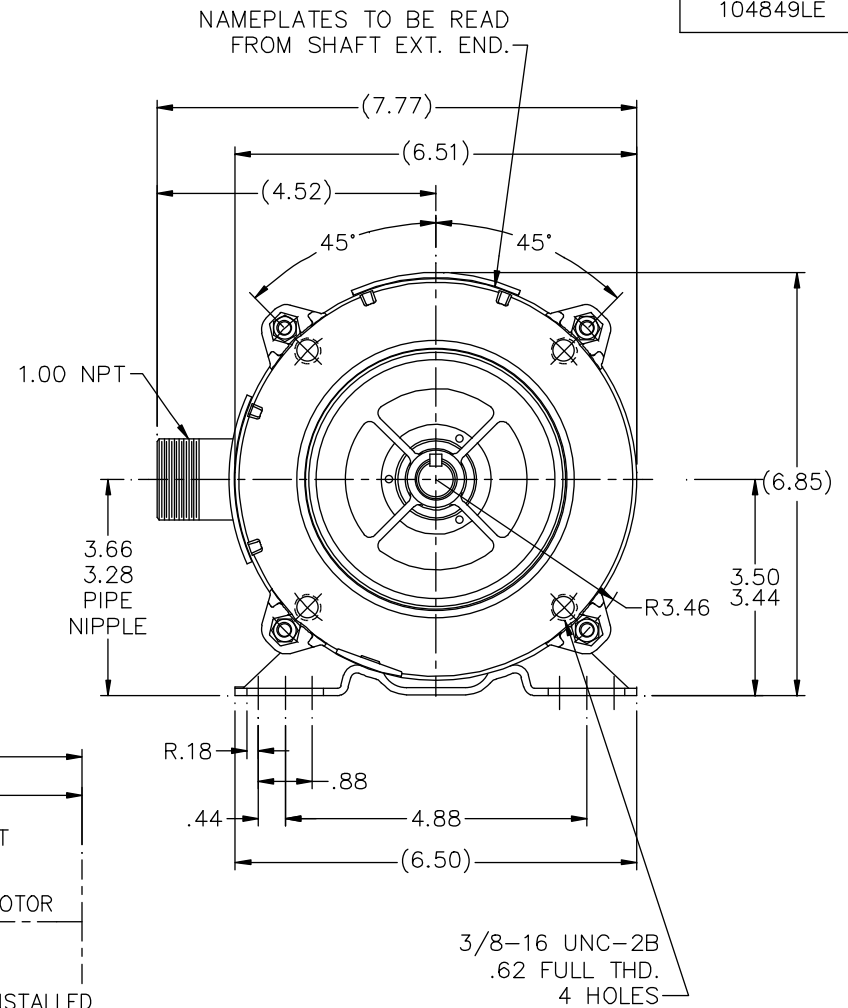
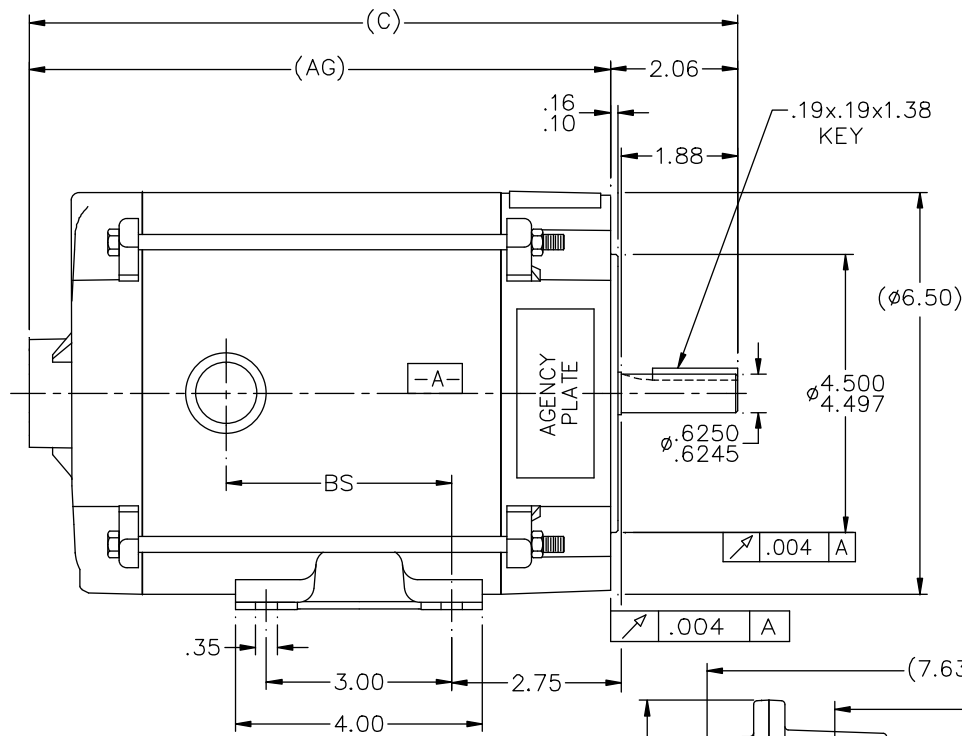


**Nameplate Specifications**

Output HP	<b>0.50 Hp</b>	Output KW	<b>0.37 kW</b>
Frequency	<b>60 Hz</b>	Voltage	<b>208-230/460 V</b>
Current	<b>1.8-1.6/0.80 A</b>	Speed	<b>1725 rpm</b>
Service Factor	<b>1</b>	Phase	<b>3</b>
Efficiency	<b>80 %</b>	Duty	<b>Continuous</b>
Insulation Class	<b>B</b>	Design Code	<b>B</b>
KVA Code	<b>L</b>	Frame	<b>56C</b>
Enclosure	<b>Explosion Proof Non Ventilated</b>	Overload Protector	<b>Automatic</b>
Ambient Temperature	<b>40 °C</b>	Drive End Bearing Size	<b>6203</b>
Opp Drive End Bearing Size	<b>6203</b>	UL	<b>Recognized</b>
CSA	<b>Y</b>	CE	<b>N</b>
IP Code	<b>54</b>		

**Technical Specifications**

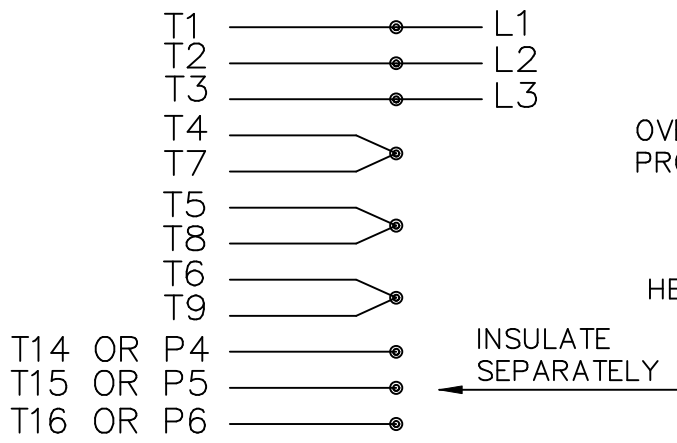
Electrical Type	<b>Squirrel Cage Induction Run</b>	Starting Method	<b>Across The Line</b>
Poles	<b>4</b>	Rotation	<b>Reversible</b>
Mounting	<b>Rigid base</b>	Motor Orientation	<b>HORIZONTAL</b>
Drive End Bearing	<b>BALL</b>	Opp Drive End Bearing	<b>BALL</b>
Frame Material	<b>Rolled Steel</b>	Shaft Type	<b>NEMA 56</b>
Overall Length	<b>12.47 in</b>	Frame Length	<b>6.81 in</b>
Shaft Diameter	<b>0.625 in</b>	Shaft Extension	<b>1.88 in</b>
Assembly/Box Mounting	<b>F1 ONLY</b>		
Outline Drawing	<b>B-104849LE-681</b>	Connection Diagram	<b>A-EE7335-LE</b>



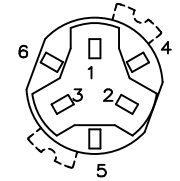
DASH	(C)	(AG)	BS
631	11.97	9.91	4.15
681	12.47	10.41	4.65
731	12.97	10.91	5.15
781	13.47	11.41	5.65
831	13.97	11.91	6.15
881	14.47	12.41	6.65
931	14.97	12.91	7.15
981	15.47	13.41	7.65

		TOLERANCES UNLESS SPECIFIED		LEESON		ELECTRIC MOTORS GEARMOTORS AND DRIVES		DRAWN RJW 06-25-2007	
		DEC.	INCHES					CHK	ML 06-25-2007
		.X	±.1					APPD	GK 06-25-2007
		.XX	±.03	TITLE		OUTLINE - 'C' FACE		SCALE	1=2
		.XXX	±.005			56 FR. - EXP. PR.		REF	
1	COND. BOX INSTALLED VIEW UPDATED PER ECR-0044571	UD	10/16/13	ST	.XXXX	±.0005	MAT'L.	FMF	
NO.	REVISION	BY & DATE		CHK	ANG	±1/2'	FINISH	PREV	
THIS DRAWING IN DESIGN AND DETAIL IS OUR PROPERTY AND MUST NOT BE USED EXCEPT IN CONNECTION WITH OUR WORK ALL RIGHTS OF DESIGN AND INVENTION ARE RESERVED THIS IS AN ELECTRONICALLY GENERATED DOCUMENT - DO NOT SCALE THIS PRINT				RFP	06-25-2007	CAD FILE	104849LE	SIZE	DRAWING NO. PAGE OF REV.
				DIST	WP			B	104849LE 1

HIGH VOLTAGE CONNECTIONS

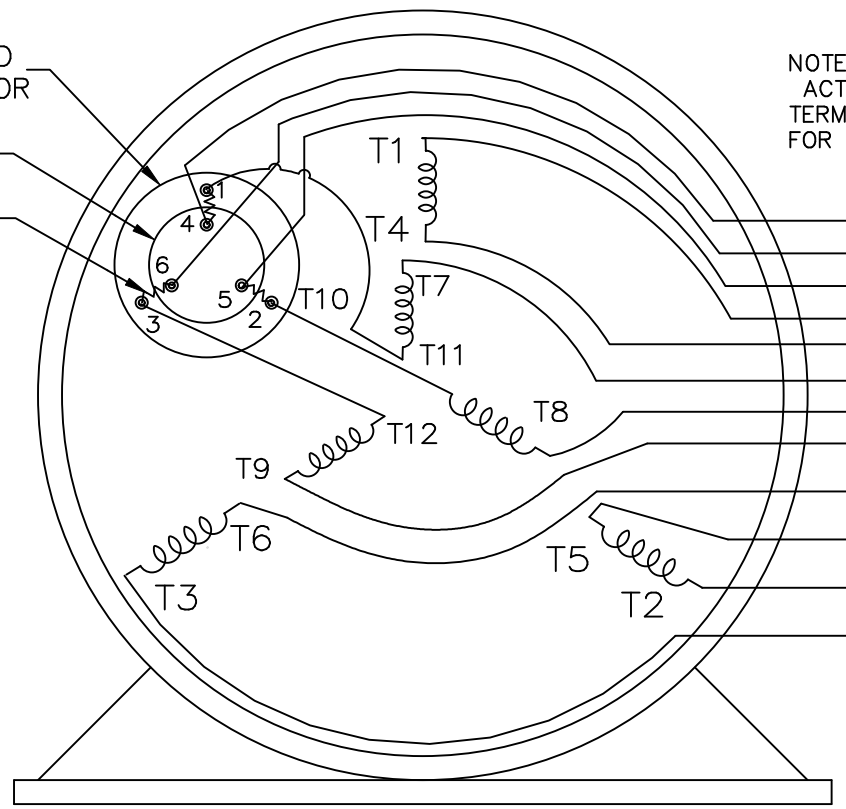


THREE PHASE - DUAL VOLTAGE MOTOR WITH OVERLOAD PROTECTOR



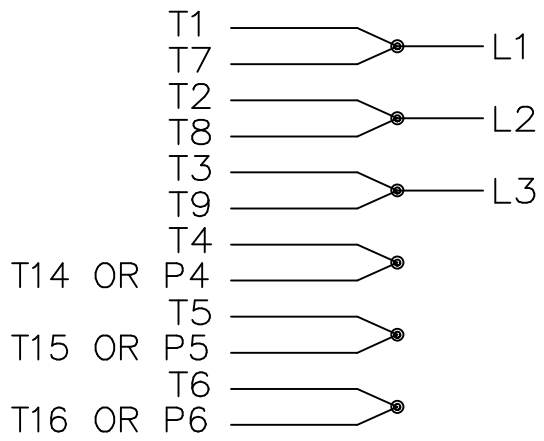
NOTE:  
ACTUAL PROTECTORS  
TERMINAL LOCATIONS  
FOR LEAD CONNECTIONS

OVERLOAD PROTECTOR  
DISC  
HEATER



T14 OR P4  
T16 OR P6  
T15 OR P5

LOW VOLTAGE CONNECTIONS



VIEW OF TERMINAL END

T2K  
T4D  
T6AN

				TOLERANCES UNLESS SPECIFIED		ELECTRIC MOTORS GEARMOTORS AND DRIVES	DRAWN NJS 04-20-2005	
				DEC.	INCHES		CHK ML 04-20-2005	
				.X	± -		APPD MJS 04-20-2005	
				.XX	± -		SCALE	
				.XXX	± -		REF	
				.XXXX	± -	MAT'L.		
				ANG	± -	FINISH		
NO.	REVISION	BY & DATE	CHK	ANG	± -	TITLE CONNECTION DIAGRAM 3φ- DUAL VOLTAGE W/OVERLOAD PROTECTOR		FMF
				RFP	04-20-2005	CAD FILE EE7335_LE		PREV
				DIST WP		SIZE A	DRAWING NO. EE7335-LE	PAGE OF REV.



