

PRODUCT INFORMATION PACKET



Model No: M6C34FK78D

Catalog No: 115877.00

1HP..3450RPM.56.TEFC.115/208-230V.1PH.60HZ.CONT.MANUAL.40C.1.15SF.RIGID C.GENERAL
PURPOSE.M6C34FK78D

Totally Enclosed Fan Cooled (TEFC)



Regal and Leeson are trademarks of Regal Beloit Corporation or one of its affiliated companies.

©2018 Regal Beloit Corporation, All Rights Reserved. MC017097E



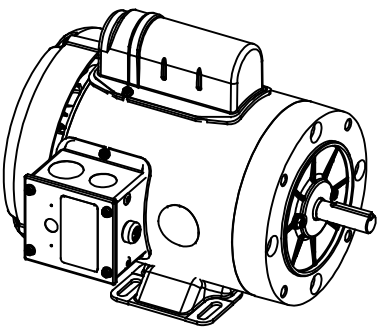
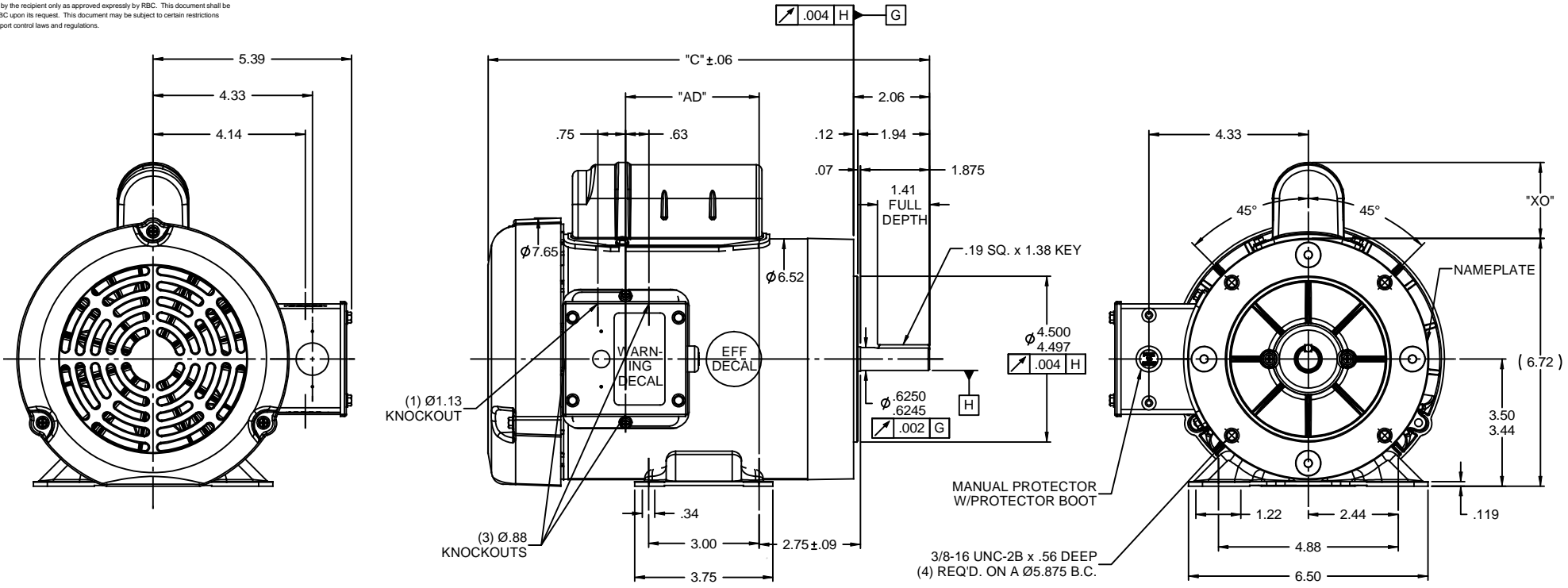


Nameplate Specifications

| | | | |
|----------------------------|------------------------------------|------------------------|----------------------|
| Output HP | 1 Hp | Output KW | 0.75 kW |
| Frequency | 60 Hz | Voltage | 115/208-230 V |
| Current | 12.0/6.2-6.0 A | Speed | 3450 rpm |
| Service Factor | 1.15 | Phase | 1 |
| Efficiency | 70 % | Duty | Continuous |
| Insulation Class | B | Design Code | N |
| KVA Code | J | Frame | 56C |
| Enclosure | Totally Enclosed Fan Cooled | Overload Protector | Manual |
| Ambient Temperature | 40 °C | Drive End Bearing Size | 6203 |
| Opp Drive End Bearing Size | 6203 | UL | Recognized |
| CSA | Y | CE | N |
| IP Code | 43 | | |

Technical Specifications

| | | | |
|-----------------------|--------------------------------------|-----------------------|-----------------------------------|
| Electrical Type | Capacitor Start Induction Run | Starting Method | Across The Line |
| Poles | 2 | Rotation | Selective Counterclockwise |
| Mounting | Rigid base | Motor Orientation | HORIZONTAL |
| Drive End Bearing | BALL | Opp Drive End Bearing | BALL |
| Frame Material | Rolled Steel | Shaft Type | NEMA 56 |
| Overall Length | 11.98 in | Frame Length | 6.50 in |
| Shaft Diameter | 0.625 in | Shaft Extension | 1.88 in |
| Assembly/Box Mounting | F1 ONLY | | |
| Outline Drawing | 028851-650B | Connection Diagram | 005003.03 |



| DASH NO. | "C" | "AD" | CAP DASH | "XO" |
|----------|-------|------|----------|------|
| 550 | 10.98 | 2.62 | A | 1.54 |
| 600 | 11.48 | 3.12 | B | 2.01 |
| 650 | 11.98 | 3.62 | C | 2.25 |
| 700 | 12.48 | 4.12 | | |
| 750 | 12.98 | 4.62 | | |
| 800 | 13.48 | 5.12 | | |

NOTES:
 1) GASKETS THROUGHOUT

| REVISION | | BY & DATE | CHK | ANG | ±1/2" | FINISH | SIZE | DRAWING NO | REV |
|----------|----------------------------|----------------|-----|-----|-------|--------|------|------------|-----|
| 02 | ADDED ITEM #550(116485.00) | GRB 12/1/2008 | DJ | XXX | ±.005 | | B | 028851 | 02 |
| 01 | ADDED ITEM #600(116922.00) | GRB 11/21/2008 | DJ | XXX | ±.005 | | | | |



**ELECTRIC MOTORS
 GEARMOTORS
 AND DRIVES**

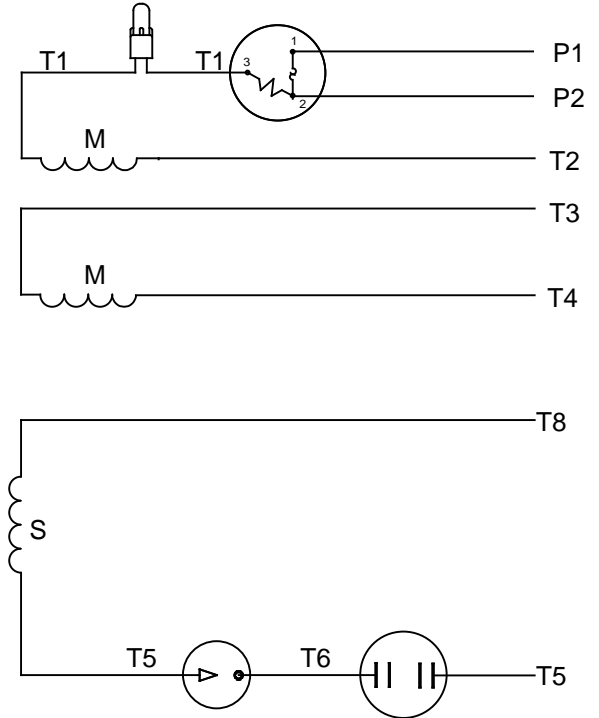
| | |
|-------|----------------|
| DRAWN | GRB 07/15/2008 |
| CHK | DJ 07/15/2008 |
| APPR | |
| SCALE | 3:8 |
| REF | 028831 |
| FMF | 110909.00 |
| PAGE | 1 OF 1 |



VIEW FROM OUTSIDE OF MOTOR AT SWITCH END



LINE LEADS



RBC PROPRIETARY AND CONFIDENTIAL INFORMATION
 This document is the property of REGAL BELOIT CORPORATION ("RBC") including its subsidiaries and divisions and contains proprietary information of RBC. This document is loaned on the express condition that neither it nor the information contained therein shall be disclosed to others without the express written consent of RBC, and that the information shall be used by the recipient only as approved expressly by RBC. This document shall be returned to RBC upon its request. This document may be subject to certain restrictions under U.S. export control laws and regulations.

| | ROTATION FACING LEAD END | L1 | L2 | JOIN | INSULATE SEPARATELY |
|-----------|--------------------------|----|-------------|-------------|---------------------|
| HIGH VOLT | C.C.W. | P1 | T4 T5 | T2,T3 T8 | P2 |
| | C.W. | P1 | T4 T8 | T2,T3 T5 | P2 |
| LOW VOLT | C.C.W. | P1 | T2,T4 T5 | P2,T3 T8 | --- |
| | C.W. | P1 | T2,T4 T8 | P2,T3 T5 | --- |

| | | TOLERANCES UNLESS SPECIFIED | | LEESON | ELECTRIC MOTORS GEARMOTORS AND DRIVES | DRAWN WLV 08/20/79 | |
|------------------------|-----------------------|-----------------------------|-----------|---|---|--------------------|--------------|
| | | DEC | INCHES | | | CHK | ADN 08/27/76 |
| | | .X | ±.1 | | | APPR | WRK 08/27/76 |
| | | .XX | ±.01 | TITLE EXTERNAL WIRING DIAGRAM TYPE "C" W/PROTECTOR | | SCALE 1:1 | |
| 06 | REDRAWN IN SOLIDWORKS | VJB | 7/22/2011 | .XXX | ±.005 | REF | |
| 05 | REDRAWN ON CAD | DBT | 05/27/97 | .XXXX | ±.0005 | FMF | |
| NO | REVISION | BY & DATE | CHK | ANG | ±1/2° | FINISH | PAGE OF |
| THIRD ANGLE PROJECTION | | RFP | | PREV | | SIZE | DRAWING NO |
| | | NETWORK FILE NAME | | 00500303 | | A | 005003-03 |
| | | | | | | | 06 |



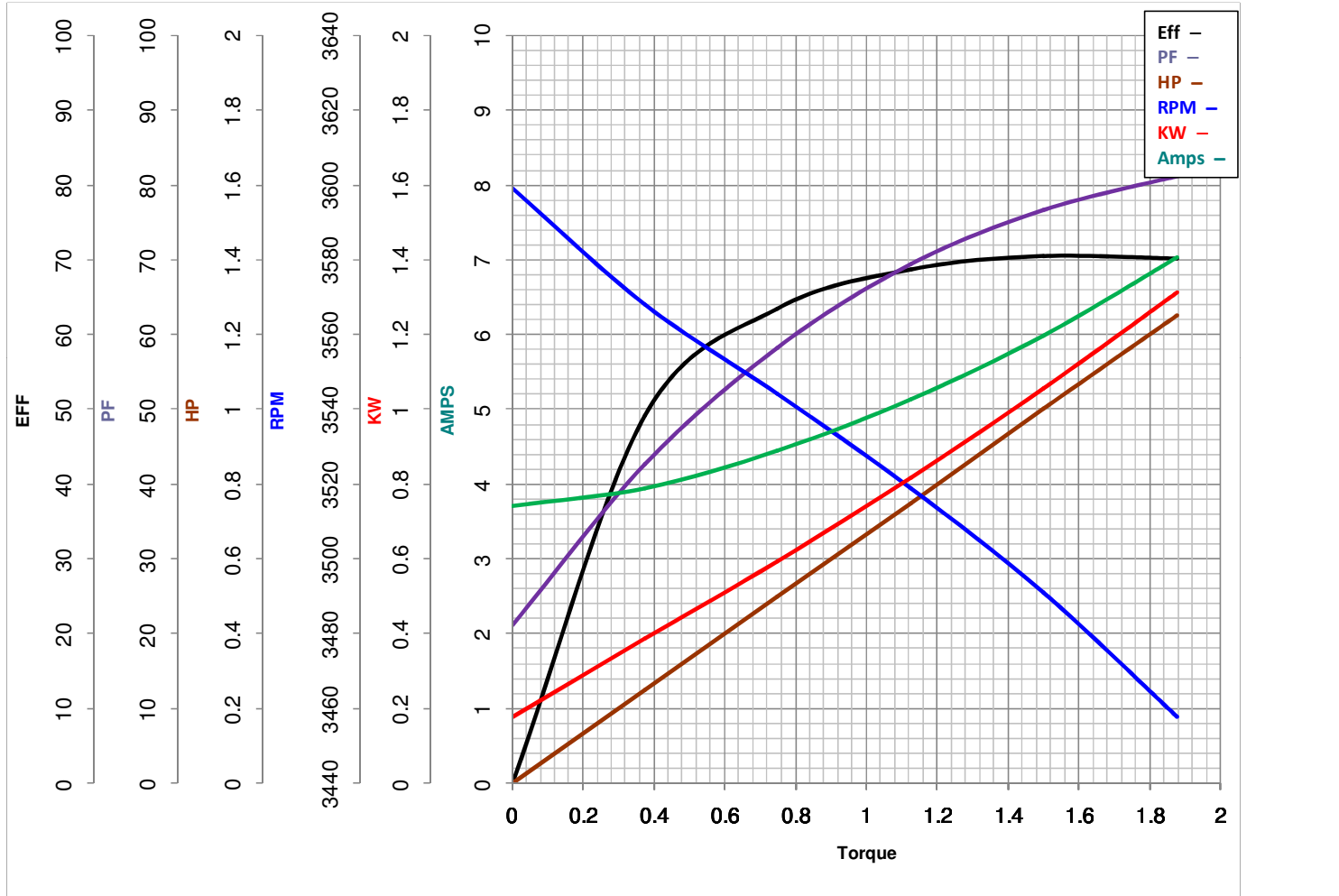
LEESON ELECTRIC CORPORATION
 TYPICAL PERFORMANCE CURVE for AC MOTOR

Model No 115877.00

Curve at 230 Volts HP 1.00 PHASE 1
60 HZ
1 HP VOLTS 115/208-230

Catalog No 115877.00

HZ 60 RPM 3450



Torque in Lb.Ft

FL TORQUE 1.5 Lb.Ft
 BD TORQUE 4.0 Lb.Ft
 LR TORQUE 5 Lb.Ft

FL AMPS 12/6.2-6
 PU TORQUE 3.8 Lb.Ft
 LR AMPS 34

WINDING C632211-3

Date 4/12/2018