

# PRODUCT INFORMATION PACKET



Model No: NZ6C34VK1A

Catalog No: 116347.00

1HP..3450RPM.56H.TENV.115/208-230V.1PH.60HZ.CONT.NOT.40C.1.15SF.RIGID C.WASHGUARD-ALL  
STAINLESS.NZ6C34VK1A

1 Phase



Regal and Leeson are trademarks of Regal Beloit Corporation or one of its affiliated companies.

©2018 Regal Beloit Corporation, All Rights Reserved. MC017097E



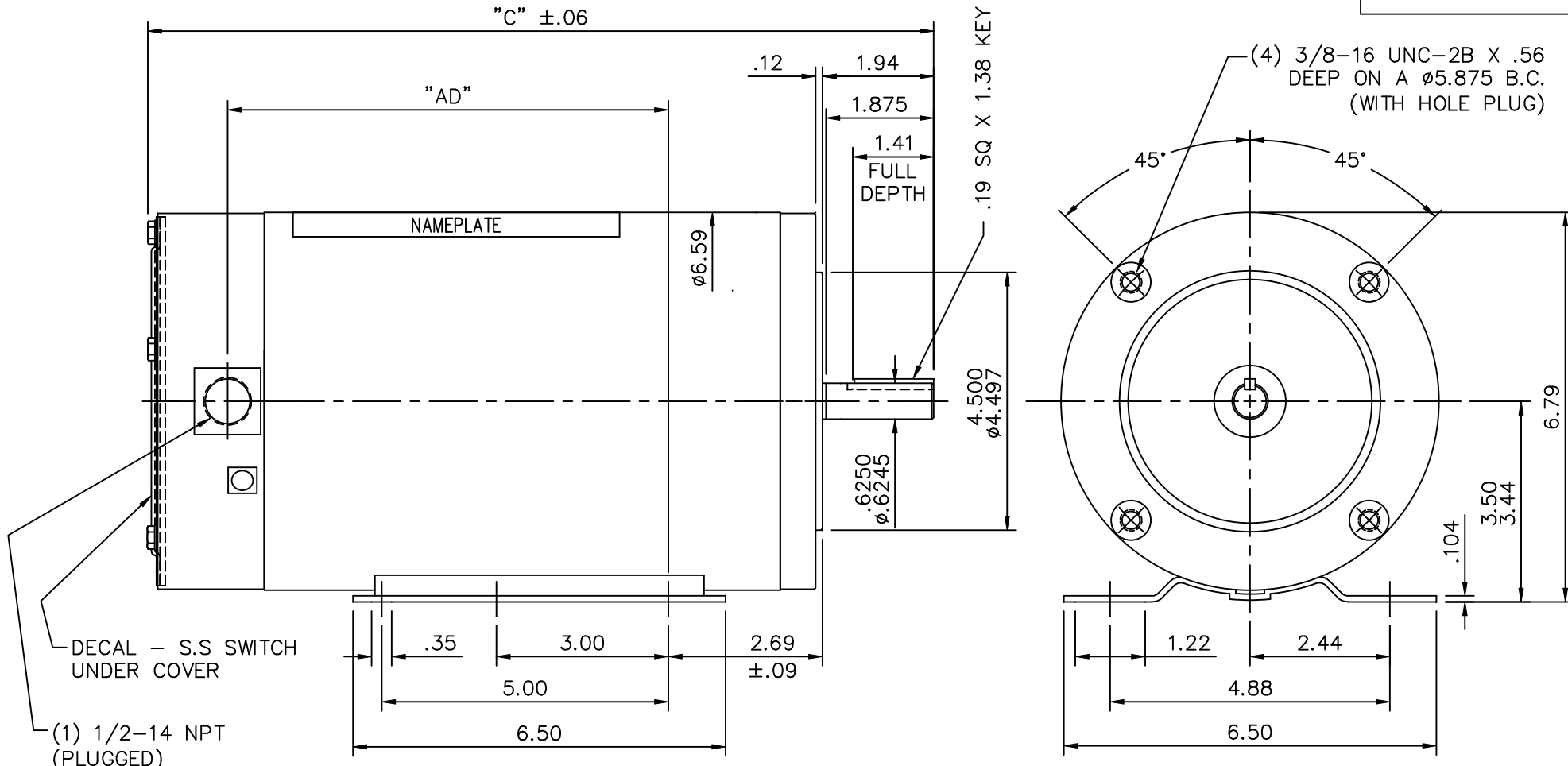


### Nameplate Specifications

Output HP	1 Hp	Output KW	0.75 kW
Frequency	60 Hz	Voltage	115/208-230 V
Current	12.0/6.8-6.0 A	Speed	3450 rpm
Service Factor	1.15	Phase	1
Efficiency	66 %	Duty	Continuous
Insulation Class	F	Design Code	L
KVA Code	K	Frame	56HC
Enclosure	Totally Enclosed Non Ventilated	Overload Protector	No
Ambient Temperature	40 °C	Drive End Bearing Size	6205
Opp Drive End Bearing Size	6203	UL	No
CSA	N	CE	Y
IP Code	55		

### Technical Specifications

Electrical Type	Capacitor Start Induction Run	Starting Method	Across The Line
Poles	2	Rotation	Selective Counterclockwise
Mounting	Rigid base	Motor Orientation	HORIZONTAL
Drive End Bearing	BALL	Opp Drive End Bearing	BALL
Frame Material	Rolled Steel	Shaft Type	NEMA 56
Overall Length	13.70 in	Frame Length	9.00 in
Shaft Diameter	0.625 in	Shaft Extension	1.88 in
Assembly/Box Mounting	F1 ONLY		
Outline Drawing	034991-900	Connection Diagram	005278.01



**SPECIAL FEATURES:**

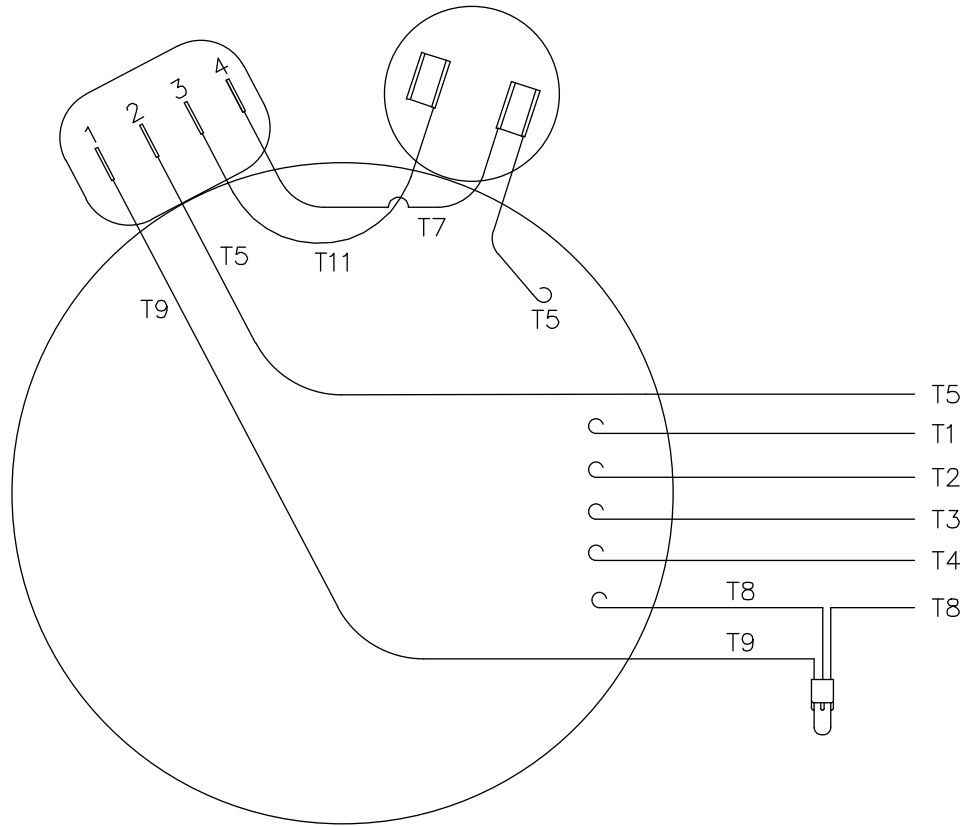
- VITON CONDUIT BOX & COVER GASKETS
- VITON O-RINGS IN ENDBELL RABBETS
- VITON SHAFT SEAL
- BREATHER PLUGS IN L.E. ENDBELL (B.I.C.B.)
- ALL STAINLESS STEEL CONSTRUCTION

DASH NO.	"C"	"AD"
750	12.20	6.19
800	12.70	6.69
850	13.20	7.19
900	13.70	7.69

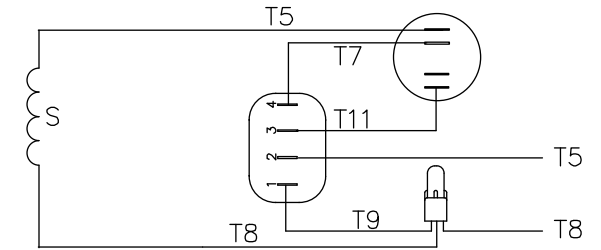
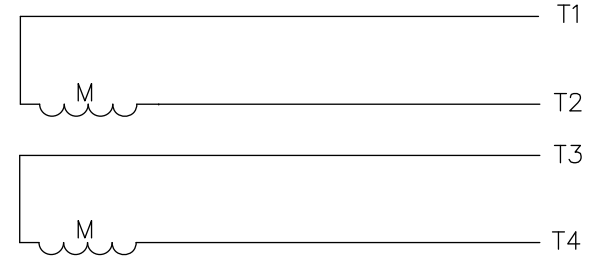
MAXIMUM FACE RUNOUT TO BE .004 T.I.R.  
 MAXIMUM PILOT ECCENTRICITY .004 T.I.R.  
 PERMISSIBLE SHAFT RUNOUT .002 T.I.R.

				TOLERANCES UNLESS SPECIFIED		ELECTRIC MOTORS GEARMOTORS AND DRIVES	DRAWN	LST 3/18/03
				DEC.	INCHES		CHK	
				.X	±.1		APPD	
				.XX	±.03		SCALE	3=8
02	ADDED HOLE PLUGS PER ECO 03-617	LST 8/7/03	.XXX	±.005	TITLE	OUTLINE- 56HC FRAME TENV- RIGID "C"	REF	PR020350
01	REVISED NAMEPLATE	JJK 7/24/03	.XXXX	±.0005	MAT'L.	STAINLESS STEEL DUCK	FMF	116348
NO.	REVISION	BY & DATE	CHK	ANG ±1/2°	FINISH		PREV	
THIS DRAWING IN DESIGN AND DETAIL IS OUR PROPERTY AND MUST NOT BE USED EXCEPT IN CONNECTION WITH OUR WORK ALL RIGHTS OF DESIGN AND INVENTION ARE RESERVED THIS IS AN ELECTRONICALLY GENERATED DOCUMENT - DO NOT SCALE THIS PRINT				RFP	CAD FILE	034991	SIZE	DRAWING NO.
				DIST			A	034991
								REV. 02

VIEW FROM OUTSIDE OF MOTOR AT SWITCH END



LINE LEADS



	ROTATION FACING LEAD END	L1	L2	JOIN & INSULATE
HIGH VOLT	C.C.W.	T1	T4 T5	T2,T3 T8
	C.W.	T1	T4 T8	T2,T3 T5
LOW VOLT	C.C.W.	T1,T3 T8	T2,T4 T5	
	C.W.	T1,T3 T5	T2,T4 T8	

		TOLERANCES UNLESS SPECIFIED	
		DEC.	INCHES
		.X	±.1
		.XX	±.01
05	ADDED DECAL FOR STOCK MODELS ECR 0042509	GWS	9/10/13
04	REDRAWN ON CAD	DBT	6/06/97
NO.	REVISION	BY & DATE	CHK ANG ±1/2'



ELECTRIC MOTORS  
GEARMOTORS  
AND DRIVES

DRAWN	PG 01/09/88
CHK	
APPD	DJW 01/16/88
SCALE	1=1
REF	005242
FMF	6C17WB1
PREV	

TITLE	EXTERNAL WIRING DIAGRAM TYPE "C" W/O PROTECTOR
MAT'L.	DECAL - 004012
FINISH STOCK MODELS TO USE DECAL	214-0122-001

THIS DRAWING IN DESIGN AND DETAIL IS OUR PROPERTY AND MUST NOT BE USED EXCEPT IN CONNECTION WITH OUR WORK ALL RIGHTS OF DESIGN AND INVENTION ARE RESERVED THIS IS AN ELECTRONICALLY GENERATED DOCUMENT - DO NOT SCALE THIS PRINT

RFP	04/18/02
DIST	BRF

CAD FILE	00527801
----------	----------

SIZE	DRAWING NO.	REV.
A	005278-01	05



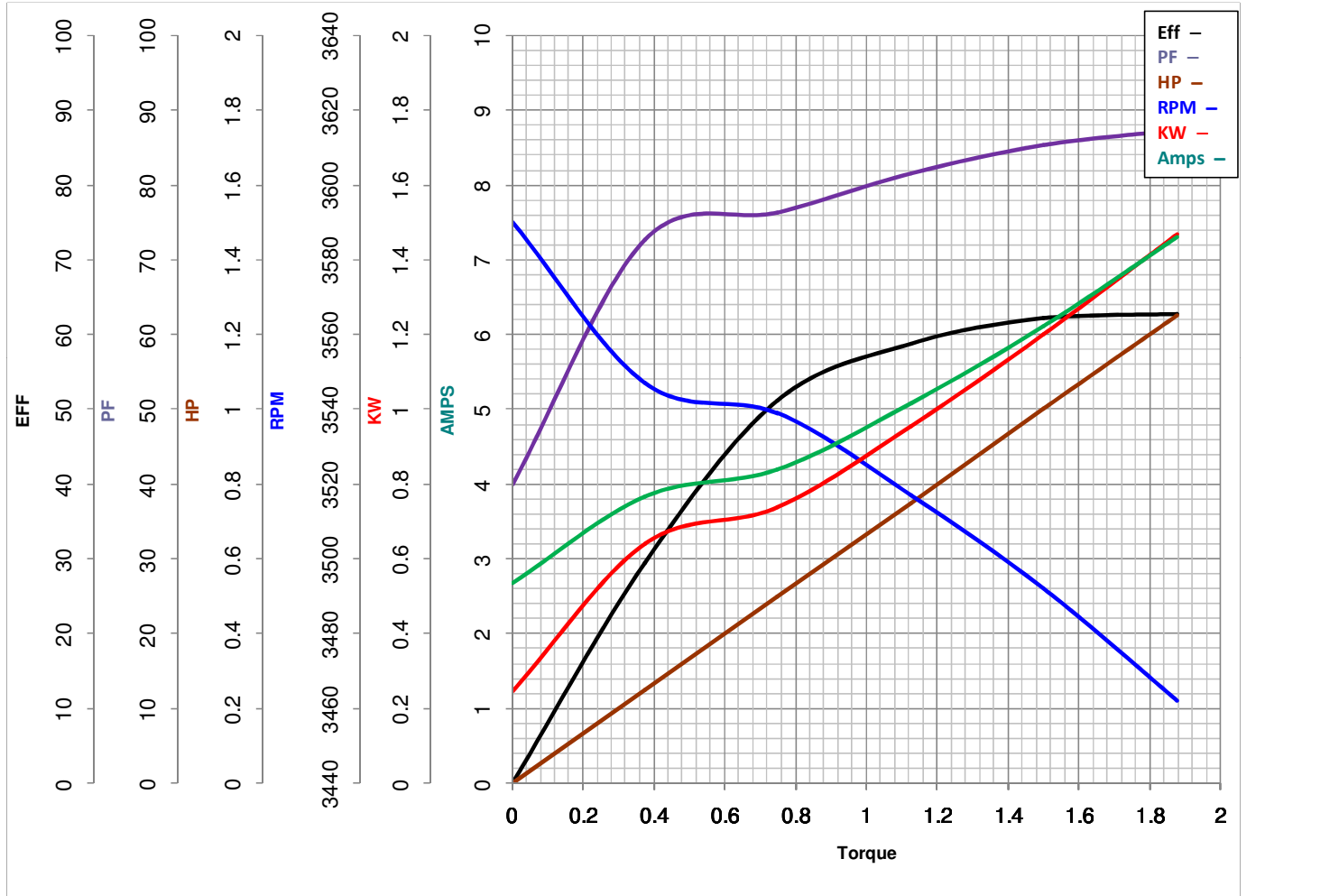
**LEESON ELECTRIC CORPORATION**  
 TYPICAL PERFORMANCE CURVE for AC MOTOR

Model No 116347.00

Catalog No 116347.00

Curve at 230 Volts      HP 1.00      PHASE 1  
60 HZ  
1 HP      VOLTS 115/208-230

HZ 60      RPM 3450



Torque in Lb.Ft

FL TORQUE 1.5 Lb.Ft  
 BD TORQUE 3.5 Lb.Ft  
 LR TORQUE 5 Lb.Ft

FL AMPS 12/6.8-6  
 PU TORQUE 3.0 Lb.Ft  
 LR AMPS 38

WINDING C632217-3

Date 3/26/2018