

# PRODUCT INFORMATION PACKET



Model No: A6K17DR41B

Catalog No: 116600.00

..1 1/2HP..1725RPM.56H.DP.277V.1PH.60HZ.CONT.40C.1.15SF.RESIL....AUTOMATIC.....

Fan and Blower



Regal and Leeson are trademarks of Regal Beloit Corporation or one of its affiliated companies.

©2018 Regal Beloit Corporation, All Rights Reserved. MC017097E



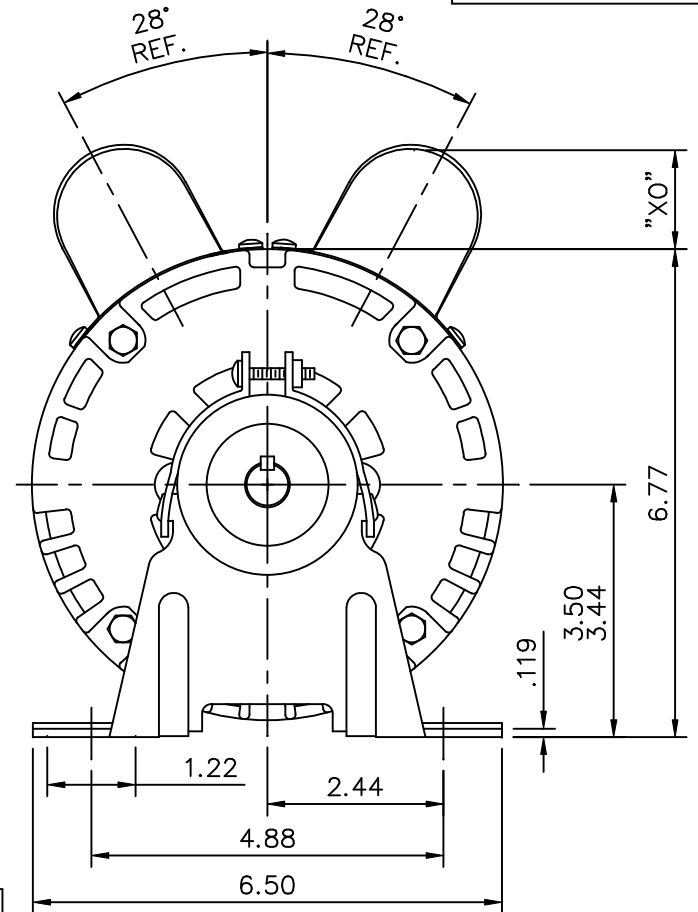
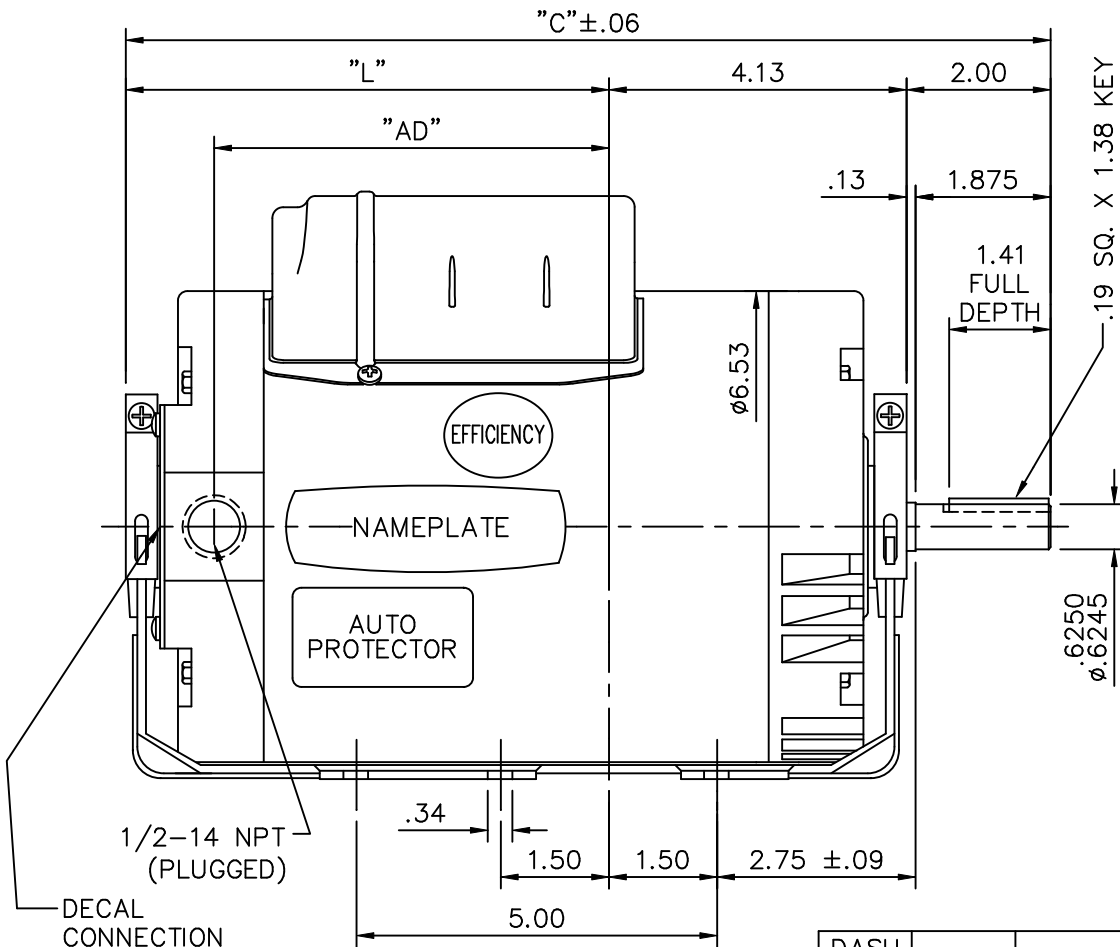


### Nameplate Specifications

Output HP	<b>1.50 Hp</b>	Output KW	<b>1.1 kW</b>
Frequency	<b>60 Hz</b>	Voltage	<b>277 V</b>
Current	<b>6.0 A</b>	Speed	<b>1725 rpm</b>
Service Factor	<b>1.15</b>	Phase	<b>1</b>
Efficiency	<b>81 %</b>	Duty	<b>Continuous</b>
Insulation Class	<b>B</b>	Design Code	<b>M</b>
KVA Code	<b>G</b>	Frame	<b>56H</b>
Enclosure	<b>Drip Proof</b>	Overload Protector	<b>Automatic</b>
Ambient Temperature	<b>40 °C</b>	Drive End Bearing Size	<b>6203</b>
Opp Drive End Bearing Size	<b>6203</b>	UL	<b>Recognized</b>
CSA	<b>Y</b>	CE	<b>N</b>
IP Code	<b>22</b>		


### Technical Specifications

Electrical Type	<b>Capacitor Start Capacitor Run</b>	Starting Method	<b>Across The Line</b>
Poles	<b>4</b>	Rotation	<b>Selective Counterclockwise</b>
Mounting	<b>Resilient Base</b>	Motor Orientation	<b>HORIZONTAL</b>
Drive End Bearing	<b>BALL</b>	Opp Drive End Bearing	<b>BALL</b>
Frame Material	<b>Rolled Steel</b>	Shaft Type	<b>NEMA 56</b>
Overall Length	<b>12.82 in</b>	Frame Length	<b>7.00 in</b>
Shaft Diameter	<b>0.625 in</b>	Shaft Extension	<b>1.88 in</b>
Assembly/Box Mounting	<b>F1 ONLY</b>		
Outline Drawing	<b>028653-700</b>	Connection Diagram	<b>005486.01</b>



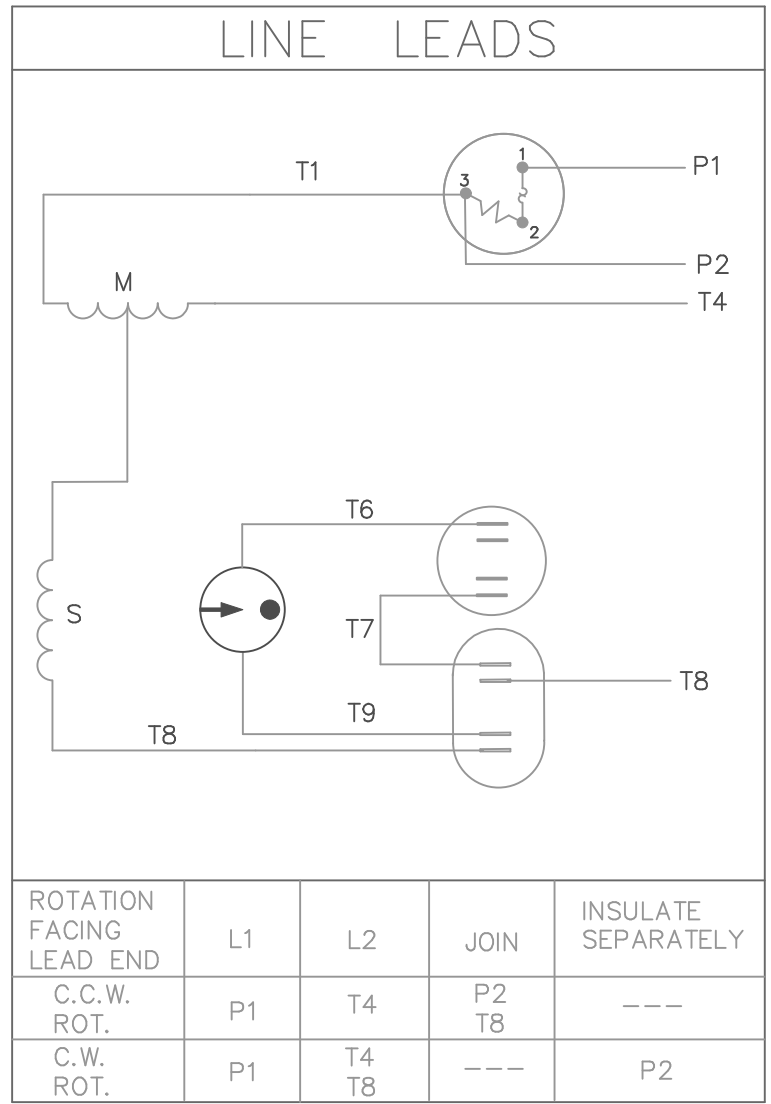
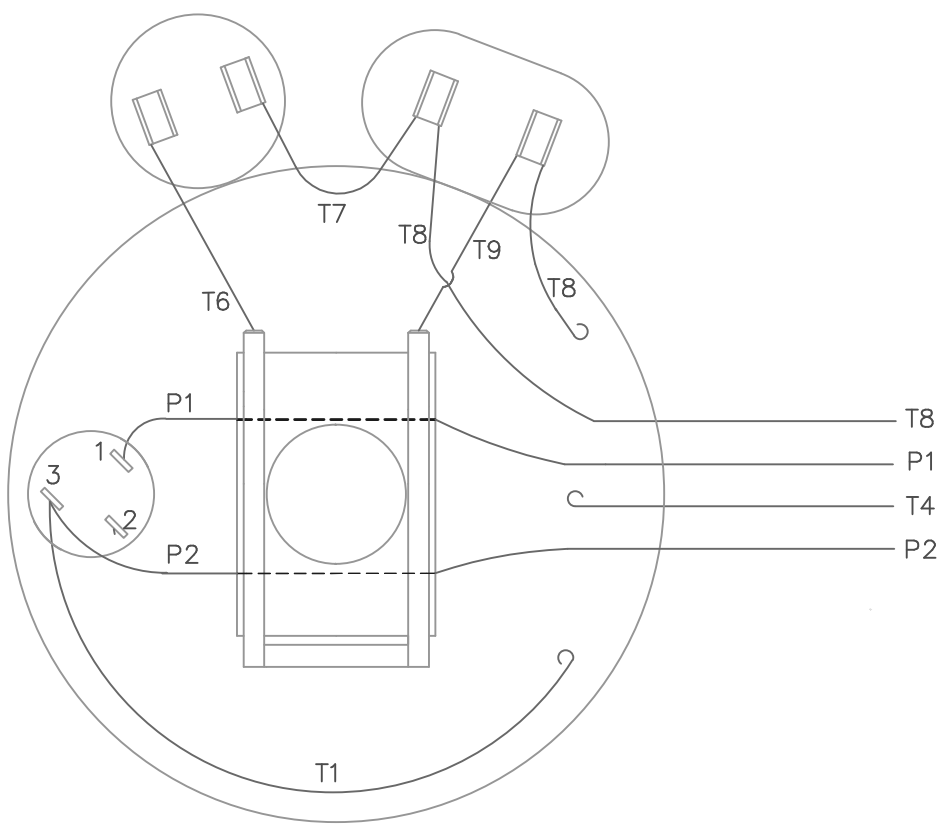
DECAL CONNECTION UNDER COVER (WHEN REQ'D.)

DASH NO.	"C"	"L"	"AD"	CAP. DASH	"X0"
500	10.82	4.70	3.47		
550	11.32	5.20	3.97		
600	11.82	5.70	4.47		
650	12.32	6.20	4.97		
700	12.82	6.70	5.47	A	1.00
750	13.32	7.20	5.97	B	1.45
800	13.82	7.70	6.47	C	1.67

				TOLERANCES UNLESS SPECIFIED		 ELECTRIC MOTORS GEARMOTORS AND DRIVES		DRAWN LST 11/8/04	
				DEC. INCHES				CHK RW 11/11/04	
				.X ±.1				APPD KH 11/11/04	
				.XX ±.03				SCALE 3=8	
				.XXX ±.005				REF 110579	
				.XXXX ±.0005		MAT'L.		FMF	
NO. REVISION				BY & DATE		FINISH		PREV	
THIS DRAWING IN DESIGN AND DETAIL IS OUR PROPERTY AND MUST NOT BE USED EXCEPT IN CONNECTION WITH OUR WORK ALL RIGHTS OF DESIGN AND INVENTION ARE RESERVED THIS IS AN ELECTRONICALLY GENERATED DOCUMENT - DO NOT SCALE THIS PRINT				RFP		CAD FILE 028653		SIZE A	
				DIST				DRAWING NO. 028653	
								REV.	

ERROR: undefined  
OFFENDING COMMAND: P  
STACK :

VIEW FROM OUTSIDE OF MOTOR AT SWITCH END.



				TOLERANCES UNLESS SPECIFIED		ELECTRIC MOTORS GEARMOTORS AND DRIVES		DRAWN JGO 11/01/04							
				DEC.	INCHES					CHK					
				.X	±.1					APPD					
				.XX	±.01			TITLE		SCALE					
				.XXX	±.005			EXTERNAL WIRING DIAGRAM TYPE K W/ PROTECTOR		REF					
				.XXXX	±.0005	MAT'L.		FMF							
				ANG	±1/2'	FINISH		PREV							
REVISION				BY & DATE		RFP		CAD FILE		SIZE		DRAWING NO.		REV.	
								00548601		A		005486-01			

THIS DRAWING IN DESIGN AND DETAIL IS OUR PROPERTY AND MUST NOT BE USED EXCEPT IN CONNECTION WITH OUR WORK ALL RIGHTS OF DESIGN AND INVENTION ARE RESERVED THIS IS AN ELECTRONICALLY GENERATED DOCUMENT - DO NOT SCALE THIS PRINT