

# PRODUCT INFORMATION PACKET



Model No: C6T34DC92A  
Catalog No: 116698.00  
..5HP..3490RPM.56.DP.230/460V.3PH.60HZ.CONT.40C.1.15SF.C  
FACE.C6T34DC92A.....NOT....3.7/2.2kW...  
Jet Pump



Regal and Leeson are trademarks of Regal Beloit Corporation or one of its affiliated companies.  
©2018 Regal Beloit Corporation, All Rights Reserved. MC017097E



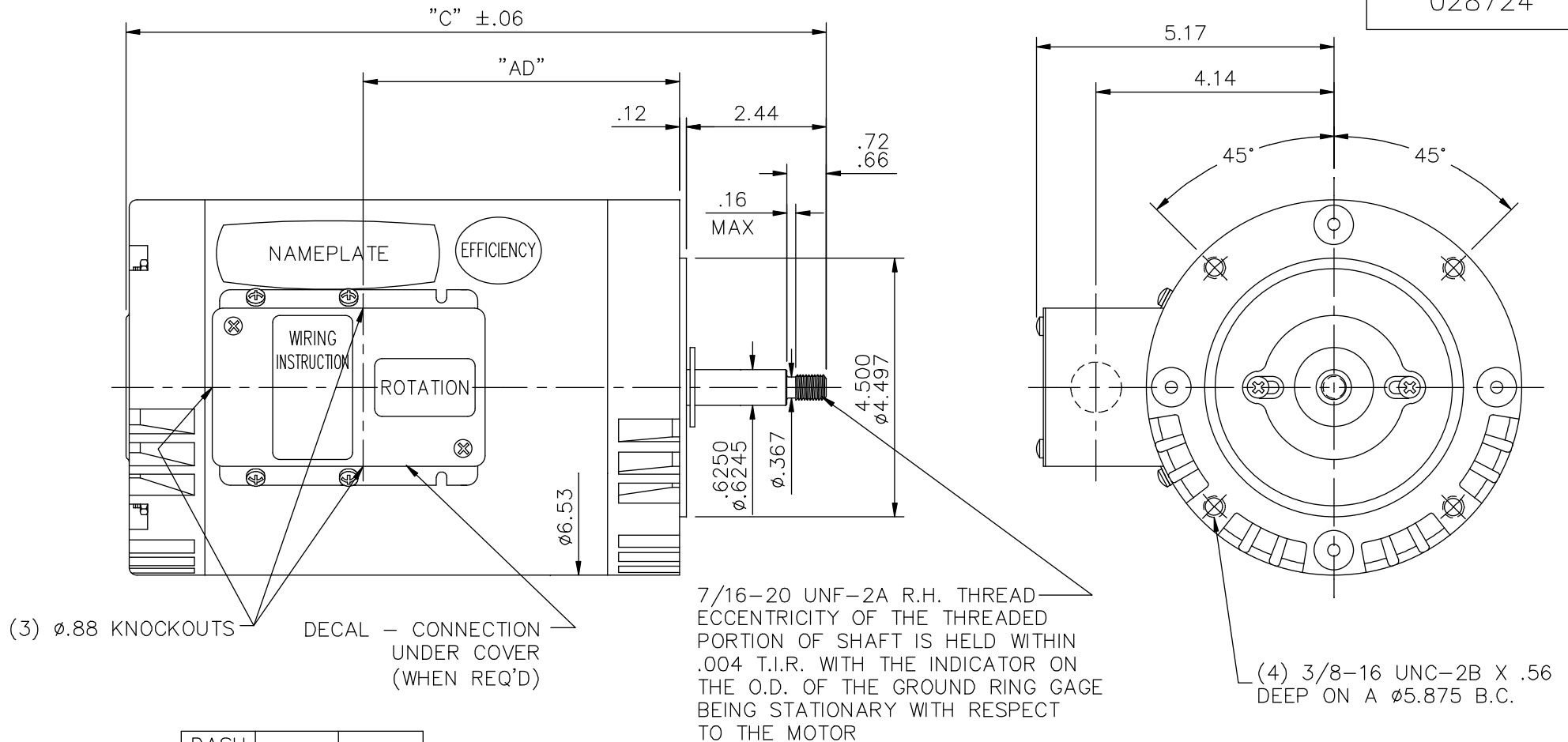


### Nameplate Specifications

|                            |                   |                        |                   |
|----------------------------|-------------------|------------------------|-------------------|
| Output HP                  | <b>5 Hp</b>       | Output KW              | <b>3.7 kW</b>     |
| Frequency                  | <b>60 Hz</b>      | Voltage                | <b>230/460 V</b>  |
| Current                    | <b>12.4/6.2 A</b> | Speed                  | <b>3490 rpm</b>   |
| Service Factor             | <b>1.15</b>       | Phase                  | <b>3</b>          |
| Efficiency                 | <b>85.5 %</b>     | Duty                   | <b>Continuous</b> |
| Insulation Class           | <b>F</b>          | Design Code            | <b>A</b>          |
| KVA Code                   | <b>L</b>          | Frame                  | <b>56J</b>        |
| Enclosure                  | <b>Drip Proof</b> | Overload Protector     | <b>No</b>         |
| Ambient Temperature        | <b>40 °C</b>      | Drive End Bearing Size | <b>6205</b>       |
| Opp Drive End Bearing Size | <b>6203</b>       | UL                     | <b>Recognized</b> |
| CSA                        | <b>Y</b>          | CE                     | <b>N</b>          |
| IP Code                    | <b>22</b>         |                        |                   |

### Technical Specifications


|                       |                                    |                       |                        |
|-----------------------|------------------------------------|-----------------------|------------------------|
| Electrical Type       | <b>Squirrel Cage Induction Run</b> | Starting Method       | <b>Across The Line</b> |
| Poles                 | <b>2</b>                           | Rotation              | <b>Reversible</b>      |
| Mounting              | <b>Round</b>                       | Motor Orientation     | <b>HORIZONTAL</b>      |
| Drive End Bearing     | <b>BALL</b>                        | Opp Drive End Bearing | <b>BALL</b>            |
| Frame Material        | <b>Rolled Steel</b>                | Shaft Type            | <b>J</b>               |
| Overall Length        | <b>13.68 in</b>                    | Frame Length          | <b>8.50 in</b>         |
| Shaft Diameter        | <b>0.625 in</b>                    | Shaft Extension       | <b>2.44 in</b>         |
| Assembly/Box Mounting | <b>F1 ONLY</b>                     |                       |                        |
| Outline Drawing       | <b>028724-850</b>                  | Connection Diagram    | <b>005010.01</b>       |



(3) φ.88 KNOCKOUTS  
 DECAL - CONNECTION UNDER COVER (WHEN REQ'D)

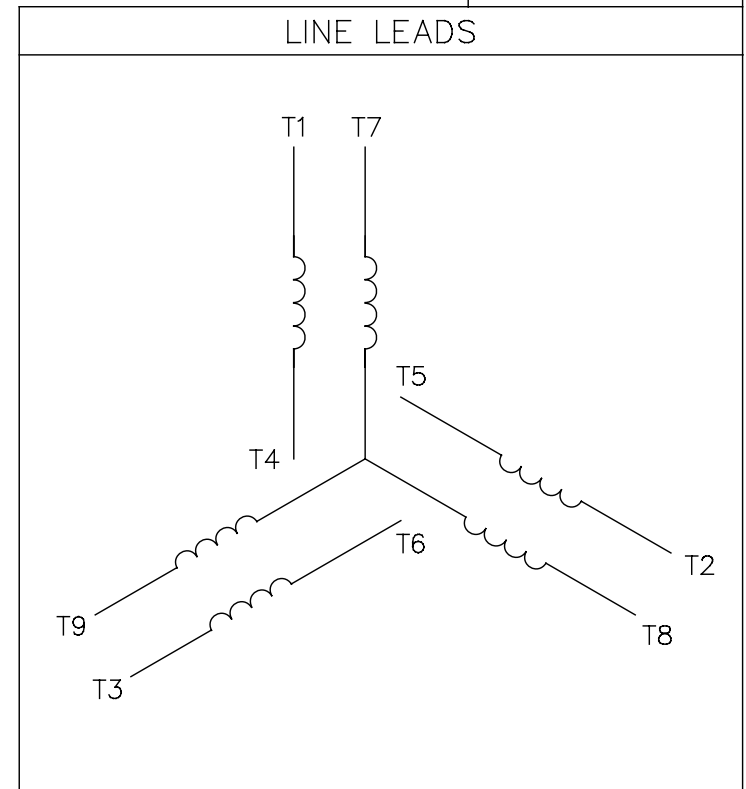
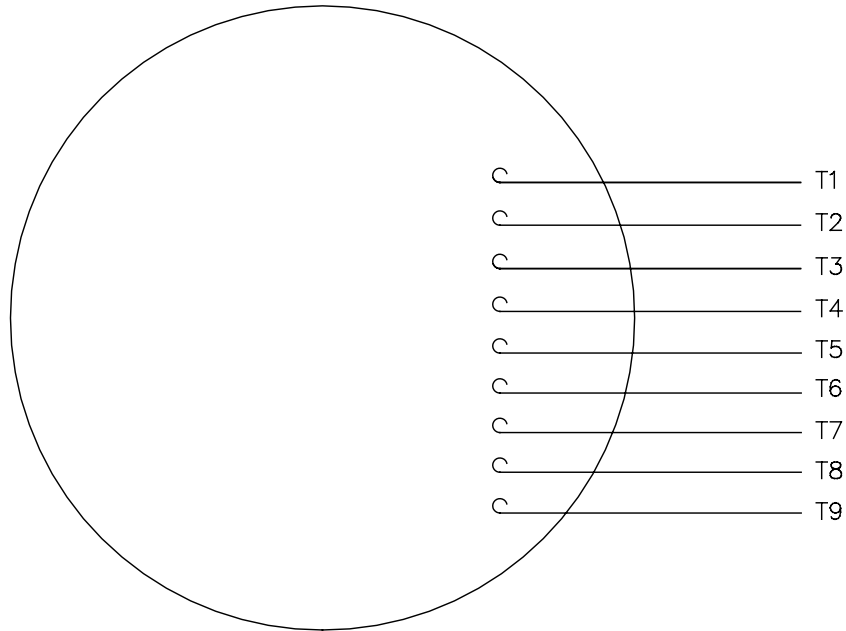
| DASH NO. | "C"   | "AD" |
|----------|-------|------|
| 600      | 11.18 | 4.50 |
| 650      | 11.68 | 5.00 |
| 700      | 12.18 | 5.50 |
| 750      | 12.68 | 6.00 |
| 800      | 13.18 | 6.50 |
| 850      | 13.68 | 7.00 |

NOTES:  
 FLINGER ON SHAFT  
 STAINLESS STEEL SHAFT EXTENSION  
 MAXIMUM FACE RUNOUT TO BE .004 T.I.R.  
 MAXIMUM PILOT ECCENTRICITY .004 T.I.R.

|  |          |           |      |                             |          |   |                   |             |
|--|----------|-----------|------|-----------------------------|----------|---|-------------------|-------------|
|  |          |           |      | TOLERANCES UNLESS SPECIFIED |          |  ELECTRIC MOTORS<br>GEARMOTORS<br>AND DRIVES | DRAWN RDW 9/12/05 |             |
|  |          |           |      | DEC.                        | INCHES   |   | CHK               |             |
|  |          |           |      | .X                          | ±.1      |   | APPD SW 9/12/05   |             |
|  |          |           |      | .XX                         | ±.03     |   | SCALE 3=8         |             |
|  |          |           |      | .XXX                        | ±.005    |   | REF 028540        |             |
|  |          |           |      | .XXXX                       | ±.0005   | FMF   |                   |             |
| NO.  | REVISION | BY & DATE | CHK  | ANG                         | ±1/2'    | FINISH  | PREV              |             |
| THIS DRAWING IN DESIGN AND DETAIL IS OUR PROPERTY AND MUST NOT BE USED EXCEPT IN CONNECTION WITH OUR WORK ALL RIGHTS OF DESIGN AND INVENTION ARE RESERVED THIS IS AN ELECTRONICALLY GENERATED DOCUMENT - DO NOT SCALE THIS PRINT |          |           | RFP  | 9/12/05                     | CAD FILE | 028724  | SIZE              | DRAWING NO. |
|  |          |           | DIST | BRF-NLV                     |          |   | A                 | 028724      |
|  |          |           |      |                             |          |   |                   | REV.        |

005010-01

VIEW FROM OUTSIDE OF MOTOR AT SWITCH END.



| VOLTAGE | L1    | L2    | L3    | JOIN & INSULATE               |
|---------|-------|-------|-------|-------------------------------|
| HIGH    | T1    | T2    | T3    | (T4,T7)<br>(T5,T8)<br>(T6,T9) |
| LOW     | T1,T7 | T2,T8 | T3,T9 | T4,T5,T6                      |

|  |                       | TOLERANCES UNLESS SPECIFIED |          | REGAL™ Regal Beloit America, Inc.                         |              | DRAWN RDW 04/12/02 |                       |           |                          |           |
|--|-----------------------|-----------------------------|----------|---|--------------|--------------------|-----------------------|-----------|--------------------------|-----------|
|  |                       |                             |          |   |              | CHK                | APPD                  |           |                          |           |
|  |                       | DEC.                        | INCHES   | TITLE<br>EXTERNAL WIRING DIAGRAM<br>3 PHASE W/O PROTECTOR | SCALE 1=1    |                    |                       |           |                          |           |
|  |                       | .X                          | ±.1      |   | REF FIG.2-51 |                    |                       |           |                          |           |
|  |                       | .XX                         | ±.01     |   | FMF          |                    |                       |           |                          |           |
|  |                       | .XXX                        | ±.005    |   | PREV         |                    |                       |           |                          |           |
| A  | UPDATED TO REGAL LOGO | SAJ                         | 06/26/15 | AJY   | .XXXX        | ±.0005             | MAT'L. DECAL - 004014 |           |                          |           |
| NO.  | REVISION              | BY & DATE                   | CHK      | ANG   | ±1/2"        | FINISH             |                       |           |                          |           |
| THIS DRAWING IN DESIGN AND DETAIL IS OUR PROPERTY AND MUST NOT BE USED EXCEPT IN CONNECTION WITH OUR WORK ALL RIGHTS OF DESIGN AND INVENTION ARE RESERVED THIS IS AN ELECTRONICALLY GENERATED DOCUMENT - DO NOT SCALE THIS PRINT |                       |                             |          | RFP   | 04/12/02     | CAD FILE           | 00501001              | SIZE<br>A | DRAWING NO.<br>005010-01 | REV.<br>A |
|  |                       |                             |          | DIST  | BRF-NLV      |                    |                       |           |                          |           |

