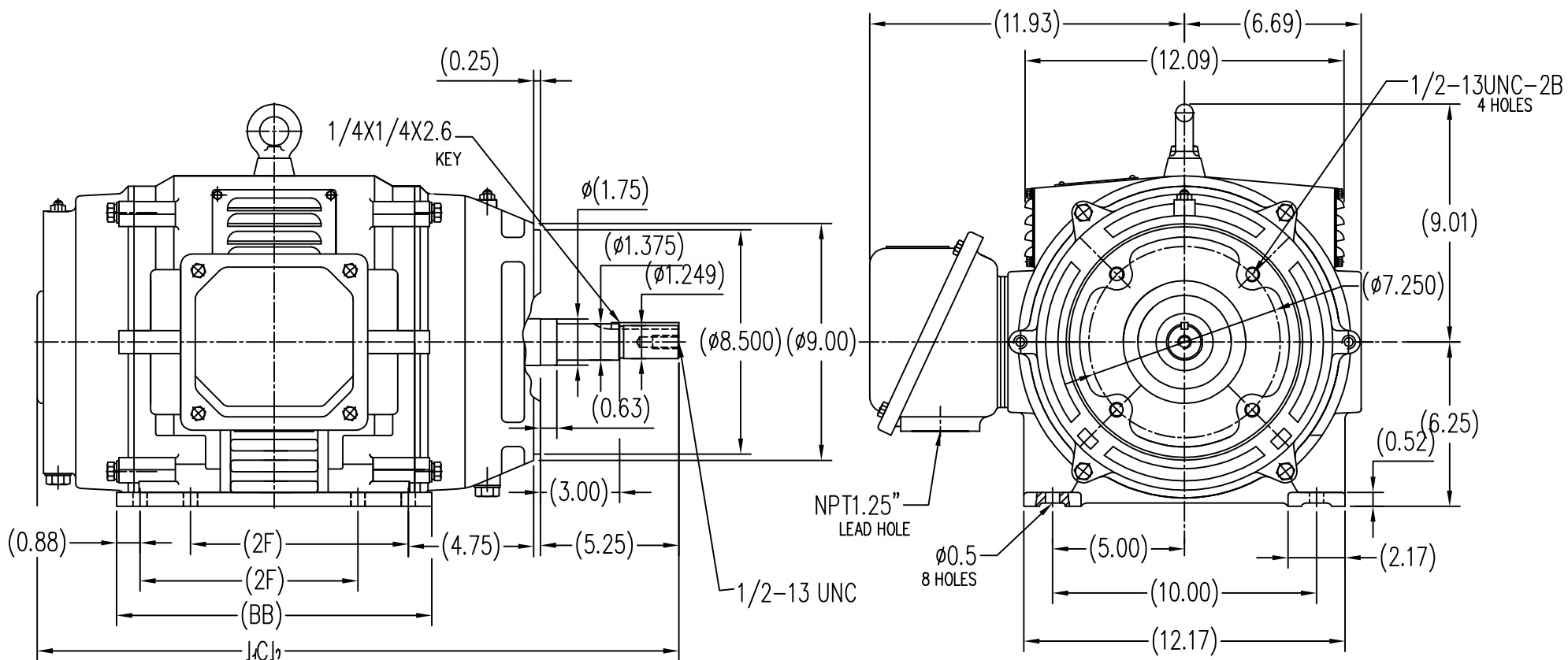


SS620313



254T	8.25	12.00	24.41
256T	10.00	13.59	25.99
FRAME	2F	BB	C

TOLERANCES UNLESS SPECIFIED		REGAL-BELOIT CORPORATION		DRAWN ZYH 6-8-2010	
DEC.	INCHES	CHK	HZJ 6-8-2010	APPD	CL 6-8-2010
.X	±.1	TITLE	OUTLINE	SCALE	1=6
.XX	±.03	254/256T FR-JM-CAST IRON		REF	
.XXX	±.005	MAT'L.		FMF	HWADA
.XXXX	±.0005	FINISH		PREV	
ND.	REVISION	BY & DATE	CHK	ANG	±1/2
THIS DRAWING IN DESIGN AND DETAIL IS OUR PROPERTY AND MUST NOT BE USED EXCEPT IN CONNECTION WITH OUR WORK. ALL RIGHTS OF DESIGN AND INVENTION ARE RESERVED. THIS IS AN ELECTRONICALLY GENERATED DOCUMENT - DO NOT SCALE THIS PRINT			RFP	CAD FILE	JM 254-256
			DIST	SIZE	B
			DRAWING NO.		SS620313
			REV.		